

**AT-121-3 43007360651 UPPER,LOWER,TOYOTA TKG-XZU600H-TKTQC6**

**PB0000276-02 UPPER STRUCTURE SYSTEM**

**PB0000500-02 LOWER STRUCTURE SYSTEM**

**ASSEMBLY**

CLICK HERE TO **DOWNLOAD** THE COMPLETE MANUAL

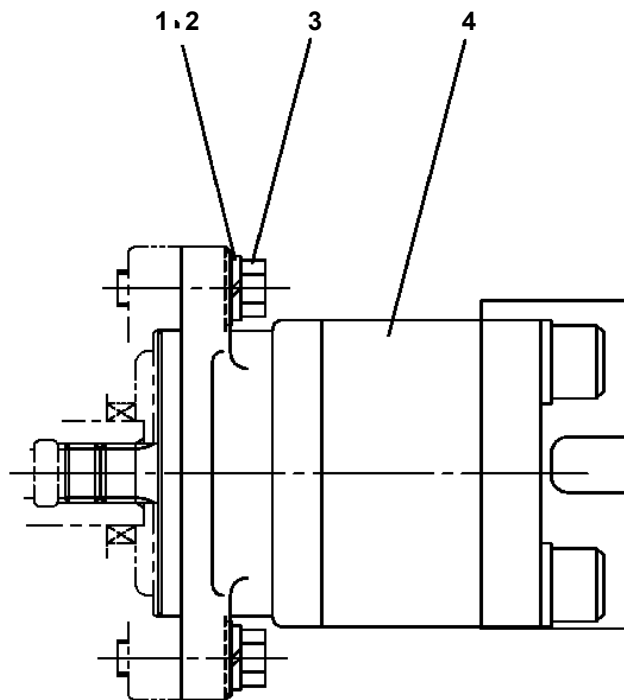
- Thank you very much for reading the preview of the manual.
- You can download the complete manual from: [www.heydownloads.com](http://www.heydownloads.com) by clicking the link below



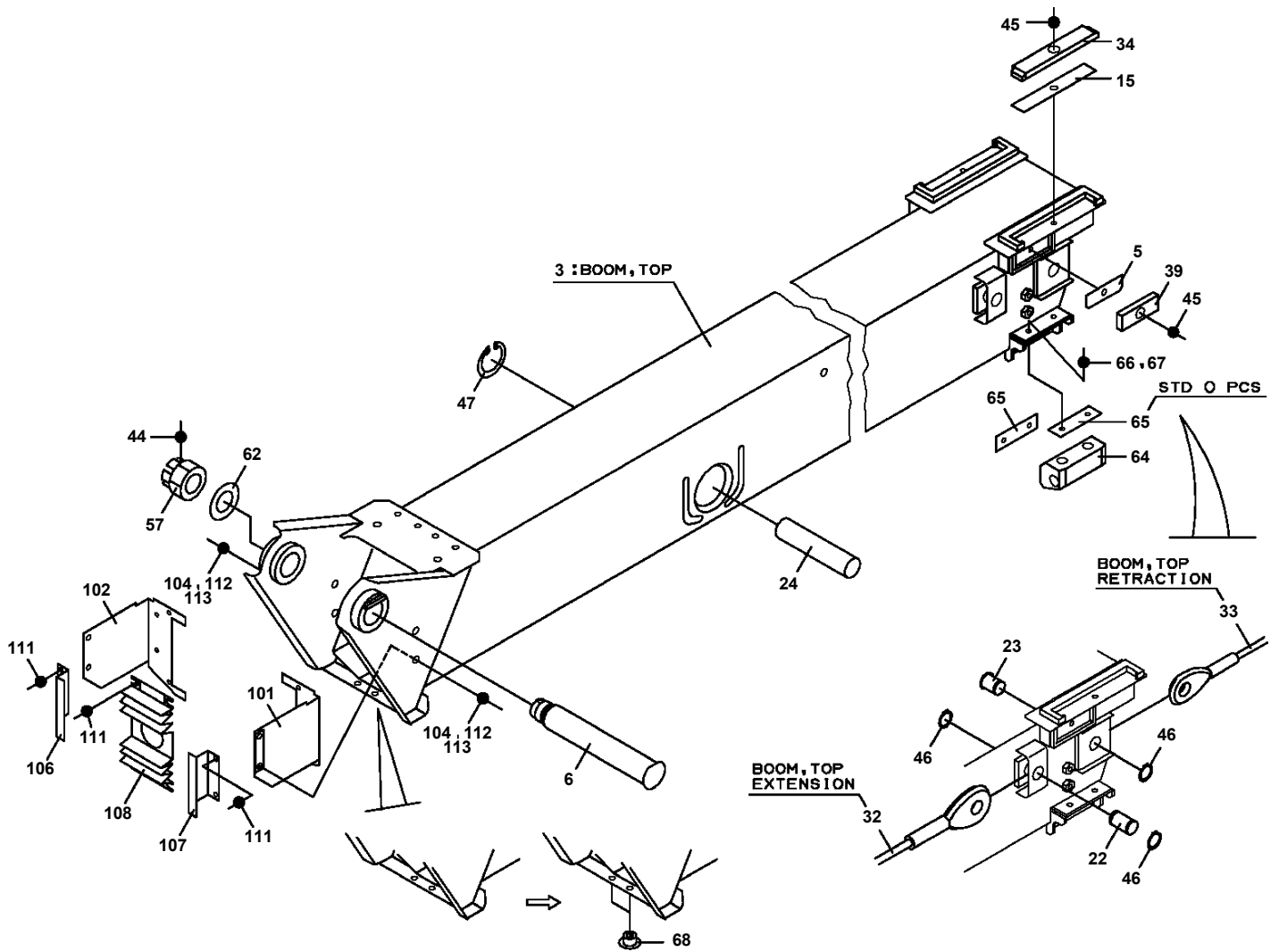
- Please note: If there is no response to CLICKING the link, please download this PDF first and then click on it.

CLICK HERE TO **DOWNLOAD** THE COMPLETE MANUAL

**AT-121-3 43007360651 UPPER,LOWER,TOYOTA TKG-XZU600H-TKTQC6  
PB1110007-01 PUMP INSTALLATION**



AT-121-3 43007360651 UPPER,LOWER,TOYOTA TKG-XZU600H-TKTQC6  
PB5190045-03 BOOM ASSY



**AT-121-3 43007360651 UPPER,LOWER,TOYOTA TKG-XZU600H-TKTQC6**

Pos No.	Parts No	Parts Name	Qty	Unit	Technical Data	Serial No (Start)	Serial No (End)	Remarks	P
100	36172650000	CONTROLLER (GSMT)	1						

**AT-121-3 43007360651 UPPER,LOWER,TOYOTA TKG-XZU600H-TKTQC6**

Pos No.	Parts No	Parts Name	Qty	Unit	Technical Data	Serial No (Start)	Serial No (End)	Remarks	Pages
1	42507960100	COVER	1						
2	42500160201	COVER	1						
3	90101208080	BOLT	2		M8X80				
4	37000506550	PLATE	2		T=1.6				
5	91810130270	FASTENER	10						

**AT-121-3 43007360651 UPPER,LOWER,TOYOTA TKG-XZU600H-TKTQC6**

Pos No.	Parts No	Parts Name	Qty	Unit	Technical Data	Serial No (Start)	Serial No (End)	Remarks
10	42515540000	COVER ASSY (FRP BUCKET)	1					

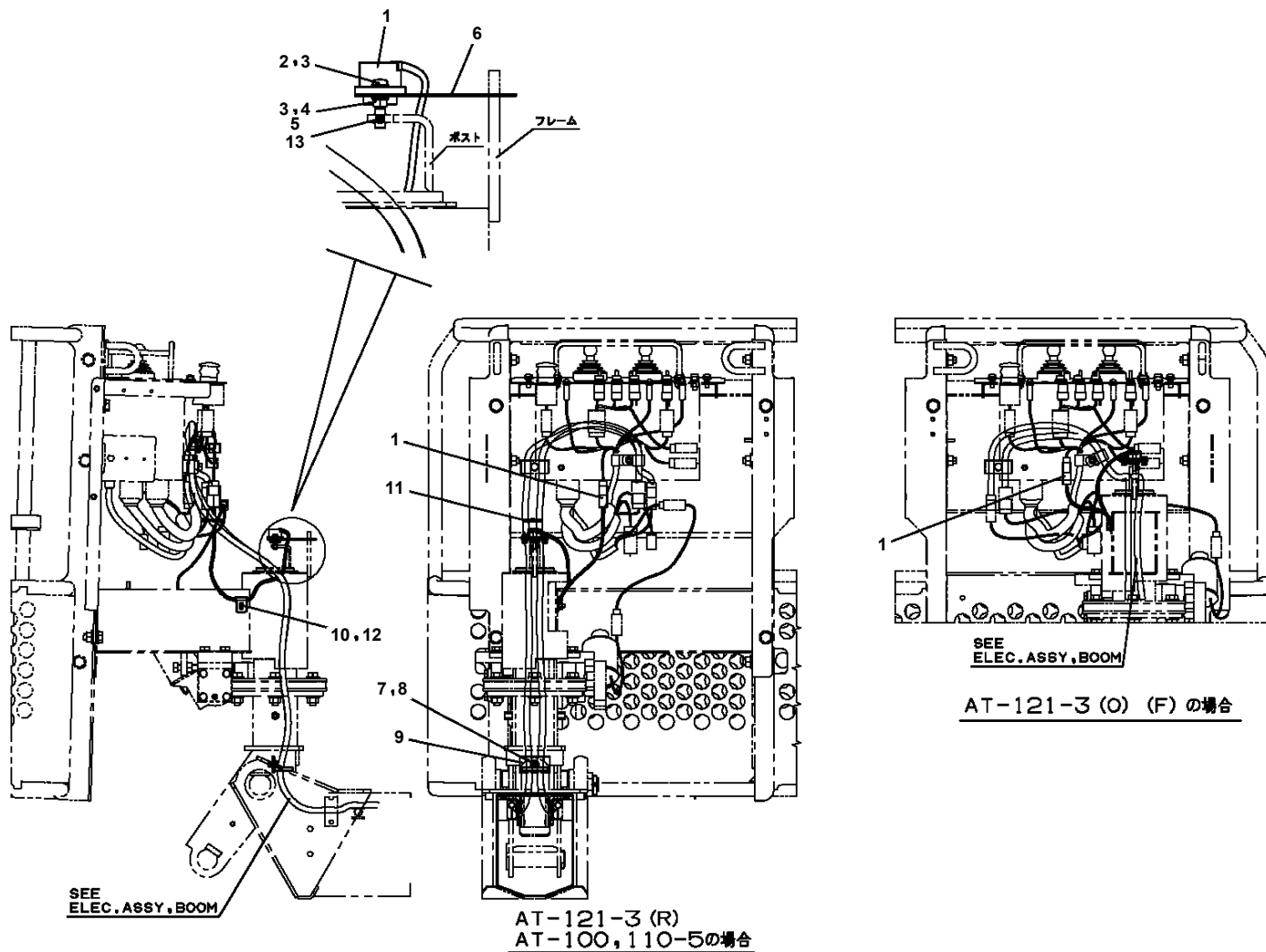
**AT-121-3 43007360651 UPPER,LOWER,TOYOTA TKG-XZU600H-TKTQC6**

Pos No.	Parts No	Parts Name	Qty	Unit	Technical Data	Serial No (Start)	Serial No (End)
2	31300070010	BOLT	19		M20X80		
3	37001505940	BOLT	10		M18X60		
4	90171116040	BOLT	4		M16X40		
5	90302041601	WASHER,SPRING	4		16		
6	36081610000	REDUCER,SWING SPEED	1				
7	91001208500	O-RING	1		1A G85		
8	90174112035	BOLT	2		M12X35		
9	90302041201	WASHER,SPRING	2		12		
10	36664070000	MOTOR,OIL	1				
31	37002304190	BEARING,SWING (NIHON MONORACE)	1				
32	37002304160	BEARING,SWING (NTN TO ROBHALLO)	1				

**AT-121-3 43007360651 UPPER,LOWER,TOYOTA TKG-XZU600H-TKTQC6**

Pos No.	Parts No	Parts Name	Qty	Unit	Technical Data	Serial No (Start)	Serial No (End)	Remark
1	36027510000	CYLINDER ASSY,LEVELING	1					
2	36624110000	VALVE,CHECK	1					
3	90180210050	BOLT,BUTTON	4		M10X50			

**AT-121-3 43007360651 UPPER,LOWER,TOYOTA TKG-XZU600H-TKTQC6  
PE5060027-01 ELEC.ASSY,BUCKET**



**AT-121-3 43007360651 UPPER,LOWER,TOYOTA TKG-XZU600H-TKTQC6**

Pos No.	Parts No	Parts Name	Qty	Unit	Technical Data	Serial No (Start)	Serial No (End)	Remarks	Pages
1	42357570101	COVER	1						
2	90101208014	BOLT	3		M8X14				
3	90303070801	WASHER,PLAIN	5		8				
4	90302040801	WASHER,SPRING	4		8				
5	90201200800	NUT	1		M8				
6	91850400601	CLAMP	1						
7	91810132530	FASTENER	10						
8	82100002011	CLAMP	3		WRC15				
9	82100002052	CLAMP	2						
10	90201200600	NUT	2		M6				
11	90302040601	WASHER,SPRING	2		6				
14	90102206018	BOLT	3		M6X18				
16	91850400801	CLAMP	1						

# AT-121-3 43007360651 UPPER,LOWER,TOYOTA TKG-XZU600H-TKTQC6

Pos No.	Parts No	Parts Name	Qty	Unit	Technical Data	Serial No (Start)	Serial No (End)
1	36132400001	DETECTOR ASSY,LENGTH (BOOM)	1				
2	42350071000	ROLLER ASSY	1				
3	42353100600	ROLLER ASSY	1				
4	90303070601	WASHER,PLAIN	1		6		
5	80620210060	PIN,SNAP	1				
6	91810132530	FASTENER	2				
7	90180206016	BOLT,BUTTON	4		M6X16		
8	90302040601	WASHER,SPRING	4		6		
10	89630101000	HOSE,VINYL	1		4X6,1M		
31	42360030040	SUPPORT	1				
32	37001102350	ROLLER	2				
33	37000302060	SPACER	2		L=11.2		
35	90201201000	NUT	2		M10		
36	90302041001	WASHER,SPRING	2		10		
37	90303071001	WASHER,PLAIN	2		10		
41	42351120200	SUPPORT	1				

**AT-121-3 43007360651 UPPER,LOWER,TOYOTA TKG-XZU600H-TKTQC6**

Pos No.	Parts No	Parts Name	Qty	Unit	Technical Data	Serial No (Start)	Serial No (End)
1	36198620000	AUTOMATIC MOTION CONTROLLER	1				

**AT-121-3 43007360651 UPPER,LOWER,TOYOTA TKG-XZU600H-TKTQC6**

Pos No.	Parts No	Parts Name	Qty	Unit	Technical Data	Serial No (Start)	Serial No (End)	Remarks	Pages
100	42973180010	HARNESS	1						

**AT-121-3 43007360651 UPPER,LOWER,TOYOTA TKG-XZU600H-TKTQC6**

Pos No.	Parts No	Parts Name	Qty	Unit	Technical Data	Serial No (Start)	Serial No (End)	Remarks	Pages
100	42356280010	HARNESS	1						

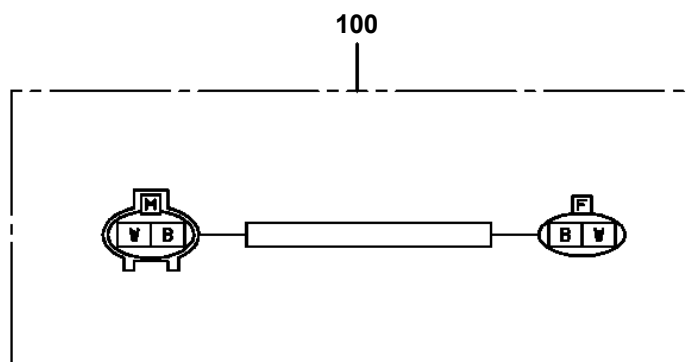
**AT-121-3 43007360651 UPPER,LOWER,TOYOTA TKG-XZU600H-TKTQC6**

Pos No.	Parts No	Parts Name	Qty	Unit	Technical Data	Serial No (Start)	Serial No (End)	Remarks	Pages
100	42512391100	HARNESS	1						

**AT-121-3 43007360651 UPPER,LOWER,TOYOTA TKG-XZU600H-TKTQC6**

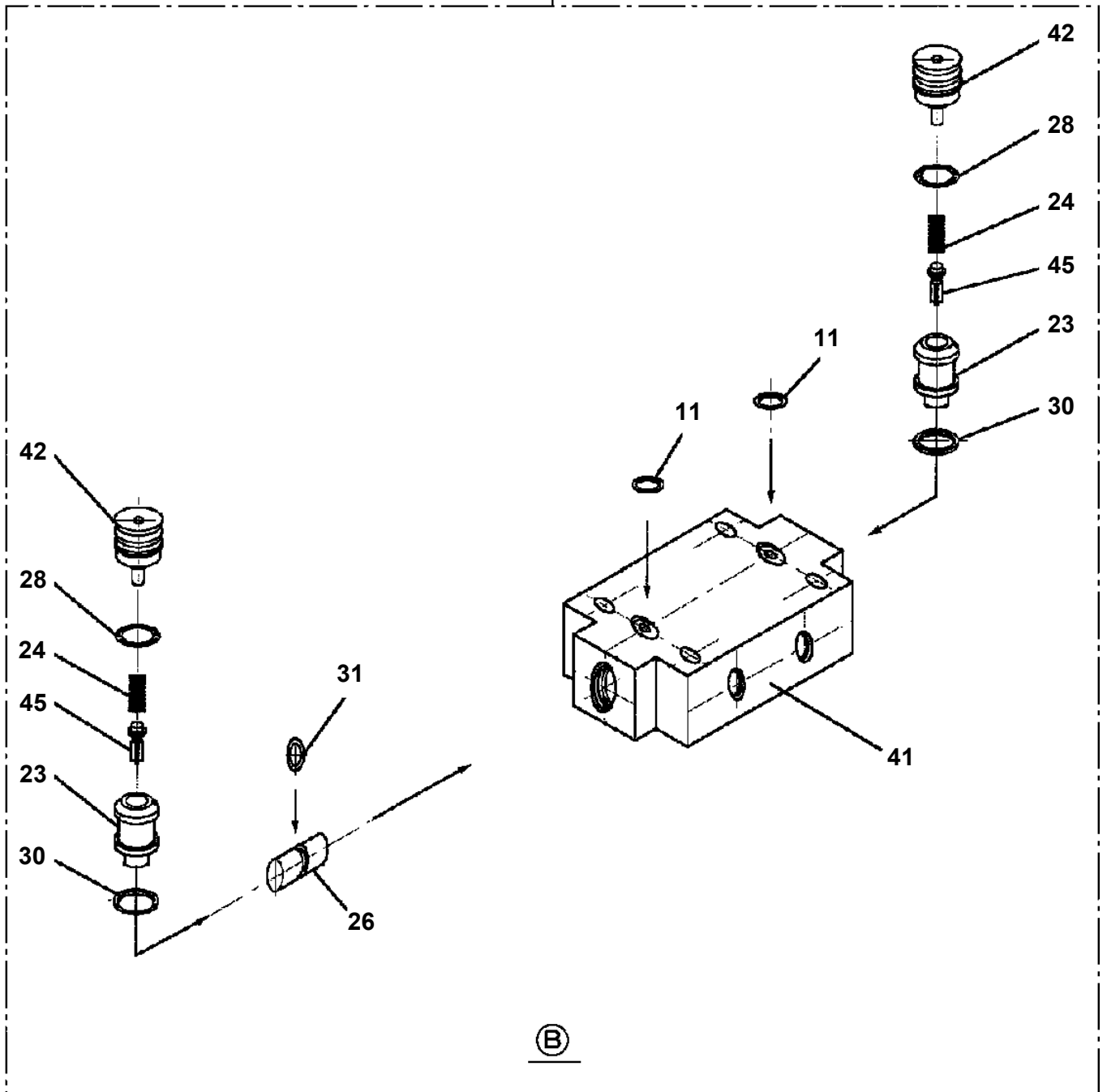
Pos No.	Parts No	Parts Name	Qty	Unit	Technical Data	Serial No (Start)	Serial No (End)	Remarks	Page
1	82182819823	DIODE	2		1.5A				
2	82182819834	DIODE	1		1.5A				
100	42655330103	HARNESS (FRAME)	1						

AT-121-3 43007360651 UPPER,LOWER,TOYOTA TKG-XZU600H-TKTQC6  
PH5034171-00 HARNESS



AT-121-3 43007360651 UPPER,LOWER,TOYOTA TKG-XZU600H-TKTQC6  
PI1140133-01 VALVE,CHECK

100



(B)

CLICK HERE TO **DOWNLOAD** THE COMPLETE MANUAL

- Thank you very much for reading the preview of the manual.
- You can download the complete manual from: [www.heydownloads.com](http://www.heydownloads.com) by clicking the link below

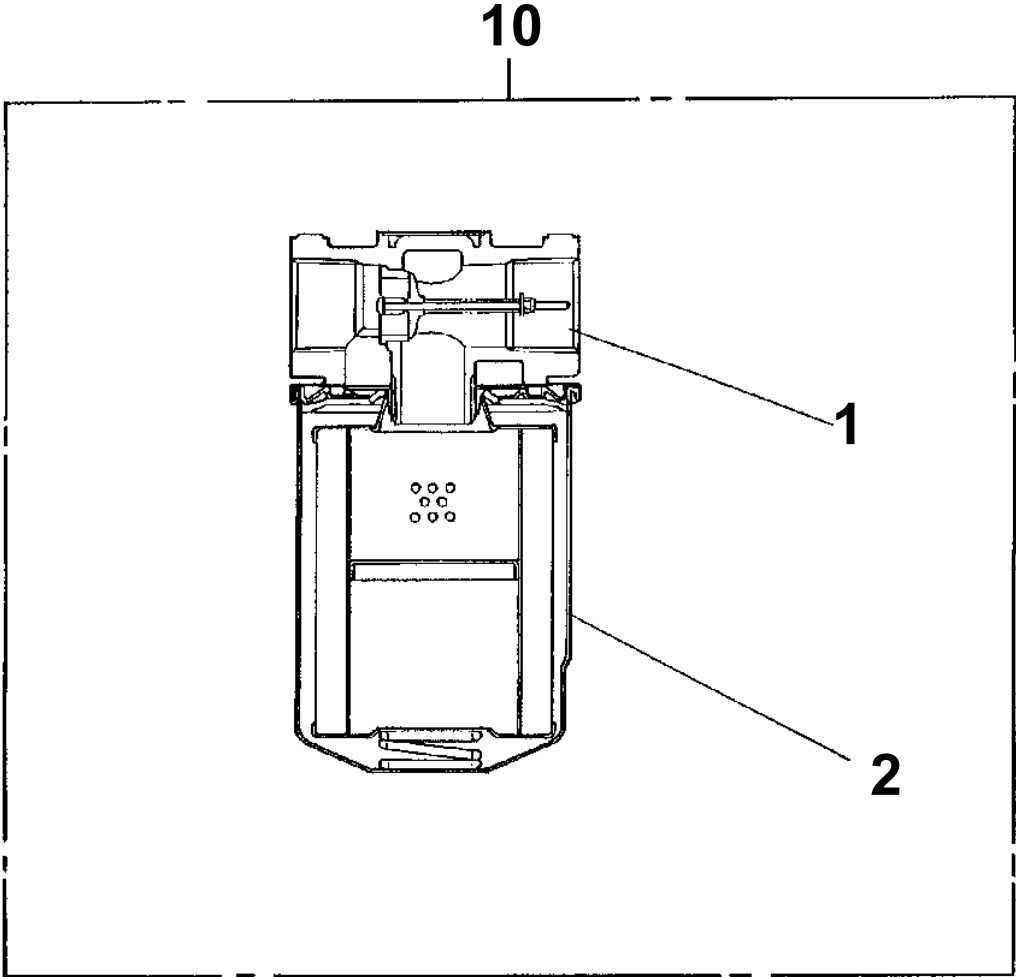


- Please note: If there is no response to CLICKING the link, please download this PDF first and then click on it.

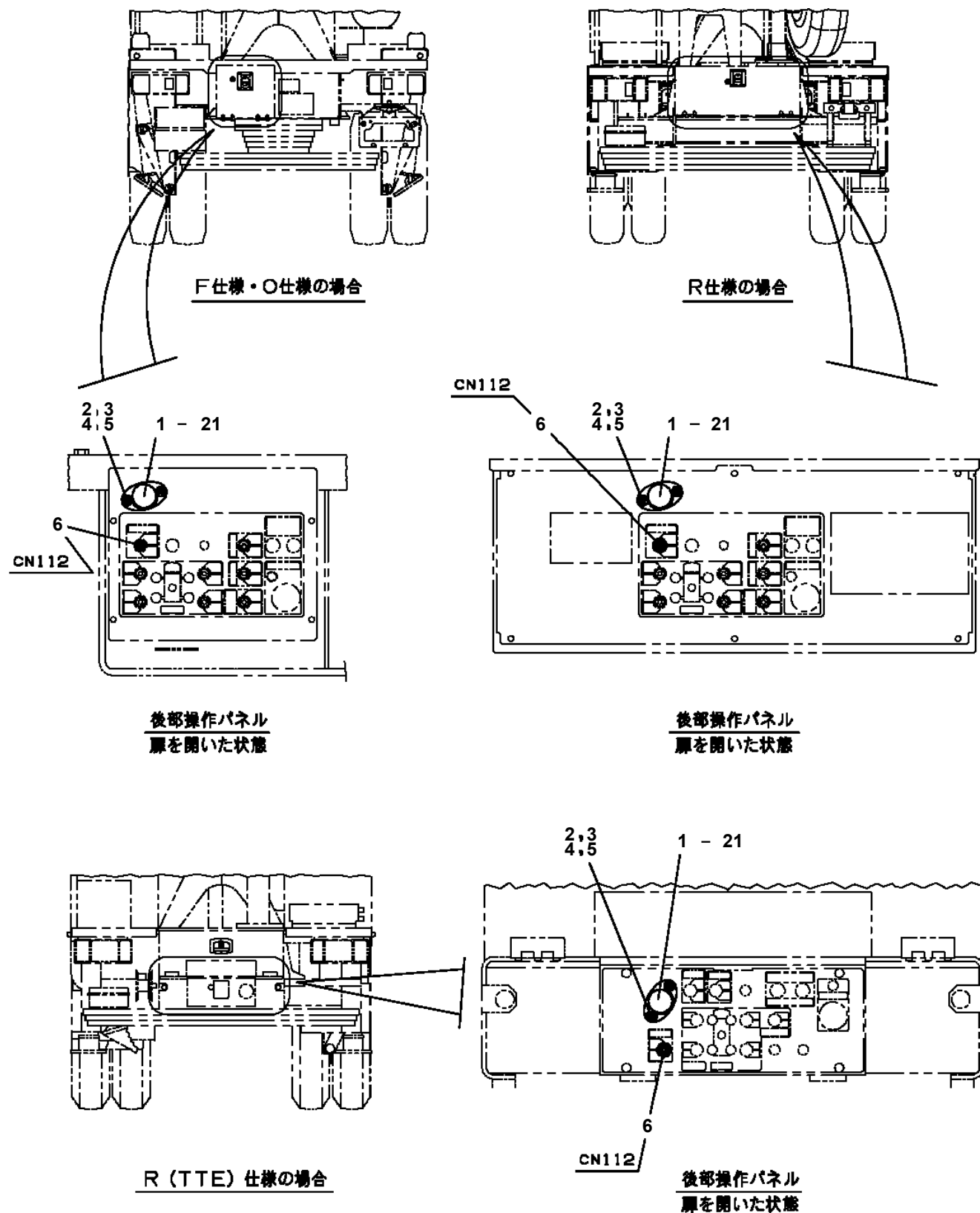
CLICK HERE TO **DOWNLOAD** THE COMPLETE MANUAL

AT-121-3 43007360651 UPPER,LOWER,TOYOTA TKG-XZU600H-TKTQC6  
PI1300061-02 FILTER,OIL (YAMASHIN)

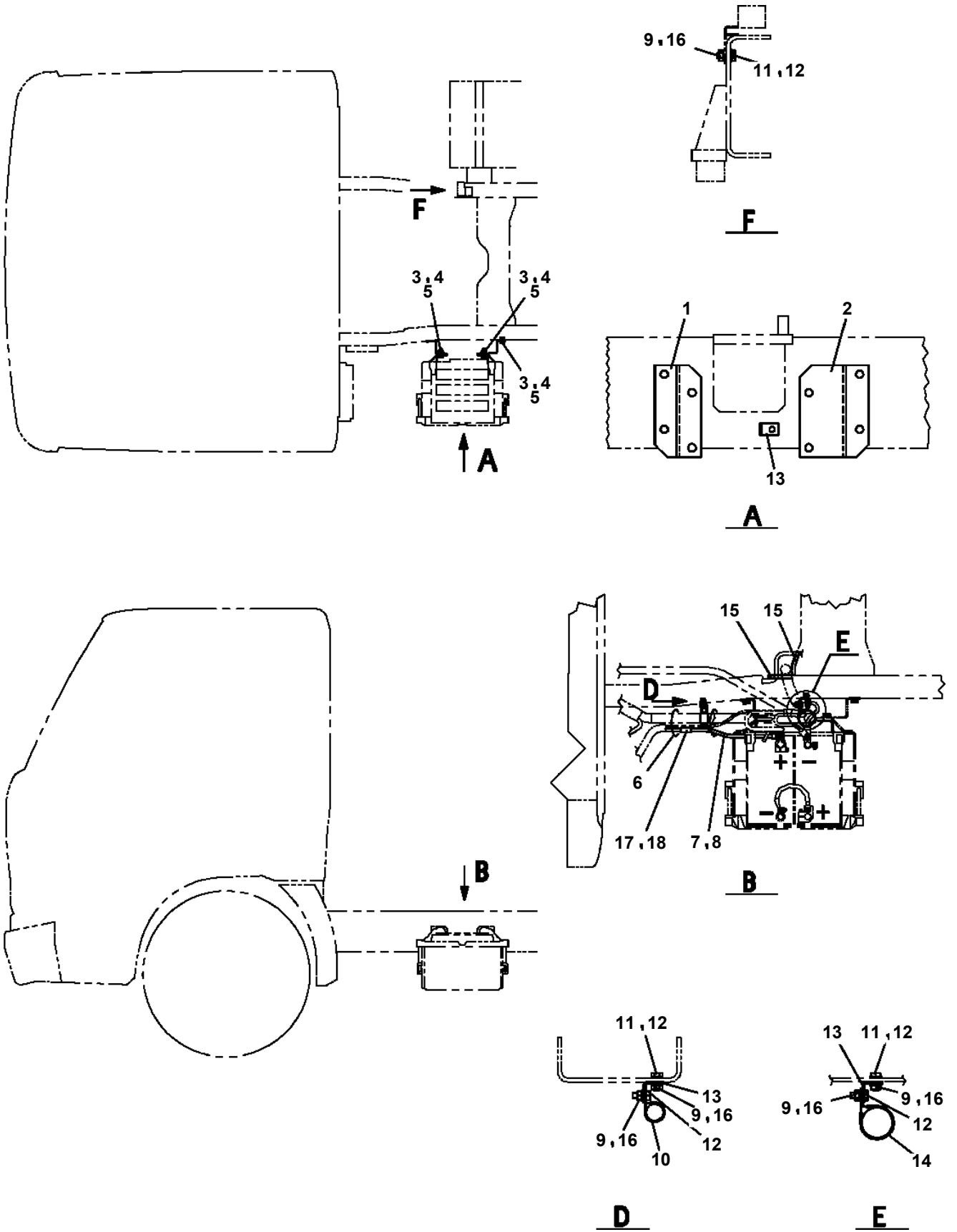
Assembly Name FILTER, OIL



AT-121-3 43007360651 UPPER,LOWER,TOYOTA TKG-XZU600H-TKTQC6  
 PL5020050-01 LAMP ASSY (LOWER O/R OPERATION)



**AT-121-3 43007360651 UPPER,LOWER,TOYOTA TKG-XZU600H-TKTQC6  
PM5150287-00 MODIFICATION ASSY**



**AT-121-3 43007360651 UPPER,LOWER,TOYOTA TKG-XZU600H-TKTQC6**

Pos No.	Parts No	Parts Name	Qty	Unit	Technical Data	Serial No (Start)	Serial No
1	82105221286	SWITCH,TOGGLE	3				
30	42354541400	SWITCH ASSY (WITH HARNESS,3 SWITCH)	1				

**AT-121-3 43007360651 UPPER,LOWER,TOYOTA TKG-XZU600H-TKTQC6**

Pos No.	Parts No	Parts Name	Qty	Unit	Technical Data	Serial No (Start)	Serial No (End)	Remarks	P
1	42509450100	PLATE,NAME (UNDERS)	2						

**AT-121-3 43007360651 UPPER,LOWER,TOYOTA TKG-XZU600H-TKTQC6**

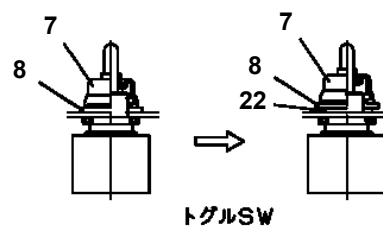
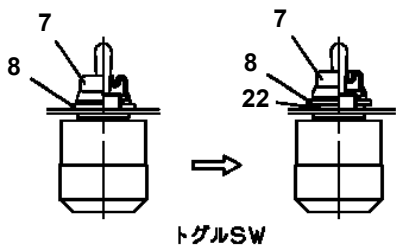
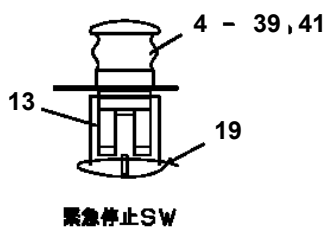
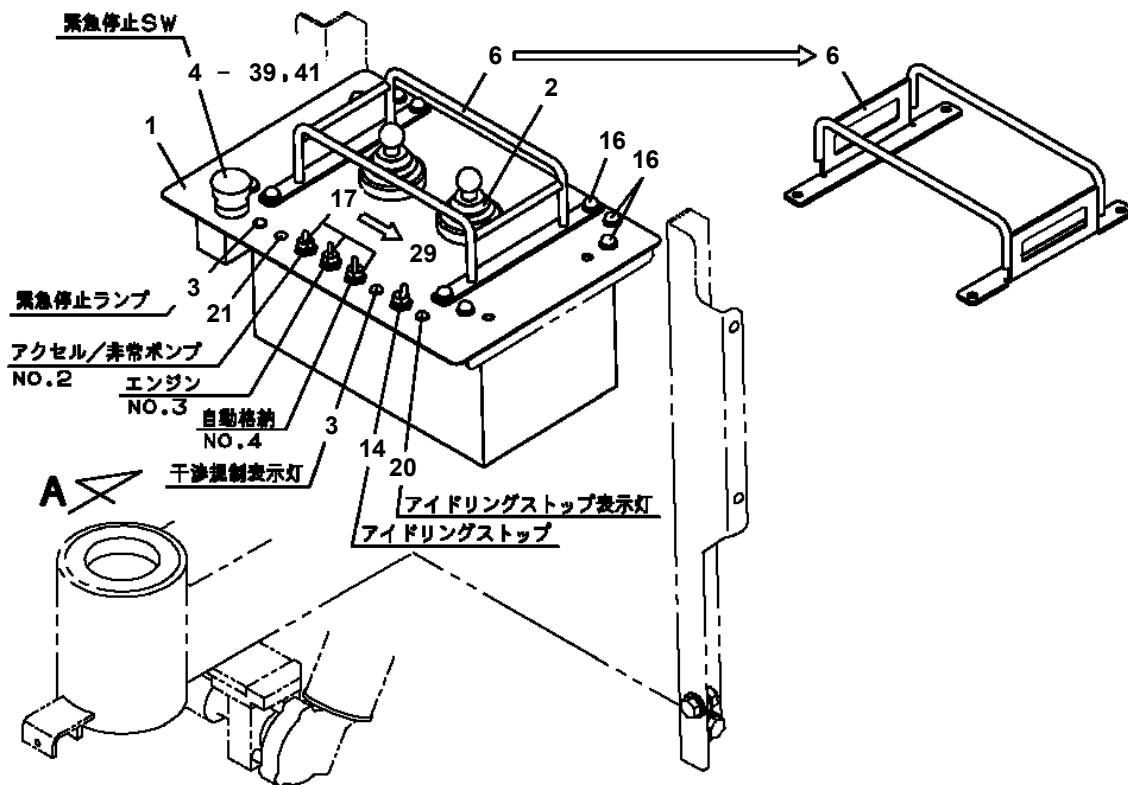
Pos No.	Parts No	Parts Name	Qty	Unit	Technical Data	Serial No (Start)	Serial No (End)	Remarks	Pages
1	42511920100	PLATE (NON-SLIP)	4						
2	42511810300	PLATE (NON-SLIP)	3						
3	42511990100	PLATE (NON-SLIP)	2						
4	42511940200	PLATE (NON-SLIP)	3						
5	42511810400	PLATE (NON-SLIP)	1						

AT-121-3 43007360651 UPPER,LOWER,TOYOTA TKG-XZU600H-TKTQC6  
PO1000183-00 INDICATION PLATES (LOWER)

メイパ ン (カブ )  
INDICATION PLATES (LOWER)

〔組立名称一覧〕より選択してください。  
SEE THE CORRESPONDING "ASSEMBLY NAME" LIST.

AT-121-3 43007360651 UPPER,LOWER,TOYOTA TKG-XZU600H-TKTQC6  
 PO5050035-03 OPE.ASSY,BUCKET



14 : アイドリングストップ  
 17 : アクセル/非常ポンプ (NO.2)

↓  
 29

17 : エンジン (NO.3)  
 自動格納 (NO.4)

↓  
 29

**AT-121-3 43007360651 UPPER,LOWER,TOYOTA TKG-XZU600H-TKTQC6**

Pos No.	Parts No	Parts Name	Qty	Unit	Technical Data	Serial No (Start)	Serial No (End)	Remark
108	42614770500	COVER	1					
109	90186206010	BOLT,FLANGE	6		M6X10			
110	42614770600	COVER	1					
111	90303070401	WASHER,PLAIN	4		4			

**AT-121-3 43007360651 UPPER,LOWER,TOYOTA TKG-XZU600H-TKTQC6**

Pos No.	Parts No	Parts Name	Qty	Unit	Technical Data	Serial No (Start)	Serial No (End)	Remarks	Pa
132	80302090201	FITTING	1		KCO15-040N				
151	42649601101	JOINT	1						
154	80303130141	FITTING,ELBOW	1		KLO12-020E				

# AT-121-3 43007360651 UPPER,LOWER,TOYOTA TKG-XZU600H-TKTQC6

Pos No.	Parts No	Parts Name	Qty	Unit	Technical Data	Serial No (Start)	Serial No (End)	Remarks
1	82108501210	SWITCH	1					
2	34354781710	RELAY (WITH BRACKET)	1					
3	90186206010	BOLT,FLANGE	4		M6X10			
4	90162160200	U-BOLT	3		M10			
5	90202201000	NUT	6		M10			
6	90240201000	NUT,CAP	6		M10			
7	83152310608	SHACKLE	2					
8	90101206030	BOLT	2		M6X30			
9	90203200600	NUT	2		M6			
10	90102208055	BOLT	2		M8X55			
11	90202200800	NUT	2		M8			
12	90101208018	BOLT	2		M8X18			
13	90302040801	WASHER,SPRING	4		8			
14	90303070801	WASHER,PLAIN	2		8			
15	90101208014	BOLT	2		M8X14			
16	42510370100	SUPPORT	1					
17	42510370900	ROPE,WIRE	1					
18	42510370300	SUPPORT	1					
19	42510370400	COVER	1					
20	42510370500	COVER	1					
21	42510370600	HARNESS	1					
22	91810130240	FASTENER	5					
23	42510371000	GUIDE ASSY	1					
24	42510372000	SUPPORT	1					
25	90101206016	BOLT	1		M6X16			
26	90302040601	WASHER,SPRING	2		6			
27	90201200600	NUT	2		M6			
28	82100002006	CLAMP	1		WR10			
29	42477840010	PLATE,NAME	1					
30	90101206020	BOLT	1		M6X20			
51	42510371100	GUIDE,BLOCK	1					
52	42510371200	PIN	1					
53	44430561500	GUIDE	1					
54	37001201400	SPRING	1					
55	90172106040	BOLT,HEXAGON SOCKET	2		M6X40			

# AT-121-3 43007360651 UPPER,LOWER,TOYOTA TKG-XZU600H-TKTQC6

Pos No.	Parts No	Parts Name	Qty	Unit	Technical Data	Serial No (Start)	Serial No
1	42900001200	COVER	1				
2	91810130240	FASTENER	1				
3	42354541200	SWITCH ASSY (WITH HARNESS,1 SW)	2				
4	42353952100	SWITCH ASSY (WITH HARNESS)	1				
5	42354541400	SWITCH ASSY (WITH HARNESS,3 SWITCH)	1				
6	90303070301	WASHER,PLAIN	2		3		
7	42809631200	LAMP ASSY (RED,WITH HARNESS)	1				
8	42353950100	SWITCH ASSY (WITH HARNESS)	1				
9	82154201010	METER,HOUR	1				
10	80172303010	SCREW,MACHINE	2		M3X10		
11	90302040301	WASHER,SPRING	2		3		
12	42355641100	SWITCH ASSY	1				
13	82467300104	PLUG	1				
37	42355641010	COVER	1				
51	42355641210	BUTTON	1				
100	42655333000	SWITCH ASSY	1				

**AT-121-3 43007360651 UPPER,LOWER,TOYOTA TKG-XZU600H-TKTQC6**

Pos No.	Parts No	Parts Name	Qty	Unit	Technical Data	Serial No (Start)	Serial No (End)	Remarks	Pages
1	42503380000	CABLE (3 POLE)	1						

# AT-121-3 43007360651 UPPER,LOWER,TOYOTA TKG-XZU600H-TKTQC6

Pos No.	Parts No	Parts Name	Qty	Unit	Technical Data	Serial No (Start)	Serial No (End)	Remarks
1	90101208016	BOLT	2		M8X16			
	90101208016	BOLT	2		M8X16			
2	90302040801	WASHER,SPRING	2		8			
	90302040801	WASHER,SPRING	2		8			
3	36630910061	NEEDLE	1				HJ4303	
	36630910062	NEEDLE	1			HJ4304		
	36630910062	NEEDLE	1			HJ4304		
4	36630910031	HOLDER	1					
	36630910031	HOLDER	1					
5	91002801000	O-RING	1		1B P10			
	91002801000	O-RING	1		1B P10			
6	91410001000	RING,BACKUP	1		P10			
	91410001000	RING,BACKUP	1		P10			
7	36636340010	BODY	1					
	36636340010	BODY	1					
8	52255101000	SPRING	1					
	52255101000	SPRING	1					
9	36630910050	POPPET	1					
	36630910050	POPPET	1					
10	91002801400	O-RING	1		1B P14			
	91002801400	O-RING	1		1B P14			
11	36620030050	PLUG	1					
	36620030050	PLUG	1					
12	82400000350	KNOB	1					
	82400000350	KNOB	1					
13	37000508510	PLATE	1					
	37000508510	PLATE	1					
14	80172303006	SCREW,MACHINE	1		M3X6			
	80172303006	SCREW,MACHINE	1		M3X6			
15	91002800800	O-RING	1		1B P8			
	91002800800	O-RING	1		1B P8			
100	36636340001	VALVE ASSY,SELECTOR	1					
	36636340001	VALVE ASSY,SELECTOR	1					

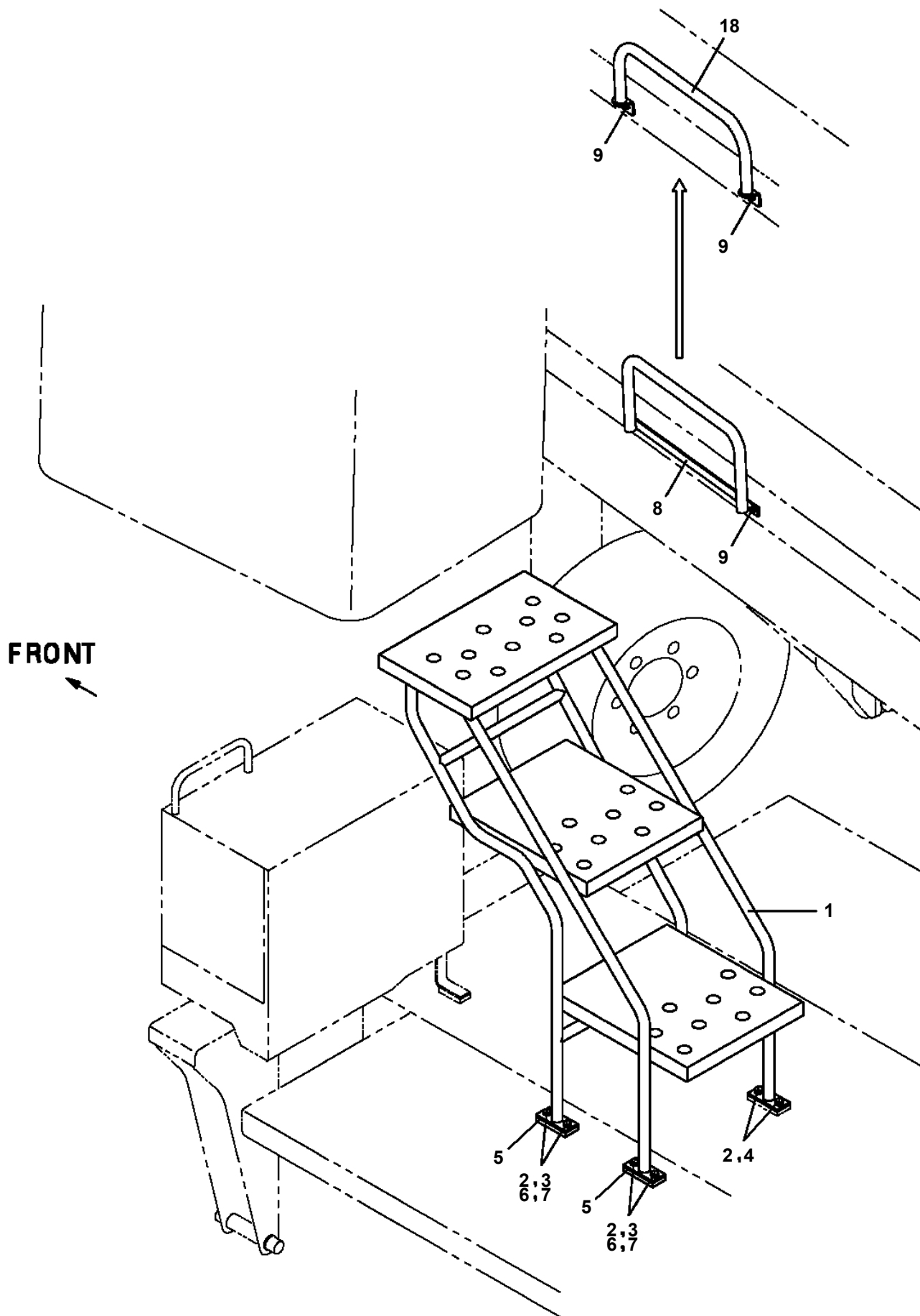
**AT-121-3 43007360651 UPPER,LOWER,TOYOTA TKG-XZU600H-TKTQC6**

Pos No.	Parts No	Parts Name	Qty	Unit	Technical Data	Serial No (Start)	Serial No (End)	Remarks	Pages
1	42890034000	BLOCK,WOOD	1		W=350,H=80				

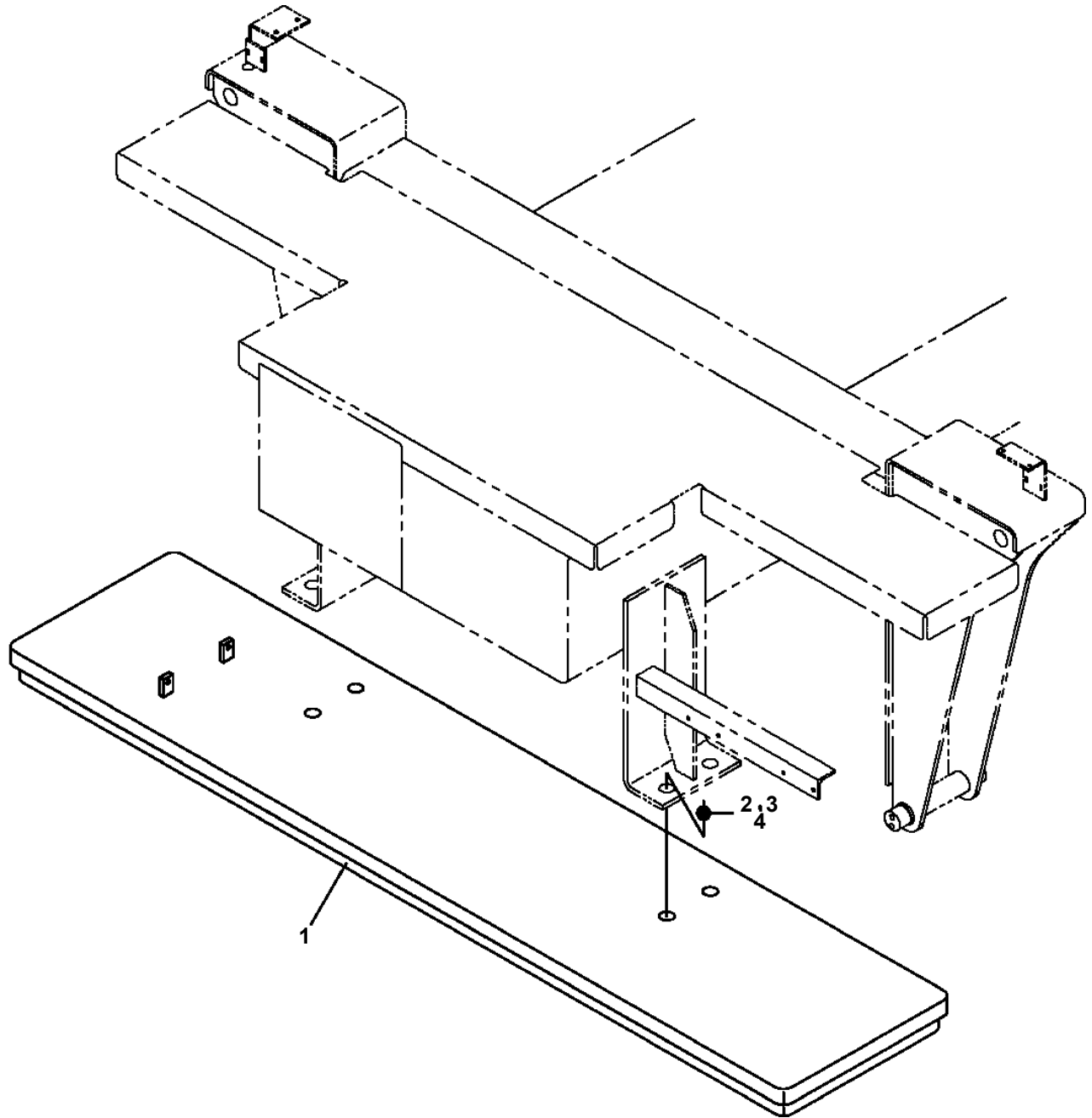
**AT-121-3 43007360651 UPPER,LOWER,TOYOTA TKG-XZU600H-TKTQC6**

Pos No.	Parts No	Parts Name	Qty	Unit	Technical Data	Serial No (Start)	Serial No (End)	Remarks	Pages
1	42443930100	COVER	1						
2	42444110100	COVER	1						
3	90101208014	BOLT	14		M8X14				
4	37000553000	PLATE	14						
5	90302040801	WASHER,SPRING	14		8				
6	82121800010	PLUG (OTUKA)	5						
7	42442790403	COVER	1						

AT-121-3 43007360651 UPPER,LOWER,TOYOTA TKG-XZU600H-TKTQC6  
PX5670011-01 MOUNT ASSY,STEP



AT-121-3 43007360651 UPPER,LOWER,TOYOTA TKG-XZU600H-TKTQC6  
PX5820064-00 MOUNT ASSY,WEIGHT



CLICK HERE TO **DOWNLOAD** THE COMPLETE MANUAL

- Thank you very much for reading the preview of the manual.
- You can download the complete manual from: [www.heydownloads.com](http://www.heydownloads.com) by clicking the link below



- Please note: If there is no response to CLICKING the link, please download this PDF first and then click on it.

CLICK HERE TO **DOWNLOAD** THE COMPLETE MANUAL