

AT-121-3 43007341021 UPPER,LOWER,ISUZU TKG-NKR85AN-EE5AHY-JD

PB0000276-02 UPPER STRUCTURE SYSTEM

PB0000500-02 LOWER STRUCTURE SYSTEM

ASSEMBLY

CLICK HERE TO **DOWNLOAD** THE COMPLETE MANUAL

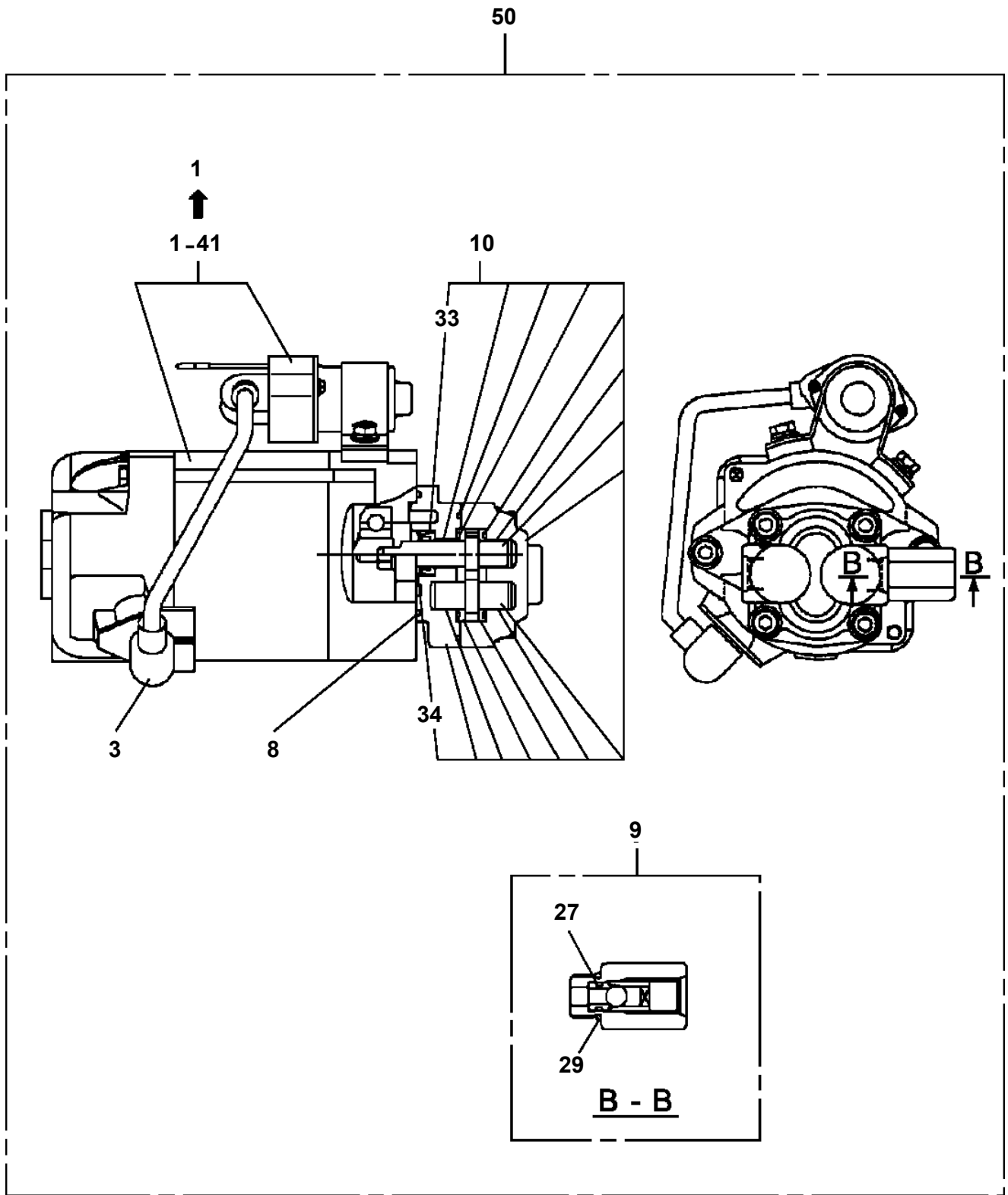
- Thank you very much for reading the preview of the manual.
- You can download the complete manual from: www.heydownloads.com by clicking the link below



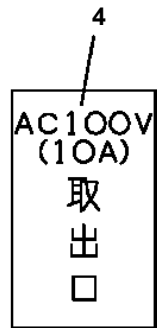
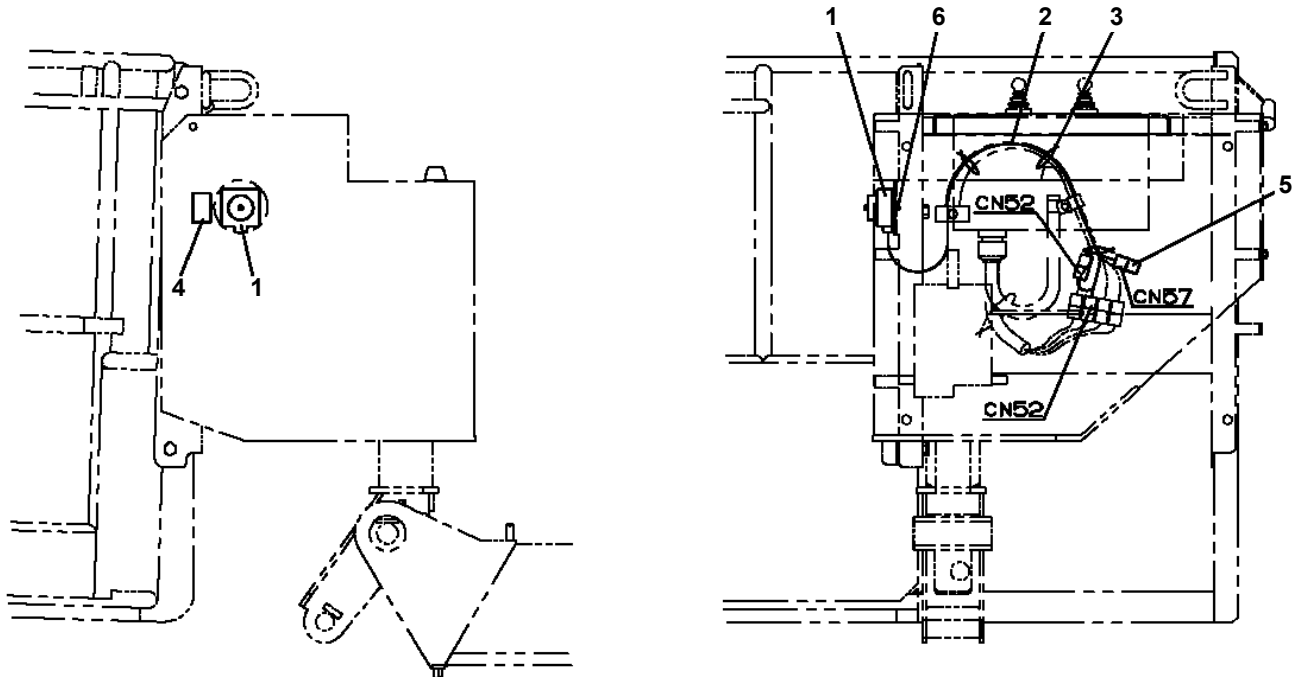
- Please note: If there is no response to CLICKING the link, please download this PDF first and then click on it.

CLICK HERE TO **DOWNLOAD** THE COMPLETE MANUAL

AT-121-3 43007341021 UPPER,LOWER,ISUZU TKG-NKR85AN-EE5AHY-JD
PB1100101-02 PUMP,HYDRAULIC (EMERGENCY)



AT-121-3 43007341021 UPPER,LOWER,ISUZU TKG-NKR85AN-EE5AHY-JD
PB1380283-01 POWER SUPPLY (BUCKET)



AT-121-3 43007341021 UPPER,LOWER,ISUZU TKG-NKR85AN-EE5AHY-JD

Pos No.	Parts No	Parts Name	Qty	Unit	Technical Data	Serial No (Start)	Serial No (End)	Remarks
66	90172106016	BOLT,HEXAGON SOCKET	4		M6X16	HJ5254		
67	90302040601	WASHER,SPRING	4		6			
68	82401800080	PLUG (FOR M8)	2					
69	42203040010	PLATE	N			HJ4015		
70	42203040020	PLATE	N			HJ4015		
89	82455106000	NIPPLE,GREASE	1		A-M6F FE			
121	42202414100	COVER	1					
122	42202414200	COVER	1					
123	42202664100	COVER	2					
124	90101208020	BOLT	18		M8X20			
125	42203054100	COVER	1					
126	42202414800	SUPPORT	1					
127	42202414850	SUPPORT	1					
128	42340233030	COVER	1					
129	42202414500	COVER ASSY	1					
130	42202664300	COVER	2					
131	80192486010	SCREW,MACHINE	8		M6X10			
132	90302040801	WASHER,SPRING	21		8			
133	90303070801	WASHER,PLAIN	18		8			
151	37001004450	SHEAVE ASSY	2					
152	42202670210	PIN	2					
153	42200383620	PLATE	2					
154	90171110022	BOLT	8		M10X22			
155	90302041001	WASHER,SPRING	12		10			
156	90171110050	BOLT	4		M10X50			
157	90303071001	WASHER,PLAIN	4		10			
172	80513006206	BEARING,BALL	2					
190	37002000290	PLATE,SLIDE	2		100X30			
211	42202414550	COVER	1					
212	90101208016	BOLT	3		M8X16			
213	90201200800	NUT	3		M8			
215	42202414510	BLADE	1					
216	42202414520	PLATE	1					
232	80516006010	BEARING,BALL	2					

AT-121-3 43007341021 UPPER,LOWER,ISUZU TKG-NKR85AN-EE5AHY-JD

Pos No.	Parts No	Parts Name	Qty	Unit	Technical Data	Serial No (Start)	Serial No (End)	Remarks	Pages
1	42443711001	COVER ASSY	1						
2	42443710010	SUPPORT	1						
3	90303070801	WASHER,PLAIN	9		8				
4	37000506550	PLATE	2		T=1.6				
5	90302040801	WASHER,SPRING	13		8				
6	90101208016	BOLT	13		M8X16				
7	82401800080	PLUG (FOR M8)	12				HJ3170		
	82401800080	PLUG (FOR M8)	14			HJ3171			
21	42443711100	COVER	1						
22	42443711201	COVER	1						
23	82464107813	HINGE	2						
24	82400000393	INSULATOR	1						
25	80172804016	SCREW,MACHINE	1		M4X16				
28	80172804010	SCREW,MACHINE	12		M4X10				
29	90302510401	WASHER,SPRING	13		4				
30	90201500400	NUT	13		M4				
36	42268773010	PLATE	4						

AT-121-3 43007341021 UPPER,LOWER,ISUZU TKG-NKR85AN-EE5AHY-JD

Pos No.	Parts No	Parts Name	Qty	Unit	Technical Data	Serial No (Start)	Serial No (End)	Remarks	Pages
1	42507990101	COVER	1						
2	42507990021	SUPPORT	2						
3	90201200800	NUT	9		M8				
4	90302040801	WASHER,SPRING	15		8				
5	37000553000	PLATE	15						
6	37000517380	PLATE	4		T=2.3 TO 3.2				
7	42509380010	SUPPORT	2						
8	90101208016	BOLT	6		M8X16				
10	42509380101	COVER	1						

AT-121-3 43007341021 UPPER,LOWER,ISUZU TKG-NKR85AN-EE5AHY-JD

Pos No.	Parts No	Parts Name	Qty	Unit	Technical Data	Serial No (Start)	Serial No (End)
1	36028371000	CYLINDER	1				
2	36026159530	COVER,ROD	1				
3	80612110400	RING,RITAINING	1		AR40		
4	91002907000	O-RING	1		1B G70		
5	80801003525	BEARING,PLAIN	1				
6	91694003500	PACKING	1				
7	91410203501	RING,BACKUP	1				
8	91660003501	SEAL,DUST	1				
9	91002907500	O-RING	1		1B G75		
10	90302042401	WASHER,SPRING	1		24		
11	90209402400	NUT	1		M24		
12	36028370010	PISTON	1				
13	91002802000	O-RING	1		1B P20		
14	36028379510	ROD ASSY	1				
15	90303072401	WASHER,PLAIN	1		24		
16	82455106000	NIPPLE,GREASE	1		A-M6F FE		
17	91350207500	BEARING,PLAIN (WITH PACKINGX2)	1				
18	80541700030	BEARING,SPHERICAL (NTN)	1		SA4-30B		
50	36026489900	PACKING SET	1		35X75		
100	36028370000	CYLINDER ASSY,LEVELING (LOWER)	1				

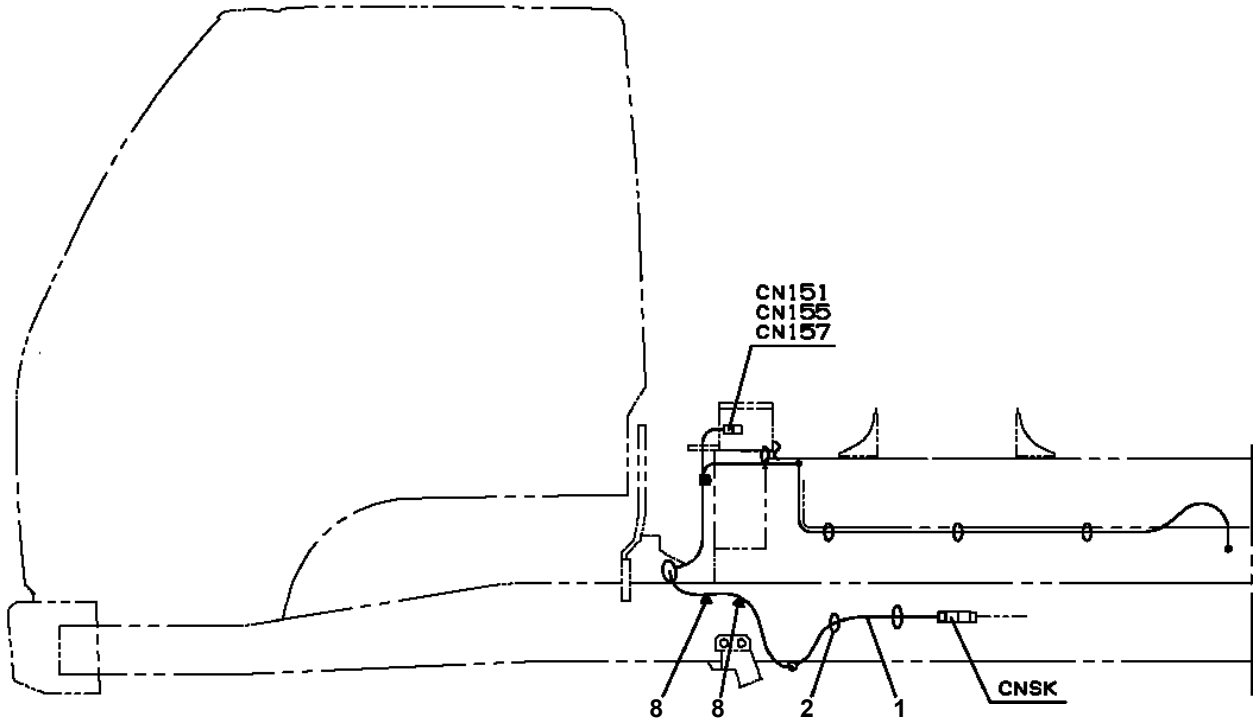
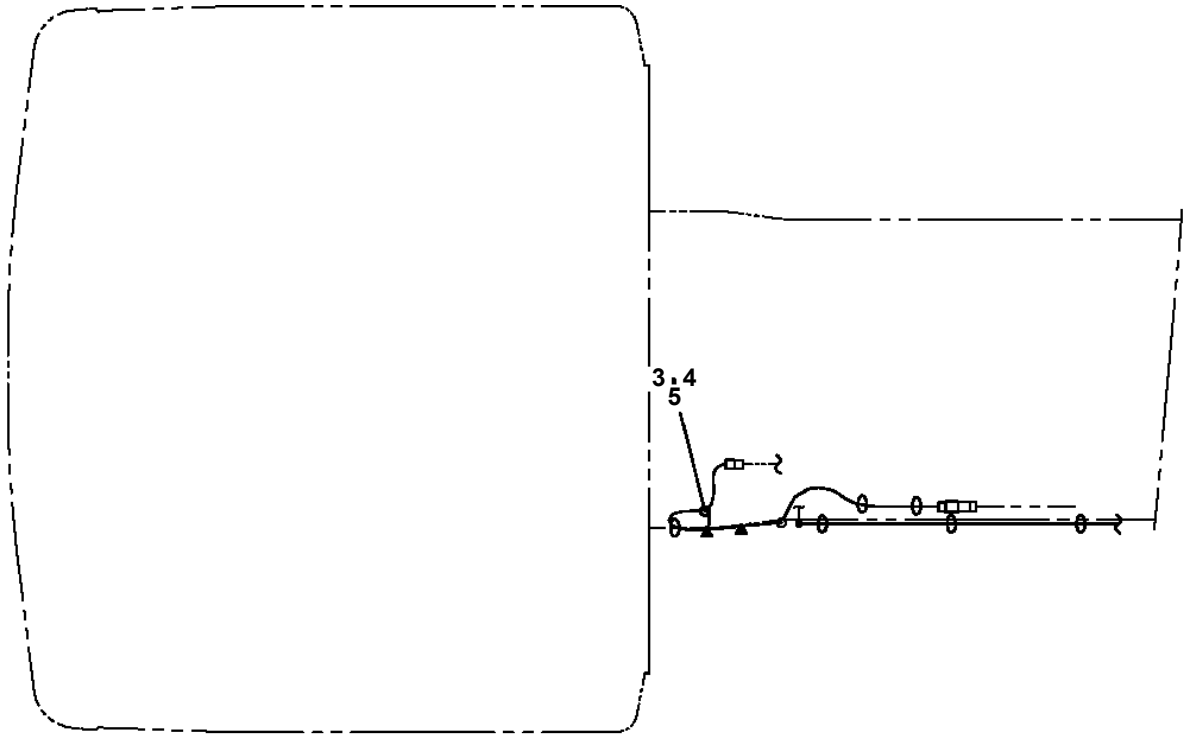
AT-121-3 43007341021 UPPER,LOWER,ISUZU TKG-NKR85AN-EE5AHY-JD

Pos No.	Parts No	Parts Name	Qty	Unit	Technical Data	Serial No (Start)	Serial No (End)
1	(*****)	SWING FRAME ASSY	1				
2	(*****)	REDUCER,SWING SPEED (MOUNT)	1				
3	(*****)	DERRICK ASSY	1				
4	(*****)	PIPING ASSY,SWING FRAME	1				
5	(*****)	ELEC.ASSY,SWING FRAME	1				
6	(*****)	MOUNT ASSY,SWIVEL JOINT	1				
7	36028370000	CYLINDER ASSY,LEVELING (LOWER)	1				

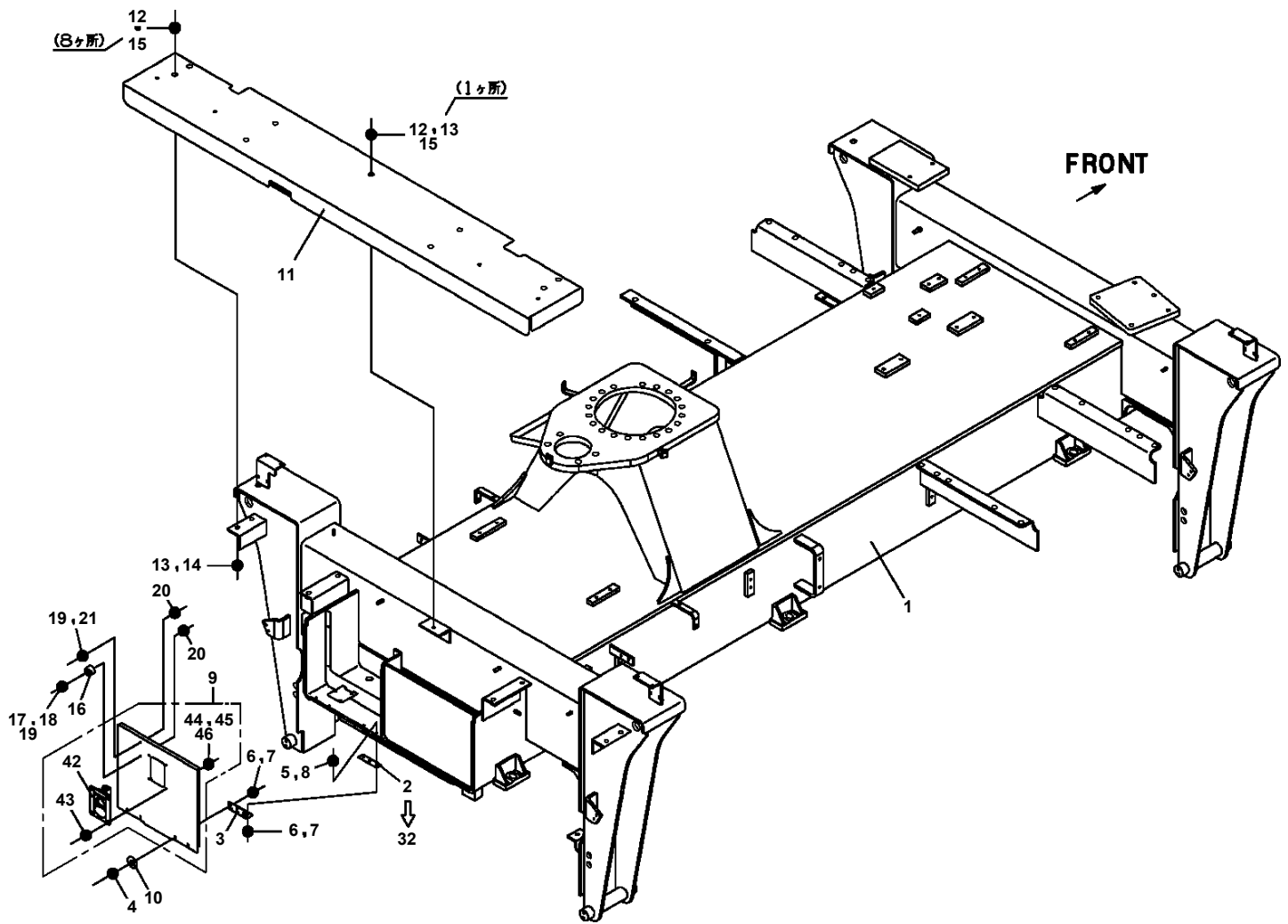
AT-121-3 43007341021 UPPER,LOWER,ISUZU TKG-NKR85AN-EE5AHY-JD

Pos No.	Parts No	Parts Name	Qty	Unit	Technical Data	Serial No (Start)	Serial No
1	42654640300	HARNESS (REAR JACK EXTEND/STOWING)	1				
2	91810132530	FASTENER	20				
3	37000505660	PLATE	2				
4	42508603100	COVER	2				
5	42508603200	SUPPORT	2				
6	82108501210	SWITCH	2				
7	82100002006	CLAMP	2		WR10		
8	90101208016	BOLT	4		M8X16		
9	90302040801	WASHER,SPRING	4		8		
10	90101206012	BOLT	6		M6X12		
11	90302040601	WASHER,SPRING	6		6		
12	90303070601	WASHER,PLAIN	4		6		

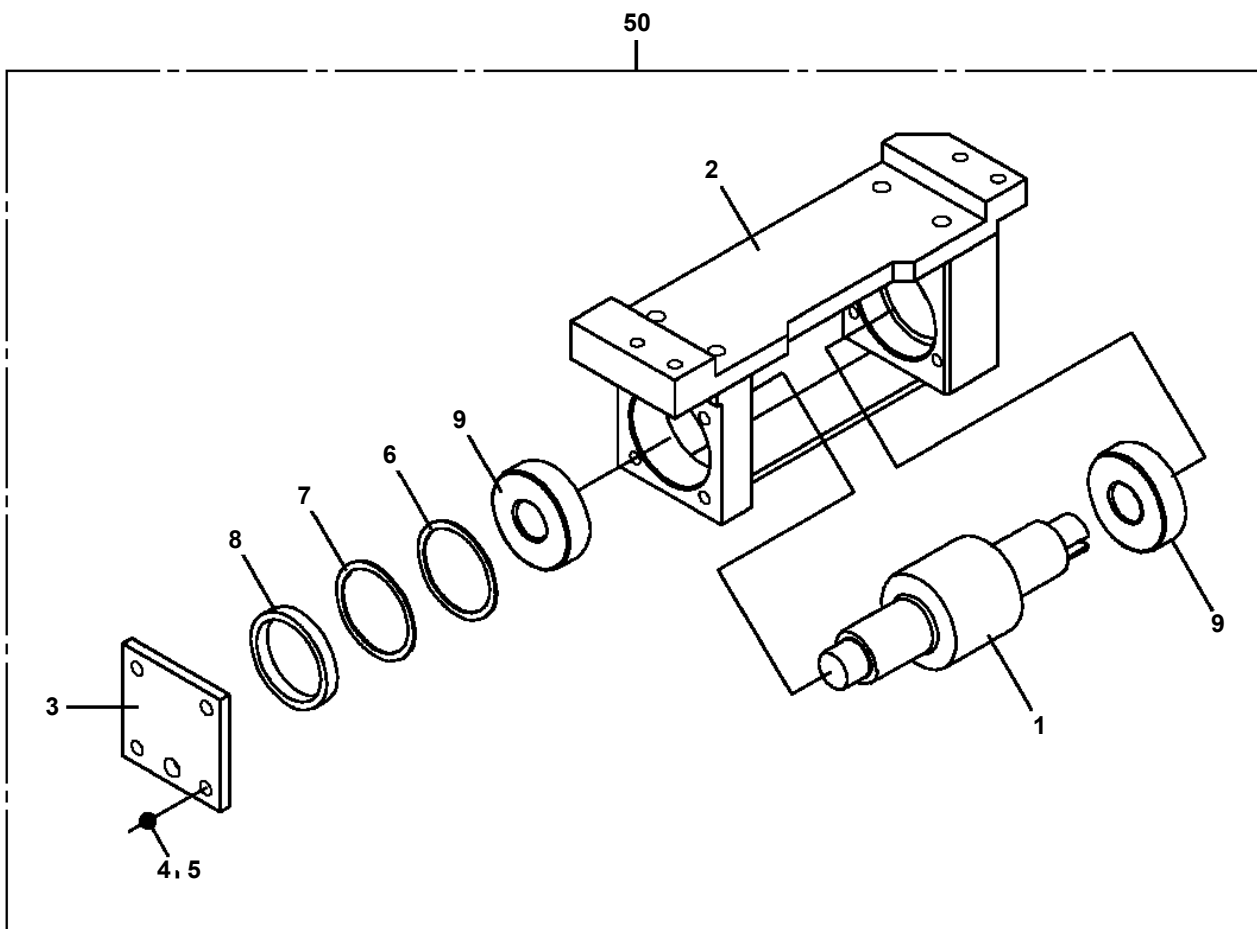
AT-121-3 43007341021 UPPER,LOWER,ISUZU TKG-NKR85AN-EE5AHY-JD
PE5070037-00 ELEC.ASSY,CARRIER



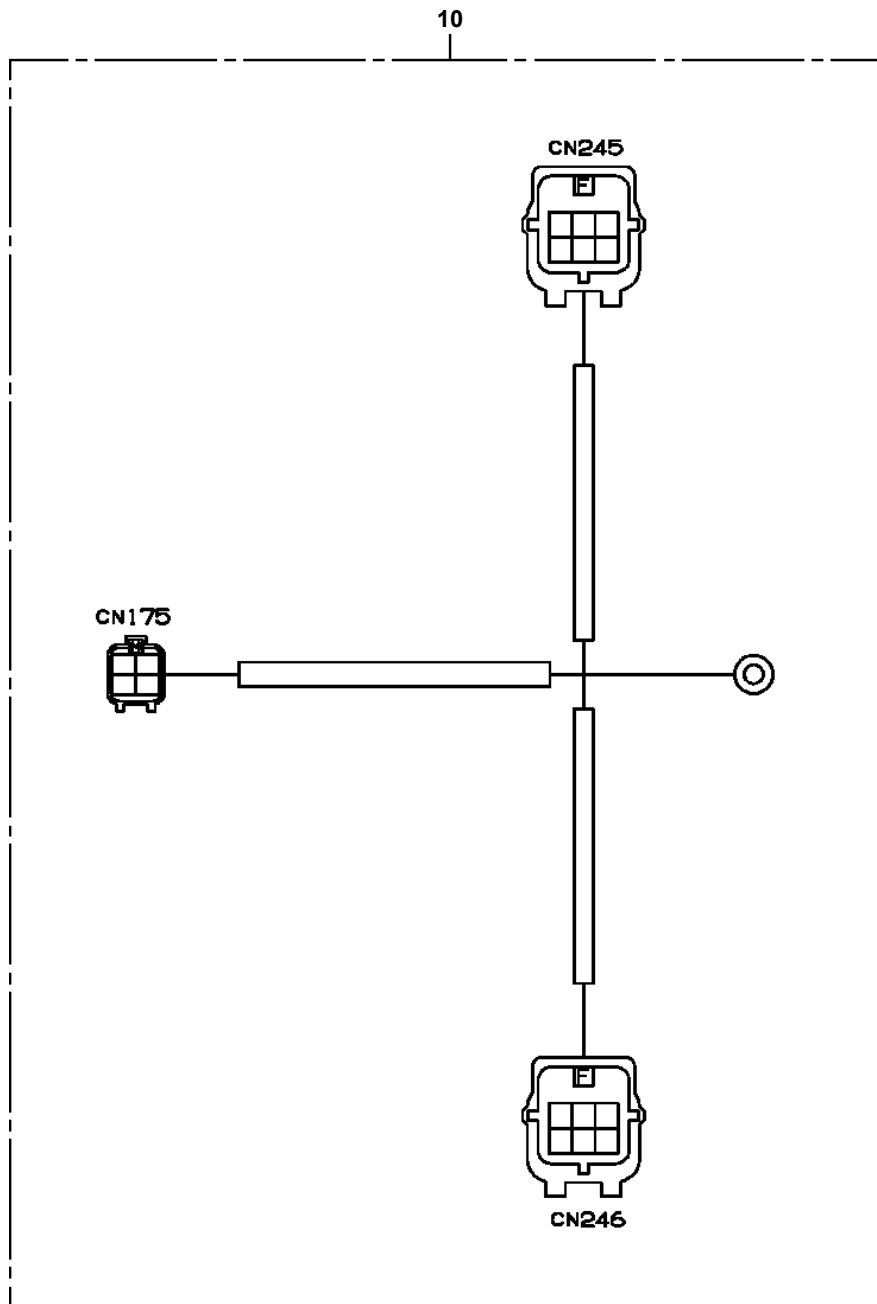
AT-121-3 43007341021 UPPER,LOWER,ISUZU TKG-NKR85AN-EE5AHY-JD
PF5100129-01 FRAME ASSY



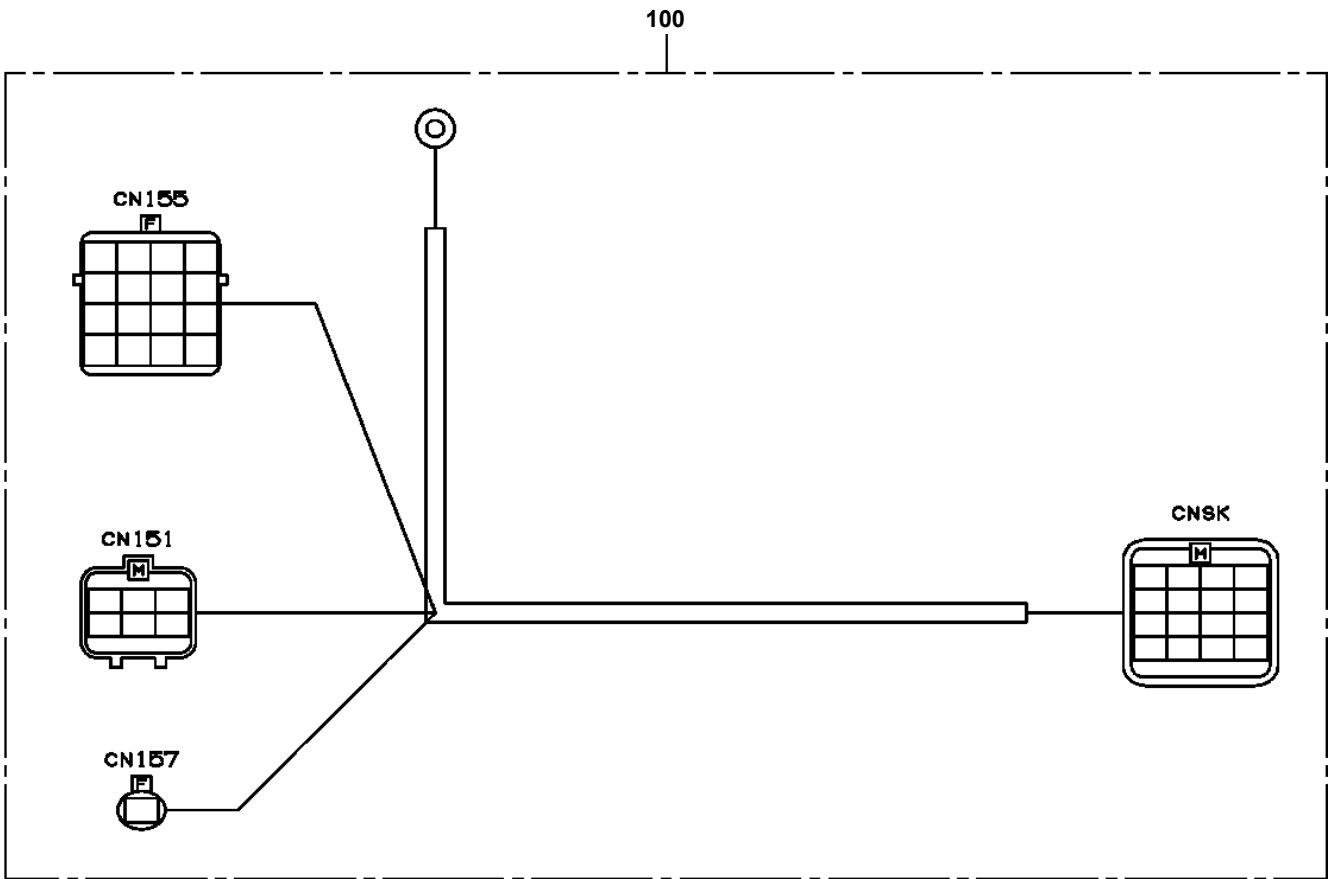
AT-121-3 43007341021 UPPER,LOWER,ISUZU TKG-NKR85AN-EE5AHY-JD
PG5090004-01 GEAR ASSY



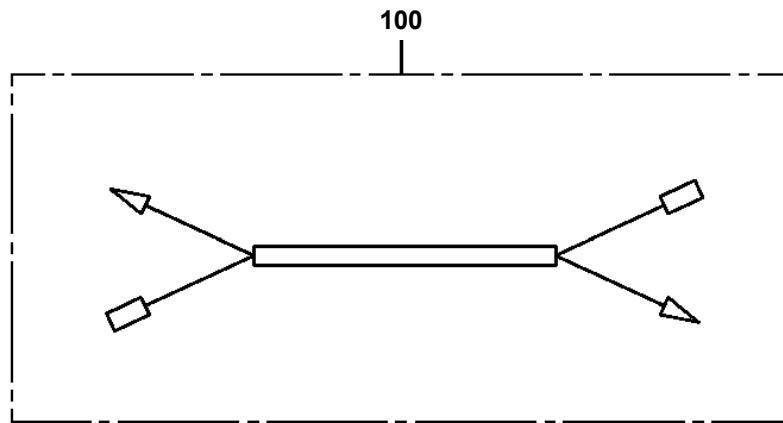
AT-121-3 43007341021 UPPER,LOWER,ISUZU TKG-NKR85AN-EE5AHY-JD
PH5030257-00 HARNESS (FRONT JACK EXTEND/STOWING)



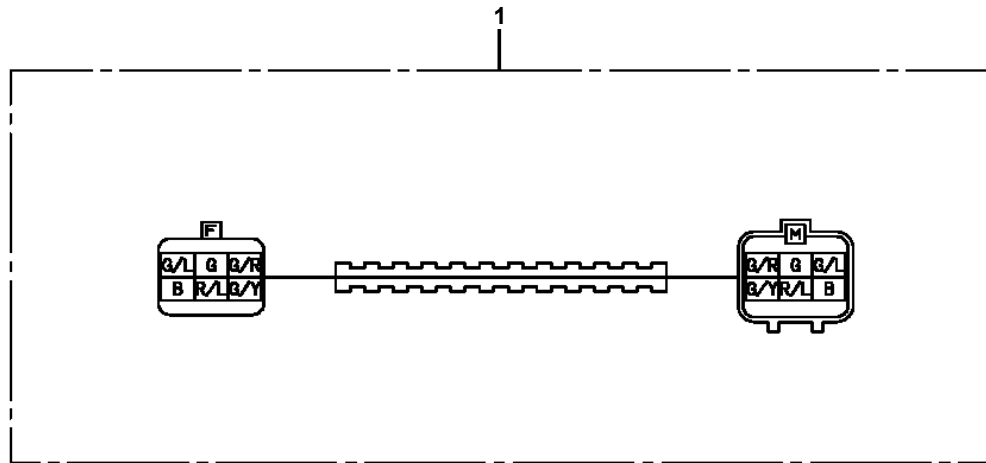
AT-121-3 43007341021 UPPER,LOWER,ISUZU TKG-NKR85AN-EE5AHY-JD
PH5030428-00 HARNESS



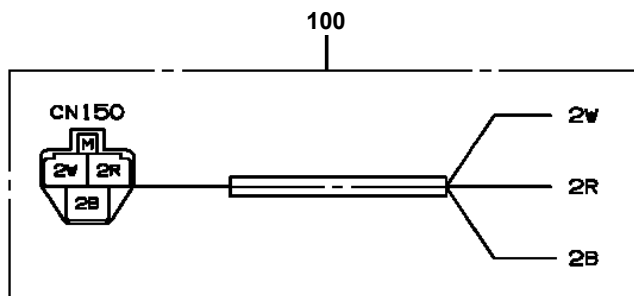
AT-121-3 43007341021 UPPER,LOWER,ISUZU TKG-NKR85AN-EE5AHY-JD
PH5030979-00 HARNESS



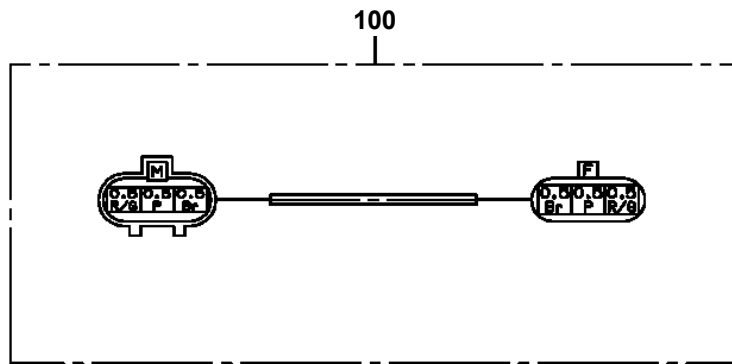
AT-121-3 43007341021 UPPER,LOWER,ISUZU TKG-NKR85AN-EE5AHY-JD
PH5031756-00 HARNESS



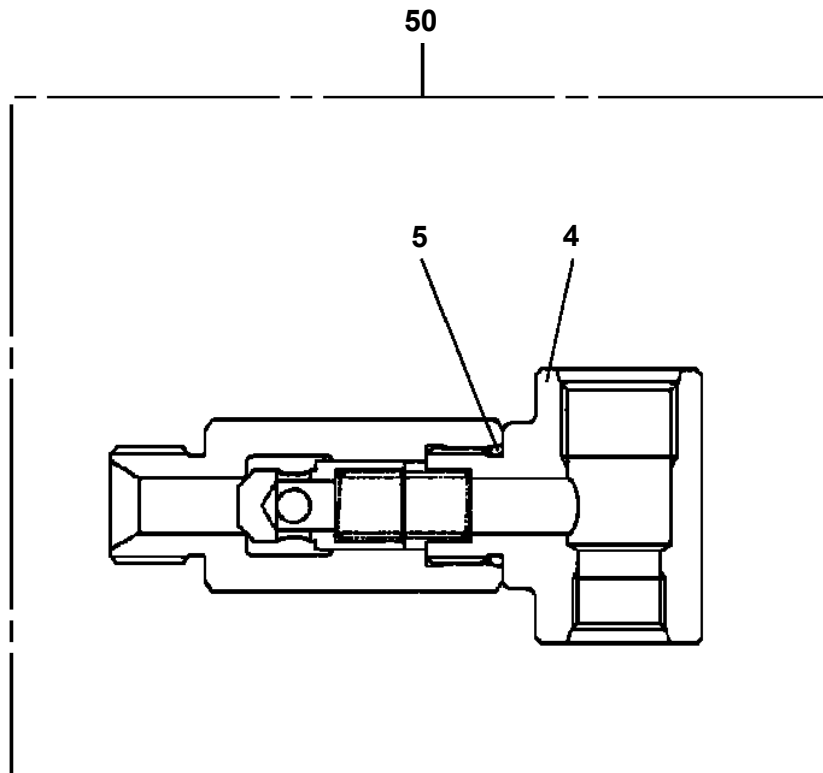
AT-121-3 43007341021 UPPER,LOWER,ISUZU TKG-NKR85AN-EE5AHY-JD
PH5032272-00 HARNESS



AT-121-3 43007341021 UPPER,LOWER,ISUZU TKG-NKR85AN-EE5AHY-JD
PH5034174-00 HARNESS



AT-121-3 43007341021 UPPER,LOWER,ISUZU TKG-NKR85AN-EE5AHY-JD
PI1140167-00 VALVE,CHECK (UZUMAKI)



CLICK HERE TO **DOWNLOAD** THE COMPLETE MANUAL

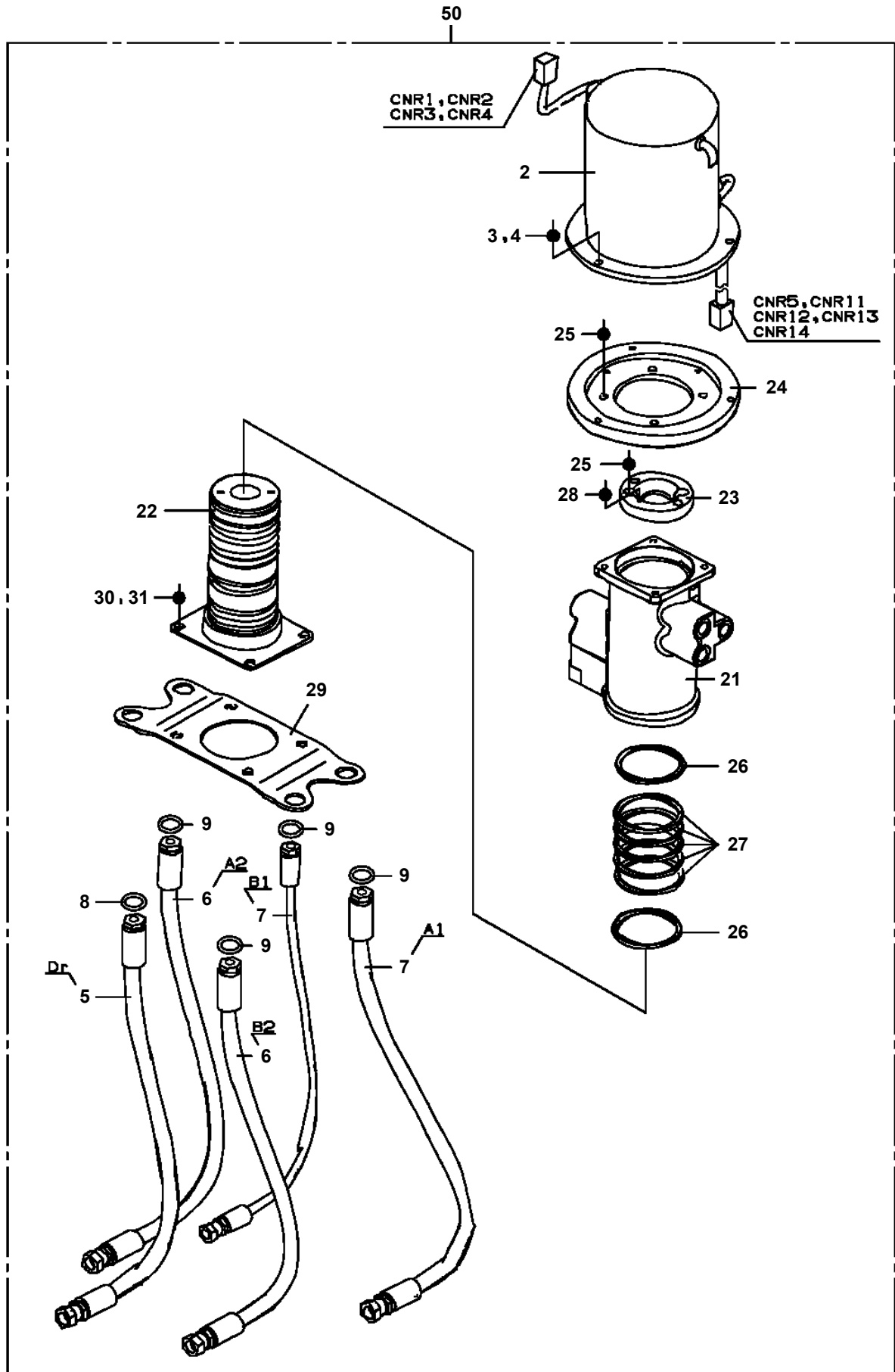
- Thank you very much for reading the preview of the manual.
- You can download the complete manual from: www.heydownloads.com by clicking the link below



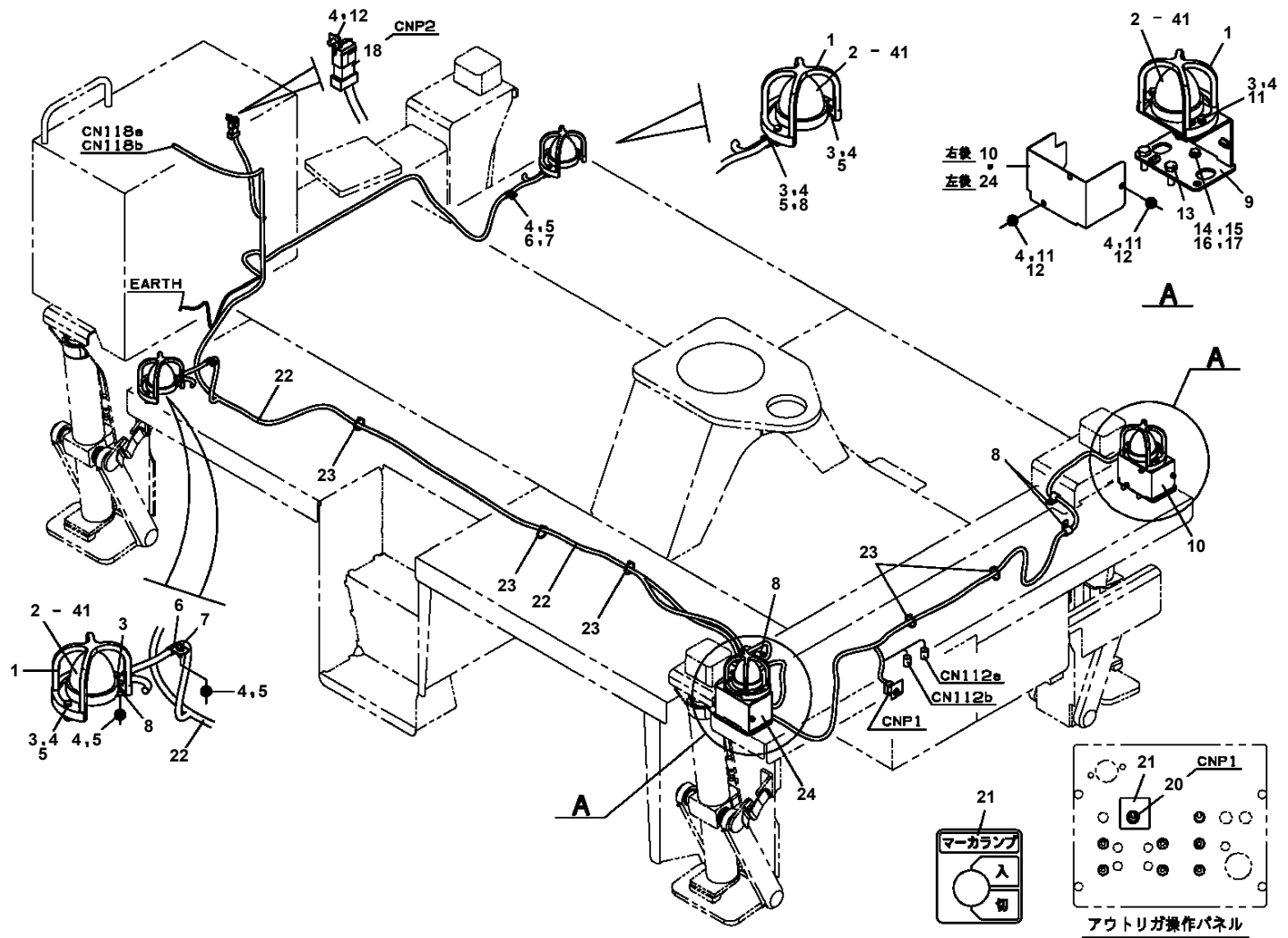
- Please note: If there is no response to CLICKING the link, please download this PDF first and then click on it.

CLICK HERE TO **DOWNLOAD** THE COMPLETE MANUAL

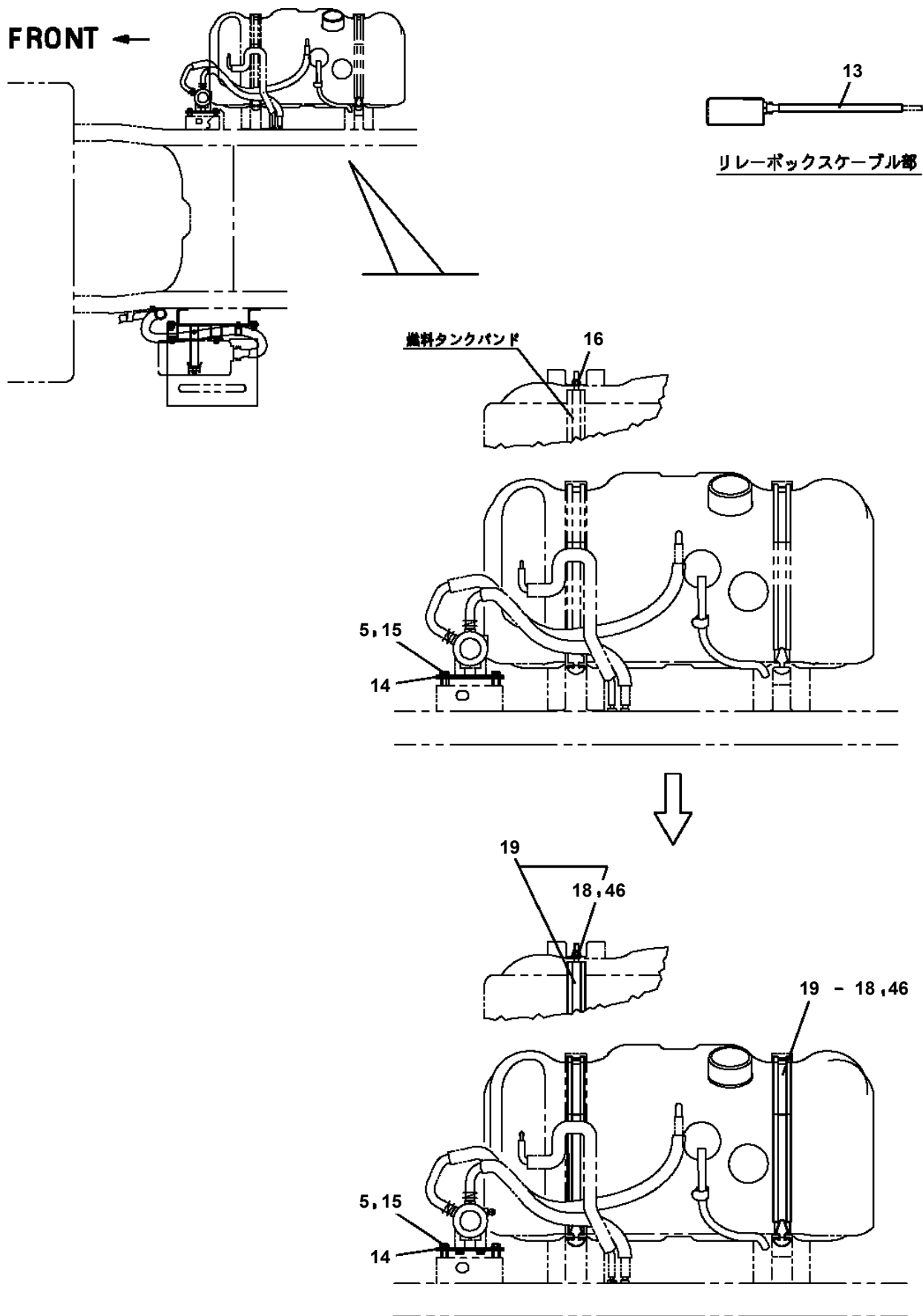
AT-121-3 43007341021 UPPER,LOWER,ISUZU TKG-NKR85AN-EE5AHY-JD
PJ5090038-00 JOINT ASSY,SWIVEL



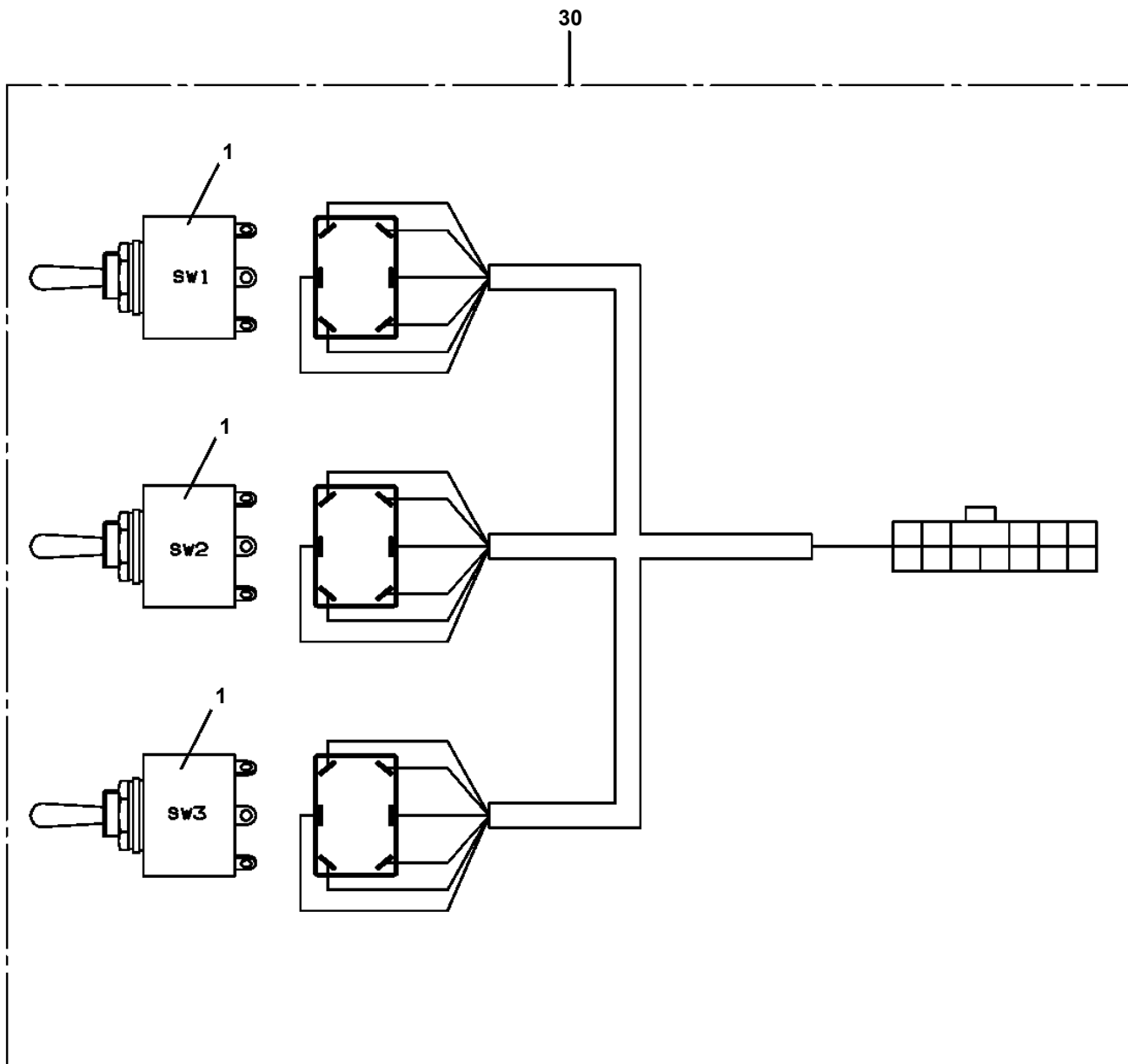
**AT-121-3 43007341021 UPPER,LOWER,ISUZU TKG-NKR85AN-EE5AHY-JD
PL5020130-00 LAMP ASSY (MARKER/YELLOW:4 LIGHT)**



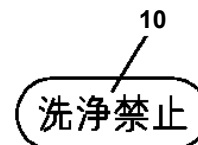
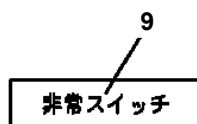
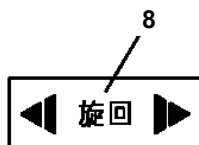
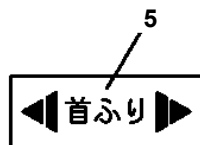
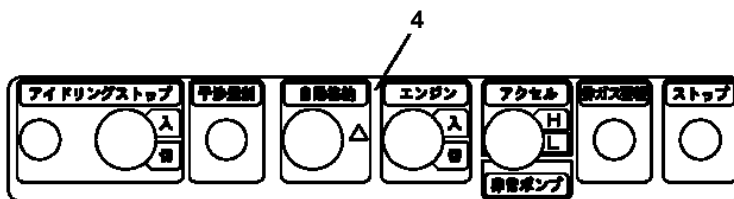
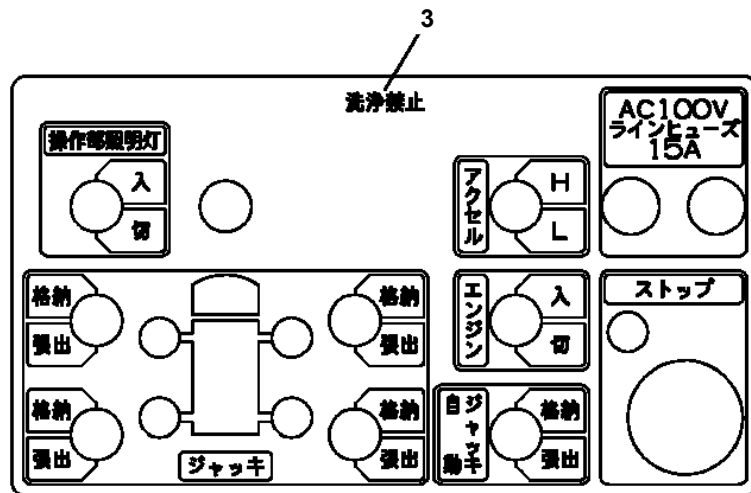
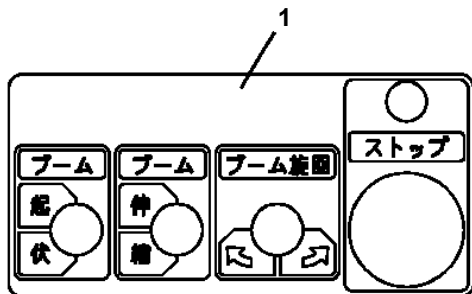
AT-121-3 43007341021 UPPER,LOWER,ISUZU TKG-NKR85AN-EE5AHY-JD
PM5150502-05 MODIFICATION ASSY



AT-121-3 43007341021 UPPER,LOWER,ISUZU TKG-NKR85AN-EE5AHY-JD
PN1140153-00 SWITCH ASSY (WITH HARNESS,3 SWITCH)



AT-121-3 43007341021 UPPER,LOWER,ISUZU TKG-NKR85AN-EE5AHY-JD
 PN5010633-00 NAME PLATE ASSY (OPERATION)



AT-121-3 43007341021 UPPER,LOWER,ISUZU TKG-NKR85AN-EE5AHY-JD

Pos No.	Parts No	Parts Name	Qty	Unit	Technical Data	Serial No (Start)	Serial No (End)
1	42510170010	PLATE,NAME (NO IDLING OPERATION)	1				

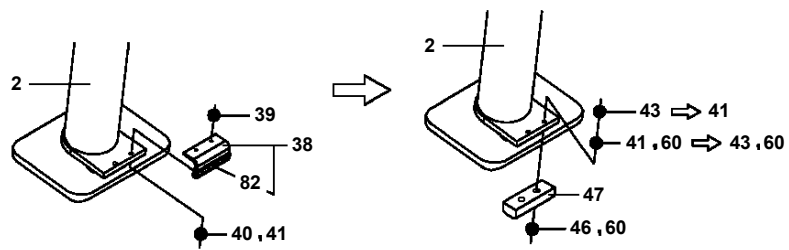
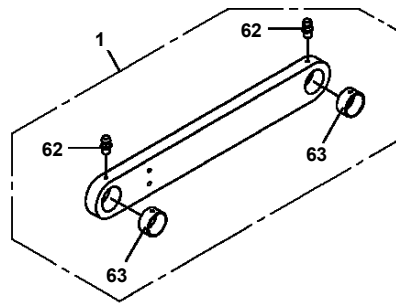
AT-121-3 43007341021 UPPER,LOWER,ISUZU TKG-NKR85AN-EE5AHY-JD

Pos No.	Parts No	Parts Name	Qty	Unit	Technical Data	Serial No (Start)
1	(*****)	PLATE ASSY,NAME (IN CAB)	1			
2	(*****)	PLATE ASSY,NAME (SMOOTHER-EX/PTO OPERATION)	1			

AT-121-3 43007341021 UPPER,LOWER,ISUZU TKG-NKR85AN-EE5AHY-JD

Pos No.	Parts No	Parts Name	Qty	Unit	Technical Data	Serial No (Start)	Serial No (End)	Remarks
1	42332512200	CASE	1					
2	42332512211	OPE.ASSY	1					
3	42332512221	OPE.ASSY	1					
6	42332502300	CASE (BOTTOM)	1					
8	42332507680	HARNESS ASSY	1				HJ3061	
	42332507720	HARNESS ASSY	1			HJ3062		
9	42332502701	COVER (BOARD)	1					
10	82161161125	RELAY	3				HJ3061	
	82161324080	RELAY	3			HJ3062		
12	42332507610	SPACER	6					
13	80192383008	SCREW,MACHINE	6		M3X8			
14	80192885012	SCREW,MACHINE	13		M5X12			
15	90201200500	NUT	1		M5			
16	90303070501	WASHER,PLAIN	1		5			
17	90302040501	WASHER,SPRING	1		5			
18	42332507620	SPACER	3					
19	42332507630	COVER (RELAY)	1					
107	42332507571	BOARD,CIRCUIT (WITH DATA)	1				HJ3754	
	42332507572	BOARD,CIRCUIT (WITH DATA)	1			HJ3755	HJ4404	
	42332507573	BOARD,CIRCUIT (WITH DATA)	1			HJ4405		
201	42330037810	KNOB	2					
202	42330037800	BOOT	2					
900	42332503001	OPE.ASSY	1					

AT-121-3 43007341021 UPPER,LOWER,ISUZU TKG-NKR85AN-EE5AHY-JD
PO5270085-02 OUTRIGGER ASSY



B

AT-121-3 43007341021 UPPER,LOWER,ISUZU TKG-NKR85AN-EE5AHY-JD

Pos No.	Parts No	Parts Name	Qty	Unit	Technical Data	Serial No (Start)	Serial No (End)	Remarks	Pa
1	37000711010	CLAMP ASSY	1		18X1				
2	80320030075	FITTING,ELBOW	2		KLE12-020N				
4	37000711080	CLAMP ASSY	4		12-2				
5	91810132530	FASTENER	10						
6	37000711410	CLAMP ASSY	4		12-4				
7	37000711460	CLAMP ASSY	4		12X6				
8	80303130161	FITTING,ELBOW	2		KLO12-030E				
9	80320010080	FITTING	4		KUD12-030N				
10	80320010075	FITTING	5		KUD12-020N				
11	80400160190	JOINT (WITH O-RING)	1						
12	91803600160	CLIP	2		D=11-16				
13	37000711090	CLAMP ASSY	1		18X2				
14	82100002013	CLAMP	2		WRC18				
15	37002510130	HOSE	1		L=2880				
16	37000300740	SLEEVE	3		18-12				
18	82100001804	TUBE,CORRUGATE	3	M	15				
19	80301010100	FITTING	13		KUA12-000N				
21	81408000160	PIPE,STEEL	3	M	12X1.4T				
22	81408000160	PIPE,STEEL	3	M	12X1.4T				
24	81408000160	PIPE,STEEL	3	M	12X1.4T				
25	81408000160	PIPE,STEEL	2	M	12X1.4T				
26	81408000160	PIPE,STEEL	3	M	12X1.4T				
27	81408000160	PIPE,STEEL	2	M	12X1.4T				
28	81408000160	PIPE,STEEL	1	M	12X1.4T				
29	81408000160	PIPE,STEEL	1	M	12X1.4T				
30	81408000160	PIPE,STEEL	1	M	12X1.4T				
31	81408000160	PIPE,STEEL	1	M	12X1.4T				
32	81408000241	PIPE,STEEL	2	M	18X1.9T				
33	81408000210	PIPE,STEEL	1	M	15X2.0T				
34	81408000210	PIPE,STEEL	1	M	15X2.0T				
35	81408000241	PIPE,STEEL	1	M	18X1.9T				
36	81408000160	PIPE,STEEL	2	M	12X1.4T				
37	81408000160	PIPE,STEEL	3	M	12X1.4T				
38	81408000160	PIPE,STEEL	2	M	12X1.4T				
39	81408000160	PIPE,STEEL	3	M	12X1.4T				
40	81408000160	PIPE,STEEL	3	M	12X1.4T				
41	81408000160	PIPE,STEEL	3	M	12X1.4T				
42	81408000160	PIPE,STEEL	3	M	12X1.4T				
43	81408000160	PIPE,STEEL	3	M	12X1.4T				
44	81408000160	PIPE,STEEL	3	M	12X1.4T				
45	81408000160	PIPE,STEEL	3	M	12X1.4T				
46	81408000160	PIPE,STEEL	3	M	12X1.4T				
48	81408000160	PIPE,STEEL	2	M	12X1.4T				
49	81408000160	PIPE,STEEL	2	M	12X1.4T				
50	81408000160	PIPE,STEEL	1	M	12X1.4T				
51	81408000160	PIPE,STEEL	2	M	12X1.4T				
52	81408000210	PIPE,STEEL	1	M	15X2.0T				
53	37000711130	CLAMP ASSY	1		18X2				
54	37000711120	CLAMP ASSY	3		12X2				
55	37005700010	CLAMP	4		12X1				
56	90186208050	BOLT,FLANGE	2		M8X50				
57	81408000160	PIPE,STEEL	3	M	12X1.4T				
58	81408000160	PIPE,STEEL	2	M	12X1.4T				
59	81408000160	PIPE,STEEL	1	M	12X1.4T				
60	82467300111	PLUG	1						
72	80302090241	FITTING	1		KCO18-040N				
73	91002801800	O-RING	3		1B P18				
74	80303130201	FITTING,ELBOW	1		KLO15-040E				
77	91002801400	O-RING	2		1B P14				
79	91002801100	O-RING	2		1B P11				
92	80302090201	FITTING	1		KCO15-040N				
111	42649601101	JOINT	1						
114	80303130141	FITTING,ELBOW	1		KLO12-020E				

AT-121-3 43007341021 UPPER,LOWER,ISUZU TKG-NKR85AN-EE5AHY-JD

Pos No.	Parts No	Parts Name	Qty	Unit	Technical Data	Serial No (Start)	Serial No (End)	Remarks
5	82182819823	DIODE	1		1.5A			
9	34354781710	RELAY (WITH BRACKET)	1					
100	34354781720	RELAY (WITH HARNESS)	1					

AT-121-3 43007341021 UPPER,LOWER,ISUZU TKG-NKR85AN-EE5AHY-JD

Pos No.	Parts No	Parts Name	Qty	Unit	Technical Data	Serial No (Start)	Serial No (End)	Remarks
1	42232281001	TABLE,SLEWING	1					
2	37000558530	PLATE	3		T=9			
3	90172110020	BOLT,HEXAGON SOCKET	8		M10X20			
4	90302041001	WASHER,SPRING	8		10			
5	82455106000	NIPPLE,GREASE	1		A-M6F FE			
6	37000187110	PIN	1					
7	37000535670	PLATE	1		T=9			
8	90171120035	BOLT	1		M20X35			
9	90302042001	WASHER,SPRING	1		20			
10	37000159250	PIN	1					
12	42231960010	PLATE	1		T=9			
13	37000159580	PIN	2					

AT-121-3 43007341021 UPPER,LOWER,ISUZU TKG-NKR85AN-EE5AHY-JD

Pos No.	Parts No	Parts Name	Qty	Unit	Technical Data	Serial No (Start)	Serial No (End)
1	42654841102	PANEL	1				
2	42653673600	SWITCH ASSY (WITH HARNESS,5 SW)	1				
3	42501481100	HOLDER ASSY(FUSE,WITH HARNESS)	2				
5	42970341200	SWITCH ASSY (WITH HARNESS)	1				
6	42809631200	LAMP ASSY (RED,WITH HARNESS)	5				
7	42433932100	SWITCH ASSY (WITH HARNESS,1 SW)	1				
8	82467300105	PLUG	2				
9	42332521300	SWITCH ASSY (WITH HARNESS)	1				
10	82467300114	PLUG	1				
11	82467300101	PLUG	2				
32	82100001348	FUSE	2		15A,6.5X30		
49	42355641010	COVER	1				
61	42355641210	BUTTON	1				
100	42654841001	SWITCH ASSY	1				

AT-121-3 43007341021 UPPER,LOWER,ISUZU TKG-NKR85AN-EE5AHY-JD

Pos No.	Parts No	Parts Name	Qty	Unit	Technical Data	Serial No (Start)	Serial No (End)	R
1	91002801400	O-RING	2		1B P14			
100	36606450000	VALVE ASSY,COUNTERBALANCE	1					

AT-121-3 43007341021 UPPER,LOWER,ISUZU TKG-NKR85AN-EE5AHY-JD

Pos No.	Parts No	Parts Name	Qty	Unit	Technical Data	Serial No (Start)	Serial No (End)
1	42461270200	BLOCK,RUBBER (JUSTIN,ASSY ONLY)	4				
2	42461050200	STOPPER,TIRE	4				

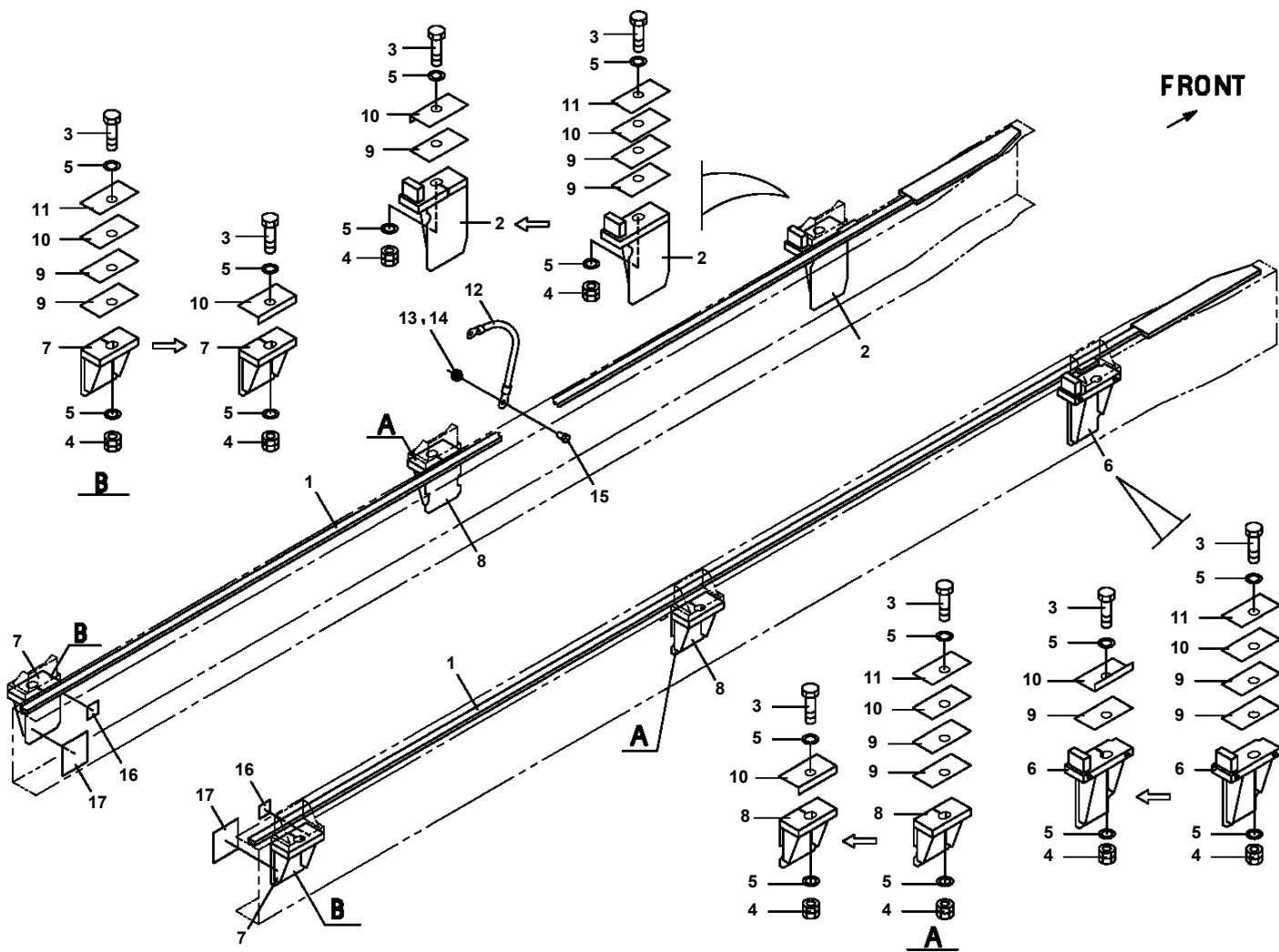
AT-121-3 43007341021 UPPER,LOWER,ISUZU TKG-NKR85AN-EE5AHY-JD

Pos No.	Parts No	Parts Name	Qty	Unit	Technical Data	Serial No (Start)	Serial No (End)
1	42460012540	WEDGE (STOPPER FOR TIRE/NAKAMURA KIKI)	1				

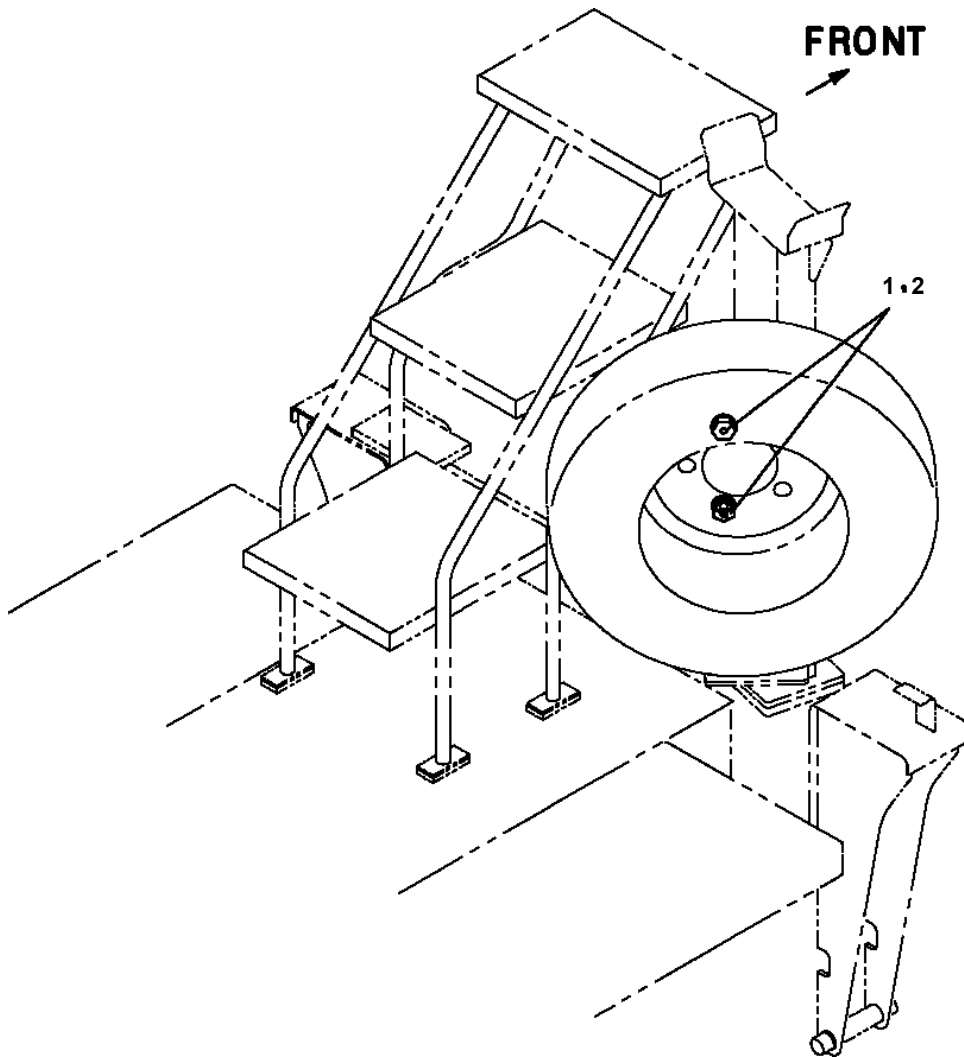
AT-121-3 43007341021 UPPER,LOWER,ISUZU TKG-NKR85AN-EE5AHY-JD

Pos No.	Parts No	Parts Name	Qty	Unit	Technical Data	Serial No (Start)	Serial No (End)	Remarks	Pages
1	42972500100	SUPPORT	1						
2	42972500200	SUPPORT	1						
3	42972500300	SUPPORT	1						
4	42972500400	SUPPORT	1						
5	90101210025	BOLT	16		M10X25				
6	90302041001	WASHER,SPRING	16		10				
7	90201201000	NUT	14		M10				
8	37000505950	PLATE	11		T=3.2				
9	90303071001	WASHER,PLAIN	8		10				
10	90201200800	NUT	3		M8				
11	90302040801	WASHER,SPRING	3		8				
12	90303070801	WASHER,PLAIN	3		8				
13	90155308020	BOLT,WELD	3		M8X20				
31	37002218760	PLATE,NAME	1						

AT-121-3 43007341021 UPPER,LOWER,ISUZU TKG-NKR85AN-EE5AHY-JD
PX5360045-01 MOUNT ASSY,FRAME



AT-121-3 43007341021 UPPER,LOWER,ISUZU TKG-NKR85AN-EE5AHY-JD
PX5770004-00 MOUNT ASSY,TIRE



AT-121-3 43007341021 UPPER,LOWER,ISUZU TKG-NKR85AN-EE5AHY-JD

Pos No.	Parts No	Parts Name	Qty	Unit	Technical Data	Serial No (Start)	Serial No (End)	Remarks	Pages
1	42460021000	BELT,SAFETY	1						

CLICK HERE TO **DOWNLOAD** THE COMPLETE MANUAL

- Thank you very much for reading the preview of the manual.
- You can download the complete manual from: www.heydownloads.com by clicking the link below



- Please note: If there is no response to CLICKING the link, please download this PDF first and then click on it.

CLICK HERE TO **DOWNLOAD** THE COMPLETE MANUAL