

**AT-121-3 43007330542 UPPER,LOWER,HINO TKG-XZU600E-TKTQC6**

**PB0000275-02 UPPER STRUCTURE SYSTEM**

**PB0000500-02 LOWER STRUCTURE SYSTEM**

**ASSEMBLY**

CLICK HERE TO **DOWNLOAD** THE COMPLETE MANUAL

- Thank you very much for reading the preview of the manual.
- You can download the complete manual from: [www.heydownloads.com](http://www.heydownloads.com) by clicking the link below



- Please note: If there is no response to CLICKING the link, please download this PDF first and then click on it.

CLICK HERE TO **DOWNLOAD** THE COMPLETE MANUAL

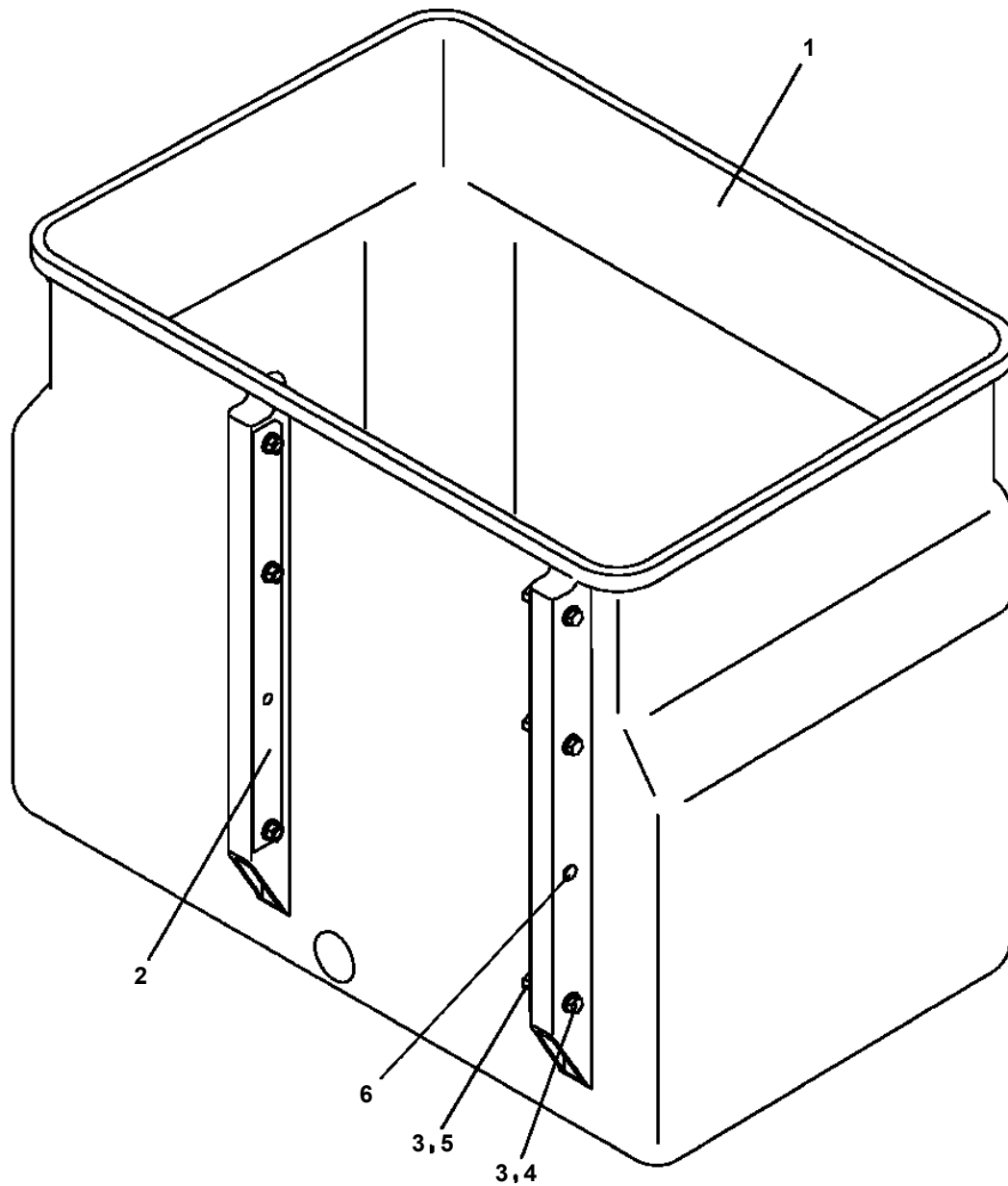
# AT-121-3 43007330542 UPPER,LOWER,HINO TKG-XZU600E-TKTQC6

Pos No.	Parts No	Parts Name	Qty	Unit	Technical Data	Serial No (Start)	Serial No (End)	R
1	31611617590	MOTOR ASSY	1					
3	36653405040	CAP	1					
8	36652025040	O-RING	1		S55			
9	36652625030	VALVE,CHECK	1					
10	36652625040	PUMP ASSY	1					
27	36652665060	O-RING	1		P8			
29	36652665050	O-RING	1		P14			
33	19215105160	SEAL,OIL	1					
34	36652665020	RING,RETAINING	1					
50	36652620000	PUMP,HYDRAULIC (EMERGENCY)	1					

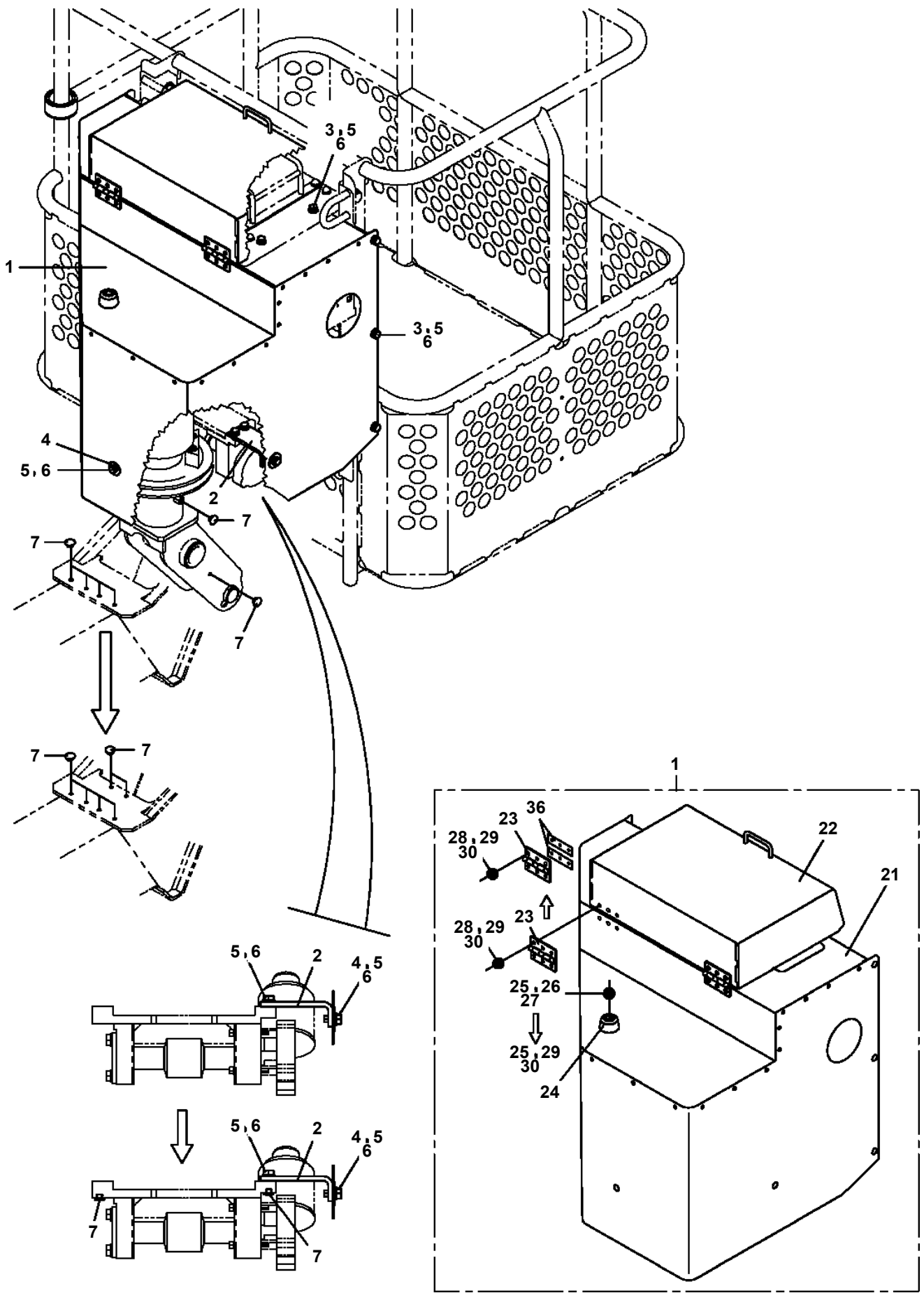
**AT-121-3 43007330542 UPPER,LOWER,HINO TKG-XZU600E-TKTQC6**

Pos No.	Parts No	Parts Name	Qty	Unit	Technical Data	Serial No (Start)	Serial No (End)	Remarks	P
1	82119434100	CONNECTOR	1						
2	42356280010	HARNESS	1						
3	91810130240	FASTENER	5						
4	42477640080	PLATE,NAME	1						
5	42350250070	PLUG (2 POLES,MALE)	1						
6	80175304016	SCREW,MACHINE	2		M4X16				

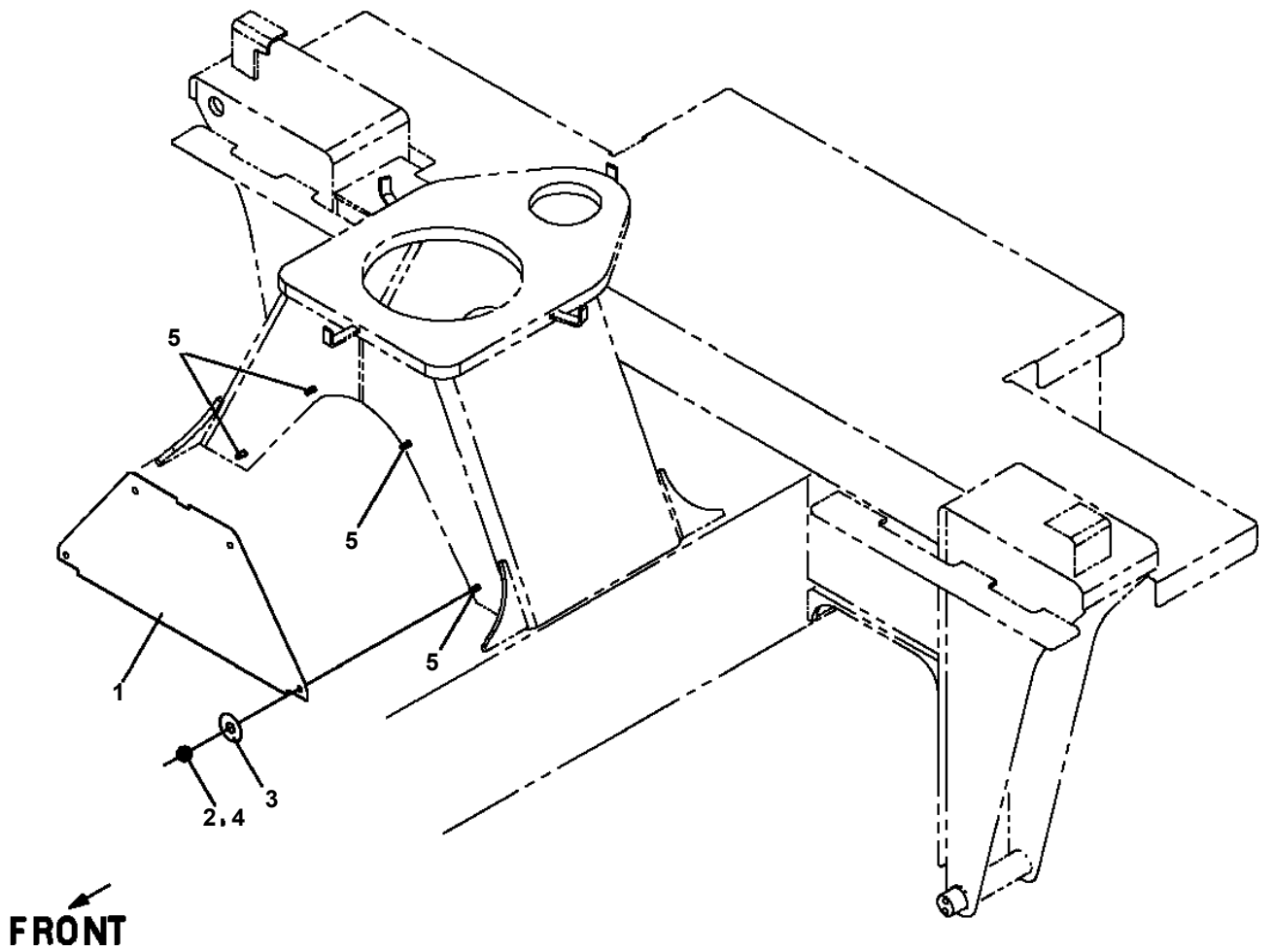
AT-121-3 43007330542 UPPER,LOWER,HINO TKG-XZU600E-TKTQC6  
PB5350004-00 BUCKET ASSY (FRP)



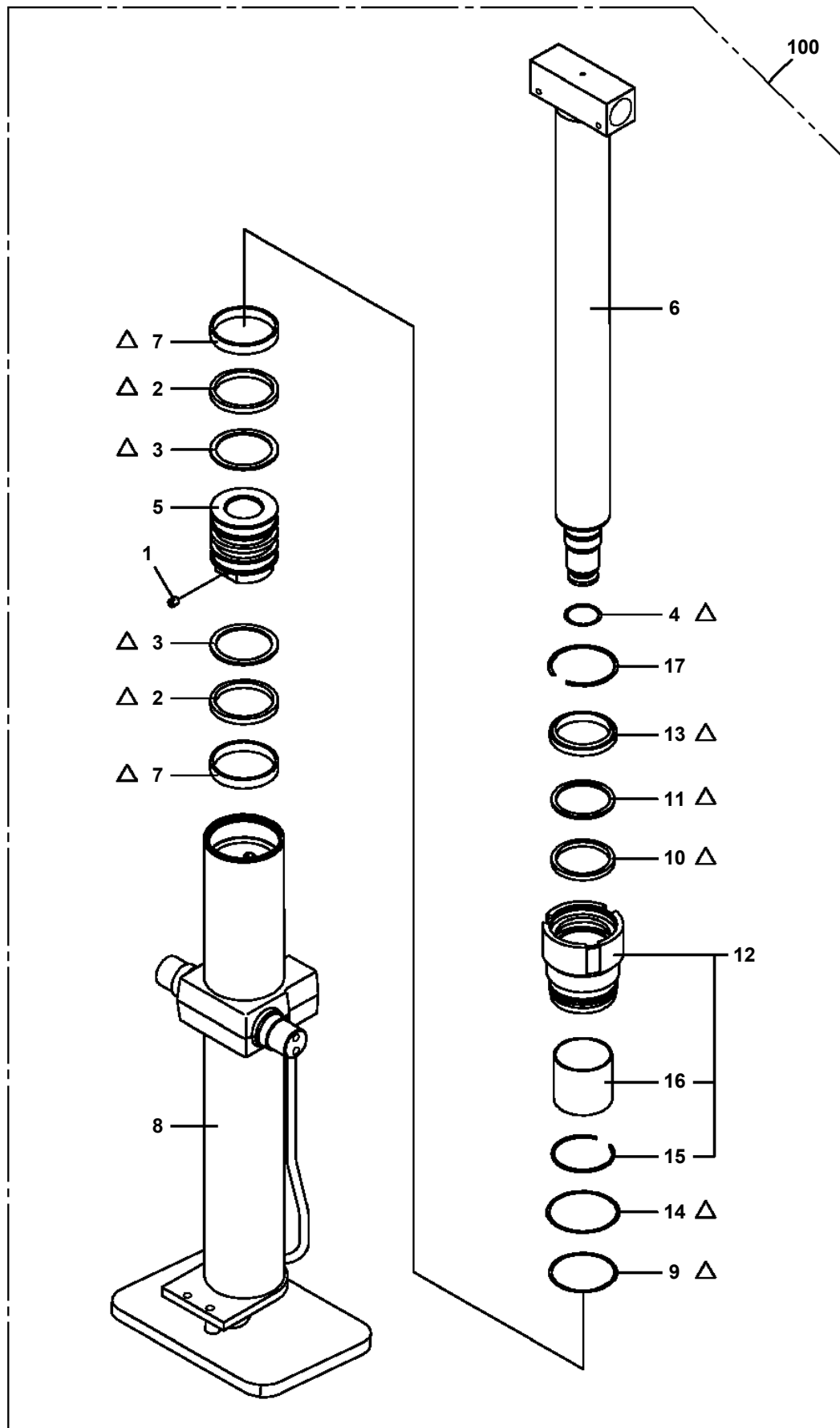
AT-121-3 43007330542 UPPER,LOWER,HINO TKG-XZU600E-TKTQC6  
PC5570062-04 COVER ASSY (BUCKET FRAME)



AT-121-3 43007330542 UPPER,LOWER,HINO TKG-XZU600E-TKTQC6  
PC5570083-00 COVER ASSY (FRAME PEDESTAL)



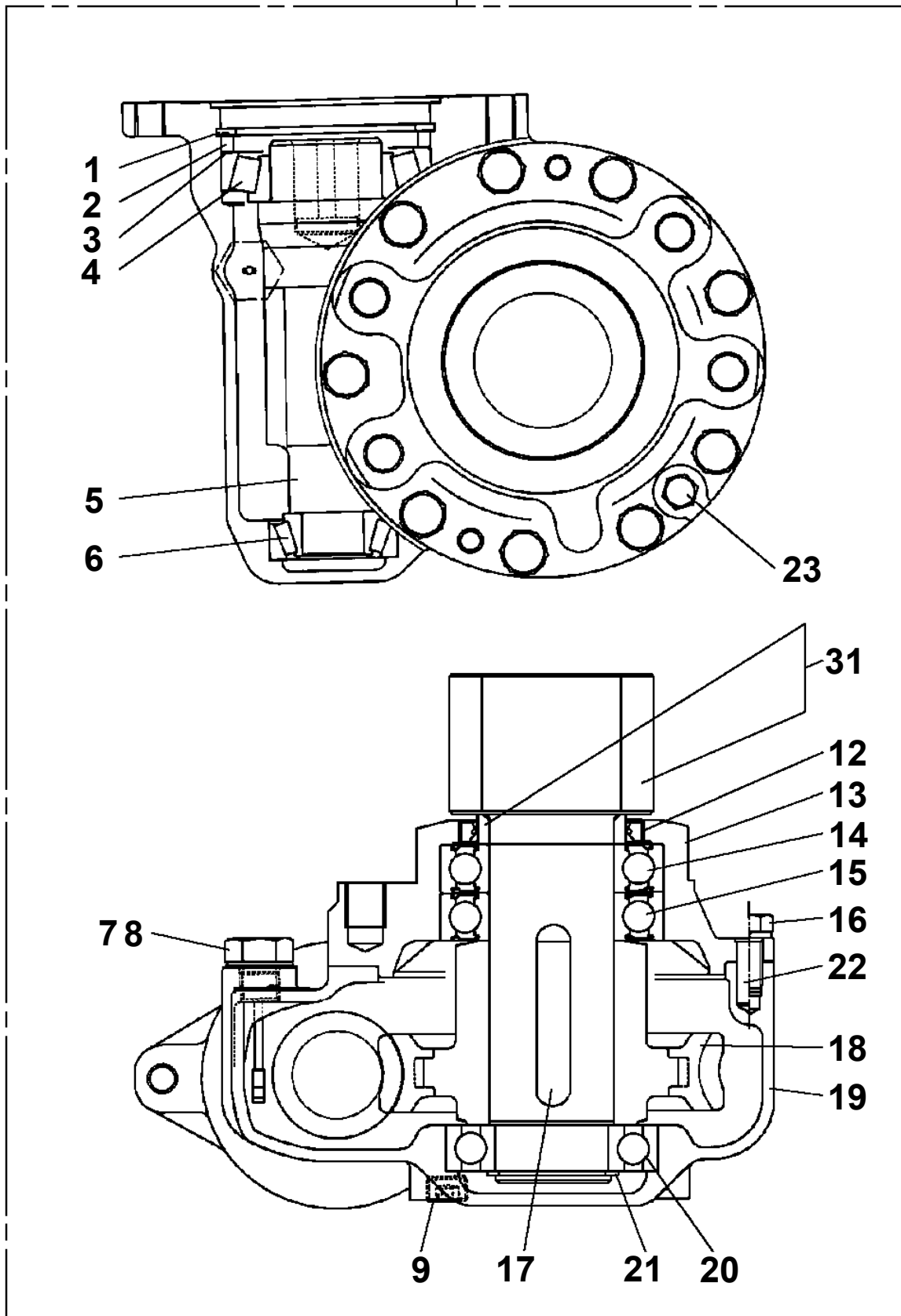
AT-121-3 43007330542 UPPER,LOWER,HINO TKG-XZU600E-TKTQC6  
 PC6390072-00 CYLINDER ASSY,JACK



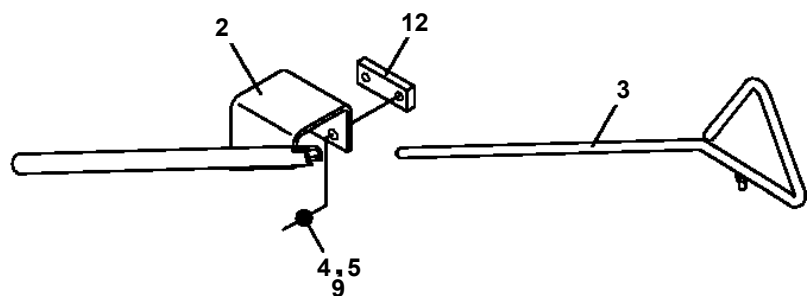
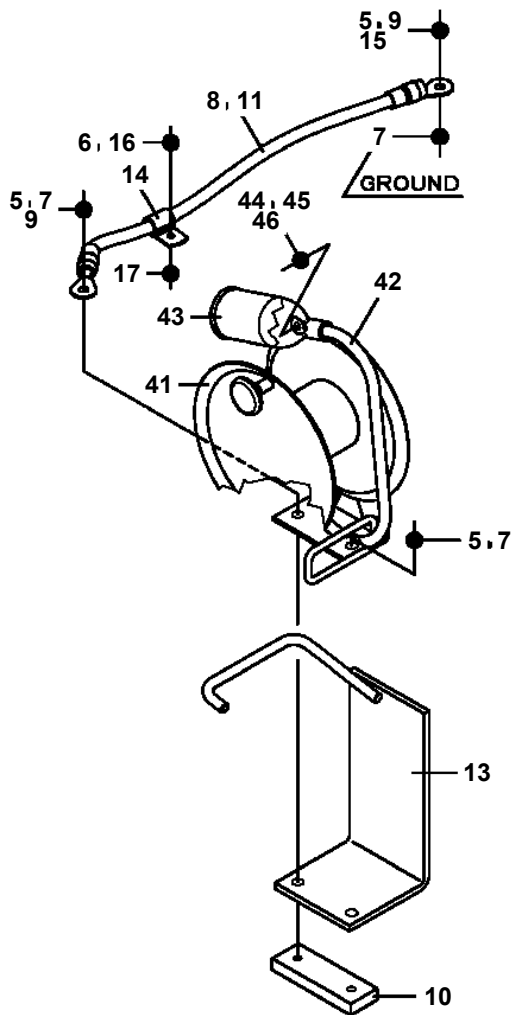
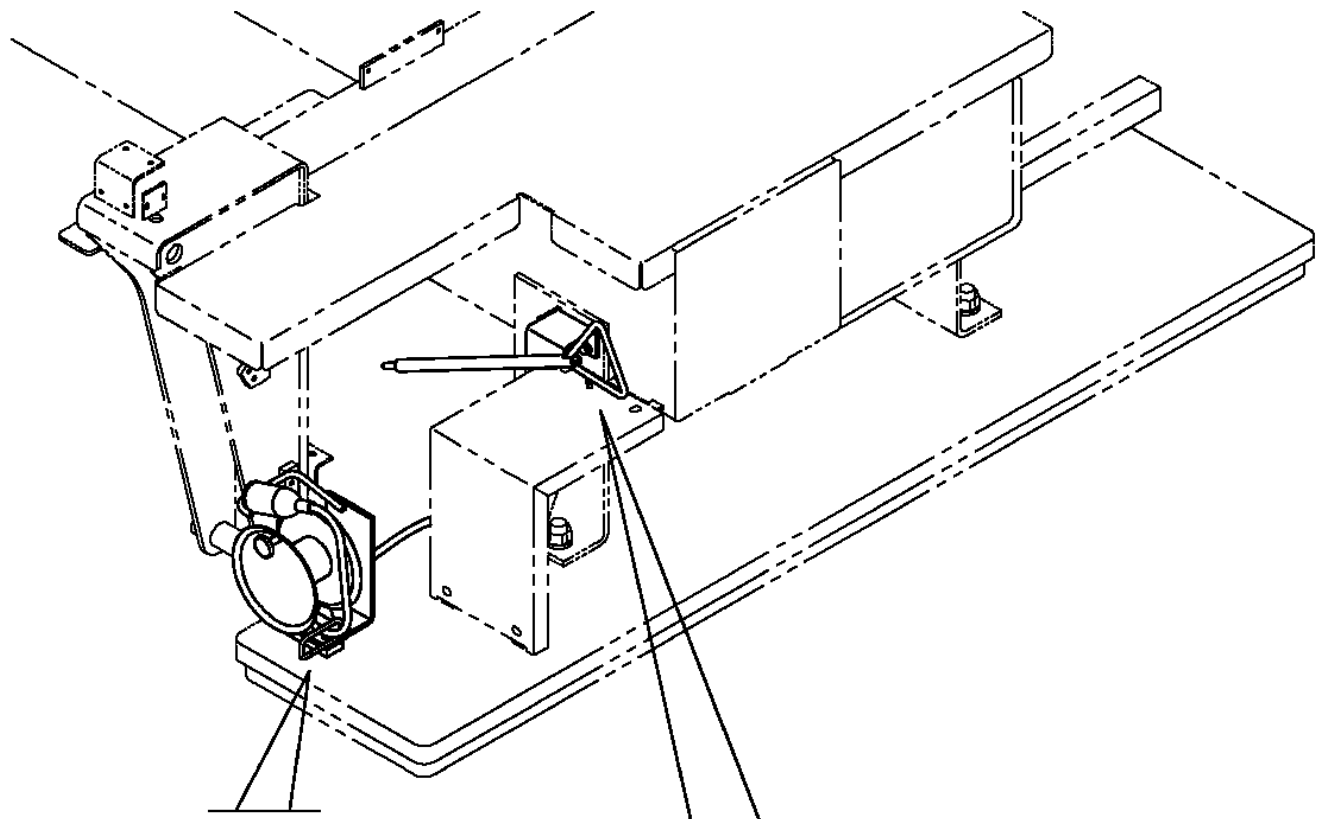
△:PACKING SET KEY NO.51 (KEY NO.2,3,4,7,9,10,11,13,14)

AT-121-3 43007330542 UPPER,LOWER,HINO TKG-XZU600E-TKTQC6  
PD1010172-00 REDUCER,SWING SPEED

50



AT-121-3 43007330542 UPPER,LOWER,HINO TKG-XZU600E-TKTQC6  
PE5010039-00 EARTH ASSY (8X10M)



# AT-121-3 43007330542 UPPER,LOWER,HINO TKG-XZU600E-TKTQC6

Pos No.	Parts No	Parts Name	Qty	Unit	Technical Data	Serial No (Start)	Serial No (End)
1	42355791000	DETECTOR,ANGLE	1				
2	80172805014	SCREW,MACHINE	2		M5X14		HJ5422
	80192485014	SCREW,MACHINE (WITH WASHER)	2		M5X14	HJ5423	
3	90303520501	WASHER,PLAIN	4		5		HJ5422
	90303070501	WASHER,PLAIN	2		5	HJ5423	
4	90201500500	NUT	2		M5		HJ5422
	90201200500	NUT	2		M5	HJ5423	
5	90302510501	WASHER,SPRING	2		5		HJ5422
6	42357400101	PLATE	1		T=1		
7	90302040801	WASHER,SPRING	1		8		
8	90180208014	BOLT,BUTTON	1		M8X14		
9	42355790300	SUPPORT	1				
10	82100002002	CLAMP	1		WR6		
11	91810130240	FASTENER	10				
12	90280200800	NUT,FLANGE	1		M8		
13	90750005081	SCREW,SET	1		M5X8		

**AT-121-3 43007330542 UPPER,LOWER,HINO TKG-XZU600E-TKTQC6**

Pos No.	Parts No	Parts Name	Qty	Unit	Technical Data	Serial No (Start)	Serial No (End)	Remarks
1	42510220010	FLOAT	4					
2	42510220020	PLATE	4					
3	42510220030	SUPPORT	4					
4	90172108045	BOLT,HEXAGON SOCKET	16		M8X45			
5	90303070801	WASHER,PLAIN	16		8			
6	90201200800	NUT	32		M8			

**AT-121-3 43007330542 UPPER,LOWER,HINO TKG-XZU600E-TKTQC6**

Pos No.	Parts No	Parts Name	Qty	Unit	Technical Data	Serial No (Start)	Serial No (End)	Remark
1	(*****)	BOOM ASSY	1					
2	(*****)	CYLINDER,TELESCOPING	1					
3	(*****)	PIPING ASSY,BOOM	1					
4	(*****)	ELEC.ASSY,BOOM	1					
5	(*****)	DETECTOR,BOOM LENGTH	1					
6	(*****)	MOUNT ASSY,COVER (BOOM)	1					
7	(*****)	CYLINDER,LEVELING (UPPER)	1					

# AT-121-3 43007330542 UPPER,LOWER,HINO TKG-XZU600E-TKTQC6

Pos No.	Parts No	Parts Name	Qty	Unit	Technical Data	Serial No (Start)	Serial No (End)	Remarks
1	44350240100	SWITCH ASSY	1					
2	90101206028	BOLT	3		M6X28			
3	37000512320	PLATE	3					
4	90240200600	NUT,CAP	3		M6			
5	82400000095	GROMMET	1					
6	91810130240	FASTENER	10					
7	90303070601	WASHER,PLAIN	6		6			
8	37002211640	PLATE,NAME (FOOT SWICH)	1				HJ2582	
9	91850310405	CLAMP (BLACK)	1			HJ2583		

# AT-121-3 43007330542 UPPER,LOWER,HINO TKG-XZU600E-TKTQC6

Pos No.	Parts No	Parts Name	Qty	Unit	Technical Data	Serial No (Start)	Serial No (End)	Remarks	P
1	42654790500	HARNESS (AMC:CNA1)	1						

# AT-121-3 43007330542 UPPER,LOWER,HINO TKG-XZU600E-TKTQC6

Pos No.	Parts No	Parts Name	Qty	Unit	Technical Data	Serial No (Start)	Serial No (End)	Remarks	Pages
9	82100001839	FUSE	1		10A.RED				
	82100001839	FUSE	1		10A.RED				
50	42508140100	HARNESS	1						
	42508140100	HARNESS	1						

# AT-121-3 43007330542 UPPER,LOWER,HINO TKG-XZU600E-TKTQC6

Pos No.	Parts No	Parts Name	Qty	Unit	Technical Data	Serial No (Start)	Serial No (End)	Remarks	Pages
1	42355900200	HARNESS	1						

# AT-121-3 43007330542 UPPER,LOWER,HINO TKG-XZU600E-TKTQC6

Pos No.	Parts No	Parts Name	Qty	Unit	Technical Data	Serial No (Start)	Serial No (End)	Remarks	Pages
100	42510370600	HARNESS	1						

# AT-121-3 43007330542 UPPER,LOWER,HINO TKG-XZU600E-TKTQC6

Pos No.	Parts No	Parts Name	Qty	Unit	Technical Data	Serial No (Start)	Serial No (End)	Remarks	Pages
1	42332521400	HARNESS	1						

**AT-121-3 43007330542 UPPER,LOWER,HINO TKG-XZU600E-TKTQC6**

Pos No.	Parts No	Parts Name	Qty	Unit	Technical Data	Serial No (Start)	Serial No (End)	Remarks	Pages
5	91002902500	O-RING	4		1B G25				
6	36606655020	SPRING	2						
7	36606405070	SPACER	2						
8	80316090020	PLUG	2		KKT PT1/8				
10	36606405052	PLUG	2						
51	36606669010	POPPET ASSY	2						
100	36606650000	VALVE,RELIEF	1						

**AT-121-3 43007330542 UPPER,LOWER,HINO TKG-XZU600E-TKTQC6**

Pos No.	Parts No	Parts Name	Qty	Unit	Technical Data	Serial No (Start)	Serial No (End)	Remarks	Pages
12	91002801400	O-RING	2		1B P14				
100	36625740001	VALVE,CHECK	1						

# AT-121-3 43007330542 UPPER,LOWER,HINO TKG-XZU600E-TKTQC6

Pos No.	Parts No	Parts Name	Qty	Unit	Technical Data	Serial No (Start)	Serial No (End)	Remarks	Pages
1	42321151101	COVER	1						
2	42321112201	COVER	1						
3	82464122900	HINGE	2						
4	90190204010	BOLT	8		M4X10				
5	90303520401	WASHER,PLAIN	8		4				
6	90302510401	WASHER,SPRING	8		4				
7	90201500400	NUT	8		M4				
8	82460025402	CATCH	1						
9	90302040501	WASHER,SPRING	4		5				
10	80175805010	SCREW,MACHINE	4		M5X10				
11	90201200500	NUT	4		M5				
13	80172304008	SCREW,MACHINE	2		M4X8				
14	90201200400	NUT	1		M4				
15	90240200400	NUT,CAP	1		M4				
16	90303070401	WASHER,PLAIN	2		4				
17	42321112010	CHAIN	1						
100	42321151000	COVER	1						

CLICK HERE TO **DOWNLOAD** THE COMPLETE MANUAL

- Thank you very much for reading the preview of the manual.
- You can download the complete manual from: [www.heydownloads.com](http://www.heydownloads.com) by clicking the link below



- Please note: If there is no response to CLICKING the link, please download this PDF first and then click on it.

CLICK HERE TO **DOWNLOAD** THE COMPLETE MANUAL

# AT-121-3 43007330542 UPPER,LOWER,HINO TKG-XZU600E-TKTQC6

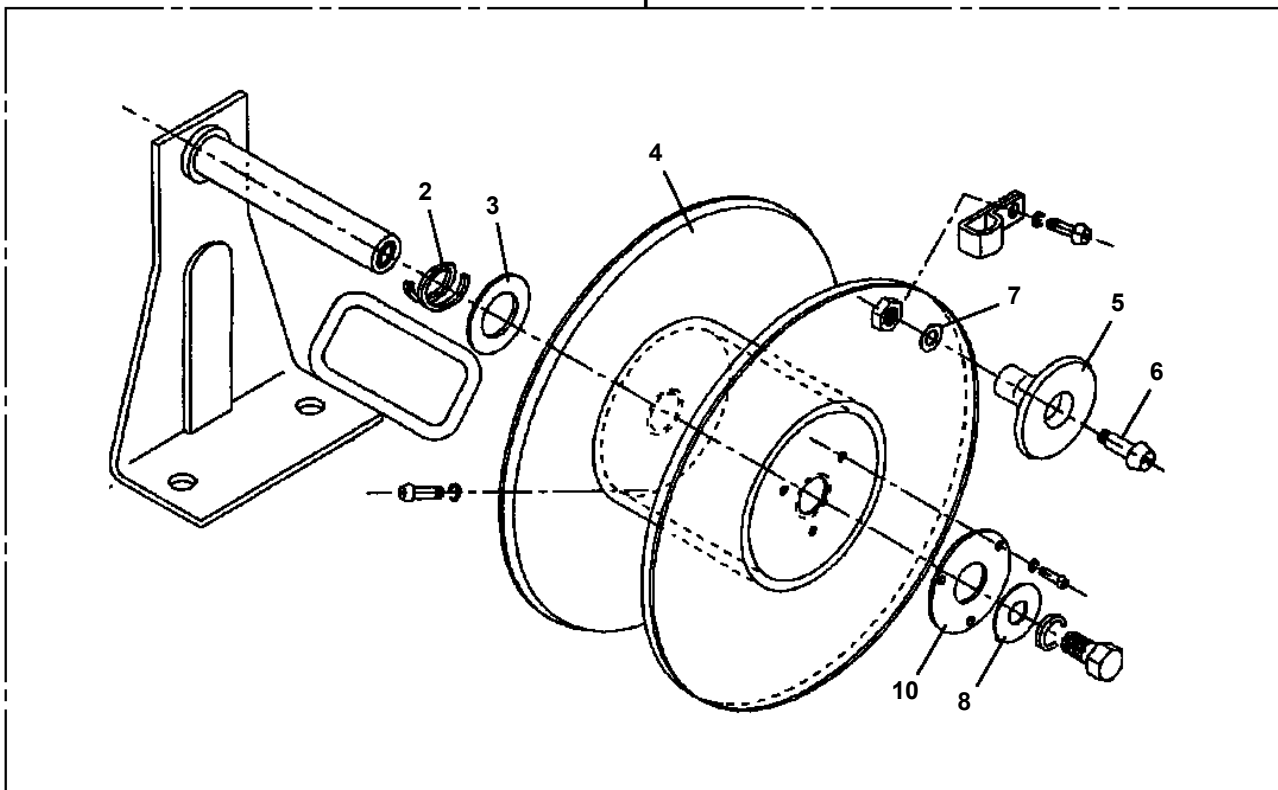
Pos No.	Parts No	Parts Name	Qty	Unit	Technical Data	Serial No (Start)	Serial No (End)	Re
1	42505221100	GUARD (STEEL CAST)	4					
2	82199444329	LAMP (YELLOW)	4		24V 12W			
3	90101206030	BOLT	8		M6X30			
4	90302040601	WASHER,SPRING	17		6			
5	90201200600	NUT	6		M6			
6	82100002006	CLAMP	2		WR10			
7	90101206016	BOLT	2		M6X16			
8	82100002010	CLAMP	2		WR15			
9	42509490400	SUPPORT	2					
10	42509490040	COVER	1					
11	90303070601	WASHER,PLAIN	10		6			
12	90101206010	BOLT	7		M6X1.0			
13	90101210030	BOLT	4		M10X30			
14	90303070801	WASHER,PLAIN	2		8			
15	90101208020	BOLT	2		M8X20			
16	90201200800	NUT	2		M8			
17	90302040801	WASHER,SPRING	2		8			
18	34354781710	RELAY (WITH BRACKET)	1					
20	42736070100	SWITCH ASSY (WITH HARNESS)	1					
21	42509490010	PLATE,NAME	1					
22	42509490101	HARNESS	1					
23	91810130240	FASTENER	20					
24	42509490500	COVER	1					
25	42509490050	COVER	1					
41	82166600010	BULB,LAMP	4		24V/12W			

**AT-121-3 43007330542 UPPER,LOWER,HINO TKG-XZU600E-TKTQC6**

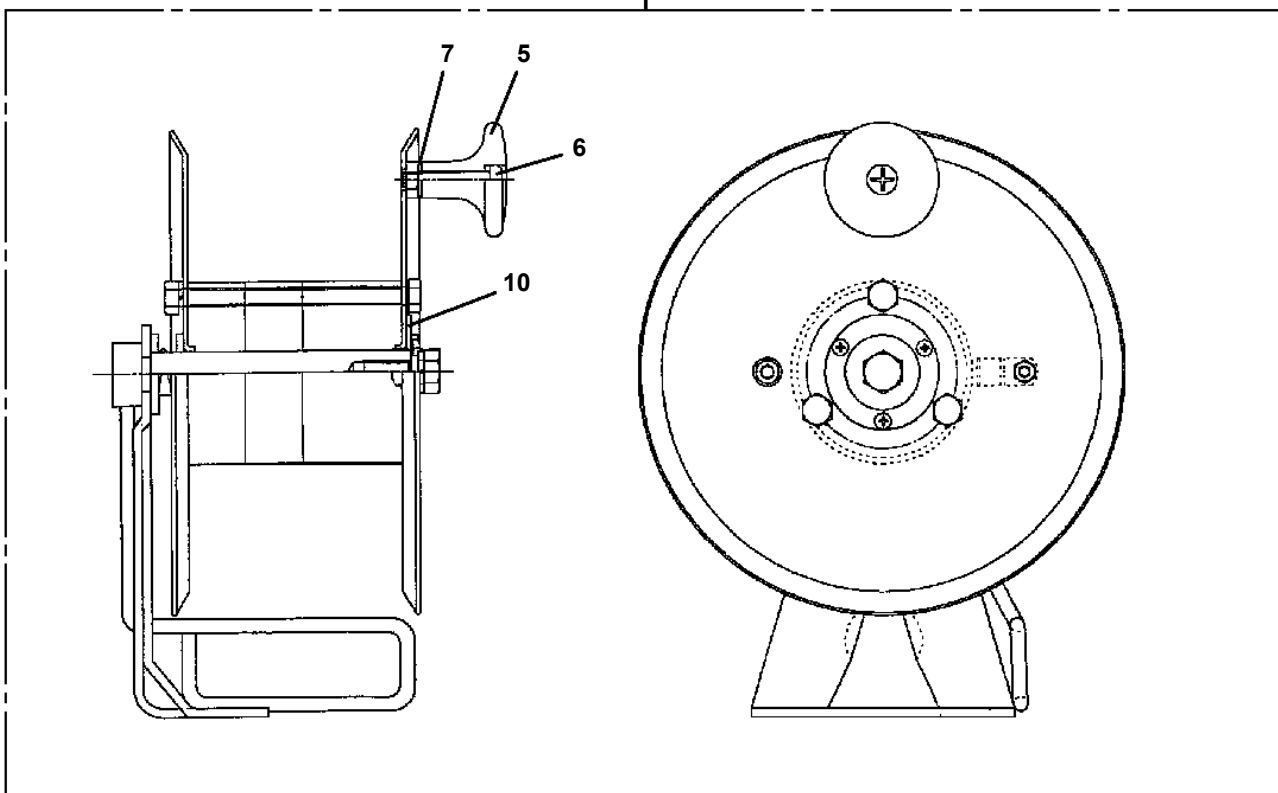
Pos No.	Parts No	Parts Name	Qty	Unit	Technical Data	Serial No (Start)	Serial No (End)	Remark
1	82100003008	LAMP (LED BULB/YELLOW)	4		24V			

AT-121-3 43007330542 UPPER,LOWER,HINO TKG-XZU600E-TKTQC6  
PN1350029-01 REEL, CORD (FOR EARTHING)

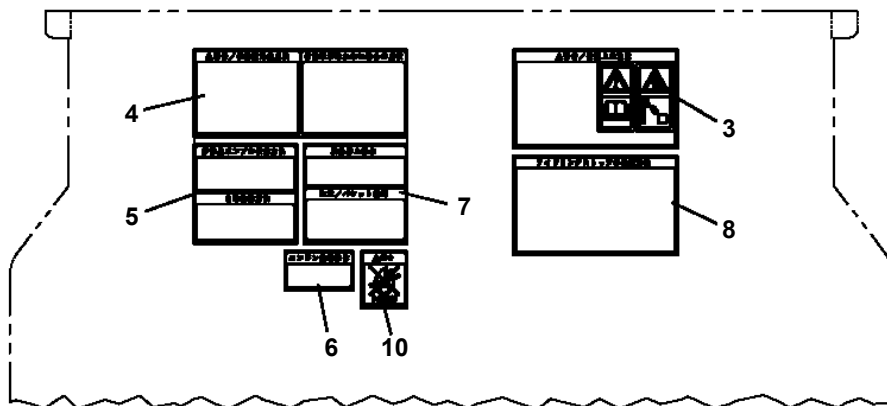
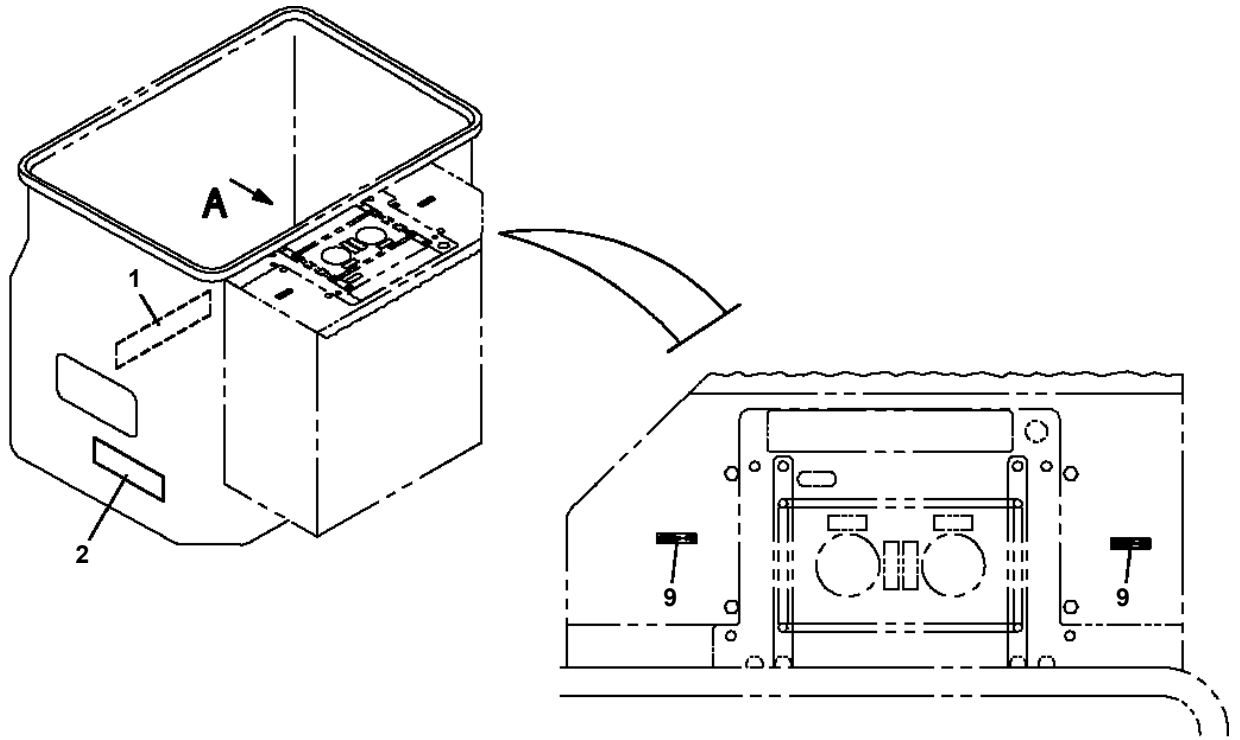
50



50



AT-121-3 43007330542 UPPER,LOWER,HINO TKG-XZU600E-TKTQC6  
PN5010632-01 NAME PLATE ASSY (BUCKET)



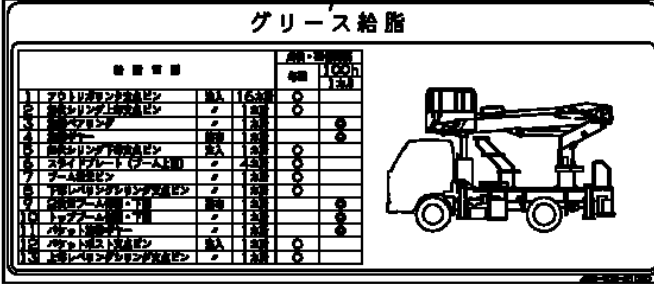
A

AT-121-3 43007330542 UPPER,LOWER,HINO TKG-XZU600E-TKTQC6  
PN5010690-00 NAME PLATE ASSY (VEHICLE)

16

グリース給脂

部位名	油種	容量	注油時期
1 アウトリガシリンダ油圧ポンプ	油圧油	1.5L	○
2 アウトリガシリンダ油圧ポンプ	油圧油	1.5L	○
3 アウトリガシリンダ油圧ポンプ	油圧油	1.5L	○
4 アウトリガシリンダ油圧ポンプ	油圧油	1.5L	○
5 アウトリガシリンダ油圧ポンプ	油圧油	1.5L	○
6 スタイアブレーキ(フーム)油圧	油圧油	1.5L	○
7 フーム油圧ポンプ	油圧油	1.5L	○
8 アウトリガシリンダ油圧ポンプ	油圧油	1.5L	○
9 アウトリガシリンダ油圧ポンプ	油圧油	1.5L	○
10 アウトリガシリンダ油圧ポンプ	油圧油	1.5L	○
11 アウトリガシリンダ油圧ポンプ	油圧油	1.5L	○
12 アウトリガシリンダ油圧ポンプ	油圧油	1.5L	○
13 アウトリガシリンダ油圧ポンプ	油圧油	1.5L	○



18

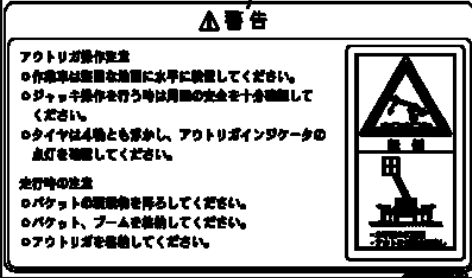
△警告

アウトリガ操作注意

- 作業車は直前の位置に水平に設置してください。
- ジャッキ操作を行う時は周囲の安全を十分確認してください。
- タイヤは4輪とも浮かし、アウトリガインジケータの点灯を確認してください。

走行時の注意

- パケットの取っ手を降ろしてください。
- パケット、フームを後倒してください。
- アウトリガを後倒してください。



19

△警告/足元注意

アウトリガ操作時、足元に注意してください



20

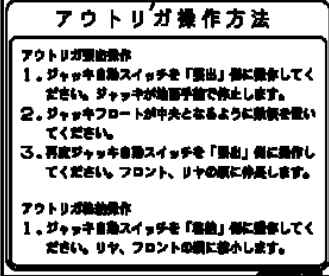
アウトリガ操作方法

アウトリガ要領操作

- ジャッキ自動スイッチを「要出」側に操作してください。ジャッキが始動準備で停止します。
- ジャッキフロートが中央となるように取っ手を倒してください。
- 再度ジャッキ自動スイッチを「要出」側に操作してください。フロント、リヤの順に伸長します。

アウトリガ後倒操作


- ジャッキ自動スイッチを「要倒」側に操作してください。リヤ、フロントの順に後倒します。



21

注意/アウトリガ操作

アウトリガ要出時はジャッキが本機前方方向に広がります。操作前に荷物が高いことを確認してください。



22



23

項目	内容
1	...
2	...
3	...
4	...
5	...
6	...
7	...
8	...
9	...
10	...
11	...
12	...

24

特別検査済の決まりは必ず確認してください

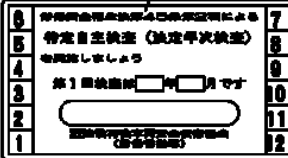
特定自主検査 (決定年次検査)

合格確認しなす

第1回検査日: 年 月 日

検査機関:


検査官:



25

AC100V (10A)

取入口



27

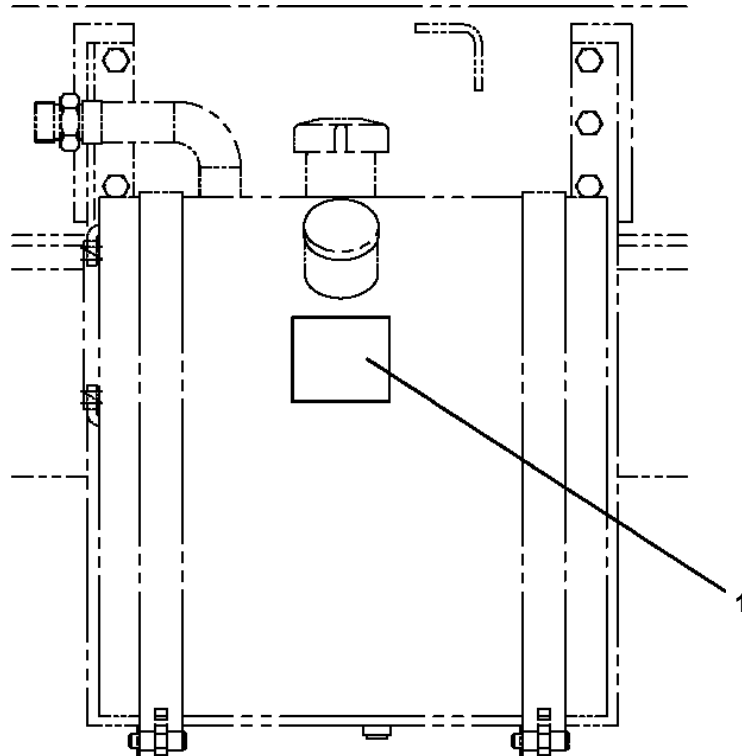
△警告

昇降禁止

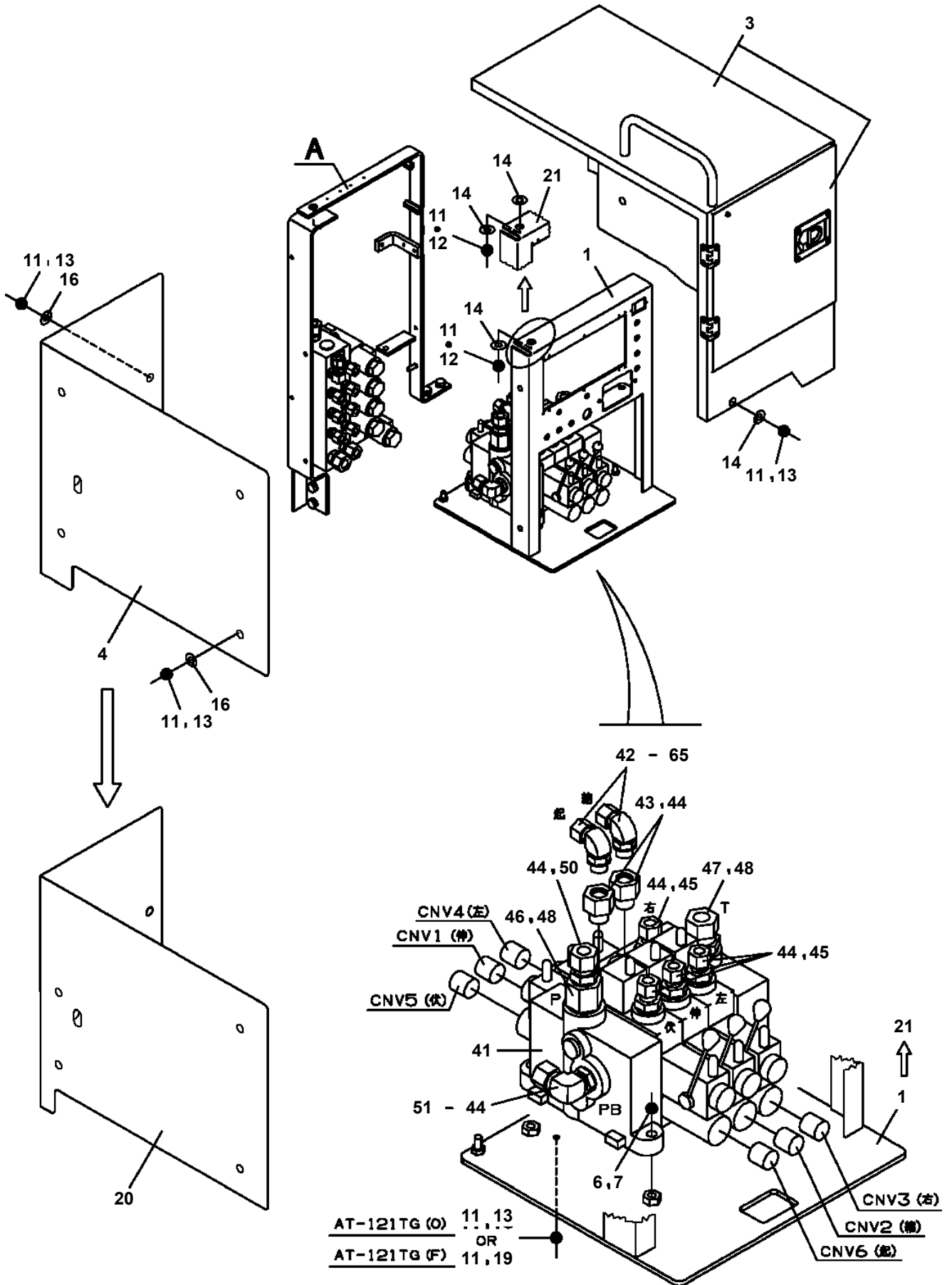




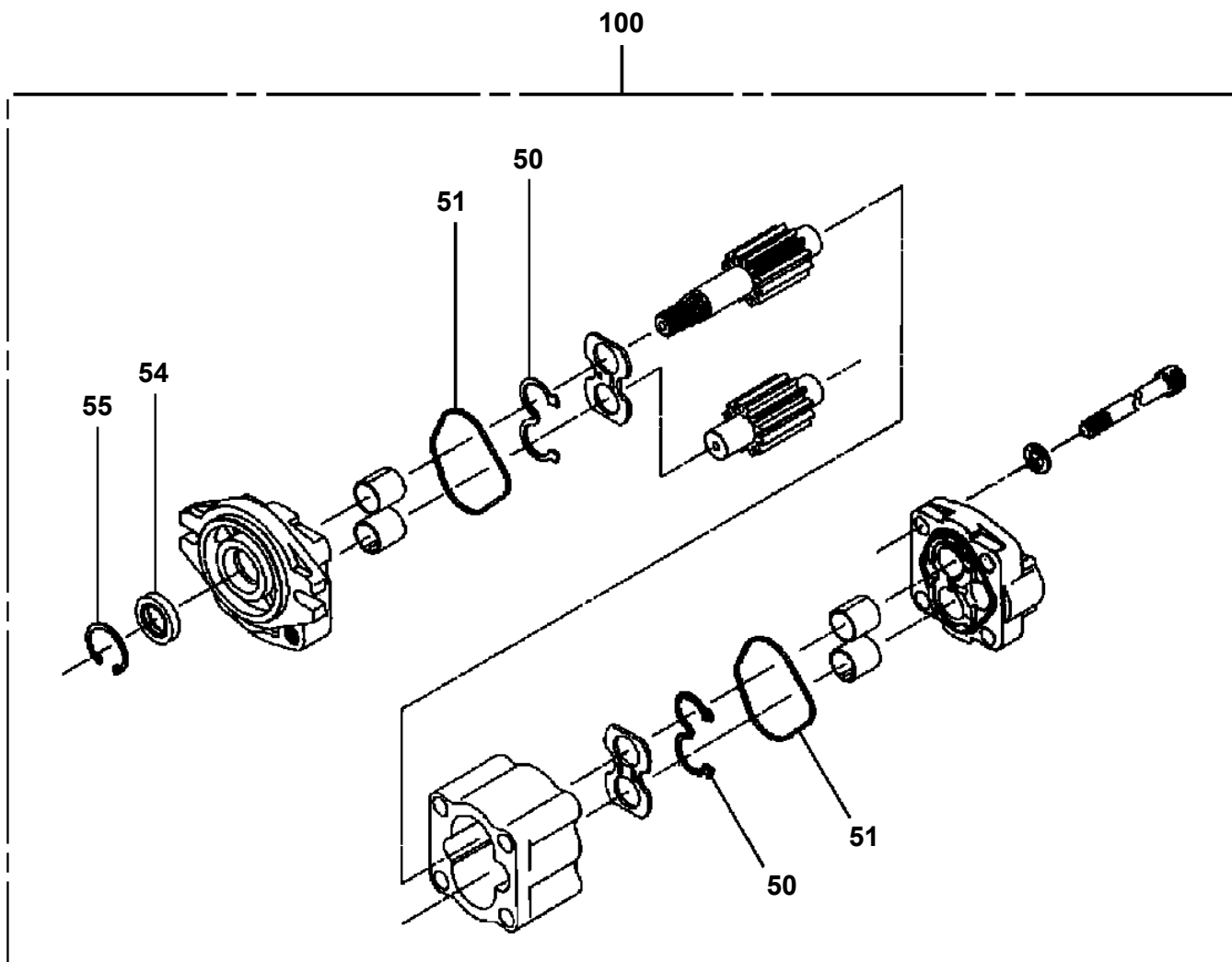
AT-121-3 43007330542 UPPER,LOWER,HINO TKG-XZU600E-TKTQC6  
PO1014634-01 PLATE ASSY,NAME (OIL/COLD DISTRICT)



**AT-121-3 43007330542 UPPER,LOWER,HINO TKG-XZU600E-TKTQC6  
PO5080072-03 OPE.ASSY,CONT.VALVE**

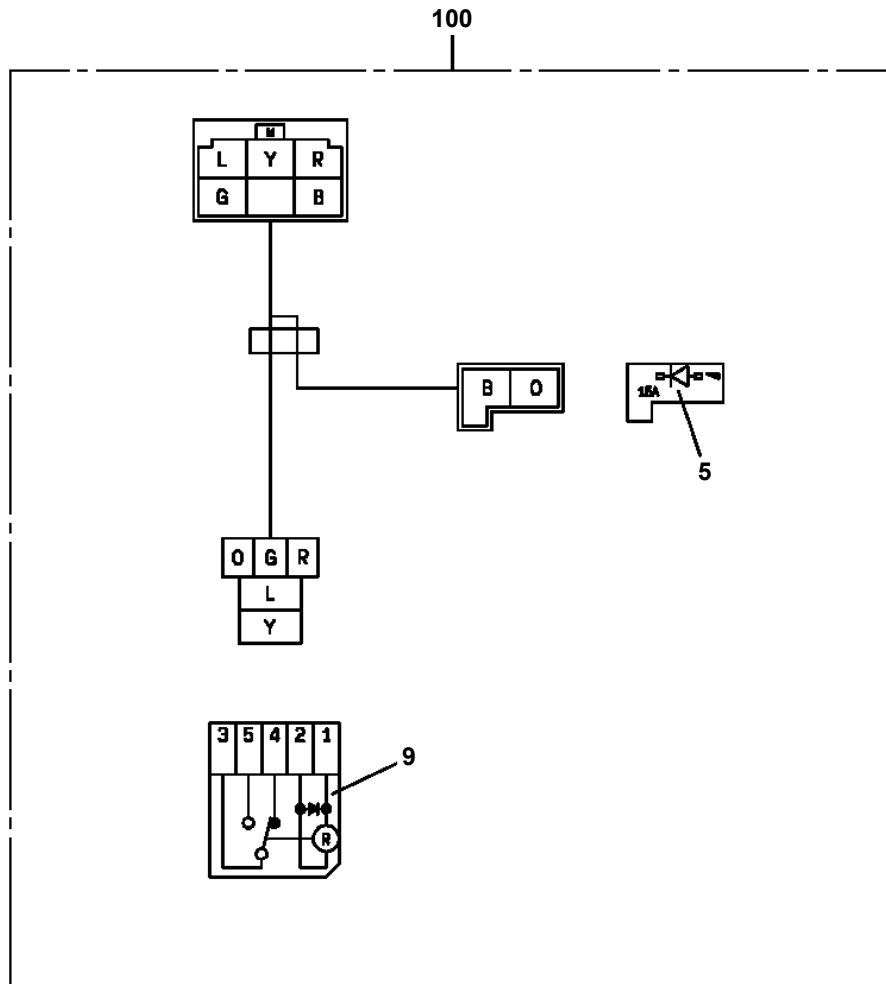


AT-121-3 43007330542 UPPER,LOWER,HINO TKG-XZU600E-TKTQC6  
PP5500003-00 PUMP,OIL (32CC:L)

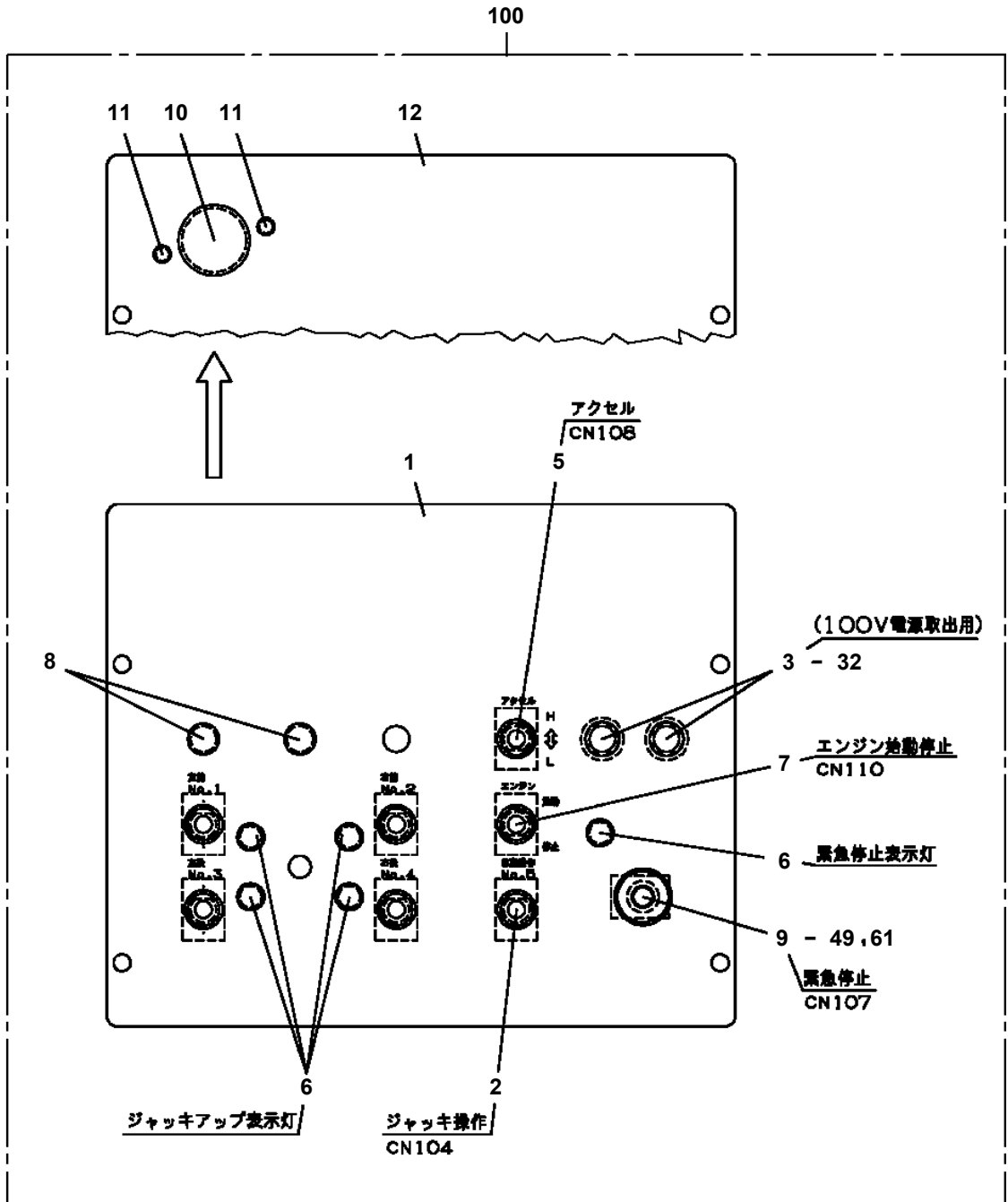




AT-121-3 43007330542 UPPER,LOWER,HINO TKG-XZU600E-TKTQC6  
PR5210003-00 RELAY

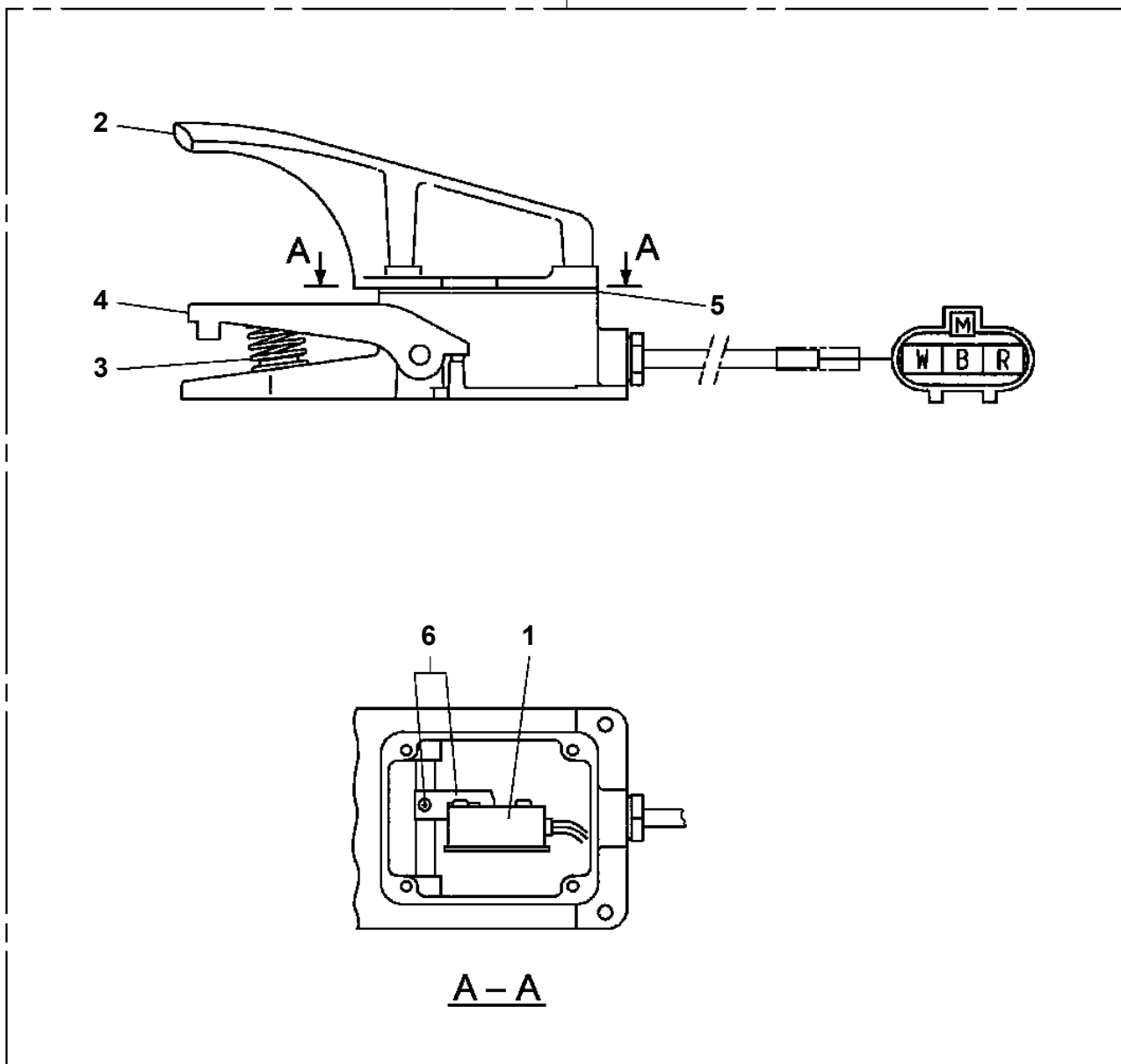


AT-121-3 43007330542 UPPER,LOWER,HINO TKG-XZU600E-TKTQC6  
 PS5530113-02 SWITCH ASSY



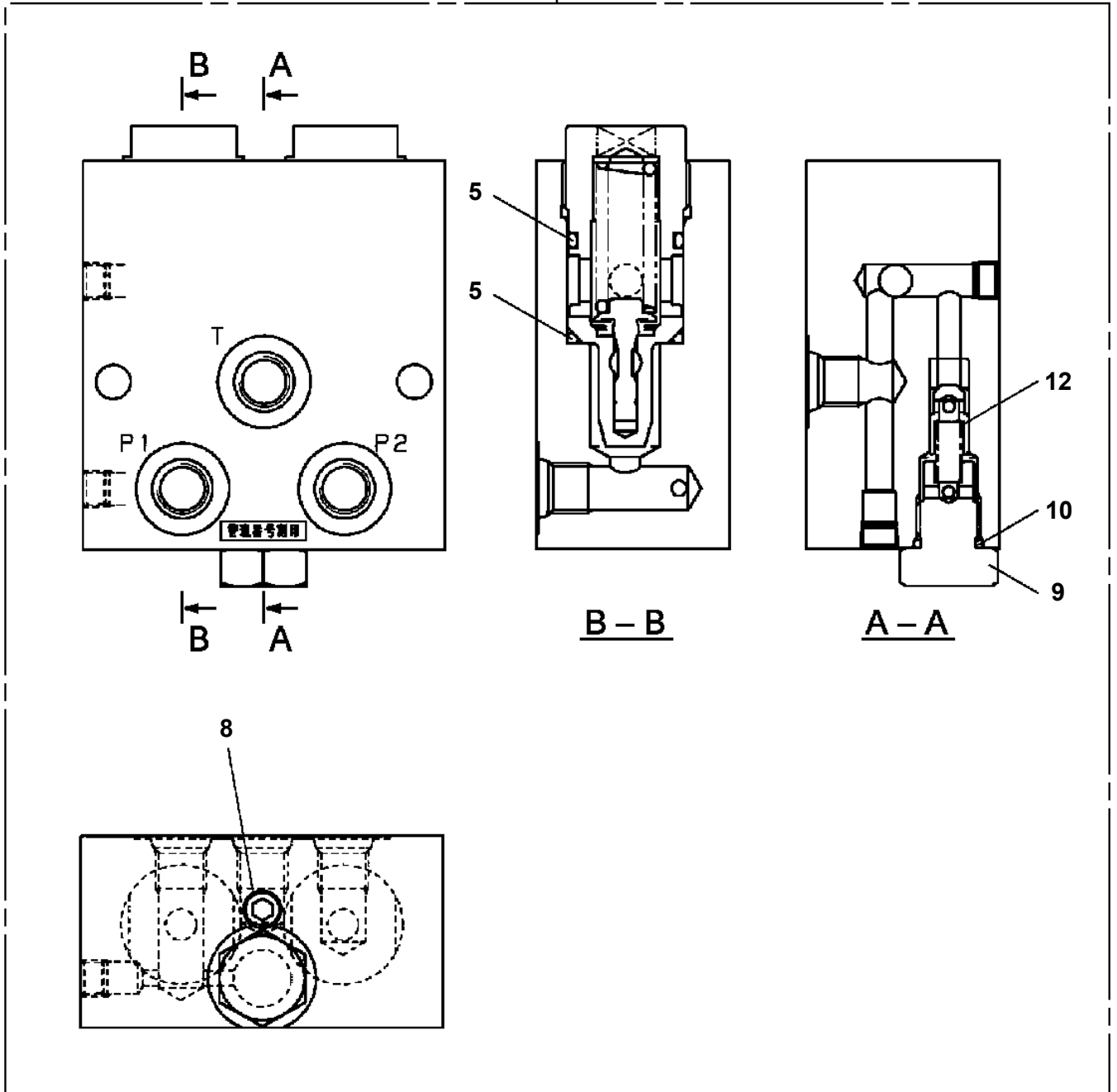
AT-121-3 43007330542 UPPER,LOWER,HINO TKG-XZU600E-TKTQC6  
PS5530450-00 SWITCH ASSY

100



AT-121-3 43007330542 UPPER,LOWER,HINO TKG-XZU600E-TKTQC6  
PV5140017-00 VALVE ASSY,RELIEF

100



# AT-121-3 43007330542 UPPER,LOWER,HINO TKG-XZU600E-TKTQC6

Pos No.	Parts No	Parts Name	Qty	Unit	Technical Data	Serial No (Start)	Serial No (End)	Remarks	Pages
1	(*****)	ACCESSORIES ASSY	1						00019

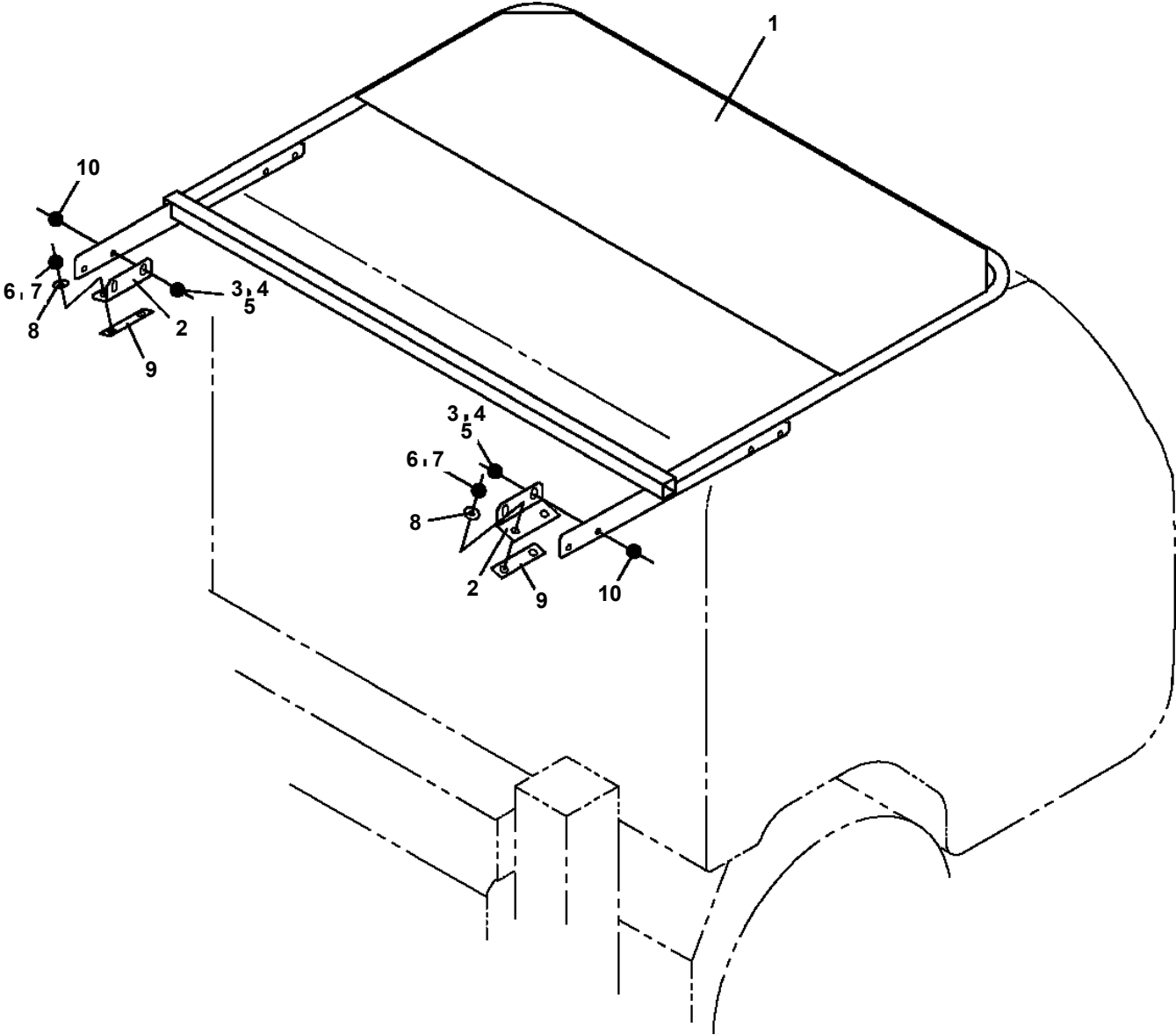
**AT-121-3 43007330542 UPPER,LOWER,HINO TKG-XZU600E-TKTQC6**

Pos No.	Parts No	Parts Name	Qty	Unit	Technical Data	Serial No (Start)	Serial No (End)
1	42460012550	WEDGE (STOPPER FOR TIRE/JUSTIN)	1				

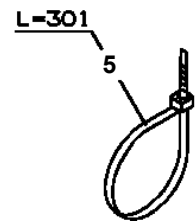
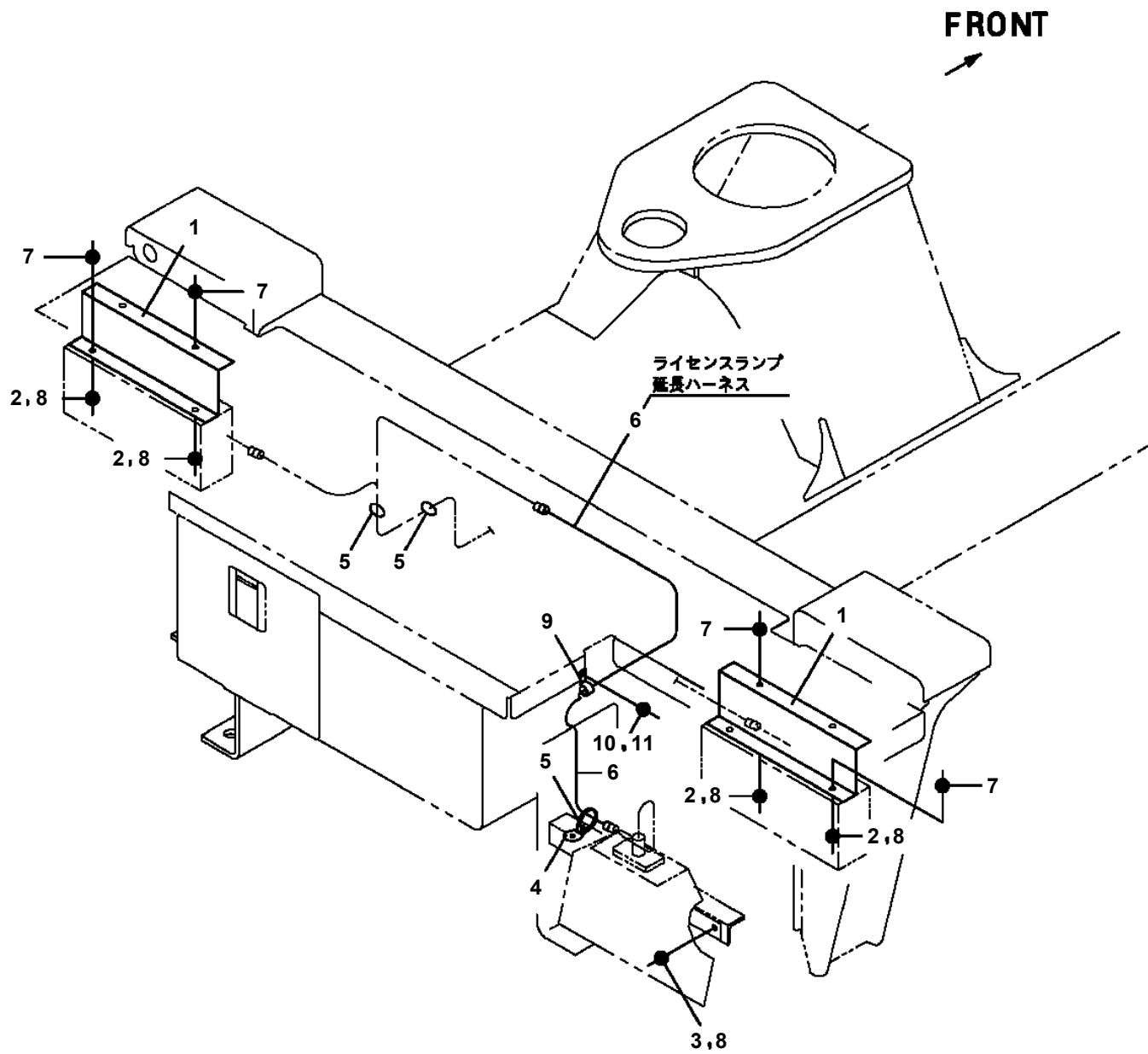
# AT-121-3 43007330542 UPPER,LOWER,HINO TKG-XZU600E-TKTQC6

Pos No.	Parts No	Parts Name	Qty	Unit	Technical Data	Serial No (Start)	Serial No (End)	Remarks	Pages
1	(***** )	MOUNT ASSY,DECK	1						000176

**AT-121-3 43007330542 UPPER,LOWER,HINO TKG-XZU600E-TKTQC6  
PX5290031-00 MOUNT ASSY,DECK ON CAB (FRONT GLASS PROTECTION)**



AT-121-3 43007330542 UPPER,LOWER,HINO TKG-XZU600E-TKTQC6  
PX5740022-00 MOUNT ASSY,TAIL LAMP



# AT-121-3 43007330542 UPPER,LOWER,HINO TKG-XZU600E-TKTQC6

Pos No.	Parts No	Parts Name	Qty	Unit	Technical Data	Serial No (Start)	S
1	42460021000	BELT,SAFETY	1				H
	42461162000	FALL ARREST SYSTEM (TB-LSA-550/FUJII-DENKO)	1			HJ5496	
2	(*****)	WOOD BLOCK (W=350,H=80)	4				
3	42460012540	WEDGE (STOPPER FOR TIRE/NAKAMURA KIKI)	4				H
	42460012530	WEDGE (STOPPER FOR TIRE/WAZUMI)	4				H
	42460012550	WEDGE (STOPPER FOR TIRE/JUSTIN)	4			HJ3204	
4	(*****)	PUMP,GREASE (400CC)	1				
5	42473931000	TOOLS	1				
6	42503380000	CABLE (3 POLE)	1				
8	42515540000	COVER ASSY (FRP BUCKET)	1			HJ3816	

**AT-121-3 43007330542 UPPER,LOWER,HINO TKG-XZU600E-TKTQC6**

Pos No.	Parts No	Parts Name	Qty	Unit	Technical Data	Serial No (St
1	(***** *****)	ALARM ASSY (EXHAUST GAS)	1			
	(***** *****)	ALARM ASSY (EXHAUST GAS PURIFIER DEVICE)	1			HJ2820
2	(***** *****)	MOUNT ASSY (LOADING)	1			
3	(***** *****)	MOUNT ASSY,DECK ON CAB (FRONT GLASS PROTECTION)	1			
4	(***** *****)	EARTH ASSY (8X10M)	1			

CLICK HERE TO **DOWNLOAD** THE COMPLETE MANUAL

- Thank you very much for reading the preview of the manual.
- You can download the complete manual from: [www.heydownloads.com](http://www.heydownloads.com) by clicking the link below



- Please note: If there is no response to CLICKING the link, please download this PDF first and then click on it.

CLICK HERE TO **DOWNLOAD** THE COMPLETE MANUAL