

AT-121-3 43007343453 UPPER,LOWER,ISUZU 2RG-NKR88N-EJ5AHY-D

PB0000276-02 UPPER STRUCTURE SYSTEM

PB0000500-02 LOWER STRUCTURE SYSTEM

ASSEMBLY

CLICK HERE TO **DOWNLOAD** THE COMPLETE MANUAL

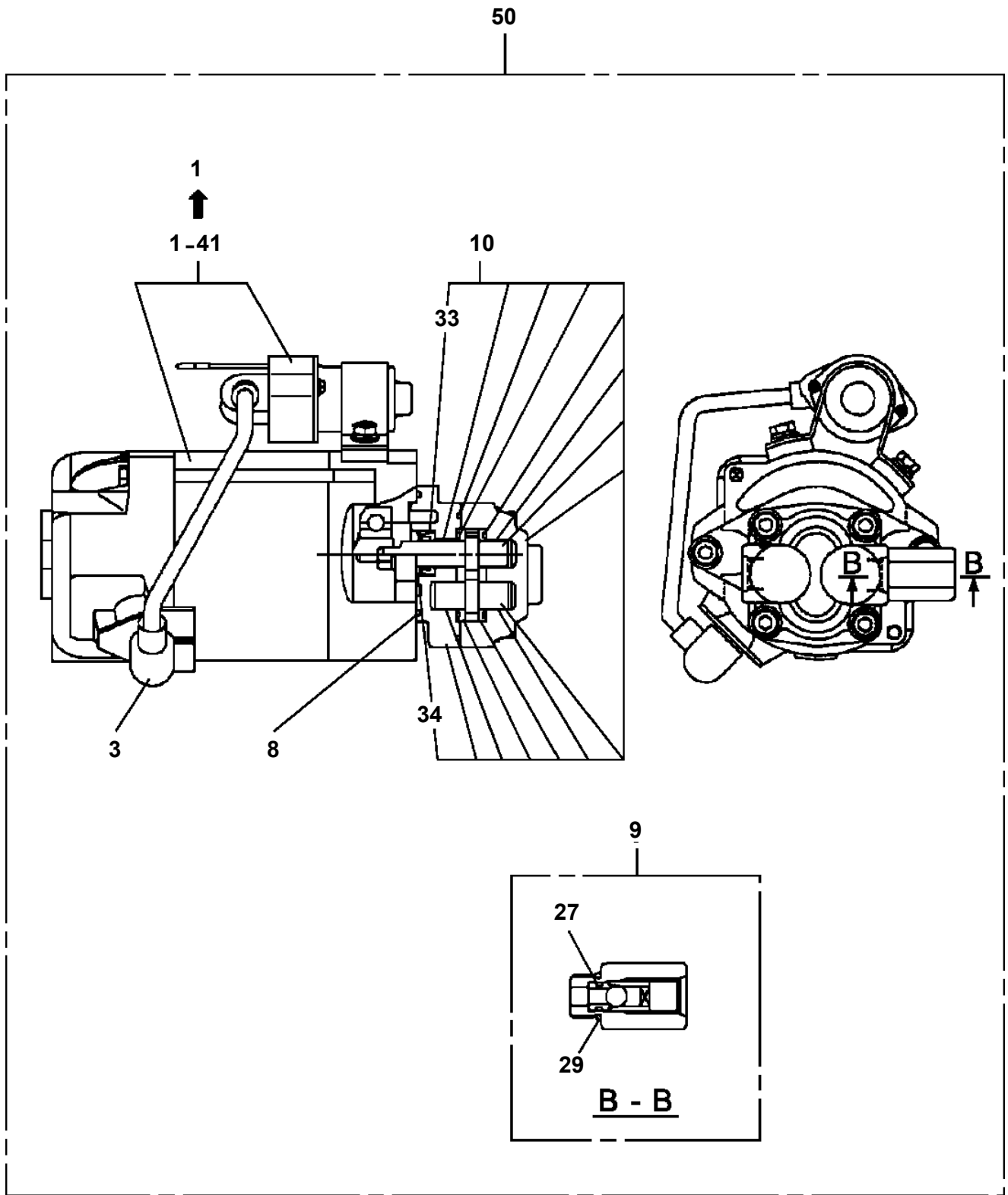
- Thank you very much for reading the preview of the manual.
- You can download the complete manual from: www.heydownloads.com by clicking the link below



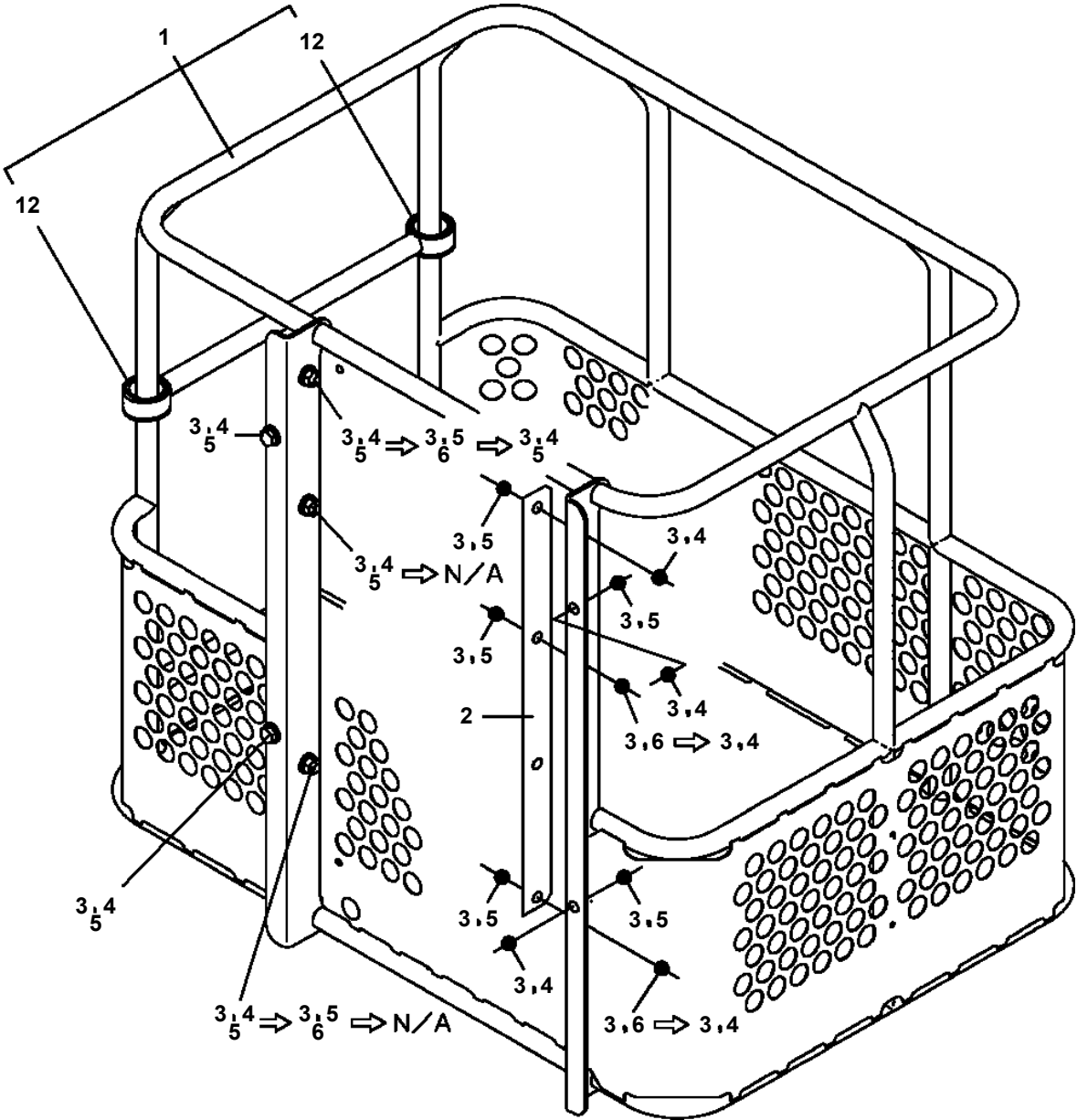
- Please note: If there is no response to CLICKING the link, please download this PDF first and then click on it.

CLICK HERE TO **DOWNLOAD** THE COMPLETE MANUAL

AT-121-3 43007343453 UPPER,LOWER,ISUZU 2RG-NKR88N-EJ5AHY-D
PB1100101-02 PUMP,HYDRAULIC (EMERGENCY)



AT-121-3 43007343453 UPPER,LOWER,ISUZU 2RG-NKR88N-EJ5AHY-D
PB5040014-01 BASKET ASSY (PIPE)



AT-121-3 43007343453 UPPER,LOWER,ISUZU 2RG-NKR88N-EJ5AHY-D

Pos No.	Parts No	Parts Name	Qty	Unit	Technical Data	Serial No (Start)	Serial No (End)	Remarks
1	42266611000	POST ASSY	1					
2	42268191001	FRAME ASSY	1					
4	37000159360	PIN	1					
5	80136363050	PIN,SPLIT	1		6.3X50			
6	82456101000	NIPPLE,GREASE	1		A-PT1/8			
7	42262252100	WHEEL,WORM	1					
8	80601110750	RING,RITAINING	1		S75			
9	37000586760	WASHER,PLAIN	8		12			
10	90171112055	BOLT	4		M12X55			
11	90201781200	NUT	4		M12			
12	90102212040	BOLT	1		M12X40			
13	90201201200	NUT	1		M12			
14	90303071001	WASHER,PLAIN	4		10			
15	90302041001	WASHER,SPRING	4		10			
16	90171110030	BOLT	4		M10X30			
17	42264154600	SHIM	N		T=0.2			
32	80820003540	BEARING,PLAIN	2					
42	80513006015	BEARING,BALL	2					
51	42262053400	MOTOR,ELECTRIC	1					
52	90172105045	BOLT,HEXAGON SOCKET	3		M5X45			
53	90302040501	WASHER,SPRING	3		5			
54	42268192101	GEAR ASSY	1					
55	90303070501	WASHER,PLAIN	3		5			
71	42264040800	WHEEL,WORM	1					
72	42265680200	STOPPER	1					
73	90172110035	BOLT,HEXAGON SOCKET	2		M10X35			
74	90309341003	WASHER,SPRING (10)	2					
91	42262053410	MOTOR,ELECTRIC	1					
92	44260301150	COVER	1					
93	91810132530	FASTENER	2					
101	44260307510	GEAR ASSY (WHEEL)	1					
102	44260307530	WASHER,TOOTH	1					

AT-121-3 43007343453 UPPER,LOWER,ISUZU 2RG-NKR88N-EJ5AHY-D

Pos No.	Parts No	Parts Name	Qty	Unit	Technical Data	Serial No (Start)	Serial No (End)	Remarks	Pages
1	42507960100	COVER	1						
2	42500160201	COVER	1						
3	90101208080	BOLT	2		M8X80				
4	37000506550	PLATE	2		T=1.6				
5	91810130270	FASTENER	10						

AT-121-3 43007343453 UPPER,LOWER,ISUZU 2RG-NKR88N-EJ5AHY-D

Pos No.	Parts No	Parts Name	Qty	Unit	Technical Data	Serial No (Start)	Serial No (End)	Remarks	P
1	90730008120	SCREW,SET	1		M8X12				
2	91684007501	PACKING	2						
3	91431206201	RING,BACKUP	2						
4	91002903500	O-RING	1		1B G35				
5	36035920300	PISTON	1						
6	36036732001	ROD	1						
7	91332207500	BEARING,PLAIN	2						
8	36036731001	CYLINDER	1						
9	91002907000	O-RING	1		1B G70				
10	91694006000	PACKING	1						
11	91430206002	RING,BACKUP	1						
12	36036739511	COVER,ROD	1						
13	91660006000	SEAL,DUST	1						
14	91002907500	O-RING	1		1B G75				
15	80612110680	RING,RITAINING	1		AR68				
16	80801006060	BEARING,PLAIN	1						
17	80622000600	RING,RITAINING	1		SP60				
51	36036739901	PACKING SET	1		60X75				
100	36036730001	CYLINDER ASSY,JACK	1						

AT-121-3 43007343453 UPPER,LOWER,ISUZU 2RG-NKR88N-EJ5AHY-D

Pos No.	Parts No	Parts Name	Qty	Unit	Technical Data	Serial No (Start)	Ser
1	36081325090	RING,SNAP	1				
2	36081325010	SPACER	1				
3	36081325080	SHIM SET	1				
4	36081325110	BEARING,TAPER ROLLER	1				
5	36081325020	WORM	1				
6	36081325120	BEARING,TAPER ROLLER	1				
7	36080755040	GAUGE,OIL	1				
8	36080235080	WASHER,SEAL	1		M16		
9	80316090060	PLUG	1		KKT PT3/8		
12	91280431931	SEAL,OIL	1				
13	36081325050	CASE,GEAR	1				
14	36081325130	BEARING,BALL(METAL SHIELD TYPE 6210ZZC3)	1				
15	36081325140	BEARING,BALL (RUBBER SEAL TYPE 6210LLU)	1				
16	36080495050	BOLT,SEMS (M10X25,WITH WASHER)	9				
17	36080505080	KEY	1				
18	36081325060	WHEEL,WORM	1				
19	36081325070	CASE,GEAR	1				
20	80500006209	BEARING,BALL	1				
21	80601110450	RING,RITAINING	1		S45		
22	36080015000	PIN	2				
23	82400000478	BREATHER	1				
31	36081615500	GEAR,SPUR	1				
50	36081610000	REDUCER,SWING SPEED	1				

AT-121-3 43007343453 UPPER,LOWER,ISUZU 2RG-NKR88N-EJ5AHY-D

Pos No.	Parts No	Parts Name	Qty	Unit	Technical Data	Serial No (Start)	Serial No (End)	Remarks
2	42974230200	SUPPORT	1					
3	42739710200	EARTH	1					
4	90101208016	BOLT	2		M8X16			
5	90302040801	WASHER,SPRING	5		8			
6	90201200600	NUT	1		M6			
7	90101208020	BOLT	3		M8X20			
8	37002710700	CABLE ASSY	1		L=450			
9	90303070801	WASHER,PLAIN	4		8			
10	37000587130	PLATE	1					
11	82100001802	TUBE,CORRUGATE	1	M	10			
12	37000570750	PLATE	1					
13	42974230100	SUPPORT	1					
14	82100002008	CLAMP	1		WR12			
15	90201200800	NUT	1		M8			
16	90302040601	WASHER,SPRING	1		6			
17	90155306015	BOLT,WELD	1		M6X15			
41	36160370000	REEL,CORD (FOR EARTHING)	1					
42	37002702730	CABLE ASSY	1		8X10000			
43	82198103050	CLIP (WITH CAP/BLACK)	1					
44	90201200500	NUT	1		M5			
45	90302040501	WASHER,SPRING	1		5			
46	90303070501	WASHER,PLAIN	1		5			

AT-121-3 43007343453 UPPER,LOWER,ISUZU 2RG-NKR88N-EJ5AHY-D

Pos No.	Parts No	Parts Name	Qty	Unit	Technical Data	Serial No (Start)	Serial No (End)
1	42355791000	DETECTOR,ANGLE	1				
2	80172805014	SCREW,MACHINE	2		M5X14		HJ5422
	80192485014	SCREW,MACHINE (WITH WASHER)	2		M5X14	HJ5423	
3	90303520501	WASHER,PLAIN	4		5		HJ5422
	90303070501	WASHER,PLAIN	2		5	HJ5423	
4	90201500500	NUT	2		M5		HJ5422
	90201200500	NUT	2		M5	HJ5423	
5	90302510501	WASHER,SPRING	2		5		HJ5422
6	42357400101	PLATE	1		T=1		
7	90302040801	WASHER,SPRING	1		8		
8	90180208014	BOLT,BUTTON	1		M8X14		
9	42355790300	SUPPORT	1				
10	82100002002	CLAMP	1		WR6		
11	91810130240	FASTENER	10				
12	90280200800	NUT,FLANGE	1		M8		
13	90750005081	SCREW,SET	1		M5X8		

AT-121-3 43007343453 UPPER,LOWER,ISUZU 2RG-NKR88N-EJ5AHY-D

Pos No.	Parts No	Parts Name	Qty	Unit	Technical Data	Serial No (Start)	Serial No (End)	Remarks
1	42510220010	FLOAT	4					
2	42510220020	PLATE	4					
3	42510220030	SUPPORT	4					
4	90172108045	BOLT,HEXAGON SOCKET	16		M8X45			
5	90303070801	WASHER,PLAIN	16		8			
6	90201200800	NUT	32		M8			

AT-121-3 43007343453 UPPER,LOWER,ISUZU 2RG-NKR88N-EJ5AHY-D

Pos No.	Parts No	Parts Name	Qty	Unit	Technical Data	Serial No (Start)	Serial No (End)	Remark
1	(*****)	BOOM ASSY	1					
2	(*****)	CYLINDER,TELESCOPING	1					
3	(*****)	PIPING ASSY,BOOM	1					
4	(*****)	ELEC.ASSY,BOOM	1					
5	(*****)	DETECTOR,BOOM LENGTH	1					
6	(*****)	MOUNT ASSY,COVER (BOOM)	1					
7	(*****)	CYLINDER,LEVELING (UPPER)	1					

AT-121-3 43007343453 UPPER,LOWER,ISUZU 2RG-NKR88N-EJ5AHY-D

Pos No.	Parts No	Parts Name	Qty	Unit	Technical Data	Serial No (Start)	Serial No (End)	Remarks	Pages
1	44350240100	SWITCH ASSY	1						000138
2	90101206016	BOLT	5		M6X16				
3	90302040601	WASHER,SPRING	5		6				
4	90201200600	NUT	5		M6				
5	82100002006	CLAMP	2		WR10				
6	82400000200	GROMMET	1		KG-012,L=250				

AT-121-3 43007343453 UPPER,LOWER,ISUZU 2RG-NKR88N-EJ5AHY-D

Pos No.	Parts No	Parts Name	Qty	Unit	Technical Data	Serial No (Start)	Serial No (End)	Remarks	Pages
100	42356790200	HARNESS	1						

AT-121-3 43007343453 UPPER,LOWER,ISUZU 2RG-NKR88N-EJ5AHY-D

Pos No.	Parts No	Parts Name	Qty	Unit	Technical Data	Serial No (Start)	Serial No (End)	Remarks	Pages
1	42355900200	HARNESS	1						

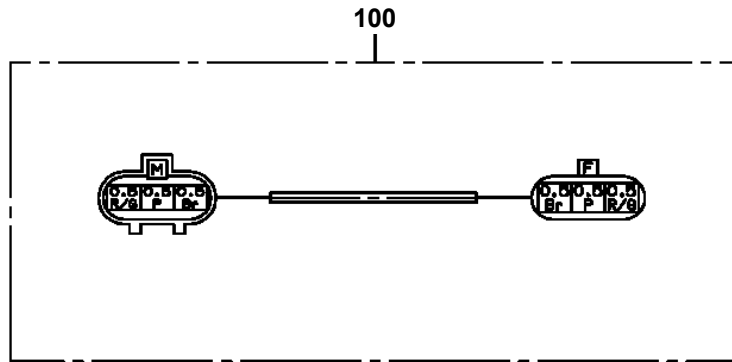
AT-121-3 43007343453 UPPER,LOWER,ISUZU 2RG-NKR88N-EJ5AHY-D

Pos No.	Parts No	Parts Name	Qty	Unit	Technical Data	Serial No (Start)	Serial No (End)	Remarks	Pages
100	42510370600	HARNESS	1						

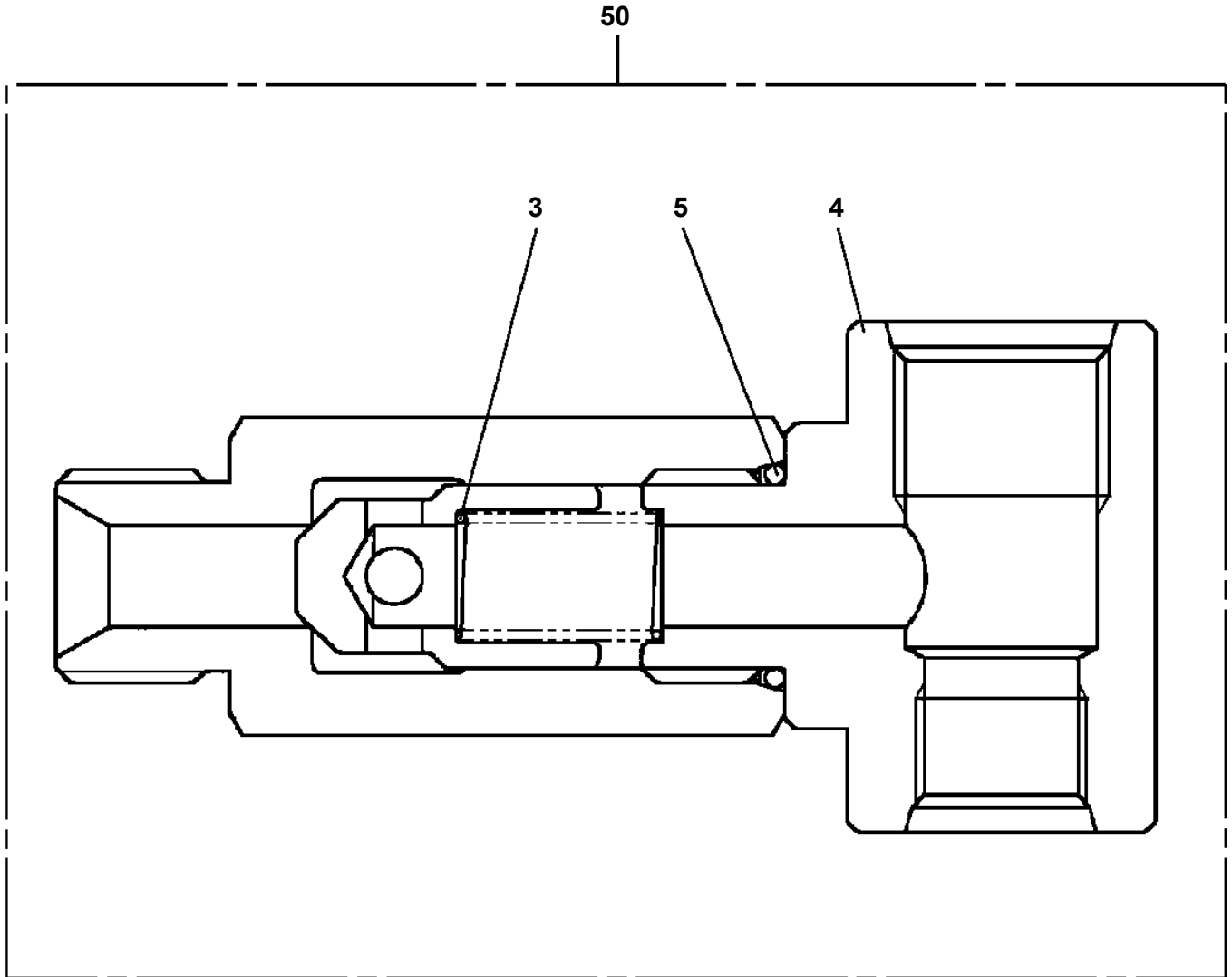
AT-121-3 43007343453 UPPER,LOWER,ISUZU 2RG-NKR88N-EJ5AHY-D

Pos No.	Parts No	Parts Name	Qty	Unit	Technical Data	Serial No (Start)	Serial No (End)	Remarks	Pages
100	42937420100	HARNESS	1						

AT-121-3 43007343453 UPPER,LOWER,ISUZU 2RG-NKR88N-EJ5AHY-D
PH5034174-00 HARNESS



AT-121-3 43007343453 UPPER,LOWER,ISUZU 2RG-NKR88N-EJ5AHY-D
PI1140165-00 VALVE,CHECK (MORIKAWA GAUGE)



CLICK HERE TO **DOWNLOAD** THE COMPLETE MANUAL

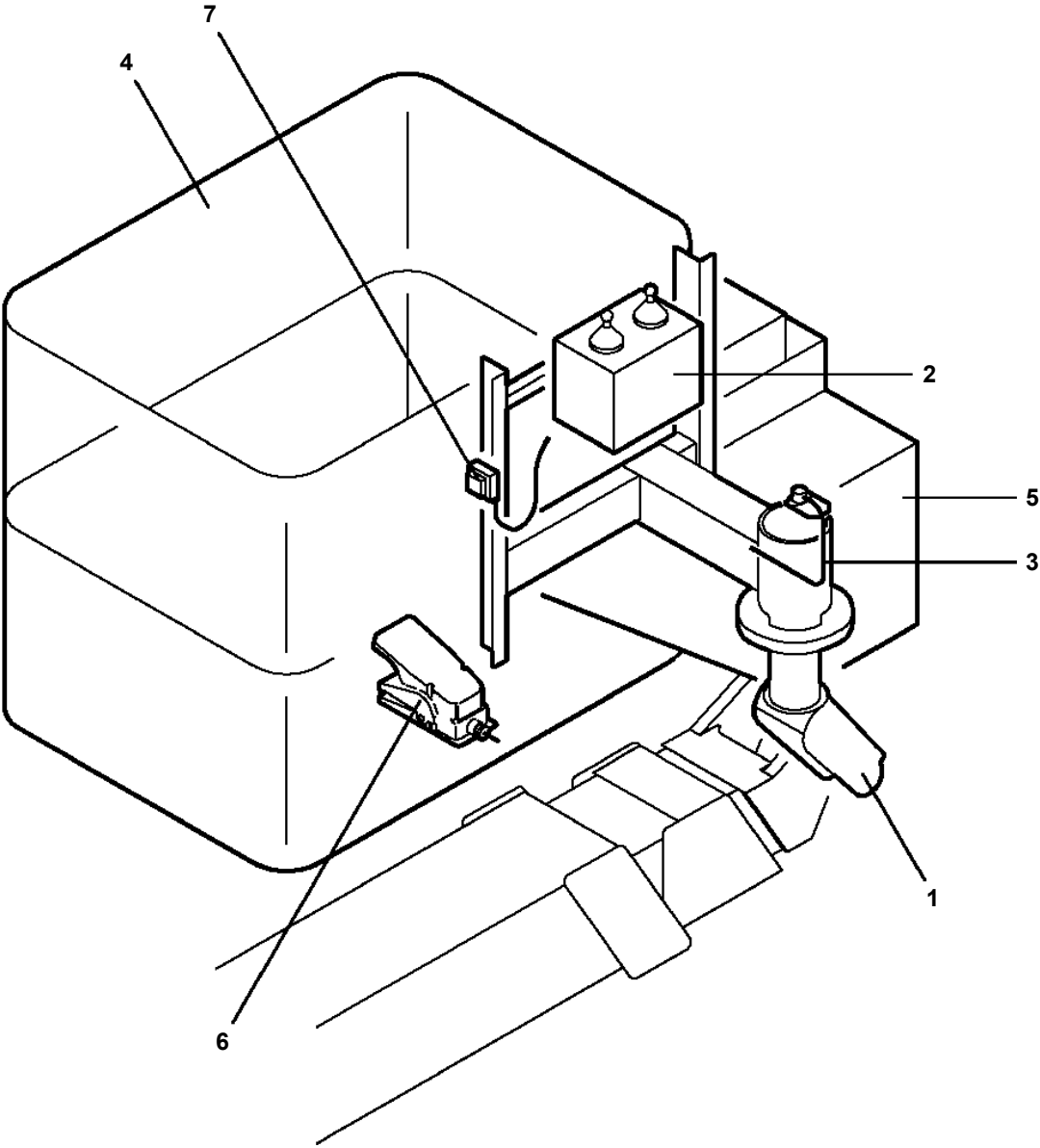
- Thank you very much for reading the preview of the manual.
- You can download the complete manual from: www.heydownloads.com by clicking the link below



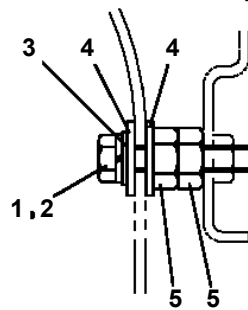
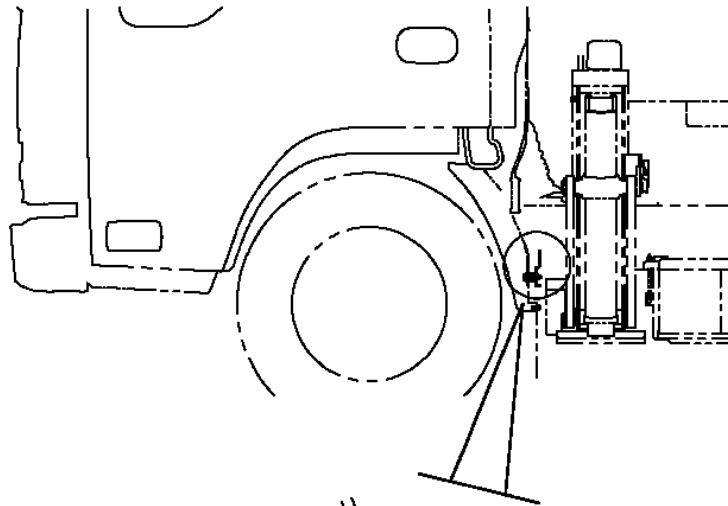
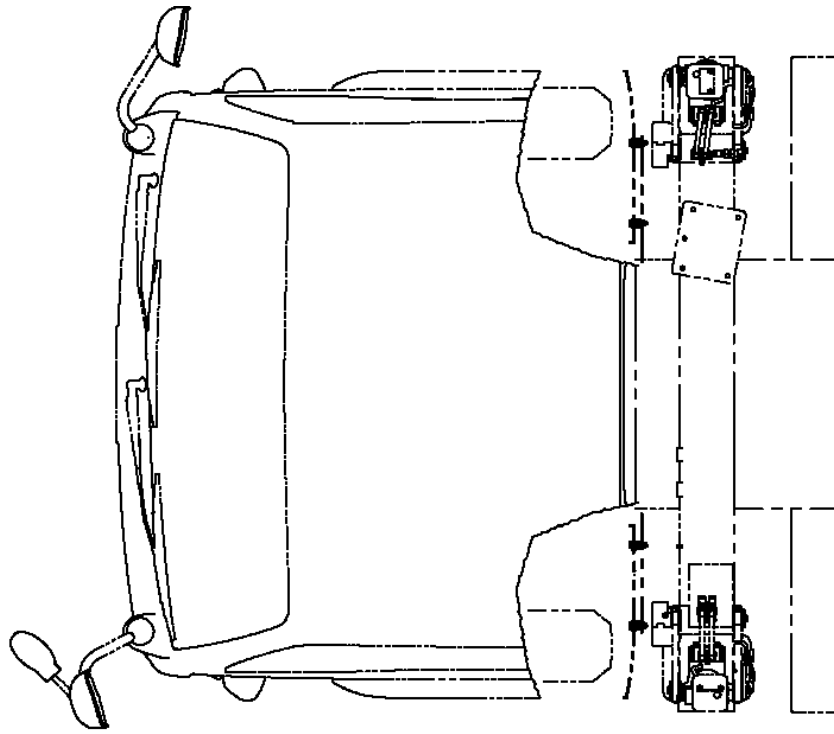
- Please note: If there is no response to CLICKING the link, please download this PDF first and then click on it.

CLICK HERE TO **DOWNLOAD** THE COMPLETE MANUAL

**AT-121-3 43007343453 UPPER,LOWER,ISUZU 2RG-NKR88N-EJ5AHY-D
PJ3000576-00 BASKET SYSTEM**

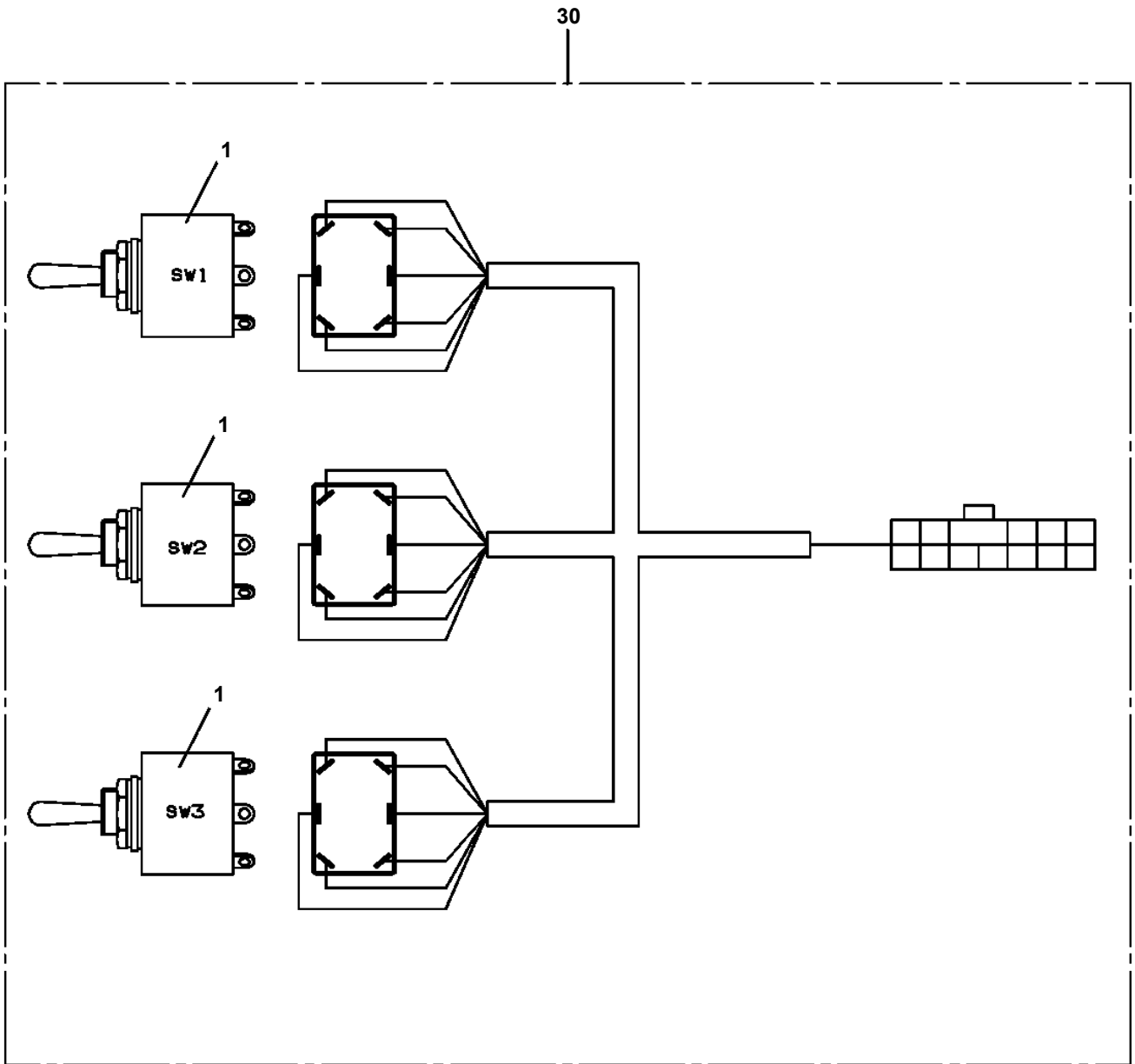


AT-121-3 43007343453 UPPER,LOWER,ISUZU 2RG-NKR88N-EJ5AHY-D
PM5150627-00 MODIFICATION ASSY

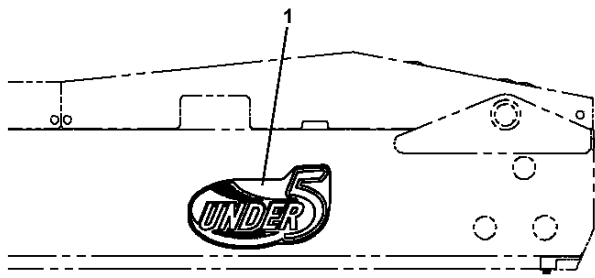


(4ヶ所)

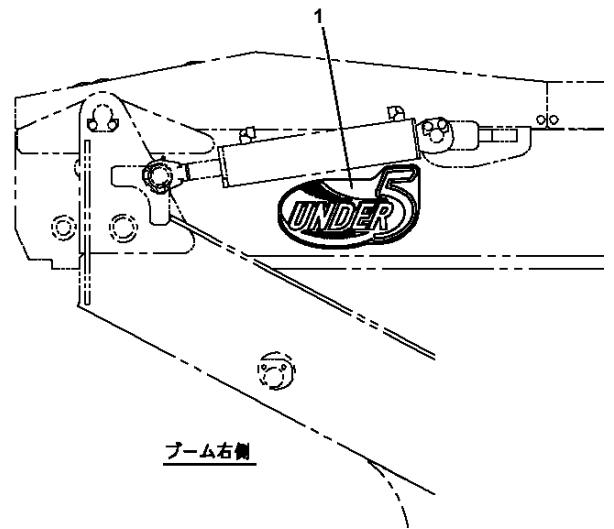
AT-121-3 43007343453 UPPER,LOWER,ISUZU 2RG-NKR88N-EJ5AHY-D
PN1140153-00 SWITCH ASSY (WITH HARNESS,3 SWITCH)



AT-121-3 43007343453 UPPER,LOWER,ISUZU 2RG-NKR88N-EJ5AHY-D
PN5010668-00 NAME PLATE ASSY (UNDER5)

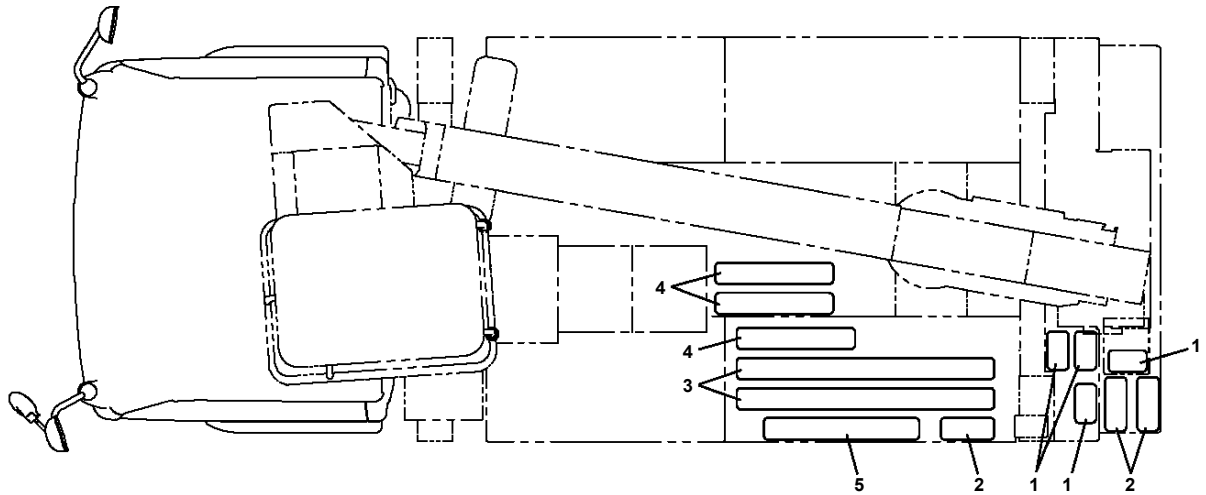


ブーム左側



ブーム右側

**AT-121-3 43007343453 UPPER,LOWER,ISUZU 2RG-NKR88N-EJ5AHY-D
PN5011505-00 NAME PLATE ASSY (NON-SLIP/YELLOW)**



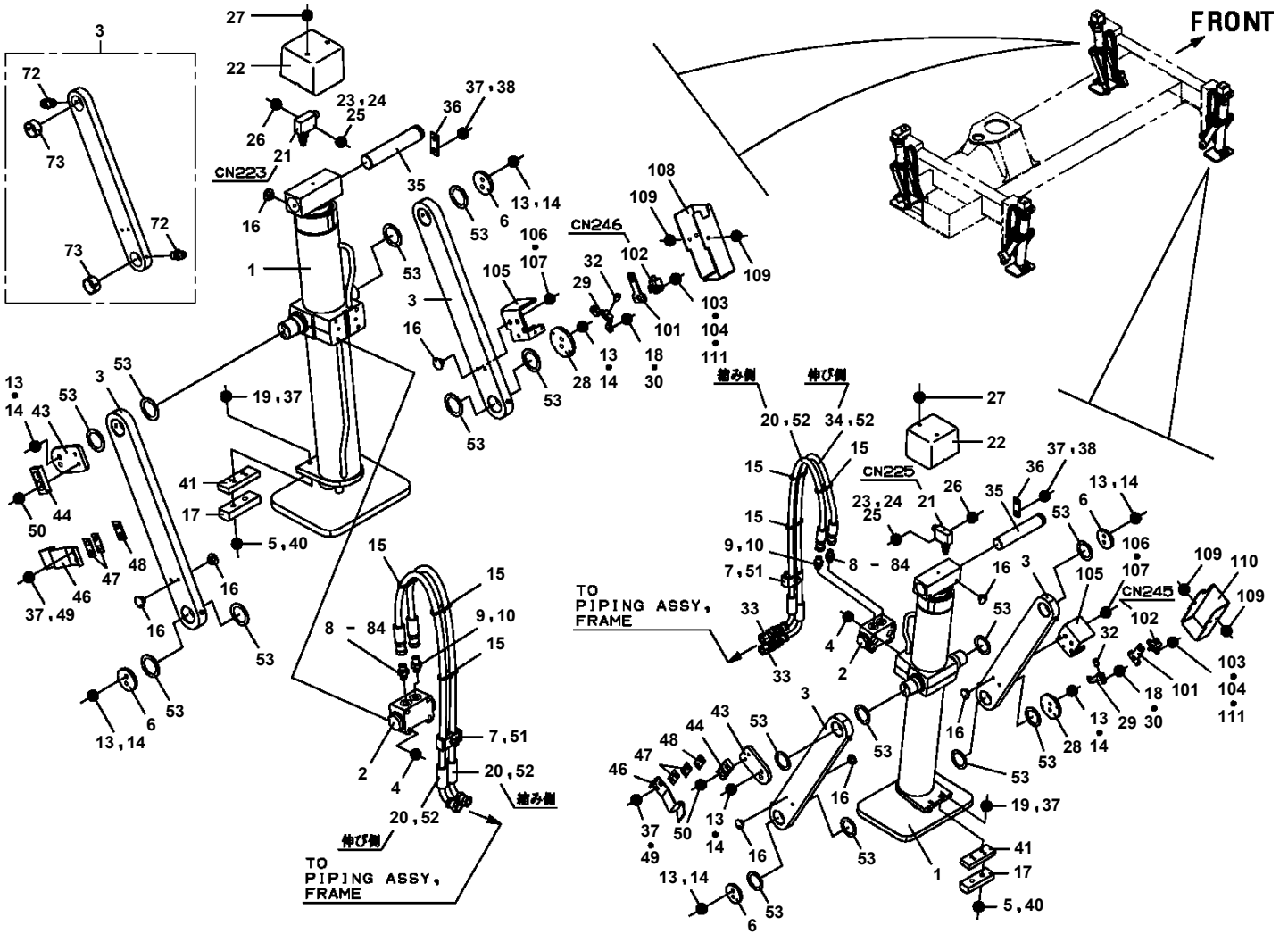
AT-121-3 43007343453 UPPER,LOWER,ISUZU 2RG-NKR88N-EJ5AHY-D

Pos No.	Parts No	Parts Name	Qty	Unit	Technical Data	Serial No (Start)	Serial N
1	(*****)	NAME PLATE ASSY (VEHICLE)	1				
2	(*****)	NAME PLATE ASSY (TADANO,NON-SLIP,FUSE)	1				
3	(*****)	NAME PLATE ASSY (SWING MARK)	1				
4	(*****)	NAME PLATE ASSY (BASKET)	1				
5	(*****)	NAME PLATE ASSY (OPERATION)	1				
11	(*****)	PLATE ASSY,NAME (OIL/COLD DISTRICT)	1				
	(*****)	PLATE ASSY,NAME (HYDRAULIC OIL)	1				

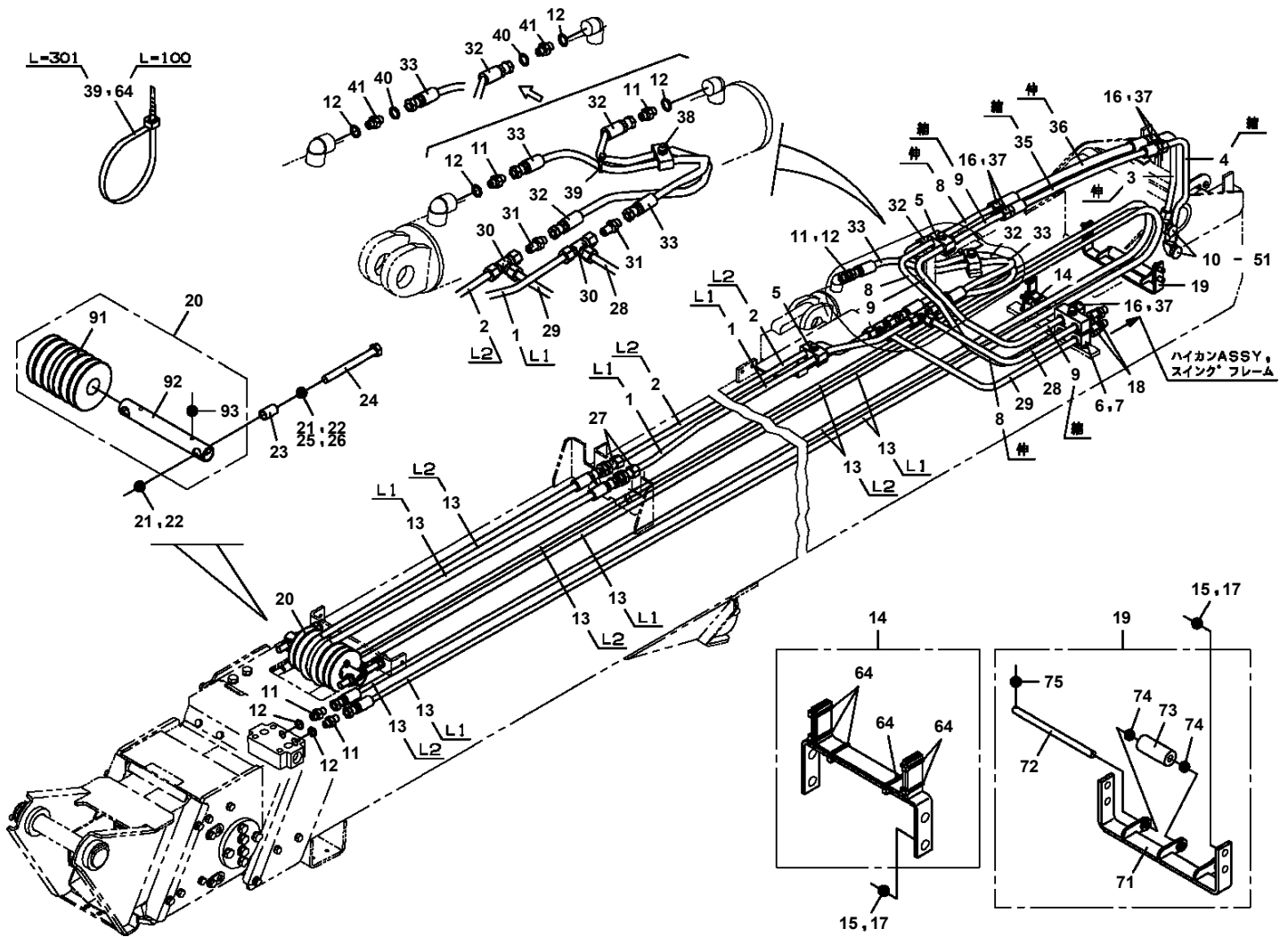
AT-121-3 43007343453 UPPER,LOWER,ISUZU 2RG-NKR88N-EJ5AHY-D

Pos No.	Parts No	Parts Name	Qty	Unit	Technical Data	Serial No (Start)	Serial No (End)	Re
11	42947410011	PLATE,NAME (PTO OPERATION)	1					

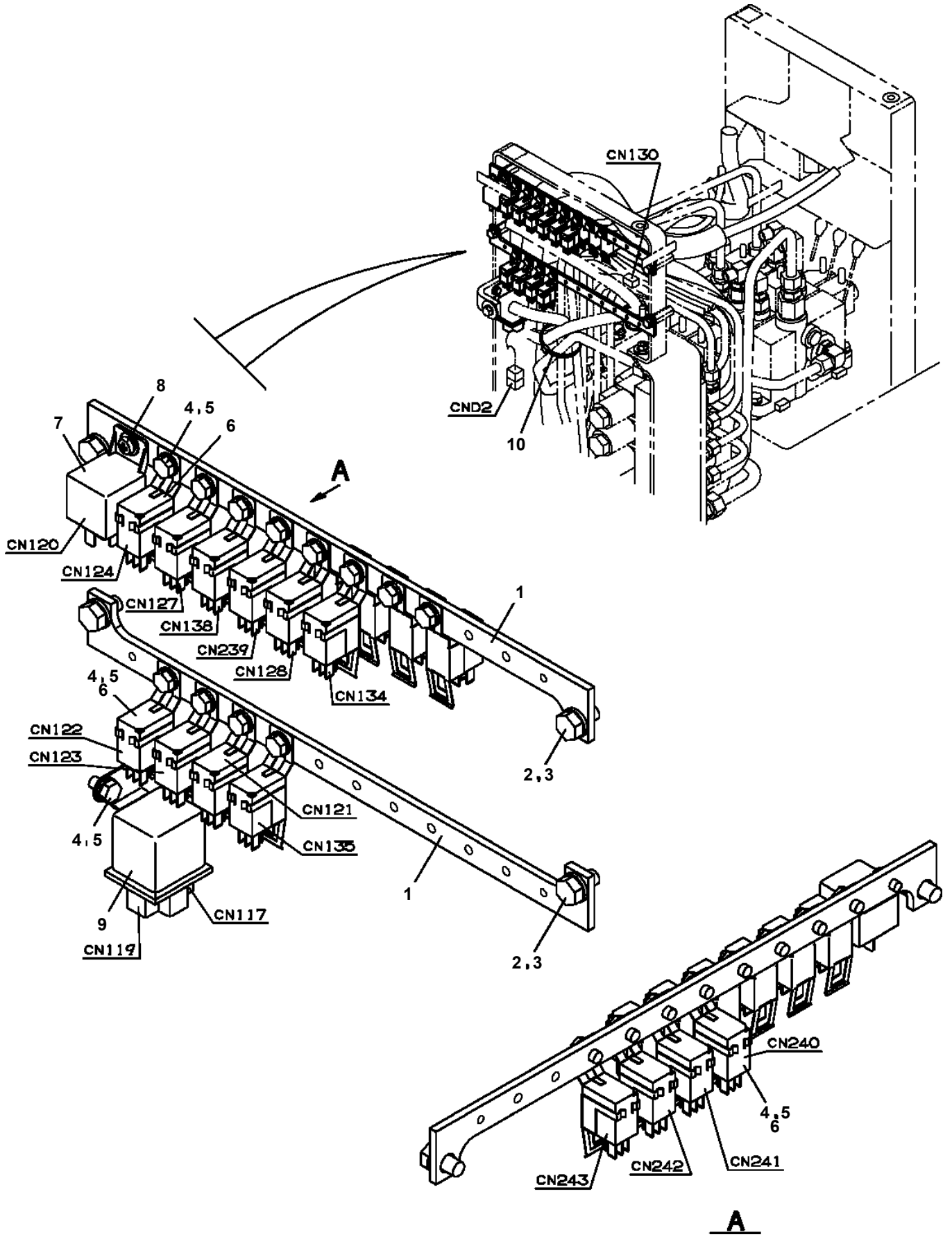
**AT-121-3 43007343453 UPPER,LOWER,ISUZU 2RG-NKR88N-EJ5AHY-D
PO5270277-00 OUTRIGGER ASSY**



**AT-121-3 43007343453 UPPER,LOWER,ISUZU 2RG-NKR88N-EJ5AHY-D
PP6060005-02 PIPING ASSY,BOOM**

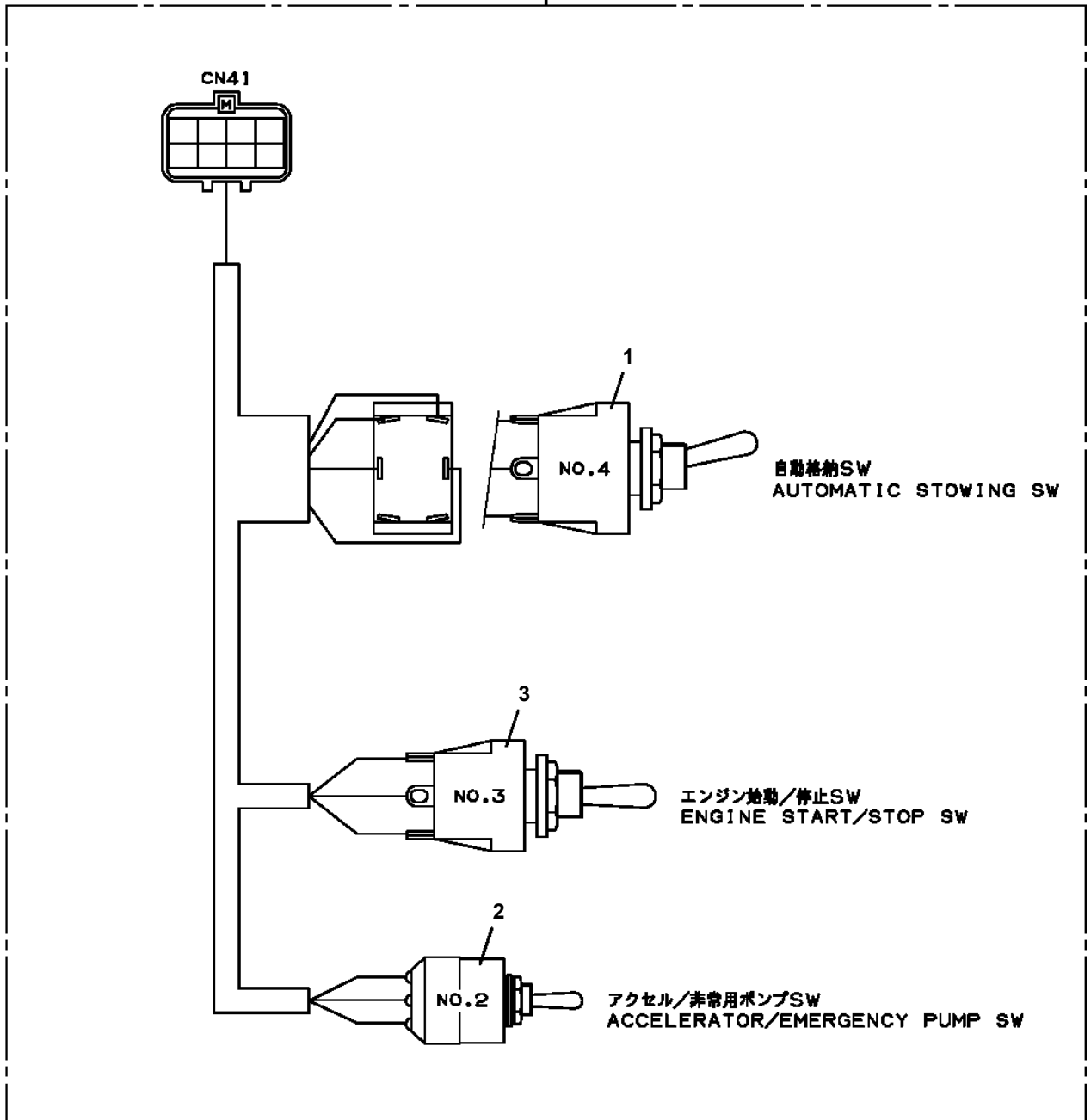


AT-121-3 43007343453 UPPER,LOWER,ISUZU 2RG-NKR88N-EJ5AHY-D
PR5090237-00 RELAY ASSY

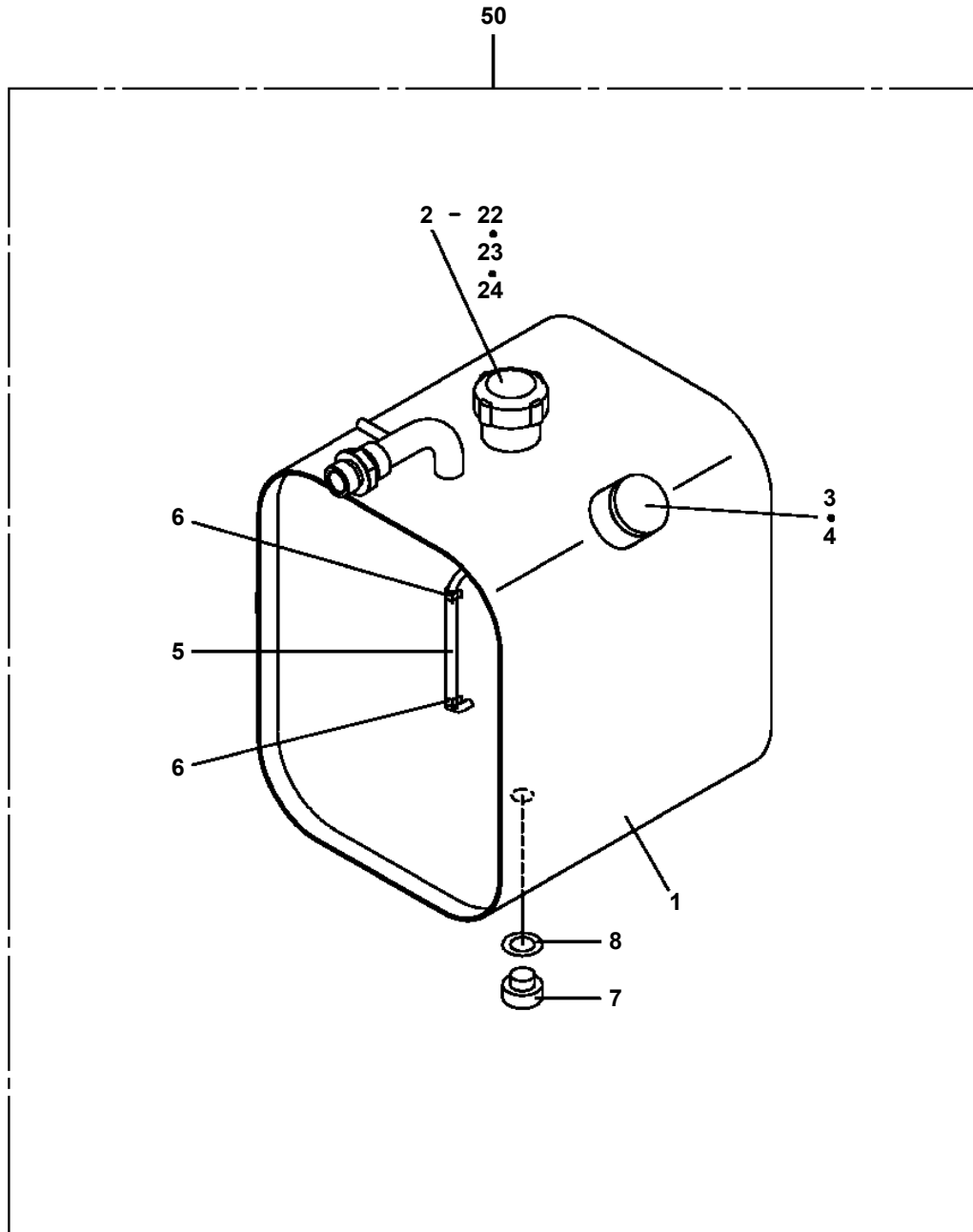


AT-121-3 43007343453 UPPER,LOWER,ISUZU 2RG-NKR88N-EJ5AHY-D
PS5530189-01 SWITCH ASSY (WITH HARNESS,3 SW)

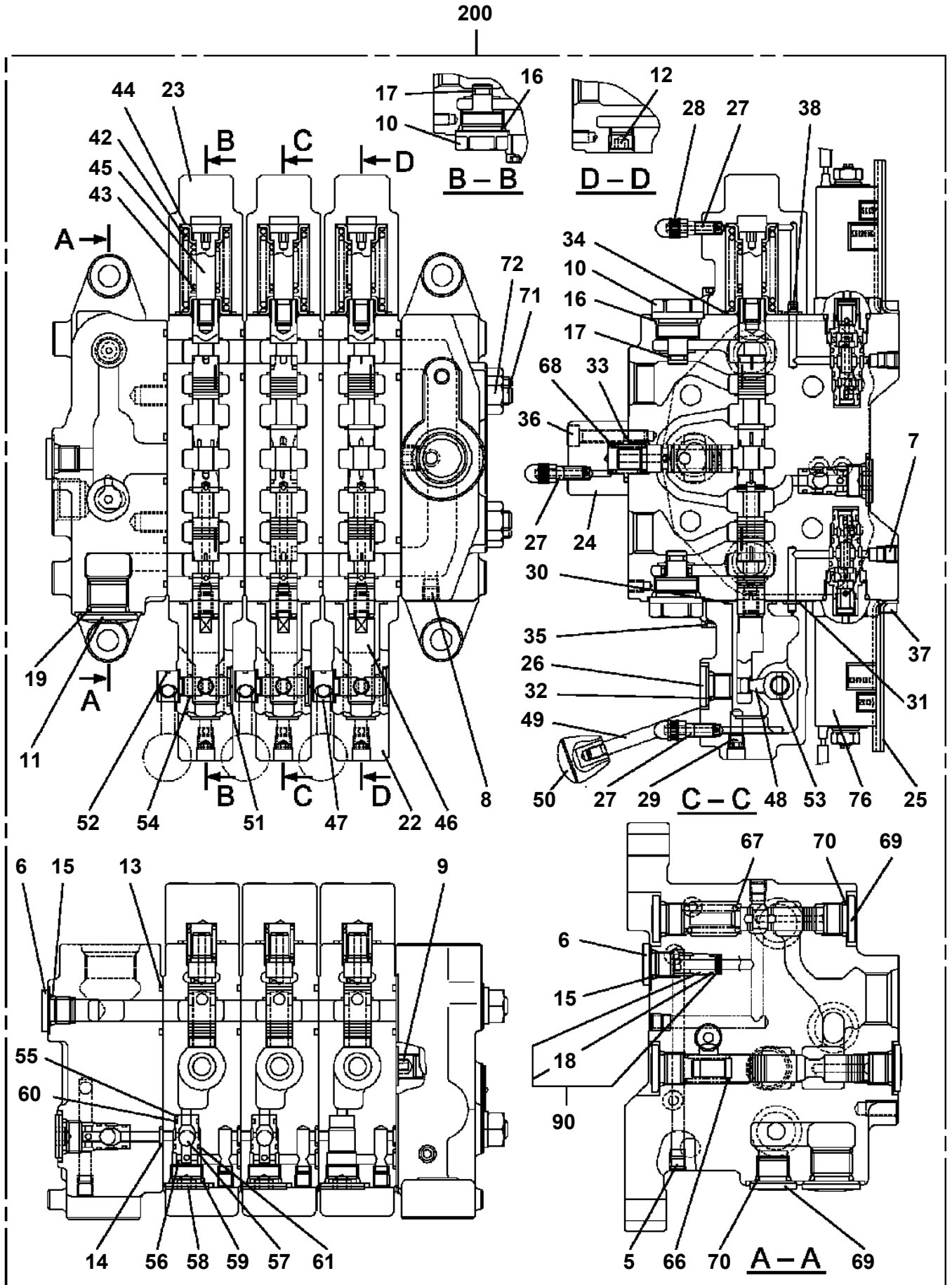
50



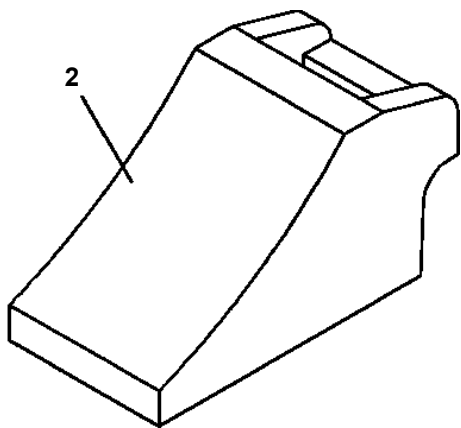
AT-121-3 43007343453 UPPER,LOWER,ISUZU 2RG-NKR88N-EJ5AHY-D
PT5090008-00 TANK ASSY,OIL



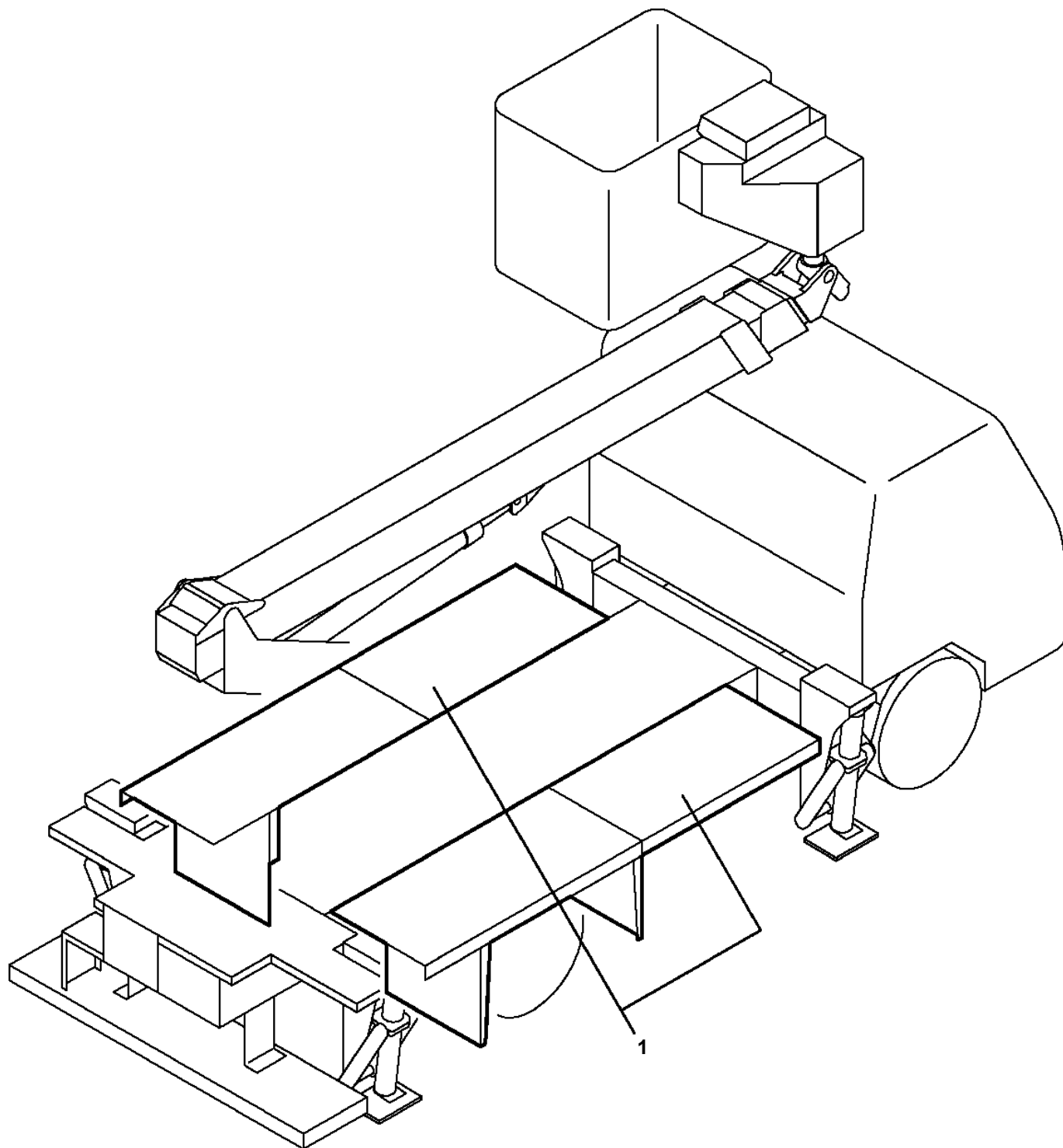
**AT-121-3 43007343453 UPPER,LOWER,ISUZU 2RG-NKR88N-EJ5AHY-D
PV5150017-00 VALVE ASSY,REMOTE CONTROL**



AT-121-3 43007343453 UPPER,LOWER,ISUZU 2RG-NKR88N-EJ5AHY-D
PW1050011-00 STOPPER,TIRE



**AT-121-3 43007343453 UPPER,LOWER,ISUZU 2RG-NKR88N-EJ5AHY-D
PX3000780-00 MOUNTING UNIT**



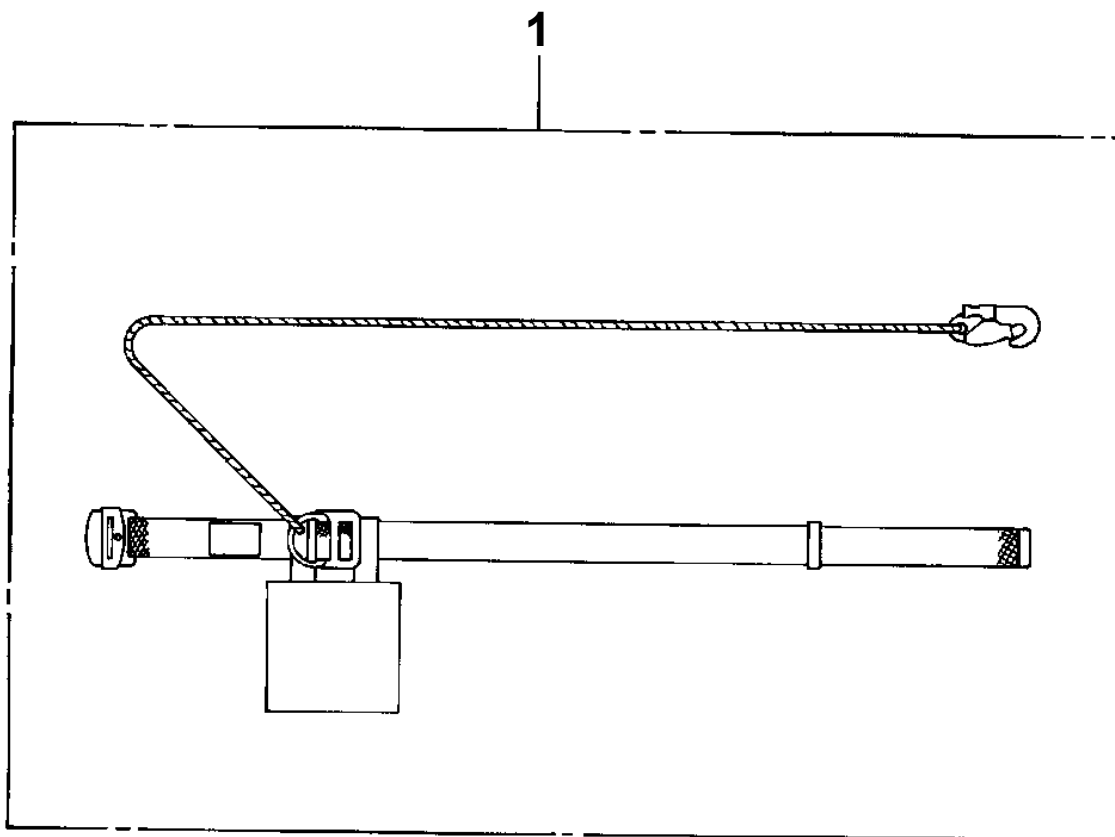
AT-121-3 43007343453 UPPER,LOWER,ISUZU 2RG-NKR88N-EJ5AHY-D

Pos No.	Parts No	Parts Name	Qty	Unit	Technical Data	Serial No (Start)	Serial No (End)	Remarks	Pages
1	42699970100	FENDER	1						
2	42699970200	FENDER	1						
3	42699970300	FENDER	1						
4	42699970400	FENDER	1						
5	42699970500	SUPPORT	1						
6	42699970600	SUPPORT	1						
7	42699970700	SUPPORT	1						
8	42699970800	SUPPORT	1						
9	42699971000	SUPPORT	4						
10	90303071001	WASHER,PLAIN	18		10				
11	90101210025	BOLT	38		M10X25				
12	37000549940	PLATE	24		T=3.2				
13	90302041001	WASHER,SPRING	46		10				
14	90201201000	NUT	34		M10				
15	90302040801	WASHER,SPRING	4		8				
17	90101208020	BOLT	4		M8X20				
18	42696871800	SUPPORT	1						
19	42699970900	STEP	1						
21	82467300107	PLUG	8						
22	90101210020	BOLT	8		M10X20				

AT-121-3 43007343453 UPPER,LOWER,ISUZU 2RG-NKR88N-EJ5AHY-D

Pos No.	Parts No	Parts Name	Qty	Unit	Technical Data	Serial No (Start)	Serial No (End)	Remarks	Pages
1	42882541000	SUPPORT	1						
2	36103060000	TANK ASSY,OIL	1						000139
3	90302041201	WASHER,SPRING	6		12				
4	90101212022	BOLT	6		M12X22				
7	42874730100	BAND	2						
8	90201201000	NUT	4		M10				

AT-121-3 43007343453 UPPER,LOWER,ISUZU 2RG-NKR88N-EJ5AHY-D
PY1090001-00 BELT,SAFETY



CLICK HERE TO **DOWNLOAD** THE COMPLETE MANUAL

- Thank you very much for reading the preview of the manual.
- You can download the complete manual from: www.heydownloads.com by clicking the link below



- Please note: If there is no response to CLICKING the link, please download this PDF first and then click on it.

CLICK HERE TO **DOWNLOAD** THE COMPLETE MANUAL