

AT-121-3 43007341221 UPPER,LOWER,ISUZU TPG-NKR85YN-EE5AHY-JM

PB0000276-02 UPPER STRUCTURE SYSTEM

PB0000500-02 LOWER STRUCTURE SYSTEM

ASSEMBLY

CLICK HERE TO **DOWNLOAD** THE COMPLETE MANUAL

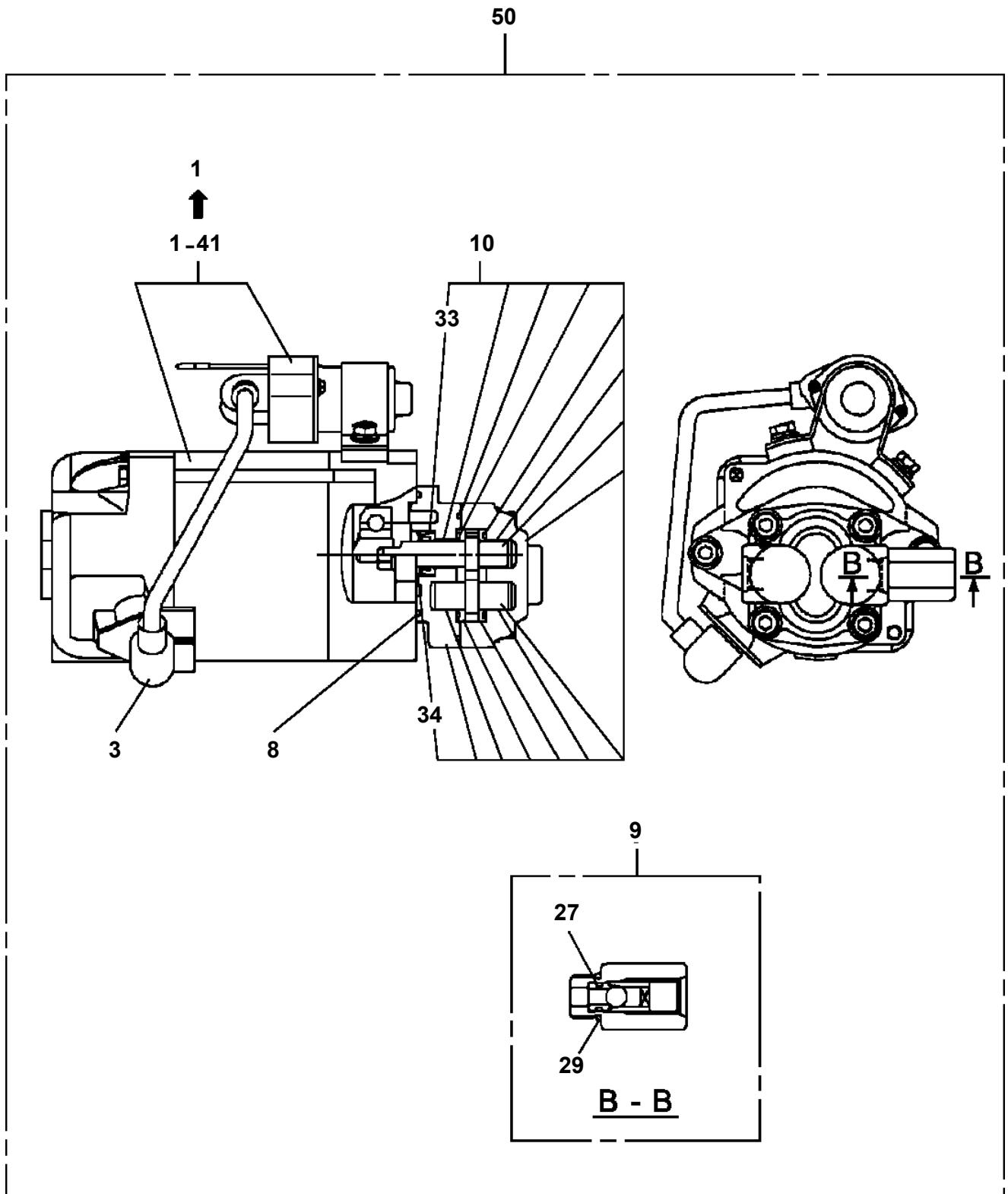
- Thank you very much for reading the preview of the manual.
- You can download the complete manual from: www.heydownloads.com by clicking the link below



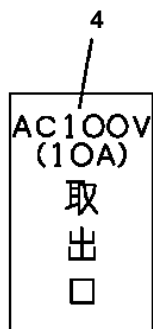
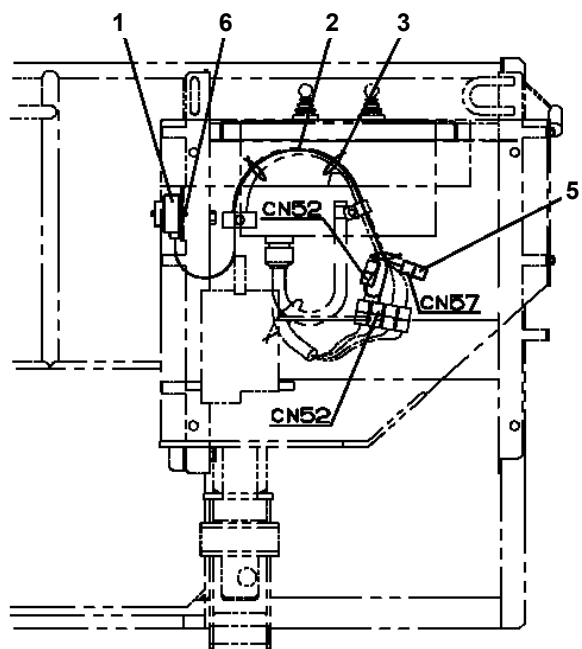
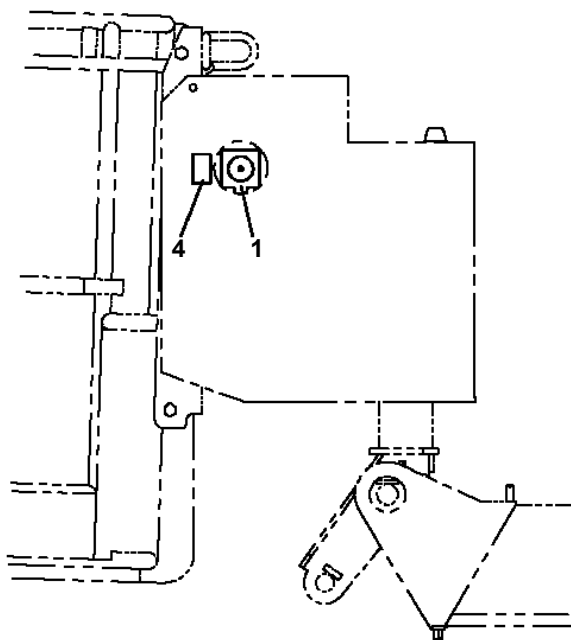
- Please note: If there is no response to CLICKING the link, please download this PDF first and then click on it.

CLICK HERE TO **DOWNLOAD** THE COMPLETE MANUAL

AT-121-3 43007341221 UPPER,LOWER,ISUZU TPG-NKR85YN-EE5AHY-JM
PB1100101-02 PUMP,HYDRAULIC (EMERGENCY)



AT-121-3 43007341221 UPPER,LOWER,ISUZU TPG-NKR85YN-EE5AHY-JM
PB1380283-01 POWER SUPPLY (BUCKET)



AT-121-3 43007341221 UPPER,LOWER,ISUZU TPG-NKR85YN-EE5AHY-JM

Pos No.	Parts No	Parts Name	Qty	Unit	Technical Data	Serial No (Start)	Serial No (End)	Remarks
66	90172106016	BOLT,HEXAGON SOCKET	4		M6X16	HJ5254		
67	90302040601	WASHER,SPRING	4		6			
68	82401800080	PLUG (FOR M8)	2					
69	42203040010	PLATE	N			HJ4015		
70	42203040020	PLATE	N			HJ4015		
89	82455106000	NIPPLE,GREASE	1		A-M6F FE			
121	42202414100	COVER	1					
122	42202414200	COVER	1					
123	42202664100	COVER	2					
124	90101208020	BOLT	18		M8X20			
125	42203054100	COVER	1					
126	42202414800	SUPPORT	1					
127	42202414850	SUPPORT	1					
128	42340233030	COVER	1					
129	42202414500	COVER ASSY	1					
130	42202664300	COVER	2					
131	80192486010	SCREW,MACHINE	8		M6X10			
132	90302040801	WASHER,SPRING	21		8			
133	90303070801	WASHER,PLAIN	18		8			
151	37001004450	SHEAVE ASSY	2					
152	42202670210	PIN	2					
153	42200383620	PLATE	2					
154	90171110022	BOLT	8		M10X22			
155	90302041001	WASHER,SPRING	12		10			
156	90171110050	BOLT	4		M10X50			
157	90303071001	WASHER,PLAIN	4		10			
172	80513006206	BEARING,BALL	2					
190	37002000290	PLATE,SLIDE	2		100X30			
211	42202414550	COVER	1					
212	90101208016	BOLT	3		M8X16			
213	90201200800	NUT	3		M8			
215	42202414510	BLADE	1					
216	42202414520	PLATE	1					
232	80516006010	BEARING,BALL	2					

AT-121-3 43007341221 UPPER,LOWER,ISUZU TPG-NKR85YN-EE5AHY-JM

Pos No.	Parts No	Parts Name	Qty	Unit	Technical Data	Serial No (Start)	Serial No (End)	Remarks	Pages
1	42443711001	COVER ASSY	1						
2	42443710010	SUPPORT	1						
3	90303070801	WASHER,PLAIN	9		8				
4	37000506550	PLATE	2		T=1.6				
5	90302040801	WASHER,SPRING	13		8				
6	90101208016	BOLT	13		M8X16				
7	82401800080	PLUG (FOR M8)	14						
21	42443711100	COVER	1						
22	42443711201	COVER	1						
23	82464107813	HINGE	2						
24	82400000393	INSULATOR	1						
25	80172804016	SCREW,MACHINE	1		M4X16				
28	80172804010	SCREW,MACHINE	12		M4X10				
29	90302510401	WASHER,SPRING	13		4				
30	90201500400	NUT	13		M4				
36	42268773010	PLATE	4						

AT-121-3 43007341221 UPPER,LOWER,ISUZU TPG-NKR85YN-EE5AHY-JM

Pos No.	Parts No	Parts Name	Qty	Unit	Technical Data	Serial No (Start)	Serial No (End)	Remarks	Pages
1	42507990101	COVER	1						
2	42507990021	SUPPORT	2						
3	90201200800	NUT	9		M8				
4	90302040801	WASHER,SPRING	15		8				
5	37000553000	PLATE	15						
6	37000517380	PLATE	4		T=2.3 TO 3.2				
7	42509380010	SUPPORT	2						
8	90101208016	BOLT	6		M8X16				
10	42509380101	COVER	1						

AT-121-3 43007341221 UPPER,LOWER,ISUZU TPG-NKR85YN-EE5AHY-JM

Pos No.	Parts No	Parts Name	Qty	Unit	Technical Data	Serial No (Start)	Serial No (End)
1	36028371000	CYLINDER	1				
2	36026159530	COVER,ROD	1				
3	80612110400	RING,RITAINING	1		AR40		
4	91002907000	O-RING	1		1B G70		
5	80801003525	BEARING,PLAIN	1				
6	91694003500	PACKING	1				
7	91410203501	RING,BACKUP	1				
8	91660003501	SEAL,DUST	1				
9	91002907500	O-RING	1		1B G75		
10	90302042401	WASHER,SPRING	1		24		
11	90209402400	NUT	1		M24		
12	36028370010	PISTON	1				
13	91002802000	O-RING	1		1B P20		
14	36028379510	ROD ASSY	1				
15	90303072401	WASHER,PLAIN	1		24		
16	82455106000	NIPPLE,GREASE	1		A-M6F FE		
17	91350207500	BEARING,PLAIN (WITH PACKINGX2)	1				
18	80541700030	BEARING,SPHERICAL (NTN)	1		SA4-30B		
50	36026489900	PACKING SET	1		35X75		
100	36028370000	CYLINDER ASSY,LEVELING (LOWER)	1				

AT-121-3 43007341221 UPPER,LOWER,ISUZU TPG-NKR85YN-EE5AHY-JM

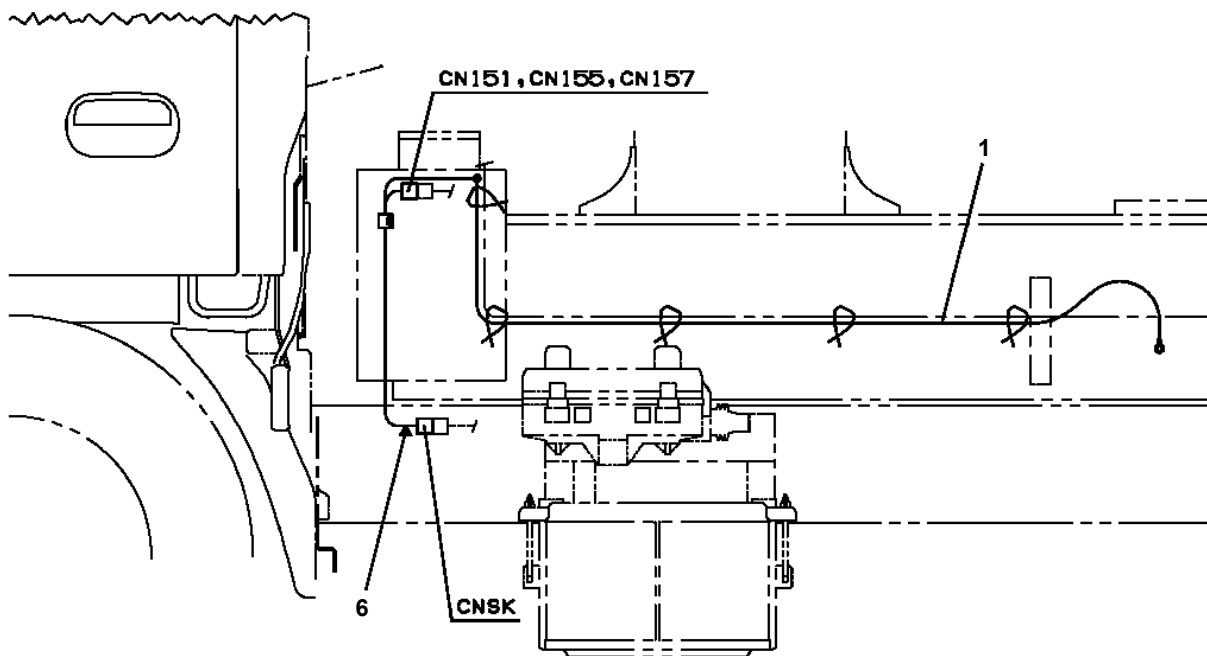
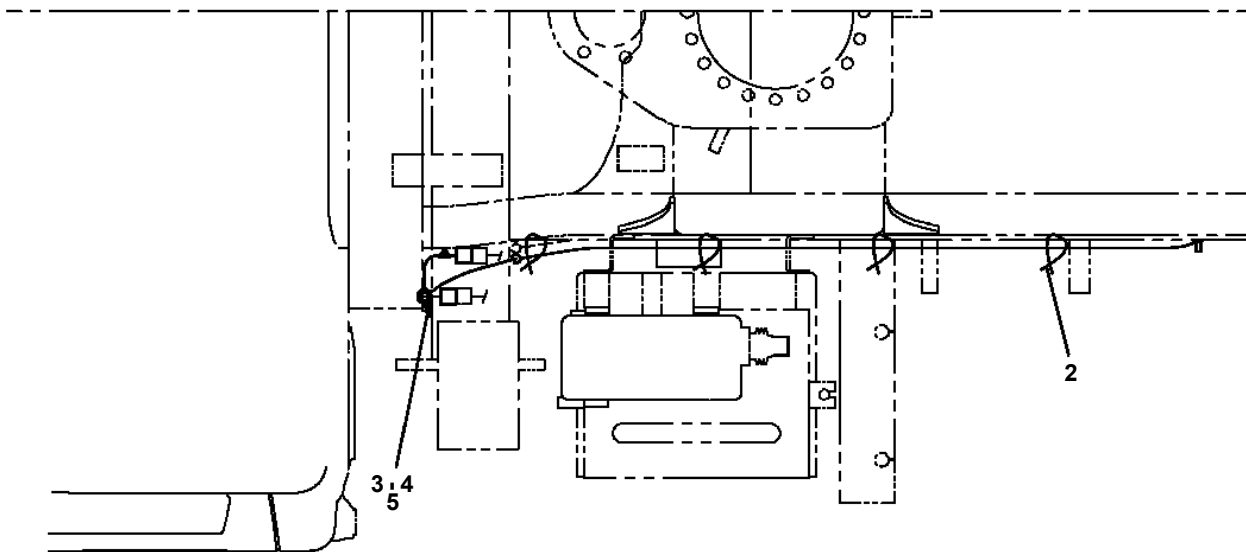
Pos No.	Parts No	Parts Name	Qty	Unit	Technical Data	Serial No (Start)	Serial No (End)
1	(*****)	SWING FRAME ASSY	1				
2	(*****)	REDUCER,SWING SPEED (MOUNT)	1				
3	(*****)	DERRICK ASSY	1				
4	(*****)	PIPING ASSY,SWING FRAME	1				
5	(*****)	ELEC.ASSY,SWING FRAME	1				
6	(*****)	MOUNT ASSY,SWIVEL JOINT	1				
7	36028370000	CYLINDER ASSY,LEVELING (LOWER)	1				

AT-121-3 43007341221 UPPER,LOWER,ISUZU TPG-NKR85YN-EE5AHY-JM

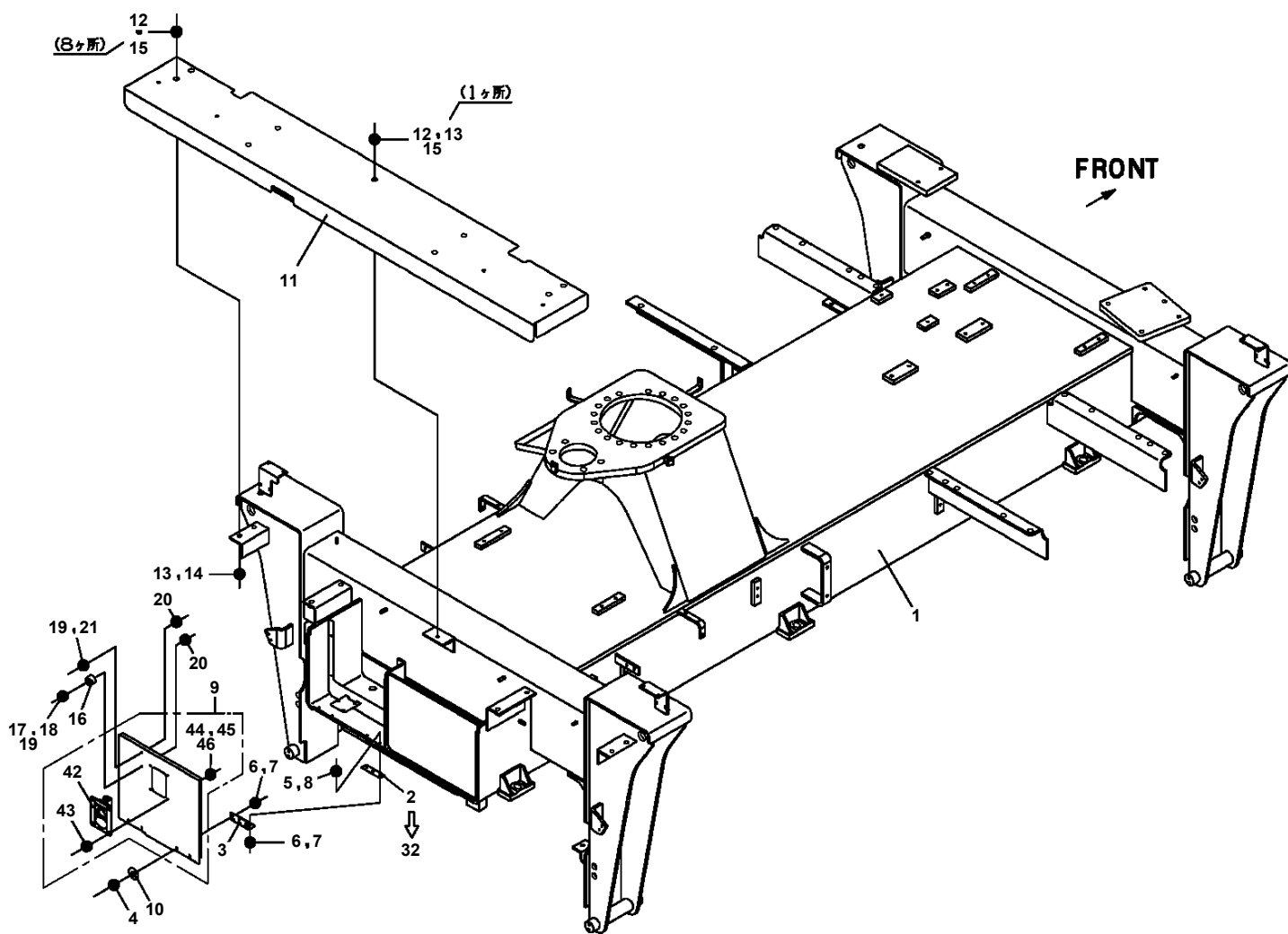
Pos No.	Parts No	Parts Name	Qty	Unit	Technical Data	Serial No (Start)	Serial No
1	42654640300	HARNESS (REAR JACK EXTEND/STOWING)	1				
2	91810132530	FASTENER	20				
3	37000505660	PLATE	2				
4	42508603100	COVER	2				
5	42508603200	SUPPORT	2				
6	82108501210	SWITCH	2				
7	82100002006	CLAMP	2		WR10		
8	90101208016	BOLT	4		M8X16		
9	90302040801	WASHER,SPRING	4		8		
10	90101206012	BOLT	6		M6X12		
11	90302040601	WASHER,SPRING	6		6		
12	90303070601	WASHER,PLAIN	4		6		

AT-121-3 43007341221 UPPER,LOWER,ISUZU TPG-NKR85YN-EE5AHY-JM
PE5070082-00 ELEC.ASSY,CARRIER

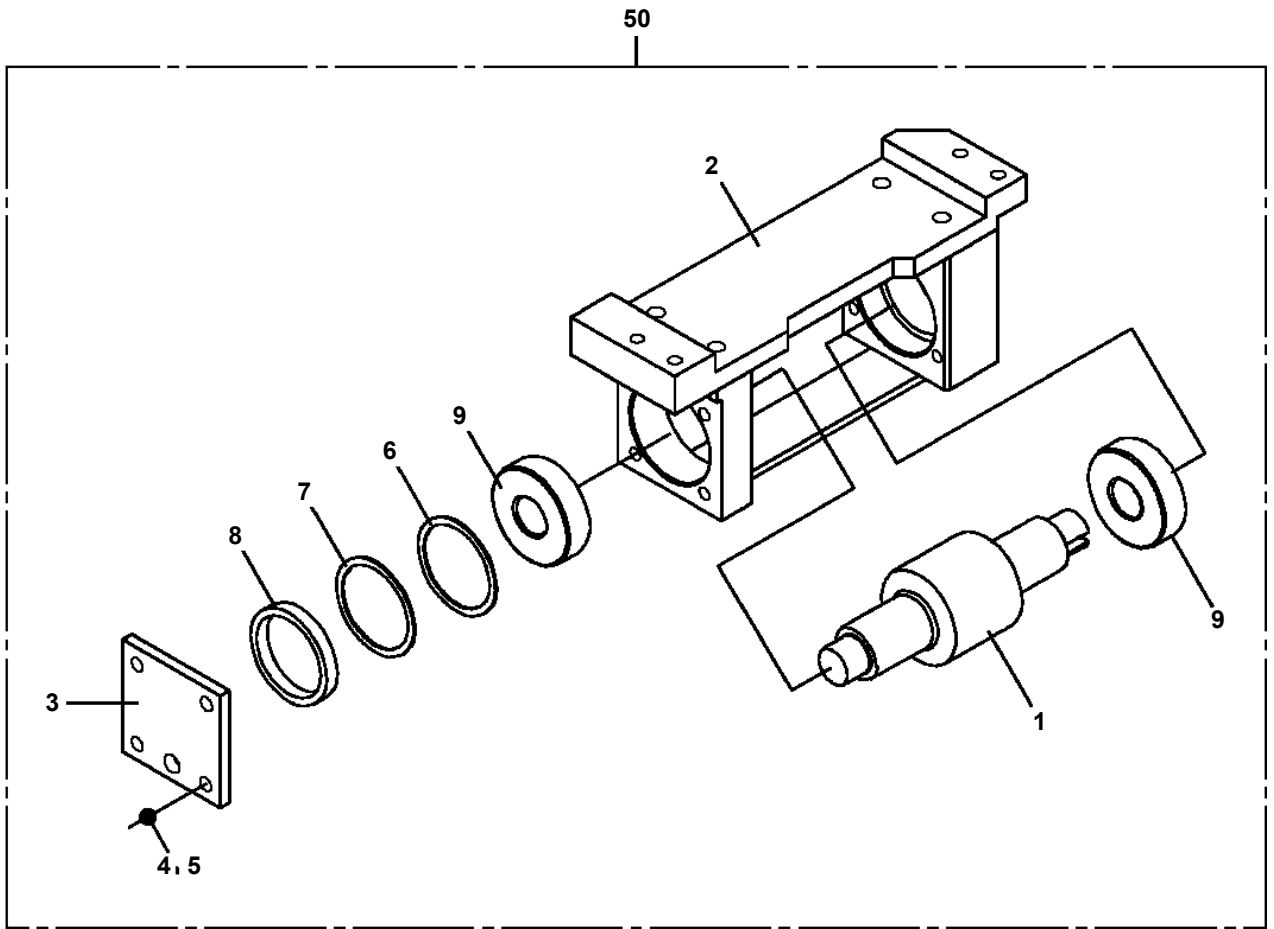
FRONT ←



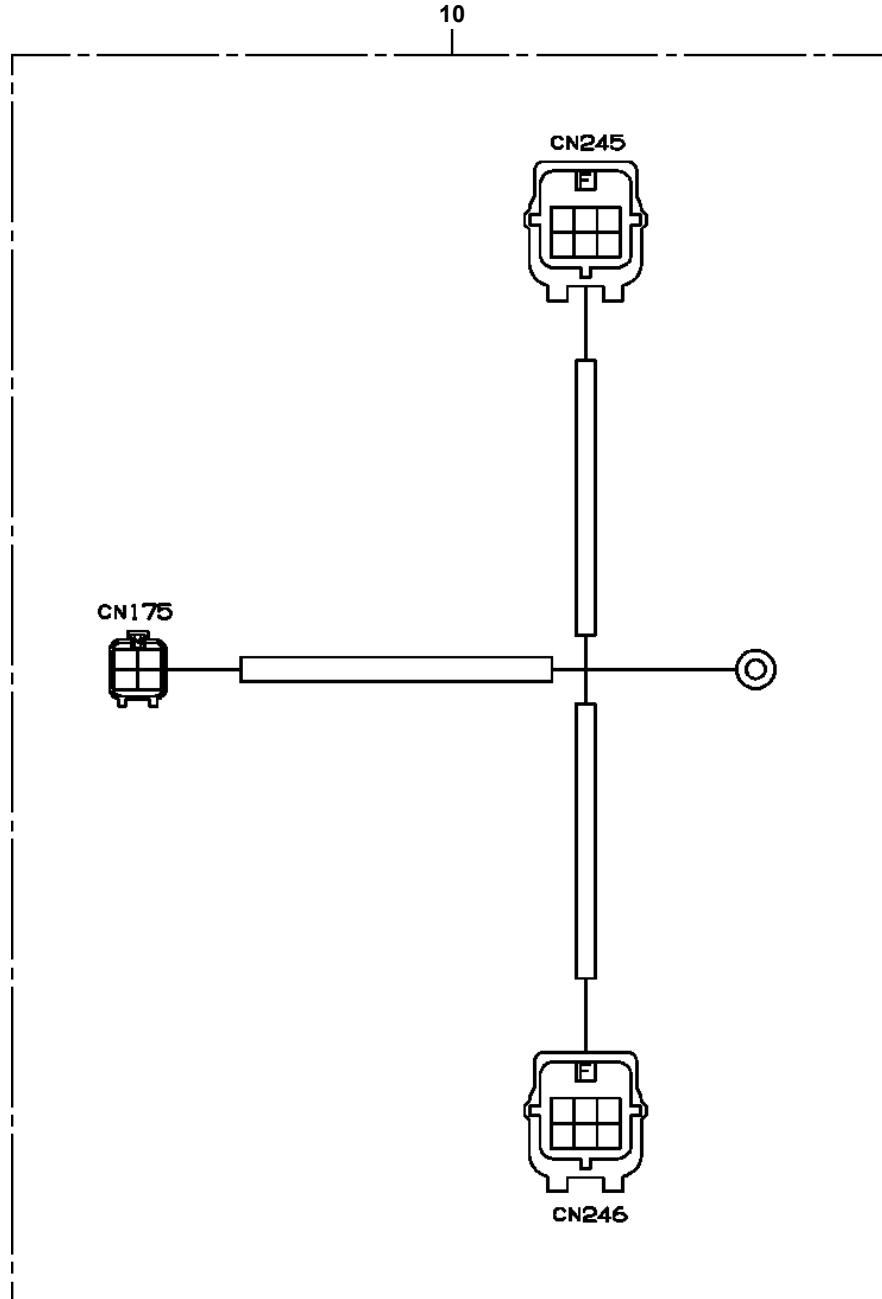
AT-121-3 43007341221 UPPER,LOWER,ISUZU TPG-NKR85YN-EE5AHY-JM
PF5100129-01 FRAME ASSY



AT-121-3 43007341221 UPPER,LOWER,ISUZU TPG-NKR85YN-EE5AHY-JM
PG5090004-01 GEAR ASSY

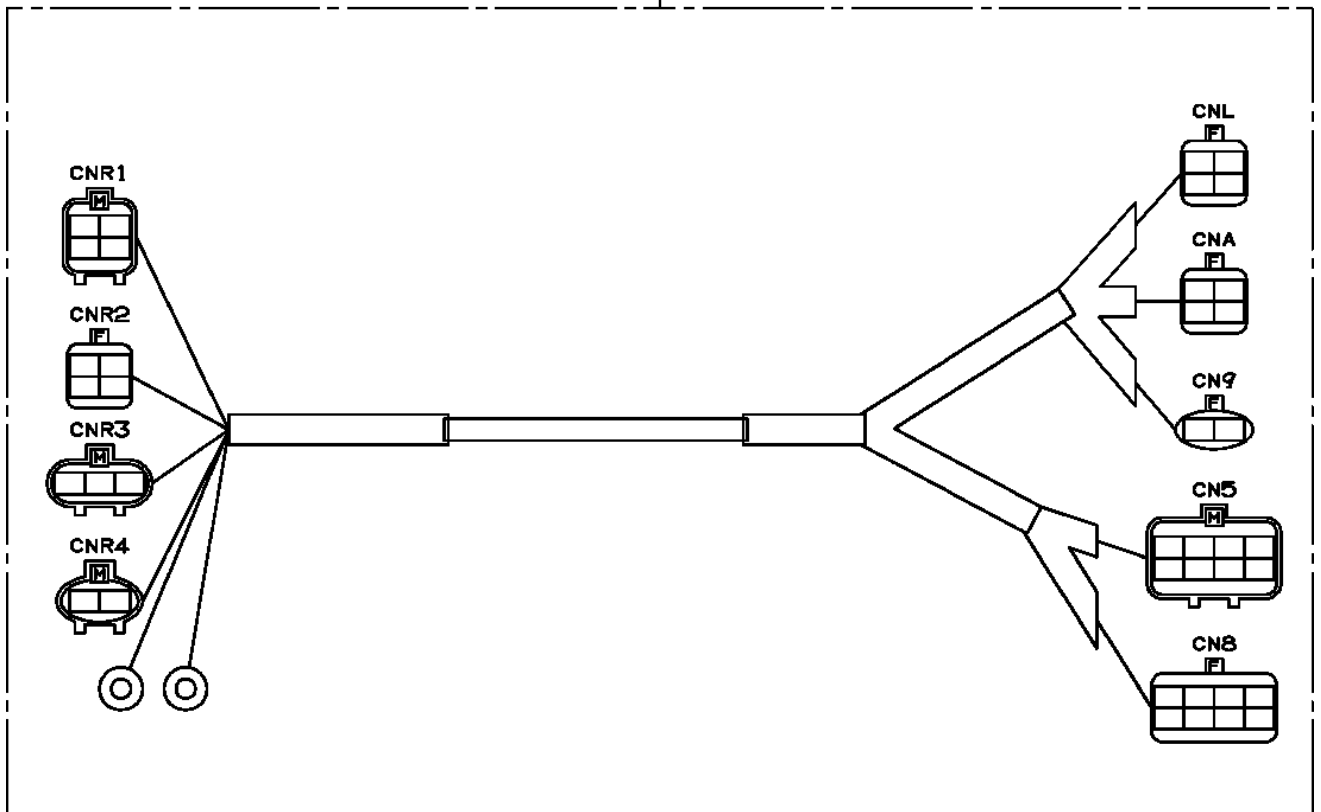


**AT-121-3 43007341221 UPPER,LOWER,ISUZU TPG-NKR85YN-EE5AHY-JM
PH5030257-00 HARNESS (FRONT JACK EXTEND/STOWING)**

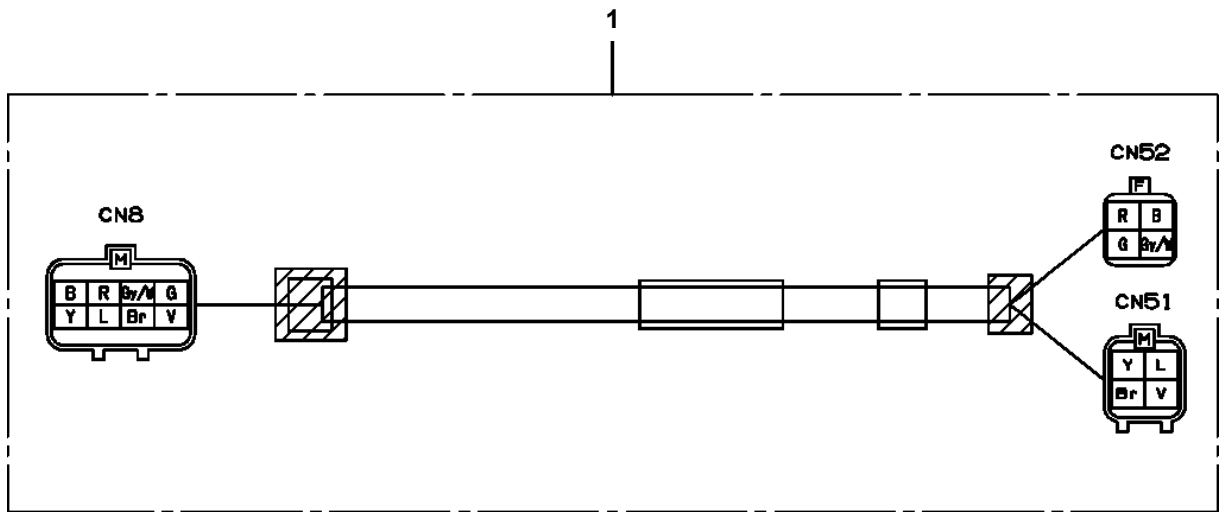


AT-121-3 43007341221 UPPER,LOWER,ISUZU TPG-NKR85YN-EE5AHY-JM
PH5030430-00 HARNESS

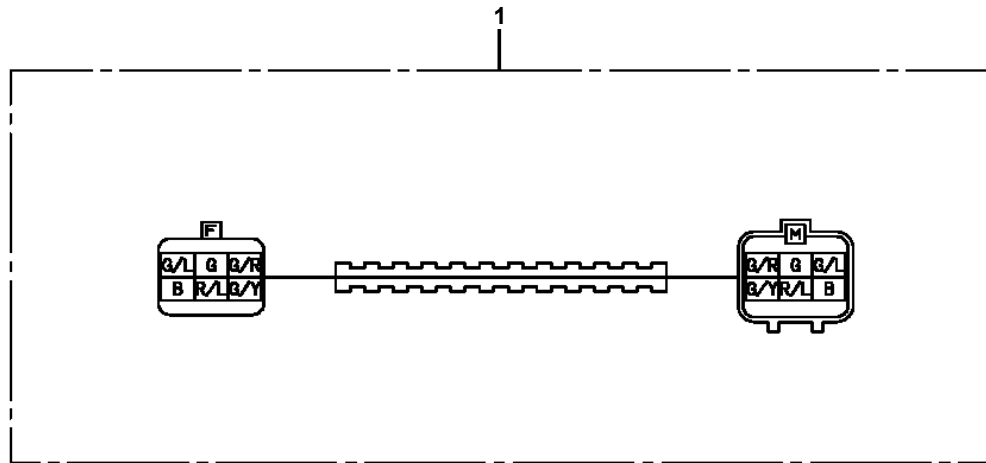
100



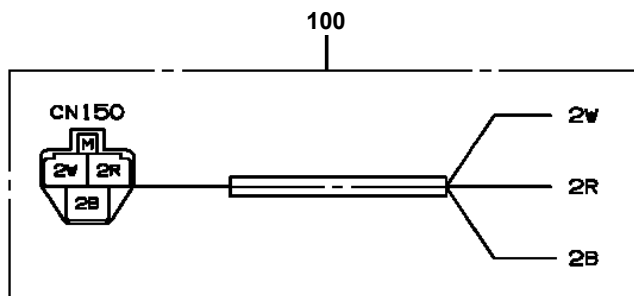
AT-121-3 43007341221 UPPER,LOWER,ISUZU TPG-NKR85YN-EE5AHY-JM
PH5031288-00 HARNESS



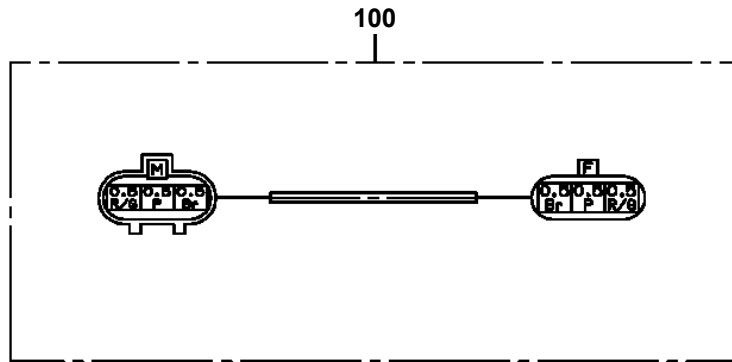
AT-121-3 43007341221 UPPER,LOWER,ISUZU TPG-NKR85YN-EE5AHY-JM
PH5031756-00 HARNESS



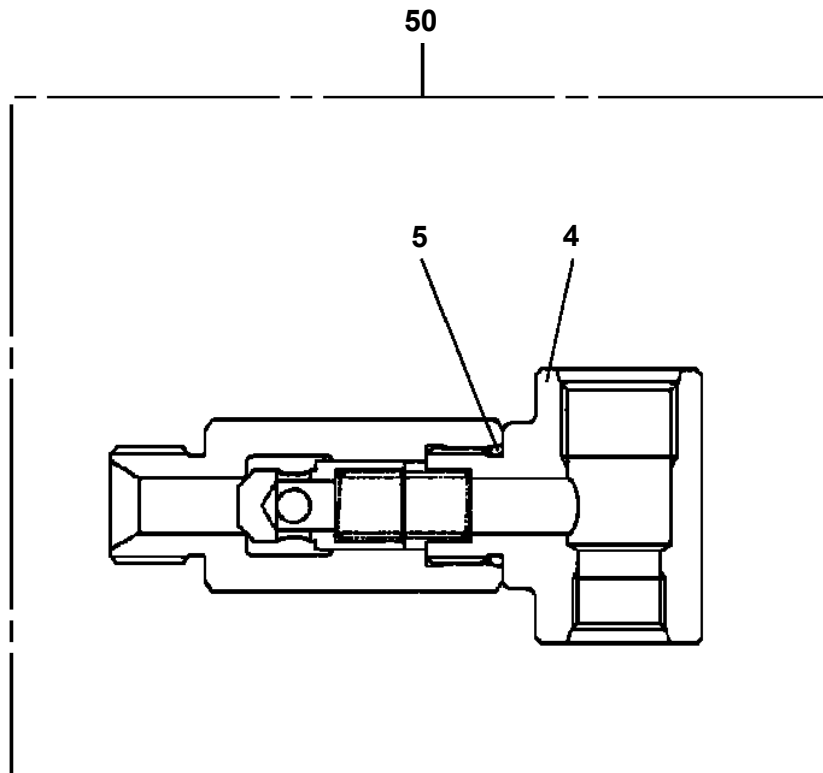
AT-121-3 43007341221 UPPER,LOWER,ISUZU TPG-NKR85YN-EE5AHY-JM
PH5032272-00 HARNESS



AT-121-3 43007341221 UPPER,LOWER,ISUZU TPG-NKR85YN-EE5AHY-JM
PH5034174-00 HARNESS



AT-121-3 43007341221 UPPER,LOWER,ISUZU TPG-NKR85YN-EE5AHY-JM
PI1140167-00 VALVE,CHECK (UZUMAKI)



CLICK HERE TO **DOWNLOAD** THE COMPLETE MANUAL

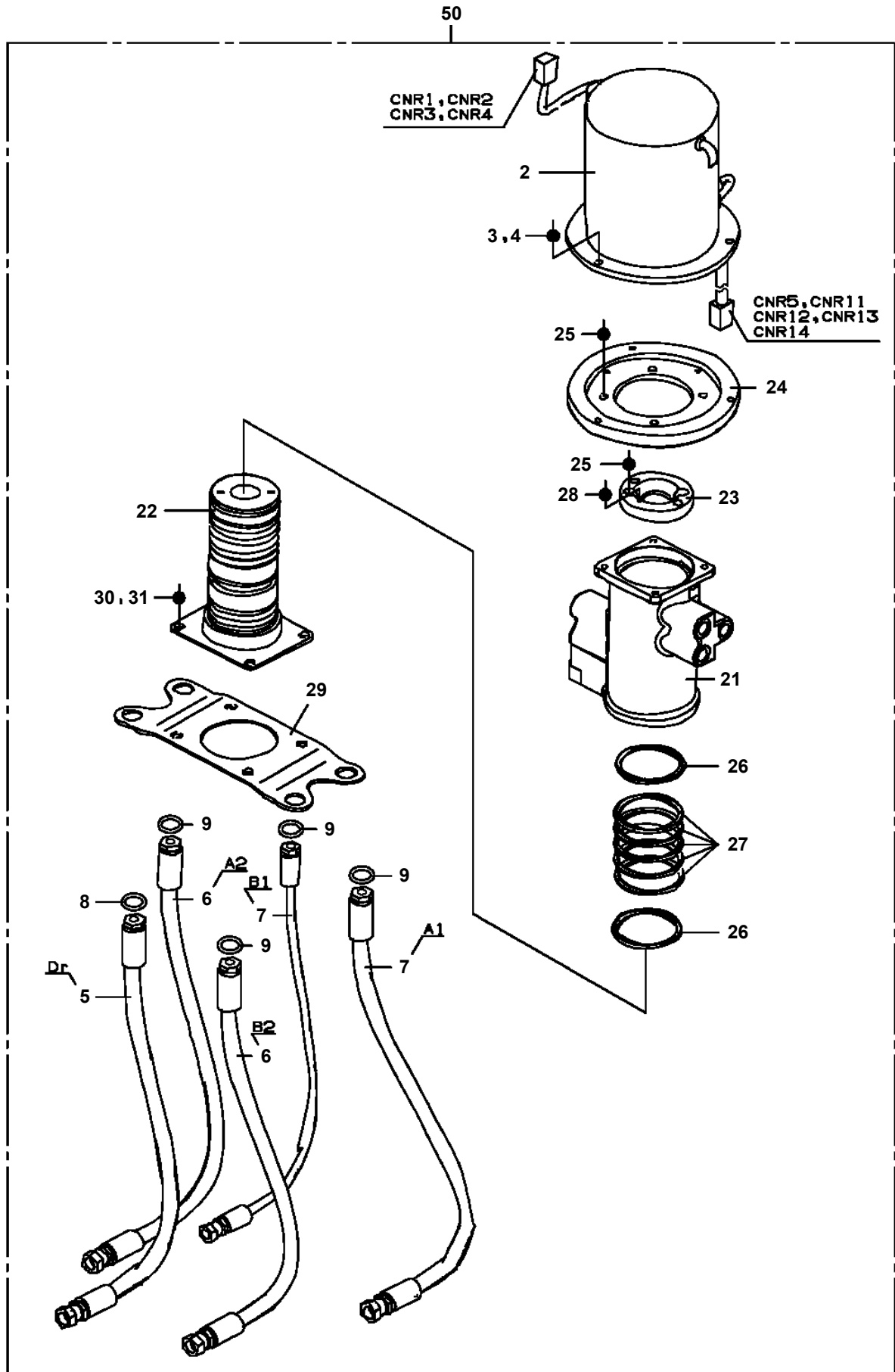
- Thank you very much for reading the preview of the manual.
- You can download the complete manual from: www.heydownloads.com by clicking the link below



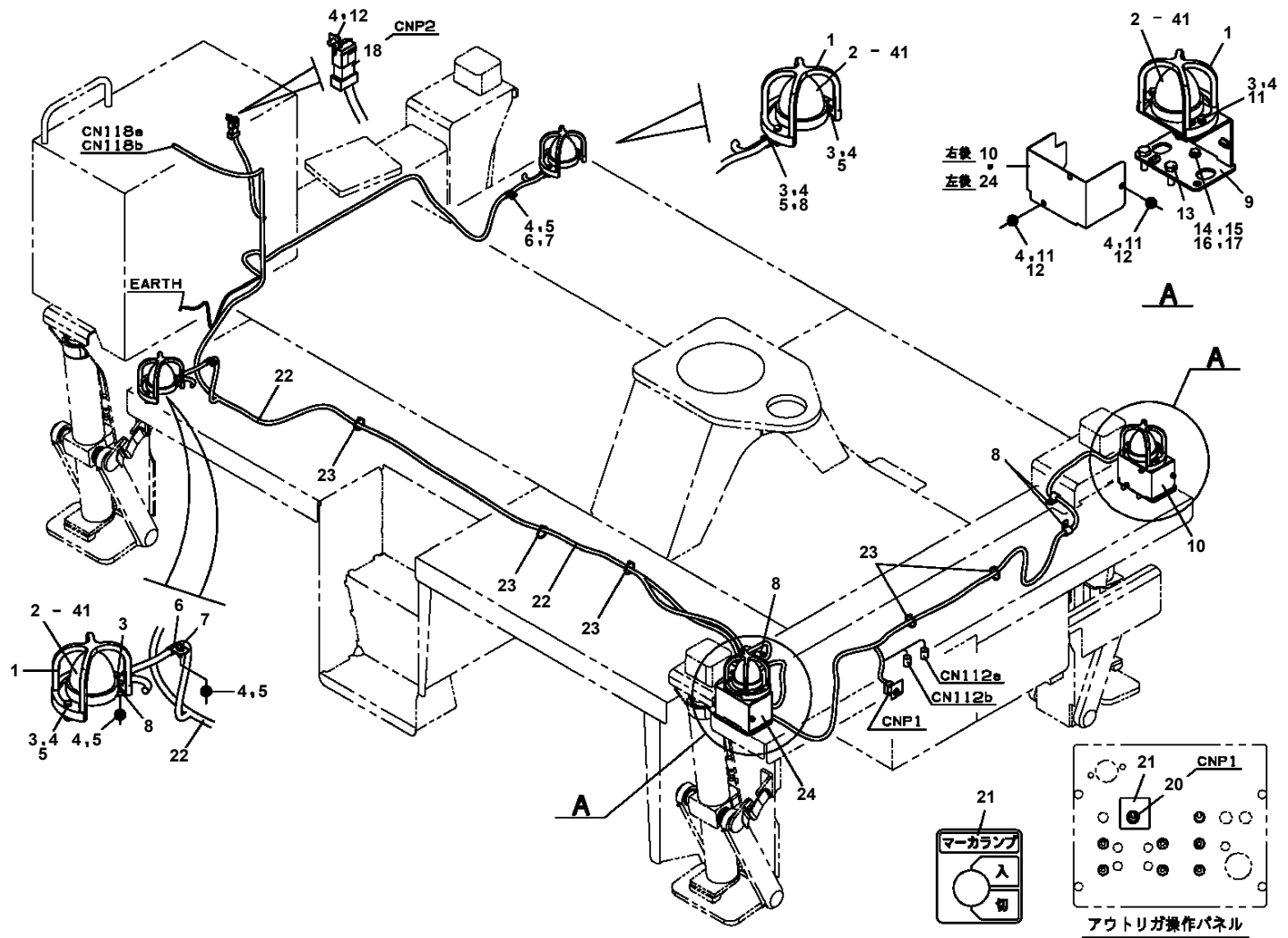
- Please note: If there is no response to CLICKING the link, please download this PDF first and then click on it.

CLICK HERE TO **DOWNLOAD** THE COMPLETE MANUAL

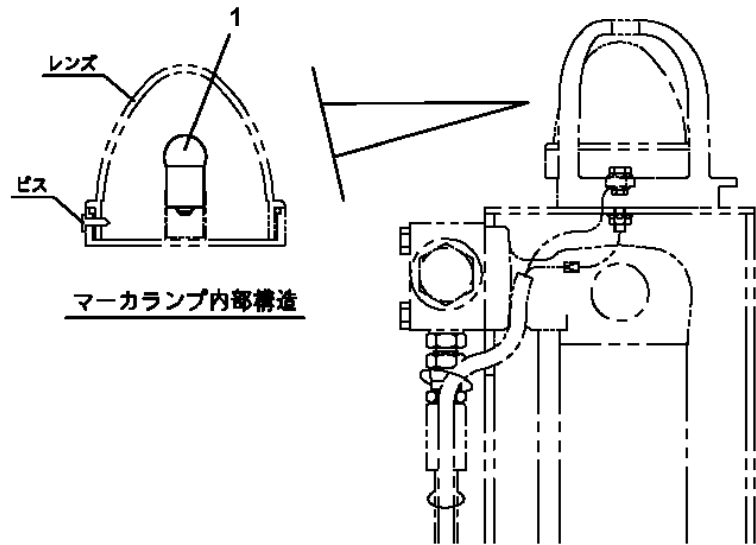
AT-121-3 43007341221 UPPER,LOWER,ISUZU TPG-NKR85YN-EE5AHY-JM
PJ5090038-00 JOINT ASSY,SWIVEL



**AT-121-3 43007341221 UPPER,LOWER,ISUZU TPG-NKR85YN-EE5AHY-JM
PL5020130-00 LAMP ASSY (MARKER/YELLOW:4 LIGHT)**



AT-121-3 43007341221 UPPER,LOWER,ISUZU TPG-NKR85YN-EE5AHY-JM
PM5150489-00 MODIFICATION ASSY (YELLOW MARKER LAMP/LED)



アウトリガジャッキ上部 (4ヶ所)

AT-121-3 43007341221 UPPER,LOWER,ISUZU TPG-NKR85YN-EE5AHY-JM

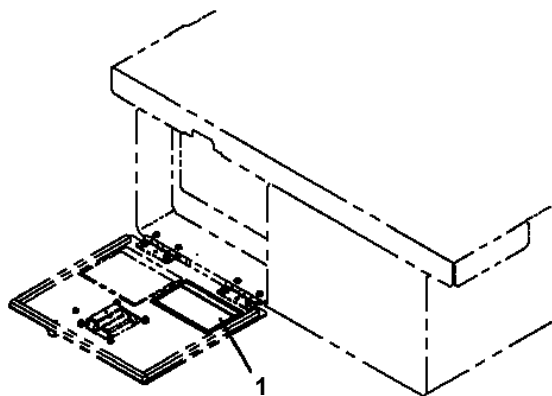
Pos No.	Parts No	Parts Name	Qty	Unit	Technical Data	Serial No (Start)	Serial No
1	82105221286	SWITCH,TOGGLE	3				
30	42354541400	SWITCH ASSY (WITH HARNESS,3 SWITCH)	1				

AT-121-3 43007341221 UPPER,LOWER,ISUZU TPG-NKR85YN-EE5AHY-JM

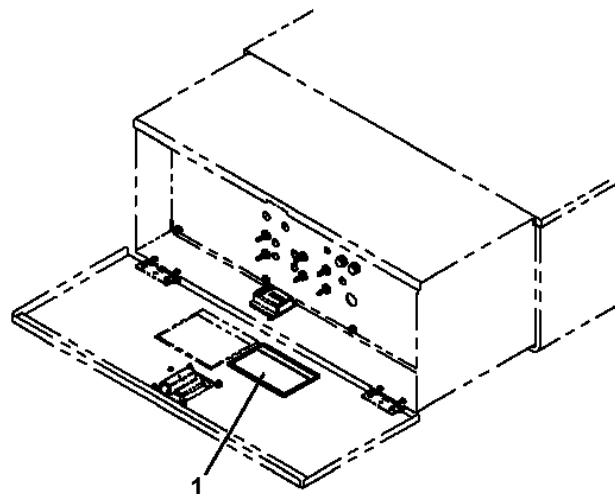
Pos No.	Parts No	Parts Name	Qty	Unit	Technical Data	Serial No (Start)	Serial No (End)	Remarks	Pages
1	42590221010	PLATE,NAME	1						
2	42590221020	PLATE,NAME	1						
3	42590221070	PLATE,NAME	1						
4	42590224010	PLATE,NAME	1						
5	42331782120	PLATE,NAME	1						
6	42331792020	PLATE,NAME	1						
7	42331272010	PLATE,NAME	1						
8	42331792030	PLATE,NAME	1						
9	42396162040	PLATE,NAME	1						
10	42391163120	PLATE,NAME	1						

AT-121-3 43007341221 UPPER,LOWER,ISUZU TPG-NKR85YN-EE5AHY-JM
 PN5011050-00 NAME PLATE ASSY (JACK HORIZONTAL)

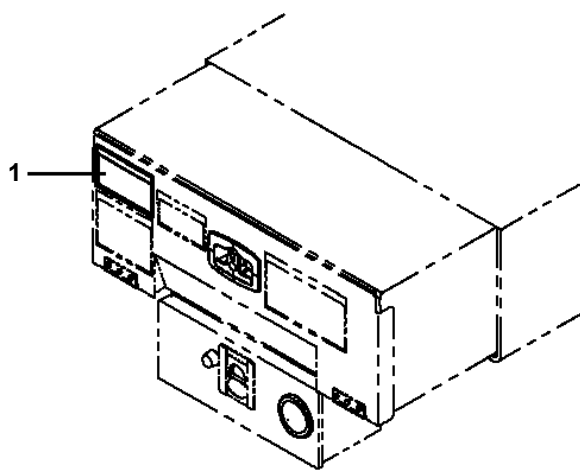
フレーム後端アウトリガ操作部
 (操作扉を開いた状態)



AT-121TG (O) / AT-121TG (F) の場合



AT-121TG (R) の場合
 AT-121TTE (~#HJ3050) の場合



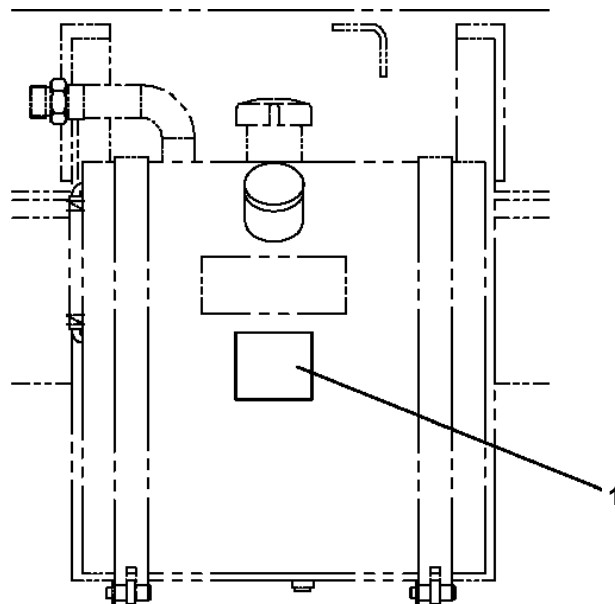
AT-121TTE (#HJ3051~) の場合

1


ジャッキ自動水平張出

- 張出時ではジャッキが張出しても水平位置で合っていない場合があります。水準器を確認して張出状態で水平に修正してください。
- ジャッキが張出せずに終了した場合ストップランプが点滅します。そのときは張出操作でジャッキを張出させてください。ランプの点滅は、すべてのジャッキを張出させるか、強制することで消灯します。

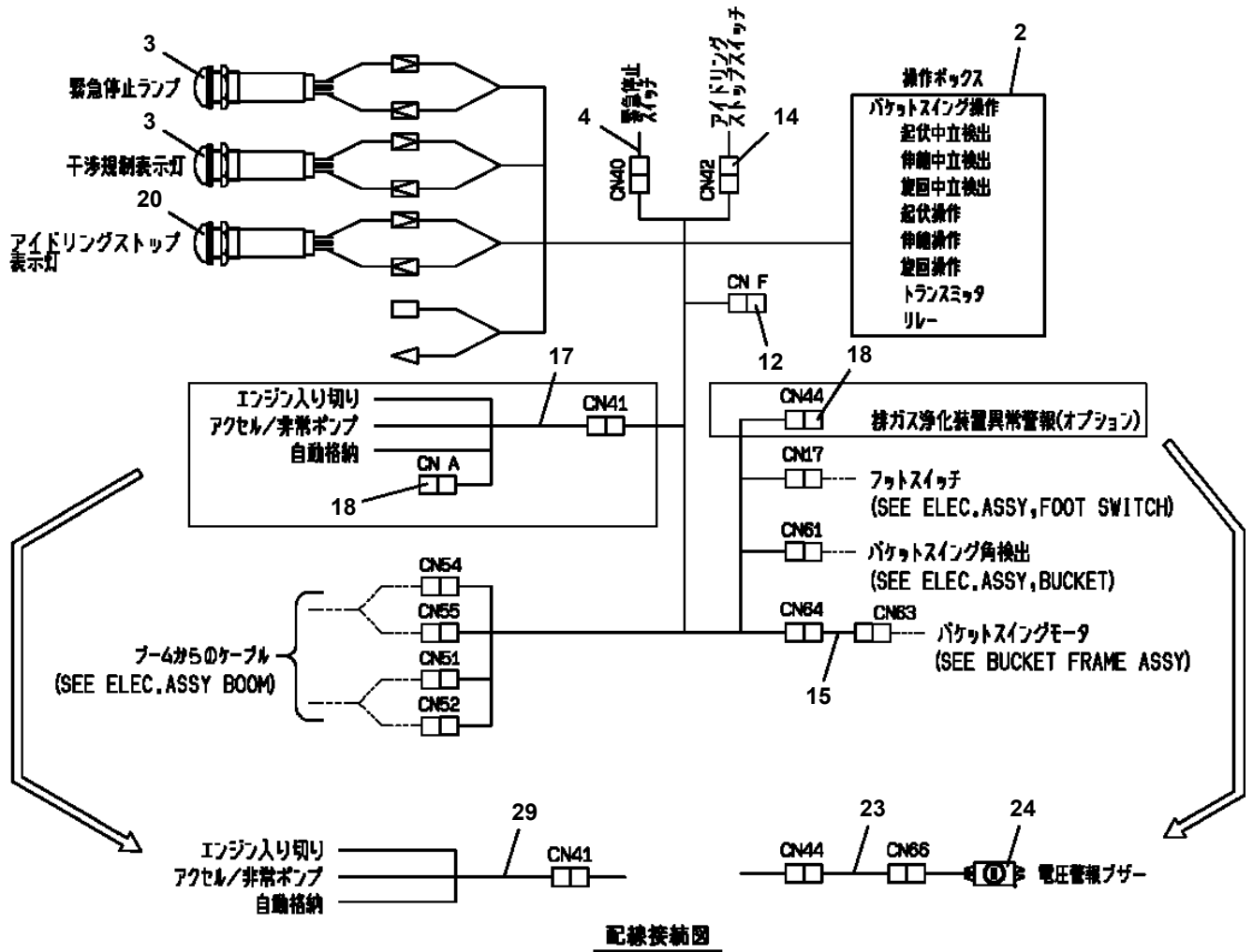
AT-121-3 43007341221 UPPER,LOWER,ISUZU TPG-NKR85YN-EE5AHY-JM
PO1013121-01 PLATE ASSY,NAME (HYDRAULIC OIL)



1

 注 意
<ul style="list-style-type: none">• ポンプの換付等により重大な故障の原因となるので、 "作動油"または"油圧ポンプ"を交換したときは、 必ず油圧ポンプのエア抜きを行ってください。• 油量は、必ず全行実測で確認してください。
純正作動油
タダノハイドロリックオイル LL
<small>370-022-17330-2</small>

AT-121-3 43007341221 UPPER,LOWER,ISUZU TPG-NKR85YN-EE5AHY-JM
 PO5050035-03 OPE.ASSY,BUCKET

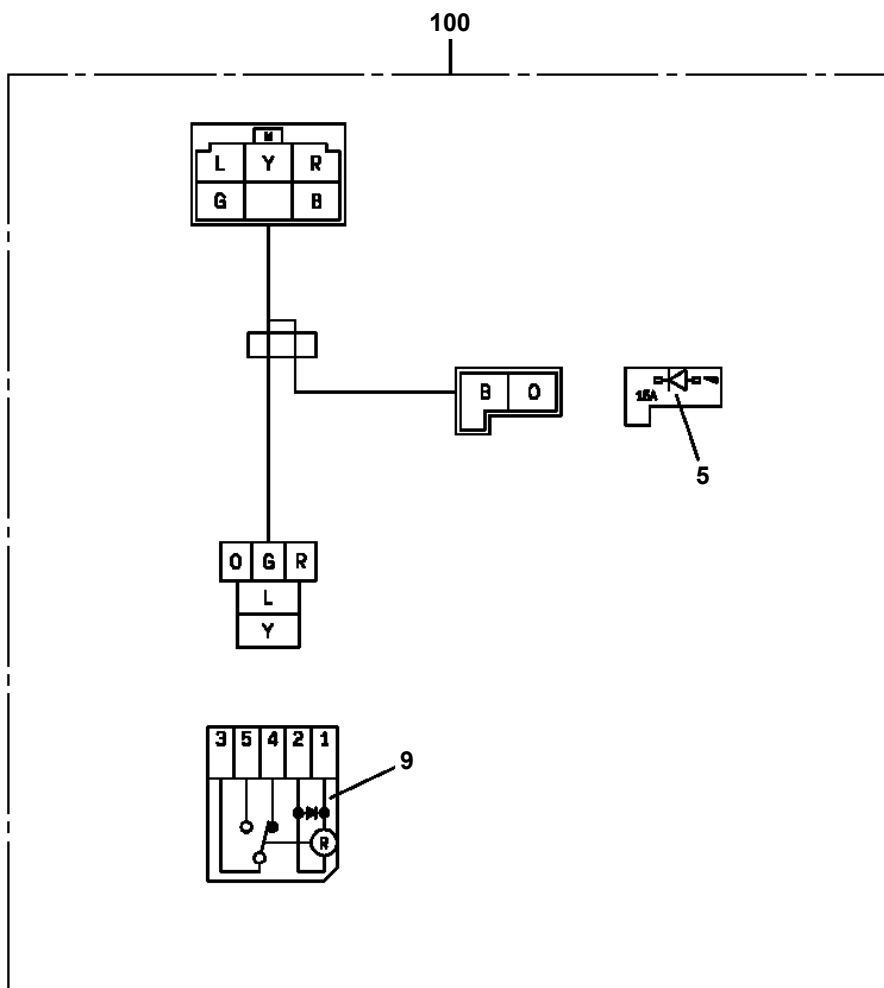


配線接続図

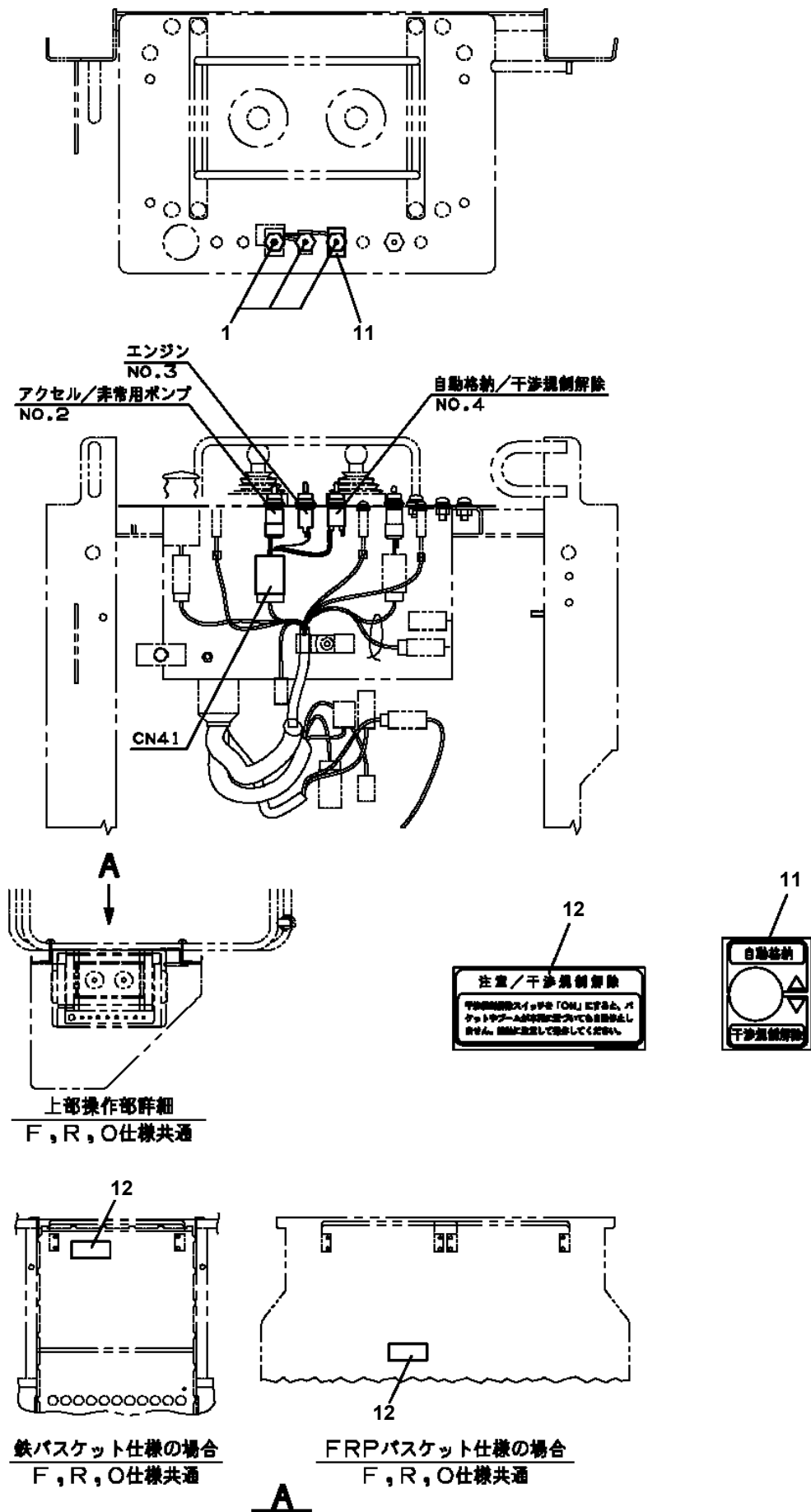
AT-121-3 43007341221 UPPER,LOWER,ISUZU TPG-NKR85YN-EE5AHY-JM

Pos No.	Parts No	Parts Name	Qty	Unit	Technical Data	Serial No (Start)	Serial No (End)	Remarks
1	37004100040	PUMP,GREASE (DOMESTIC)	1					

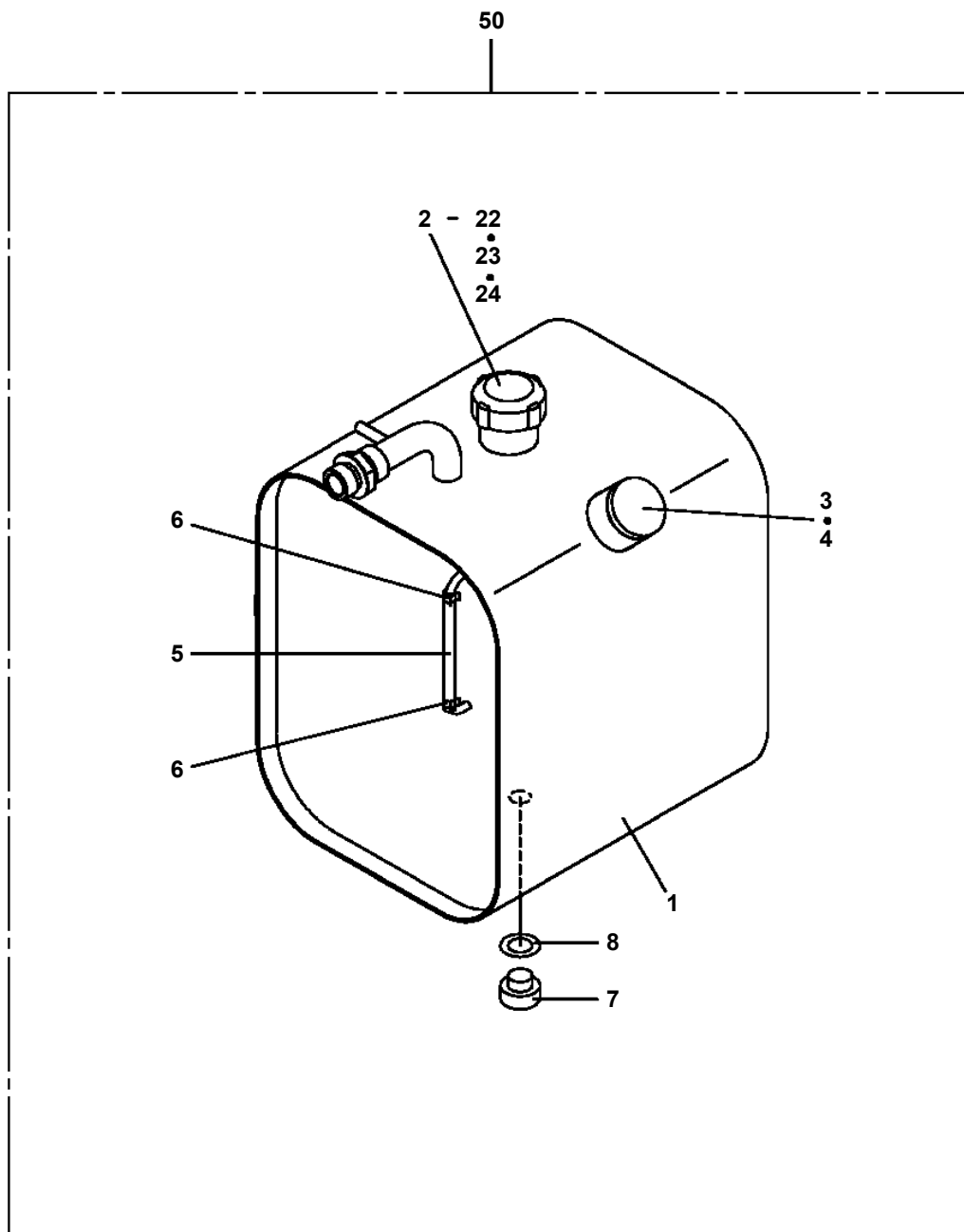
AT-121-3 43007341221 UPPER,LOWER,ISUZU TPG-NKR85YN-EE5AHY-JM
PR5210003-00 RELAY



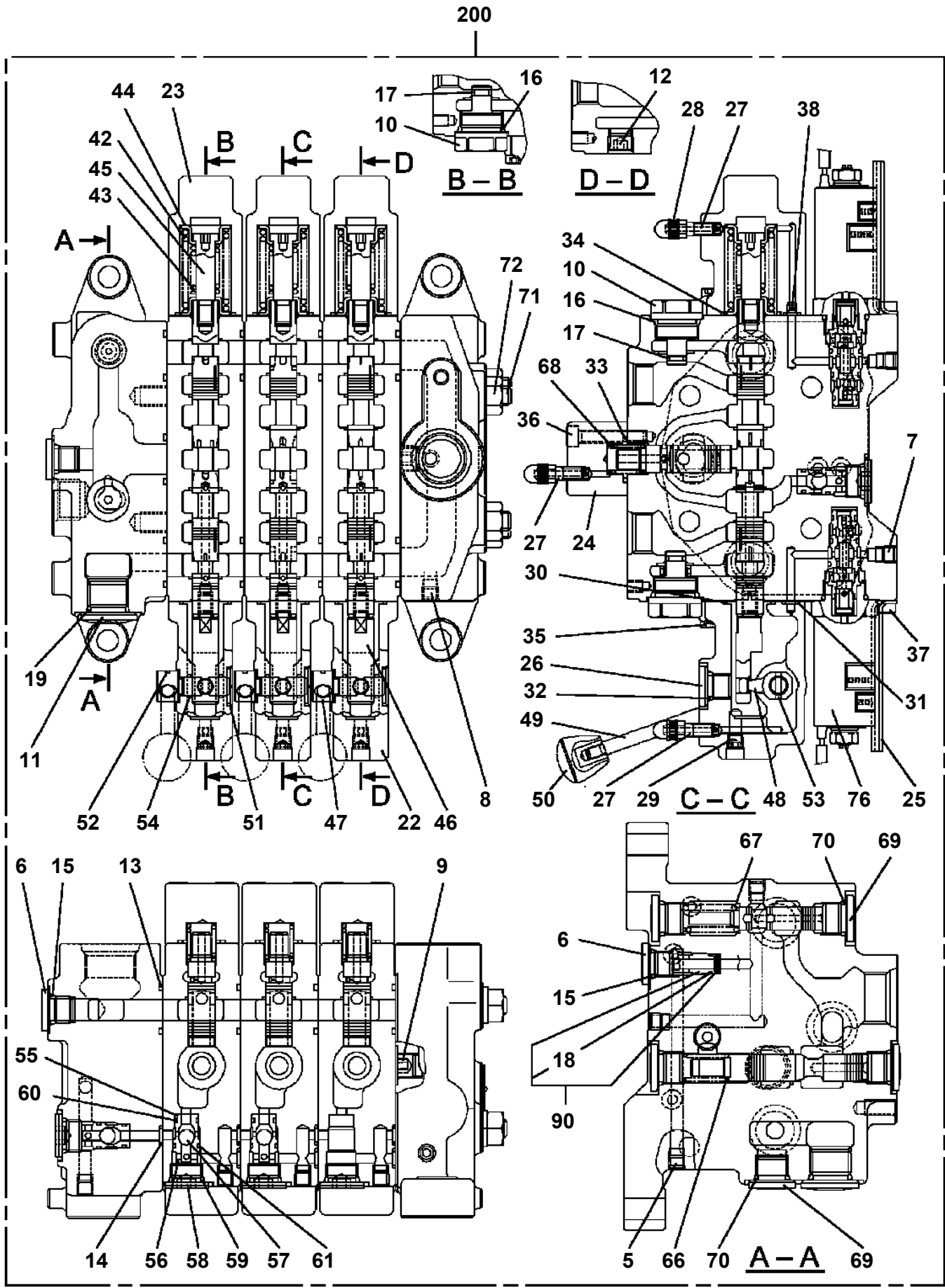
AT-121-3 43007341221 UPPER,LOWER,ISUZU TPG-NKR85YN-EE5AHY-JM
 PS5530129-00 SWITCH ASSY (INTERFERENCE PREVENTION CANCEL)



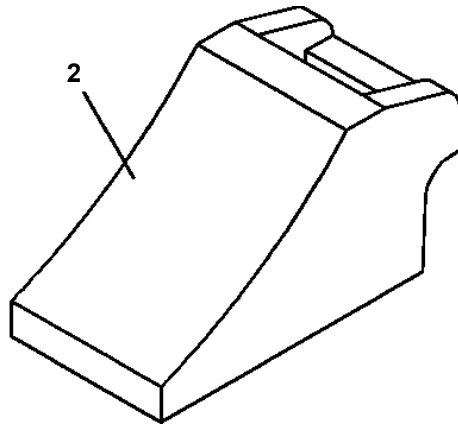
AT-121-3 43007341221 UPPER,LOWER,ISUZU TPG-NKR85YN-EE5AHY-JM
PT5090008-00 TANK ASSY,OIL



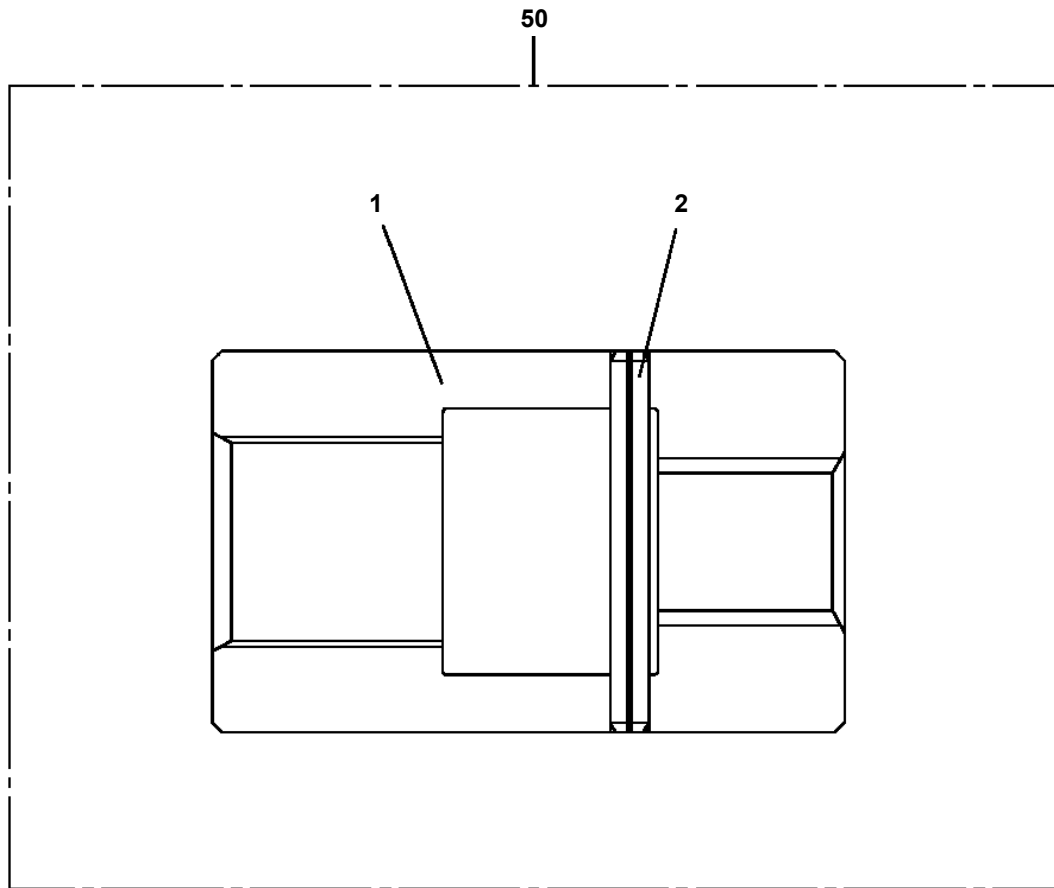
AT-121-3 43007341221 UPPER,LOWER,ISUZU TPG-NKR85YN-EE5AHY-JM
 PV5150017-00 VALVE ASSY,REMOTE CONTROL



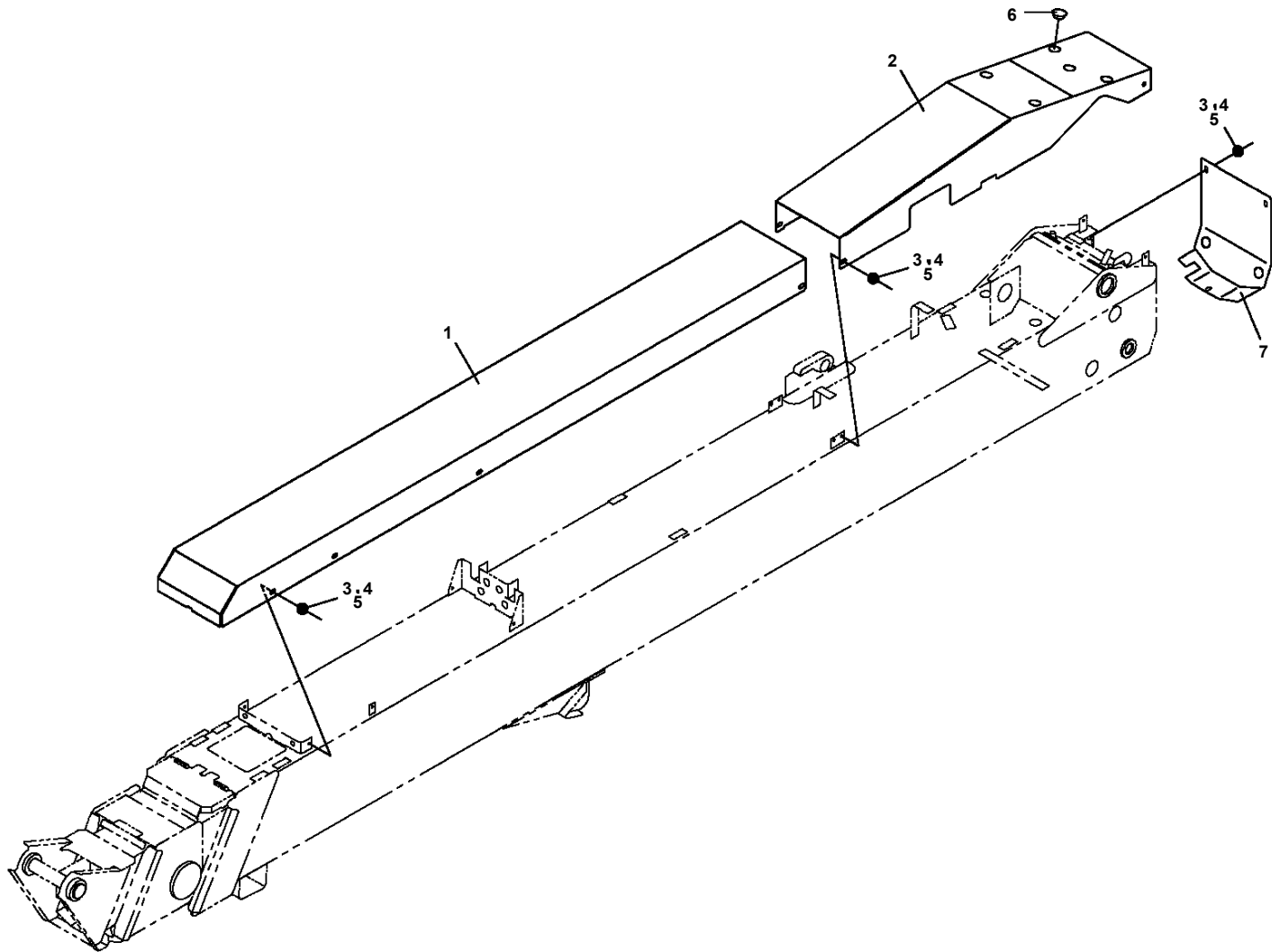
AT-121-3 43007341221 UPPER,LOWER,ISUZU TPG-NKR85YN-EE5AHY-JM
PW1050011-00 STOPPER,TIRE



AT-121-3 43007341221 UPPER,LOWER,ISUZU TPG-NKR85YN-EE5AHY-JM
PX1830013-00 COUPLING



AT-121-3 43007341221 UPPER,LOWER,ISUZU TPG-NKR85YN-EE5AHY-JM
PX5260007-00 MOUNT ASSY,COVER (BOOM)



AT-121-3 43007341221 UPPER,LOWER,ISUZU TPG-NKR85YN-EE5AHY-JM

Pos No.	Parts No	Parts Name	Qty	Unit	Technical Data	Serial No (Start)	Serial No (End)	Remarks	Pages
1	42812051000	STEP	1						
2	90302041001	WASHER,SPRING	8		10				
3	90101210045	BOLT	4		M10X45				
4	90101210018	BOLT	4		M10X18				
5	37010500140	PLATE	2						
6	90303071001	WASHER,PLAIN	4		10				
7	90201201000	NUT	4		M10				
8	42811810200	SUPPORT	1				HJ3203		
9	90101208020	BOLT	2		M8X20				
18	42812050100	SUPPORT	1			HJ3204			

AT-121-3 43007341221 UPPER,LOWER,ISUZU TPG-NKR85YN-EE5AHY-JM

Pos No.	Parts No	Parts Name	Qty	Unit	Technical Data	Serial No (Start)	Serial No (End)	Remarks	Pages
1	42847970100	WEIGHT	1						
2	90302041601	WASHER,SPRING	4		16				
3	90101216055	BOLT	4		M16X55				

CLICK HERE TO **DOWNLOAD** THE COMPLETE MANUAL

- Thank you very much for reading the preview of the manual.
- You can download the complete manual from: www.heydownloads.com by clicking the link below



- Please note: If there is no response to CLICKING the link, please download this PDF first and then click on it.

CLICK HERE TO **DOWNLOAD** THE COMPLETE MANUAL