

AT-121-3 43007340401 UPPER,LOWER,ISUZU TKG-NKR85AN-EE5AHY

PB0000276-02 UPPER STRUCTURE SYSTEM

PB0000500-02 LOWER STRUCTURE SYSTEM

ASSEMBLY

CLICK HERE TO **DOWNLOAD** THE COMPLETE MANUAL

- Thank you very much for reading the preview of the manual.
- You can download the complete manual from: www.heydownloads.com by clicking the link below



- Please note: If there is no response to CLICKING the link, please download this PDF first and then click on it.

CLICK HERE TO **DOWNLOAD** THE COMPLETE MANUAL

AT-121-3 43007340401 UPPER,LOWER,ISUZU TKG-NKR85AN-EE5AHY

Pos No.	Parts No	Parts Name	Qty	Unit	Technical Data	Serial No (Start)	Serial No (End)	Remarks	Pages
1	31790650000	COUPLING	1						000192

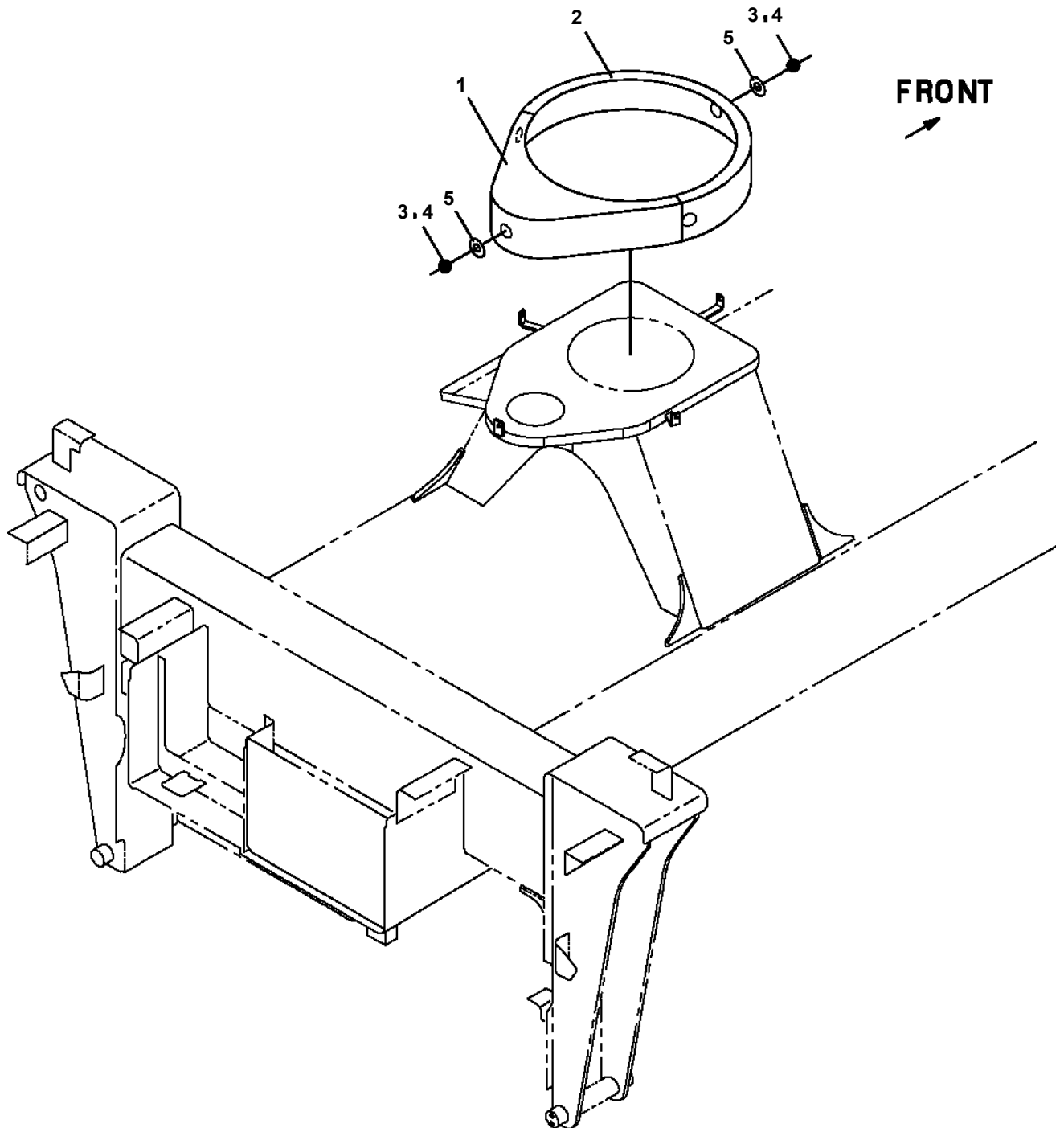
AT-121-3 43007340401 UPPER,LOWER,ISUZU TKG-NKR85AN-EE5AHY

Pos No.	Parts No	Parts Name	Qty	Unit	Technical Data	Serial No (Start)	Serial No (End)	Remarks
1	90101208016	BOLT	2		M8X16			
2	90302040801	WASHER,SPRING	2		8			
3	36630910060	NEEDLE	1					
4	36630910030	HOLDER	1					
5	91002801000	O-RING	1		1B P10			
6	91410001000	RING,BACKUP	1		P10			
8	36630910050	POPPET	1					
9	52255101000	SPRING	1					
10	91002801400	O-RING	1		1B P14			
11	36620030050	PLUG	1					
12	82400000350	KNOB	1					
13	37000508510	PLATE	1					
14	80172303006	SCREW,MACHINE	1		M3X6			
100	36636340000	VALVE,MANUAL CONTROL	1					

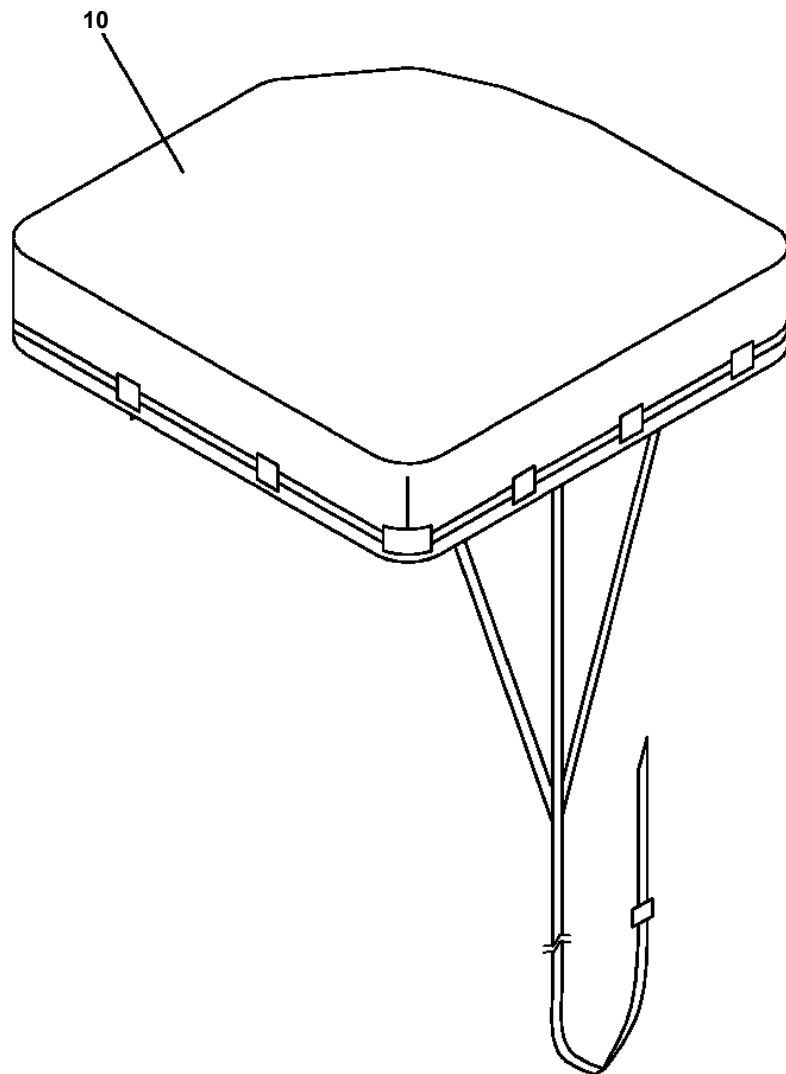
AT-121-3 43007340401 UPPER,LOWER,ISUZU TKG-NKR85AN-EE5AHY

Pos No.	Parts No	Parts Name	Qty	Unit	Technical Data	Serial No (Start)	Serial No (End)	Remarks
1	42203079510	BOOM,BASE	1					
2	42203072000	BOOM,2ND	1				HJ2452	
	42203052100	BOOM,2ND	1			HJ2453		
3	42203053000	BOOM,TOP	1					
5	42200484100	PLATE	6		T=0.8			
6	42200810020	PIN	1					
7	42202400010	SUPPORT	1					
8	42202400060	ROLLER	2					
9	42202400070	PLATE	2					
10	42203050010	PLATE	2		T=2.3			
11	42202400090	PLATE	N		T=0.5			
12	42202400120	PLATE	4		T=3.2			
13	42202400130	PLATE	N		T=0.5			
14	42202400140	PLATE	12		T=0.8			
15	42202400160	PLATE	N		T=0.8			
17	42202980200	SHEAVE ASSY	1					
18	31630302000	PLATE	N		T=1.5			
19	31631222000	CAP	4					
20	37000118960	PIN	2					
21	37000136510	PIN	4					
22	37000136530	PIN	2					
23	37000155030	PIN	2					
24	37000181820	PIN	1					
25	37000187050	PIN	1					
26	37000187080	PIN	2					
27	37000401810	BEARING,PLAIN	2					
28	37000558530	PLATE	1		T=9			
29	37000573190	PLATE	N		T=1.0			
31	37000584990	PLATE	N		T=0.8			
32	37001922170	ROPE,WIRE (KOKOKU)	2		8X6.89M			
	37001922160	ROPE,WIRE (TESAC)	2		8X6.89M			
33	37001923270	ROPE,WIRE (TESAC)	2		7X3.7M			
34	37002016220	PLATE,SLIDE	2		T=12		HJ4382	
	37002018500	PLATE,SLIDE	2			HJ4383		
35	37002018260	PLATE,SLIDE	2					
36	37002020370	PLATE,SLIDE	2		T=15			
38	37002018510	PLATE,SLIDE	4					
39	37002018540	PLATE,SLIDE	4				HJ4382	
	37002005260	PLATE,SLIDE	4			HJ4383		
40	37002018970	PLATE,SLIDE	4		T=10			
41	37002018980	PLATE,SLIDE	2		T=12			
42	37002020030	PLATE,SLIDE	2		T=25			
43	37010101720	PIN	1					
44	80136363056	PIN,SPLIT	1		6.3X56			
45	80184306012	SCREW,MACHINE	6		M6X12			
46	80601110200	RING,RITAINING	6		S20			
47	80602110300	RING,RITAINING	7		R30			
48	80801003025	BEARING,PLAIN	1					
49	82455106000	NIPPLE,GREASE	4		A-M6F FE			
51	90171108020	BOLT	12		M8X20			
52	90171110022	BOLT	4		M10X22			
53	90171110025	BOLT	12		M10X25			
54	90171208030	BOLT	8		M8X30			
55	90172110020	BOLT,HEXAGON SOCKET	2		M10X20			
56	90202481200	NUT	8		M12			
57	90238403008	NUT,CASTLE	1		M30X2			
59	90302040801	WASHER,SPRING	20		8			
60	90302041001	WASHER,SPRING	14		10			
61	90303071001	WASHER,PLAIN	12		10			
62	90303073001	WASHER,PLAIN	1		30			
63	90171110020	BOLT	4		M10X20			
64	37002018480	PLATE,SLIDE	2					
65	37000584970	PLATE	N		T=0.8			

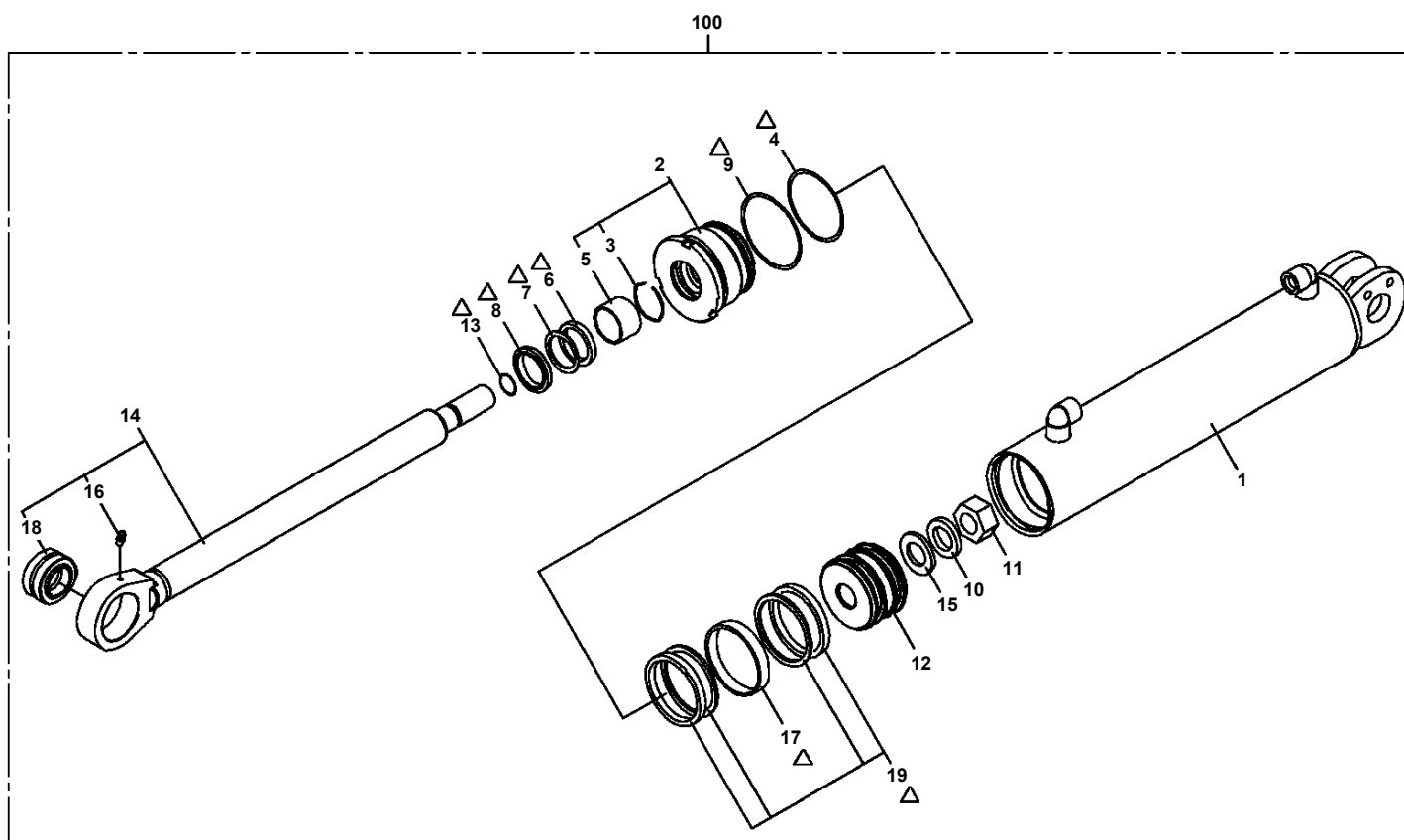
**AT-121-3 43007340401 UPPER,LOWER,ISUZU TKG-NKR85AN-EE5AHY
PC5570071-00 COVER ASSY (SWING BEARING/BLACK)**



**AT-121-3 43007340401 UPPER,LOWER,ISUZU TKG-NKR85AN-EE5AHY
PC5570303-00 COVER ASSY (FRP BUCKET)**

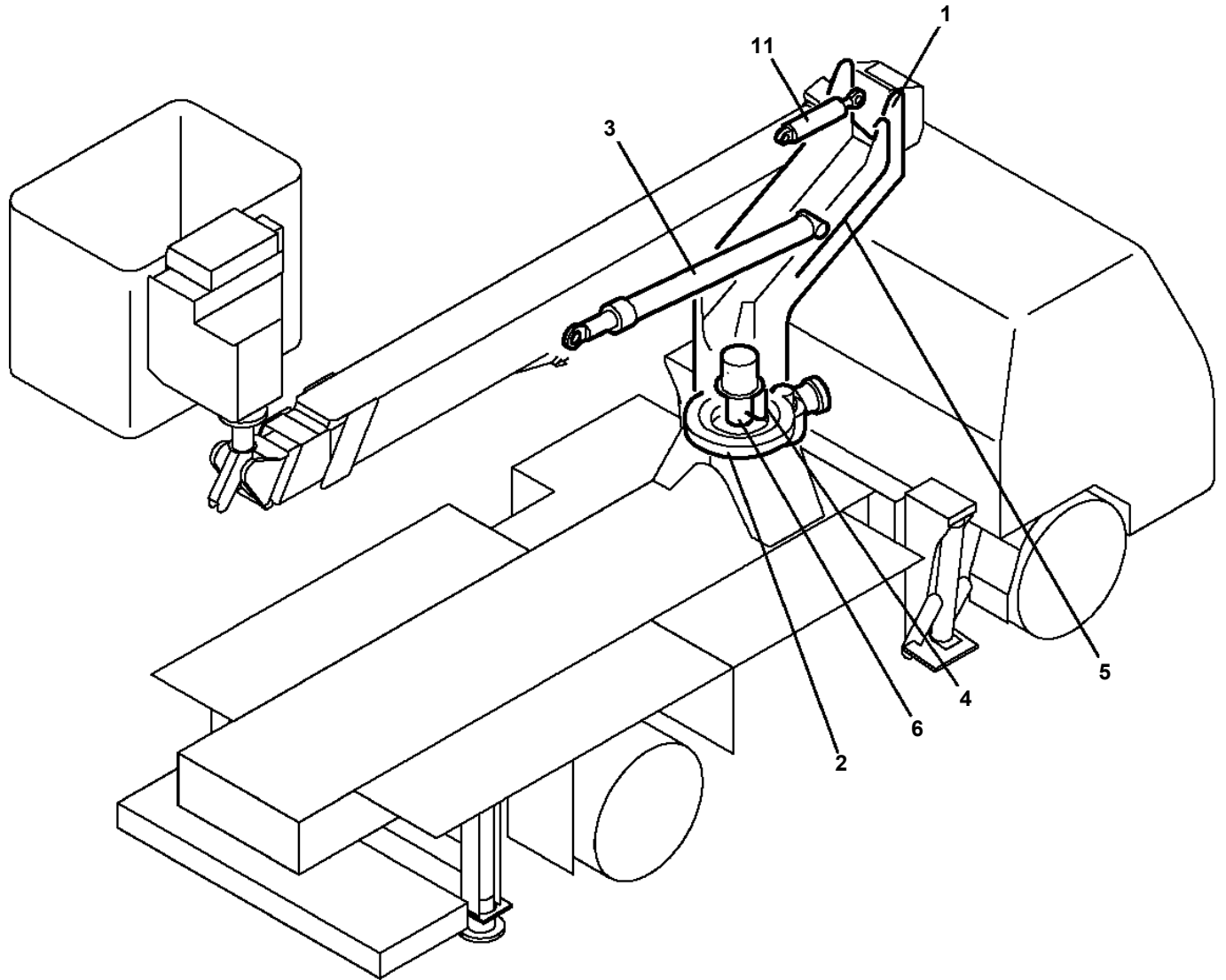


AT-121-3 43007340401 UPPER,LOWER,ISUZU TKG-NKR85AN-EE5AHY
PC6400002-00 CYLINDER ASSY,LEVELING (LOWER)



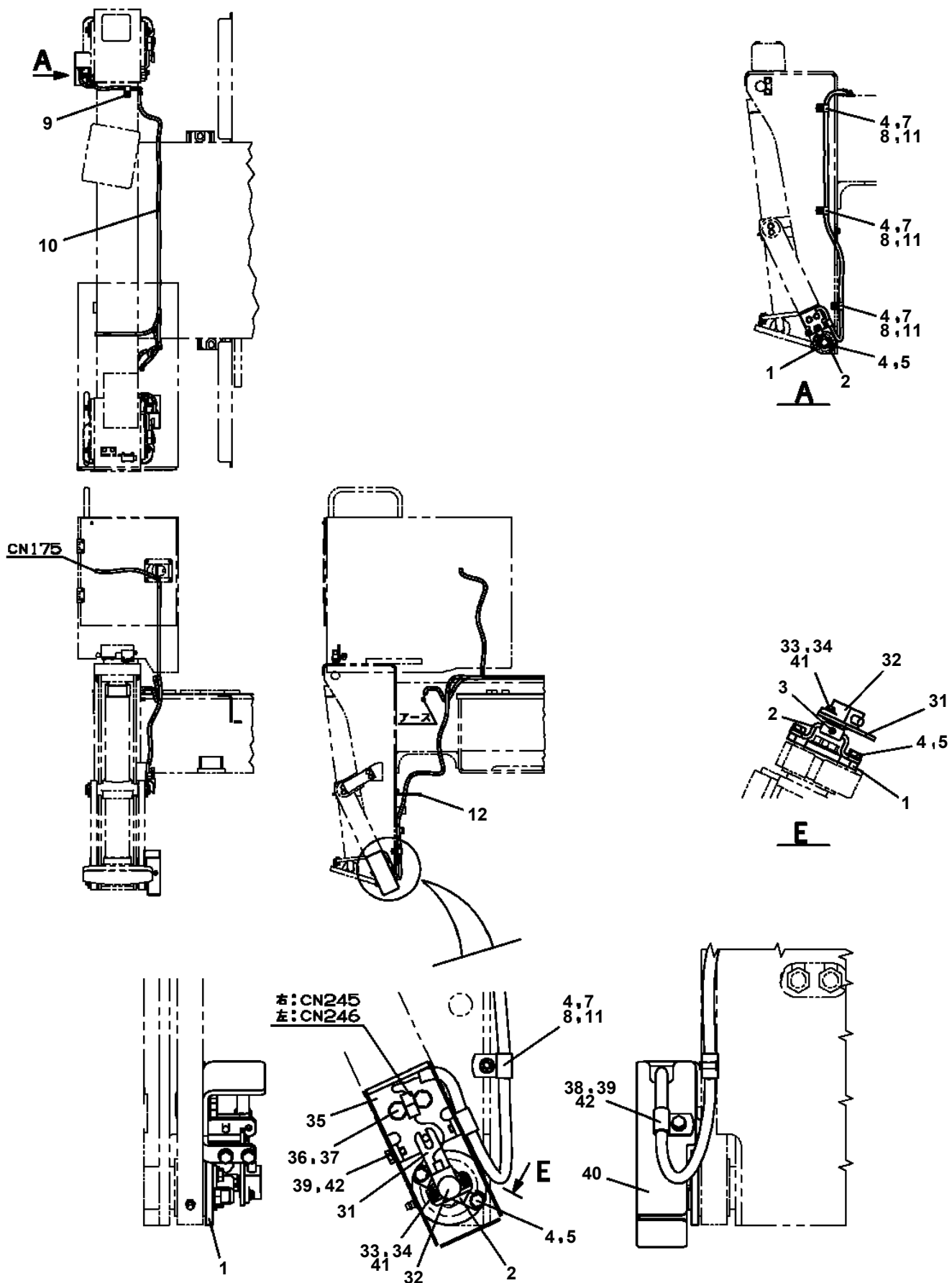
Δ:PACKING SET KEY NO.50 (KEY NO.4,6,7,8,9,13,17,19)

**AT-121-3 43007340401 UPPER,LOWER,ISUZU TKG-NKR85AN-EE5AHY
PD2000247-00 SWING UNIT**



AT-121-3 43007340401 UPPER,LOWER,ISUZU TKG-NKR85AN-EE5AHY
 PE5020324-00 ELEC.ASSY (FRONT OUTRIGGER STOP)

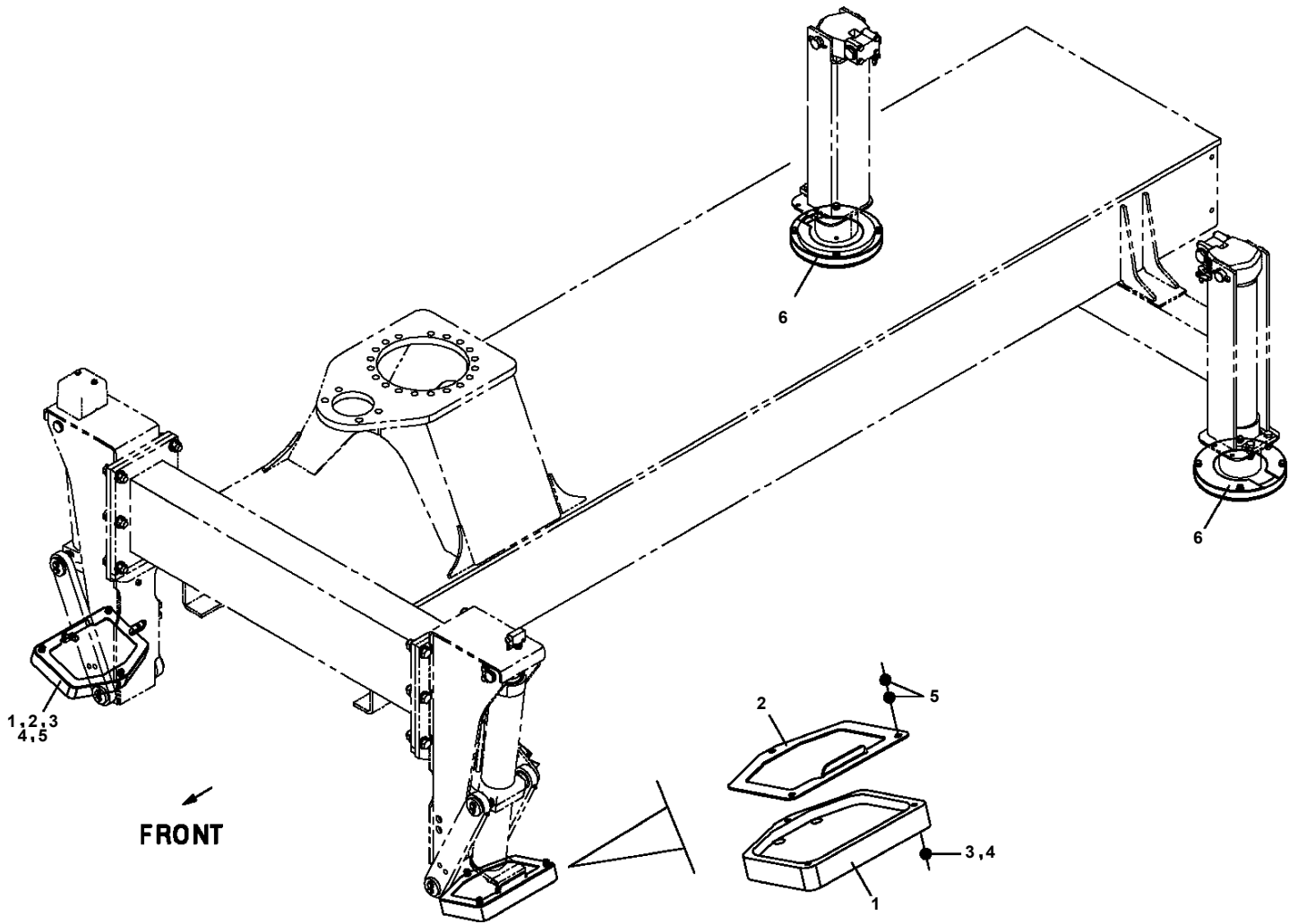
FRONT ←



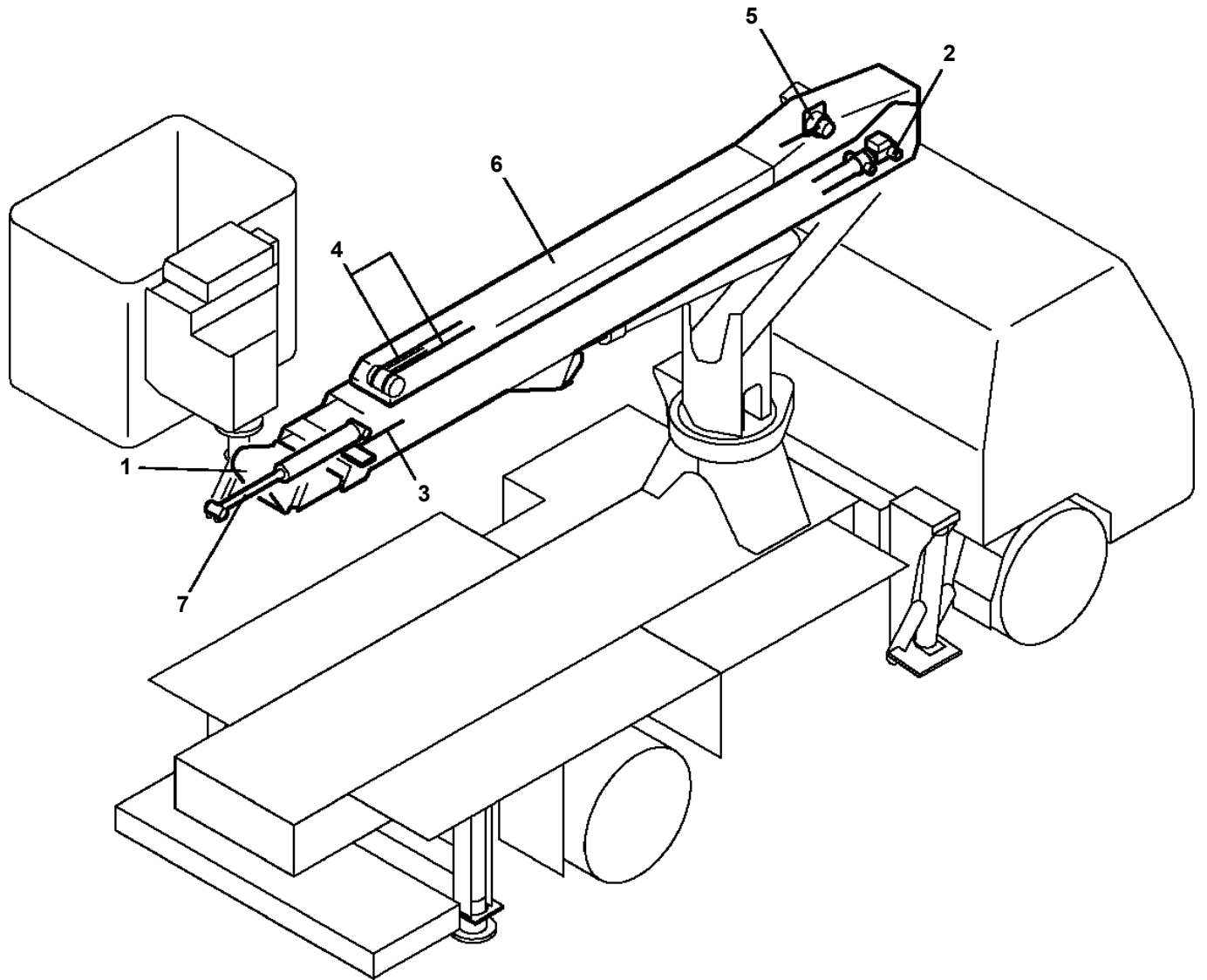
AT-121-3 43007340401 UPPER,LOWER,ISUZU TKG-NKR85AN-EE5AHY

Pos No.	Parts No	Parts Name	Qty	Unit	Technical Data	Serial No (Start)	Serial No (End)
1	42355791000	DETECTOR,ANGLE	1				
2	80172805014	SCREW,MACHINE	2		M5X14		HJ5422
	80192485014	SCREW,MACHINE (WITH WASHER)	2		M5X14	HJ5423	
3	90303520501	WASHER,PLAIN	4		5		HJ5422
	90303070501	WASHER,PLAIN	2		5	HJ5423	
4	90201500500	NUT	2		M5		HJ5422
	90201200500	NUT	2		M5	HJ5423	
5	90302510501	WASHER,SPRING	2		5		HJ5422
6	42357400101	PLATE	1		T=1		
7	90302040801	WASHER,SPRING	1		8		
8	90180208014	BOLT,BUTTON	1		M8X14		
9	42355790300	SUPPORT	1				
10	82100002002	CLAMP	1		WR6		
11	91810130240	FASTENER	10				
12	90280200800	NUT,FLANGE	1		M8		
13	90750005081	SCREW,SET	1		M5X8		

**AT-121-3 43007340401 UPPER,LOWER,ISUZU TKG-NKR85AN-EE5AHY
PF5050005-00 FLOAT ASSY (JACK PAD)**



**AT-121-3 43007340401 UPPER,LOWER,ISUZU TKG-NKR85AN-EE5AHY
PG2000332-00 BOOM UNIT**

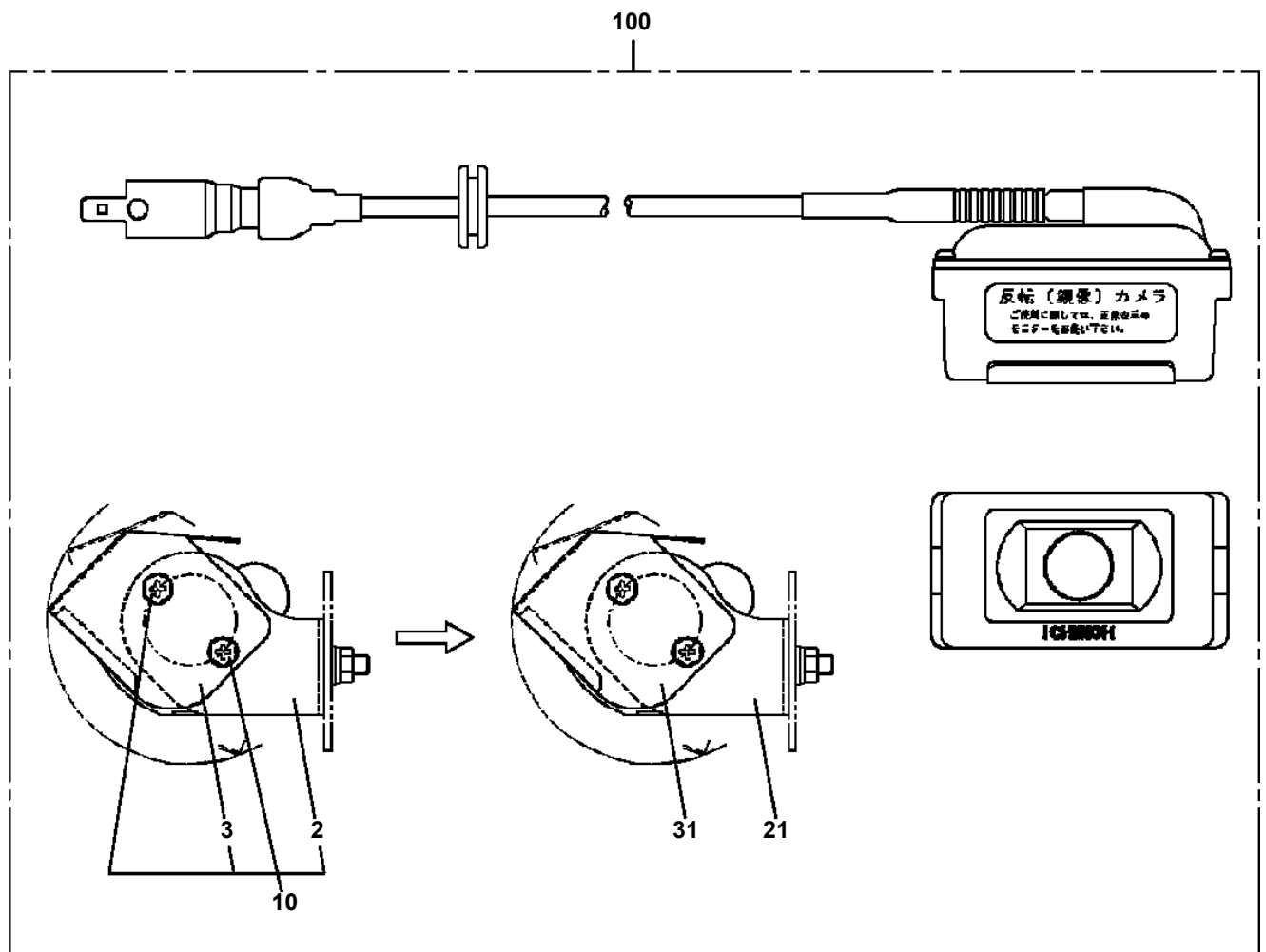


**AT-121-3 43007340401 UPPER,LOWER,ISUZU TKG-NKR85AN-EE5AHY
PH1000633-00 SAFETY DEVICES (AUTOMATIC MOTION CONTROLLER)**

アンゼン ソウチ
SAFETY DEVICES

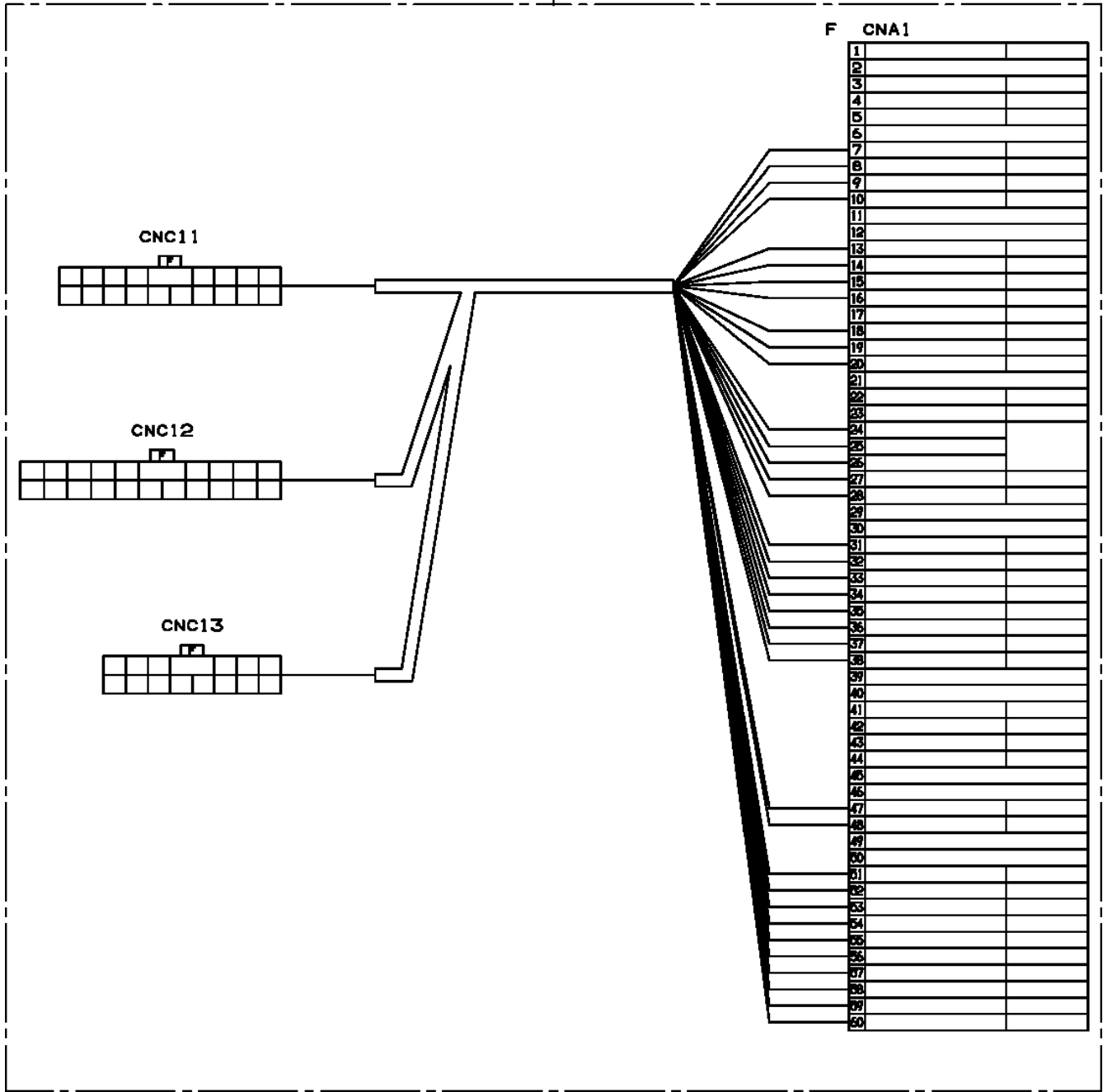
〔組立名称一覧〕より選択してください。
SEE THE CORRESPONDING "ASSEMBLY NAME" LIST.

AT-121-3 43007340401 UPPER,LOWER,ISUZU TKG-NKR85AN-EE5AHY
PH1750007-01 CAMERA

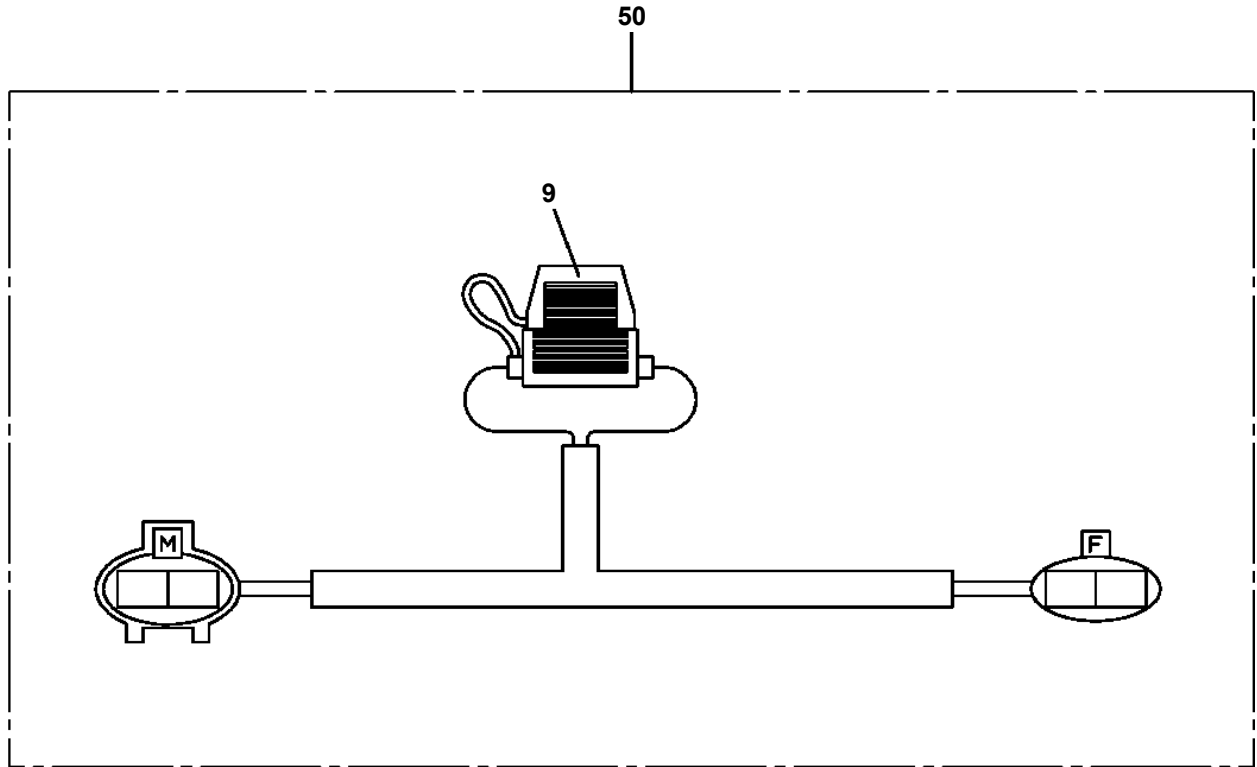


AT-121-3 43007340401 UPPER,LOWER,ISUZU TKG-NKR85AN-EE5AHY
 PH5030341-00 HARNESS (AMC:CNA1)

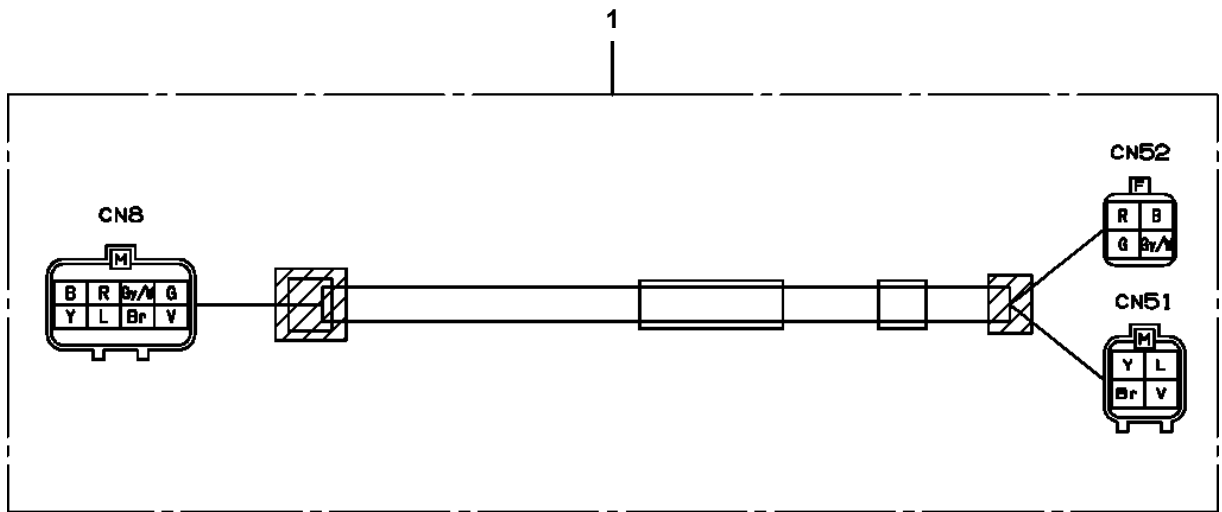
1



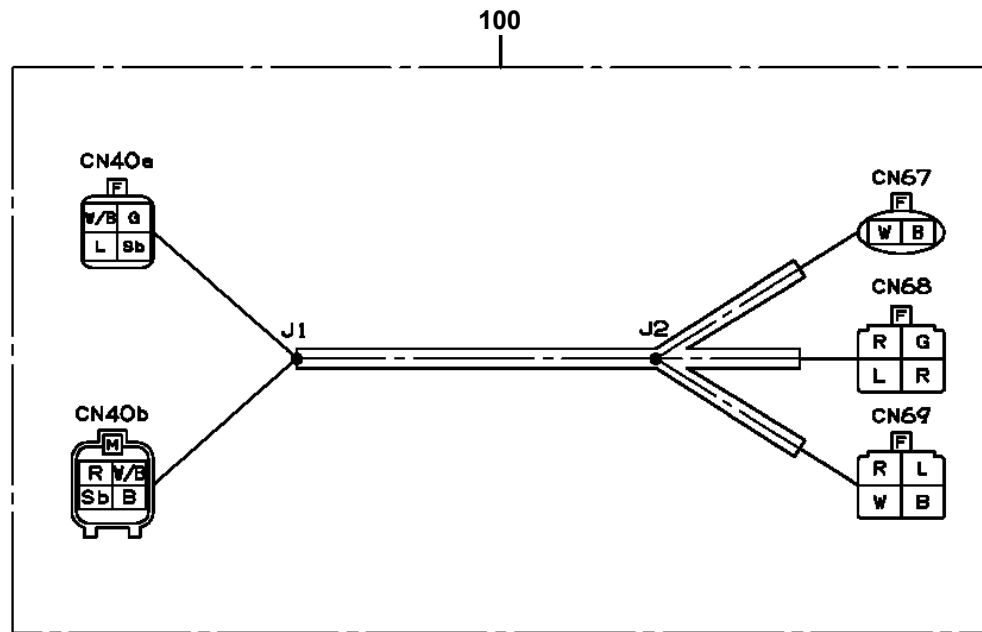
**AT-121-3 43007340401 UPPER,LOWER,ISUZU TKG-NKR85AN-EE5AHY
PH5030474-01 HARNESS**



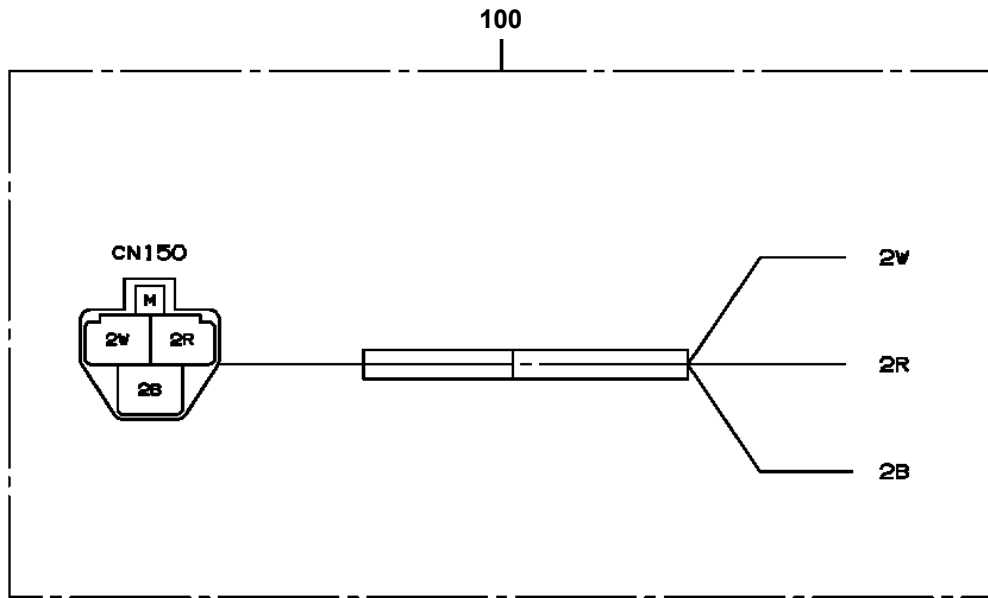
AT-121-3 43007340401 UPPER,LOWER,ISUZU TKG-NKR85AN-EE5AHY
PH5031288-00 HARNESS



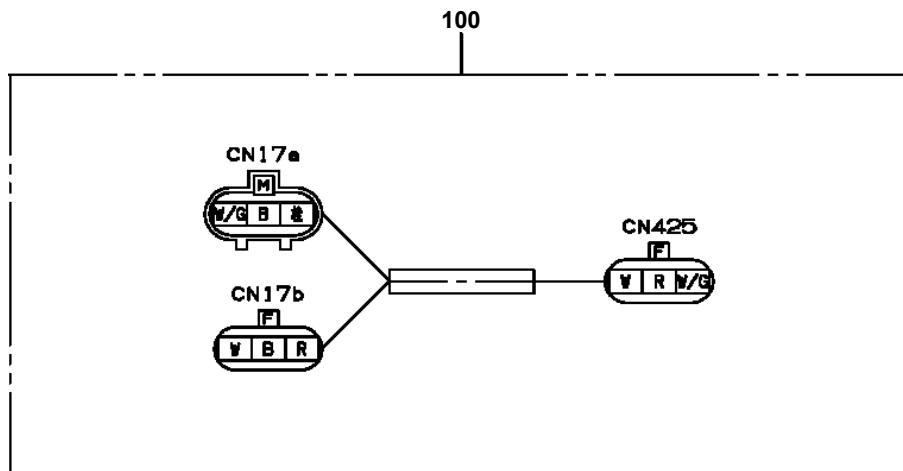
AT-121-3 43007340401 UPPER,LOWER,ISUZU TKG-NKR85AN-EE5AHY
PH5032118-00 HARNESS



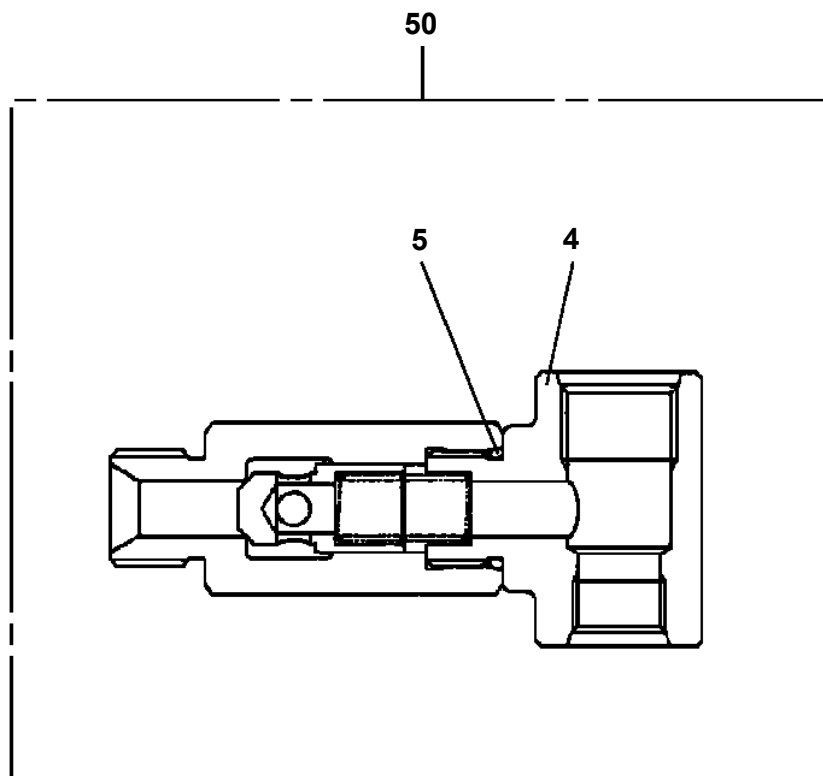
**AT-121-3 43007340401 UPPER,LOWER,ISUZU TKG-NKR85AN-EE5AHY
PH5033686-00 HARNESS**



AT-121-3 43007340401 UPPER,LOWER,ISUZU TKG-NKR85AN-EE5AHY
PH5034384-00 HARNESS

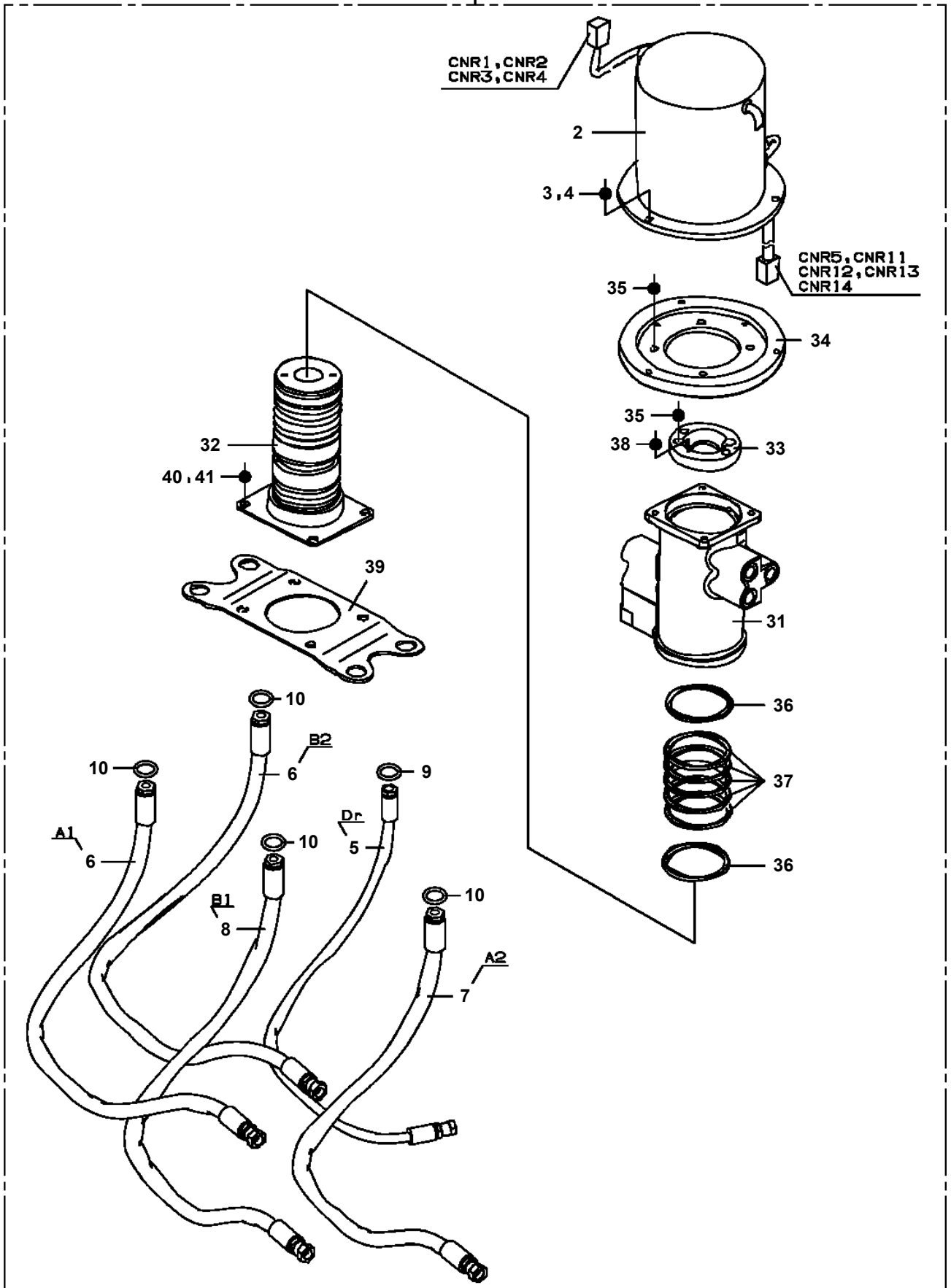


AT-121-3 43007340401 UPPER,LOWER,ISUZU TKG-NKR85AN-EE5AHY
PI1140167-00 VALVE,CHECK (UZUMAKI)



AT-121-3 43007340401 UPPER,LOWER,ISUZU TKG-NKR85AN-EE5AHY
PJ5090039-00 JOINT ASSY,SWIVEL

100



CLICK HERE TO **DOWNLOAD** THE COMPLETE MANUAL

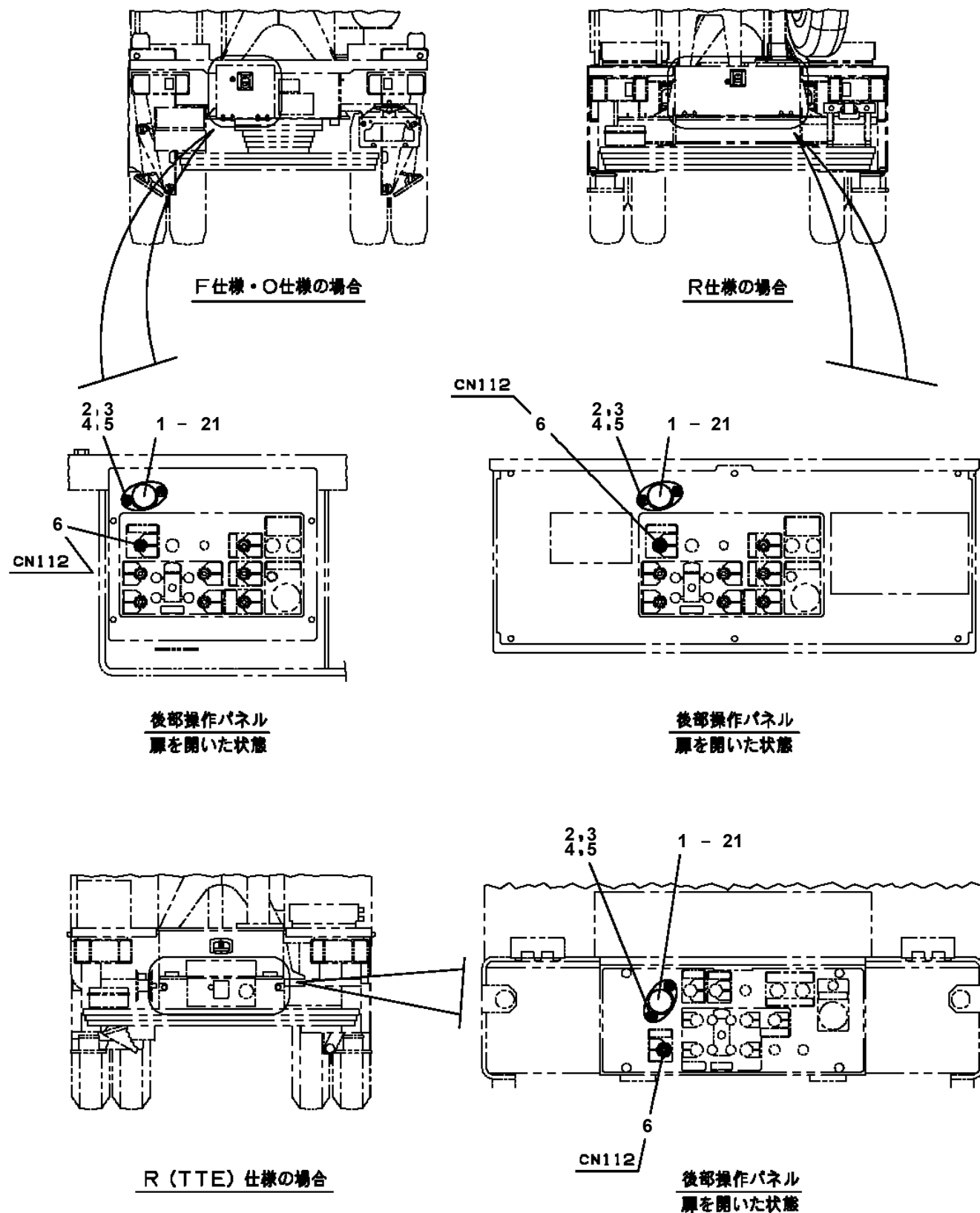
- Thank you very much for reading the preview of the manual.
- You can download the complete manual from: www.heydownloads.com by clicking the link below



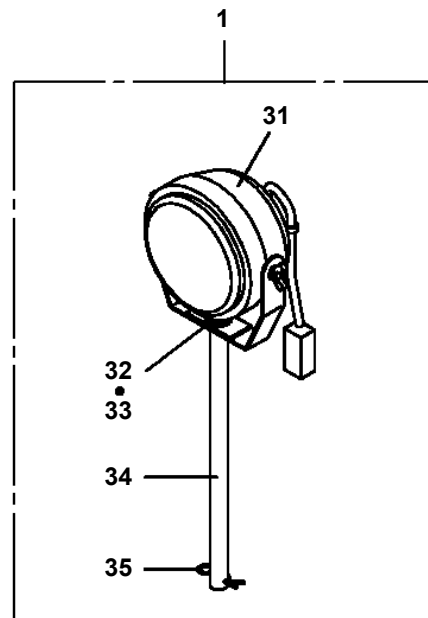
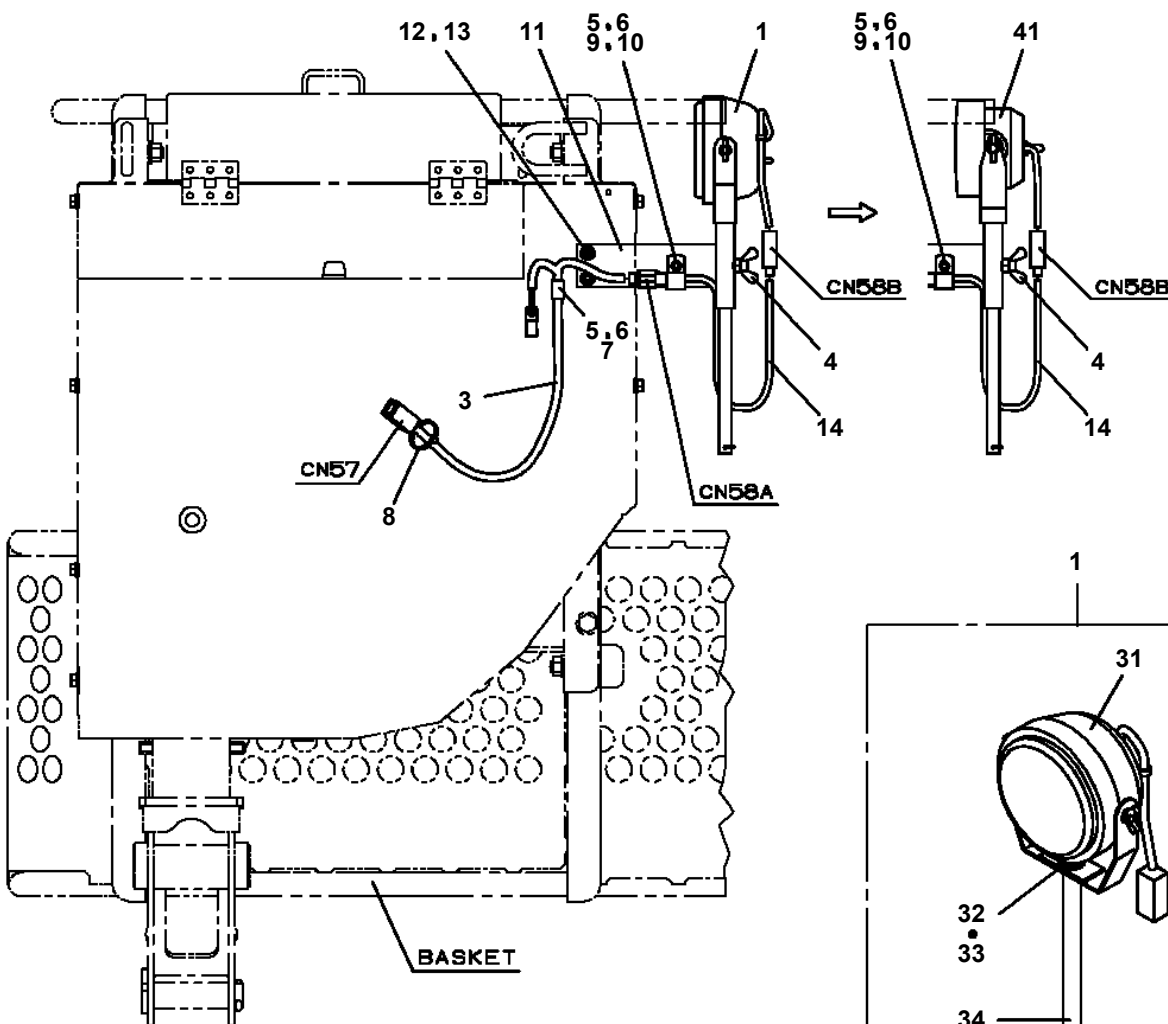
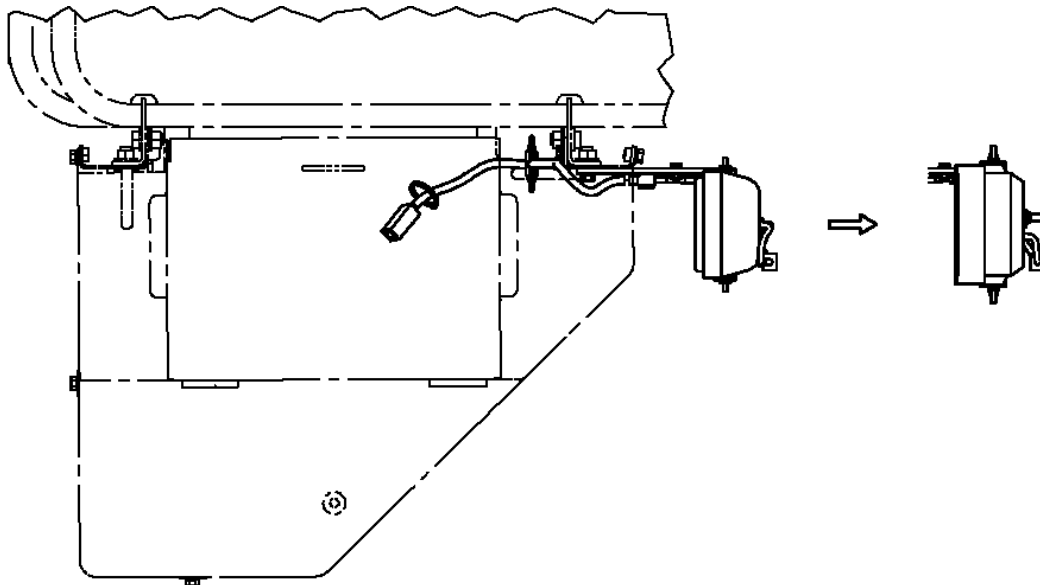
- Please note: If there is no response to CLICKING the link, please download this PDF first and then click on it.

CLICK HERE TO **DOWNLOAD** THE COMPLETE MANUAL

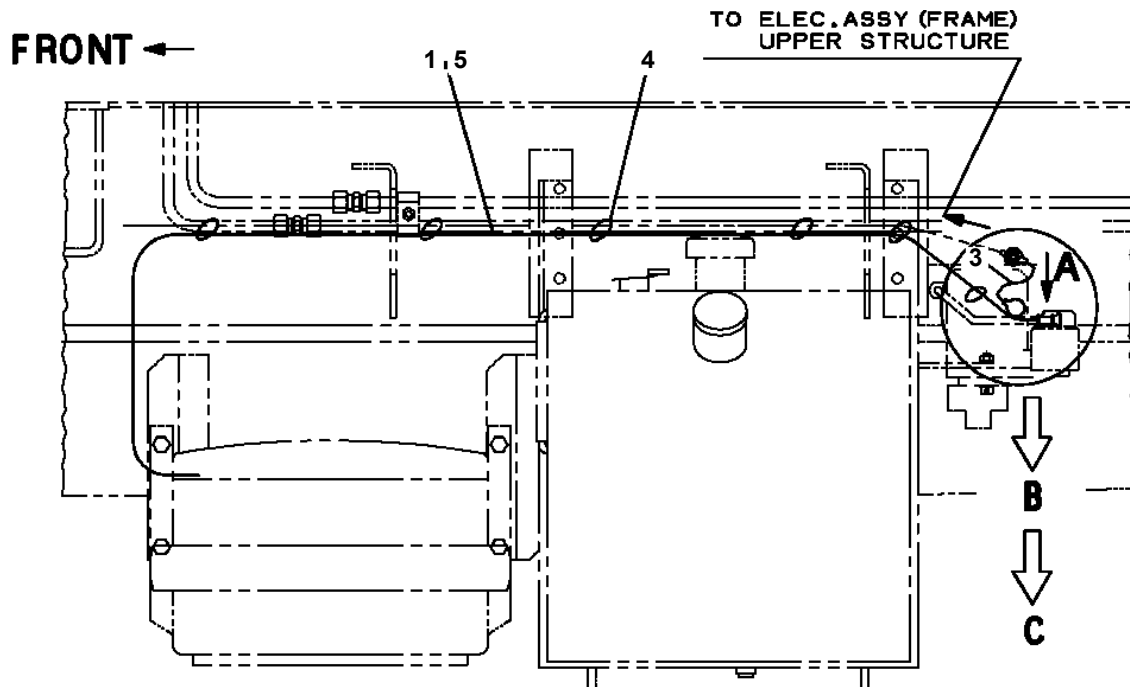
AT-121-3 43007340401 UPPER,LOWER,ISUZU TKG-NKR85AN-EE5AHY
 PL5020050-01 LAMP ASSY (LOWER O/R OPERATION)



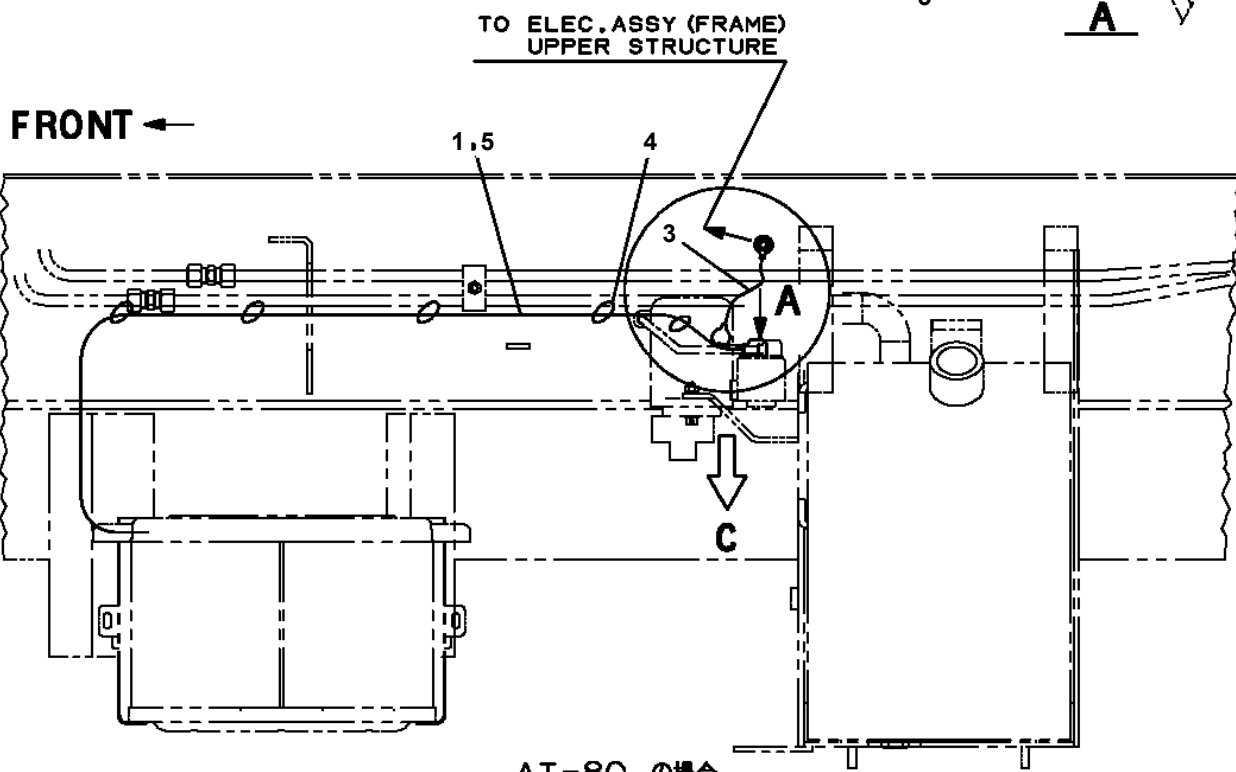
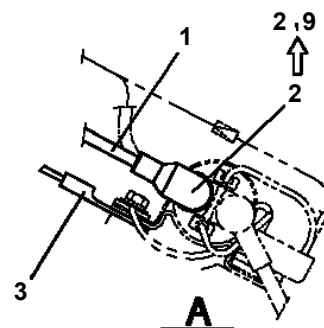
AT-121-3 43007340401 UPPER,LOWER,ISUZU TKG-NKR85AN-EE5AHY
PL5140009-01 LAMP ASSY,WORKING (BUCKET OR BASKET:LED)



**AT-121-3 43007340401 UPPER,LOWER,ISUZU TKG-NKR85AN-EE5AHY
PN1013988-05 ELEC.ASSY (BATTERY & EMERGENCY PUMP)**



AT-100-4, AT-100-5
AT-110-4, AT-110-5
AT-121-2, AT-121-3 の場合



AT-80 の場合

AT-121-3 43007340401 UPPER,LOWER,ISUZU TKG-NKR85AN-EE5AHY

Pos No.	Parts No	Parts Name	Qty	Unit	Technical Data	Serial No (Start)	Serial No (End)	Rema
5	36160017550	HANDLE	1					
6	36160655020	SHAFT	1					
7	36160017560	WASHER,PLAIN	1					
10	36160017590	PLATE (CONTACT)	1					
50	36160370000	REEL,CORD (FOR EARTHING)	1					

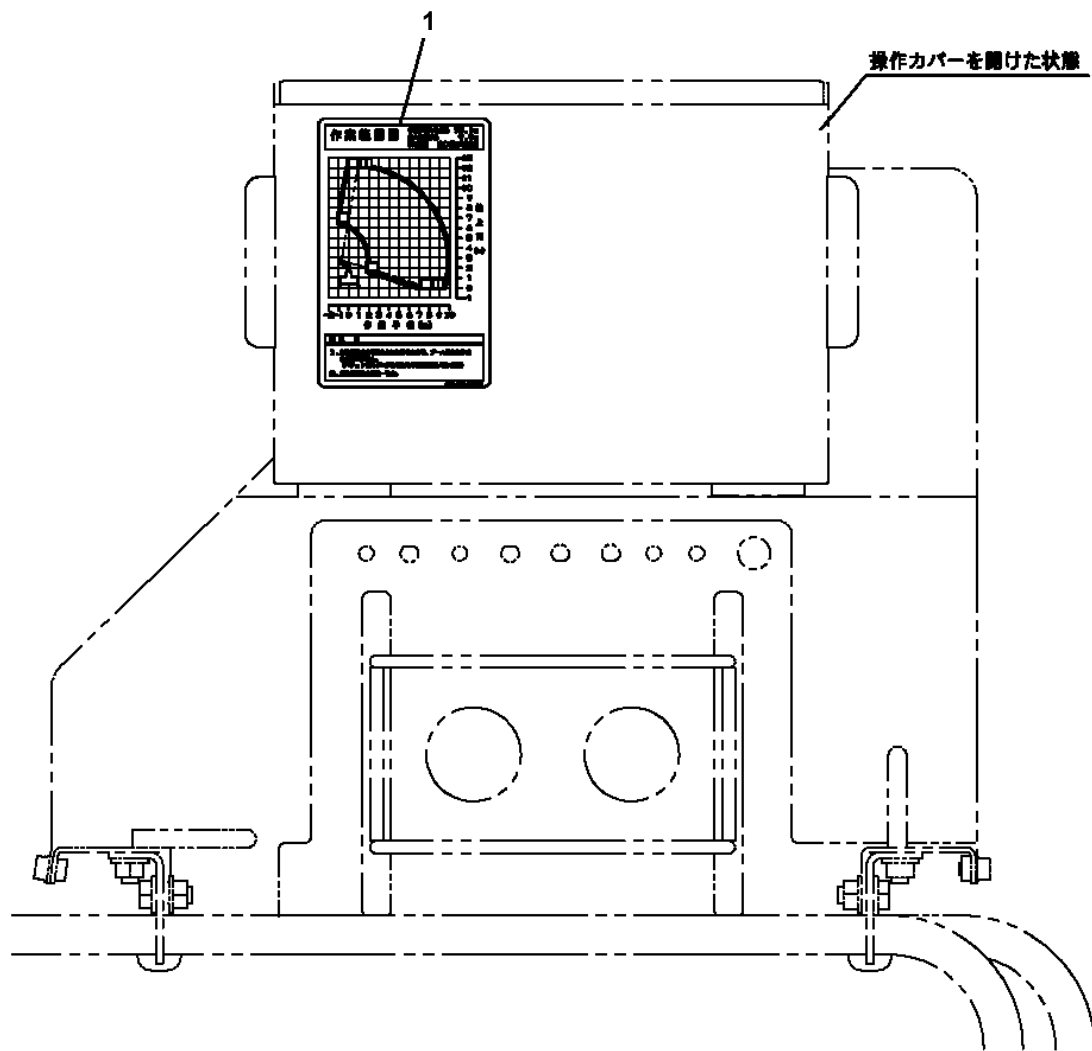
AT-121-3 43007340401 UPPER,LOWER,ISUZU TKG-NKR85AN-EE5AHY

Pos No.	Parts No	Parts Name	Qty	Unit	Technical Data	Serial No (Start)	Se
1	42396161010	PLATE,NAME (AT-121TG)	1				
2	37002202030	PLATE,NAME	1				
3	42394191130	PLATE,CAUTION	1				
	42593161050	PLATE,CAUTION	1			HJ5299	HJ
4	42398131060	PLATE,CAUTION (CHECK BEFORE WORK START)	1				
5	42397982020	PLATE,NAME (EMERGENCY PUMP OPERATION)	1				
6	42397981010	PLATE,CAUTION (ENGINE START OPERATION)	1				
7	42397401050	PLATE,NAME (EMERGENCY STOP OPERATION)	1				
8	42590224020	PLATE,NAME (NO IDLING OPERATION)	1				HJ
	42590224030	PLATE,NAME (NO IDLING OPERATION)	1			HJ2820	
9	42392583050	PLATE,NAME	2				HJ
	42592663170	PLATE,NAME	2			HJ5299	

AT-121-3 43007340401 UPPER,LOWER,ISUZU TKG-NKR85AN-EE5AHY

Pos No.	Parts No	Parts Name	Qty	Unit	Technical Data	Serial No (Start)	S
1	42392350070	PLATE,CAUTION	1				
2	42397401080	PLATE,CAUTION (PREOPERATION CHECK)	1				
3	42394191130	PLATE,CAUTION	1				
4	42477640090	PLATE,NAME (AC100V)	1				
5	42397982020	PLATE,NAME (EMERGENCY PUMP OPERATION)	1				
6	42397401020	PLATE,CAUTION (EMERGENCY SWITCH)	1				
10	42590221030	PLATE,NAME (NO IDLING)	1				
11	42590221040	PLATE,NAME (BOOM OPERATION)	1				
12	42590801010	PLATE,NAME (AMC PREOPERATION CHECK)	1				
13	42590501010	PLATE,NAME (WORKING RANGE)	1				
14	42397401060	PLATE,CAUTION (BUCKET HORIZONTAL ADJUST)	1				
15	42590501020	PLATE,NAME (GREASING)	1				
16	42397044010	PLATE,CAUTION	1				
18	42394441050	PLATE,CAUTION	1				
19	37002220430	PLATE,CAUTION	2				
20	37002226560	PLATE,NAME	1				
21	37002212700	PLATE,NAME	1				
22	12117140000	PLATE,NAME (GREASE)	19				

AT-121-3 43007340401 UPPER,LOWER,ISUZU TKG-NKR85AN-EE5AHY
PN5011244-00 NAME PLATE ASSY (BASKET:WORKING RANGE CHART)

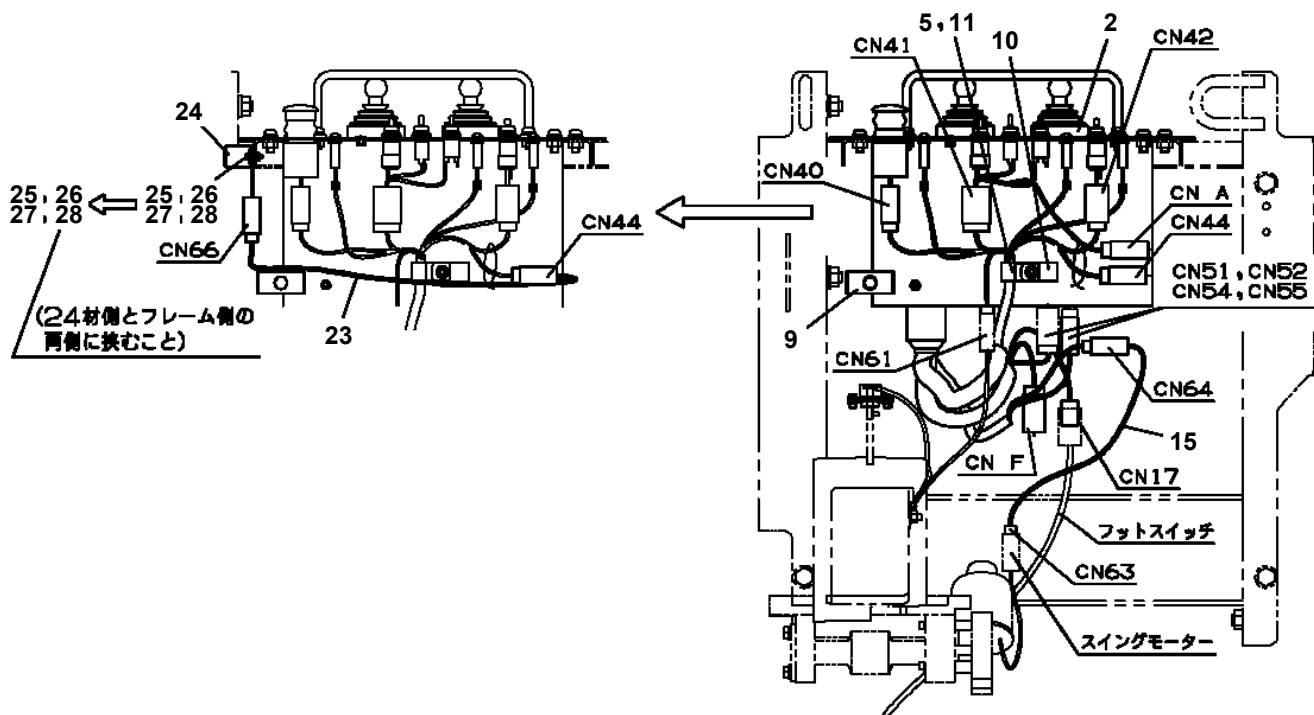


バスケット操作部

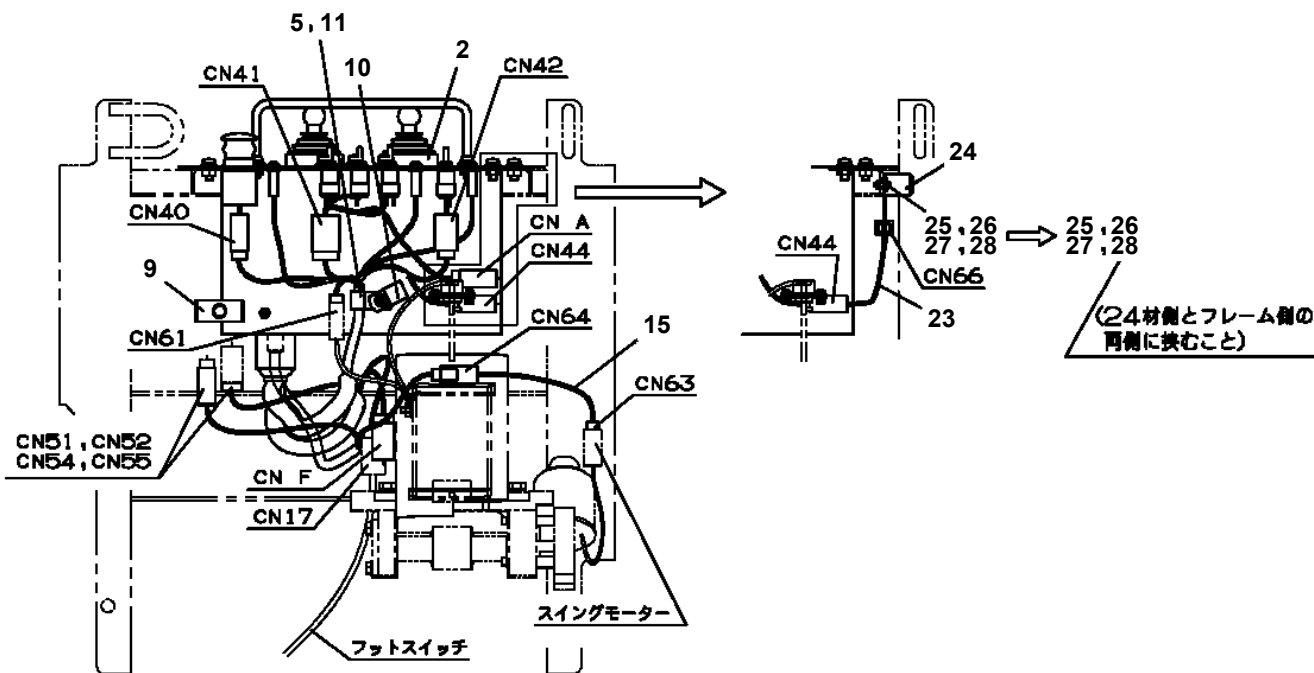
AT-121-3 43007340401 UPPER,LOWER,ISUZU TKG-NKR85AN-EE5AHY

Pos No.	Parts No	Parts Name	Qty	Unit	Technical Data	Serial No (Start)	Serial No (End)
1	(*****)	PLATE ASSY,NAME (VEHICLE HEIGHT)	1				

AT-121-3 43007340401 UPPER,LOWER,ISUZU TKG-NKR85AN-EE5AHY
 PO5050035-03 OPE.ASSY,BUCKET

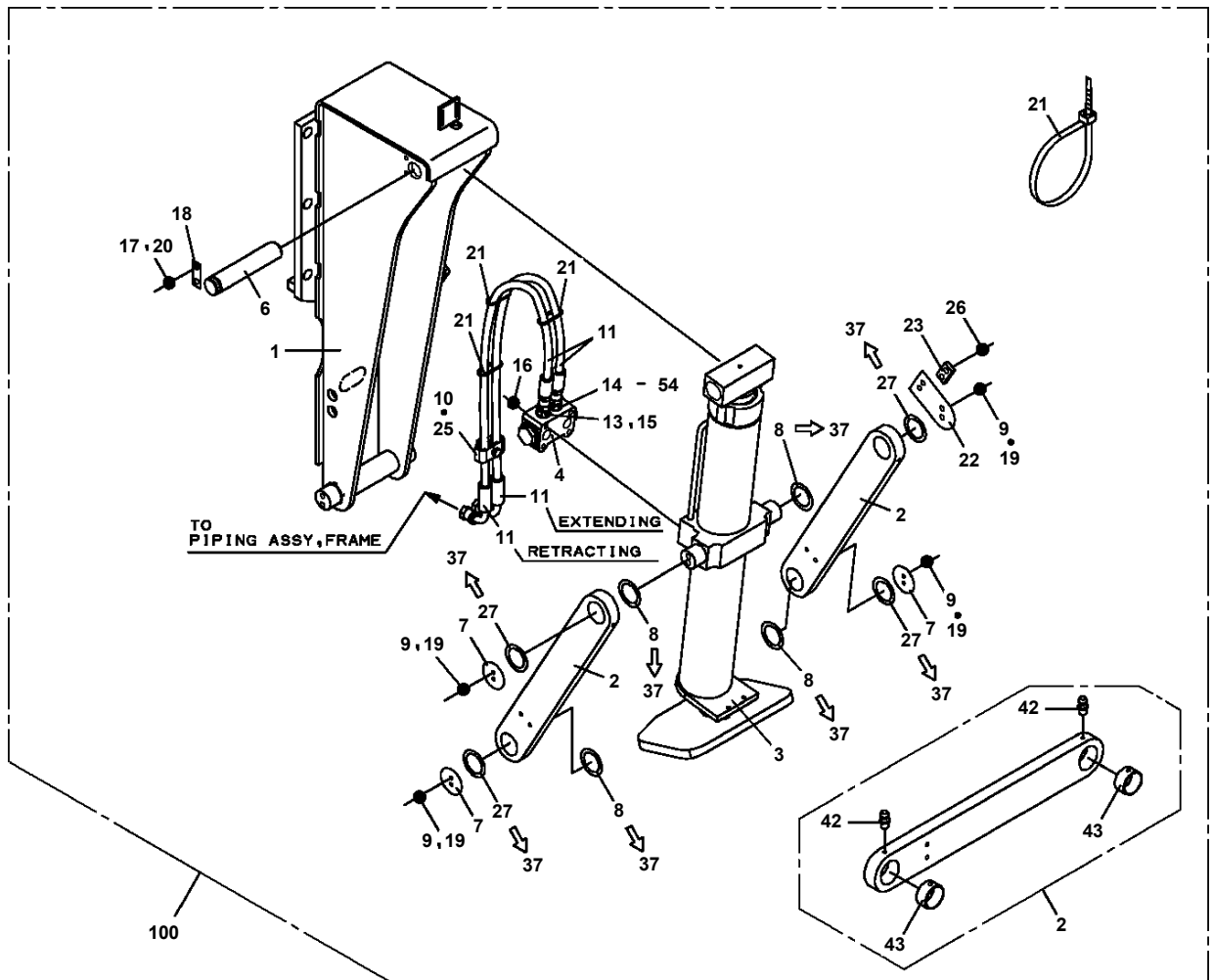


VIEW A
 AT-121TG(R)

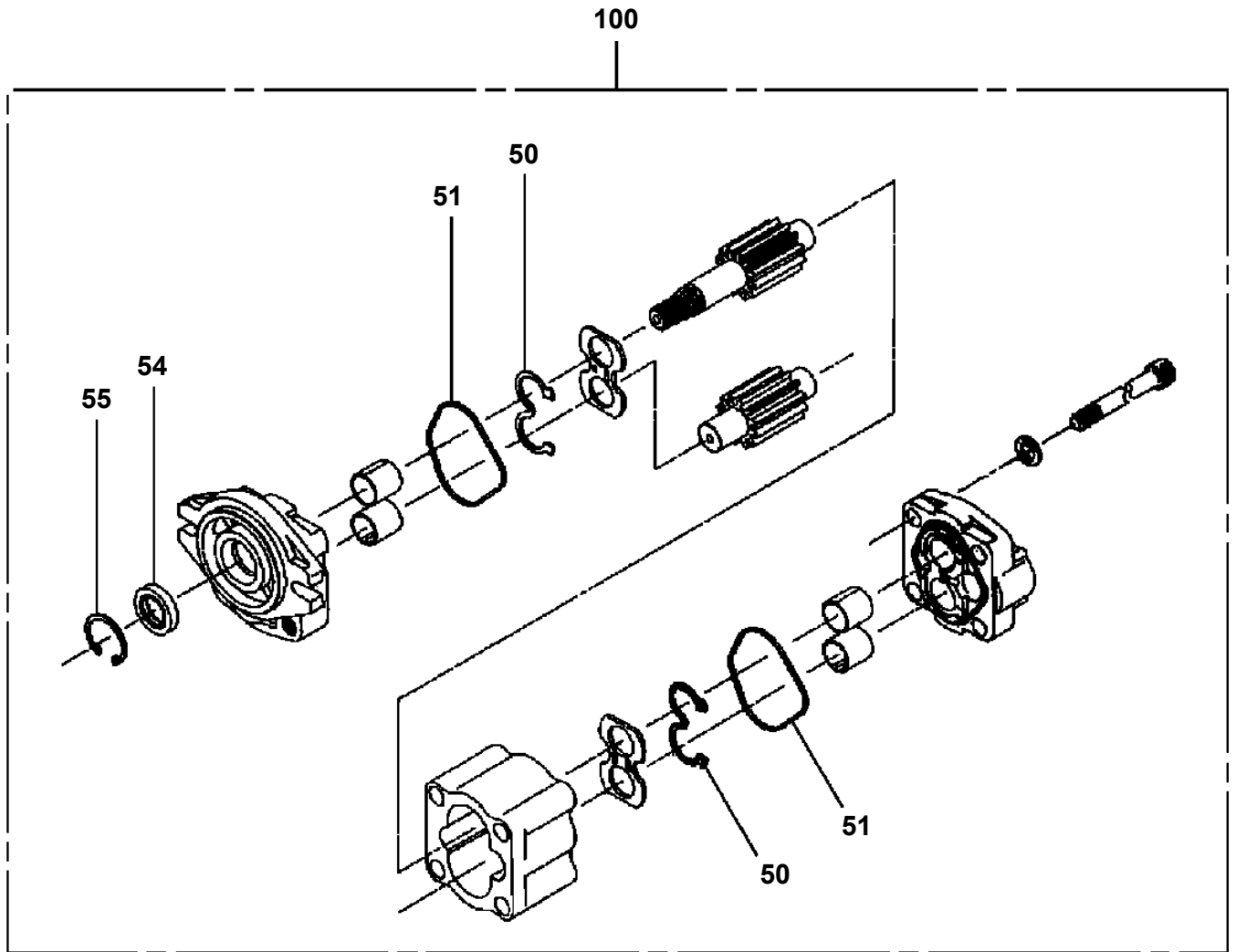


VIEW A
 AT-121TG(O)(F)

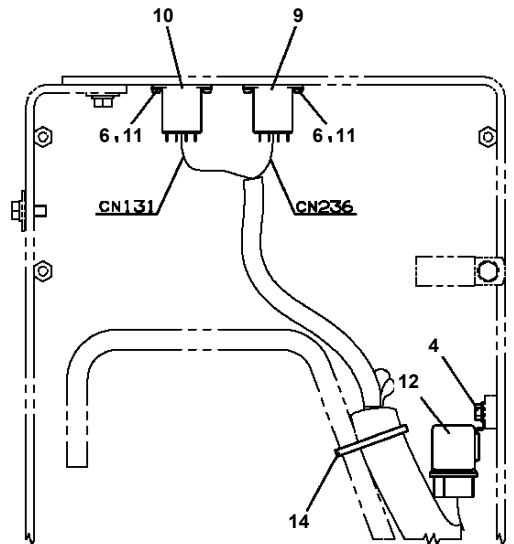
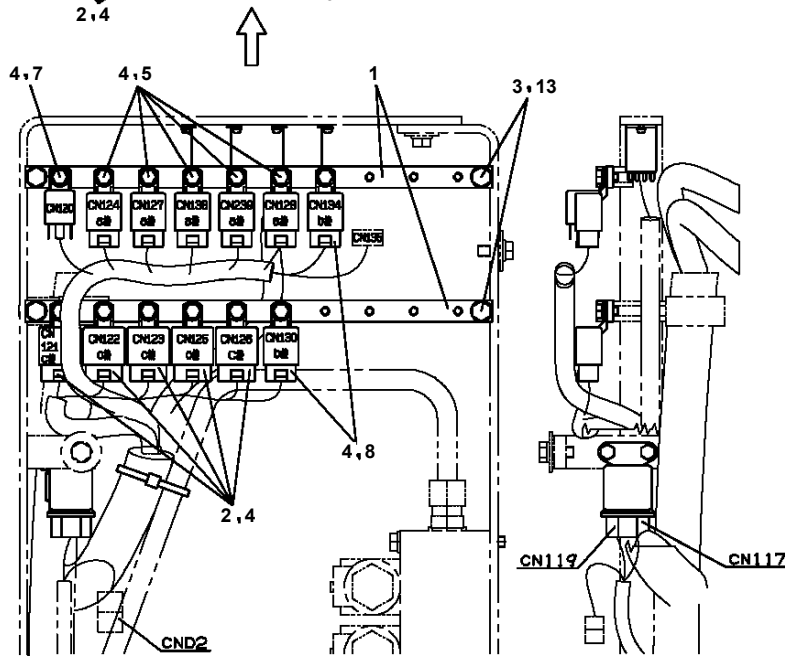
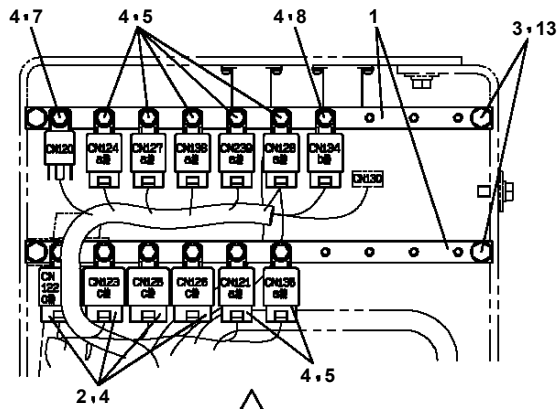
AT-121-3 43007340401 UPPER,LOWER,ISUZU TKG-NKR85AN-EE5AHY
PO5270182-00 OUTRIGGER ASSY (LEFT)



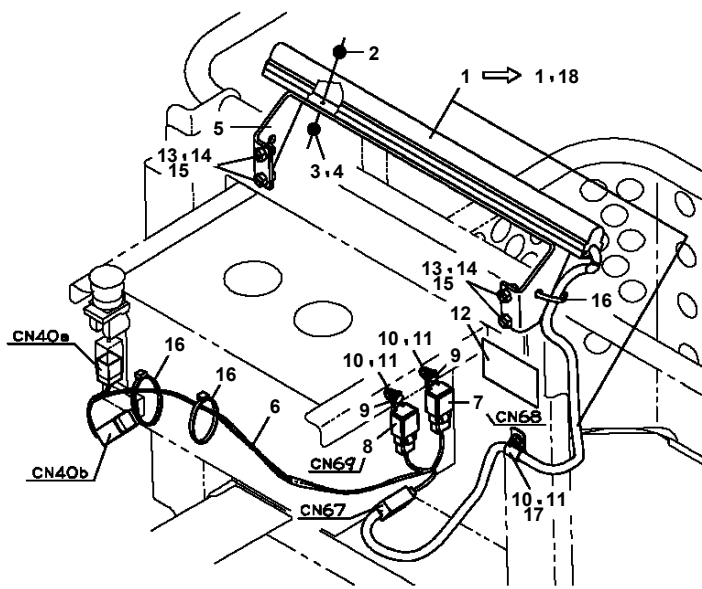
AT-121-3 43007340401 UPPER,LOWER,ISUZU TKG-NKR85AN-EE5AHY
PP5500003-00 PUMP,OIL (32CC:L)



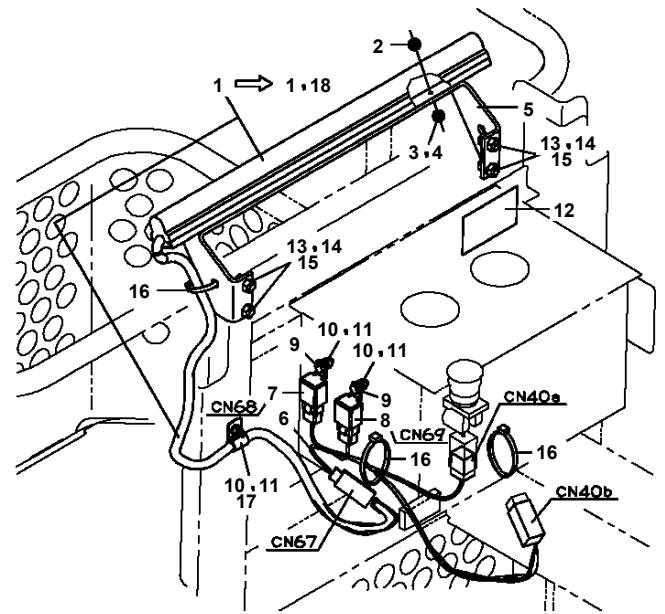
**AT-121-3 43007340401 UPPER,LOWER,ISUZU TKG-NKR85AN-EE5AHY
PR5090135-00 RELAY ASSY**



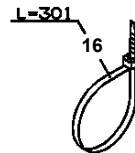
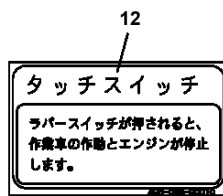
**AT-121-3 43007340401 UPPER,LOWER,ISUZU TKG-NKR85AN-EE5AHY
PS5010004-01 SAFETY ASSY (BASKET TOUCH SWITCH/TAPE SWITCH TYPE)**



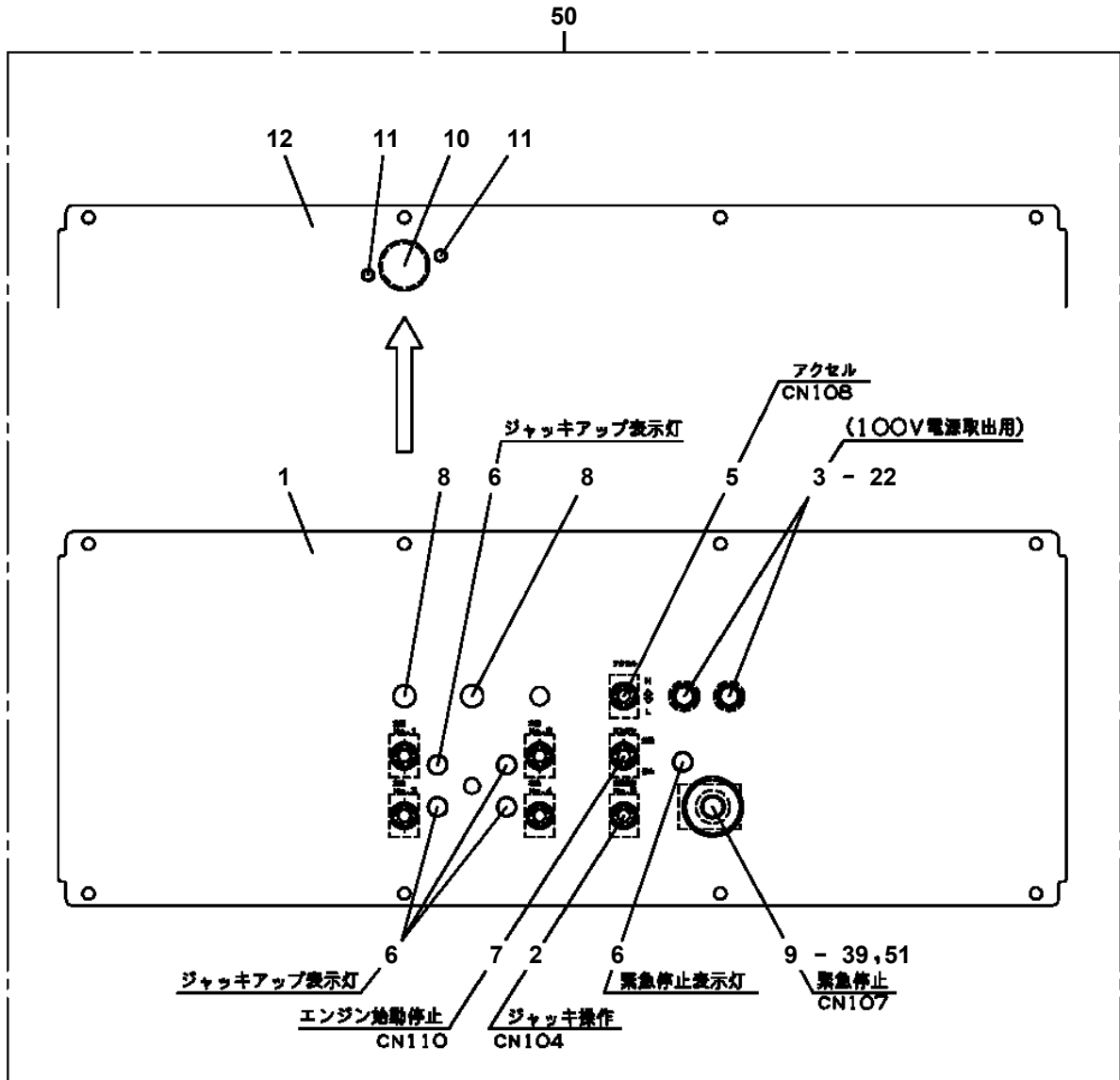
AT-121 (R)



AT-121 (O,F)

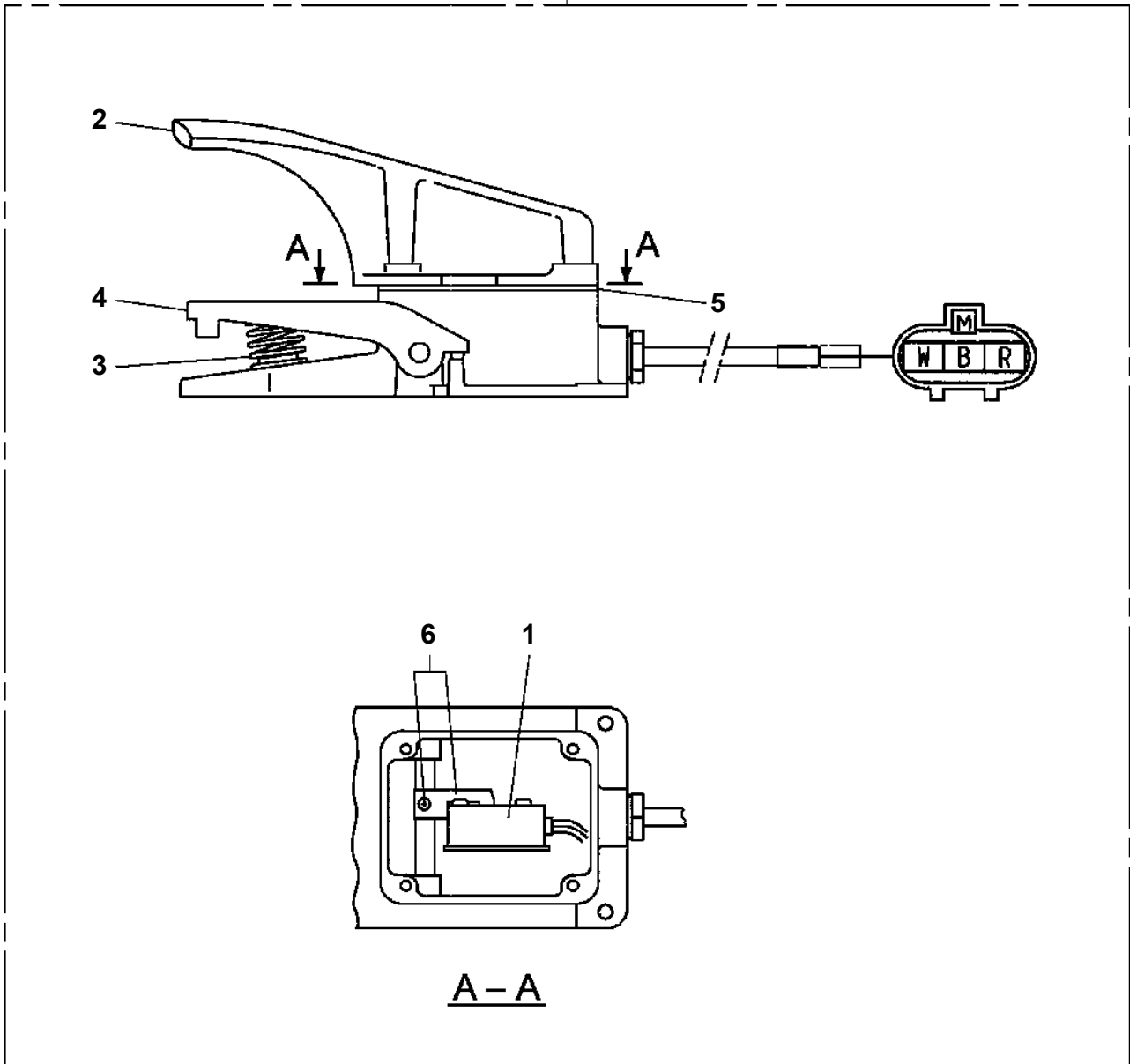


AT-121-3 43007340401 UPPER,LOWER,ISUZU TKG-NKR85AN-EE5AHY
 PS5530115-02 SWITCH ASSY



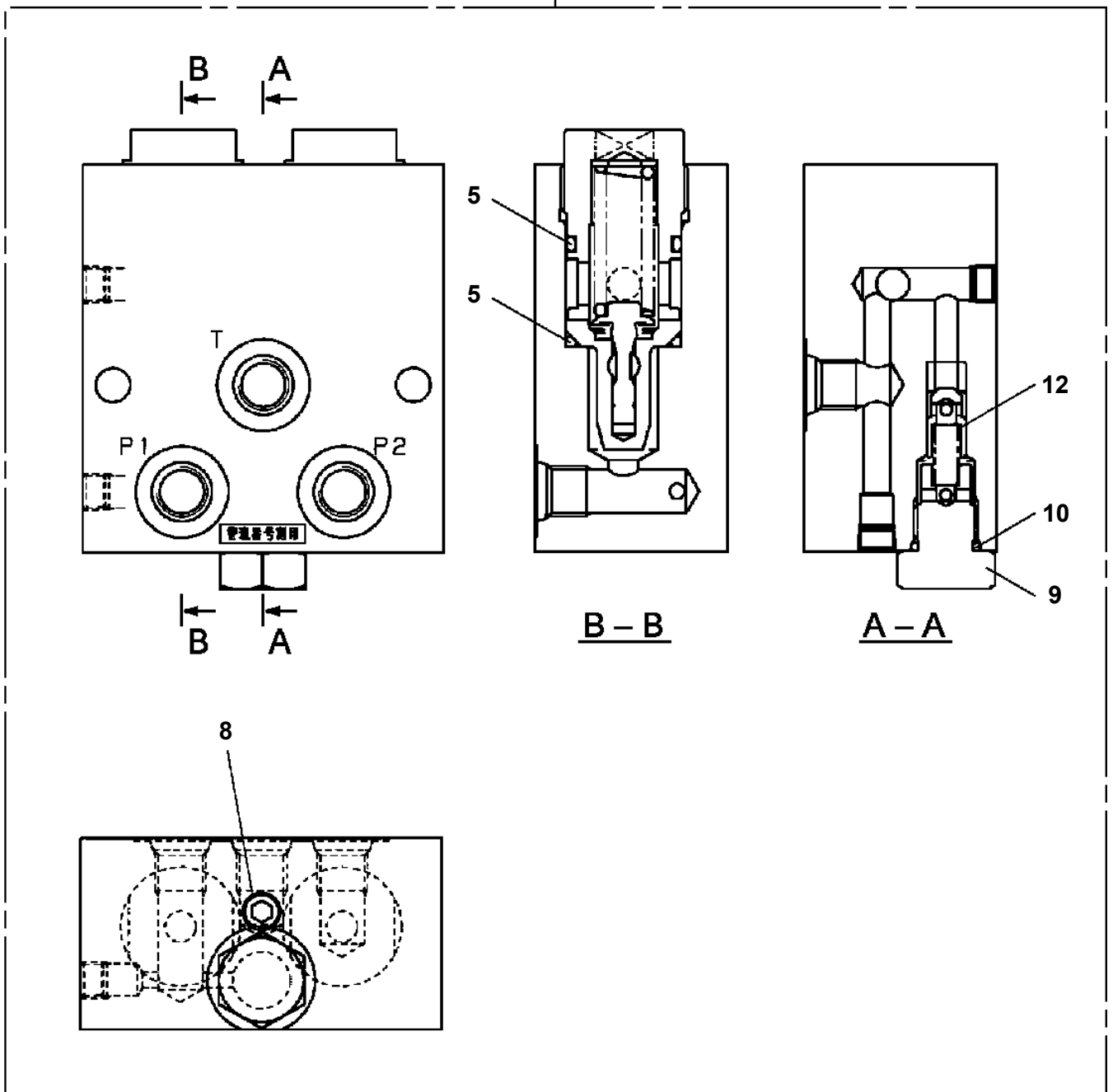
AT-121-3 43007340401 UPPER,LOWER,ISUZU TKG-NKR85AN-EE5AHY
PS5530450-00 SWITCH ASSY

100



AT-121-3 43007340401 UPPER,LOWER,ISUZU TKG-NKR85AN-EE5AHY
PV5140017-00 VALVE ASSY,RELIEF

100



AT-121-3 43007340401 UPPER,LOWER,ISUZU TKG-NKR85AN-EE5AHY

Pos No.	Parts No	Parts Name	Qty	Unit	Technical Data	Serial No (Start)	Serial No (End)
1	(*****)	ACCESSORIES	1				
2	(*****)	ACCESSORIES ASSY (WITHOUT BLOCK,RUBBER)	1				

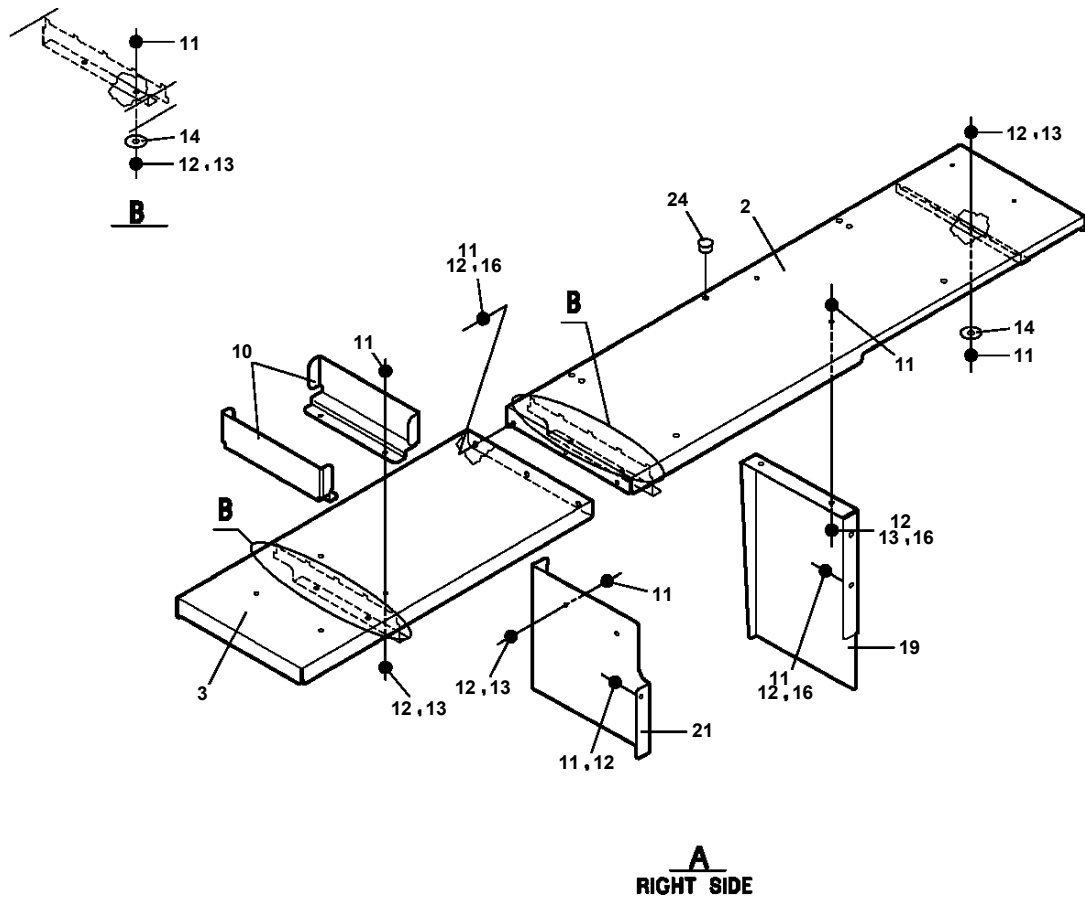
AT-121-3 43007340401 UPPER,LOWER,ISUZU TKG-NKR85AN-EE5AHY

Pos No.	Parts No	Parts Name	Qty	Unit	Technical Data	Serial No (Start)	Serial No (End)
1	42460012530	WEDGE (STOPPER FOR TIRE/WAZUMI)	1				

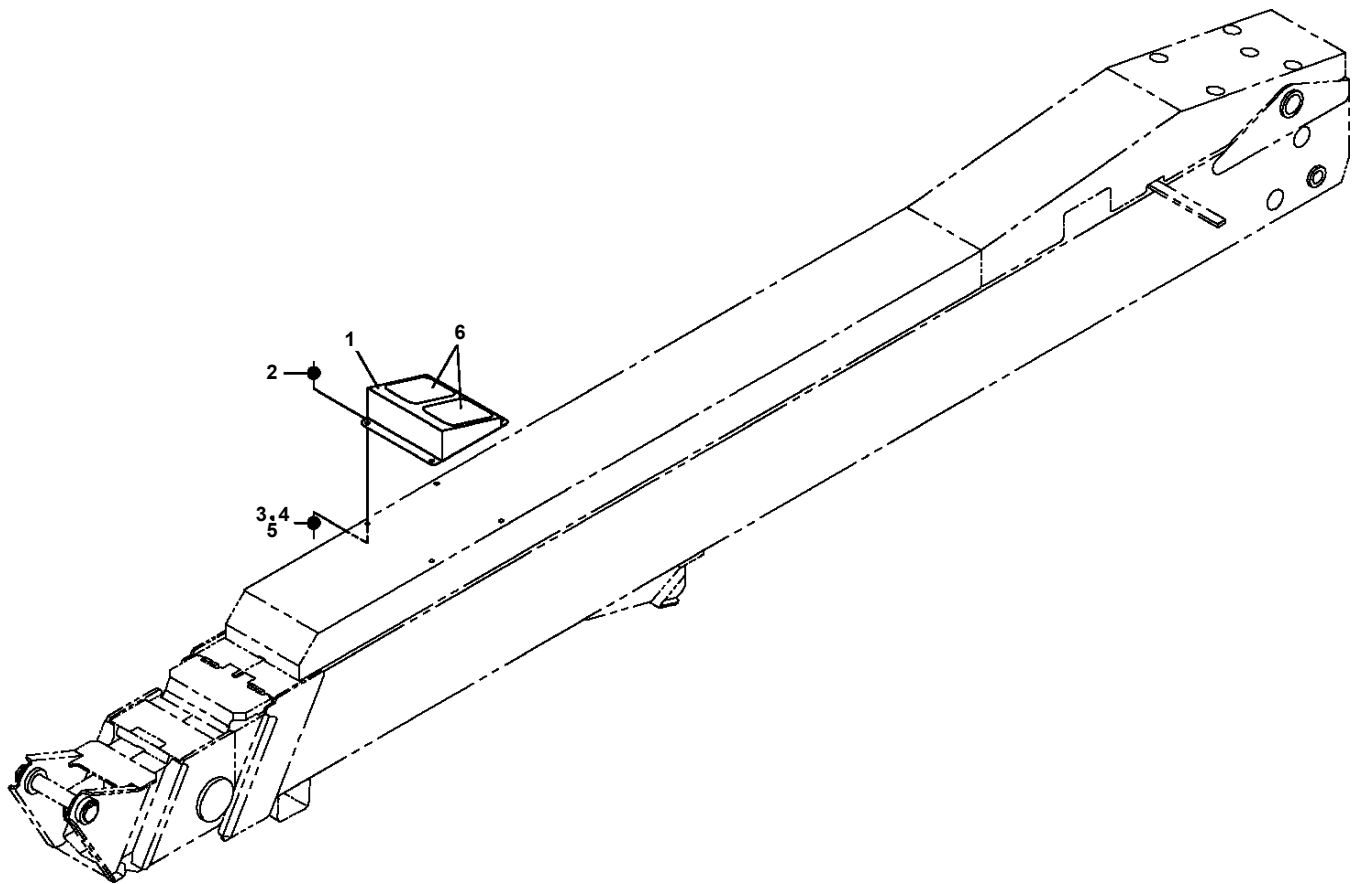
AT-121-3 43007340401 UPPER,LOWER,ISUZU TKG-NKR85AN-EE5AHY

Pos No.	Parts No	Parts Name	Qty	Unit	Technical Data	Serial No (Start)	Serial No (End)	Remarks
1	(*****)	MOUNT ASSY,DECK ON CAB	1					

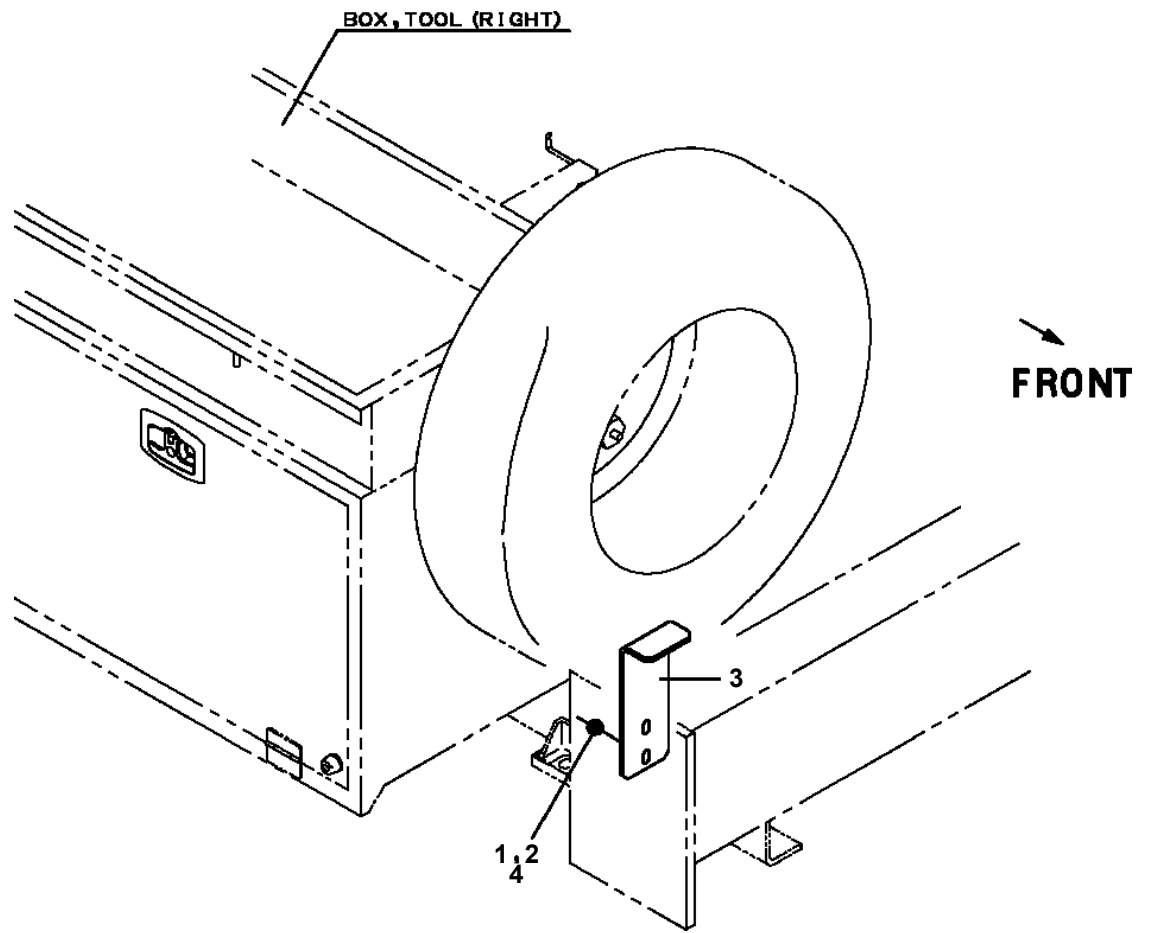
AT-121-3 43007340401 UPPER,LOWER,ISUZU TKG-NKR85AN-EE5AHY
PX5290027-00 MOUNT ASSY,DECK ON CAB



AT-121-3 43007340401 UPPER,LOWER,ISUZU TKG-NKR85AN-EE5AHY
PX5670034-00 MOUNT ASSY,STEP



AT-121-3 43007340401 UPPER,LOWER,ISUZU TKG-NKR85AN-EE5AHY
PX5770011-00 MOUNT ASSY,TIRE



AT-121-3 43007340401 UPPER,LOWER,ISUZU TKG-NKR85AN-EE5AHY

Pos No.	Parts No	Parts Name	Qty	Unit	Technical Data	Serial No (Start)	S
1	42460021000	BELT,SAFETY	1				H
	42461162000	FALL ARREST SYSTEM (TB-LSA-550/FUJII-DENKO)	1			HJ5496	
2	(*****)	WOOD BLOCK (W=350,H=80)	4				
3	42460012530	WEDGE (STOPPER FOR TIRE/WAZUMI)	4				H
	42460012540	WEDGE (STOPPER FOR TIRE/NAKAMURA KIKI)	4				H
	42460012550	WEDGE (STOPPER FOR TIRE/JUSTIN)	4			HJ3204	
4	(*****)	PUMP,GREASE (400CC)	1				
5	42473931000	TOOLS	1				
6	42503380000	CABLE (3 POLE)	1				
8	42515540000	COVER ASSY (FRP BUCKET)	1			HJ3816	

AT-121-3 43007340401 UPPER,LOWER,ISUZU TKG-NKR85AN-EE5AHY

Pos No.	Parts No	Parts Name	Qty	Unit	Technical Data	Serial No
1	(*****)	ALARM ASSY (EXHAUST GAS)	1			
	(*****)	ALARM ASSY (EXHAUST GAS PURIFIER DEVICE)	1			HJ2820
2	(*****)	MOUNT ASSY (LOADING/150KG)	1			
3	(*****)	MOUNT ASSY,DECK ON (CAB ENTIRE SURFACE PROTECTION)	1			
4	(*****)	MOUNT ASSY,DECK ON CAB (FRONT GLASS PROTECTION)	1			
5	(*****)	MOUNT ASSY,TOOL BOX	1			
7	(*****)	VIEW SYSTEM (BACK MONITOR)	1			
8	(*****)	EARTH ASSY	1			HJ3498

CLICK HERE TO **DOWNLOAD** THE COMPLETE MANUAL

- Thank you very much for reading the preview of the manual.
- You can download the complete manual from: www.heydownloads.com by clicking the link below



- Please note: If there is no response to CLICKING the link, please download this PDF first and then click on it.

CLICK HERE TO **DOWNLOAD** THE COMPLETE MANUAL