

AT-100-5 42063541906 UPPER,LOWER,ISUZU TPG-NKR85AN-EE5AHY-JM

PB0000275-02 UPPER STRUCTURE SYSTEM

PB0000500-02 LOWER STRUCTURE SYSTEM

ASSEMBLY

CLICK HERE TO **DOWNLOAD** THE COMPLETE MANUAL

- Thank you very much for reading the preview of the manual.
- You can download the complete manual from: www.heydownloads.com by clicking the link below



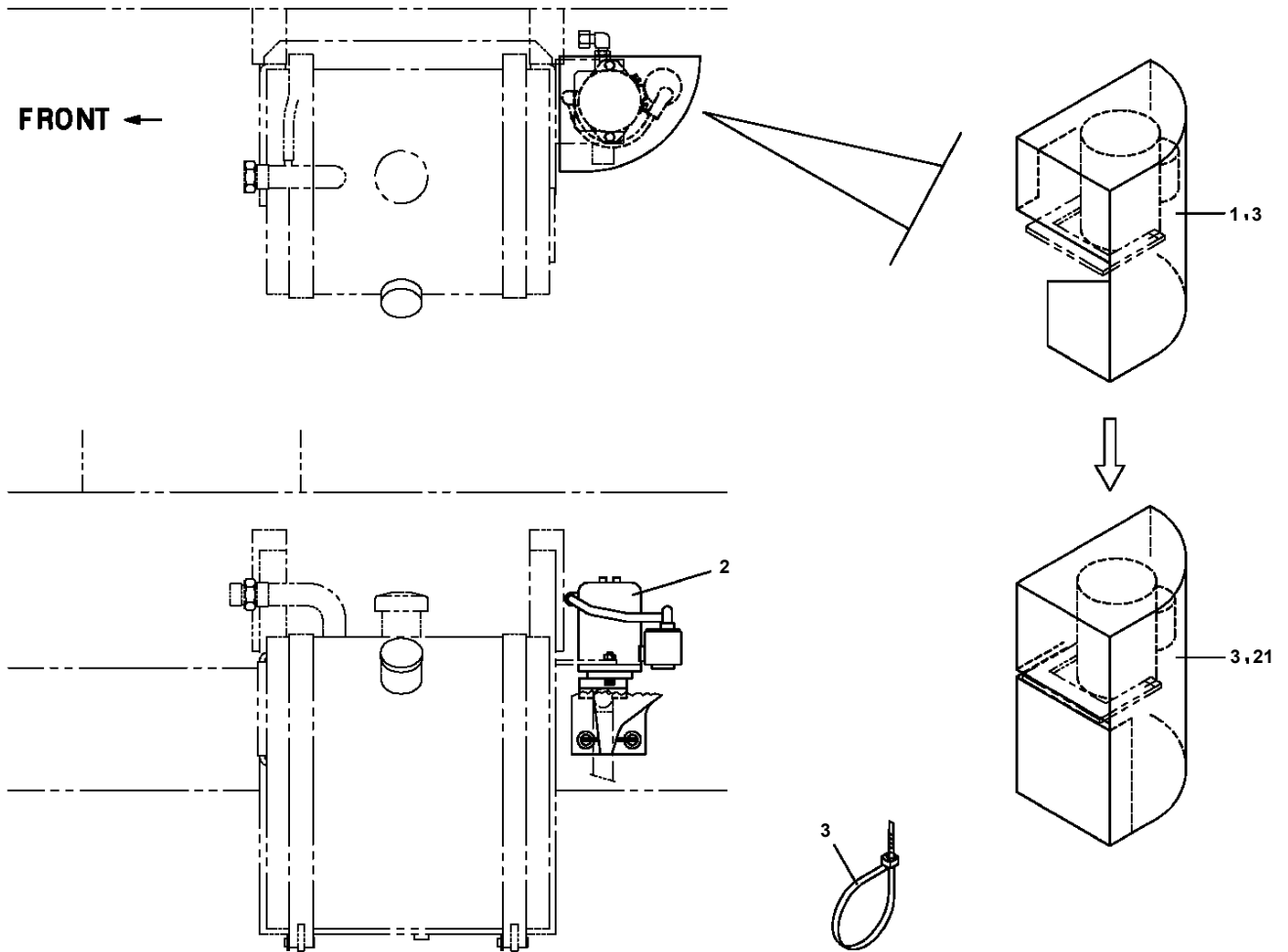
- Please note: If there is no response to CLICKING the link, please download this PDF first and then click on it.

CLICK HERE TO **DOWNLOAD** THE COMPLETE MANUAL

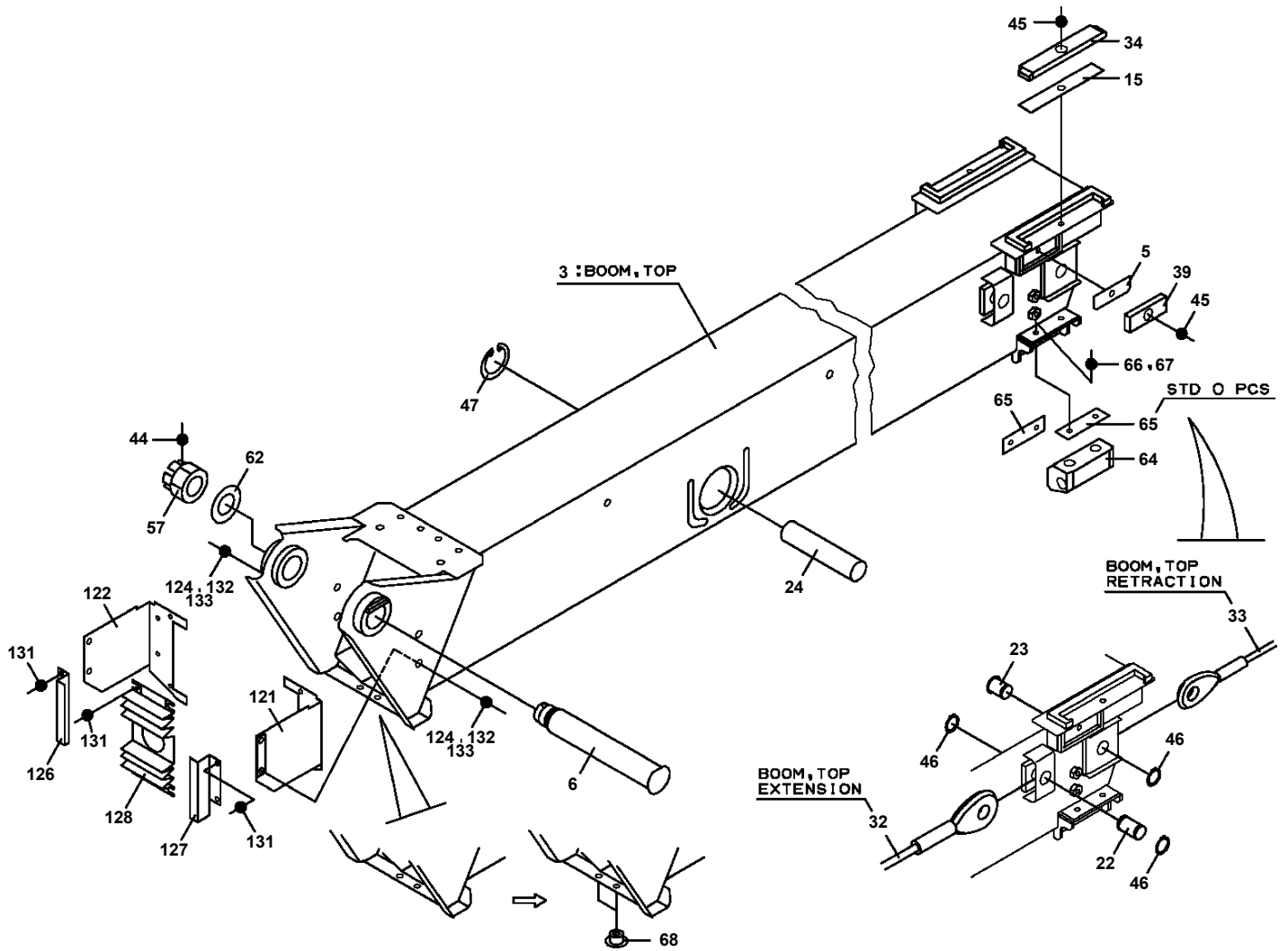
AT-100-5 42063541906 UPPER,LOWER,ISUZU TPG-NKR85AN-EE5AHY-JM

PP5340025-00 POWER SUPPLY ASSY,ELECTRICITY (HYBRID/3-POLES OUTLET)
PP5340034-00 POWER SUPPLY ASSY,ELECTRICITY (LOWER,3POLES OUTLET)
PP5340036-00 POWER SUPPLY ASSY,ELECTRICITY (LOWER,3POLES OUTLET)
PP5420012-02 PUMP ASSY,OIL
PP5450004-00 PUMP,GREASE (400CC)
PP6010236-01 PIPING ASSY
PP6010255-01 PIPING ASSY
PP6060007-01 PIPING ASSY,BOOM
PP6130040-00 PIPING ASSY,FRAME
PP6210016-03 PIPING ASSY,MOUNTING
PP6330005-03 PIPING ASSY,SWING FRAME
PR5090202-00 RELAY ASSY
PR5090237-00 RELAY ASSY
PR5100116-00 RELAY BOX ASSY
PR5100151-00 RELAY BOX ASSY
PR5100167-00 RELAY BOX ASSY
PS5010018-00 SAFETY ASSY (BUCKET TOUCH SWITCH/WIRE TYPE)
PS5420229-00 SUPPORT ASSY (2-DECK TOOL BOX: FIXED LADDER REST)
PS5420230-00 SUPPORT ASSY (1-DECK TOOL BOX: FIXED LADDER REST)
PS5420231-00 SUPPORT ASSY (1&2-DECK TOOL BOX: LOWER SHELF,ONE SIDE)
PS5420232-00 SUPPORT ASSY (HOOK FOR CARRIER ROPE)
PS5420266-00 SUPPORT ASSY (1-DECKER:ROTARY RADDER REST)
PS5420267-00 SUPPORT ASSY (2-DECKER:ROTARY RADDER REST)
PS5420387-00 SUPPORT ASSY
PS5420481-00 SUPPORT ASSY
PS5420505-00 SUPPORT ASSY
PS5420508-00 SUPPORT ASSY (DANKITI BUFFER,25MM)
PS5420509-00 SUPPORT ASSY (DANKITI BUFFER,30MM)
PS5420534-00 SUPPORT ASSY
PS5510021-00 SWING FRAME ASSY
PS5530090-01 SWITCH ASSY (WITH HARNESS,3 SW)
PS5530132-00 SWITCH ASSY (WITH HARNESS,3 SW)
PS5530195-00 SWITCH ASSY
PS5530332-00 SWITCH ASSY (WITH HARNESS,5 SW)
PS5530351-00 SWITCH ASSY (WITH HARNESS,4 SW)
PS5530361-00 SWITCH ASSY
PS5530393-00 SWITCH ASSY
PS5530411-00 SWITCH ASSY
PS5530412-00 SWITCH ASSY
PS5530418-00 SWITCH ASSY (SAFETY ROPE INTERLOCK/ FORSINGLE RIDING)
PS5530419-00 SWITCH ASSY
PS5530420-00 SWITCH ASSY (SAFETY ROPE INTERLOCK/ FORDOUBLE RIDING)
PS5530421-00 SWITCH ASSY
PS5530422-00 SWITCH ASSY
PS5530450-00 SWITCH ASSY
PS5550005-00 SUPPORT (7 DEGREES ANGLE METER MOUNTING)
PT5090008-00 TANK ASSY,OIL
PV1300020-00 CABLE (3 POLE)
PV5010007-00 VALVE ASSY (JACK CONTROL)
PV5070007-00 VALVE ASSY,COUNTERBALANCE
PV5140017-00 VALVE ASSY,RELIEF
PV5150018-01 VALVE ASSY,REMOTE CONTROL
PV5170018-00 VALVE ASSY,SELECTOR
PV5450154-00 VIEW SYSTEM (REARVIEW SYSTEM/WITHOUT MONITOR)
PW1000118-00 ACCESSORIES & TOOLS
PW1010309-00 ACCESSORIES (MAT)
PW1010407-00 ACCESSORIES (MAT)
PW1010433-00 ACCESSORIES
PW1030049-01 TOOLS
PW1050018-01 WEDGE (STOPPER FOR TIRE/JUSTIN)
PW5110005-00 WEDGE (YELLOW)
PX1270056-00 WOOD BLOCK (OPTION)
PX1350803-00 BOX,TOOL (NEO KANSAI/BUCKET)
PX1351247-00 BOX,TOOL (BUCKET)

**AT-100-5 42063541906 UPPER,LOWER,ISUZU TPG-NKR85AN-EE5AHY-JM
PB1110058-01 MOUNT,PUMP (EMERGENCY)**



**AT-100-5 42063541906 UPPER,LOWER,ISUZU TPG-NKR85AN-EE5AHY-JM
PB5190049-03 BOOM ASSY**



AT-100-5 42063541906 UPPER,LOWER,ISUZU TPG-NKR85AN-EE5AHY-JM

Pos No.	Parts No	Parts Name	Qty	Unit	Technical Data	Serial No (Start)	Serial No (End)	Remarks
1	42654872300	SUPPORT	1					
2	42654872101	COVER ASSY	1					
3	82464107812	HINGE	2					
4	90101204008	BOLT	8		M4X8			
5	90201200400	NUT	4		M4			
6	90302040401	WASHER,SPRING	8		4			
7	90303070401	WASHER,PLAIN	4		4			
9	42875640010	PLATE	4		T=0.5			
31	42654872201	COVER	1					
32	82460025402	CATCH	1					
33	80175805014	SCREW,MACHINE	4		M5X14			
34	90201500500	NUT	4		M5			
35	90302510501	WASHER,SPRING	4		5			
36	90303520501	WASHER,PLAIN	4		5			
37	82466016470	COVER	1					
39	80172803014	SCREW,MACHINE	1		M3X14			
40	82400000393	INSULATOR	1					
41	90303520301	WASHER,PLAIN	2		3			
42	90302510301	WASHER,SPRING (SUS 3)	1					
43	90201500300	NUT	1		M3			
100	42654872002	BOX ASSY	1					

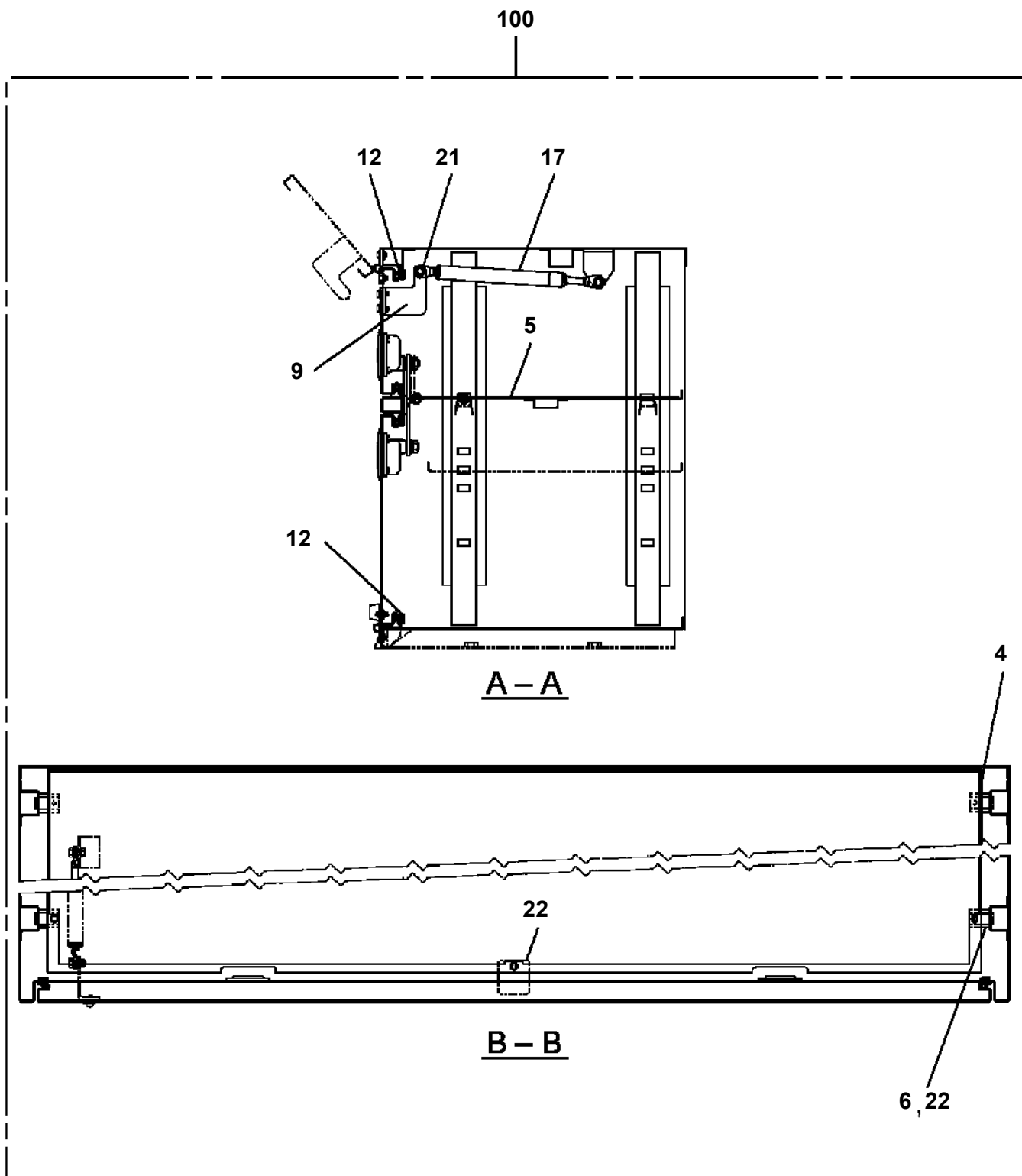
AT-100-5 42063541906 UPPER,LOWER,ISUZU TPG-NKR85AN-EE5AHY-JM

Pos No.	Parts No	Parts Name	Qty	Unit	Technical Data	Serial No (Start)	Serial No (End)	Rema
1	42267710310	BUCKET	1					
2	42267710320	DOOR	1					
3	42267710330	HINGE	1					
4	90201200800	NUT	2		M8			
5	42267710340	SUPPORT	1					
6	82466308293	INSULATOR	1					
7	90201200400	NUT	1		M4			
8	42267710350	SUPPORT	1					
9	42267710360	SUPPORT	1					
10	82470062402	LEVER	1					
11	80175805010	SCREW,MACHINE	3		M5X10			
12	80185806012	SCREW,MACHINE	2					
100	42267710300	BUCKET (WITH DOOR,WHITE)	1					

AT-100-5 42063541906 UPPER,LOWER,ISUZU TPG-NKR85AN-EE5AHY-JM

Pos No.	Parts No	Parts Name	Qty	Unit	Technical Data	Serial No (Start)	Serial No (End)	Remarks
1	42973110200	HARNESS	1					
2	91810132530	FASTENER	10					
3	90302040601	WASHER,SPRING	2		6			
6	34354781710	RELAY (WITH BRACKET)	2					
9	42973100101	HARNESS	1					
30	90101206010	BOLT	2		M6X1.0			

AT-100-5 42063541906 UPPER,LOWER,ISUZU TPG-NKR85AN-EE5AHY-JM
PB5410073-00 BOX,TOOL



AT-100-5 42063541906 UPPER,LOWER,ISUZU TPG-NKR85AN-EE5AHY-JM

Pos No.	Parts No	Parts Name	Qty	Unit	Technical Data	Serial No (Start)	Serial No (End)
2	42839107520	DOOR	1				
3	42839107530	MAT	1				
4	42836317920	PLATE	3				
5	42836317930	PLATE	3				
6	82400000393	INSULATOR	2				
7	42836317950	WEATHER STRIP	4	M			
8	42835867870	CATCH	1				
9	42838117510	CATCH	1				
10	42835487650	HINGE	3				
11	42833077610	BUSH	8				
12	42835797580	PLUG (HOLE)	4				
13	42839507560	BOLT (SUS WITH W,SW)	2		M10X16		
14	42834917570	SCREW,MACHINE (SEMS)	6		M5X14		
15	42839107540	SCREW,MACHINE (SUS WITH W,NUT)	2		M4X12		
16	80175805012	SCREW,MACHINE	9		M5X12		
17	82401800080	PLUG (FOR M8)	4				
100	42839103003	BOX,TOOL	1				

AT-100-5 42063541906 UPPER,LOWER,ISUZU TPG-NKR85AN-EE5AHY-JM

Pos No.	Parts No	Parts Name	Qty	Unit	Technical Data	Serial No (Start)
2	42839117520	DOOR	1			
3	42839107520	DOOR	1			
4	42839117540	DOOR	1			
5	42910387510	MAT	1			
6	42839117630	SUPPORT	4			
7	42836317920	PLATE	5			
8	42836317930	PLATE	5			
9	42835717610	SUPPORT	1			
10	37000512320	PLATE	2			
11	82400000393	INSULATOR	2			
12	42836317950	WEATHER STRIP	8	M		
13	42835867870	CATCH	2			
14	42838117510	CATCH	2			
15	42835487650	HINGE	5			
16	42833077610	BUSH	8			
17	42835797580	PLUG (HOLE)	8			
18	42839117570	BOLT SET(M10X16 WITH WASHER+SPRIGWASHER)	2			
19	42835717800	PIN	2			
20	42839117580	SCREW,SET(M6X14 WITH WASHER+WASHERSPRIG)	3			
21	42839117590	SCREW,SET (M6X14 WITH WASHER,SPRING)	2			
22	42839117600	SCREW,SET (M5X14 WITH SPRINGWASHER)	10			
23	42839117610	SCREW,SET (M4X16 WITH WASHER+NUT)	2			
24	42839117620	SCREW,MACHINE (M5X12)	15			
25	82401800080	PLUG (FOR M8)	4			
26	82440850090	GAS SPRING	1			
100	42910381000	BOX,TOOL	1			

AT-100-5 42063541906 UPPER,LOWER,ISUZU TPG-NKR85AN-EE5AHY-JM

Pos No.	Parts No	Parts Name	Qty	Unit	Technical Data	Serial No (Start)	Serial No (End)	Remark
1	(*****)	ELEC.ASSY (SLOPES ALARM)	1					
4	(*****)	PIPING ASSY	1					

AT-100-5 42063541906 UPPER,LOWER,ISUZU TPG-NKR85AN-EE5AHY-JM

Pos No.	Parts No	Parts Name	Qty	Unit	Technical Data	Serial No (Start)	Serial No (End)	Remarks	Pages
1	31270642100	COVER (BLACK)	1						
2	31270642200	COVER (BLACK)	1						
3	90101208016	BOLT	3		M8X16				
4	90302040801	WASHER,SPRING	4		8				
6	37000578740	PLATE	4		T=1.6				
7	90101208020	BOLT	1		M8X20				
15	42443940300	SUPPORT	1						

AT-100-5 42063541906 UPPER,LOWER,ISUZU TPG-NKR85AN-EE5AHY-JM

Pos No.	Parts No	Parts Name	Qty	Unit	Technical Data	Serial No (Start)	Serial No (End)	Remarks	Pages
1	42974330100	COVER	1						

AT-100-5 42063541906 UPPER,LOWER,ISUZU TPG-NKR85AN-EE5AHY-JM

Pos No.	Parts No	Parts Name	Qty	Unit	Technical Data	Serial No (Start)	Serial No (End)	Remarks	Pages
10	42267480200	COVER	1						

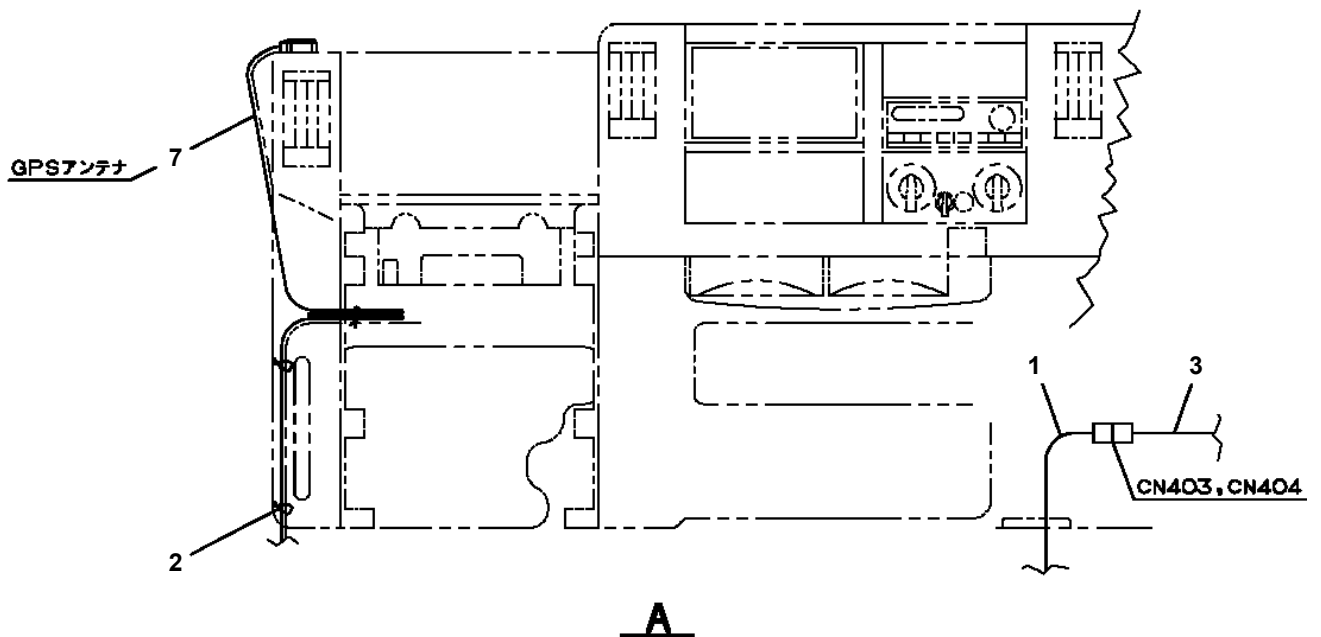
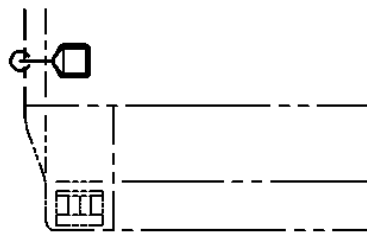
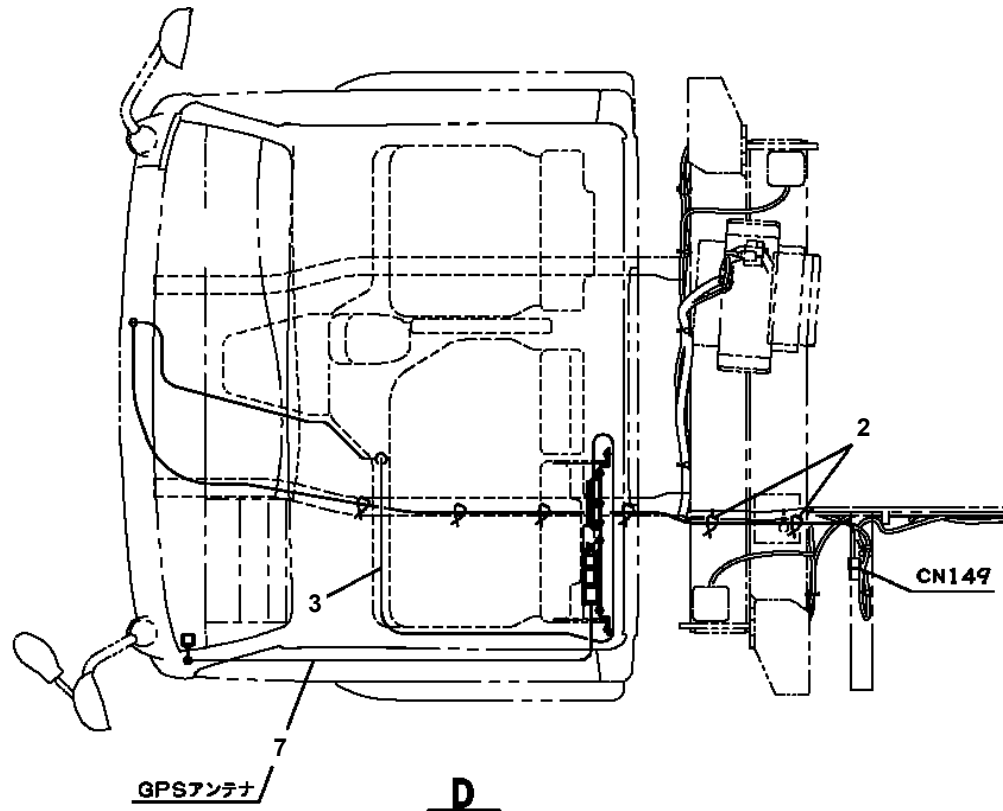
AT-100-5 42063541906 UPPER,LOWER,ISUZU TPG-NKR85AN-EE5AHY-JM

Pos No.	Parts No	Parts Name	Qty	Unit	Technical Data	Serial No (Start)	Serial No (End)
2	31300070010	BOLT	19		M20X80		
3	37001505940	BOLT	10		M18X60		
4	90171116040	BOLT	4		M16X40		
5	90302041601	WASHER,SPRING	4		16		
6	36081610000	REDUCER,SWING SPEED	1				
7	91001208500	O-RING	1		1A G85		
8	90174112035	BOLT	2		M12X35		
9	90302041201	WASHER,SPRING	2		12		
10	36664070000	MOTOR,OIL	1				
31	37002304190	BEARING,SWING (NIHON MONORACE)	1				
32	37002304160	BEARING,SWING (NTN TO ROBHALLO)	1				

AT-100-5 42063541906 UPPER,LOWER,ISUZU TPG-NKR85AN-EE5AHY-JM

Pos No.	Parts No	Parts Name	Qty	Unit	Technical Data	Serial No (Start)	Serial No (End)	Remark
1	36027510000	CYLINDER ASSY,LEVELING	1					
2	36624110000	VALVE,CHECK	1					
3	90180210050	BOLT,BUTTON	4		M10X50			

AT-100-5 42063541906 UPPER,LOWER,ISUZU TPG-NKR85AN-EE5AHY-JM
PE5020677-03 ELEC.ASSY (TELEMATICS)



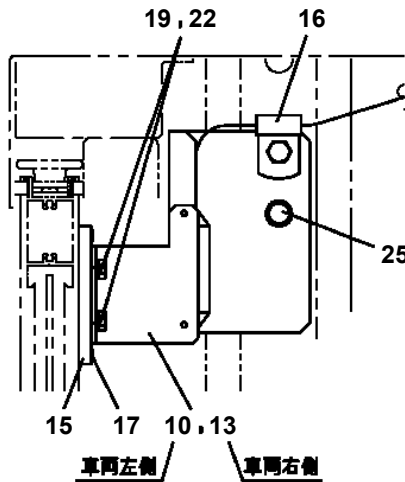
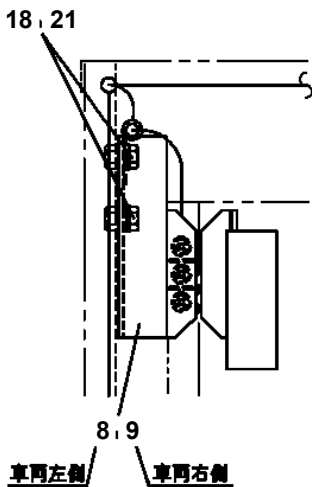
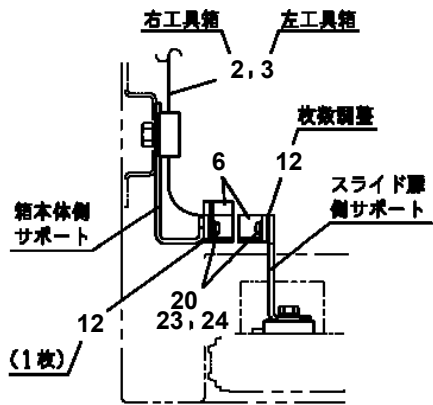
AT-100-5 42063541906 UPPER,LOWER,ISUZU TPG-NKR85AN-EE5AHY-JM

Pos No.	Parts No	Parts Name	Qty	Unit	Technical Data	Serial No (Start)	Serial No (End)	Re
1	42973362101	HARNESS (OUTSIDE CAB)	1					
2	91810132530	FASTENER	30					
3	42973362201	HARNESS (INSIDE CAB)	1					
4	82100002645	SOCKET	1					
5	82199603010	SUPPORT	2					
6	42736070100	SWITCH ASSY (WITH HARNESS)	1					
7	82193101050	TIMER	1					
8	80172304014	SCREW,MACHINE	2		M4X14			
9	90240200400	NUT,CAP	2		M4			
10	90303070401	WASHER,PLAIN	2		4			
11	90302040401	WASHER,SPRING	2		4			
12	90101206014	BOLT	4		M6X14			
13	90302040601	WASHER,SPRING	4		6			
14	90303070601	WASHER,PLAIN	2		6			
15	90201200600	NUT	2		M6			
16	34354781710	RELAY (WITH BRACKET)	2					
17	32652540300	SUPPORT	1					
18	82100000191	TERMINAL	1					
19	82100000183	INSULATOR	1					
20	82100000192	TERMINAL	1					
21	82100000182	INSULATOR	1					
22	82115001002	CONNECTOR	4					
23	90101210020	BOLT	1		M10X20			
24	90302041001	WASHER,SPRING	1		10			
25	90201201000	NUT	1		M10			
26	42973100200	HARNESS	1					
27	42973362300	SUPPORT	1					

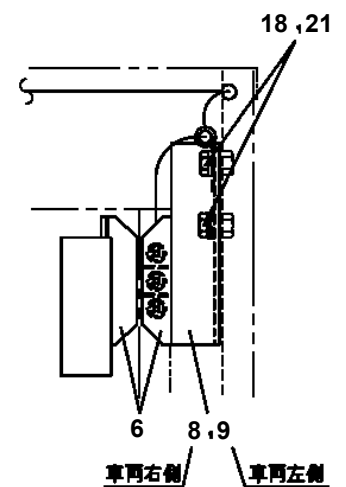
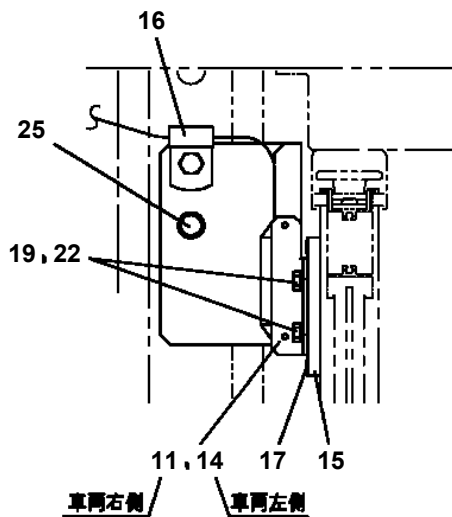
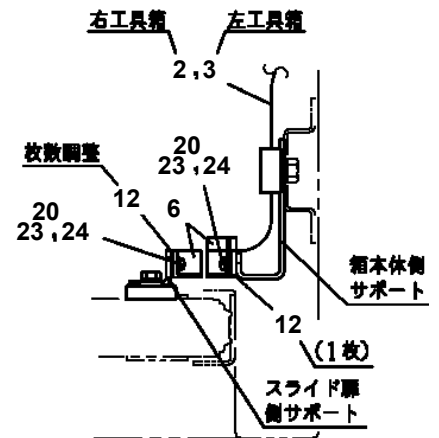
AT-100-5 42063541906 UPPER,LOWER,ISUZU TPG-NKR85AN-EE5AHY-JM

Pos No.	Parts No	Parts Name	Qty	Unit	Technical Data	Serial No (Start)	Serial No (End)	Remarks
1	36140510000	DETECTOR ASSY,ANGLE	1					
	36140510000	DETECTOR ASSY,ANGLE	1					
2	42652480010	PLATE	1					
	42652480010	PLATE	1					
3	42651620400	COVER	1					
	42651620400	COVER	1					
4	90101208016	BOLT	6		M8X16			
	90101208016	BOLT	6		M8X16			
5	90302040801	WASHER,SPRING	6		8			
	90302040801	WASHER,SPRING	6		8			
6	90101206014	BOLT	2		M6X14			
	90101206014	BOLT	2		M6X14			
7	90302040601	WASHER,SPRING	2		6			
	90302040601	WASHER,SPRING	2		6			
8	91810130240	FASTENER	8					
	91810130240	FASTENER	8					
9	37000500060	PLATE	2					
	37000500060	PLATE	2					
10	42512391100	HARNESS	1					
	42512391100	HARNESS	1					
11	42512420100	HARNESS	1					
	42512420100	HARNESS	1					
32	82400000201	GROMMET	1		KG-016			
	82400000201	GROMMET	1		KG-016			

AT-100-5 42063541906 UPPER,LOWER,ISUZU TPG-NKR85AN-EE5AHY-JM
PE5021055-00 ELEC.ASSY (FRAME)



A



B

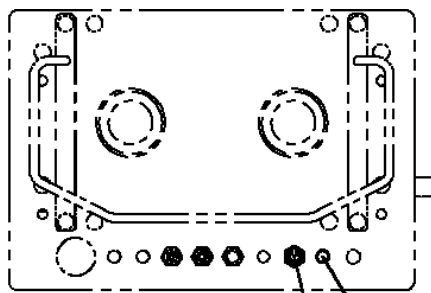
AT-100-5 42063541906 UPPER,LOWER,ISUZU TPG-NKR85AN-EE5AHY-JM

Pos No.	Parts No	Parts Name	Qty	Unit	Technical Data	Serial No (Start)	Serial No (End)	Remarks
1	(*****)	SWITCH ASSY	1					
3	90172112020	BOLT,HEXAGON SOCKET	4		M12X20			
4	90302041201	WASHER,SPRING	4		12			
5	91810132530	FASTENER	2					
6	42350250080	PLUG (3 POLES,MALE)	1					
7	42512411101	HARNESS	1					

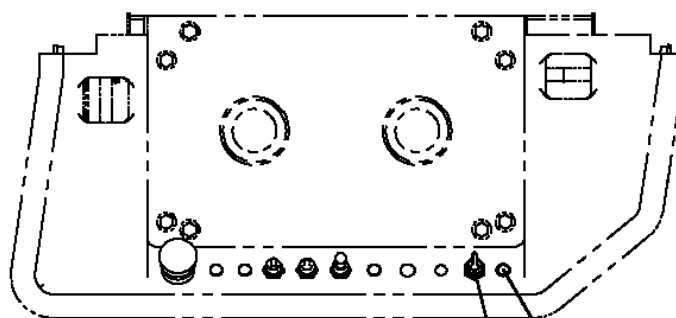
AT-100-5 42063541906 UPPER,LOWER,ISUZU TPG-NKR85AN-EE5AHY-JM

Pos No.	Parts No	Parts Name	Qty	Unit	Technical Data	Serial No (Start)	Serial No (End)	Remarks
1	42974681100	HARNESS	1					
2	42974681200	HARNESS	1					
3	91810132530	FASTENER	20					
4	34354781710	RELAY (WITH BRACKET)	1					
5	90101206010	BOLT	1		M6X1.0			
6	90302040601	WASHER,SPRING	1		6			

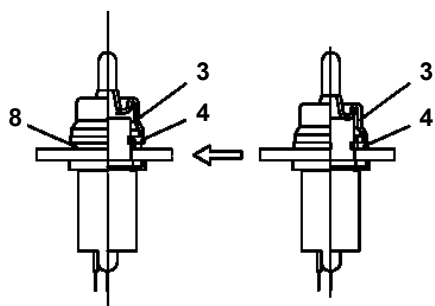
AT-100-5 42063541906 UPPER,LOWER,ISUZU TPG-NKR85AN-EE5AHY-JM
PE5060031-01 ELEC.ASSY,BUCKET



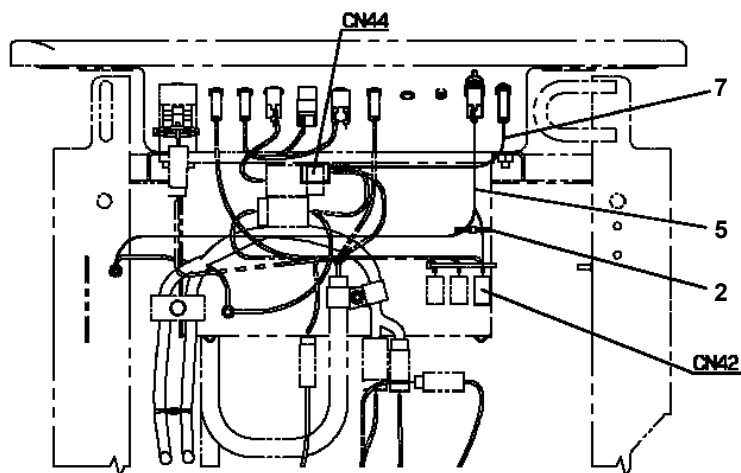
鉄パネルの場合 CN42



FRPパネルの場合 CN42



トグルSW



AT-100-5 42063541906 UPPER,LOWER,ISUZU TPG-NKR85AN-EE5AHY-JM

Pos No.	Parts No	Parts Name	Qty	Unit	Technical Data	Serial No (Start)	Serial No (End)
1	42839071100	HARNESS	1				
	42839071100	HARNESS	1				
2	90101206014	BOLT	2		M6X14		
	90101206014	BOLT	2		M6X14		
3	90302040601	WASHER,SPRING	2		6		
	90302040601	WASHER,SPRING	2		6		
4	90303070601	WASHER,PLAIN	2		6		
	90303070601	WASHER,PLAIN	2		6		
5	90201200600	NUT	2		M6		
	90201200600	NUT	2		M6		
6	80172304012	SCREW,MACHINE	2		M4X12		
	80172304012	SCREW,MACHINE	2		M4X12		
7	90302040401	WASHER,SPRING	2		4		
	90302040401	WASHER,SPRING	2		4		
8	90201200400	NUT	2		M4		
	90201200400	NUT	2		M4		
9	42971090100	SUPPORT	1				
	42971090100	SUPPORT	1				
10	42809631200	LAMP ASSY (RED,WITH HARNESS)	1				
	42809631200	LAMP ASSY (RED,WITH HARNESS)	1				
11	42652990200	BUZZER ASSY	1				
	42652990200	BUZZER ASSY	1				
12	91810132530	FASTENER	10				
	91810132530	FASTENER	10				
13	82115001002	CONNECTOR	8				
	82115001002	CONNECTOR	8				
14	82100001805	TUBE,CORRUGATE	1	M	19		
	82100001805	TUBE,CORRUGATE	1	M	19		
15	(*****)	ELEC.ASSY (MODIFICATION)	1				
	(*****)	ELEC.ASSY (MODIFICATION)	1				
16	82100001801	TUBE,CORRUGATE	1	M	7	HK1793	
	82100001801	TUBE,CORRUGATE	1	M	7	HK1793	

AT-100-5 42063541906 UPPER,LOWER,ISUZU TPG-NKR85AN-EE5AHY-JM

Pos No.	Parts No	Parts Name	Qty	Unit	Technical Data	Serial No (Start)	Serial No (End)	Remarks
1	42626712001	FRAME ASSY	1					
2	42626470101	COVER ASSY	1					
4	42626010100	BELT	1					
5	90172108014	BOLT,HEXAGON SOCKET	4		M8X14			
6	90302040801	WASHER,SPRING	1		8			
7	90303070801	WASHER,PLAIN	1		8			
8	37002020351	PLATE,SLIDE	2					
9	90180208016	BOLT,BUTTON	1		M8X16			
10	80172305020	SCREW,MACHINE	6		M5X20			
11	82464107814	HINGE	2					
12	90101205012	BOLT	6		M5X12			
13	90201200500	NUT	12		M5			
14	90302510501	WASHER,SPRING	12		5			
15	90303070501	WASHER,PLAIN	12		5			
23	42626180010	PLATE (RUBBER T=0.5)	2					
41	42626470201	COVER	1					
42	82460027201	HANDLE	1					

AT-100-5 42063541906 UPPER,LOWER,ISUZU TPG-NKR85AN-EE5AHY-JM

Pos No.	Parts No	Parts Name	Qty	Unit	Technical Data	Serial No (Start)	Serial No (End)	Remarks	Pa
1	42972612000	GUARD (ASSY ONLY)	1						
2	90101208012	BOLT	4		M8X12				
3	90302040801	WASHER,SPRING	4		8				
4	90303070801	WASHER,PLAIN	4		8				

AT-100-5 42063541906 UPPER,LOWER,ISUZU TPG-NKR85AN-EE5AHY-JM

Pos No.	Parts No	Parts Name	Qty	Unit	Technical Data	Serial No (Start)	Serial No (End)	Remarks	Pages
1	42974360100	GUARD	1						
2	42974320200	GUARD	1						
3	42974320300	GUARD	1						

AT-100-5 42063541906 UPPER,LOWER,ISUZU TPG-NKR85AN-EE5AHY-JM

Pos No.	Parts No	Parts Name	Qty	Unit	Technical Data	Serial No (Start)	Serial No (End)	Remarks	Pages
1	42739931110	DISPLAY	1						000126
2	42807401150	CABLE	1						
3	42739931150	CAMERA	1						000128
30	42739962100	VIEW SYSTEM	1						

AT-100-5 42063541906 UPPER,LOWER,ISUZU TPG-NKR85AN-EE5AHY-JM

Pos No.	Parts No	Parts Name	Qty	Unit	Technical Data	Serial No (Start)	Serial No (End)	Remarks	Pages
1	42970231200	SUPPORT	1		T=4.5				
2	91810130240	FASTENER	3						
7	42391163120	PLATE,NAME	1						

AT-100-5 42063541906 UPPER,LOWER,ISUZU TPG-NKR85AN-EE5AHY-JM

Pos No.	Parts No	Parts Name	Qty	Unit	Technical Data	Serial No (Start)	Serial No (End)	Remarks	Pages
9	82100001839	FUSE	1		10A.RED				
	82100001839	FUSE	1		10A.RED				
50	42508140100	HARNESS	1						
	42508140100	HARNESS	1						

AT-100-5 42063541906 UPPER,LOWER,ISUZU TPG-NKR85AN-EE5AHY-JM

Pos No.	Parts No	Parts Name	Qty	Unit	Technical Data	Serial No (Start)	Serial No (End)	Remarks	Pages
100	42355780100	HARNESS	1						

AT-100-5 42063541906 UPPER,LOWER,ISUZU TPG-NKR85AN-EE5AHY-JM

Pos No.	Parts No	Parts Name	Qty	Unit	Technical Data	Serial No (Start)	Serial No (End)	Remarks	Pages
100	42839071100	HARNESS	1						
	42839071100	HARNESS	1						

AT-100-5 42063541906 UPPER,LOWER,ISUZU TPG-NKR85AN-EE5AHY-JM

Pos No.	Parts No	Parts Name	Qty	Unit	Technical Data	Serial No (Start)	Serial No (End)	Remarks	Pages
100	42937120300	HARNESS	1						

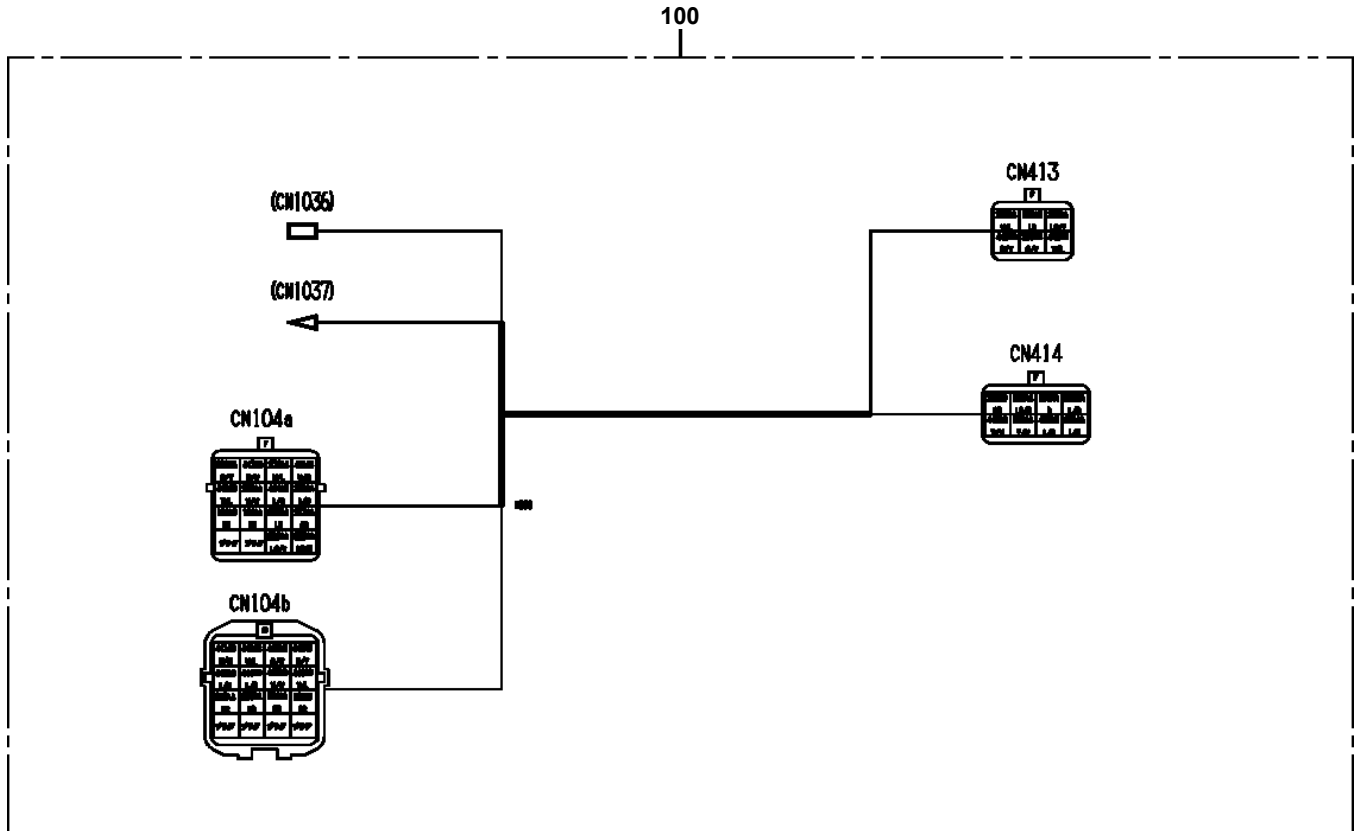
AT-100-5 42063541906 UPPER,LOWER,ISUZU TPG-NKR85AN-EE5AHY-JM

Pos No.	Parts No	Parts Name	Qty	Unit	Technical Data	Serial No (Start)	Serial No (End)	Remarks	Pages
100	42973100101	HARNESS	1						

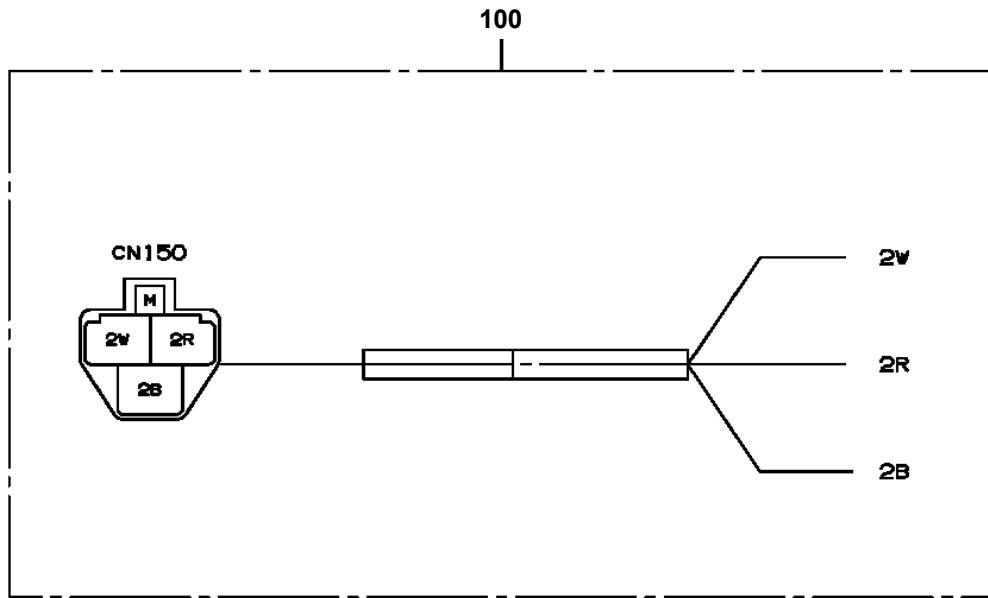
AT-100-5 42063541906 UPPER,LOWER,ISUZU TPG-NKR85AN-EE5AHY-JM

Pos No.	Parts No	Parts Name	Qty	Unit	Technical Data	Serial No (Start)	Serial No (End)	Remarks	Pages
100	42512391100	HARNESS	1						
	42512391100	HARNESS	1						

AT-100-5 42063541906 UPPER,LOWER,ISUZU TPG-NKR85AN-EE5AHY-JM
PH5033412-00 HARNESS (RUNAWAY PREVENTION)



**AT-100-5 42063541906 UPPER,LOWER,ISUZU TPG-NKR85AN-EE5AHY-JM
PH5033686-00 HARNESS**



AT-100-5 42063541906 UPPER,LOWER,ISUZU TPG-NKR85AN-EE5AHY-JM

Pos No.	Parts No	Parts Name	Qty	Unit	Technical Data	Serial No (Start)	Serial No (End)	Remarks	Pages
15	82182819823	DIODE	1		1.5A				
100	42974681100	HARNESS	1						

AT-100-5 42063541906 UPPER,LOWER,ISUZU TPG-NKR85AN-EE5AHY-JM

Pos No.	Parts No	Parts Name	Qty	Unit	Technical Data	Serial No (Start)	Serial No (End)	Remarks	Pages
100	42332521500	HARNESS	1						

AT-100-5 42063541906 UPPER,LOWER,ISUZU TPG-NKR85AN-EE5AHY-JM

Pos No.	Parts No	Parts Name	Qty	Unit	Technical Data	Serial No (Start)	Serial No (End)	Remarks	Pages
100	42501070010	HARNESS	1						

AT-100-5 42063541906 UPPER,LOWER,ISUZU TPG-NKR85AN-EE5AHY-JM

Pos No.	Parts No	Parts Name	Qty	Unit	Technical Data	Serial No (Start)	Serial No (End)	Remarks	Pages
100	42512411100	HARNESS	1						

AT-100-5 42063541906 UPPER,LOWER,ISUZU TPG-NKR85AN-EE5AHY-JM

Pos No.	Parts No	Parts Name	Qty	Unit	Technical Data	Serial No (Start)	Serial No (End)	Remarks	Pages
1	82182819823	DIODE	4		1.5A				
2	82182819834	DIODE	4		1.5A				
100	42910391101	HARNESS	1						

AT-100-5 42063541906 UPPER,LOWER,ISUZU TPG-NKR85AN-EE5AHY-JM

Pos No.	Parts No	Parts Name	Qty	Unit	Technical Data	Serial No (Start)	Serial No (End)	Remarks	Pages
1	82460027205	HANDLE	1						

AT-100-5 42063541906 UPPER,LOWER,ISUZU TPG-NKR85AN-EE5AHY-JM

Pos No.	Parts No	Parts Name	Qty	Unit	Technical Data	Serial No (Start)	Serial No (End)	Remarks	Pages
1	82460027210	HANDLE	1						

AT-100-5 42063541906 UPPER,LOWER,ISUZU TPG-NKR85AN-EE5AHY-JM

Pos No.	Parts No	Parts Name	Qty	Unit	Technical Data	Serial No (Start)	Serial No (End)	Remarks
4	36625115010	JOINT	1					
5	91002801800	O-RING	1		1B P18			
50	36625250000	VALVE,CHECK (UZUMAKI)	1					

AT-100-5 42063541906 UPPER,LOWER,ISUZU TPG-NKR85AN-EE5AHY-JM

Pos No.	Parts No	Parts Name	Qty	Unit	Technical Data	Serial No (Start)	Serial No
1	(*****)	ELEC.ASSY (RUNAWAY PREVENTION)	1				
2	(*****)	ELEC.ASSY,CARRIER	1				
3	(*****)	NAME PLATE ASSY (RUNAWAY PREVENTION)	1				

AT-100-5 42063541906 UPPER,LOWER,ISUZU TPG-NKR85AN-EE5AHY-JM

Pos No.	Parts No	Parts Name	Qty	Unit	Technical Data	Serial No (Start)	Serial No (End)	Rem
1	42266640101	BUCKET (WHITE/DRAIN HOLE)	1					

CLICK HERE TO **DOWNLOAD** THE COMPLETE MANUAL

- Thank you very much for reading the preview of the manual.
- You can download the complete manual from: www.heydownloads.com by clicking the link below



- Please note: If there is no response to CLICKING the link, please download this PDF first and then click on it.

CLICK HERE TO **DOWNLOAD** THE COMPLETE MANUAL

AT-100-5 42063541906 UPPER,LOWER,ISUZU TPG-NKR85AN-EE5AHY-JM

Pos No.	Parts No	Parts Name	Qty	Unit	Technical Data	Serial No (Start)	Serial No (End)	Remarks	Pages
1	42261840200	CASE,INNER	1						
2	91850210545	FASTENER	1		L=545				

AT-100-5 42063541906 UPPER,LOWER,ISUZU TPG-NKR85AN-EE5AHY-JM

Pos No.	Parts No	Parts Name	Qty	Unit	Technical Data	Serial No (Start)	Serial No (End)
1	(***** 42264200600	BUCKET (WHITE/WITHOUT BOSS) BUCKET (WHITE/WITHOUT BOSS)	1 1			HK1988	
2	(*****	ACCESSORIES (MAT)	1				
3	42509510000	COVER ASSY (BUCKET/CLOTH:WHITE)	1				
4	(*****	COVER	1				

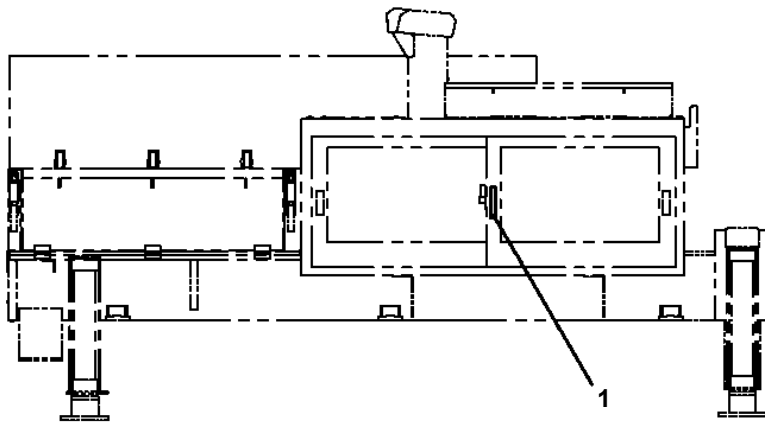
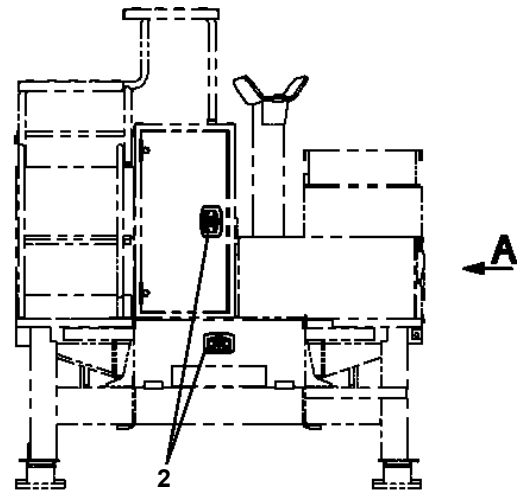
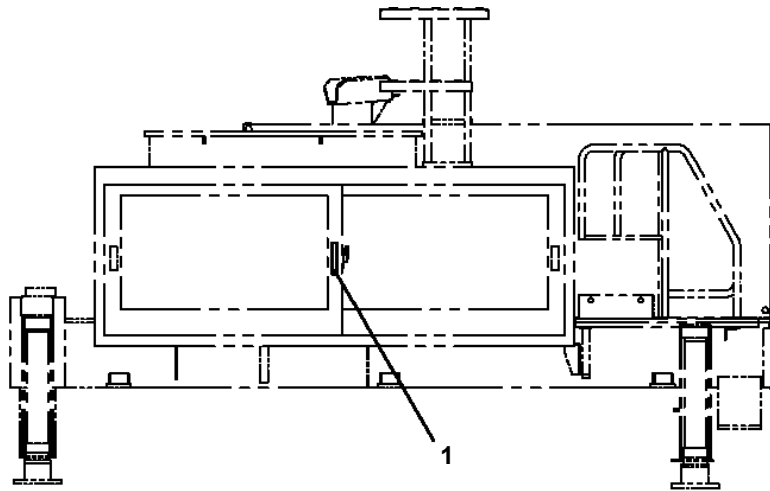
AT-100-5 42063541906 UPPER,LOWER,ISUZU TPG-NKR85AN-EE5AHY-JM

Pos No.	Parts No	Parts Name	Qty	Unit	Technical Data	Serial No (Start)	Serial No (End)	Remarks	Pages
1	42715440100	HARNESS	1						000181
2	82420809512	TRIM	1	M		HK1729			

AT-100-5 42063541906 UPPER,LOWER,ISUZU TPG-NKR85AN-EE5AHY-JM

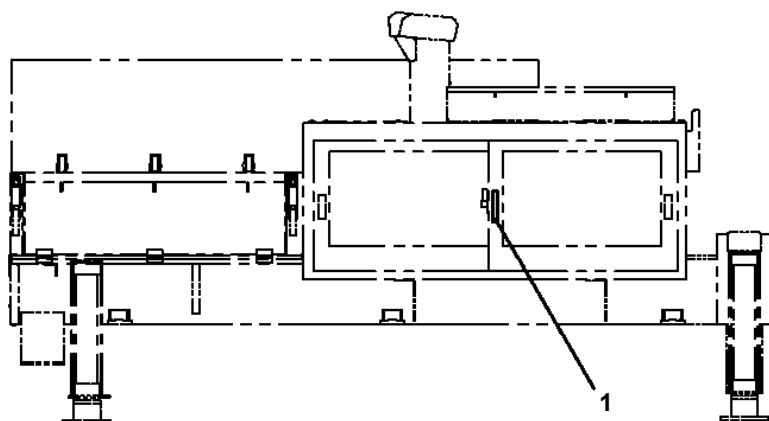
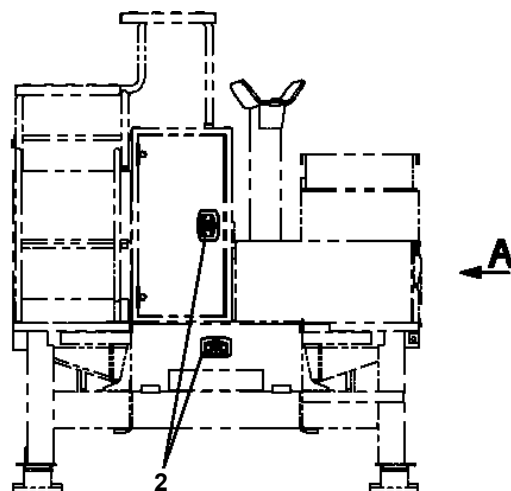
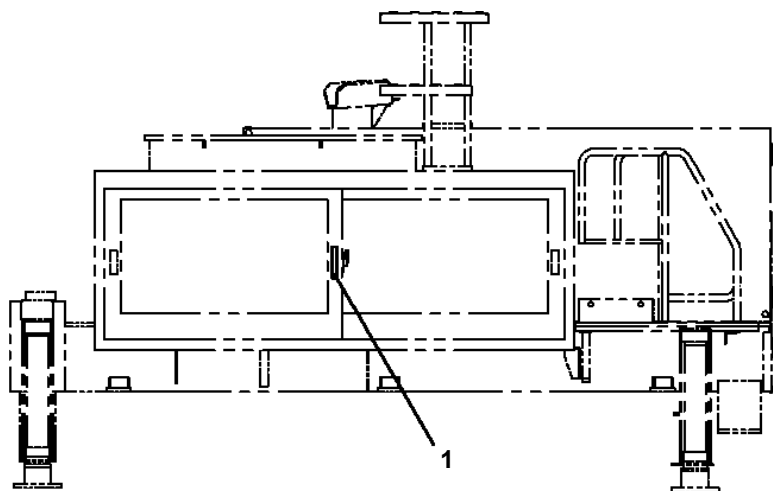
Pos No.	Parts No	Parts Name	Qty	Unit	Technical Data	Serial No (Start)	Serial No (End)	Remarks
1	82199105017	LAMP (ASSY ONLY)	1					
2	90101212020	BOLT	1		M12X20			
3	90302041201	WASHER,SPRING	1		12			
4	37010103570	PIN	1					
100	42510601600	LAMP ASSY (SQUARE TYPE)	1					

AT-100-5 42063541906 UPPER,LOWER,ISUZU TPG-NKR85AN-EE5AHY-JM
PL5270042-00 LOCK ASSY (KEY NO.1)



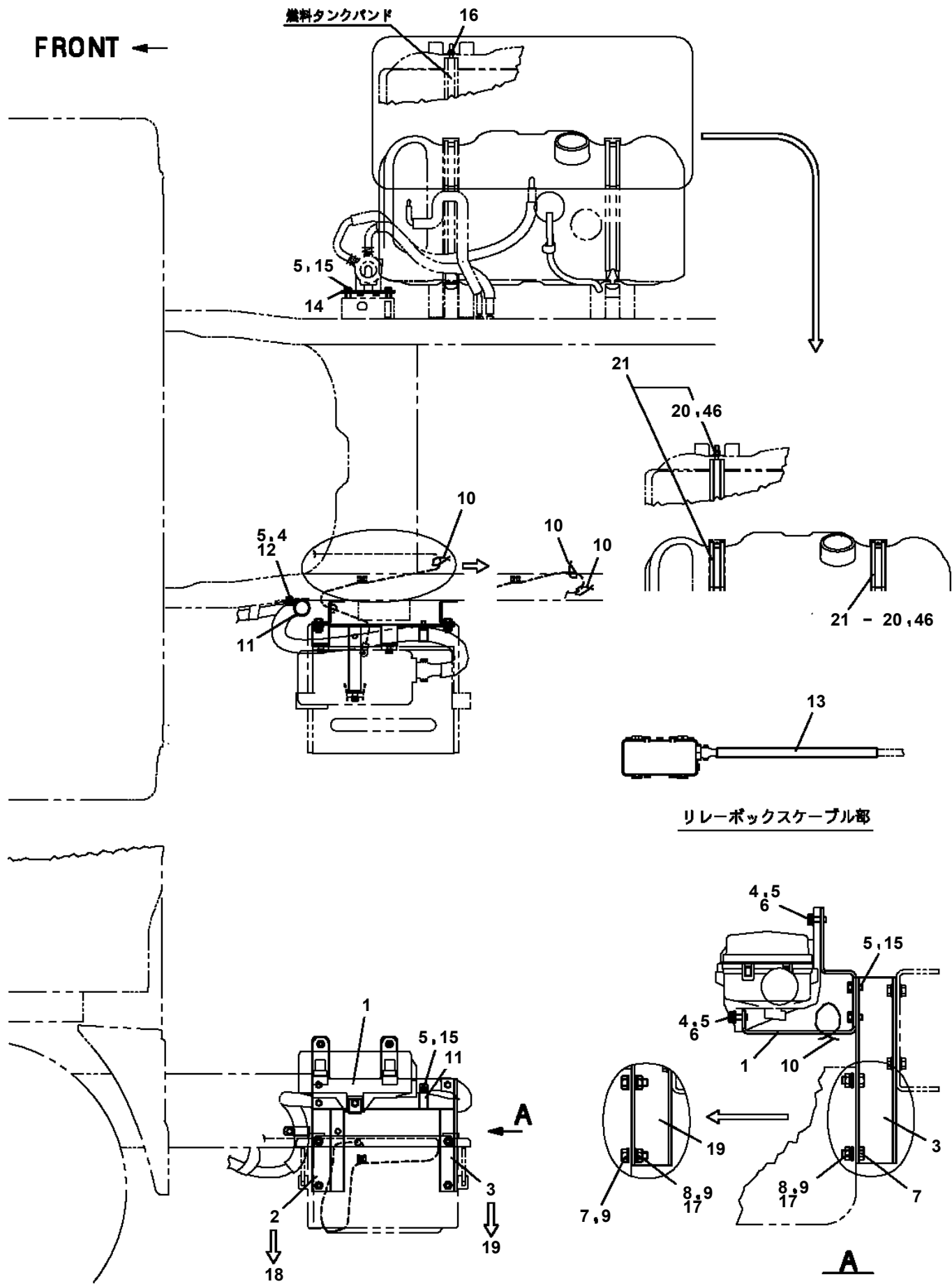
A

AT-100-5 42063541906 UPPER,LOWER,ISUZU TPG-NKR85AN-EE5AHY-JM
PL5270048-00 LOCK ASSY (KEY NO.6)

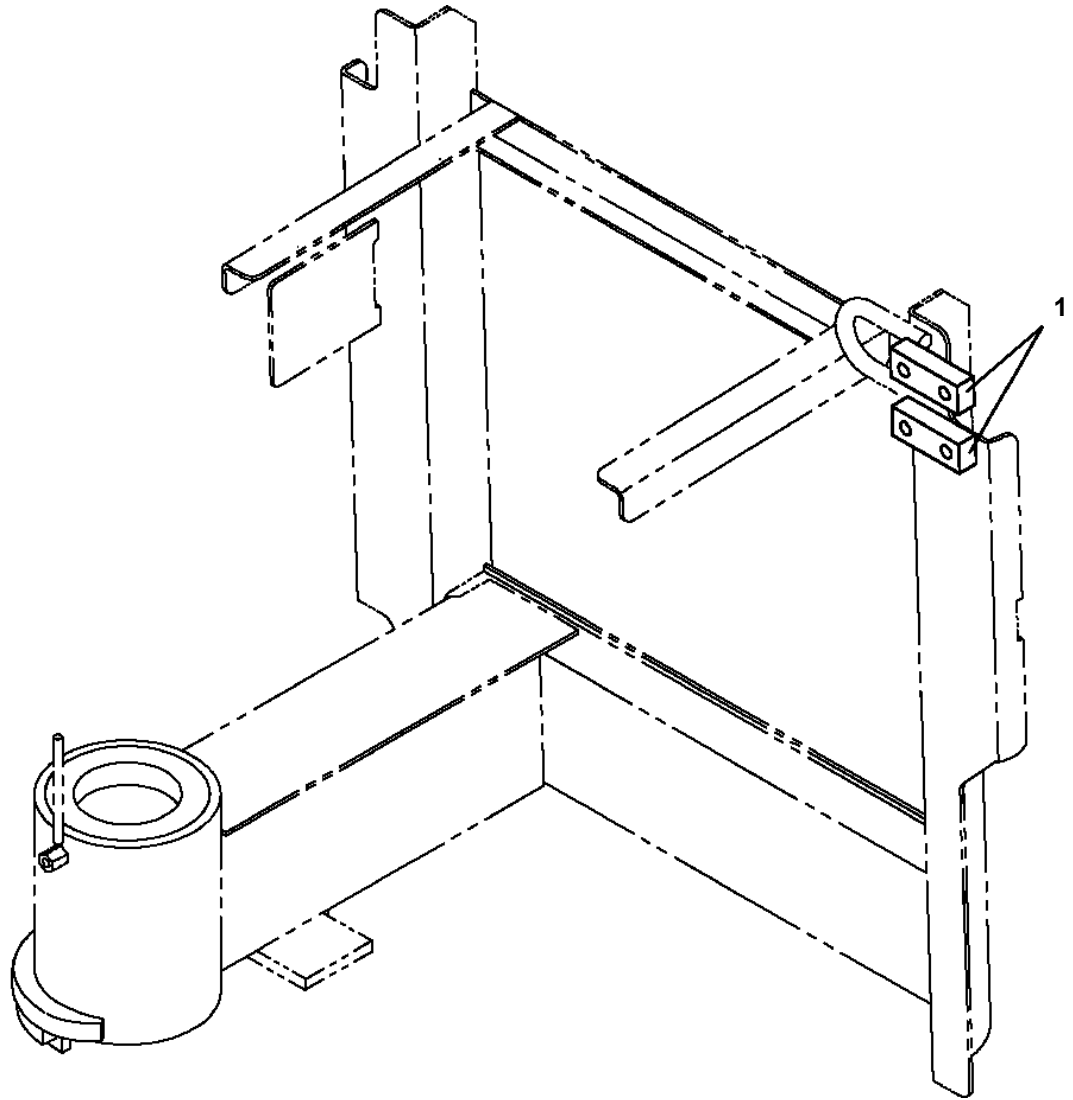


A

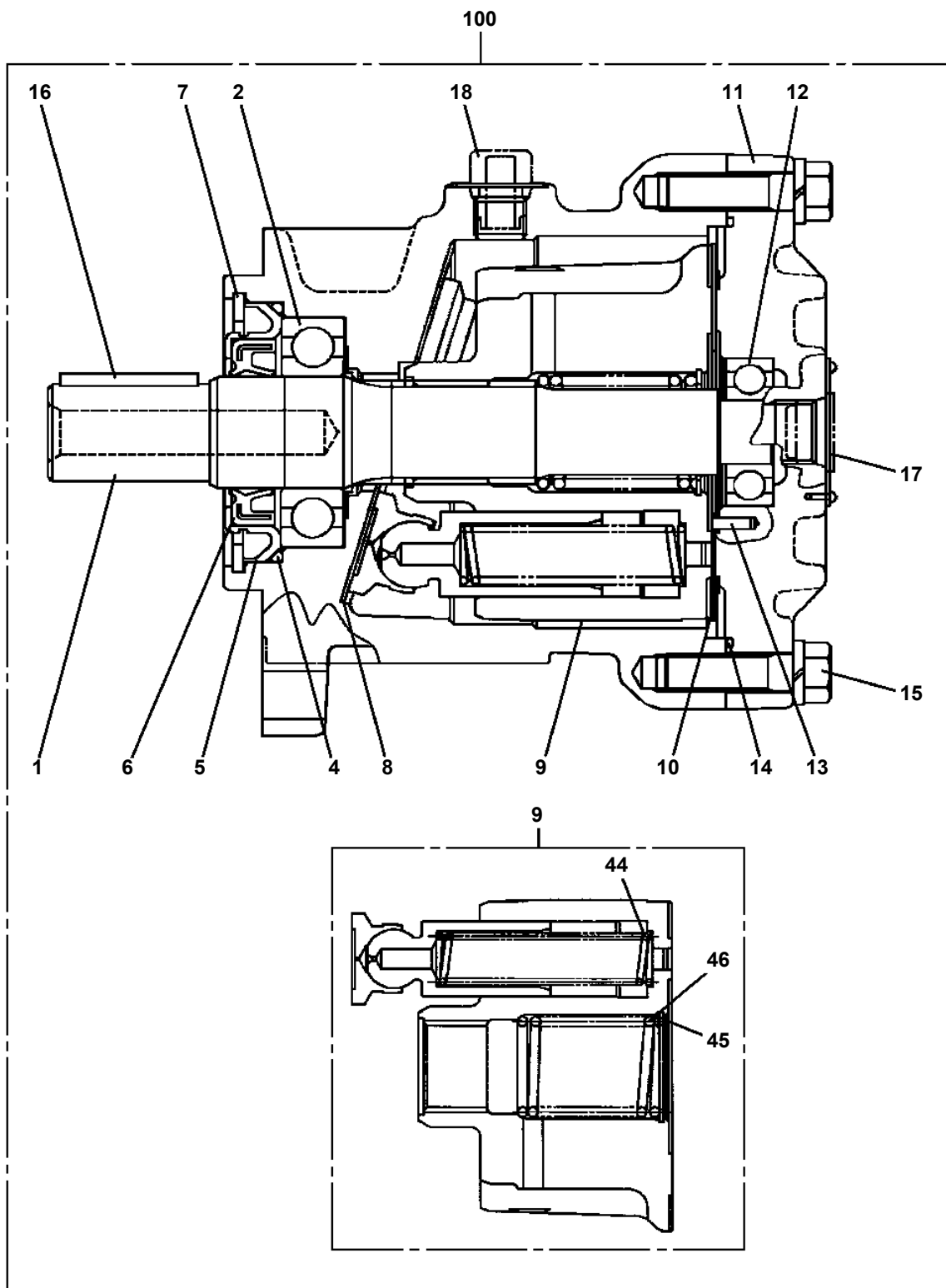
AT-100-5 42063541906 UPPER,LOWER,ISUZU TPG-NKR85AN-EE5AHY-JM
 PM5150293-05 MODIFICATION ASSY



**AT-100-5 42063541906 UPPER,LOWER,ISUZU TPG-NKR85AN-EE5AHY-JM
PM5150876-00 MODIFICATION ASSY (MOUNT)**



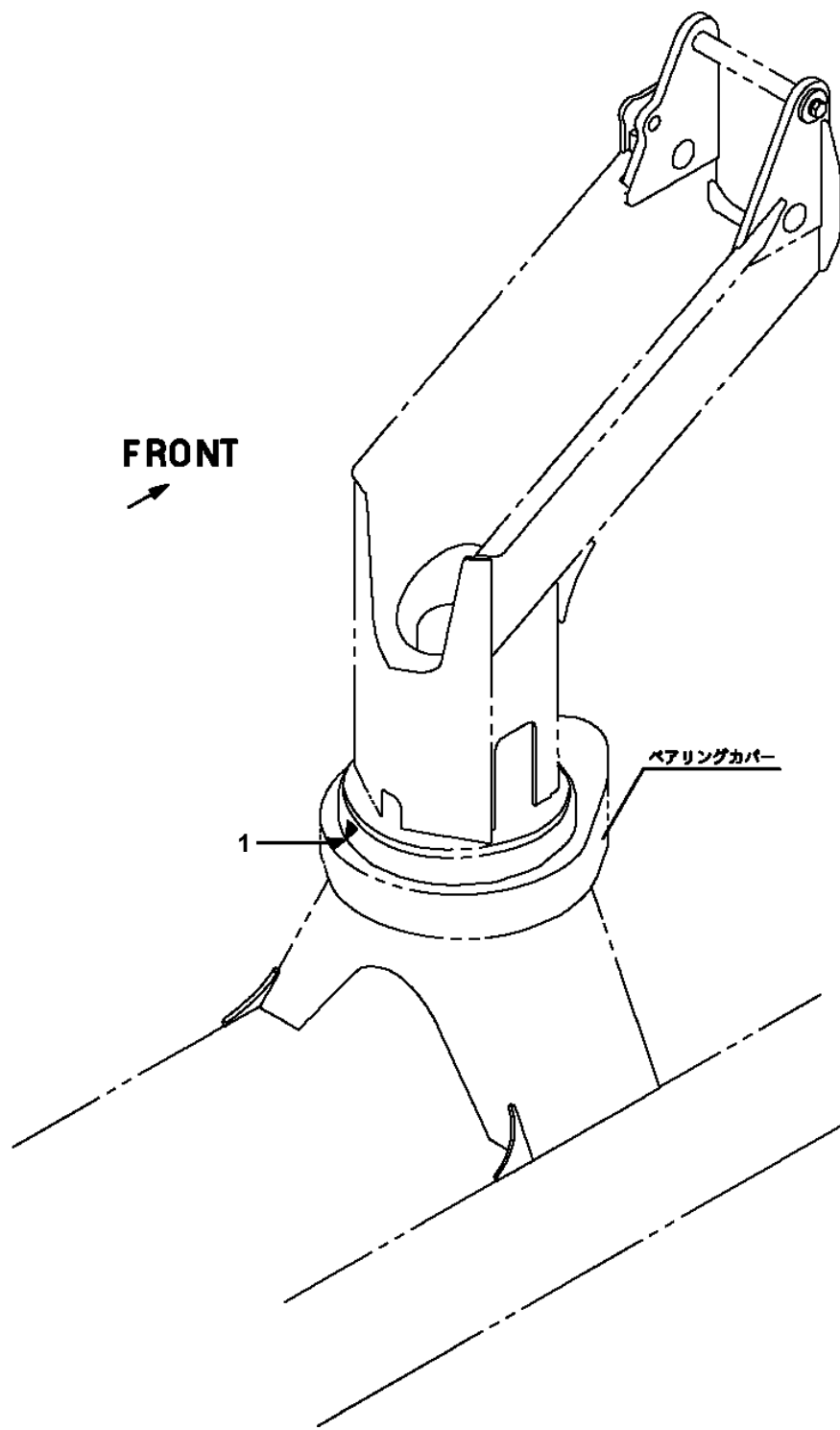
AT-100-5 42063541906 UPPER,LOWER,ISUZU TPG-NKR85AN-EE5AHY-JM
PM5230001-01 MOTOR,OIL



AT-100-5 42063541906 UPPER,LOWER,ISUZU TPG-NKR85AN-EE5AHY-JM

Pos No.	Parts No	Parts Name	Qty	Unit	Technical Data	Serial No (Start)	Serial No (End)
6	82105220286	SWITCH,TOGGLE	3				
50	42651591300	SWITCH ASSY (WITH HARNESS,3 SW)	1				

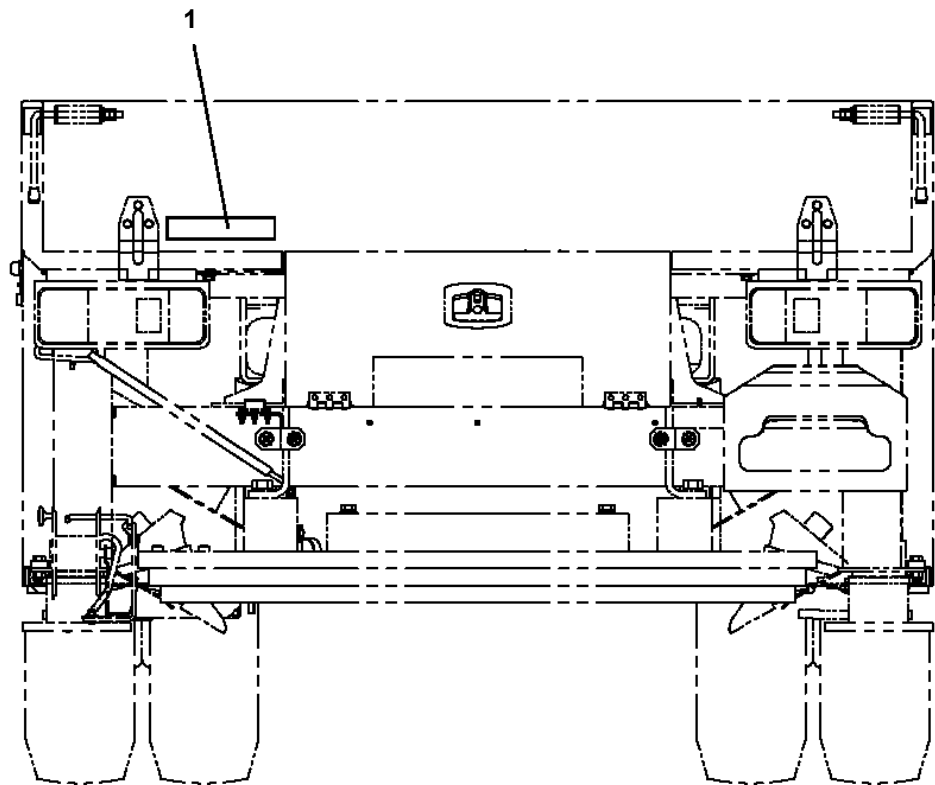
AT-100-5 42063541906 UPPER,LOWER,ISUZU TPG-NKR85AN-EE5AHY-JM
PN5010700-00 NAME PLATE ASSY (SWING MARK)



AT-100-5 42063541906 UPPER,LOWER,ISUZU TPG-NKR85AN-EE5AHY-JM

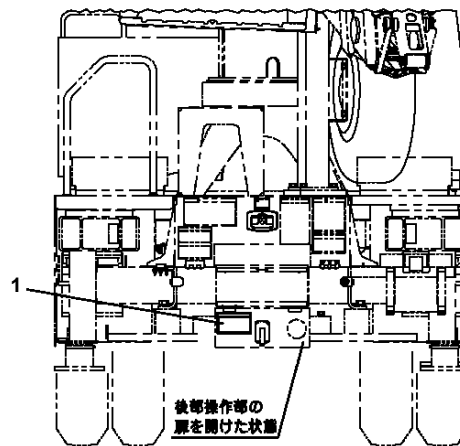
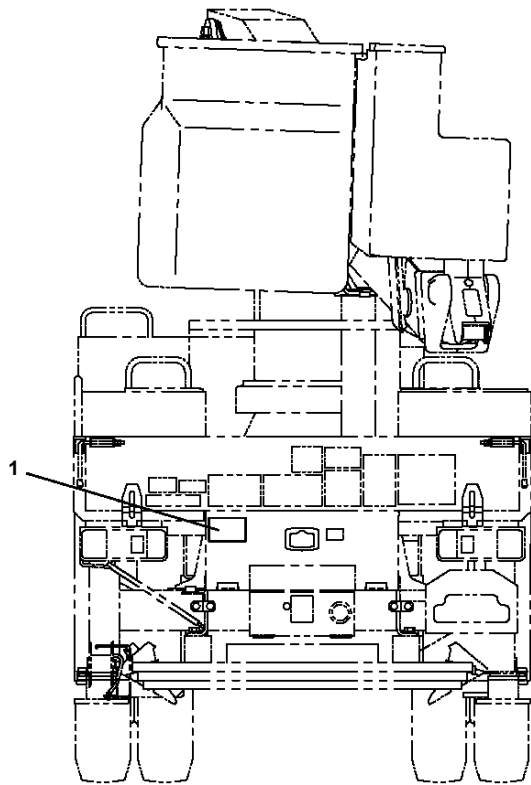
Pos No.	Parts No	Parts Name	Qty	Unit	Technical Data	Serial No (Start)	Serial No (End)	Remarks	Pages
1	42392583050	PLATE,NAME	2				HK2663		
	42592663170	PLATE,NAME	2			HK2664			

AT-100-5 42063541906 UPPER,LOWER,ISUZU TPG-NKR85AN-EE5AHY-JM
PN5010958-00 NAME PLATE ASSY (MAXIMUM LOADING CAPACITY:400KG)



1
最大積載量 400Kg

AT-100-5 42063541906 UPPER,LOWER,ISUZU TPG-NKR85AN-EE5AHY-JM
PN5011267-01 NAME PLATE ASSY (JACK HORIZONTAL)



AT-100TG-5の場合

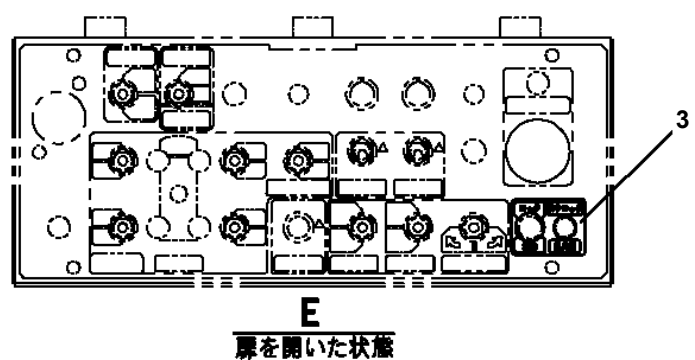
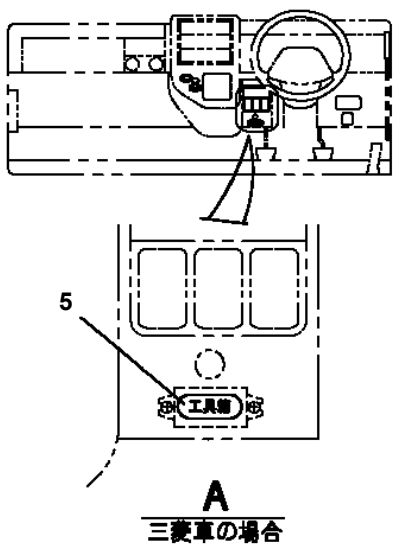
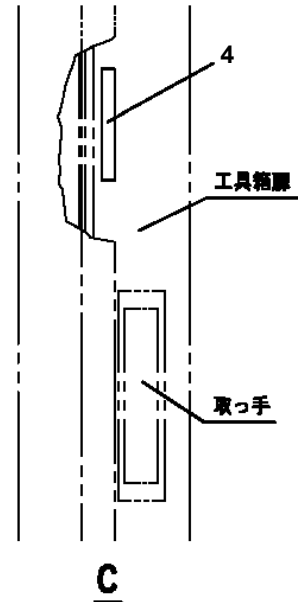
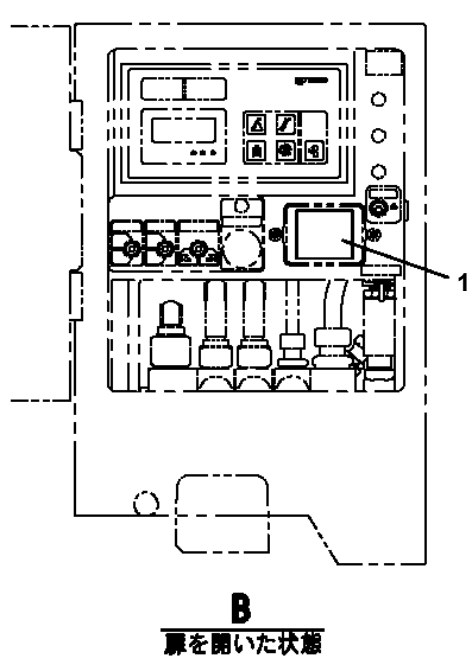
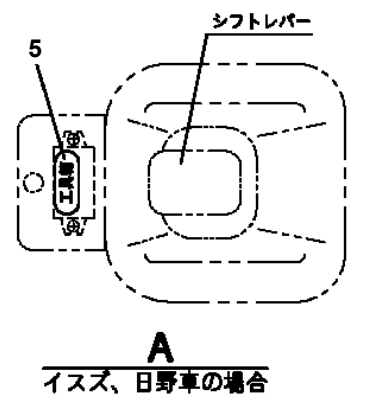
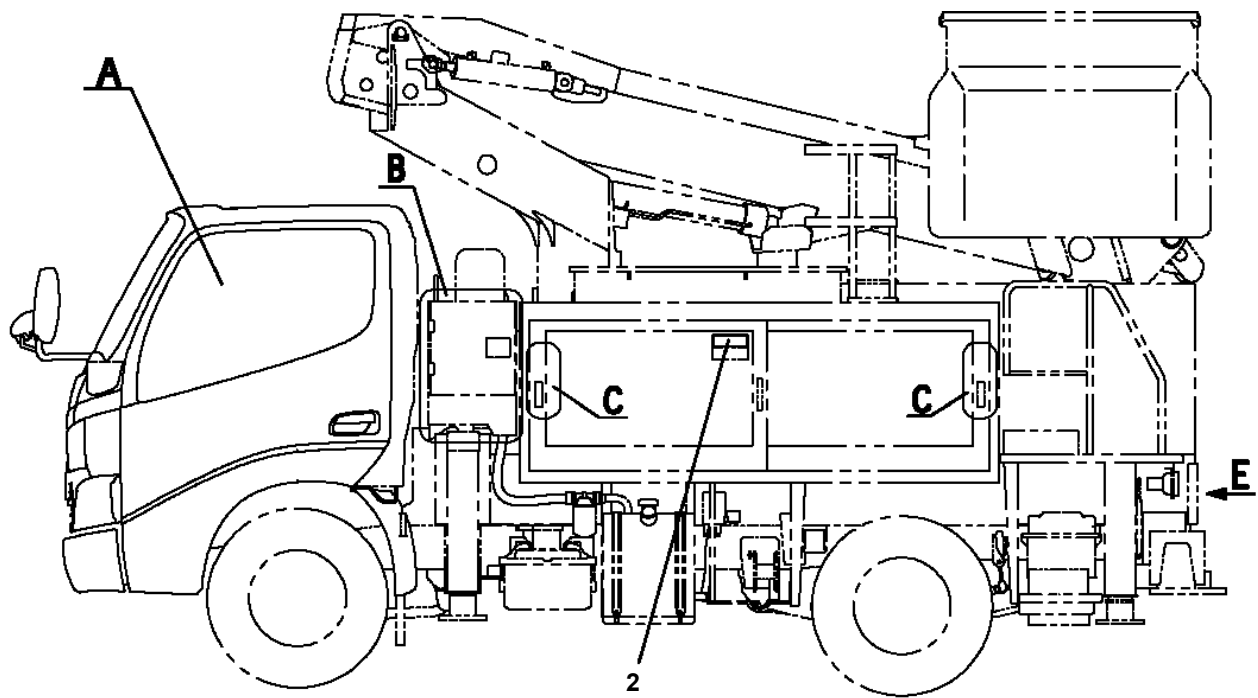
ジャッキ自動水平張出

- 傾斜地ではジャッキが接地しても水平設置できていない場合があります。水準器を確認して個別操作で水平に修正してください。
- ジャッキが接地せずに終了した場合はストップランプが点滅します。そのときは個別操作でジャッキを接地させてください。ランプの点滅は、すべてのジャッキを接地させるか、格納することで消灯します。

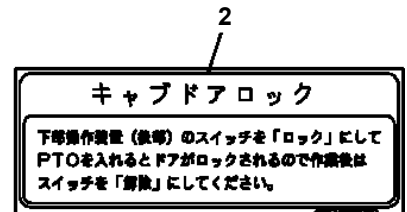
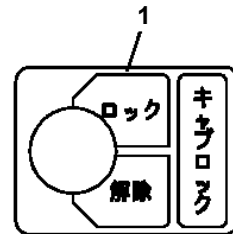
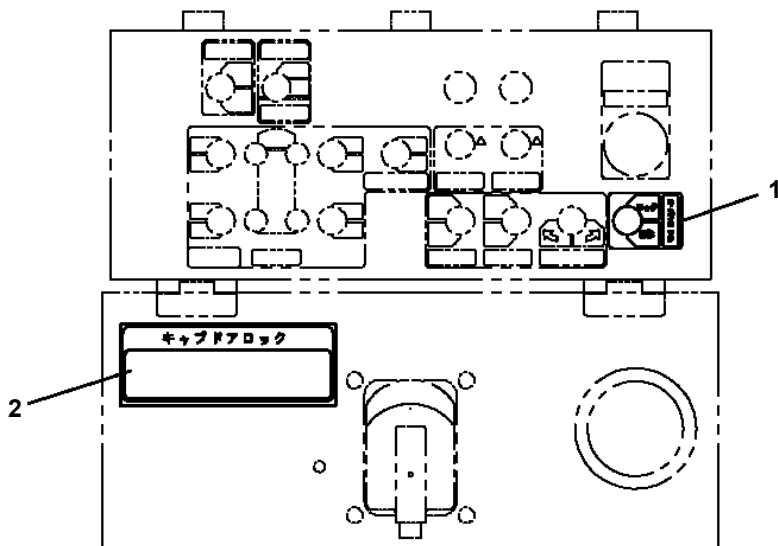
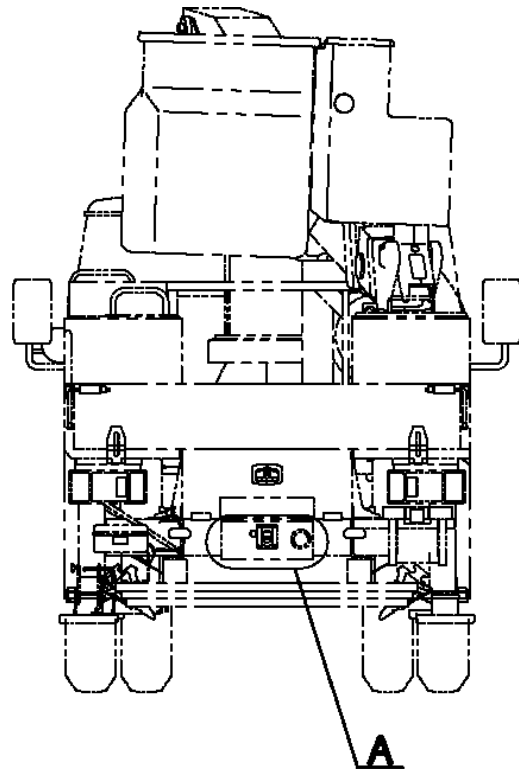
AT-100-5 42063541906 UPPER,LOWER,ISUZU TPG-NKR85AN-EE5AHY-JM

Pos No.	Parts No	Parts Name	Qty	Unit	Technical Data	Serial No (Start)	S
1	42392350070	PLATE,CAUTION	2				
2	42397401080	PLATE,CAUTION (PREOPERATION CHECK)	1				
3	42397401210	PLATE,NAME (TOOL BOX)	2				
4	31397731040	PLATE,CAUTION	1				
5	42397982020	PLATE,NAME (EMERGENCY PUMP OPERATION)	2				
6	42397401020	PLATE,CAUTION (EMERGENCY SWITCH)	1				
7	42393891090	PLATE,CAUTION	1				
8	42397401050	PLATE,NAME (EMERGENCY STOP OPERATION)	1				
9	37002226530	PLATE,NAME	1				
10	37002212700	PLATE,NAME	1				
11	42590221040	PLATE,NAME (BOOM OPERATION)	2				
12	42391720040	PLATE,CAUTION	1				
13	42397401200	PLATE,NAME (CAUTION FOR TRAVELING)	2				
14	42397401060	PLATE,CAUTION (BUCKET HORIZONTAL ADJUST)	1				
15	42590591010	PLATE,NAME	1				
16	12117140000	PLATE,NAME (GREASE)	11				
18	42394441050	PLATE,CAUTION	1				
19	42331782100	PLATE,NAME	1				

AT-100-5 42063541906 UPPER,LOWER,ISUZU TPG-NKR85AN-EE5AHY-JM
 PN5011702-00 NAME PLATE ASSY (FUSE, TOOL BOX CENTRAL LOCK)



AT-100-5 42063541906 UPPER,LOWER,ISUZU TPG-NKR85AN-EE5AHY-JM
 PN5012081-00 NAME PLATE ASSY



A
 (扉を開いた状態)

AT-100-5 42063541906 UPPER,LOWER,ISUZU TPG-NKR85AN-EE5AHY-JM

Pos No.	Parts No	Parts Name	Qty	Unit	Technical Data	Serial No
1	(*****)	NAME PLATE ASSY (VEHICLE,BEHIND BATTERY/MITSUBISHI)	1			
2	(*****)	NAME PLATE ASSY (TADANO,TANK,NON-SLIP,FUSE)	1			
3	(*****)	NAME PLATE ASSY (SWING MARK/BATTERY,BACK OF SWIVEL)	1			
4	(*****)	NAME PLATE ASSY (OPERATION)	1			
5	(*****)	NAME PLATE ASSY (SPECIFICATION)	1			

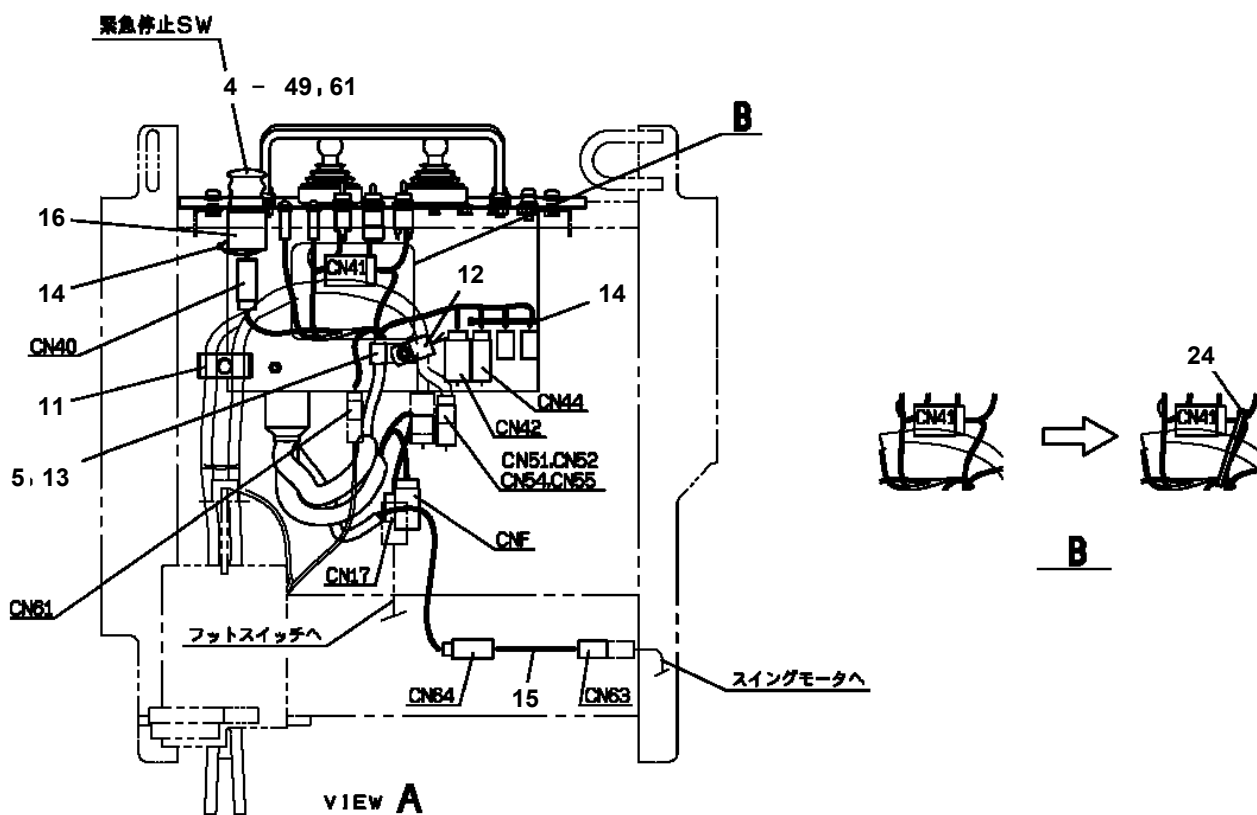
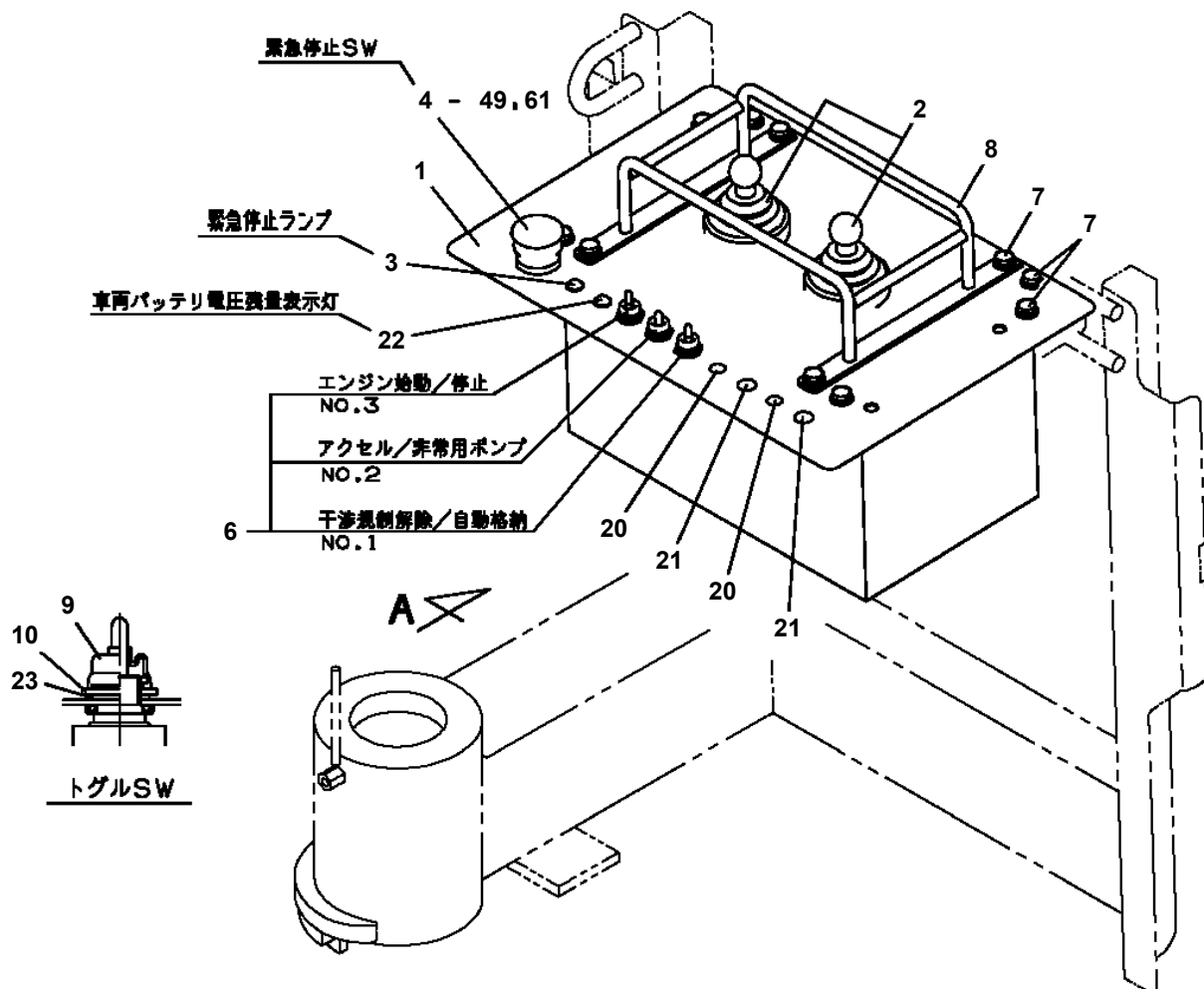
AT-100-5 42063541906 UPPER,LOWER,ISUZU TPG-NKR85AN-EE5AHY-JM

Pos No.	Parts No	Parts Name	Qty	Unit	Technical Data	Serial No (Start)	Serial No (End)	Remarks	Pages
1	42501840010	PLATE,NAME	1						
2	42501840020	PLATE,NAME	1						

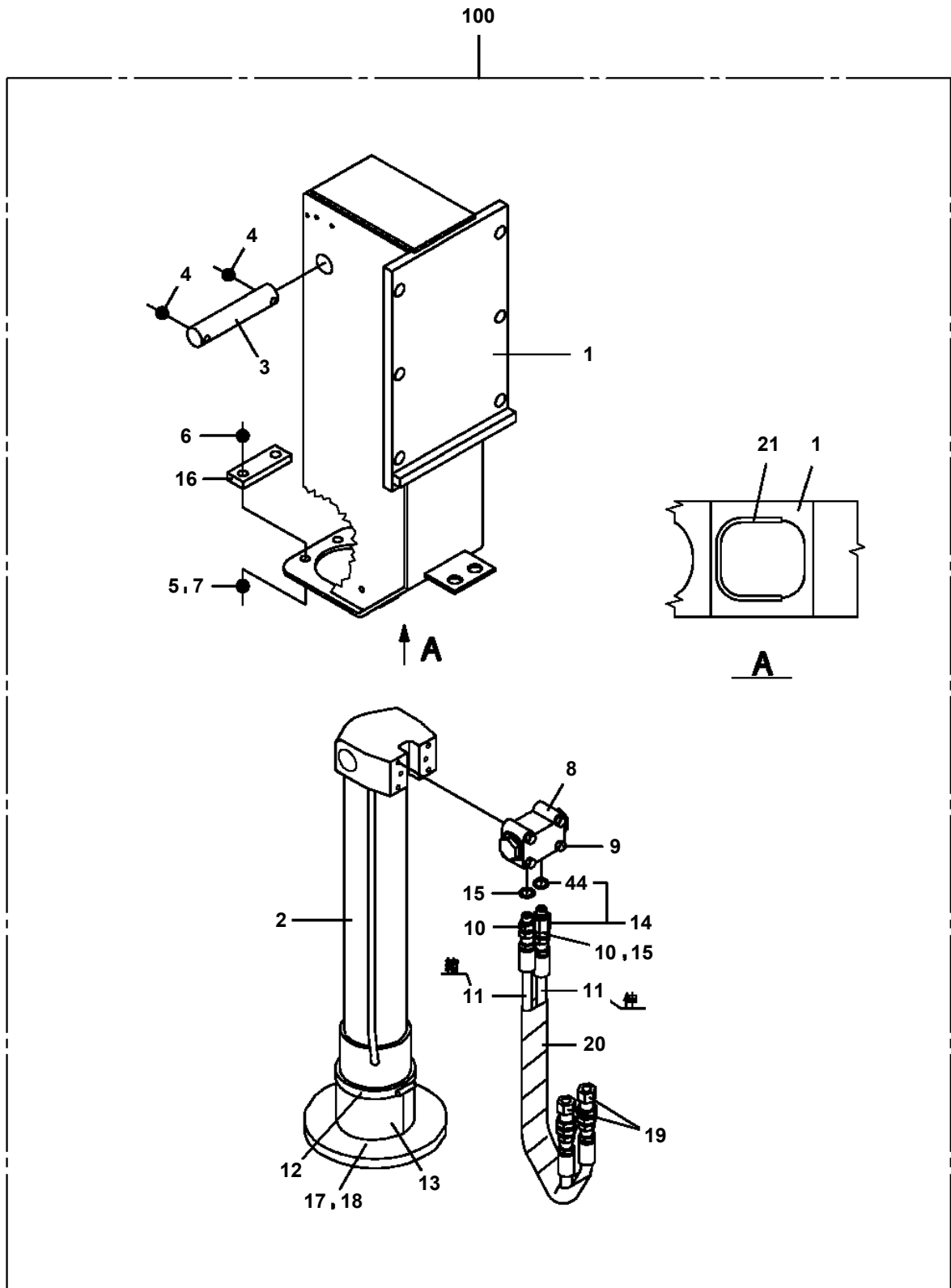
AT-100-5 42063541906 UPPER,LOWER,ISUZU TPG-NKR85AN-EE5AHY-JM

Pos No.	Parts No	Parts Name	Qty	Unit	Technical Data	Serial No (Start)	Serial No (End)	Rema
20	42332677560	SPRING	1					
25	42332677520	PLUG	1					
26	42332677530	BOOT	1					
36	42332677590	STOPPER	1					
41	42332677600	SPRING	2					
45	42332677610	COVER	1					
46	42332677620	CAP	1					
53	42332677630	BEARING	2					
54	42332677540	SPRING	1					
55	42332677650	SPRING	2					
61	42332677660	WASHER	1					
100	42332672003	OPE.ASSY (LEVER,CONTROL)	1					

AT-100-5 42063541906 UPPER,LOWER,ISUZU TPG-NKR85AN-EE5AHY-JM
 PO5050050-00 OPE.ASSY,BUCKET



AT-100-5 42063541906 UPPER,LOWER,ISUZU TPG-NKR85AN-EE5AHY-JM
PO5270220-00 OUTRIGGER ASSY



**AT-100-5 42063541906 UPPER,LOWER,ISUZU TPG-NKR85AN-EE5AHY-JM
PP5330026-00 POWER SUPPLY ASSY (HYBRID SYSTEM,3 MODE,WITH FAN)**

パワーサブライASSY (ハイブリッドシステム,3モード,ファン付き)
POWER SUPPLY ASSY (HYBRID SYSTEM,3 MODE,WITH FAN)

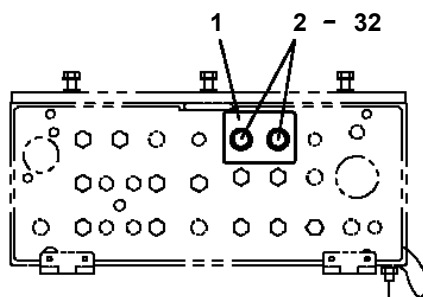
後端ウエイト241kg仕様用ハイブリッドシステム

指示番号 KEY NO.	部品名称 PART NAME	備考 REMARK
1	ハイカンASSY PIPING ASSY	
2	ハイセンASSY ELEC.ASSY	
3	ハイセンASSY,バケツ ELEC.ASSY,BUCKET	
4	マウントASSY MOUNT ASSY	
5	バッテリーチャージャー BATTERY CHARGER	充電器 GSユアサ
6	ネームプレートASSY NAME PLATE ASSY	
7	カイソウASSY MODIFICATION ASSY	フェンダ交換
8	マウントASSY,ウエイト MOUNT ASSY,WEIGHT	後端ウエイト交換 241kg→197kg

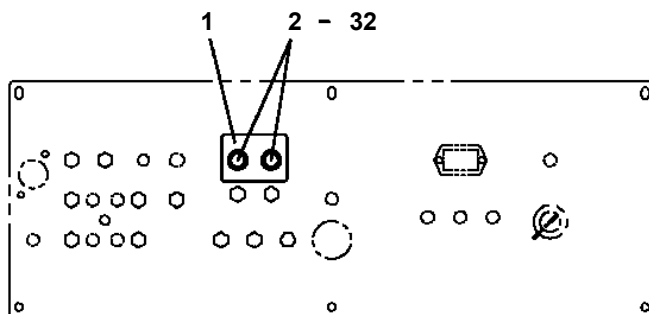
適用製造番号によっては取り付けがないものもあります。

MACHINES OF SOME SERIAL NO. ARE NOT EQUIPPED WITH THESE PARTS.

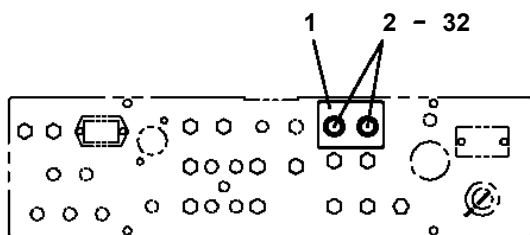
AT-100-5 42063541906 UPPER,LOWER,ISUZU TPG-NKR85AN-EE5AHY-JM
PP5340036-00 POWER SUPPLY ASSY,ELECTRICITY (LOWER,3POLES OUTLET)



(扉を開いた状態)

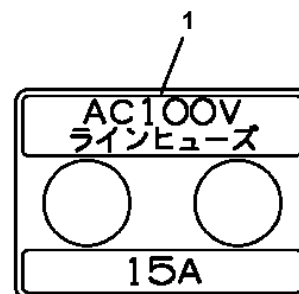


(L仕様の場合)

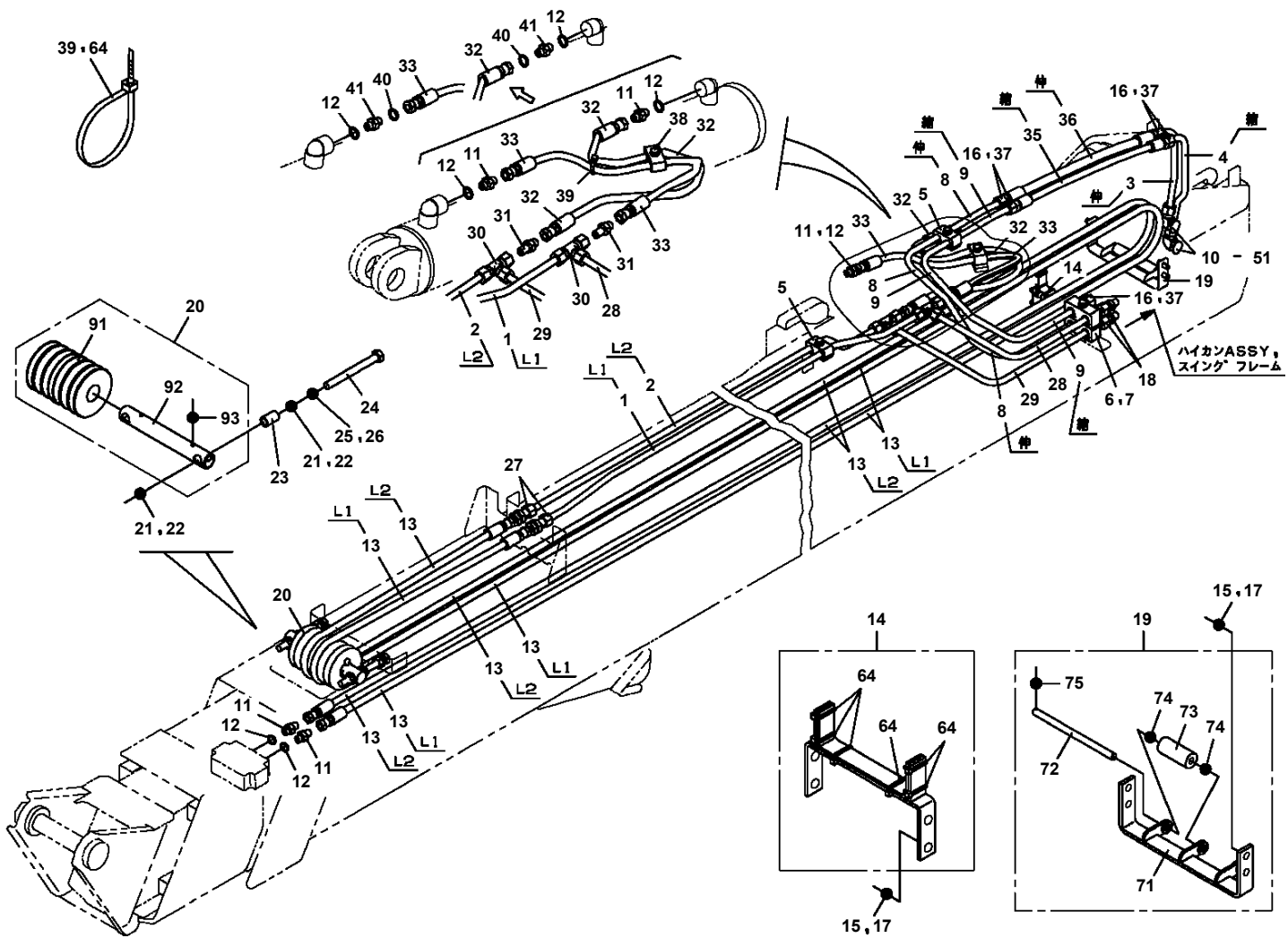


(B仕様の場合)

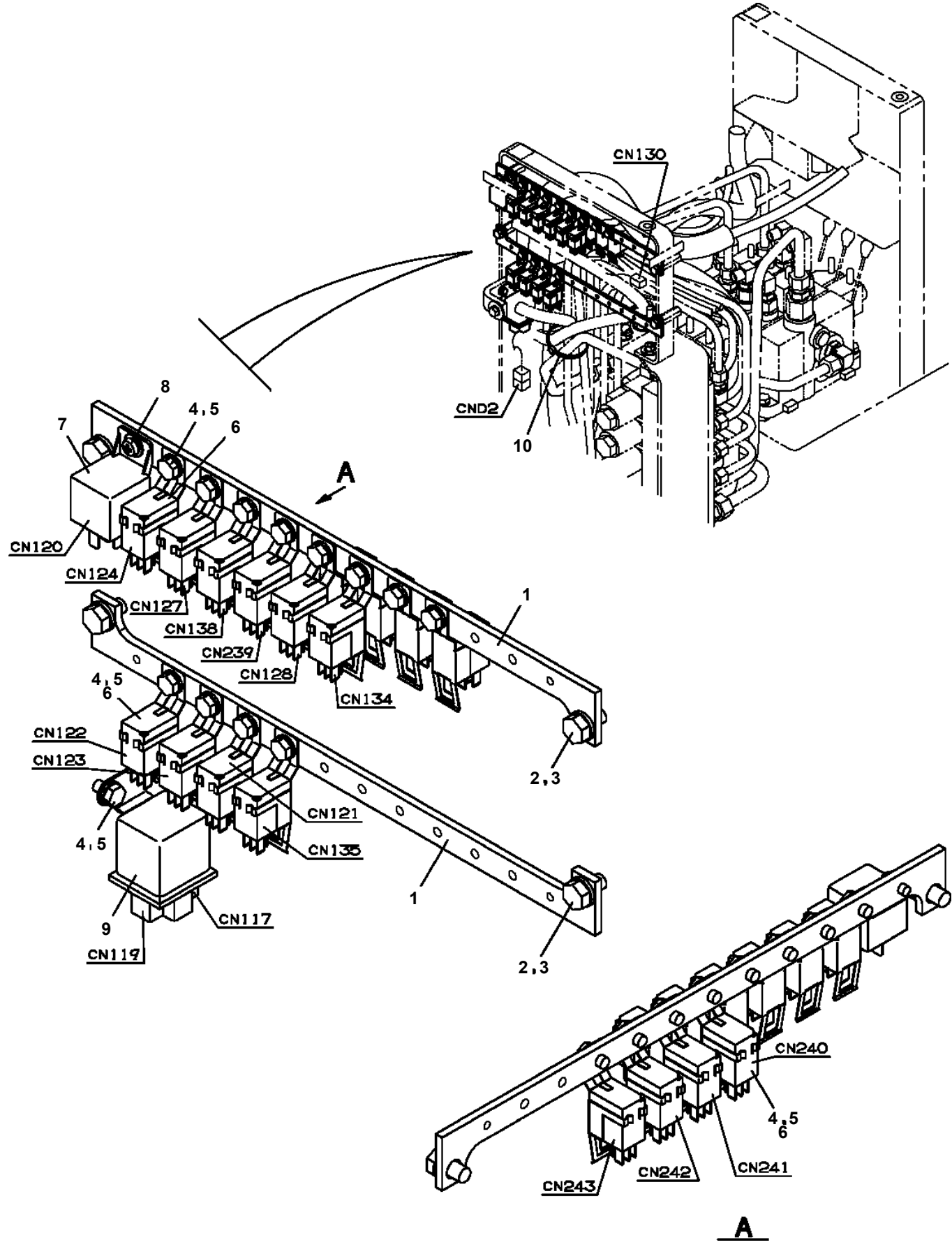
A



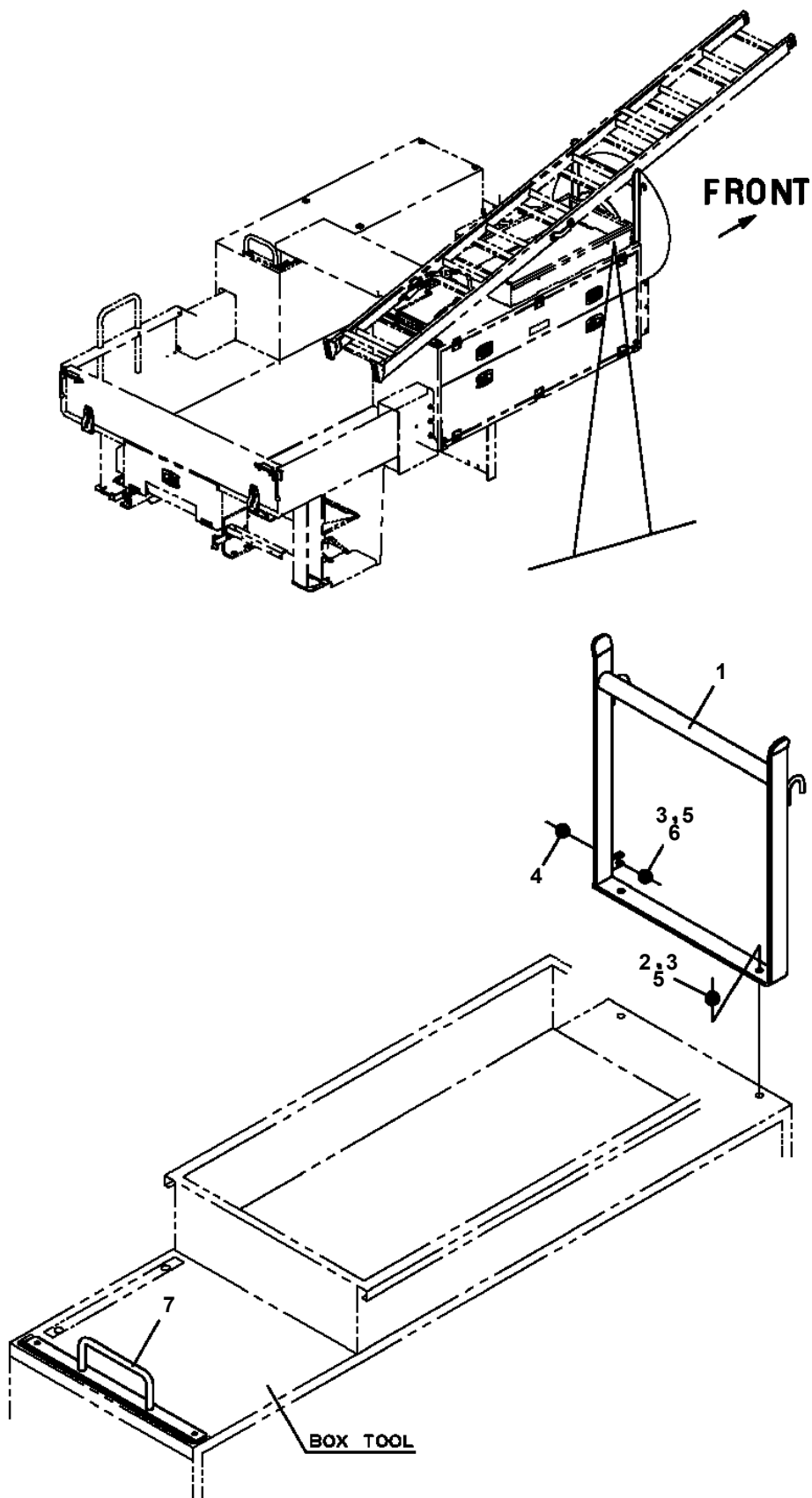
**AT-100-5 42063541906 UPPER,LOWER,ISUZU TPG-NKR85AN-EE5AHY-JM
PP6060007-01 PIPING ASSY,BOOM**



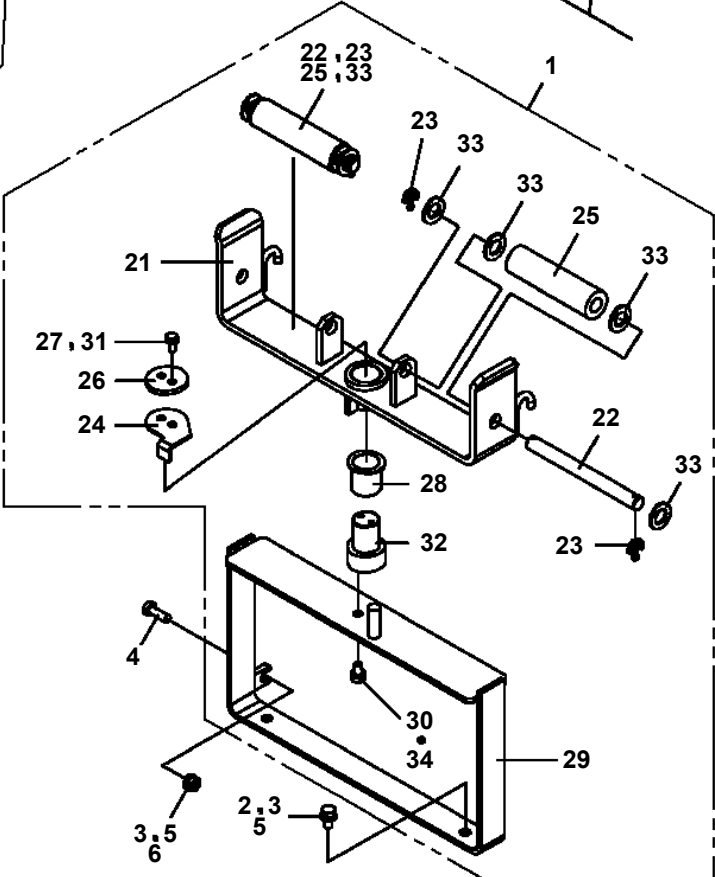
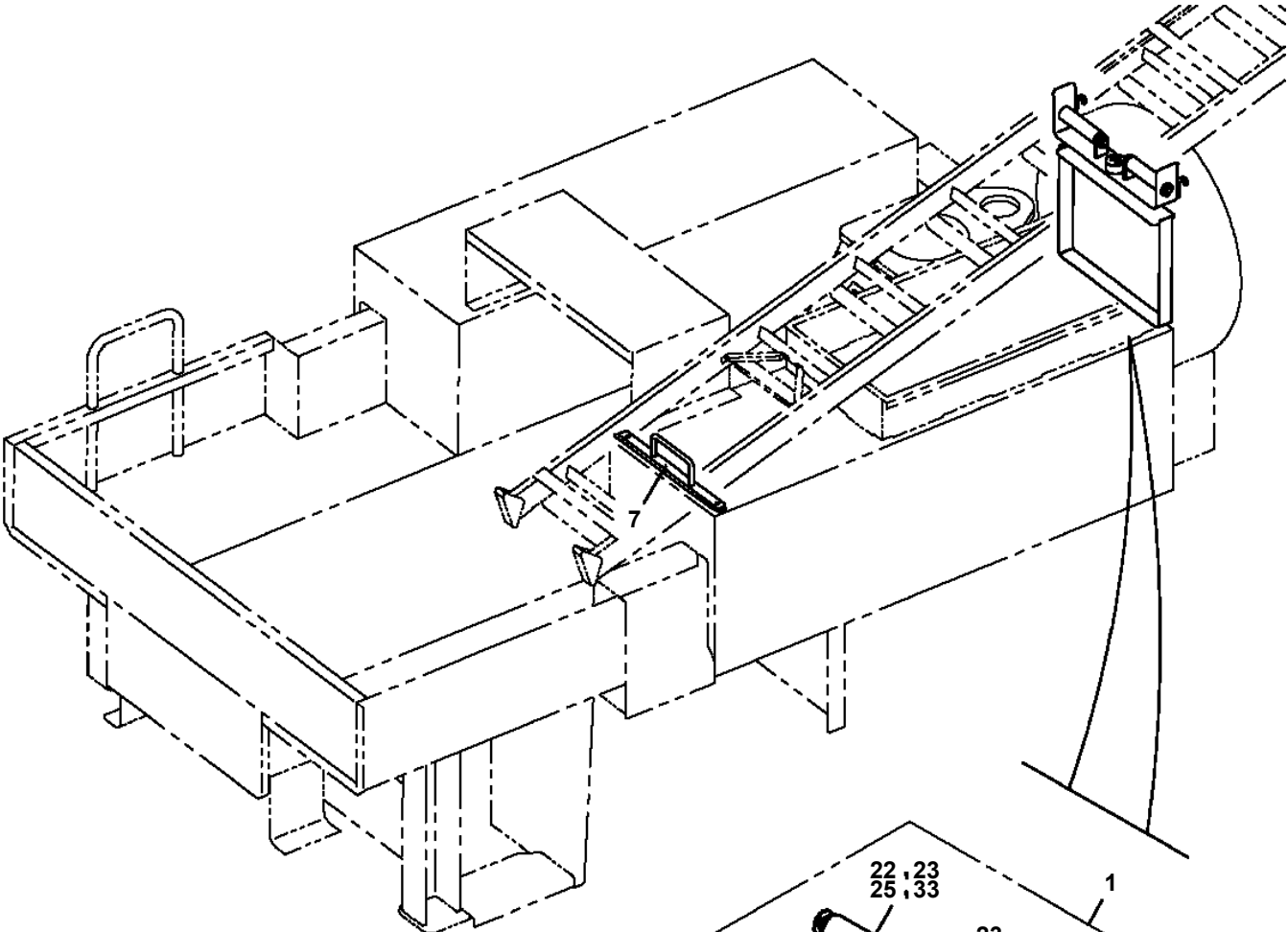
AT-100-5 42063541906 UPPER,LOWER,ISUZU TPG-NKR85AN-EE5AHY-JM
PR5090237-00 RELAY ASSY



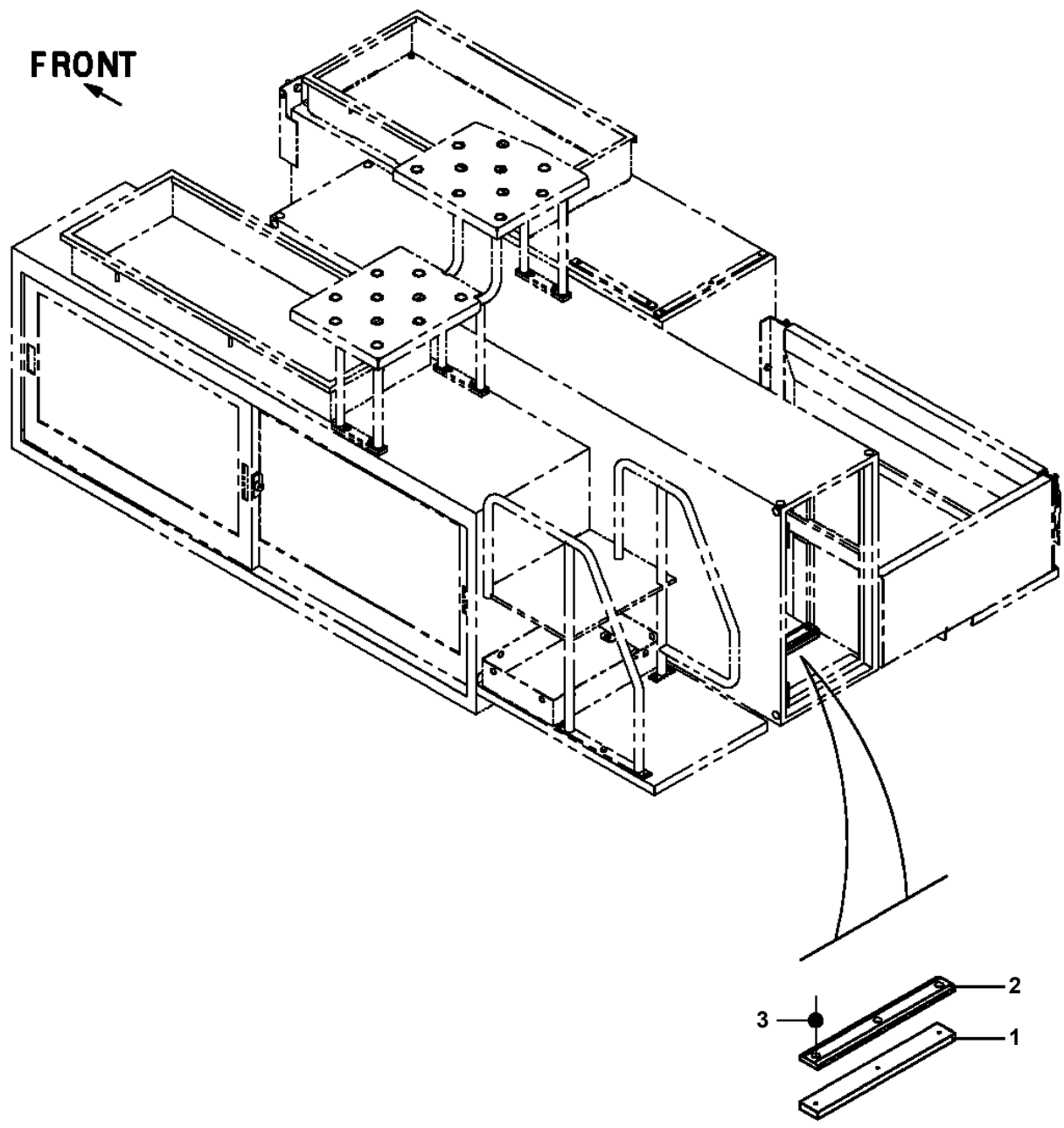
AT-100-5 42063541906 UPPER,LOWER,ISUZU TPG-NKR85AN-EE5AHY-JM
PS5420229-00 SUPPORT ASSY (2-DECK TOOL BOX: FIXED LADDER REST)



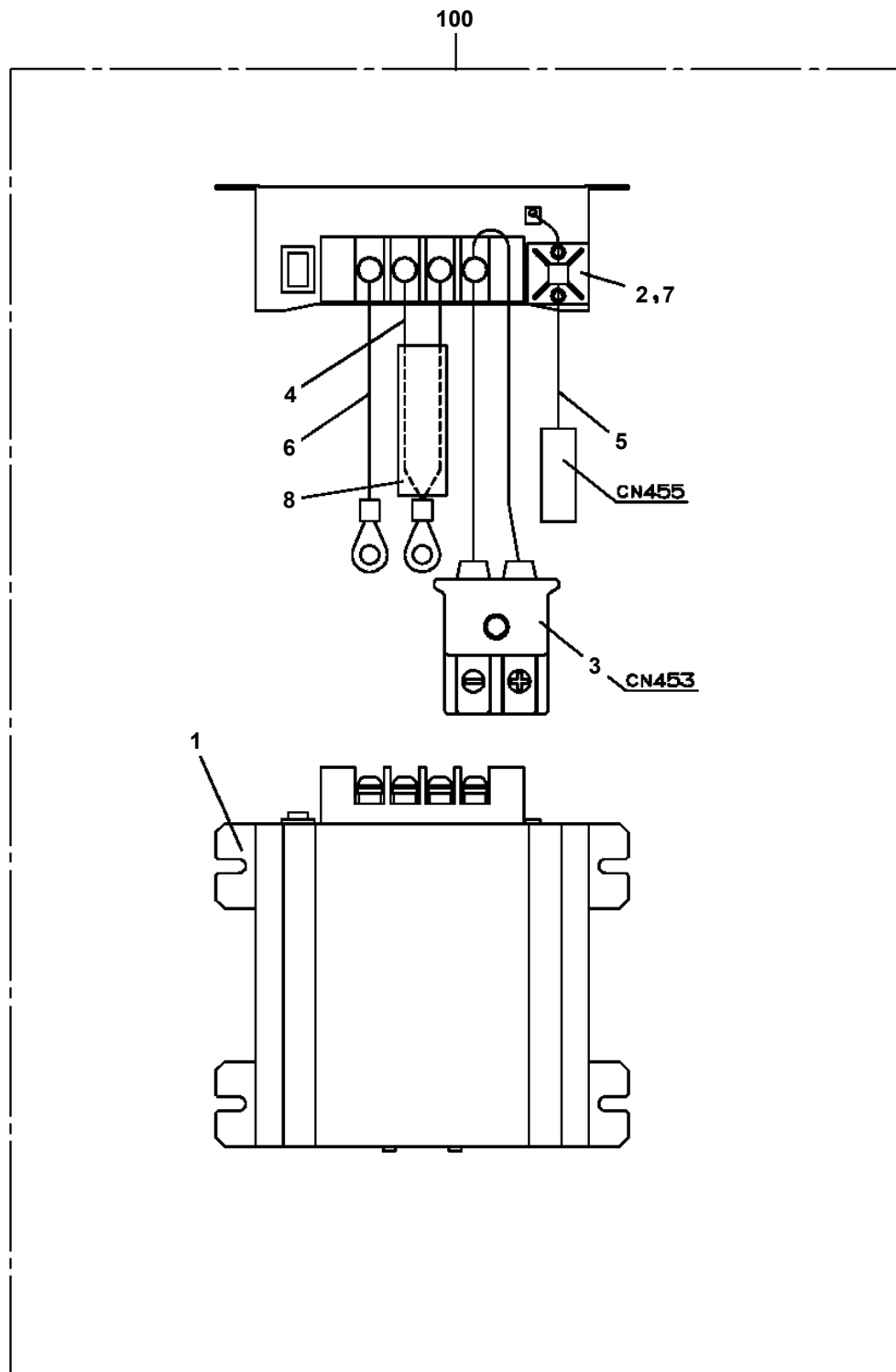
**AT-100-5 42063541906 UPPER,LOWER,ISUZU TPG-NKR85AN-EE5AHY-JM
PS5420267-00 SUPPORT ASSY (2-DECKER:ROTARY RADDER REST)**



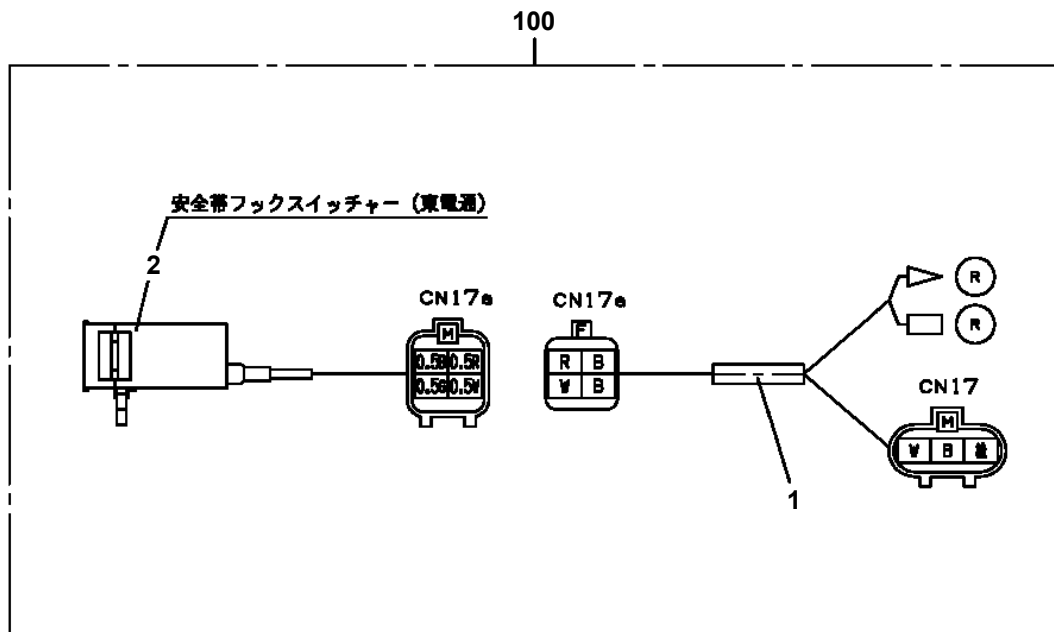
AT-100-5 42063541906 UPPER,LOWER,ISUZU TPG-NKR85AN-EE5AHY-JM
PS5420509-00 SUPPORT ASSY (DANKITI BUFFER,30MM)



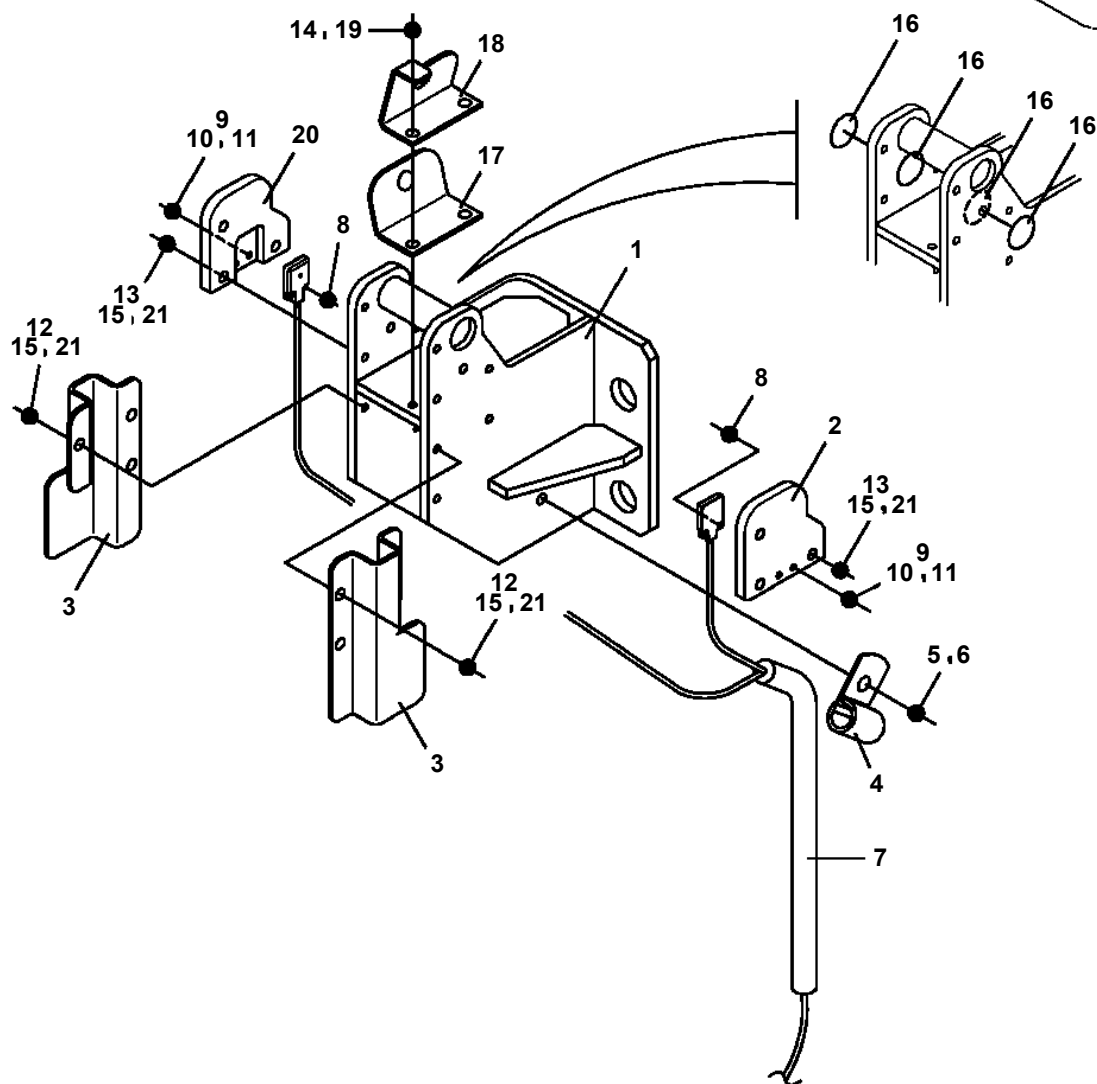
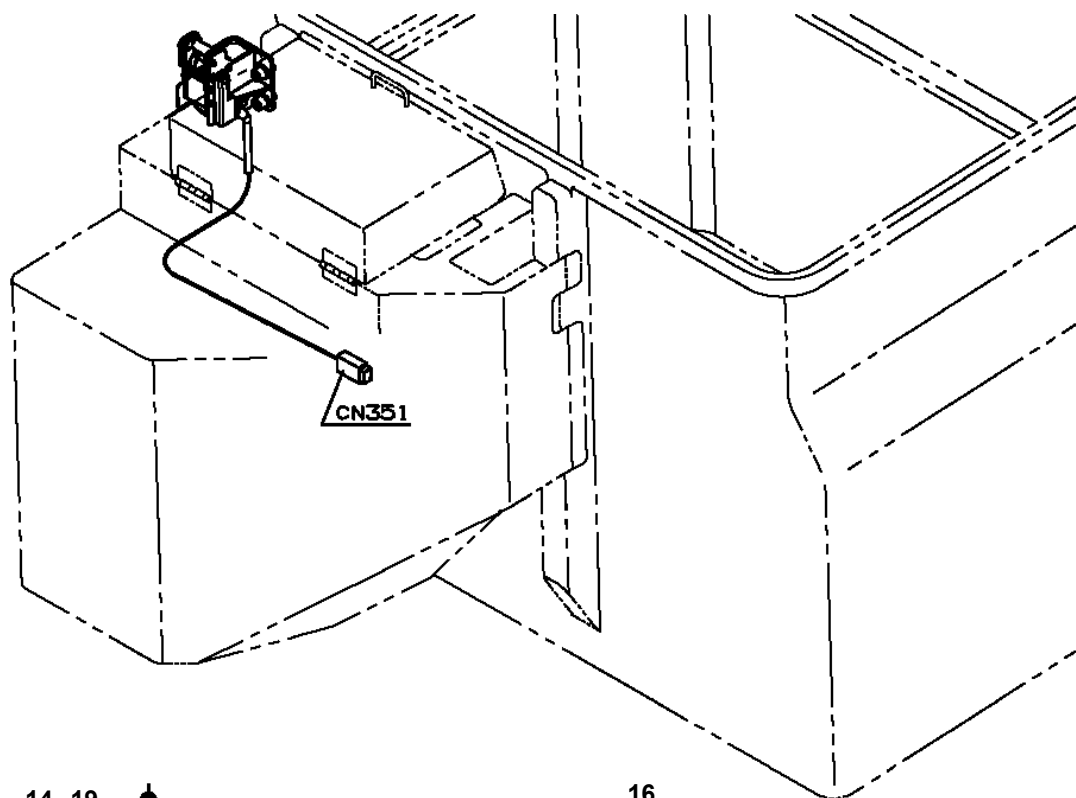
AT-100-5 42063541906 UPPER,LOWER,ISUZU TPG-NKR85AN-EE5AHY-JM
PS5530195-00 SWITCH ASSY



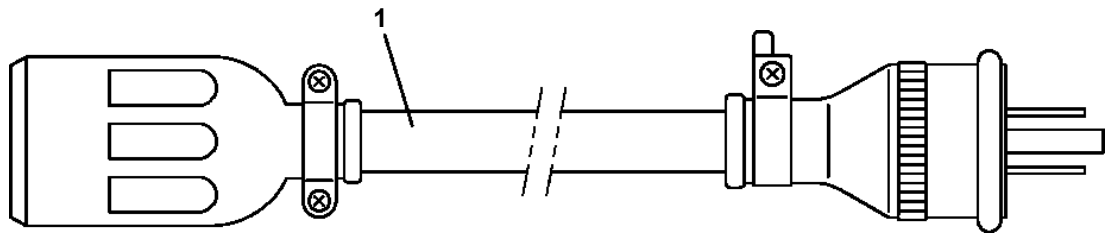
AT-100-5 42063541906 UPPER,LOWER,ISUZU TPG-NKR85AN-EE5AHY-JM
PS5530411-00 SWITCH ASSY



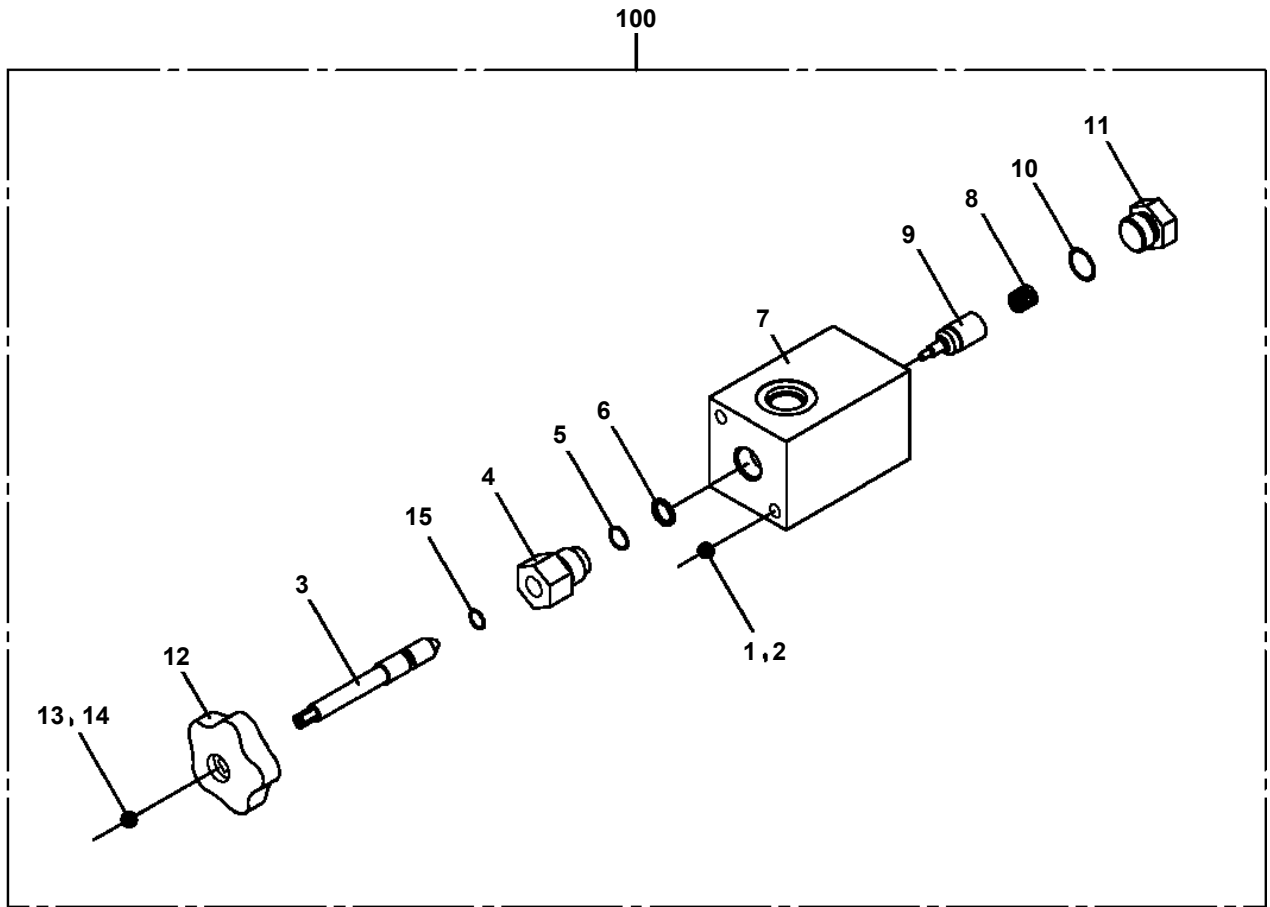
AT-100-5 42063541906 UPPER,LOWER,ISUZU TPG-NKR85AN-EE5AHY-JM
PS5530421-00 SWITCH ASSY



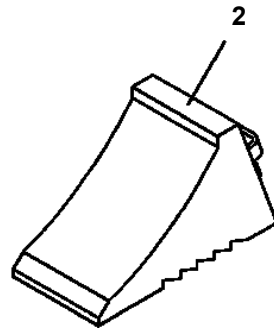
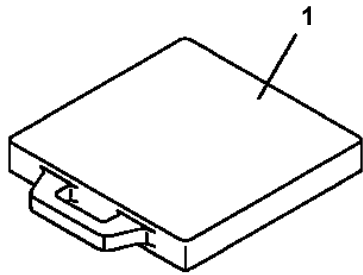
**AT-100-5 42063541906 UPPER,LOWER,ISUZU TPG-NKR85AN-EE5AHY-JM
PV1300020-00 CABLE (3 POLE)**



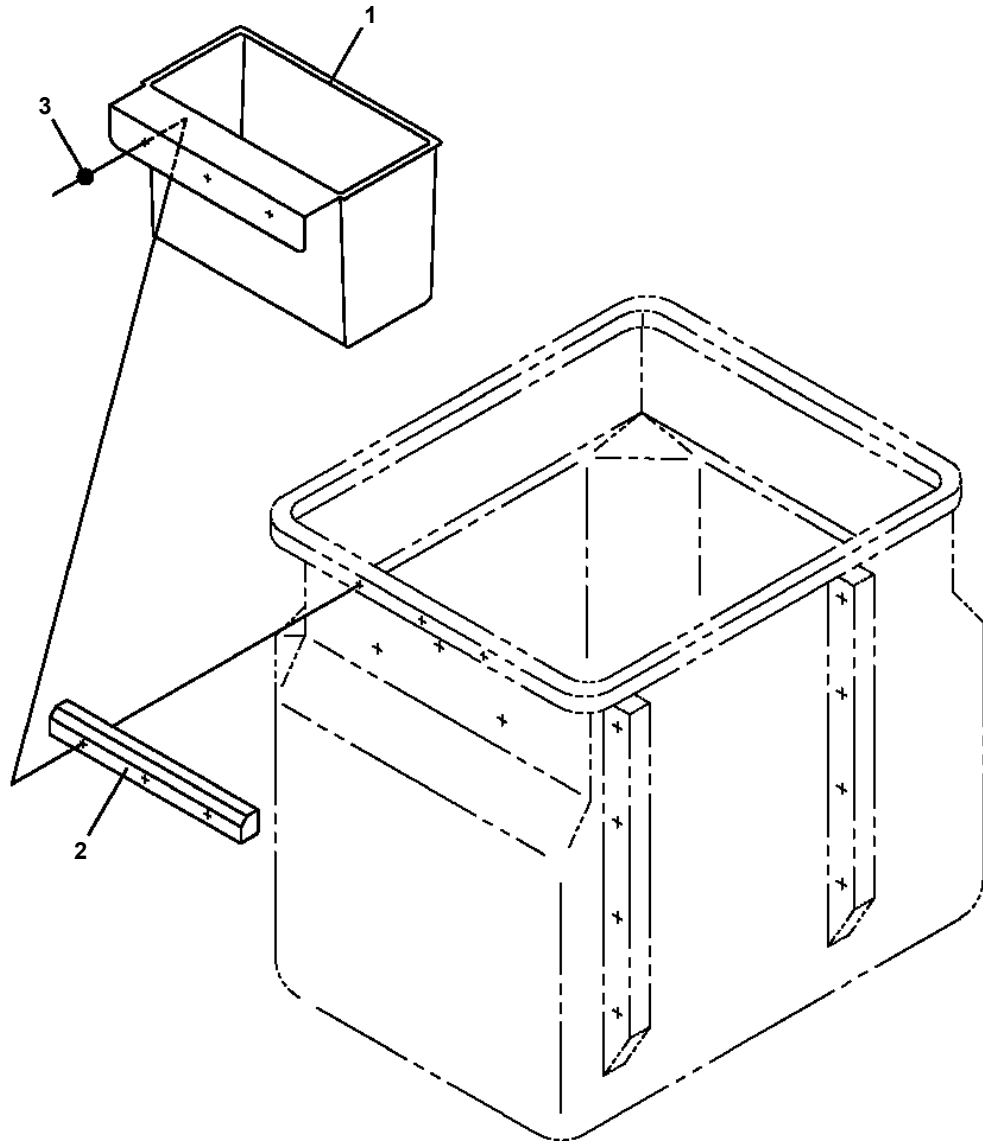
AT-100-5 42063541906 UPPER,LOWER,ISUZU TPG-NKR85AN-EE5AHY-JM
PV5170018-00 VALVE ASSY,SELECTOR



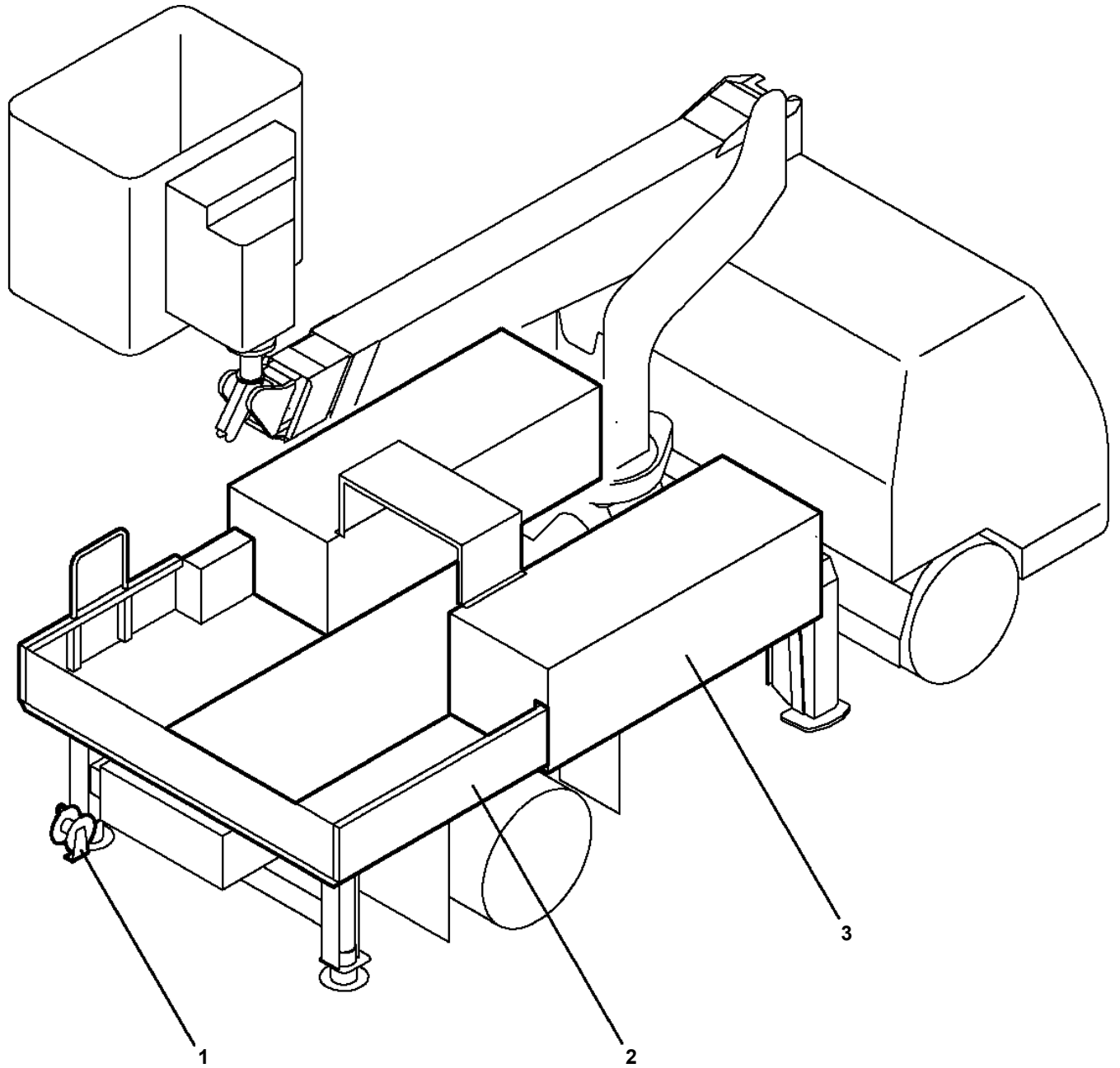
**AT-100-5 42063541906 UPPER,LOWER,ISUZU TPG-NKR85AN-EE5AHY-JM
PW1010433-00 ACCESSORIES**



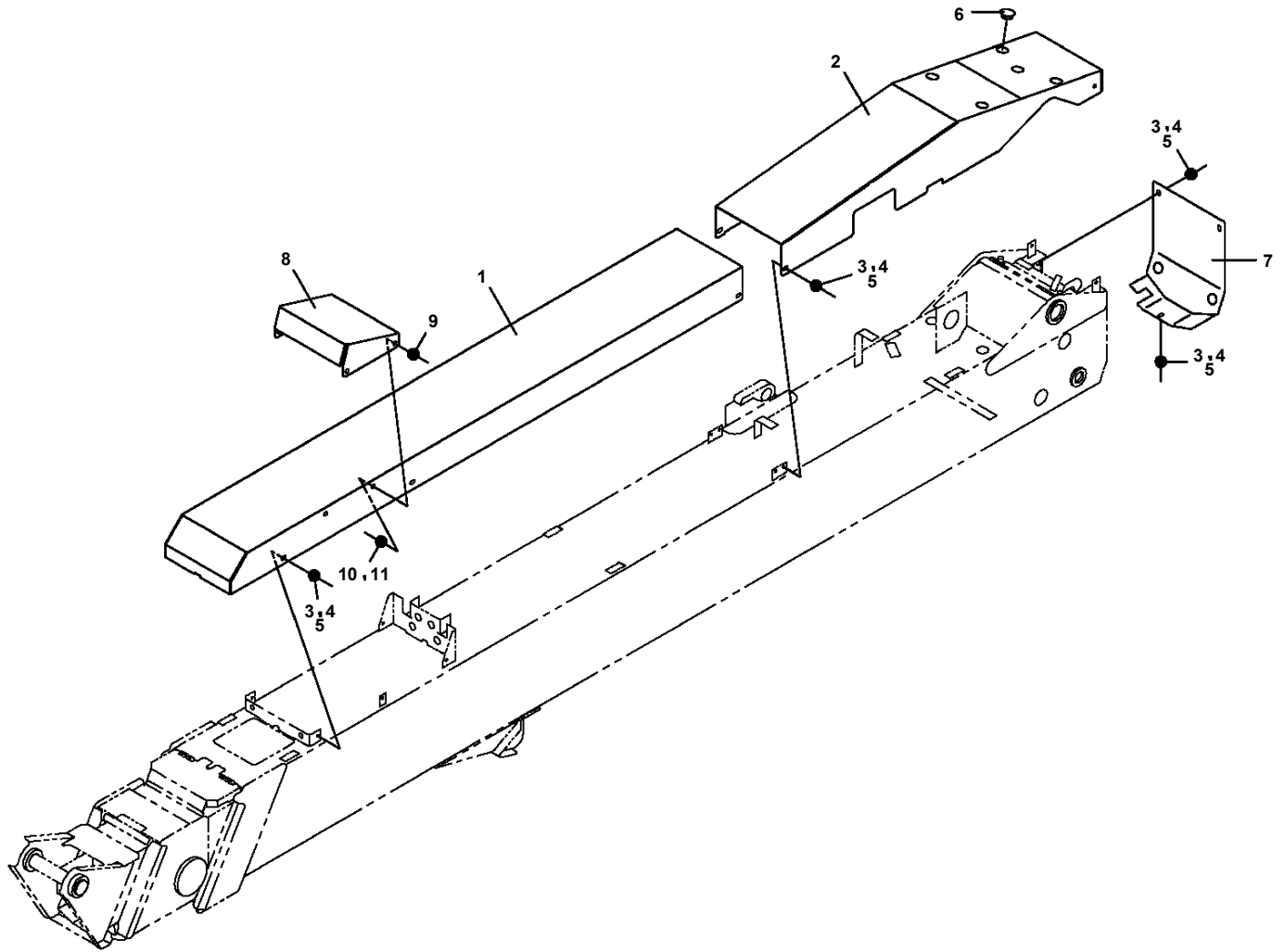
**AT-100-5 42063541906 UPPER,LOWER,ISUZU TPG-NKR85AN-EE5AHY-JM
PX1350803-00 BOX,TOOL (NEO KANSAI/BUCKET)**



**AT-100-5 42063541906 UPPER,LOWER,ISUZU TPG-NKR85AN-EE5AHY-JM
PX3000802-00 MOUNTING UNIT**



**AT-100-5 42063541906 UPPER,LOWER,ISUZU TPG-NKR85AN-EE5AHY-JM
PX5260010-00 MOUNT ASSY,COVER**



AT-100-5 42063541906 UPPER,LOWER,ISUZU TPG-NKR85AN-EE5AHY-JM

Pos No.	Parts No	Parts Name	Qty	Unit	Technical Data	Serial No (Start)	Serial No (End)	Remarks	Pages
1	42812160020	SUPPORT	1						
2	90101210016	BOLT	2		M10X16				
3	90302041001	WASHER,SPRING	2		10				

AT-100-5 42063541906 UPPER,LOWER,ISUZU TPG-NKR85AN-EE5AHY-JM

Pos No.	Parts No	Parts Name	Qty	Unit	Technical Data	Serial No (Start)	Serial No (End)	Remarks	Page
1	42443811000	JOINT ASSY,SWIVEL	1						000
2	90171112028	BOLT	2		M12X28				
3	90302041201	WASHER,SPRING	2		12				
4	42442800100	PLATE	1						

AT-100-5 42063541906 UPPER,LOWER,ISUZU TPG-NKR85AN-EE5AHY-JM

Pos No.	Parts No	Parts Name	Qty	Unit	Technical Data	Serial No (Start)	Serial No (End)	Remarks	Pages
1	42839113002	BOX,TOOL	1						000034
2	42839111001	BOX,TOOL	1						000031
3	90101210025	BOLT	8		M10X25				
4	90302041001	WASHER,SPRING	8		10				
5	37000505950	PLATE	8		T=3.2				
6	42839110200	SUPPORT	1						
7	90101208014	BOLT	8		M8X14				
8	42839110100	SUPPORT	2						
11	90302040801	WASHER,SPRING	8		8				
13	37000547660	PLATE	4		T=2.3				
31	42398701010	PLATE,CAUTION	2						

AT-100-5 42063541906 UPPER,LOWER,ISUZU TPG-NKR85AN-EE5AHY-JM

Pos No.	Parts No	Parts Name	Qty	Unit	Technical Data	Serial No (Start)	Serial No (End)	Remarks	Pages
1	42839503001	BOX,TOOL	1						000033
2	42839111001	BOX,TOOL	1						000031
3	90101210025	BOLT	8		M10X25				
4	90302041001	WASHER,SPRING	8		10				
5	37000505950	PLATE	8		T=3.2				
6	42839110200	SUPPORT	1						
7	90101208014	BOLT	8		M8X14				
8	42839110100	SUPPORT	2						
11	90302040801	WASHER,SPRING	8		8				
12	37000547660	PLATE	4		T=2.3				
31	42398701010	PLATE,CAUTION	2						

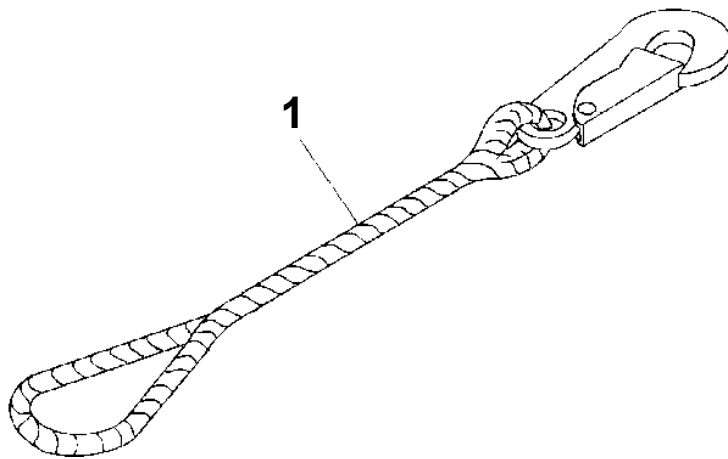
AT-100-5 42063541906 UPPER,LOWER,ISUZU TPG-NKR85AN-EE5AHY-JM

Pos No.	Parts No	Parts Name	Qty	Unit	Technical Data	Serial No (Start)	Serial No (End)	Remarks	Pages
2	42839111001	BOX,TOOL	1						000031
3	90101210025	BOLT	8		M10X25				
4	90302041001	WASHER,SPRING	8		10				
5	37000505950	PLATE	8		T=3.2				
6	42910872000	SUPPORT	1						
7	90101208014	BOLT	8		M8X14				
8	42839110100	SUPPORT	2						
11	90302040801	WASHER,SPRING	8		8				
13	37000547660	PLATE	4		T=2.3				
14	42910871000	BOX,TOOL	1						000040
31	42398701010	PLATE,CAUTION	2						

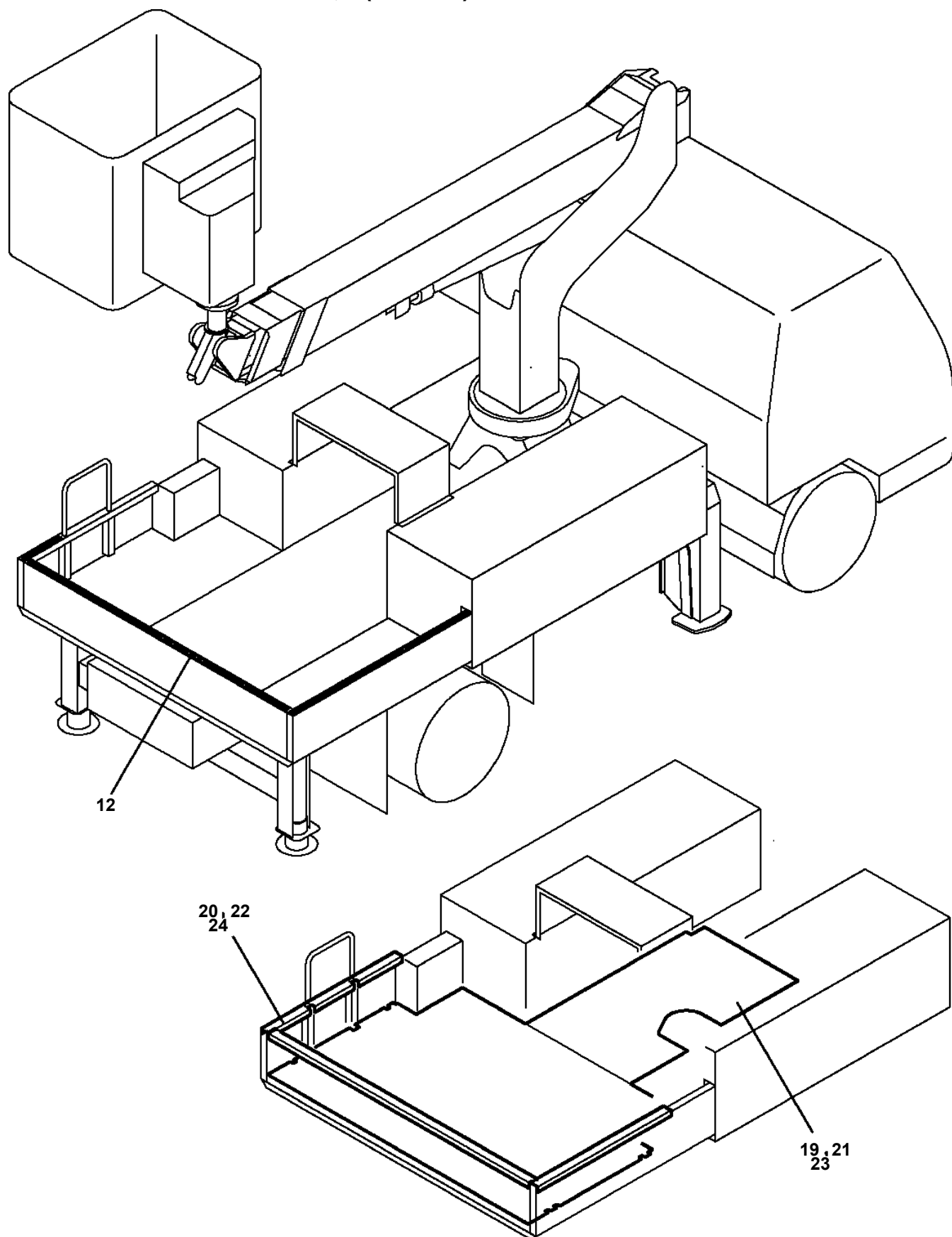
AT-100-5 42063541906 UPPER,LOWER,ISUZU TPG-NKR85AN-EE5AHY-JM

Pos No.	Parts No	Parts Name	Qty	Unit	Technical Data	Serial No (Start)	Serial No (End)	Remarks	Pages
1	42973763100	WEIGHT	1				HK2779		
	42973763101	WEIGHT	1			HK2780			

**AT-100-5 42063541906 UPPER,LOWER,ISUZU TPG-NKR85AN-EE5AHY-JM
PY1070001-00 ROPE (SAFETY,1.5M,WITH HOOK)**



**AT-100-5 42063541906 UPPER,LOWER,ISUZU TPG-NKR85AN-EE5AHY-JM
PY2000288-00 OPTION UNIT,2 (UPPER)**



適用製造番号によっては取り付けがないものもあります。

MACHINES OF SOME SERIAL NO. ARE NOT EQUIPPED WITH THESE PARTS.

**AT-100-5 42063541906 UPPER,LOWER,ISUZU TPG-NKR85AN-EE5AHY-JM
PY4000062-02 OPTION UNIT,1 (LOWER)**

符号	日本語名称	英語名称	備考
33	ネームプレートASSY	NAME PLATE ASSY	積載銘板 (最大積載量 350kg)
34	ネームプレートASSY	NAME PLATE ASSY	積載銘板 (最大積載量 250kg)
35	サポートASSY	SUPPORT ASSY	梯子傷付き防止プレート (工具箱上部梯子受け)
36	ビューシステム	VIEW SYSTEM	日本コムシス向け：後方確認用Panasonic製カメラ (カメラ及びケーブルのみ) ディスプレイは出先対応
37	ハイセンASSY	ELEC.ASSY	キャブロック装置 (イスズ車架装用)

適用製造番号によっては取り付けがないものもあります。

MACHINES OF SOME SERIAL NO. ARE NOT EQUIPPED WITH THESE PARTS.

CLICK HERE TO **DOWNLOAD** THE COMPLETE MANUAL

- Thank you very much for reading the preview of the manual.
- You can download the complete manual from: www.heydownloads.com by clicking the link below



- Please note: If there is no response to CLICKING the link, please download this PDF first and then click on it.

CLICK HERE TO **DOWNLOAD** THE COMPLETE MANUAL