

AT-100-5 42063540231 UPPER,LOWER,ISUZU TKG-NKR85AN-EE5AHY-JM
PB0000275-02 UPPER STRUCTURE SYSTEM
PB0000500-02 LOWER STRUCTURE SYSTEM
ASSEMBLY

CLICK HERE TO **DOWNLOAD** THE COMPLETE MANUAL

- Thank you very much for reading the preview of the manual.
- You can download the complete manual from: www.heydownloads.com by clicking the link below



- Please note: If there is no response to CLICKING the link, please download this PDF first and then click on it.

CLICK HERE TO **DOWNLOAD** THE COMPLETE MANUAL

AT-100-5 42063540231 UPPER,LOWER,ISUZU TKG-NKR85AN-EE5AHY-JM

PN5010959-00 NAME PLATE ASSY (MAXIMUM LOADING CAPACITY:450KG)
PN5011063-00 NAME PLATE ASSY (TOOL BOX CENTRAL LOCK)
PN5011167-00 NAME PLATE ASSY (JACK HORIZONTAL)
PN5011168-00 NAME PLATE ASSY (VEHICLE HEIGHT)
PN5011170-00 NAME PLATE ASSY (WEDGE INTERLOCK)
PN5011171-00 NAME PLATE ASSY (VOICE ALARM)
PN5011255-00 NAME PLATE ASSY (NON-SLIP)
PN5011267-01 NAME PLATE ASSY (JACK HORIZONTAL)
PN5011326-00 NAME PLATE ASSY (3RD BRAKE INTERLOCK)
PN5011597-00 NAME PLATE ASSY (MAXIMUM LOADING CAPACITY:250KG)
PN5011598-00 NAME PLATE ASSY (MAXIMUM LOADING CAPACITY:350KG)
PO1000182-00 INDICATION PLATES (UPPER)
PO1000183-00 INDICATION PLATES (LOWER)
PO1013121-01 PLATE ASSY,NAME (HYDRAULIC OIL)
PO1014399-04 PLATE ASSY,NAME (VEHICLE HEIGHT,CAPACITY,AIR PRESSURE)
PO1014484-00 PLATE ASSY,NAME (NTT-NEOMEIT)
PO1014634-01 PLATE ASSY,NAME (OIL/COLD DISTRICT)
PO1090061-00 NON-SLIP PLATE (NTT SHIKOKU)
PO5010010-00 OPE.ASSY (LEVER,CONTROL)
PO5010015-01 OPE.ASSY
PO5010017-00 OPE.ASSY
PO5010027-02 OPE.ASSY (LEVER,CONTROL)
PO5010029-00 OPE.ASSY
PO5050038-01 OPE.ASSY,BUCKET (WITH 2-AXIS ENABLE SW)
PO5050039-01 OPE.ASSY,BUCKET (WITH 3-AXIS ENABLE SW)
PO5050041-01 OPE.ASSY,BUCKET
PO5050042-01 OPE.ASSY,BUCKET
PO5080088-02 OPE.ASSY,CONT.VALVE
PO5270122-01 OUTRIGGER ASSY (GUIDE TYPE JACK)
PO5270123-00 OUTRIGGER ASSY
PO5270124-00 OUTRIGGER ASSY
PO5270159-00 OUTRIGGER ASSY
PO5270160-00 OUTRIGGER ASSY
PO5270218-00 OUTRIGGER ASSY (GUIDE TYPE JACK)
PP5330009-00 POWER SUPPLY ASSY (HYBRID SYSTEM)
PP5330015-00 POWER SUPPLY ASSY (HYBRID SYSTEM,3 MODE,WITH FAN)
PP5330019-00 POWER SUPPLY ASSY (HYBRID SYSTEM,3 MODE,WITH FAN)
PP5330025-00 POWER SUPPLY ASSY (HYBRID SYSTEM,3 MODE,WITH FAN)
PP5340009-01 POWER SUPPLY ASSY,ELECTRICITY (LOWER,2POLES OUTLET)
PP5340013-00 POWER SUPPLY ASSY,ELECTRICITY (HYBRID/2-POLES OUTLET)
PP5340019-00 POWER SUPPLY ASSY,ELECTRICITY (BUCKET/100V 3POLES)
PP5340024-00 POWER SUPPLY ASSY,ELECTRICITY (LOWER,3POLES OUTLET)
PP5340025-00 POWER SUPPLY ASSY,ELECTRICITY (HYBRID/3-POLES OUTLET)
PP5340028-00 POWER SUPPLY ASSY,ELECTRICITY
PP5340029-01 POWER SUPPLY ASSY,ELECTRICITY (LOWER/INVERTER)
PP5340030-01 POWER SUPPLY ASSY,ELECTRICITY (LOWER/POWER TAKEOUT)
PP5340034-00 POWER SUPPLY ASSY,ELECTRICITY (LOWER,3POLES OUTLET)
PP5340036-00 POWER SUPPLY ASSY,ELECTRICITY (LOWER,3POLES OUTLET)
PP5420012-02 PUMP ASSY,OIL
PP5450004-00 PUMP,GREASE (400CC)
PP6010236-01 PIPING ASSY
PP6010255-01 PIPING ASSY
PP6060007-01 PIPING ASSY,BOOM
PP6130021-00 PIPING ASSY,FRAME
PP6130040-00 PIPING ASSY,FRAME
PP6210016-03 PIPING ASSY,MOUNTING
PP6330005-03 PIPING ASSY,SWING FRAME
PR5090141-01 RELAY ASSY
PR5090142-00 RELAY ASSY
PR5100062-00 RELAY BOX ASSY
PR5210001-00 RELAY (WITH HARNESS)
PR5210002-00 RELAY
PR5210003-00 RELAY
PS5360014-00 STEP ASSY

AT-100-5 42063540231 UPPER,LOWER,ISUZU TKG-NKR85AN-EE5AHY-JM

Pos No.	Parts No	Parts Name	Qty	Unit	Technical Data	Serial No (Start)	Serial No (End)	Remarks
1	36654115010	MOTOR ASSY	1					
3	36652625020	CAP (TERMINAL)	1					
5	36654115030	BOLT,HEXAGON SOCKET	2		M8X40			
6	36654205020	WASHER	2					
7	36654205030	NUT	2					
8	36652025040	O-RING	1		S55			
9	36652625030	VALVE,CHECK	1					
10	36652625040	PUMP ASSY	1					
12	44550417800	WASHER,SPRING (M8)	2					
20	36654115040	CABLE ASSY	1					
27	36652665060	O-RING	1		P8			
29	36652665050	O-RING	1		P14			
33	19215105160	SEAL,OIL	1					
34	36652665020	RING,RETAINING	1					
41	36654115020	CONTACTOR	1					
100	36654110000	PUMP,HYDRAULIC	1					

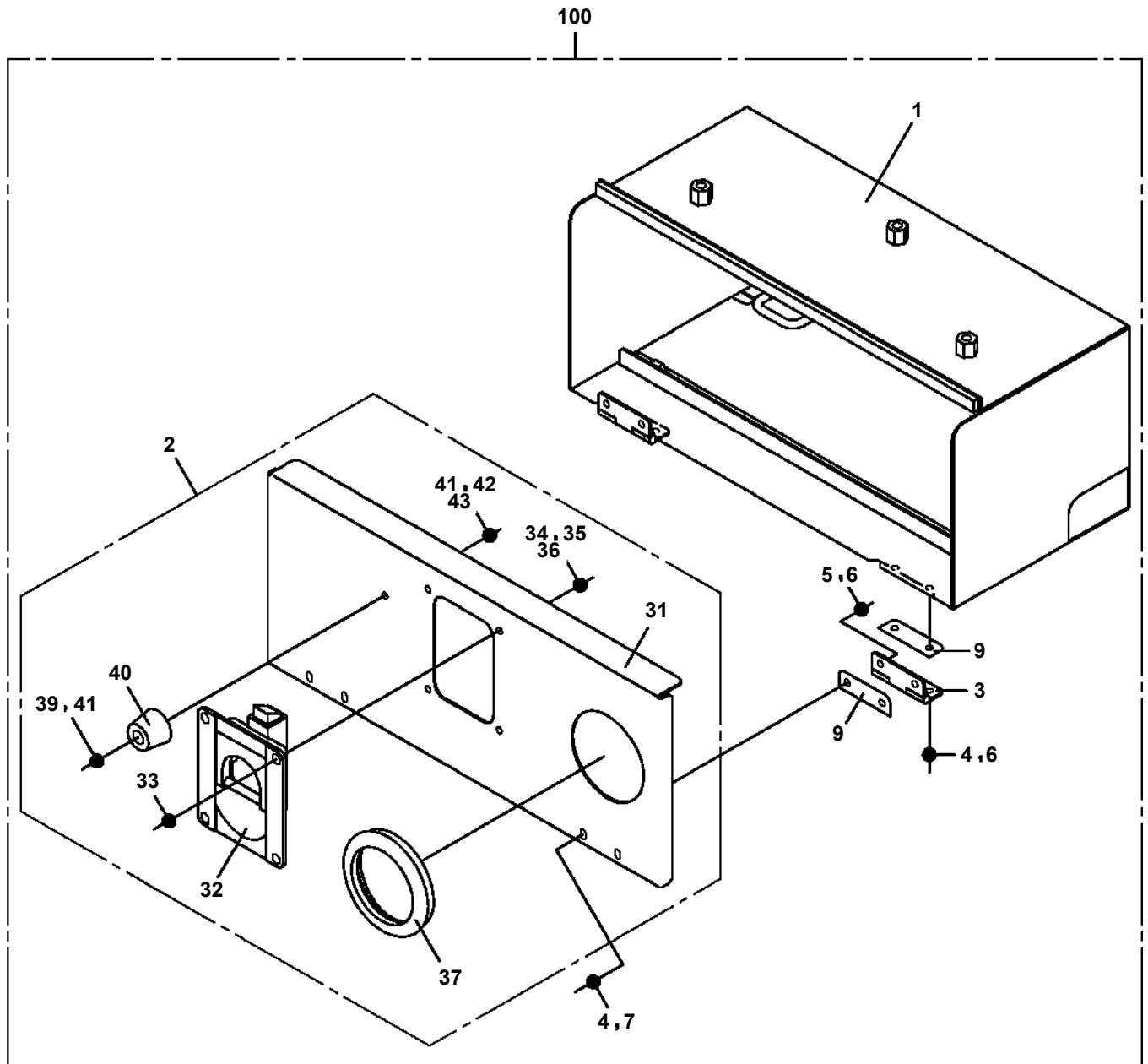
AT-100-5 42063540231 UPPER,LOWER,ISUZU TKG-NKR85AN-EE5AHY-JM

Pos No.	Parts No	Parts Name	Qty	Unit	Technical Data	Serial No (Start)	Serial No (End)	Remarks	P
1	82119434100	CONNECTOR	1						
2	42356280010	HARNESS	1						
3	91810130240	FASTENER	5						
4	42477640080	PLATE,NAME	1						
5	42350250070	PLUG (2 POLES,MALE)	1						
6	80175304016	SCREW,MACHINE	2		M4X16				

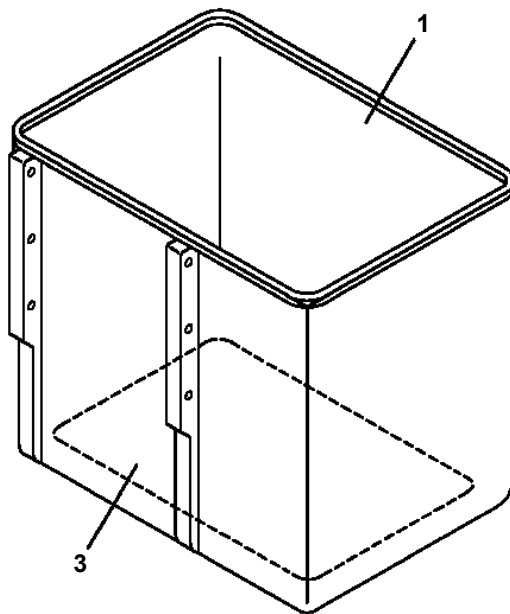
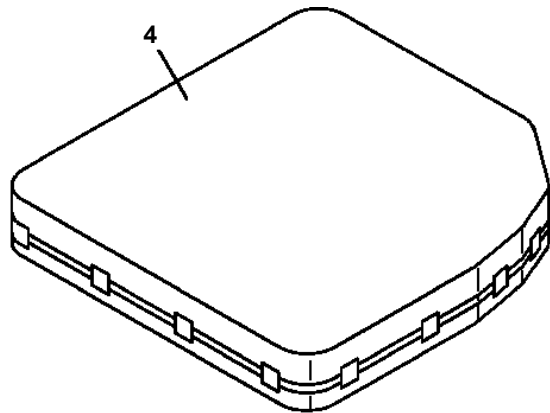
AT-100-5 42063540231 UPPER,LOWER,ISUZU TKG-NKR85AN-EE5AHY-JM

Pos No.	Parts No	Parts Name	Qty	Unit	Technical Data	Serial No (Start)	Serial No (End)
1	42203049510	BOOM,BASE	1				
2	42203062000	BOOM,2ND	1				
3	42203061000	BOOM, TOP	1				
5	42200484100	PLATE	N		T=0.8		
6	42200810020	PIN	1				
7	42202400010	SUPPORT	1				
8	42202400060	ROLLER	2				
9	42202400070	PLATE	2				
11	42202400090	PLATE	N		T=0.5		
13	42202400130	PLATE	N		T=0.5		
14	42202400140	PLATE	12		T=0.8		
15	42202400160	PLATE	N		T=0.8		
17	42202980200	SHEAVE ASSY	1				
18	31630302000	PLATE	N		T=1.5		
19	31631222000	CAP	4				
20	37000118960	PIN	2				
21	37000136510	PIN	4				
22	37000136530	PIN	2				
23	37000155030	PIN	2				
24	37000181820	PIN	1				
25	37000187050	PIN	1				
26	37000187080	PIN	2				
27	37000401810	BEARING,PLAIN	2				
28	37000558530	PLATE	1		T=9		
29	37000573190	PLATE	N		T=1.0		
31	37000584990	PLATE	N		T=0.8		
32	37001924210	ROPE,WIRE (TESAC)	2		8X6.21M		
	37001924240	ROPE,WIRE (J-WITEX)	2		8X6.21M		
33	37001924270	ROPE,WIRE (J-WITEX) 7X3.36M>	2				
	37001924220	ROPE,WIRE (TESAC)	2		7X3.36M		
34	37002016220	PLATE,SLIDE	2		T=12		HK1784
	37002018500	PLATE,SLIDE	2			HK1785	
35	37002018260	PLATE,SLIDE	2				
36	37002018460	PLATE,SLIDE	2		T=12		
38	37002018510	PLATE,SLIDE	4				
39	37002018540	PLATE,SLIDE	4				HK1784
	37002005260	PLATE,SLIDE	4			HK1785	
40	37002018970	PLATE,SLIDE	4		T=10		
41	37002018980	PLATE,SLIDE	2		T=12		
42	37002018530	PLATE,SLIDE	2		T=25		
43	37010101720	PIN	1				
44	80136363056	PIN,SPLIT	1		6.3X56		
45	80184306012	SCREW,MACHINE	6		M6X12		
46	80601110200	RING,RITAINING	6		S20		
47	80602110300	RING,RITAINING	7		R30		
48	80801003025	BEARING,PLAIN	1				
49	82455106000	NIPPLE,GREASE	4		A-M6F FE		
51	90171108020	BOLT	12		M8X20		
52	90171110022	BOLT	4		M10X22		
53	90171110025	BOLT	12		M10X25		
54	90171208030	BOLT	8		M8X30		
55	90172110020	BOLT,HEXAGON SOCKET	2		M10X20		
56	90202481200	NUT	8		M12		
57	90238403008	NUT,CASTLE	1		M30X2		
59	90302040801	WASHER,SPRING	20		8		
60	90302041001	WASHER,SPRING	14		10		
61	90303071001	WASHER,PLAIN	12		10		
62	90303073001	WASHER,PLAIN	1		30		
63	90171110020	BOLT	4		M10X20		
64	37002018480	PLATE,SLIDE	2				
65	37000584970	PLATE	N		T=0.8		
66	90101206016	BOLT	4		M6X16		HK2522
	90172106016	BOLT,HEXAGON SOCKET	4		M6X16	HK2523	

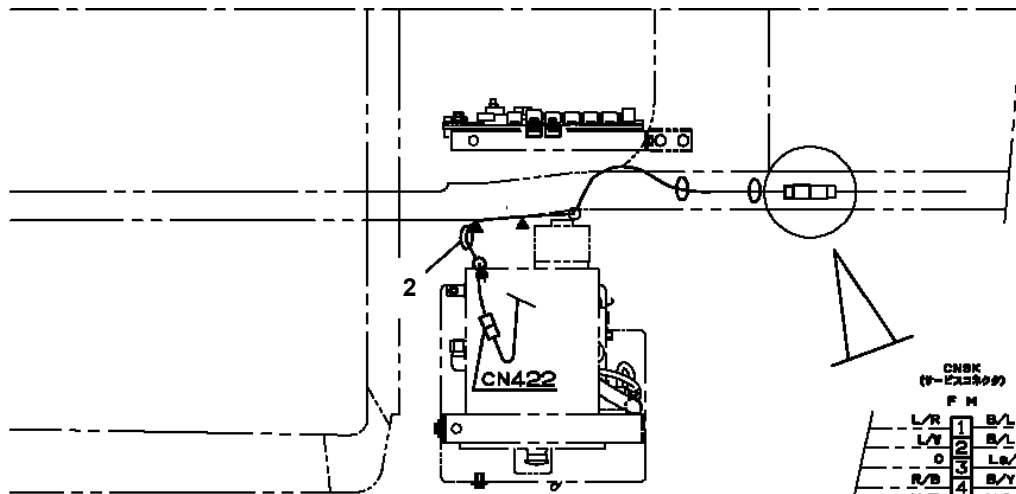
AT-100-5 42063540231 UPPER,LOWER,ISUZU TKG-NKR85AN-EE5AHY-JM
PB5260060-00 BOX ASSY



**AT-100-5 42063540231 UPPER,LOWER,ISUZU TKG-NKR85AN-EE5AHY-JM
PB5350012-00 BUCKET ASSY (WITHOUT INNER CASE)**

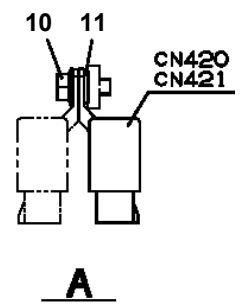
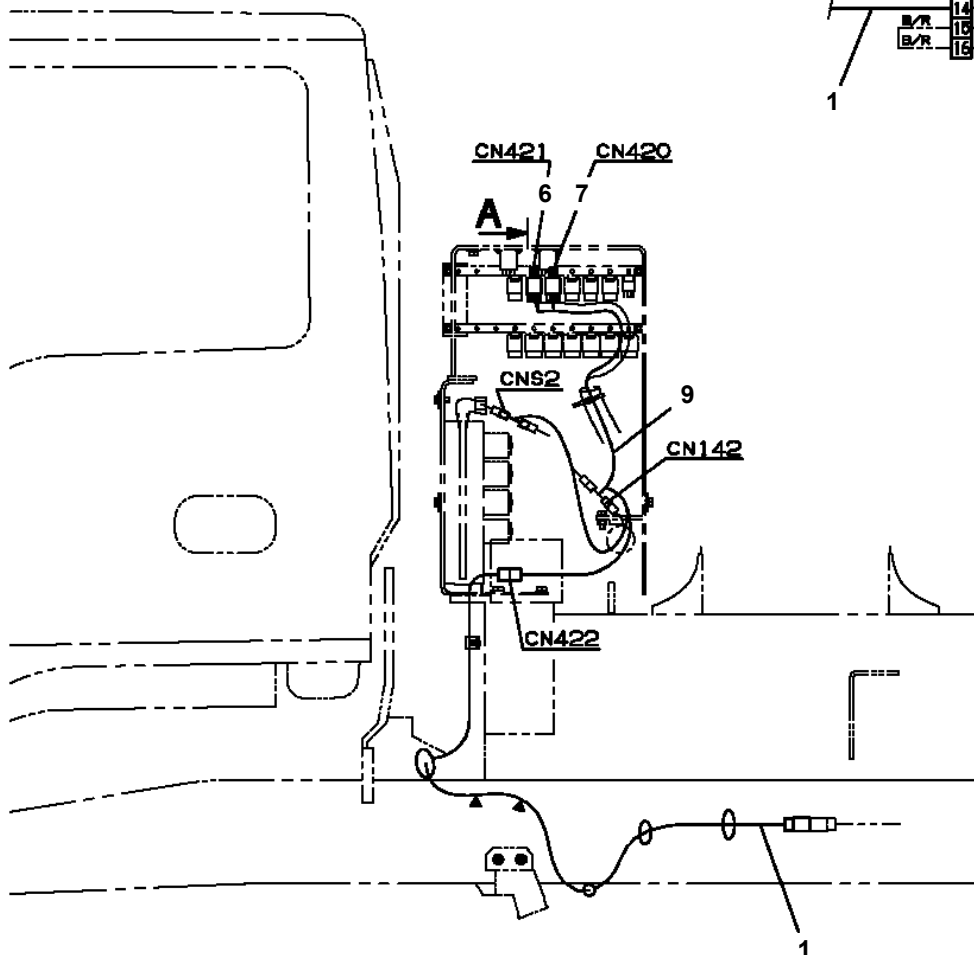


AT-100-5 42063540231 UPPER,LOWER,ISUZU TKG-NKR85AN-EE5AHY-JM
PB5390003-00 BUZZER ASSY (JACK CONTROL ALARM)

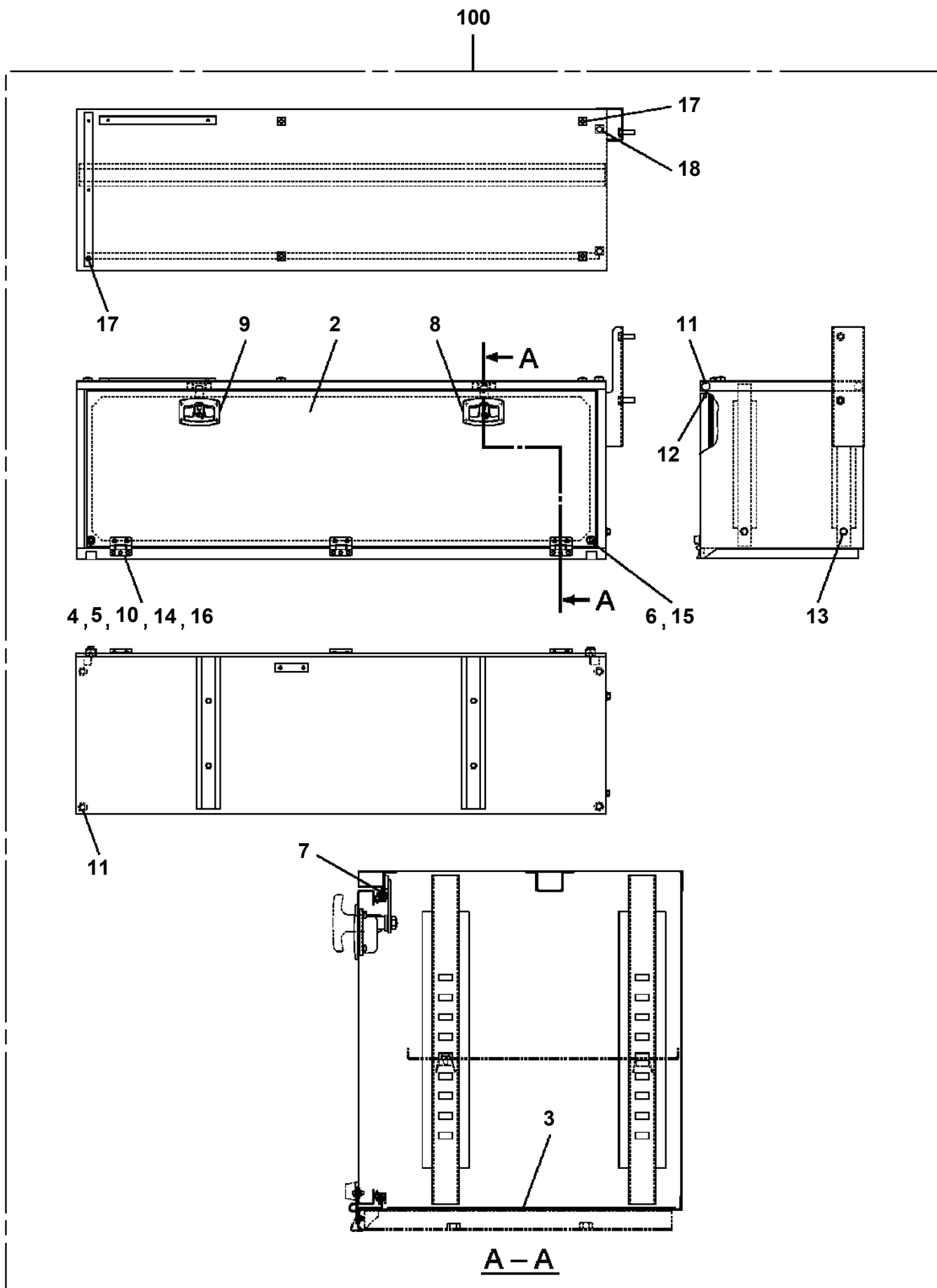


CNSK
(F-233900)

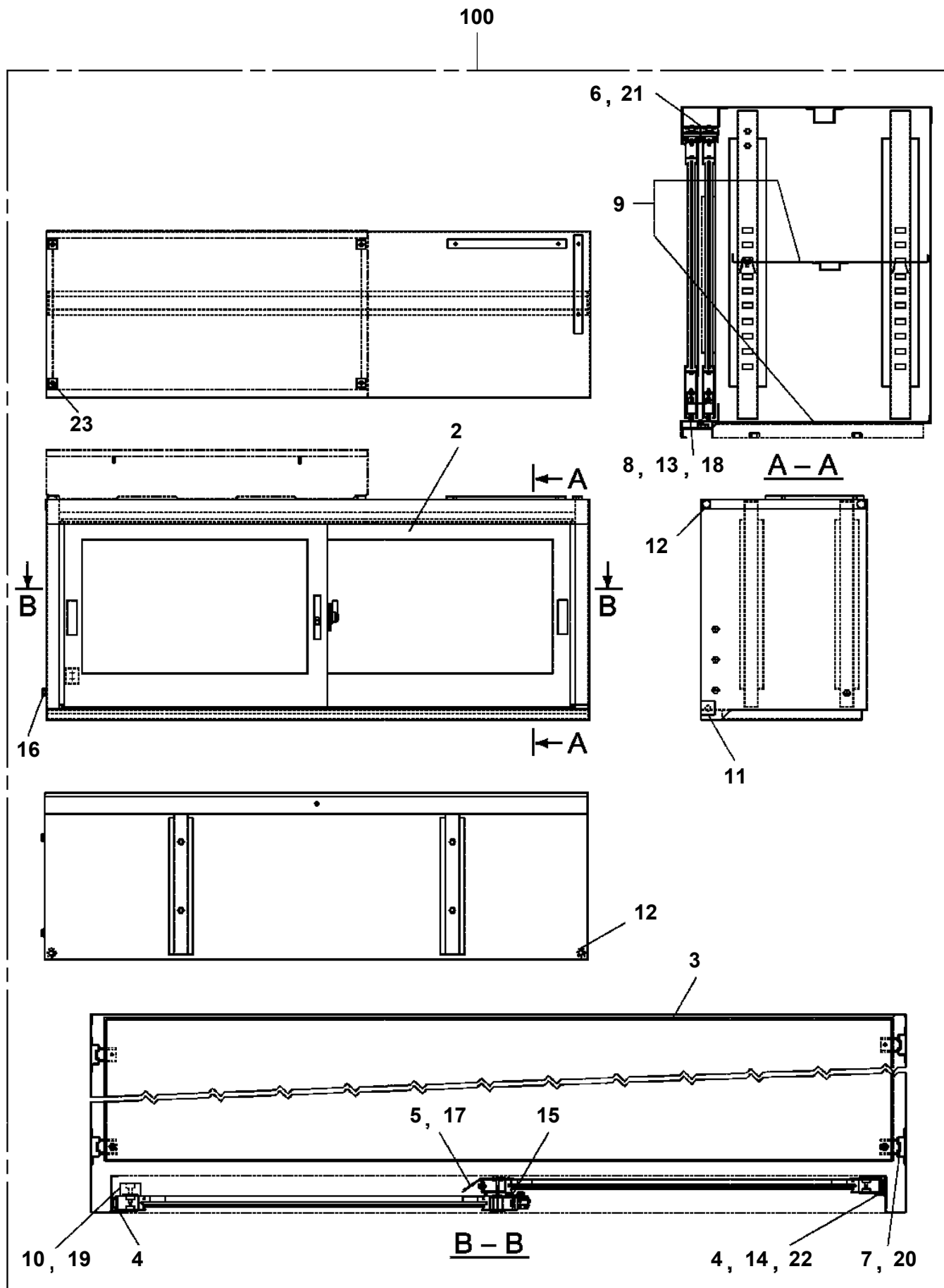
F M			
L/R	1	B/L	E/ON止 (1-2線付線)
L/Y	2	B/L	E/ON止 (1-2線付線)
0	3	L/B	DPD検出
R/B	4	B/Y	KEYON検
V/R	5	W/L	E/ON検 (2線付線)
0	6	0	フォトブレーキ検
B/Y	7	B/O	E/ON検 (2-4V入力)
Y	8	V/Y	PTON検 (ONOFF)
B/B	9	B/S	ニュートラル検 (ONOFF)
Y/L	10	Y	ブレーキ検 (ONOFF)
B/L	11	B/L	ニュートラルスイッチ検
B/L	12	B/L	ニュートラルスイッチ検
0	13	R/Y	ブレーキスイッチ検
0	14	0	ブレーキ検
B/R	15	B	エンジン検出
B/R	16	B/R	エンジン検出



AT-100-5 42063540231 UPPER,LOWER,ISUZU TKG-NKR85AN-EE5AHY-JM
PB5410069-00 BOX,TOOL



AT-100-5 42063540231 UPPER,LOWER,ISUZU TKG-NKR85AN-EE5AHY-JM
PB5410087-00 BOX,TOOL



AT-100-5 42063540231 UPPER,LOWER,ISUZU TKG-NKR85AN-EE5AHY-JM

Pos No.	Parts No	Parts Name	Qty	Unit	Technical Data	Serial No (Start)
2	42839117520	DOOR	1			
3	42839117530	DOOR	1			
4	42839117540	DOOR	1			
5	42839117550	MAT	1			
6	42839117630	SUPPORT	4			
7	42836317920	PLATE	5			
8	42836317930	PLATE	5			
9	42835717610	SUPPORT	1			
10	37000512320	PLATE	2			
11	82400000393	INSULATOR	2			
12	42836317950	WEATHER STRIP	7	M		
14	42835867870	CATCH	2			
15	42838117510	CATCH	2			
16	42835487650	HINGE	5			
18	42833077610	BUSH	8			
19	42835797580	PLUG (HOLE)	8			
20	42839117570	BOLT SET(M10X16 WITH WASHER+SPRIGWASHER)	2			
21	42835717800	PIN	2			
22	42839117580	SCREW,SET(M6X14 WITH WASHER+WASHERSPRIG)	3			
23	42839117590	SCREW,SET (M6X14 WITH WASHER,SPRING)	2			
24	42839117600	SCREW,SET (M5X14 WITH SPRINGWASHER)	10			
25	42839117610	SCREW,SET (M4X16 WITH WASHER+NUT)	2			
26	42839117620	SCREW,MACHINE (M5X12)	15			
27	82401800080	PLUG (FOR M8)	4			
28	82440850090	GAS SPRING	1			
100	42839113002	BOX,TOOL	1			

AT-100-5 42063540231 UPPER,LOWER,ISUZU TKG-NKR85AN-EE5AHY-JM

Pos No.	Parts No	Parts Name	Qty	Unit	Technical Data	Serial No (Start)	Serial No (End)	Remarks	Pag
1	42972891100	FRAME	1						
2	42971121201	BOX	2						
3	42971121050	STOPPER	2						
4	82466188304	LOCK	2						
5	82460000500	CATCH	2						
6	80172804010	SCREW,MACHINE	8		M4X10				
7	90302510401	WASHER,SPRING	8		4				
8	90201500400	NUT	8		M4				
9	90101208018	BOLT	4		M8X18				
10	90302040801	WASHER,SPRING	4		8				
11	90303070801	WASHER,PLAIN	4		8				
12	90190206012	BOLT	8		M6X12				
13	90302510601	WASHER,SPRING (6)	8						
14	90303520601	WASHER,PLAIN	8		6				
15	42971121040	PLATE	8						
16	42971121030	STOPPER	2						
100	42972891000	BOX,TOOL	1						

AT-100-5 42063540231 UPPER,LOWER,ISUZU TKG-NKR85AN-EE5AHY-JM

Pos No.	Parts No	Parts Name	Qty	Unit	Technical Data	Serial No (Start)	Serial No (End)	Re
1	(*****)	ELEC.ASSY (GRADIENT WARNING)	1					
4	(*****)	PIPING ASSY	1					

AT-100-5 42063540231 UPPER,LOWER,ISUZU TKG-NKR85AN-EE5AHY-JM

Pos No.	Parts No	Parts Name	Qty	Unit	Technical Data	Serial No (Start)	Serial No (End)
1	(*****)	ELEC.ASSY (GRADIENT WARNING)	1				
4	(*****)	PIPING ASSY	1				
6	(*****)	ELEC.ASSY (HORIZONTAL LAMP)	1				
7	(*****)	NAME PLATE ASSY (JACK HORIZONTAL)	1				
12	(*****)	MODIFICATION ASSY	1			HK0956	

AT-100-5 42063540231 UPPER,LOWER,ISUZU TKG-NKR85AN-EE5AHY-JM

Pos No.	Parts No	Parts Name	Qty	Unit	Technical Data	Serial No (Start)	Serial No (End)	Remarks	Pages
1	42442840400	COVER	1						
2	42442840500	COVER	1						
3	90303070801	WASHER,PLAIN	6		8				
4	42442840010	PLATE	1						
5	42442840020	PLATE	1						
6	90183108030	BOLT	2		M8X30				
7	90183108040	BOLT	4		M8X40				

AT-100-5 42063540231 UPPER,LOWER,ISUZU TKG-NKR85AN-EE5AHY-JM

Pos No.	Parts No	Parts Name	Qty	Unit	Technical Data	Serial No (Start)	Serial No (End)	Remarks	Pages
1	42974310100	COVER	1						
2	42974310200	COVER	1						

AT-100-5 42063540231 UPPER,LOWER,ISUZU TKG-NKR85AN-EE5AHY-JM

Pos No.	Parts No	Parts Name	Qty	Unit	Technical Data	Serial No (Start)	Serial No (End)	Remarks
1	82455106000	NIPPLE,GREASE	2		A-M6F FE			
3	91302209000	BEARING,PLAIN	4					
4	91684009001	PACKING	4					
5	91411207502	RING,BACKUP	4					
6	91002903500	O-RING	2		1B G35			
7	36027802000	PISTON	1					
8	36028439520	ROD ASSY	1					
10	80612110720	RING,RITAINING	1		AR72			
11	37000403650	BEARING,PLAIN	1					
12	36026899530	COVER,ROD	1					
13	91002909500	O-RING	2		1B G95			
14	91694106500	PACKING	2					
15	91410206503	RING,BACKUP	2					
16	91660006500	SEAL,DUST	2					
17	80622000650	RING,RITAINING	1		SP65			
18	80530000114	BEARING,SPHERICAL	1					
19	80820004040	BEARING,PLAIN	2					
21	91002910500	O-RING	2		1B G105			
23	36028439510	CYLINDER ASSY	1					
24	90730008120	SCREW,SET	1		M8X12			
80	36026899900	PACKING SET	2		65X90			
100	36028430000	CYLINDER ASSY,DERRICK	1					

AT-100-5 42063540231 UPPER,LOWER,ISUZU TKG-NKR85AN-EE5AHY-JM

Pos No.	Parts No	Parts Name	Qty	Unit	Technical Data	Serial No (Start)	Serial No (End)
2	31300070010	BOLT	19		M20X80		
3	37001505940	BOLT	10		M18X60		
4	90171116040	BOLT	4		M16X40		
5	90302041601	WASHER,SPRING	4		16		
6	36081610000	REDUCER,SWING SPEED	1				
7	91001208500	O-RING	1		1A G85		
8	90174112035	BOLT	2		M12X35		
9	90302041201	WASHER,SPRING	2		12		
10	36664070000	MOTOR,OIL	1				
31	37002304190	BEARING,SWING (NIHON MONORACE)	1				
32	37002304160	BEARING,SWING (NTN TO ROBALLO)	1				

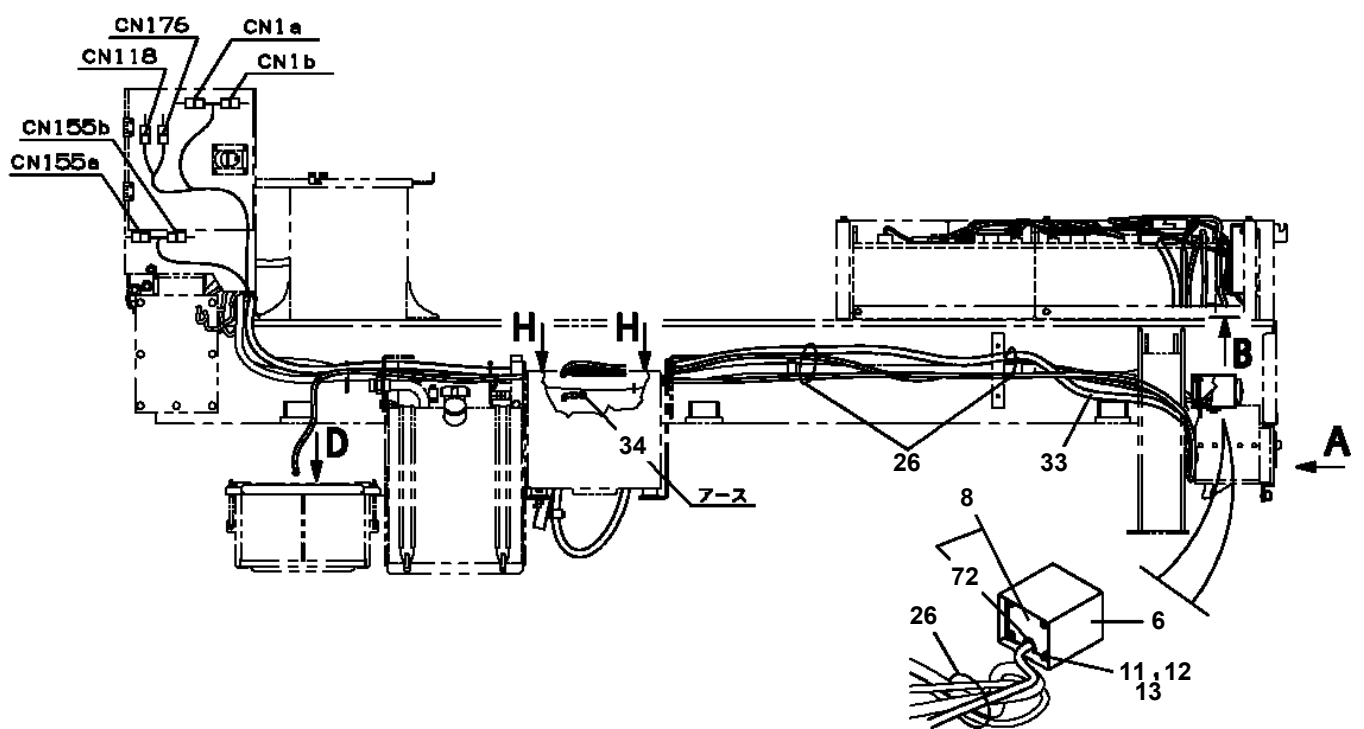
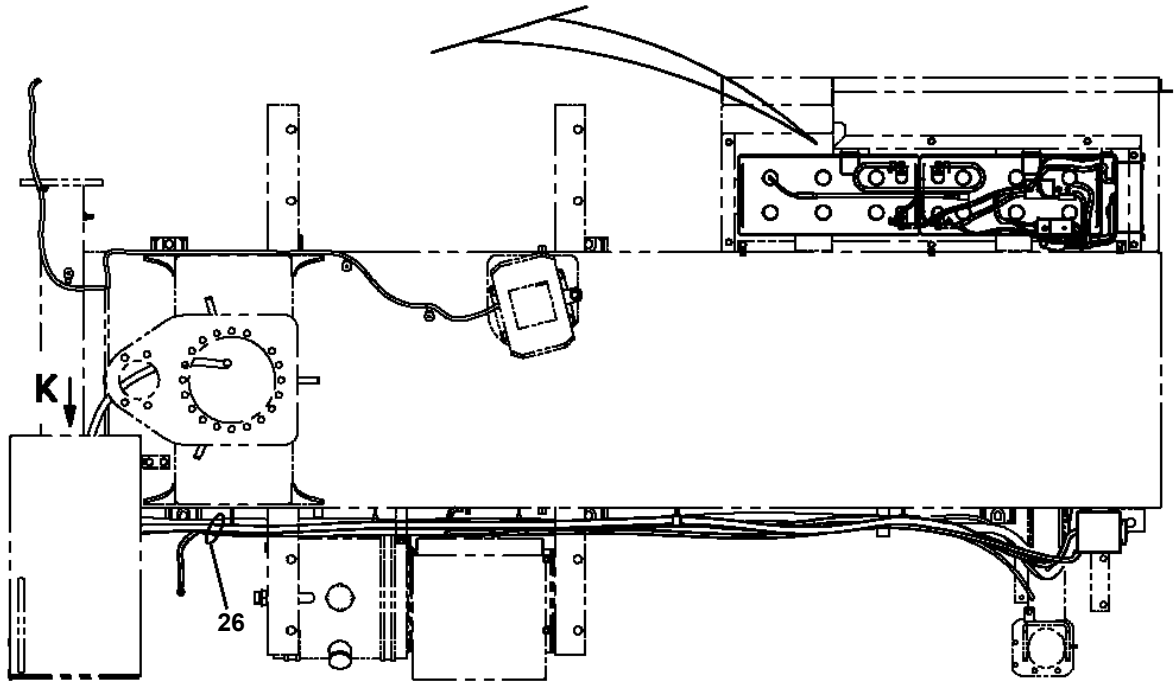
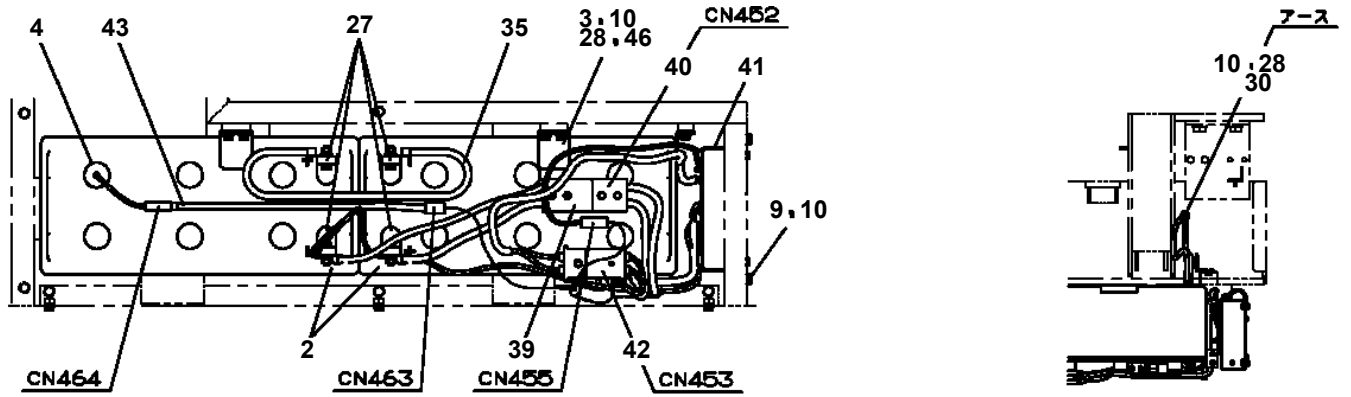
AT-100-5 42063540231 UPPER,LOWER,ISUZU TKG-NKR85AN-EE5AHY-JM

Pos No.	Parts No	Parts Name	Qty	Unit	Technical Data	Serial No (Start)	Serial No (End)	Remark
1	36027510000	CYLINDER ASSY,LEVELING	1					
2	36624110000	VALVE,CHECK	1					
3	90180210050	BOLT,BUTTON	4		M10X50			

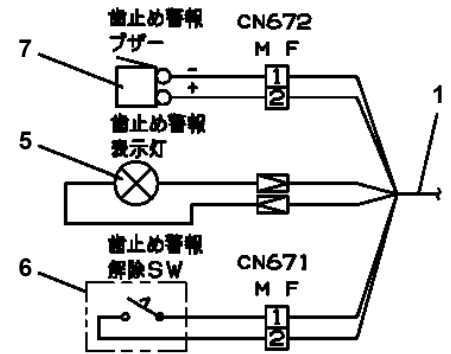
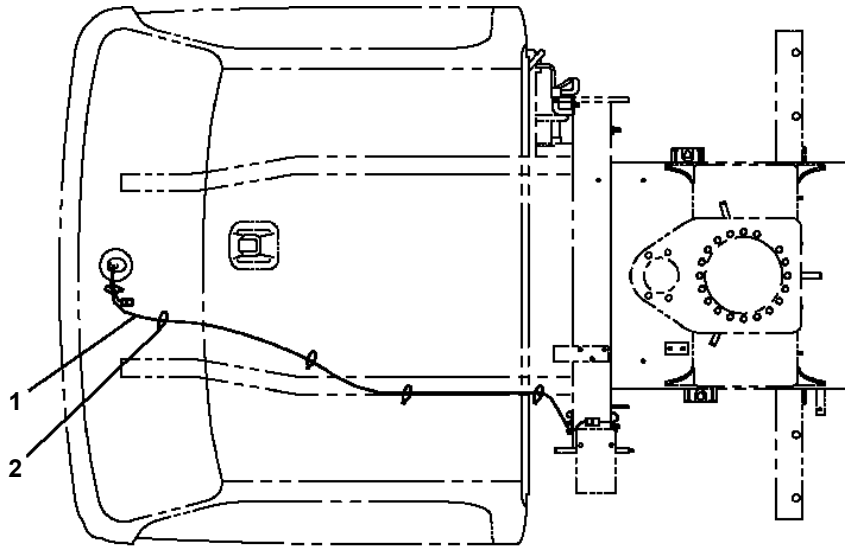
AT-100-5 42063540231 UPPER,LOWER,ISUZU TKG-NKR85AN-EE5AHY-JM

Pos No.	Parts No	Parts Name	Qty	Unit	Technical Data	Serial No (Start)	Serial No (End)	Remarks
1	36140510000	DETECTOR ASSY,ANGLE	1					
2	42652480010	PLATE	1					
3	42651620400	COVER	1					
4	90101208016	BOLT	6		M8X16			
5	90302040801	WASHER,SPRING	6		8			
6	90101206014	BOLT	2		M6X14			
7	90302040601	WASHER,SPRING	2		6			
8	91810130240	FASTENER	8					
9	37000500060	PLATE	2					
32	82400000201	GROMMET	1		KG-016			

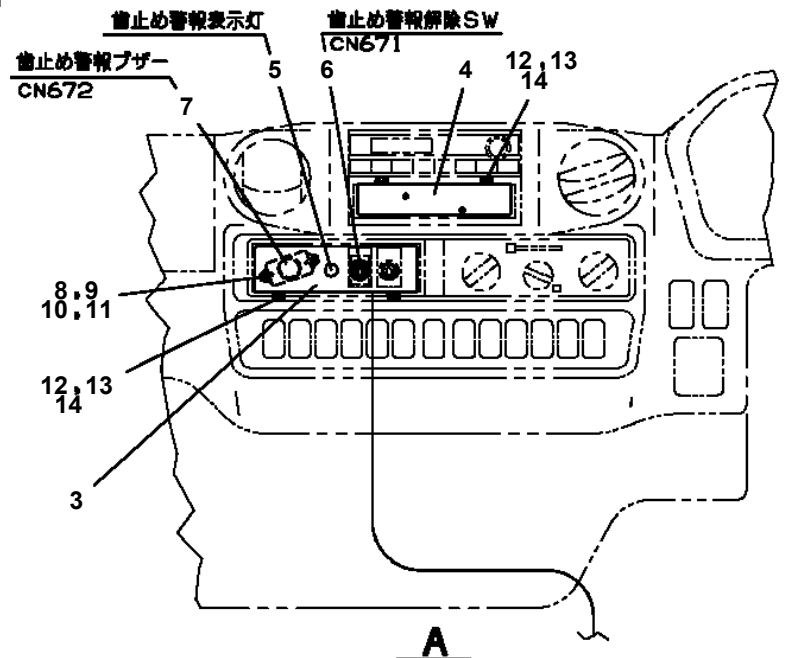
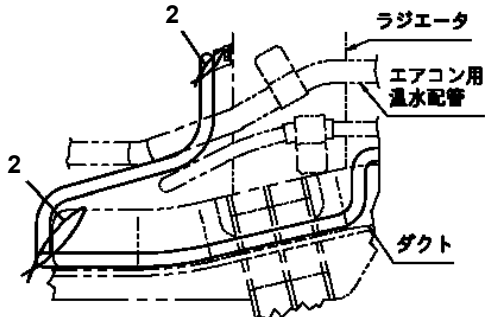
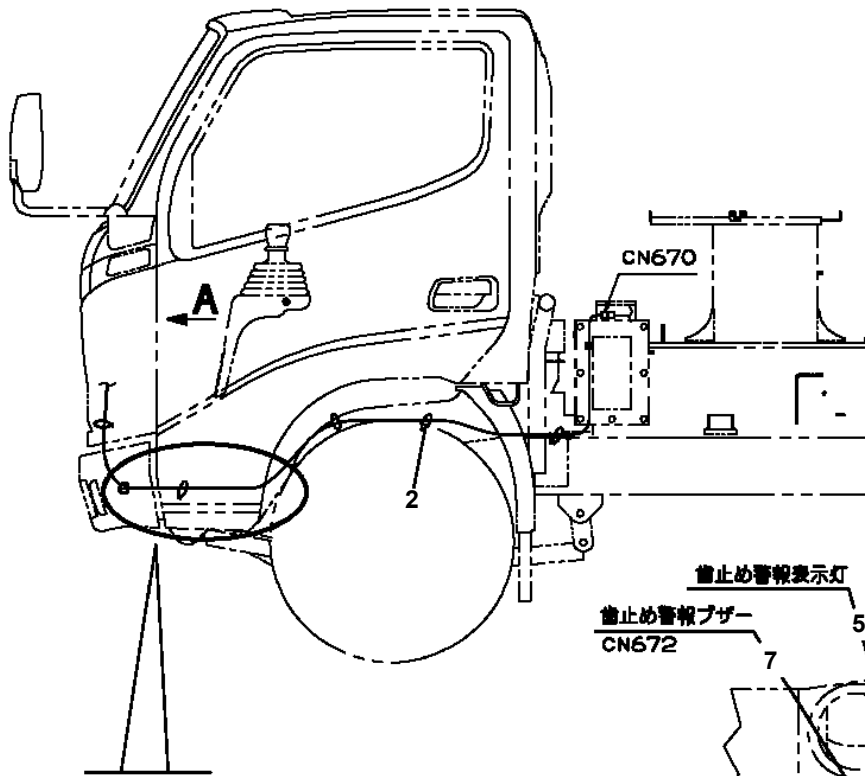
**AT-100-5 42063540231 UPPER,LOWER,ISUZU TKG-NKR85AN-EE5AHY-JM
PE5020531-02 ELEC.ASSY**



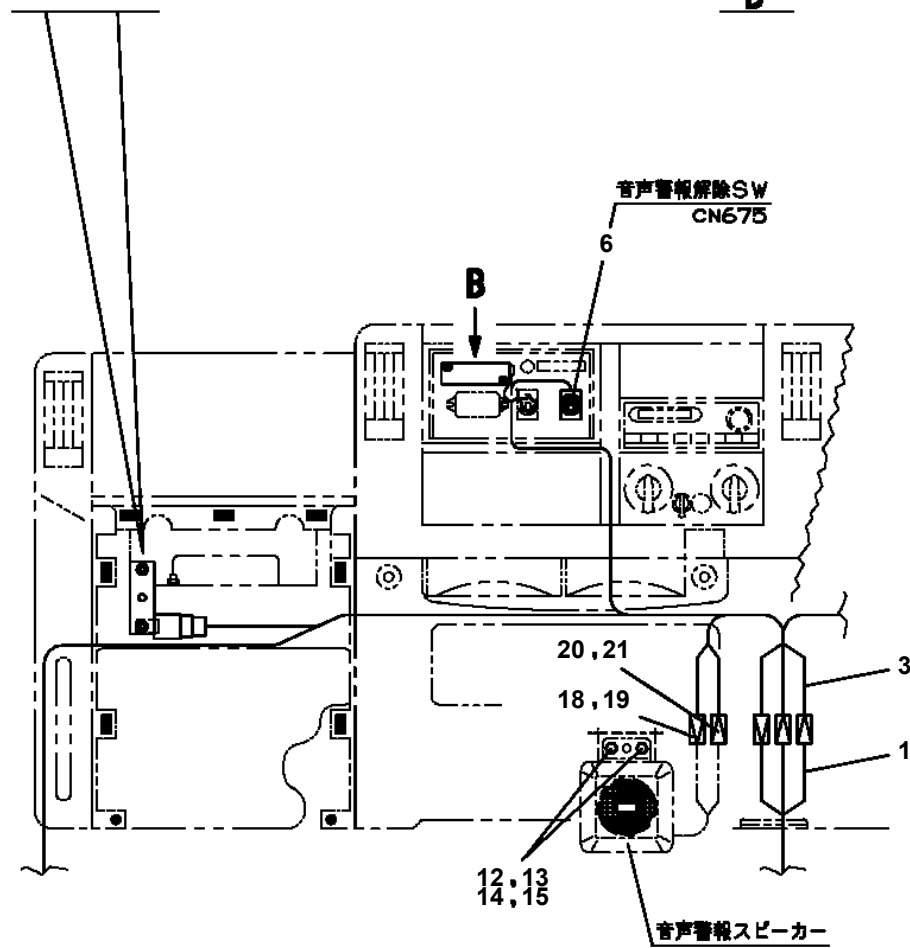
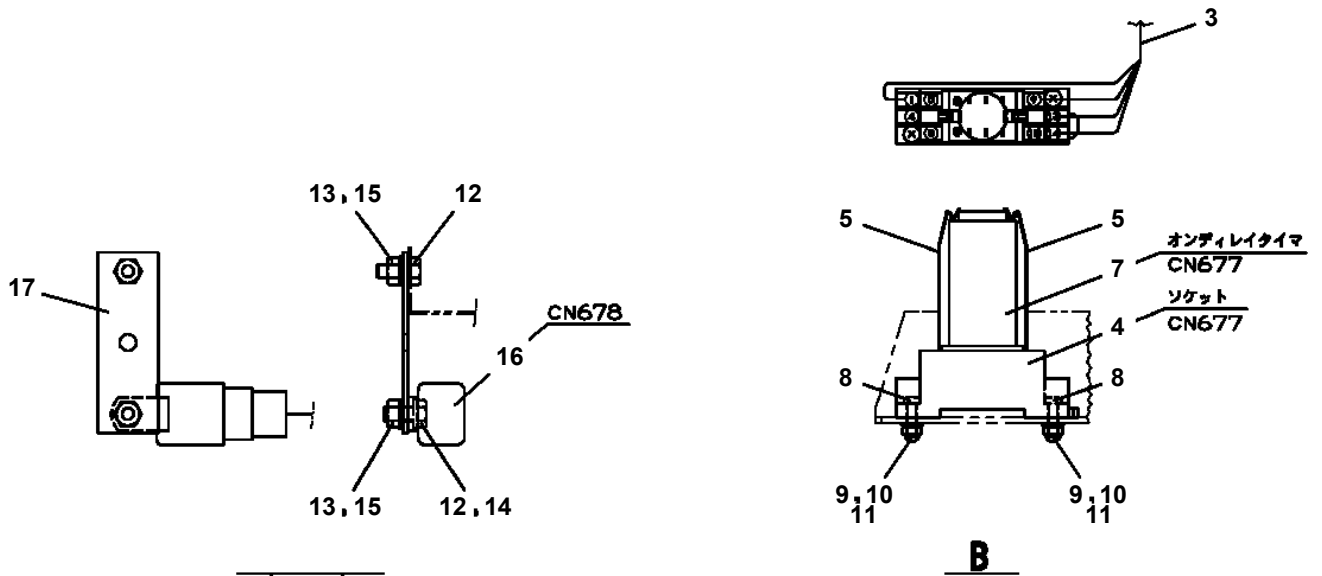
AT-100-5 42063540231 UPPER,LOWER,ISUZU TKG-NKR85AN-EE5AHY-JM
 PE5020630-00 ELEC.ASSY (CARRIER)



ブザー、表示灯、解除SW接続図



AT-100-5 42063540231 UPPER,LOWER,ISUZU TKG-NKR85AN-EE5AHY-JM
 PE5020634-00 ELEC.ASSY (CARRIER)



A

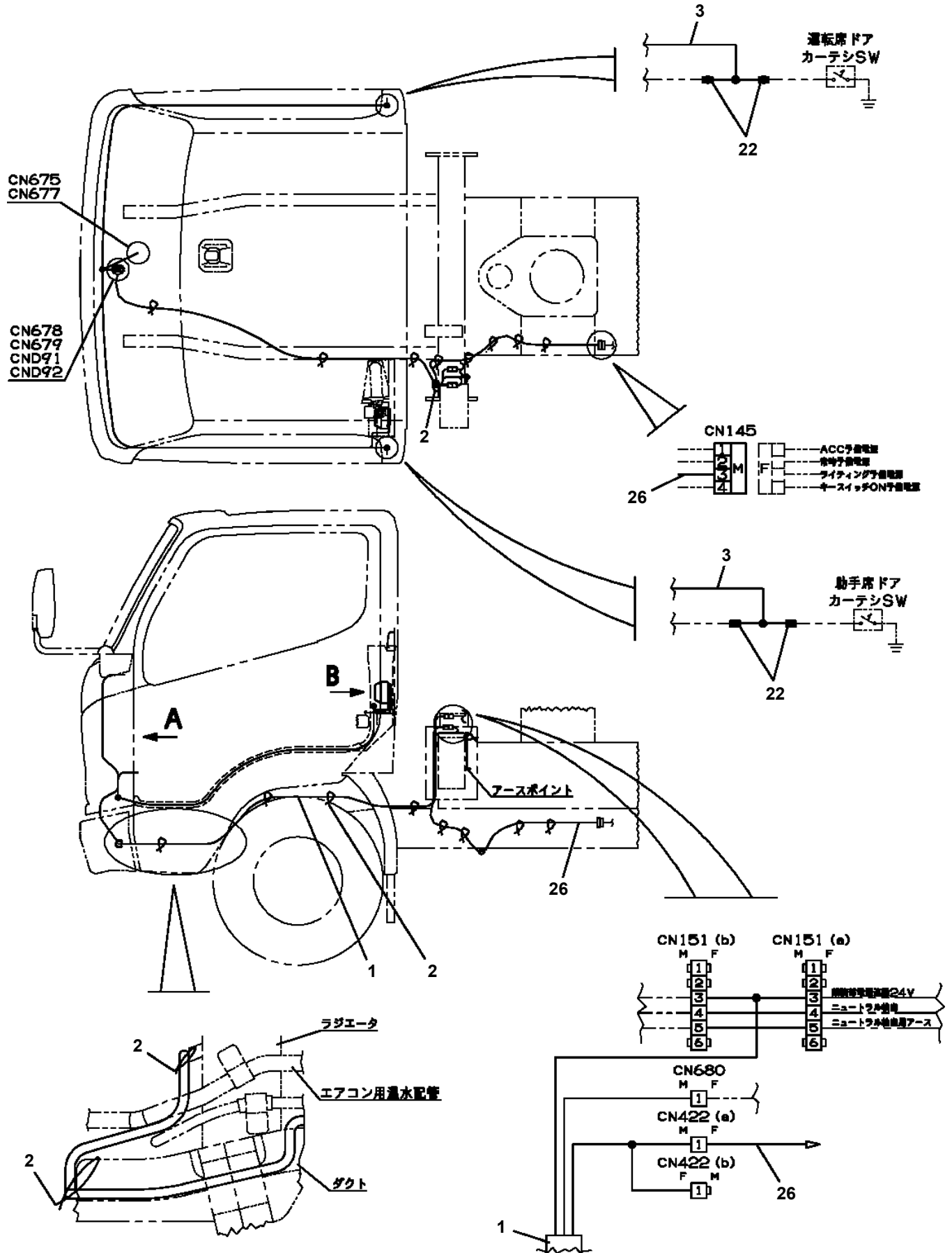
AT-100-5 42063540231 UPPER,LOWER,ISUZU TKG-NKR85AN-EE5AHY-JM

Pos No.	Parts No	Parts Name	Qty	Unit	Technical Data	Serial No (Start)	Serial No (End)
1	42839122101	HARNESS	1				
	42839122101	HARNESS	1				
2	42837372200	HARNESS (RIGHT TOOL BOX)	1				
	42837372200	HARNESS (RIGHT TOOL BOX)	1				
3	42839732100	HARNESS (LEFT TOOL BOX)	1				
	42839732100	HARNESS (LEFT TOOL BOX)	1				
4	42809631200	LAMP ASSY (RED,WITH HARNESS)	1				
	42809631200	LAMP ASSY (RED,WITH HARNESS)	1				
5	42839122200	RELAY BOX ASSY	1				
	42839122200	RELAY BOX ASSY	1				
6	82473012600	SWITCH	4				
	82473012600	SWITCH	4				
7	42433932100	SWITCH ASSY (WITH HARNESS,1 SW)	1				
	42433932100	SWITCH ASSY (WITH HARNESS,1 SW)	1				
8	42970870100	SUPPORT	2				
	42970870100	SUPPORT	2				
9	42970870200	SUPPORT	2				
	42970870200	SUPPORT	2				
10	42970190010	SUPPORT	1				
	42970190010	SUPPORT	1				
11	42970190020	SUPPORT	1				
	42970190020	SUPPORT	1				
12	42970380010	PLATE	8		T=0.8		
	42970380010	PLATE	8		T=0.8		
13	42970190030	SUPPORT	1				
	42970190030	SUPPORT	1				
14	42970190040	SUPPORT	1				
	42970190040	SUPPORT	1				
15	42970190060	PLATE	4				
	42970190060	PLATE	4				
16	82100002002	CLAMP	4		WR6		
	82100002002	CLAMP	4		WR6		
17	80147310450	RIVET	16		NSA4-5		
	80147310450	RIVET	16		NSA4-5		
18	90101206014	BOLT	11		M6X14		
	90101206014	BOLT	11		M6X14		
19	90101205008	BOLT	8		M5X8		
	90101205008	BOLT	8		M5X8		
20	80172803010	SCREW,MACHINE	16		M3X10		
	80172803010	SCREW,MACHINE	16		M3X10		
21	90302040601	WASHER,SPRING	11		6		
	90302040601	WASHER,SPRING	11		6		
22	90302040501	WASHER,SPRING	8		5		
	90302040501	WASHER,SPRING	8		5		
23	90302510301	WASHER,SPRING (SUS 3)	16				
	90302510301	WASHER,SPRING (SUS 3)	16				
24	90303520301	WASHER,PLAIN	16		3		
	90303520301	WASHER,PLAIN	16		3		
25	90303070601	WASHER,PLAIN	4		6		
	90303070601	WASHER,PLAIN	4		6		
26	82401600506	CLAMP	20		D6.5		
	82401600506	CLAMP	20		D6.5		
27	91810132530	FASTENER	20				
	91810132530	FASTENER	20				
29	42837372160	HARNESS	1				
	42837372160	HARNESS	1				
30	90201200800	NUT	1		M8		
	90201200800	NUT	1		M8		
31	90302040801	WASHER,SPRING	1		8		
	90302040801	WASHER,SPRING	1		8		
32	90303070801	WASHER,PLAIN	1		8		
	90303070801	WASHER,PLAIN	1		8		

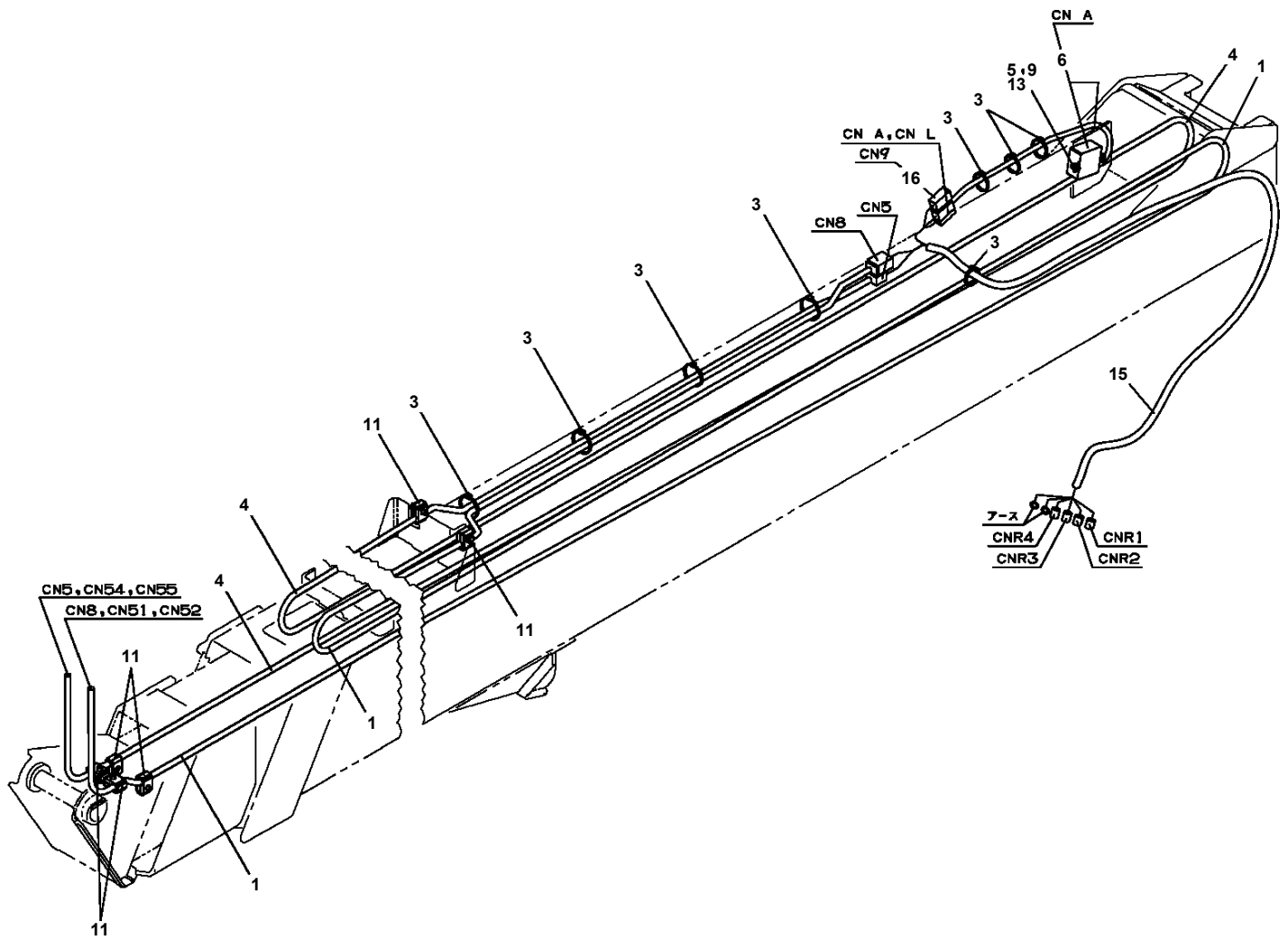
AT-100-5 42063540231 UPPER,LOWER,ISUZU TKG-NKR85AN-EE5AHY-JM

Pos No.	Parts No	Parts Name	Qty	Unit	Technical Data	Serial No (Start)	Serial No (End)	Remarks
1	36140510000	DETECTOR ASSY,ANGLE	1					
2	42652480010	PLATE	1					
3	42651620400	COVER	1					
4	90101208016	BOLT	6		M8X16			
5	90302040801	WASHER,SPRING	6		8			
6	90101206014	BOLT	2		M6X14			
7	90302040601	WASHER,SPRING	2		6			
8	91810130240	FASTENER	8					
9	37000500060	PLATE	2					
11	42509460101	HARNES	1					
12	34354781710	RELAY (WITH BRACKET)	1					
32	82400000201	GROMMET	1		KG-016			

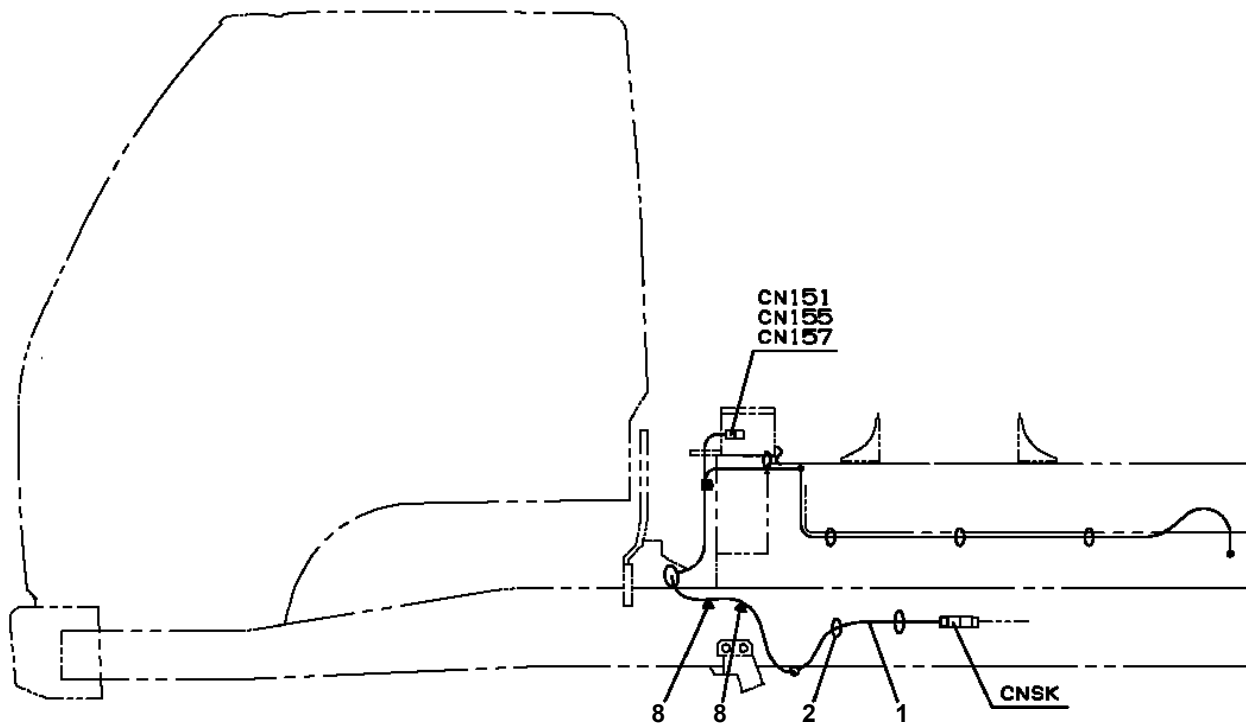
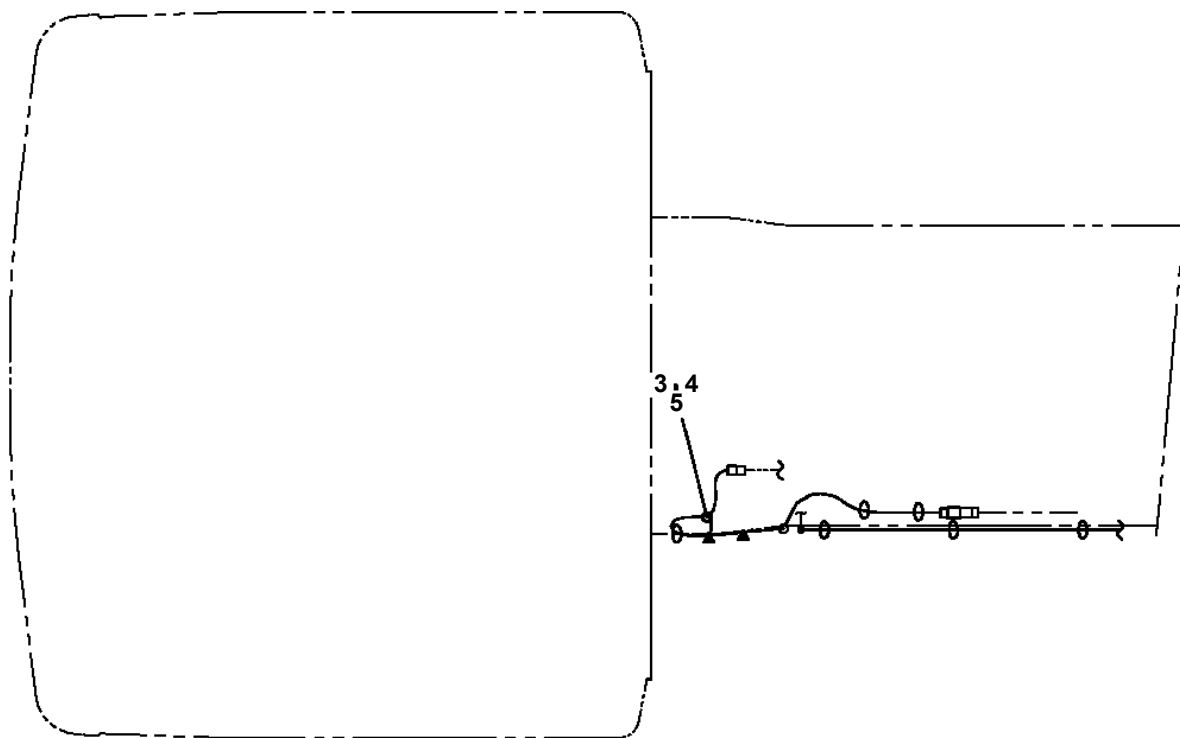
AT-100-5 42063540231 UPPER,LOWER,ISUZU TKG-NKR85AN-EE5AHY-JM
 PE5020778-01 ELEC.ASSY (CARRIER/HINO)



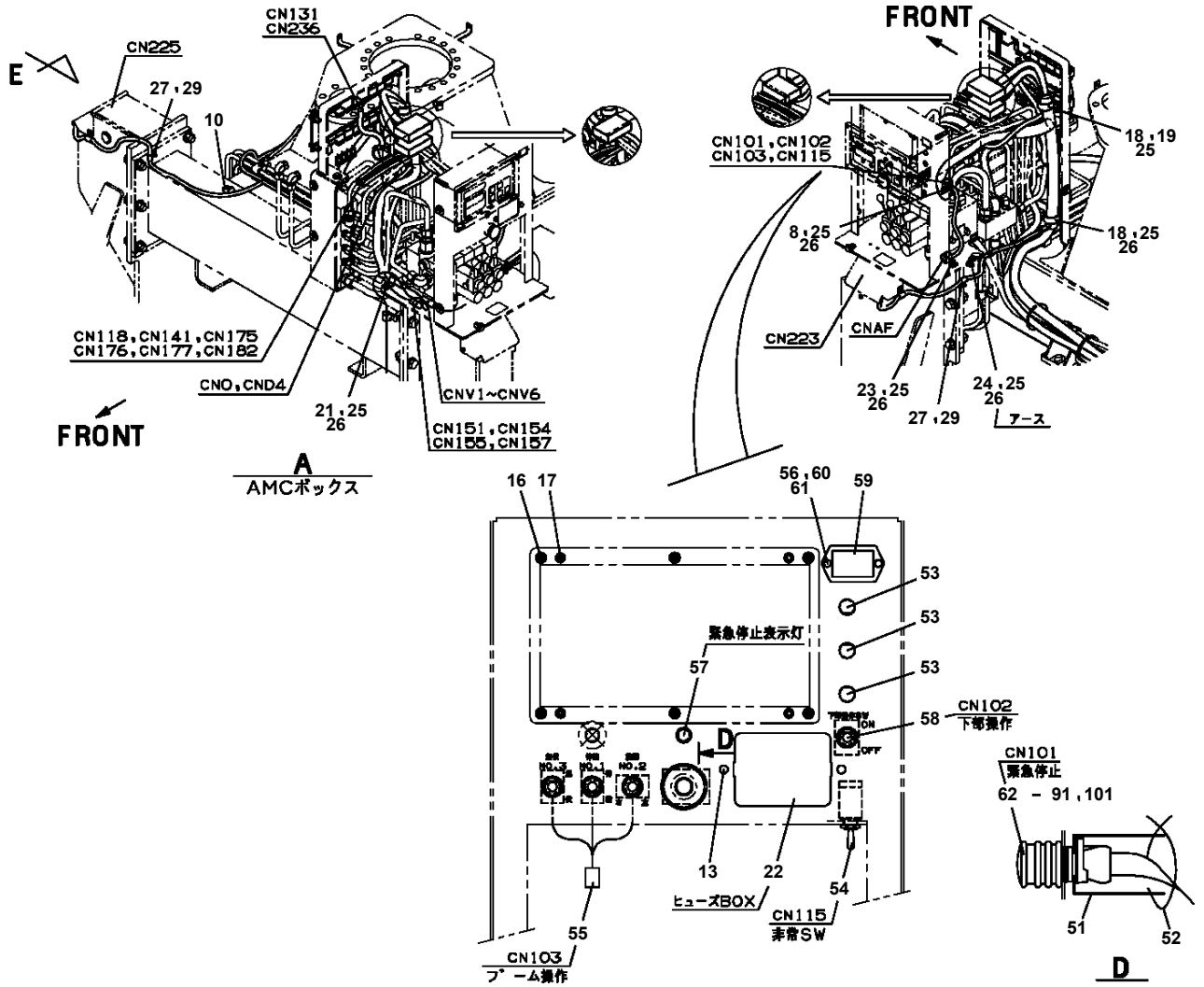
**AT-100-5 42063540231 UPPER,LOWER,ISUZU TKG-NKR85AN-EE5AHY-JM
PE5050008-00 ELEC.ASSY,BOOM**



AT-100-5 42063540231 UPPER,LOWER,ISUZU TKG-NKR85AN-EE5AHY-JM
PE5070037-00 ELEC.ASSY,CARRIER



AT-100-5 42063540231 UPPER,LOWER,ISUZU TKG-NKR85AN-EE5AHY-JM
 PE5110026-03 ELEC.ASSY,FRAME



AT-100-5 42063540231 UPPER,LOWER,ISUZU TKG-NKR85AN-EE5AHY-JM

Pos No.	Parts No	Parts Name	Qty	Unit	Technical Data	Serial No (Start)	Serial No (End)
1	36132400001	DETECTOR ASSY,LENGTH (BOOM)	1				
2	42350071000	ROLLER ASSY	1				
3	42353100600	ROLLER ASSY	1				
4	90303070601	WASHER,PLAIN	1		6		
5	80620210060	PIN,SNAP	1				
6	91810132530	FASTENER	2				
7	90180206016	BOLT,BUTTON	4		M6X16		
8	90302040601	WASHER,SPRING	4		6		
10	89630101000	HOSE,VINYL	1		4X6,1M		
31	42360030040	SUPPORT	1				
32	37001102350	ROLLER	2				
33	37000302060	SPACER	2		L=11.2		
35	90201201000	NUT	2		M10		
36	90302041001	WASHER,SPRING	2		10		
37	90303071001	WASHER,PLAIN	2		10		
41	42351120200	SUPPORT	1				

AT-100-5 42063540231 UPPER,LOWER,ISUZU TKG-NKR85AN-EE5AHY-JM

Pos No.	Parts No	Parts Name	Qty	Unit	Technical Data	Serial No (Start)	Serial No (End)	Remarks	Pa
1	42972613000	GUARD (ASSY ONLY)	1						
2	90101208012	BOLT	4		M8X12				
3	90302040801	WASHER,SPRING	4		8				
4	90303070801	WASHER,PLAIN	4		8				

AT-100-5 42063540231 UPPER,LOWER,ISUZU TKG-NKR85AN-EE5AHY-JM

Pos No.	Parts No	Parts Name	Qty	Unit	Technical Data	Serial No (Start)	Serial No (End)
1	36196870000	AUTOMATIC MOTION CONTROLLER	1				HK0900
	36196870001	AUTOMATIC MOTION CONTROLLER	1			HK0901	

AT-100-5 42063540231 UPPER,LOWER,ISUZU TKG-NKR85AN-EE5AHY-JM

Pos No.	Parts No	Parts Name	Qty	Unit	Technical Data	Serial No (Start)	Serial No (End)	Remarks
1	42739693110	DISPLAY	1					
2	42807401150	CABLE	1					
3	42739931150	CAMERA	1					
30	42970011100	VIEW SYSTEM (MAIN UNIT)	1					

AT-100-5 42063540231 UPPER,LOWER,ISUZU TKG-NKR85AN-EE5AHY-JM

Pos No.	Parts No	Parts Name	Qty	Unit	Technical Data	Serial No (Start)	Serial No (End)	Remarks
2	42739697510	CABLE ASSY	1					
3	42739697540	CABLE ASSY	1					
4	42739697520	CLIP	1					
5	42739697530	REMOTE CONTROL ASSY	1					
100	42739693110	DISPLAY	1					

AT-100-5 42063540231 UPPER,LOWER,ISUZU TKG-NKR85AN-EE5AHY-JM

Pos No.	Parts No	Parts Name	Qty	Unit	Technical Data	Serial No (Start)	Serial No (End)	Remarks	Pages
9	82100001839	FUSE	1		10A.RED				
	82100001839	FUSE	1		10A.RED				
50	42508140100	HARNESS	1						
	42508140100	HARNESS	1						

AT-100-5 42063540231 UPPER,LOWER,ISUZU TKG-NKR85AN-EE5AHY-JM

Pos No.	Parts No	Parts Name	Qty	Unit	Technical Data	Serial No (Start)	Serial No (End)	Remarks	Pages
100	42837372160	HARNESS	1						
	42837372160	HARNESS	1						

AT-100-5 42063540231 UPPER,LOWER,ISUZU TKG-NKR85AN-EE5AHY-JM

Pos No.	Parts No	Parts Name	Qty	Unit	Technical Data	Serial No (Start)	Serial No (End)	Remarks	Pages
100	42355780100	HARNESS	1						

AT-100-5 42063540231 UPPER,LOWER,ISUZU TKG-NKR85AN-EE5AHY-JM

Pos No.	Parts No	Parts Name	Qty	Unit	Technical Data	Serial No (Start)	Serial No (End)	Remarks	Pages
100	42501541100	HARNESS	1						

AT-100-5 42063540231 UPPER,LOWER,ISUZU TKG-NKR85AN-EE5AHY-JM

Pos No.	Parts No	Parts Name	Qty	Unit	Technical Data	Serial No (Start)	Serial No (End)	Remarks	Pages
100	42837373100	HARNESS	1						

AT-100-5 42063540231 UPPER,LOWER,ISUZU TKG-NKR85AN-EE5AHY-JM

Pos No.	Parts No	Parts Name	Qty	Unit	Technical Data	Serial No (Start)	Serial No (End)	Remarks	Pages
1	42973352100	HARNESS	1						

AT-100-5 42063540231 UPPER,LOWER,ISUZU TKG-NKR85AN-EE5AHY-JM

Pos No.	Parts No	Parts Name	Qty	Unit	Technical Data	Serial No (Start)	Serial No (End)	Remarks	Pages
1	42973361300	HARNESS	1						

AT-100-5 42063540231 UPPER,LOWER,ISUZU TKG-NKR85AN-EE5AHY-JM

Pos No.	Parts No	Parts Name	Qty	Unit	Technical Data	Serial No (Start)	Serial No (End)	Remarks	Pages
100	42356280010	HARNESS	1						
	42356280010	HARNESS	1						
	42356280010	HARNESS	1						

AT-100-5 42063540231 UPPER,LOWER,ISUZU TKG-NKR85AN-EE5AHY-JM

Pos No.	Parts No	Parts Name	Qty	Unit	Technical Data	Serial No (Start)	Serial No (End)	Remarks	Pages
1	82182819835	DIODE	4		1.5A				
2	82182819823	DIODE	3		1.5A				
3	82182809623	DIODE	2						
100	42654870101	HARNESS (MAIN)	1						

AT-100-5 42063540231 UPPER,LOWER,ISUZU TKG-NKR85AN-EE5AHY-JM

Pos No.	Parts No	Parts Name	Qty	Unit	Technical Data	Serial No (Start)	Serial No (End)	Remarks	Pages
100	42509571600	HARNESS	1						

AT-100-5 42063540231 UPPER,LOWER,ISUZU TKG-NKR85AN-EE5AHY-JM

Pos No.	Parts No	Parts Name	Qty	Unit	Technical Data	Serial No (Start)	Serial No (End)	Remarks
100	42973362101	HARNESS (OUTSIDE CAB)	1					

AT-100-5 42063540231 UPPER,LOWER,ISUZU TKG-NKR85AN-EE5AHY-JM

Pos No.	Parts No	Parts Name	Qty	Unit	Technical Data	Serial No (Start)	Serial No (End)	Remarks	Pages
100	42513440100	HARNESS	1						

AT-100-5 42063540231 UPPER,LOWER,ISUZU TKG-NKR85AN-EE5AHY-JM

Pos No.	Parts No	Parts Name	Qty	Unit	Technical Data	Serial No (Start)	Serial No (End)	Remarks	Pages
100	42332521500	HARNESS	1						

AT-100-5 42063540231 UPPER,LOWER,ISUZU TKG-NKR85AN-EE5AHY-JM

Pos No.	Parts No	Parts Name	Qty	Unit	Technical Data	Serial No (Start)	Serial No (End)	Remarks	Pages
100	42510601100	HARNESS	1						

AT-100-5 42063540231 UPPER,LOWER,ISUZU TKG-NKR85AN-EE5AHY-JM

Pos No.	Parts No	Parts Name	Qty	Unit	Technical Data	Serial No (Start)	Serial No (End)	Remarks	Pages
100	42973100200	HARNESS	1						

AT-100-5 42063540231 UPPER,LOWER,ISUZU TKG-NKR85AN-EE5AHY-JM

Pos No.	Parts No	Parts Name	Qty	Unit	Technical Data	Serial No (Start)	Serial No (End)	Remarks	Pages
1	82460027206	HANDLE	1						

CLICK HERE TO **DOWNLOAD** THE COMPLETE MANUAL

- Thank you very much for reading the preview of the manual.
- You can download the complete manual from: www.heydownloads.com by clicking the link below



- Please note: If there is no response to CLICKING the link, please download this PDF first and then click on it.

CLICK HERE TO **DOWNLOAD** THE COMPLETE MANUAL

AT-100-5 42063540231 UPPER,LOWER,ISUZU TKG-NKR85AN-EE5AHY-JM

Pos No.	Parts No	Parts Name	Qty	Unit	Technical Data	Serial No (Start)	Serial No (End)	Remarks	Pages
1	82460027211	HANDLE	1						

AT-100-5 42063540231 UPPER,LOWER,ISUZU TKG-NKR85AN-EE5AHY-JM

Pos No.	Parts No	Parts Name	Qty	Unit	Technical Data	Serial No (Start)	Serial No (End)	Remarks
4	36625115010	JOINT	1					
5	91002801800	O-RING	1		1B P18			
50	36625250000	VALVE,CHECK (UZUMAKI)	1					

AT-100-5 42063540231 UPPER,LOWER,ISUZU TKG-NKR85AN-EE5AHY-JM

Pos No.	Parts No	Parts Name	Qty	Unit	Technical Data	Serial No (Start)	Serial No
1	(*****)	ELEC.ASSY (FRAME)	1				
2	(*****)	ELEC.ASSY,CARRIER	1				
3	(*****)	NAME PLATE ASSY (RUNAWAY PREVENTION)	1				

AT-100-5 42063540231 UPPER,LOWER,ISUZU TKG-NKR85AN-EE5AHY-JM

Pos No.	Parts No	Parts Name	Qty	Unit	Technical Data	Serial No (Start)	Serial No (End)
1	(*****)	ELEC.ASSY (FRAME)	1				
2	(*****)	ELEC.ASSY (CARRIER)	1				
3	(*****)	SUPPORT ASSY	1				
5	(*****)	NAME PLATE ASSY (WEDGE INTERLOCK)	1				

AT-100-5 42063540231 UPPER,LOWER,ISUZU TKG-NKR85AN-EE5AHY-JM

Pos No.	Parts No	Parts Name	Qty	Unit	Technical Data	Serial No (Start)	Serial No (End)	Remarks	Pages
1	42262250300	BUCKET	1						

AT-100-5 42063540231 UPPER,LOWER,ISUZU TKG-NKR85AN-EE5AHY-JM

Pos No.	Parts No	Parts Name	Qty	Unit	Technical Data	Serial No (Start)	Serial No (End)	R
1	42266920101	BUCKET (WHITE/WITHOUT BOSS)	1					

AT-100-5 42063540231 UPPER,LOWER,ISUZU TKG-NKR85AN-EE5AHY-JM

Pos No.	Parts No	Parts Name	Qty	Unit	Technical Data	Serial No (Start)	Serial No (End)	Rem
1	42266640101	BUCKET (WHITE/DRAIN HOLE)	1					
2	42477661000	MAT	1					

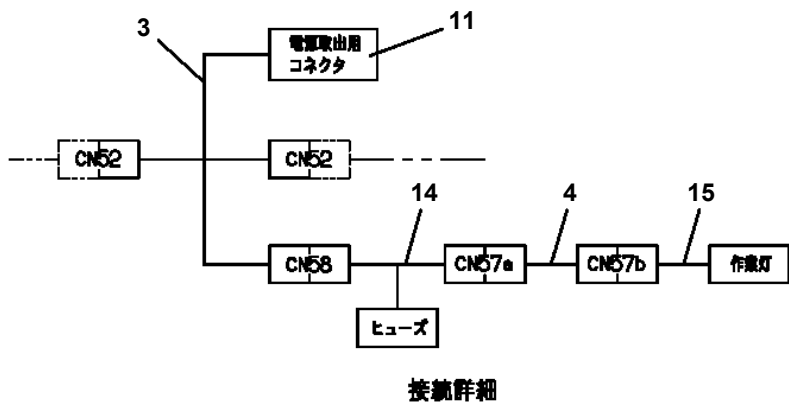
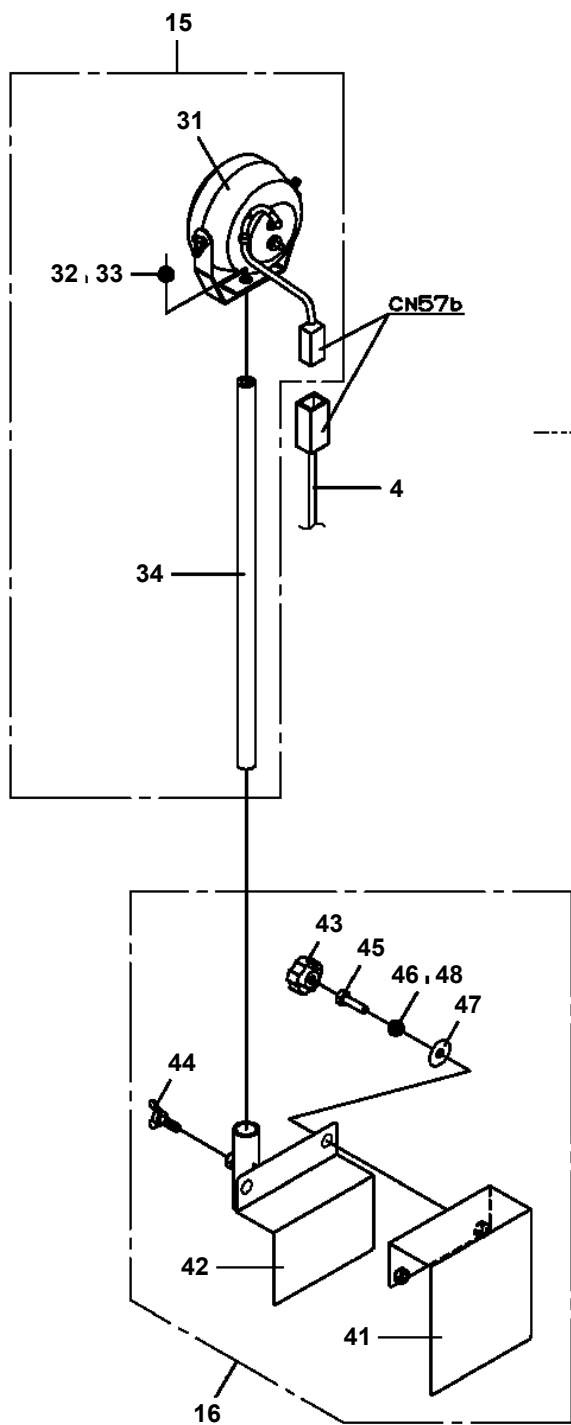
AT-100-5 42063540231 UPPER,LOWER,ISUZU TKG-NKR85AN-EE5AHY-JM

Pos No.	Parts No	Parts Name	Qty	Unit	Technical Data	Serial No (Start)	Serial No (End)	Remarks	Pages
1	42502360000	COVER	1						

AT-100-5 42063540231 UPPER,LOWER,ISUZU TKG-NKR85AN-EE5AHY-JM

Pos No.	Parts No	Parts Name	Qty	Unit	Technical Data	Serial No (Start)	Serial No (End)	Remarks	Pages
1	42332897530	JOY STICK	1						
2	42332897520	JOY STICK	1						
3	42332897730	PANEL	1						
11	42331247590	BOOT	2						
100	42332892500	OPE.ASSY	1						

AT-100-5 42063540231 UPPER,LOWER,ISUZU TKG-NKR85AN-EE5AHY-JM
 PL5140014-00 LAMP ASSY,WORKING (BUCKET/100V,2POLES,LED)



A

AT-100-5 42063540231 UPPER,LOWER,ISUZU TKG-NKR85AN-EE5AHY-JM

Pos No.	Parts No	Parts Name	Qty	Unit	Technical Data	Serial No (Start)	Serial No (End)	Remarks
101	42837377580	ACTUATOR	2					
	42837377580	ACTUATOR	2					
102	42837377590	LOCK ASSY	2					
	42837377590	LOCK ASSY	2					
103	42837377600	SUPPORT	2					
	42837377600	SUPPORT	2					
104	42837377610	LINK	1					
	42837377610	LINK	1					
105	42837377620	LINK	1					
	42837377620	LINK	1					
106	42837377630	STOPPER	2					
	42837377630	STOPPER	2					
107	42837377640	NUT	2					
	42837377640	NUT	2					
108	42837377650	BEARING	2					
	42837377650	BEARING	2					
109	42837377660	PLATE	4					
	42837377660	PLATE	4					
110	42837377670	SPACER	2					
	42837377670	SPACER	2					
111	42837377680	SCREW,MACHINE	6		M4X20			
	42837377680	SCREW,MACHINE	6		M4X20			
112	42837377690	SCREW,MACHINE	2		M4X16			
	42837377690	SCREW,MACHINE	2		M4X16			
113	32830487740	SCREW,MACHINE (SEMS)	2		M4X10			
	32830487740	SCREW,MACHINE (SEMS)	2		M4X10			
114	42837377700	SCREW,MACHINE	6		M4X8			
	42837377700	SCREW,MACHINE	6		M4X8			
115	42837377710	SCREW,MACHINE	4		M4X12			
	42837377710	SCREW,MACHINE	4		M4X12			
116	42837377720	SCREW,MACHINE	4		M4X14			
	42837377720	SCREW,MACHINE	4		M4X14			
117	42837377730	WASHER,PLAIN	14		M4			
	42837377730	WASHER,PLAIN	14		M4			
118	42837377740	WASHER,SPRING	20		M4			
	42837377740	WASHER,SPRING	20		M4			
119	42837377750	NUT	6		M4			
	42837377750	NUT	6		M4			
120	42837377850	LOCK ASSY	1					
	42837377850	LOCK ASSY	1					
121	42837377860	U-NUT	2					
	42837377860	U-NUT	2					
200	42837377520	LOCK ASSY	1					
	42837377520	LOCK ASSY	1					

AT-100-5 42063540231 UPPER,LOWER,ISUZU TKG-NKR85AN-EE5AHY-JM

Pos No.	Parts No	Parts Name	Qty	Unit	Technical Data	Serial No (Start)	Serial No (End)
1	42839551050	LOCK ASSY (U9SL99-2,ASSY ONLY)	2				
2	82460027206	HANDLE	2				

AT-100-5 42063540231 UPPER,LOWER,ISUZU TKG-NKR85AN-EE5AHY-JM

Pos No.	Parts No	Parts Name	Qty	Unit	Technical Data	Serial No (Start)	Serial No (End)
1	42839551100	LOCK ASSY (U9SL99-2,ASSY ONLY)	2				
2	82460027211	HANDLE	2				

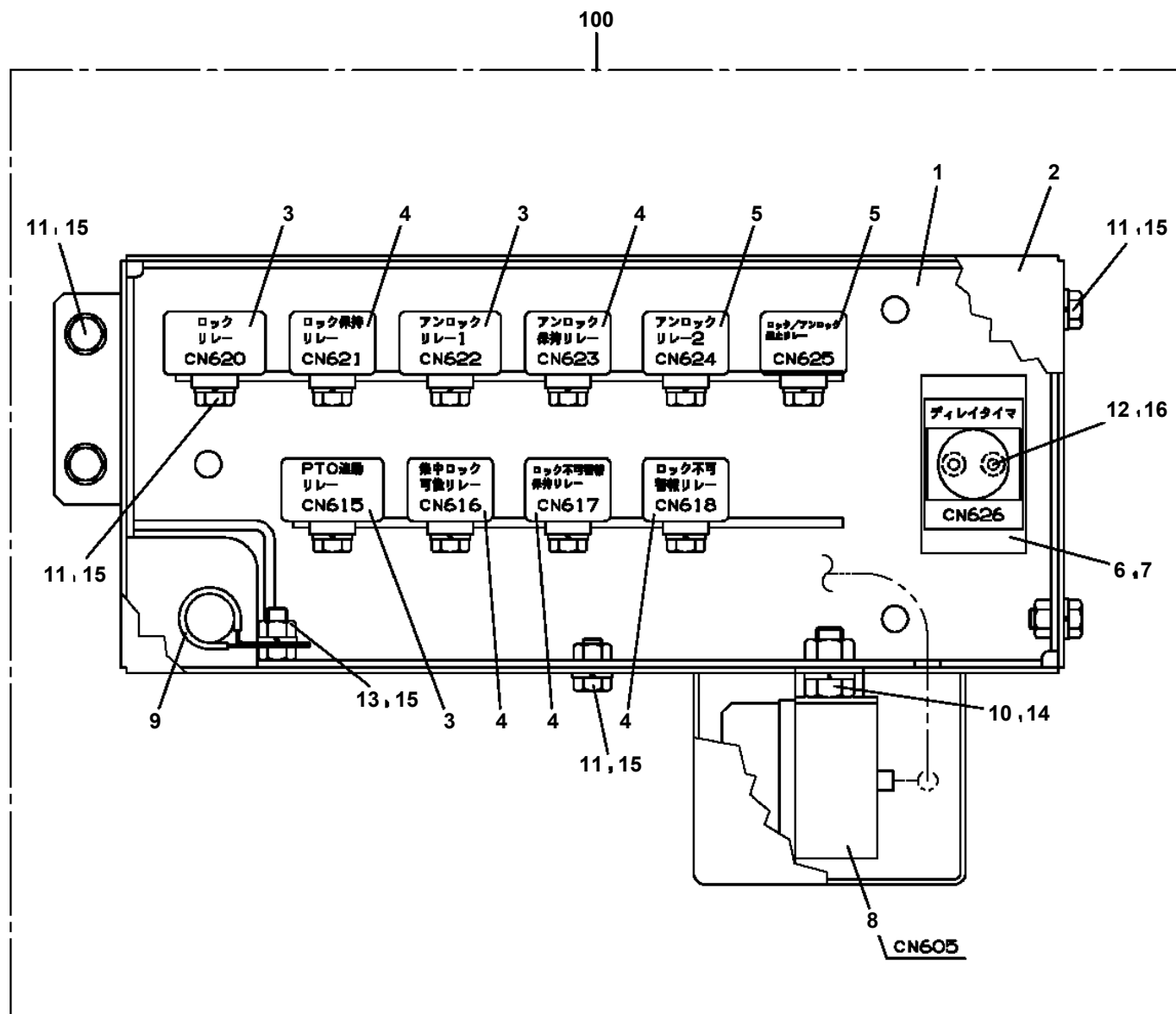
AT-100-5 42063540231 UPPER,LOWER,ISUZU TKG-NKR85AN-EE5AHY-JM

Pos No.	Parts No	Parts Name	Qty	Unit	Technical Data	Serial No (Start)	Serial No (End)	Remarks	Pages
1	42973365100	HARNESS	1						000186
3	91810132530	FASTENER	20						
4	82100002597	RELAY	1						
5	90101206016	BOLT	1		M6X16				

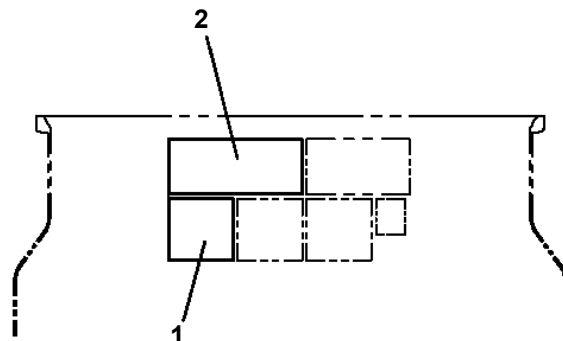
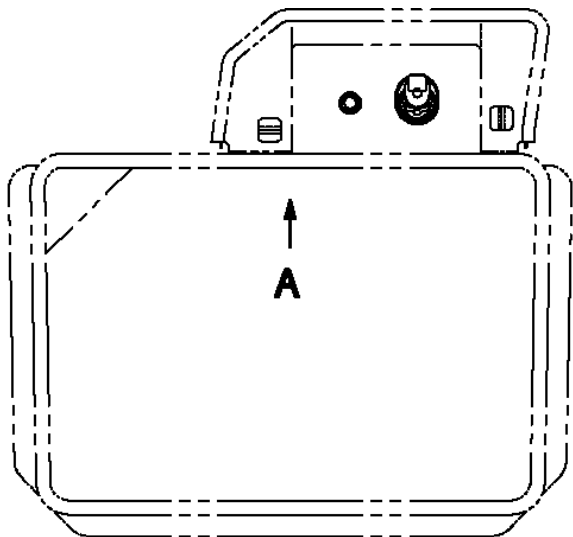
AT-100-5 42063540231 UPPER,LOWER,ISUZU TKG-NKR85AN-EE5AHY-JM

Pos No.	Parts No	Parts Name	Qty	Unit	Technical Data	Serial No (Start)	Serial No (End)	Remarks
1	36663955100	SHAFT	1					
2	80500006206	BEARING,BALL	1					
4	91001206500	O-RING	1		1A G65			
5	36660025021	COVER (OIL SEAL)	1					
6	36660025140	SEAL,OIL	1					
7	36663485110	RING,RETAINING	1		R72			
8	36663955020	PLATE,THRUST	1					
9	36663955030	BARREL ASSY (CYLINDER)	1					
10	36663955040	PLATE (VALVE)	1					
11	36661925030	COVER (BOTTOM)	1					
12	80500006203	BEARING,BALL	1					
13	36662355110	PIN	2					
14	36663955050	O-RING	1					
15	36663955060	BOLT	6		M10X35			
16	14125151020	KEY	1					
17	36660125060	PLUG	2		PF3/8			
18	36081315130	PROTECTOR (THREAD)	2					
44	36660025100	SPRING (PLUNGER)	5					
45	14125151300	RING,RETAINING	1					
46	12645103171	SPRING (CENTER)	1					
100	36664070000	MOTOR,OIL	1					

AT-100-5 42063540231 UPPER,LOWER,ISUZU TKG-NKR85AN-EE5AHY-JM
 PN1100084-00 RELAY BOX



AT-100-5 42063540231 UPPER,LOWER,ISUZU TKG-NKR85AN-EE5AHY-JM
PN5010696-01 NAME PLATE ASSY (INSIDE BUCKET)



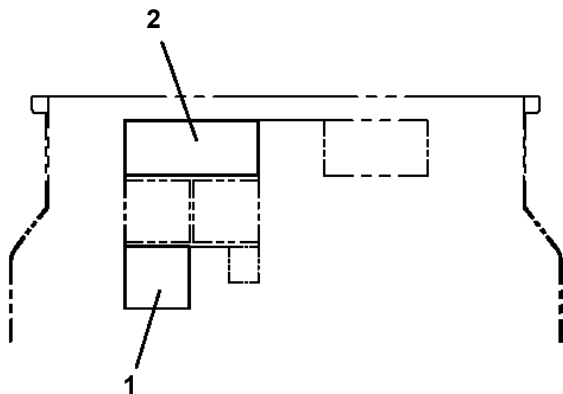
A

AT-100/AT-110の場合

1

ブーム操作方法

- ブーム操作は操作レバーのイネーブルスイッチを押しながら、操作してください。
- 自動巻上スイッチはスイッチのレバーを引き上げてから、操作してください。



A

AT-121の場合

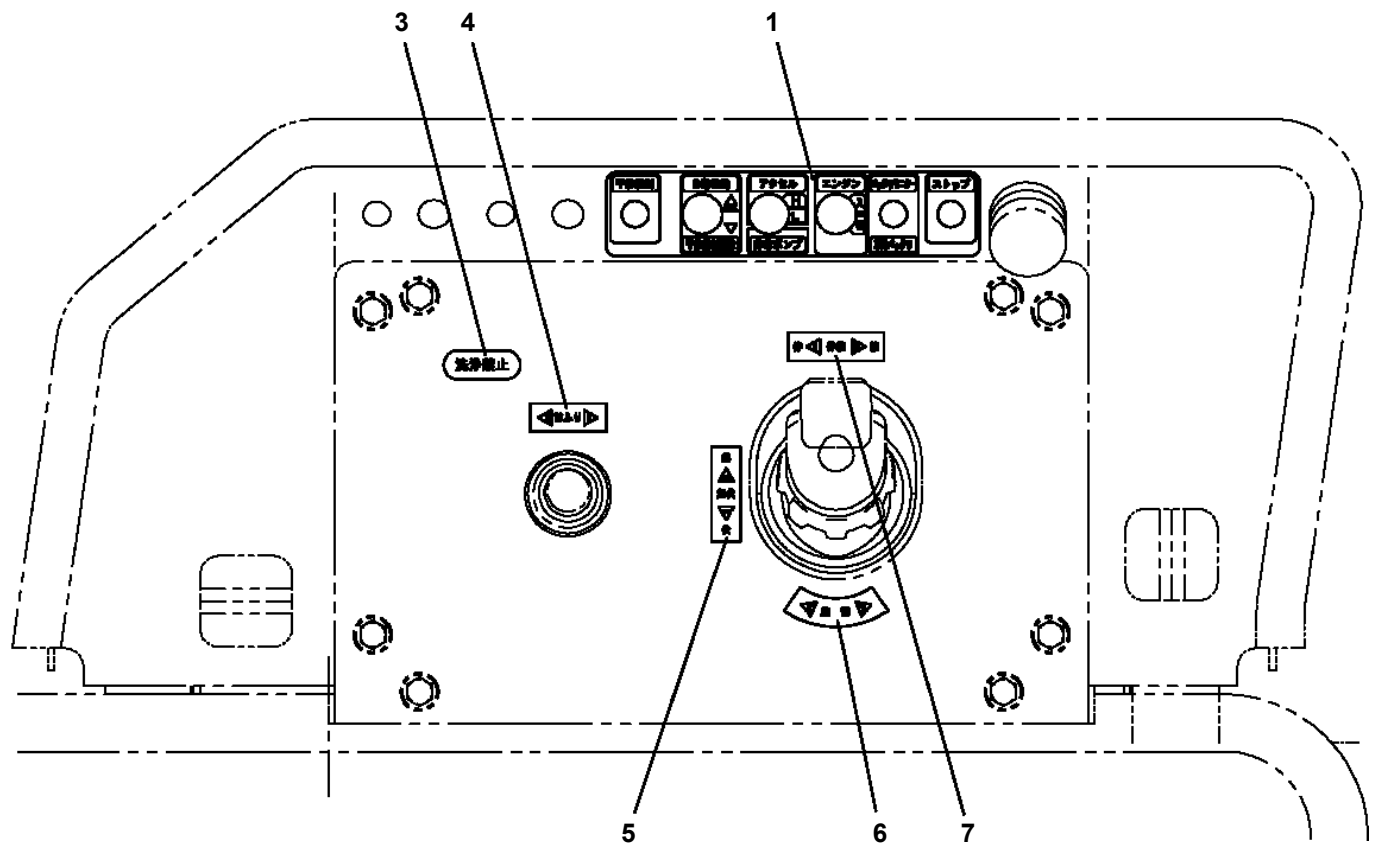
2

△警告 / 作業開始前点検	作業車が動かない場合の点検
<p>その日の作業を行う前には取扱説明書に従って、次の「作業開始前点検」を行ってください。</p> <ul style="list-style-type: none"> ○AMCの点検。 *AMC作業開始前点検要領に従って確認。 ○アウトリガ・ブーム・バケットの作動確認。 *異音、ガタツキ、油漏れ等がないこと。 ○バケット水平装置の作動確認。 *起伏操作時に水平の狂いがないこと。 ○緊急停止装置・イネーブルスイッチ等安全装置の作動確認。 *確実に停止すること。 	<ul style="list-style-type: none"> ○ストップスイッチ表示ランプが点灯していませんか？ (バケット部、車両後部、車両後部の3ヶ所) →安全確認後、ストップスイッチを解除し、ランプを消してください。 ○ジャッキインジケータは点灯していますか？ →ジャッキを調整し、ジャッキインジケータを点灯させてください。 ○イネーブルスイッチを押していますか？ (バケット部) →イネーブルスイッチを押してください。

AT-100-5 42063540231 UPPER,LOWER,ISUZU TKG-NKR85AN-EE5AHY-JM

Pos No.	Parts No	Parts Name	Qty	Unit	Technical Data	Serial No (Start)	Serial No (End)	Remarks	Pages
1	42391860700	REFLECTOR (RED)	2						

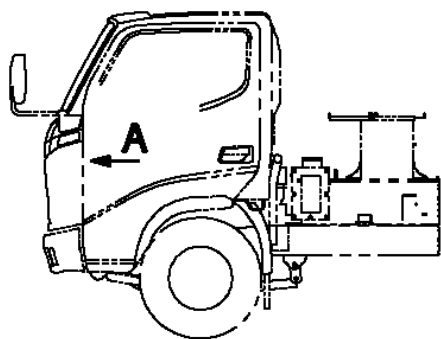
AT-100-5 42063540231 UPPER,LOWER,ISUZU TKG-NKR85AN-EE5AHY-JM
PN5010752-00 NAME PLATE ASSY (BUCKET CONTROL)



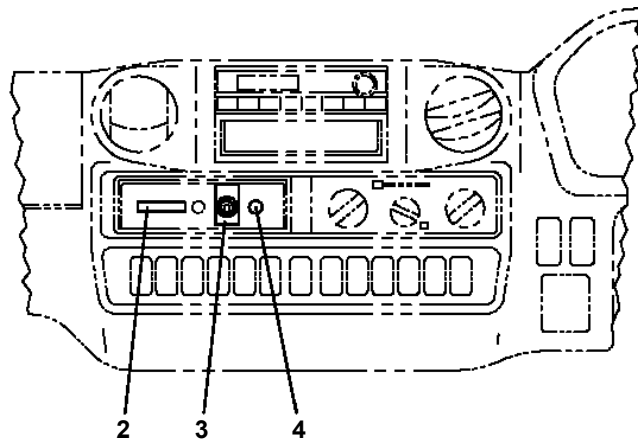
AT-100-5 42063540231 UPPER,LOWER,ISUZU TKG-NKR85AN-EE5AHY-JM

Pos No.	Parts No	Parts Name	Qty	Unit	Technical Data	Serial No (Start)	Serial No (End)	Remarks	Pages
1	82444100400	PLATE,NAME	1						

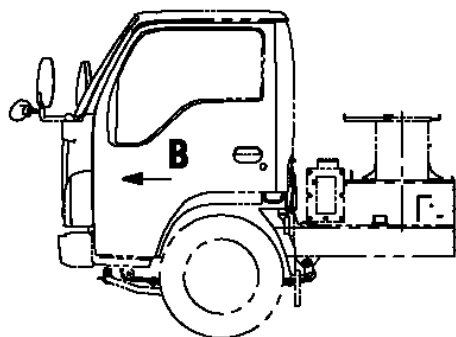
AT-100-5 42063540231 UPPER,LOWER,ISUZU TKG-NKR85AN-EE5AHY-JM
 PN5011170-00 NAME PLATE ASSY (WEDGE INTERLOCK)



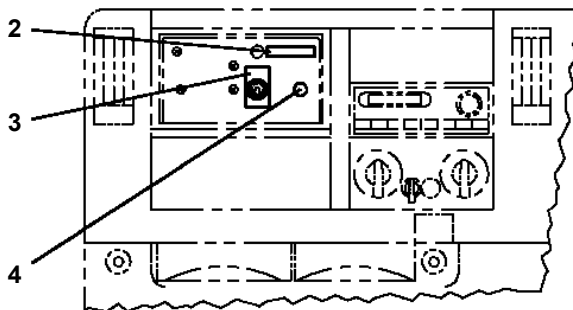
日野・トヨタ TKG-XZU600



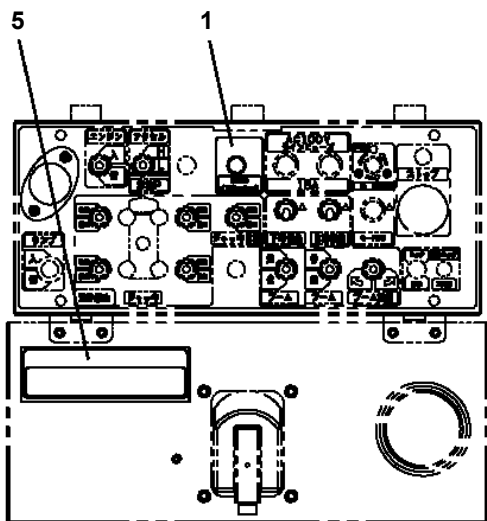
A



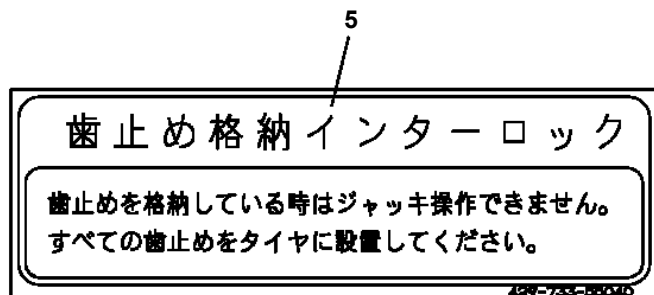
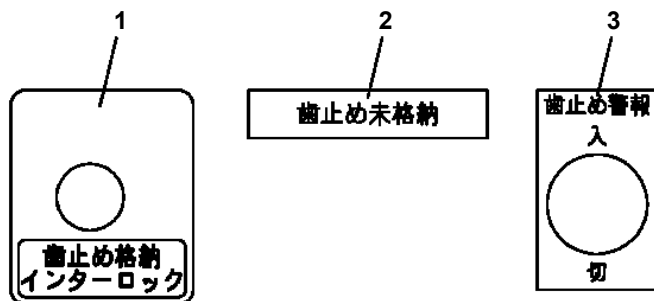
いすゞ TPG-NKR85AN



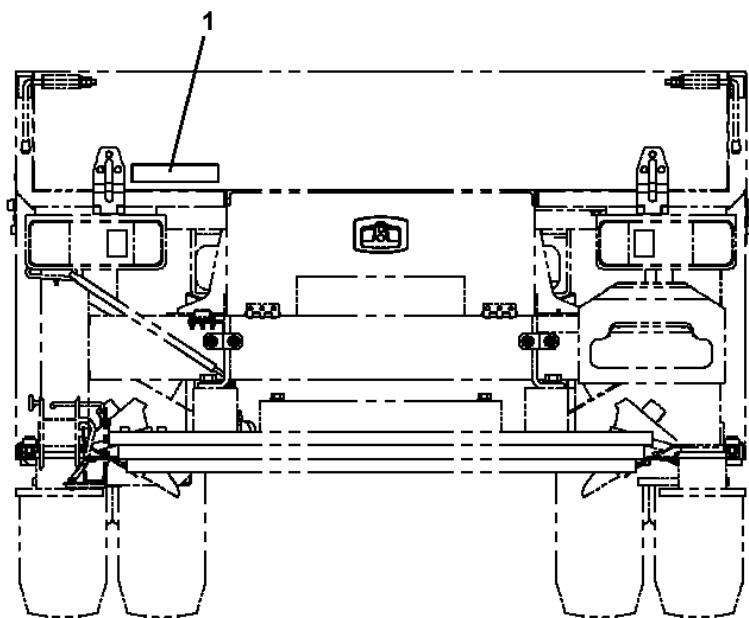
B



後端操作BOX部
 (扉を開いた状態)

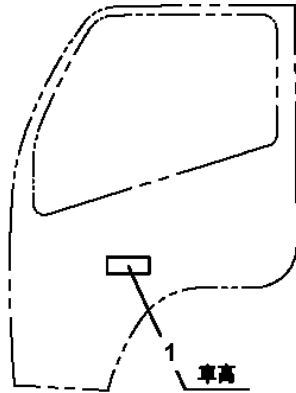


AT-100-5 42063540231 UPPER,LOWER,ISUZU TKG-NKR85AN-EE5AHY-JM
PN5011597-00 NAME PLATE ASSY (MAXIMUM LOADING CAPACITY:250KG)

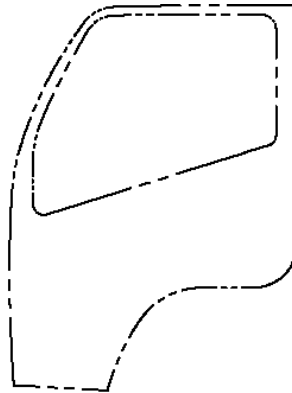


1
最大積載量 250Kg

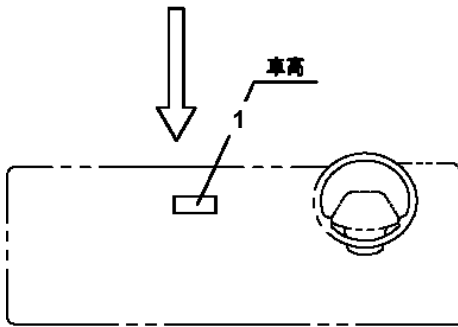
AT-100-5 42063540231 UPPER,LOWER,ISUZU TKG-NKR85AN-EE5AHY-JM
 PO1014399-04 PLATE ASSY,NAME (VEHICLE HEIGHT,CAPACITY,AIR PRESSURE)



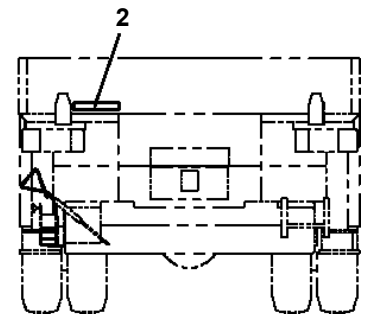
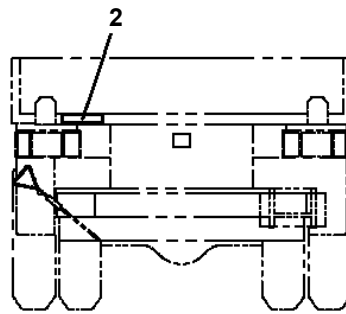
ドア内側参考貼付位置



ドア内側参考貼付位置



インパネ部参考貼付位置



AT-110TE-1

AT-100-4
 AT-110-4
 AT-100-5
 AT-110-5

車輛後方より見る

1
 車高 2.8^m

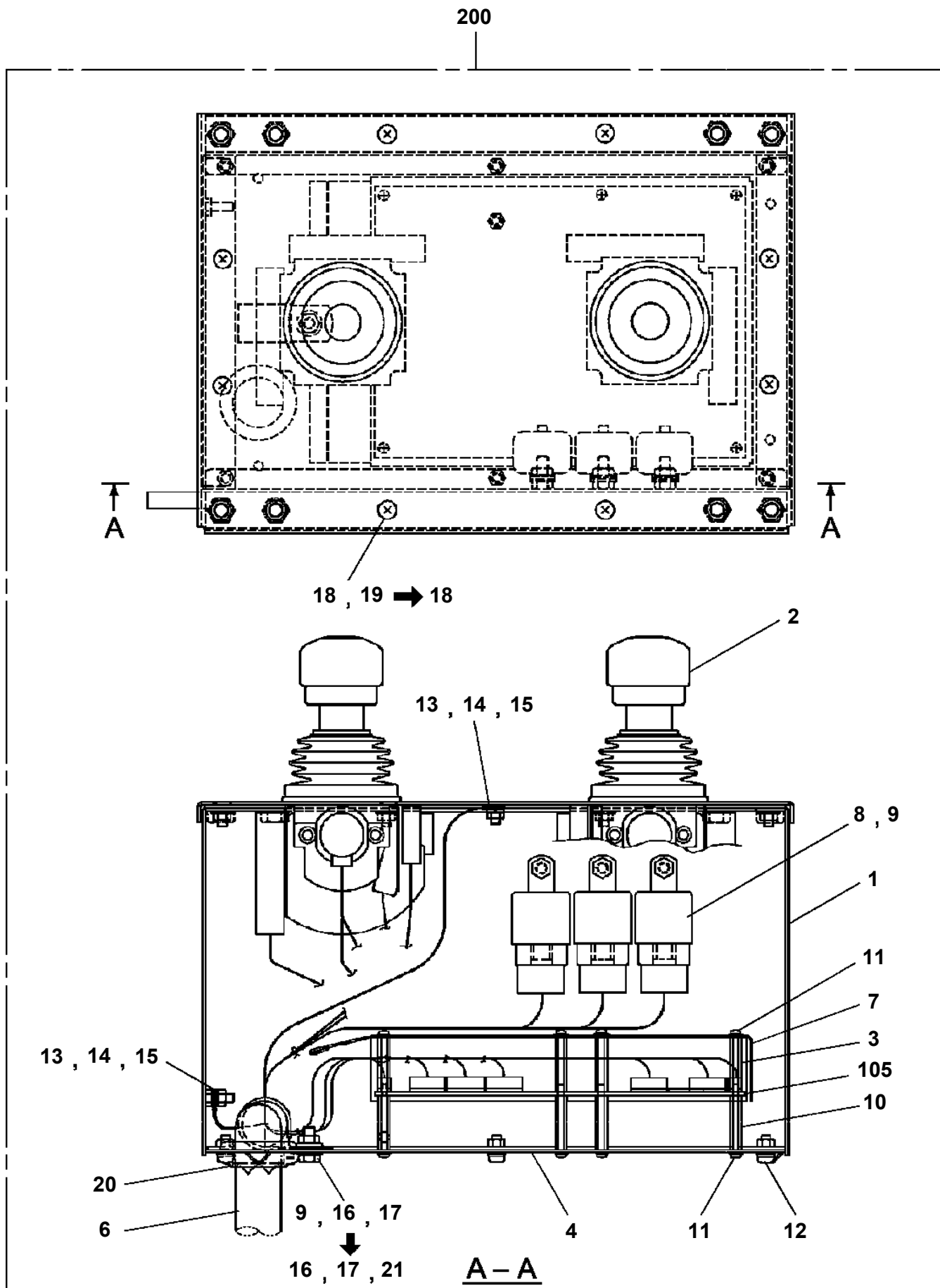
2
 最大積載量 350Kg

3
 タイヤ空気圧 kPa (kgf/cm²)

タイヤサイズ	前輪	後輪
195/85R16	600	600
114/112L	(6.00)	(6.00)
205/80R17.5	600	600
120/118L	(6.00)	(6.00)
205/85R16	600	600
117/115L	(6.00)	(6.00)
215/70R17.5	775	775
123/121J	(7.75)	(7.75)
215/85R16	600	600
120/118L	(6.00)	(6.00)
225/75R16	600	600
118/116L	(6.00)	(6.00)
225/85R16	600	600
121/119L	(6.00)	(6.00)
225/80R17.5	700	700
123/122L (14PRL)	(7.00)	(7.00)
7.00-16-12PRL	575	575
	(5.75)	(5.75)
7.50-16-10PRL	525	525
	(5.25)	(5.25)
7.50-16-12PRL	600	600
	(6.00)	(6.00)
7.50-16-14PRL	650	650
	(6.50)	(6.50)
7.50R16-12PRL	650	650
	(6.50)	(6.50)
7.50R16-14PRL	700	700
	(7.00)	(7.00)

○ 1Eの空気圧を基準してください。
 370-022-24480

AT-100-5 42063540231 UPPER,LOWER,ISUZU TKG-NKR85AN-EE5AHY-JM
PO5010015-01 OPE.ASSY



**AT-100-5 42063540231 UPPER,LOWER,ISUZU TKG-NKR85AN-EE5AHY-JM
PO5050039-01 OPE.ASSY,BUCKET (WITH 3-AXIS ENABLE SW)**

指示番号 KEY NO.	オペ .ASSY,ハ`ケツト (3ジ`クイネーフ`ルSWツキ) OPE.ASSY,BUCKET (WITH 3-AXIS ENABLE SW)
1	オペ .ASSY,ハ`ケツト OPE.ASSY,BUCKET
2	ネームプ`レートASSY (ハ`ケツトソウサフ`) NAME PLATE ASSY (BUCKET CONTROL)
3	ネームプ`レートASSY (ハ`ケツトナイメン) NAME PLATE ASSY (INSIDE BUCKET)
4	ネームプ`レートASSY (アンセ`ンタイヨウローフ`カケ) NAME PLATE ASSY (SAFETY BELT HOOK HOLDER)

AT-100-5 42063540231 UPPER,LOWER,ISUZU TKG-NKR85AN-EE5AHY-JM

Pos No.	Parts No	Parts Name	Qty	Unit	Technical Data	Serial No (Start)	Serial No (End)	R
1	42321220300	SUPPORT	1				HK0420	
	42321220301	SUPPORT	1			HK0421	HK0730	
2	42321220200	SUPPORT	1				HK0408	
3	42321151001	COVER ASSY	1					
4	42321220401	COVER	1				HK0408	
6	90101210035	BOLT	4		M10X35			
7	90302041001	WASHER,SPRING	9		10			
9	42626333500	SUPPORT	1				HK0408	
10	90101208080	BOLT	1		M8X80			
11	90302040801	WASHER,SPRING	13		8		HK0408	
	90302040801	WASHER,SPRING	14		8	HK0409		
12	90201200800	NUT	2		M8		HK0408	
	90201200800	NUT	3		M8	HK0409		
13	90101208020	BOLT	7		M8X20			
14	37000549940	PLATE	3		T=3.2		HK0408	
	37000549940	PLATE	5		T=3.2	HK0409	HK0730	
	37000549940	PLATE	7		T=3.2	HK0731		
15	90101208025	BOLT	2		M8X25			
16	37000547660	PLATE	6		T=2.3			
17	90172108080	BOLT,HEXAGON SOCKET	1		M8X80			
18	90101210020	BOLT	5		M10X20			
19	90101208030	BOLT	1		M8X30	HK0409		
21	42321220302	SUPPORT	1			HK0731		
22	42321210300	SUPPORT	1			HK0409	HK0730	
	42321210301	SUPPORT	1			HK0731	HK0952	
23	42626333501	SUPPORT	1			HK0409	HK0952	
24	42321220500	COVER	1			HK0409		
32	42321210700	SUPPORT	1			HK0953		
33	42321220700	SUPPORT	1			HK0953		
41	36742260000	VALVE ASSY,REMOTE CONTROL	1					
42	80430620600	JOINT (WITH O-RING)	2		L,G3/8-G3/8			
43	37000925870	JOINT	4		PF1/2-PF3/8			
44	91002801800	O-RING	8		1B P18			
45	80302090151	FITTING	2		KCO12-040N			
46	37000925660	JOINT	1		S,G3/4-G1/2			
47	80302090251	FITTING	1		KCO018-060N			
48	91002802400	O-RING	2		1B P24			
49	80491303030	JOINT (WITH O-RING)	2		L,PF3/8-PF3/8			
50	80302090201	FITTING	1		KCO15-040N			
51	80303130201	FITTING,ELBOW	1		KLO15-040E			
61	36742170000	VALVE ASSY (JACK CONTROL)	1					
62	80302090141	FITTING	4		KCO12-020N			
63	91002801100	O-RING	9		1B P11			
64	80302090231	FITTING	1		KCO18-030N			
65	91002801400	O-RING	3		1B P14		HK0408	
	91002801400	O-RING	4		1B P14			
	91002801400	O-RING	3		1B P14	HK0409		
66	80302090181	FITTING	2		KCO15-030N		HK0408	
	80302090181	FITTING	1		KCO15-030N	HK0409		
67	80481702020	JOINT	1		L,G1/4-G1/4			
68	42343356020	FITTING	4		S,G1/4-12			
69	36033123000	ORIFICE	4					
90	80303130181	FITTING,ELBOW	1		KLO15-030E	HK0409		

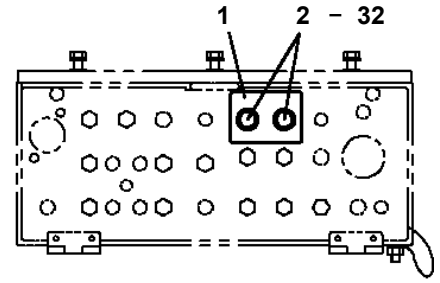
AT-100-5 42063540231 UPPER,LOWER,ISUZU TKG-NKR85AN-EE5AHY-JM

Pos No.	Parts No	Parts Name	Qty	Unit	Technical Data	Serial No (Start)	Serial No (End)	Remarks	P
1	42615002000	FRAME	1						
2	36037590000	CYLINDER ASSY,JACK	1						0
3	37000176340	PIN	1						
4	80136380045	PIN,SPLIT	2		8X45				
5	37002020520	PLATE,SLIDE	2						
6	37000584340	PLATE	4		T=1.0				
8	36625740001	VALVE,CHECK	1						0
9	90171108055	BOLT	4		M8X55				
10	80400160127	JOINT	2						
11	37002410430	HOSE	1		L=630				
12	37002419430	HOSE	1		L=650				
14	36672630000	FILTER (WITH O-RING)	1						
15	91002801100	O-RING	2		1B P11				
20	82100001412	TUBE,SPIRAL	1	M	SE-12BK				
23	80320020075	FITTING	2		KUF12-020N				
41	91002801100	O-RING	1		1B P11				
53	42615002090	SUPPORT	2		D25X51				
54	90101210120	BOLT	2		M10X120				
55	90302041001	WASHER,SPRING	2		10				
56	90201201000	NUT	2		M10				
100	42615001001	OUTRIGGER ASSY	1						

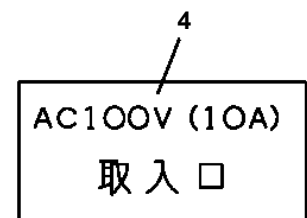
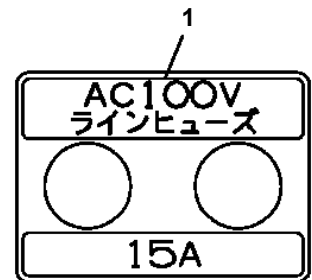
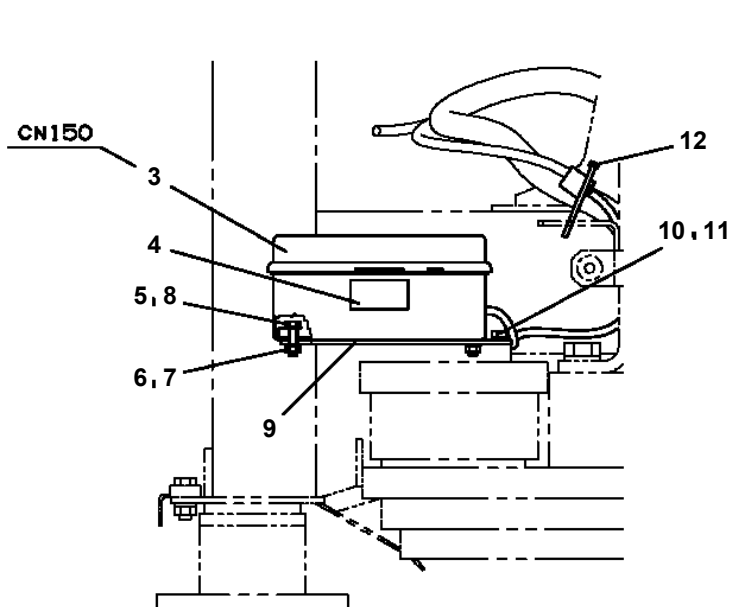
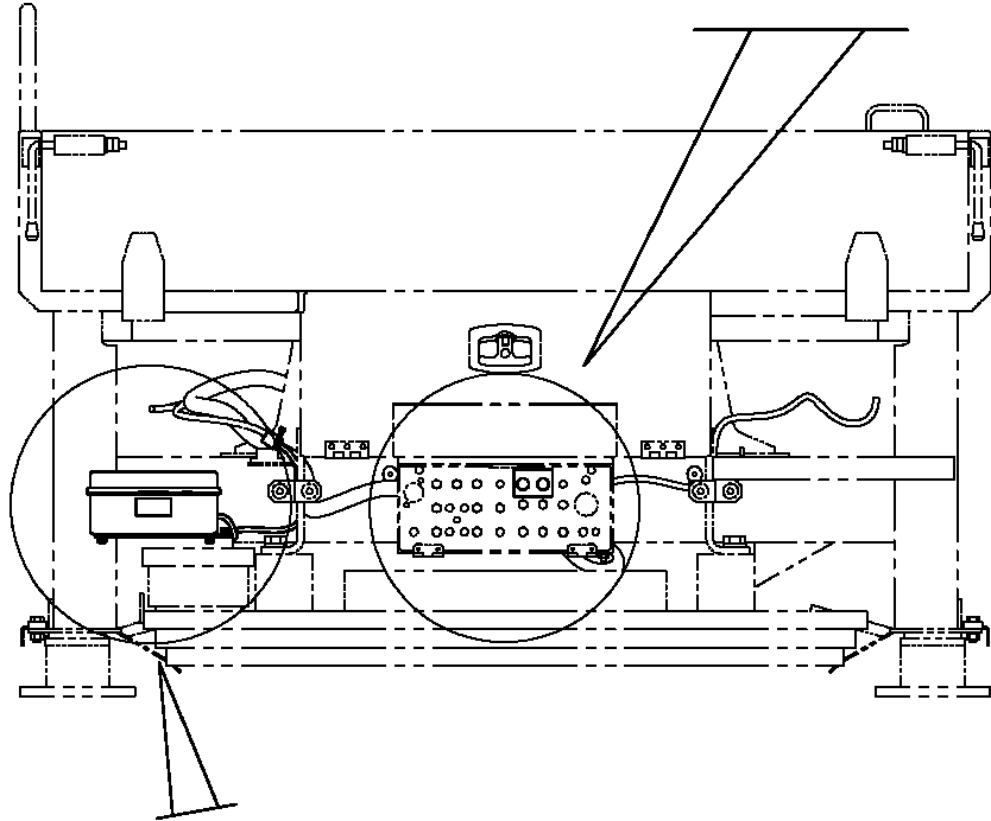
AT-100-5 42063540231 UPPER,LOWER,ISUZU TKG-NKR85AN-EE5AHY-JM

Pos No.	Parts No	Parts Name	Qty	Unit	Technical Data	Se
1	(*****)	PIPING ASSY	1			
2	(*****)	ELEC.ASSY	1			
3	(*****)	ELEC.ASSY,BUCKET	1			
4	(*****)	MOUNT ASSY	1			
5	42507430100	BATTERY CHARGER (WITH CABLE)	1			
6	(*****)	NAME PLATE ASSY (VEHICLE)	1			
7	(*****)	MODIFICATION ASSY (FENDER EXCHANGE)	1			
8	(*****)	MOUNT ASSY,WEIGHT (REAR WEIGHT EXCHANGE:391KG->348KG)	1			

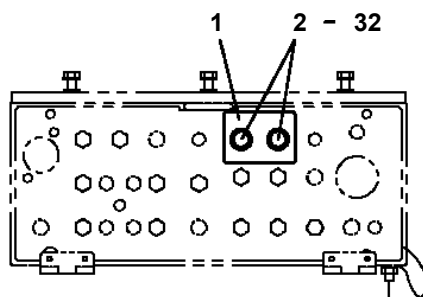
AT-100-5 42063540231 UPPER,LOWER,ISUZU TKG-NKR85AN-EE5AHY-JM
 PP5340025-00 POWER SUPPLY ASSY,ELECTRICITY (HYBRID/3-POLES OUTLET)



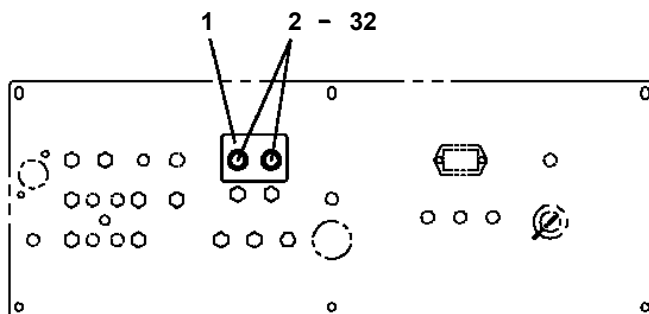
扉を開いた状態



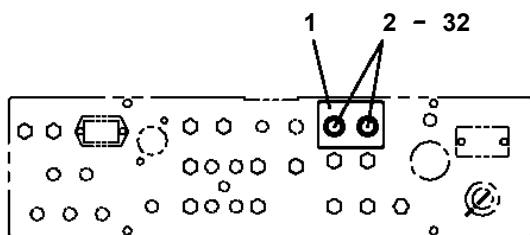
AT-100-5 42063540231 UPPER,LOWER,ISUZU TKG-NKR85AN-EE5AHY-JM
PP5340034-00 POWER SUPPLY ASSY,ELECTRICITY (LOWER,3POLES OUTLET)



(扉を開いた状態)

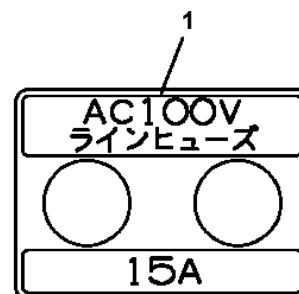


(L仕様の場合)



(B仕様の場合)

A



AT-100-5 42063540231 UPPER,LOWER,ISUZU TKG-NKR85AN-EE5AHY-JM

Pos No.	Parts No	Parts Name	Qty	Unit	Technical Data	Serial No (Start)	Serial No (End)	Remarks	Pa
1	42508772100	FITTING	2						
	42508772100	FITTING	2						
2	42508772210	ORIFICE	2		M12,1.8				
	42508772210	ORIFICE	2		M12,1.8				
3	36672630000	FILTER (WITH O-RING)	2						
	36672630000	FILTER (WITH O-RING)	2						
4	37000924410	JOINT	2		PF1/4-PF1/4				
	37000924410	JOINT	2		PF1/4-PF1/4				
5	91002801100	O-RING	2		1B P11				
	91002801100	O-RING	2		1B P11				
6	42644720400	ORIFICE	2		M8,1.8				
	42644720400	ORIFICE	2		M8,1.8				
24	91002801100	O-RING	2		1B P11				
	91002801100	O-RING	2		1B P11				

AT-100-5 42063540231 UPPER,LOWER,ISUZU TKG-NKR85AN-EE5AHY-JM

Pos No.	Parts No	Parts Name	Qty	Unit	Technical Data	Serial No (Start)	Serial No (End)
1	42643050010	SUPPORT	1				HK0374
2	82100002019	CLAMP	1		WR40		HK0374
3	80456950401	JOINT,SELF SEALING (COUPLER)	1				
4	91002802900	O-RING	3		1B P29		
5	44340011200	JOINT	2		PF1		
6	37002510560	HOSE	1		L=620		
7	91803600400	CLIP	8		D=27-40		
8	36672280000	FILTER,OIL (YAMASHIN)	1				
9	80302090241	FITTING	1		KCO18-040N		
10	91002801800	O-RING	2		1B P18		
11	36625240000	VALVE,CHECK (MORIKAWA GAUGE)	1				
	36625250000	VALVE,CHECK (UZUMAKI)	1				
12	80305151203	FITTING,TEE	1		T,G3/8-D12X2		HK0731
	80305030055	FITTING,TEE	1		KTN12-020N	HK0732	
13	91002801400	O-RING	2		1B P14		
14	80400160131	JOINT	1				
15	37002443110	HOSE	1		L=710		
16	37002504010	HOSE	1		L=750		
17	81408000160	PIPE,STEEL	1	M	12X1.4T		
18	37002504550	HOSE	1		L=250		
19	91803600300	CLIP	4		D=22-30		
20	90101208020	BOLT	4		M8X20		
21	90302040801	WASHER,SPRING	6		8		HK0374
	90302040801	WASHER,SPRING	4		8	HK0375	
22	42648030200	FITTING,FLANGE	1				
23	91001204500	O-RING	1		1A G45		
24	42648030100	JOINT	1		PF3/8:19		
26	90101208025	BOLT	2		M8X25		HK0374
27	90201200800	NUT	2		M8		HK0374
29	80303130141	FITTING,ELBOW	1		KLO12-020E		
30	81408000160	PIPE,STEEL	1	M	12X1.4T		HK0731
31	80307010090	FITTING	1		KSA12-020N		HK0731
32	80302201203	JOINT	1			HK0732	
41	80307040020	JOINT,SOCKET	1			HK0732	
51	91002801100	O-RING	1		1B P11		

AT-100-5 42063540231 UPPER,LOWER,ISUZU TKG-NKR85AN-EE5AHY-JM

Pos No.	Parts No	Parts Name	Qty	Unit	Technical Data	Serial No (Start)	Serial No (End)	Remarks
5	82182819823	DIODE	1		1.5A			
9	34354781710	RELAY (WITH BRACKET)	1					
100	34354781720	RELAY (WITH HARNESS)	1					

AT-100-5 42063540231 UPPER,LOWER,ISUZU TKG-NKR85AN-EE5AHY-JM

Pos No.	Parts No	Parts Name	Qty	Unit	Technical Data	Serial No (Start)	Serial No (End)	Remarks	Pages
1	42972640100	SUPPORT	1						
2	90101210020	BOLT	2		M10X20				
3	90302041001	WASHER,SPRING	3		10				
4	90101210030	BOLT	1		M10X30				
5	90303071001	WASHER,PLAIN	3		10				
6	90201201000	NUT	1		M10				
7	42972640200	SUPPORT	1						

AT-100-5 42063540231 UPPER,LOWER,ISUZU TKG-NKR85AN-EE5AHY-JM

Pos No.	Parts No	Parts Name	Qty	Unit	Technical Data	Serial No (Start)	Serial No (End)	Remarks	Pages
1	42508262100	PLATE	4						
2	42505936010	PLATE	5						
3	42510162300	SUPPORT	1						
5	42510162450	SUPPORT	1						
6	42510162500	SUPPORT	1						
7	42510162600	COVER	1						
8	90101208016	BOLT	6		M8X16				
9	90302040801	WASHER,SPRING	14		8				
10	90303070801	WASHER,PLAIN	14		8				
11	37000508640	PLATE	1				HK0739		
	37010502050	PLATE	1			HK0740			
12	90813108016	BOLT,WING	8		M8X16				
13	90201200800	NUT	1		M8				
39	82400000201	GROMMET	1		KG-016				
100	42510162100	SUPPORT ASSY	1						

AT-100-5 42063540231 UPPER,LOWER,ISUZU TKG-NKR85AN-EE5AHY-JM

Pos No.	Parts No	Parts Name	Qty	Unit	Technical Data	Serial No (Start)	Serial No (End)	Remarks
1	42974270100	SUPPORT	1					
2	42974270200	PLATE,SLIDE	1					
3	90172108012	BOLT,HEXAGON SOCKET	3		M8X12			

AT-100-5 42063540231 UPPER,LOWER,ISUZU TKG-NKR85AN-EE5AHY-JM

Pos No.	Parts No	Parts Name	Qty	Unit	Technical Data	Serial No (Start)	Serial No (End)
1	42654873101	PANEL	1				
2	42651591300	SWITCH ASSY (WITH HARNESS,3 SW)	1				
3	42332521300	SWITCH ASSY (WITH HARNESS)	1				
4	42809631200	LAMP ASSY (RED,WITH HARNESS)	5				
5	42651593400	SWITCH ASSY (WITH HARNESS,1 SW)	1				
6	42433932200	SWITCH ASSY (WITH HARNESS,1 SW)	1				
7	42332062500	SWITCH ASSY (WITH HARNESS,1 SW)	1				
8	42433932100	SWITCH ASSY (WITH HARNESS,1 SW)	1				
9	42653673600	SWITCH ASSY (WITH HARNESS,5 SW)	1				
10	82467300103	PLUG	3				
11	82467300104	PLUG	2				
12	82467300105	PLUG	3				
13	82467300114	PLUG	1				
14	82467300101	PLUG	2				
41	42355641010	COVER	1				
51	42355641210	BUTTON	1				
100	42654873002	SWITCH ASSY	1				

AT-100-5 42063540231 UPPER,LOWER,ISUZU TKG-NKR85AN-EE5AHY-JM

Pos No.	Parts No	Parts Name	Qty	Unit	Technical Data	Serial No (Start)	Serial No (End)	Remarks	Pac
1	82151800020	BATTERY CHARGER	1						
2	91850310405	CLAMP (BLACK)	1						
3	42508783510	CABLE ASSY	1		L=500				
4	42507123520	CABLE ASSY	1		8B,L=800				
5	42507123530	HARNESS	1						
6	37002711340	CABLE	1		L=700				
7	91810130240	FASTENER	1						
8	82100001803	TUBE,CORRUGATE	1	M	13				
100	42510161500	SWITCH ASSY	1						

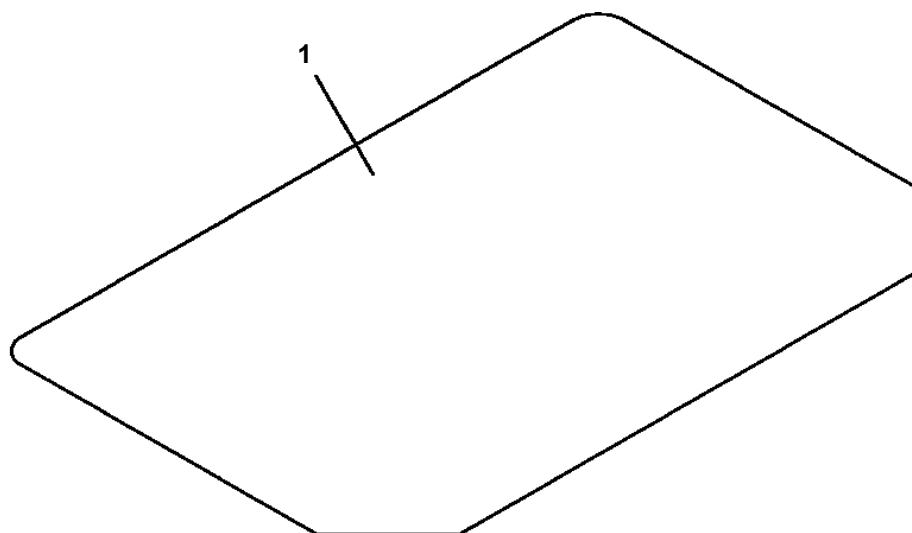
AT-100-5 42063540231 UPPER,LOWER,ISUZU TKG-NKR85AN-EE5AHY-JM

Pos No.	Parts No	Parts Name	Qty	Unit	Technical Data	Serial No (Start)	Serial No (End)	Remarks
1	36103061000	TANK	1					
2	53156005000	BREATHER ASSY (OB-10T)	1					
3	36102120010	CAP	1					
4	91001104800	O-RING	1		1A P48			
5	37002516440	HOSE	1		L=140			
6	91803880040	CLIP	2		D=10-12.2			
7	36102790010	PLUG	1					
8	90303392001	WASHER	1		M20			
22	53156005011	ELEMENT	1					
23	53156005030	PLATE (WITH PACKING)	1					
24	53156005040	PACKING	1					
50	36103060000	TANK ASSY,OIL	1					

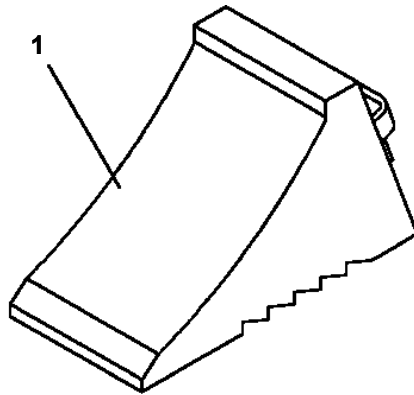
AT-100-5 42063540231 UPPER,LOWER,ISUZU TKG-NKR85AN-EE5AHY-JM

Pos No.	Parts No	Parts Name	Qty	Unit	Technical Data	Serial No (Start)	Serial No (End)	R
1	91002801400	O-RING	2		1B P14			
100	36606450000	VALVE ASSY,COUNTERBALANCE	1					

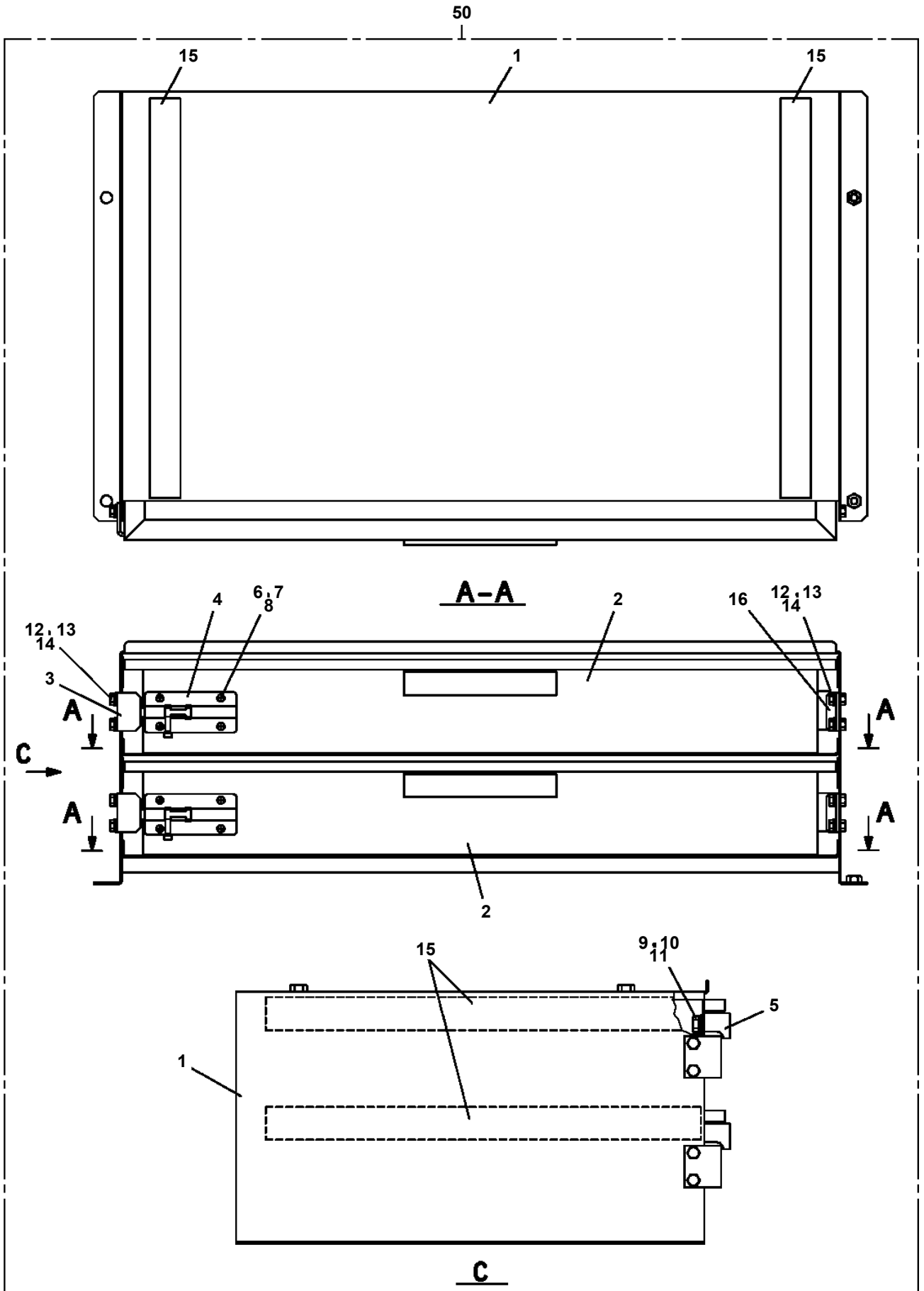
**AT-100-5 42063540231 UPPER,LOWER,ISUZU TKG-NKR85AN-EE5AHY-JM
PW1010309-00 ACCESSORIES (MAT)**



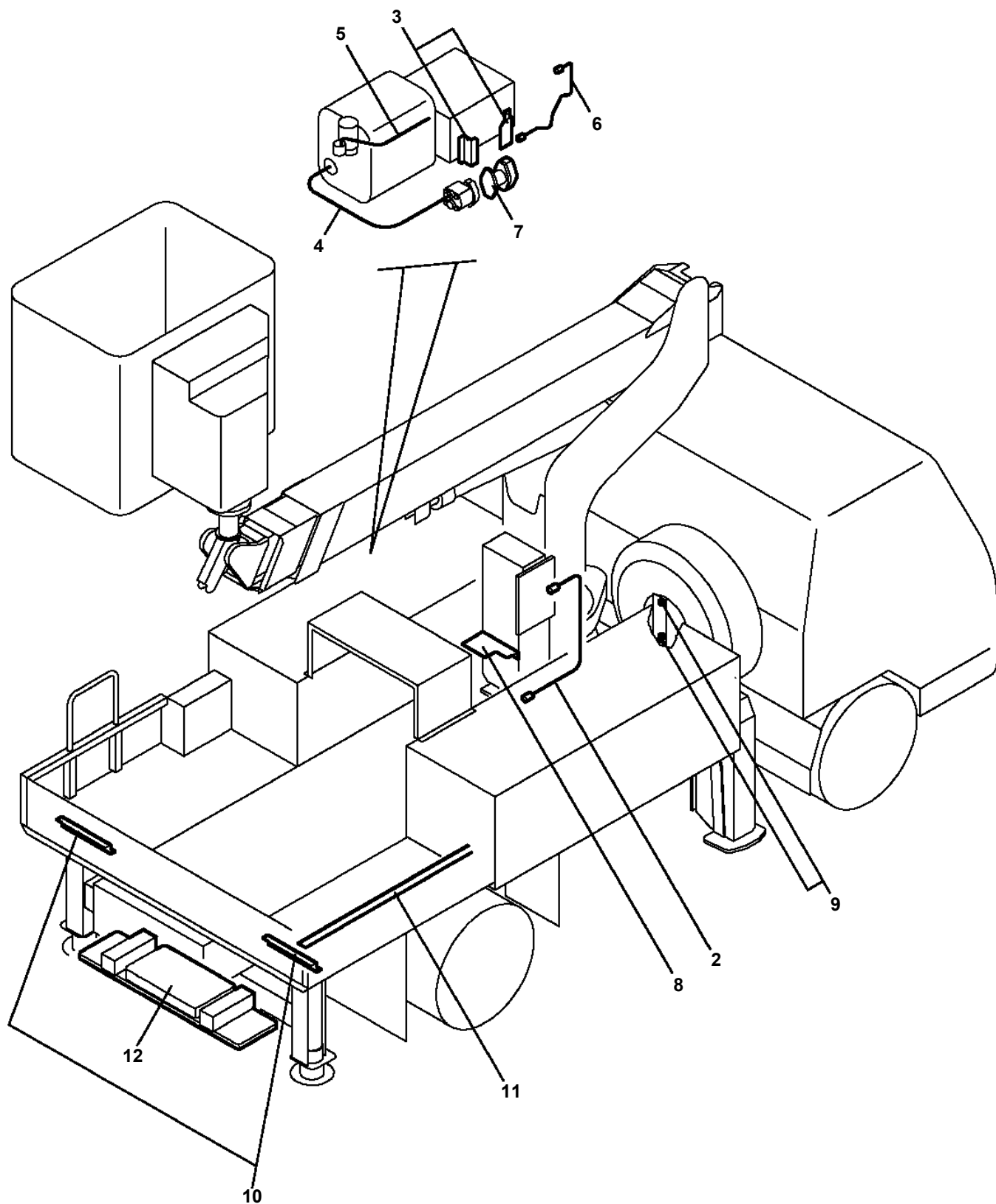
AT-100-5 42063540231 UPPER,LOWER,ISUZU TKG-NKR85AN-EE5AHY-JM
PW5110002-00 WEDGE (STOPPER FOR TIRE/WAZUMI)



AT-100-5 42063540231 UPPER,LOWER,ISUZU TKG-NKR85AN-EE5AHY-JM
PX1351188-00 BOX,TOOL



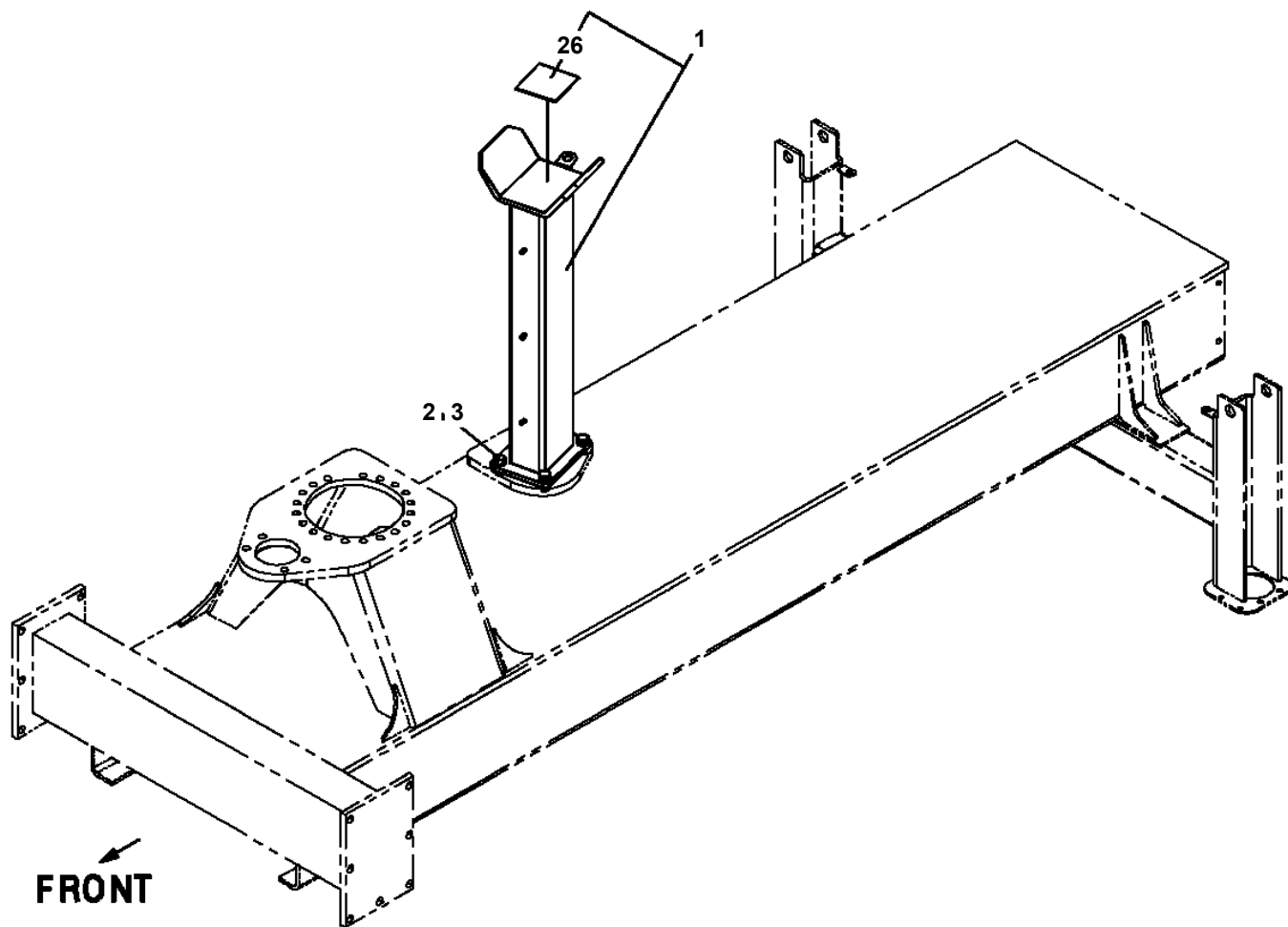
**AT-100-5 42063540231 UPPER,LOWER,ISUZU TKG-NKR85AN-EE5AHY-JM
PX2001444-00 CARRIER UNIT**



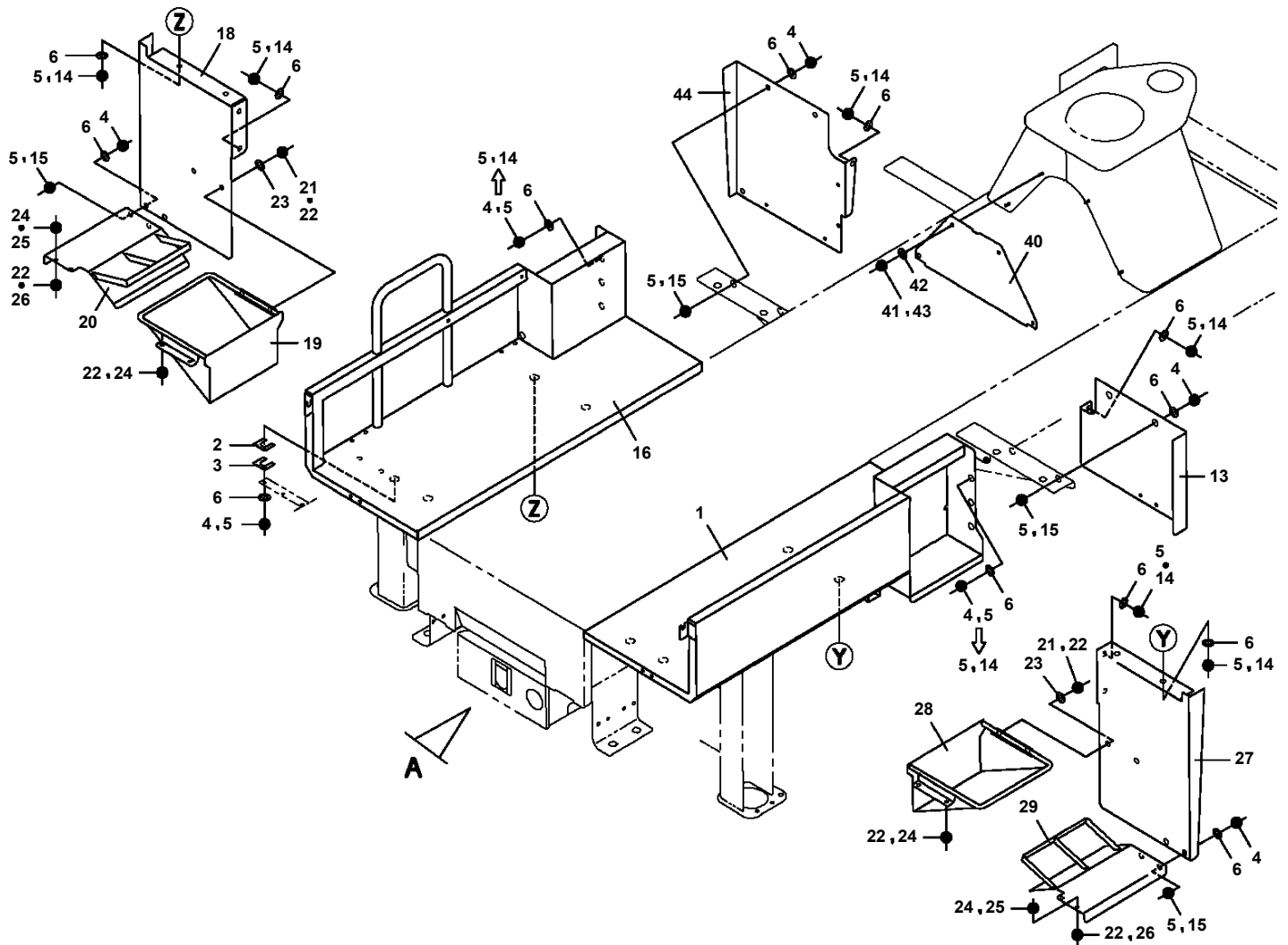
適用製造番号によっては取り付けがないものもあります。

MACHINES OF SOME SERIAL NO. ARE NOT EQUIPPED WITH THESE PARTS.

**AT-100-5 42063540231 UPPER,LOWER,ISUZU TKG-NKR85AN-EE5AHY-JM
PX5110029-00 MOUNT ASSY,BOOM SUPPORT**



**AT-100-5 42063540231 UPPER,LOWER,ISUZU TKG-NKR85AN-EE5AHY-JM
PX5430012-01 MOUNT ASSY, GUARD**



AT-100-5 42063540231 UPPER,LOWER,ISUZU TKG-NKR85AN-EE5AHY-JM

Pos No.	Parts No	Parts Name	Qty	Unit	Technical Data	Serial No (Start)	Serial No (End)	Remarks	Pages
1	42393891060	PLATE (NON-SLIP)	1						
2	42508740010	SUPPORT	1						
3	90101210018	BOLT	2		M10X18				
4	90302041001	WASHER,SPRING	2		10				

AT-100-5 42063540231 UPPER,LOWER,ISUZU TKG-NKR85AN-EE5AHY-JM

Pos No.	Parts No	Parts Name	Qty	Unit	Technical Data	Serial No (Start)	Serial No (End)	Remarks	Pages
1	42902050100	SUPPORT	1						
2	42902050200	SUPPORT	1						
4	91850400601	CLAMP	1						
5	91810132530	FASTENER	10						
6	42900360100	HARNESS	1						
7	90101208016	BOLT	6		M8X16		HK0625		
	90101208016	BOLT	2		M8X16	HK0626			
8	90101206020	BOLT	6		M6X20				
9	90302040801	WASHER,SPRING	6		8				
10	90101206016	BOLT	4		M6X16				
11	90201200600	NUT	8		M6				
12	90302040601	WASHER,SPRING	10		6				
13	90303070601	WASHER,PLAIN	8		6				
14	42902050300	SUPPORT	1						
15	90101208014	BOLT	4		M8X14	HK0626			

AT-100-5 42063540231 UPPER,LOWER,ISUZU TKG-NKR85AN-EE5AHY-JM

Pos No.	Parts No	Parts Name	Qty	Unit	Technical Data	Serial No (Start)	Serial No (End)	Remarks	Pages
1	42839113001	BOX,TOOL	1				HK0751		000037
	42839113002	BOX,TOOL	1			HK0752			000044
2	42839111001	BOX,TOOL	1						000038
3	90101210025	BOLT	8		M10X25				
4	90302041001	WASHER,SPRING	8		10				
5	37000506590	PLATE	12		T=1.6		HK0576		
	37000506590	PLATE	8		T=1.6	HK0577	HK0751		
	37000505950	PLATE	8		T=3.2	HK0752			
6	42839110200	SUPPORT	1						
7	90101208014	BOLT	8		M8X14				
8	42839110100	SUPPORT	2						
11	90302040801	WASHER,SPRING	8		8				
13	37000547660	PLATE	4		T=2.3	HK0577			
31	42398701010	PLATE,CAUTION	2						

AT-100-5 42063540231 UPPER,LOWER,ISUZU TKG-NKR85AN-EE5AHY-JM

Pos No.	Parts No	Parts Name	Qty	Unit	Technical Data	Serial No (Start)	Serial No (End)	Remarks
1	42509761001	BOX,TOOL	1					
2	42509762000	SUPPORT ASSY	1					
3	42509763001	ROLLER ASSY	1					
4	42509764001	STOPPER ASSY	1					
5	42509764500	SUPPORT	1					
6	42509764600	COVER	1					
7	82430208020	GRIP	1					
8	90101208020	BOLT	9		M8X20			
9	90302040801	WASHER,SPRING	12		8			
10	90303070801	WASHER,PLAIN	9		8			
11	80185808014	SCREW,MACHINE	5					
12	80172304010	SCREW,MACHINE	7		M4X10			
13	90302040401	WASHER,SPRING	7		4			
14	90303070401	WASHER,PLAIN	7		4			
15	90101208030	BOLT	3		M8X30			
16	42509764700	PLATE,NAME	1					
17	37000549940	PLATE	1		T=3.2			
31	42509762100	SUPPORT	1					
32	37000560040	PLATE	N		T=1			
33	37002012550	PLATE,SLIDE	2					
34	90303100801	WASHER,PLAIN	4		8			
35	90172108025	BOLT,HEXAGON SOCKET	4		M8X25			
41	42509763101	SUPPORT	1					
42	42506651110	ROLLER	2					
43	90303071601	WASHER,PLAIN	4		16			
44	37000157210	PIN	2					
45	80136340032	PIN,SPLIT	4		4X32			
51	42509764101	SUPPORT	1					
52	42509764200	PIN	1					
53	42509764300	LEVER	1					
54	42262730950	PLATE	2					
55	37001201380	SPRING	1					

CLICK HERE TO **DOWNLOAD** THE COMPLETE MANUAL

- Thank you very much for reading the preview of the manual.
- You can download the complete manual from: www.heydownloads.com by clicking the link below



- Please note: If there is no response to CLICKING the link, please download this PDF first and then click on it.

CLICK HERE TO **DOWNLOAD** THE COMPLETE MANUAL