

AT-100-5 42063542097 UPPER,LOWER,ISUZU TPG-NKR85AN-EE5AHY-JM

PB0000275-02 UPPER STRUCTURE SYSTEM

PB0000500-02 LOWER STRUCTURE SYSTEM

ASSEMBLY

CLICK HERE TO **DOWNLOAD** THE COMPLETE MANUAL

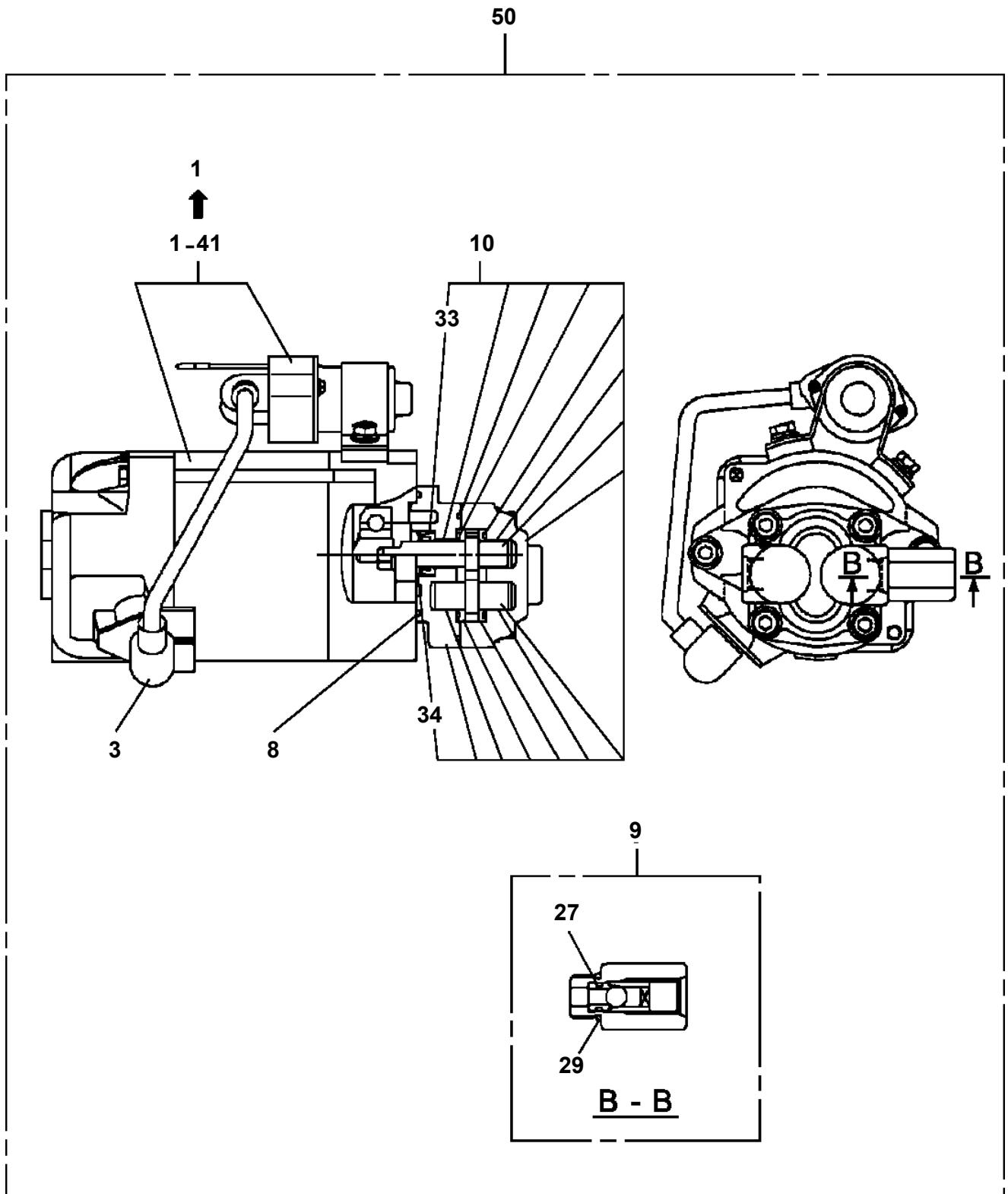
- Thank you very much for reading the preview of the manual.
- You can download the complete manual from: www.heydownloads.com by clicking the link below



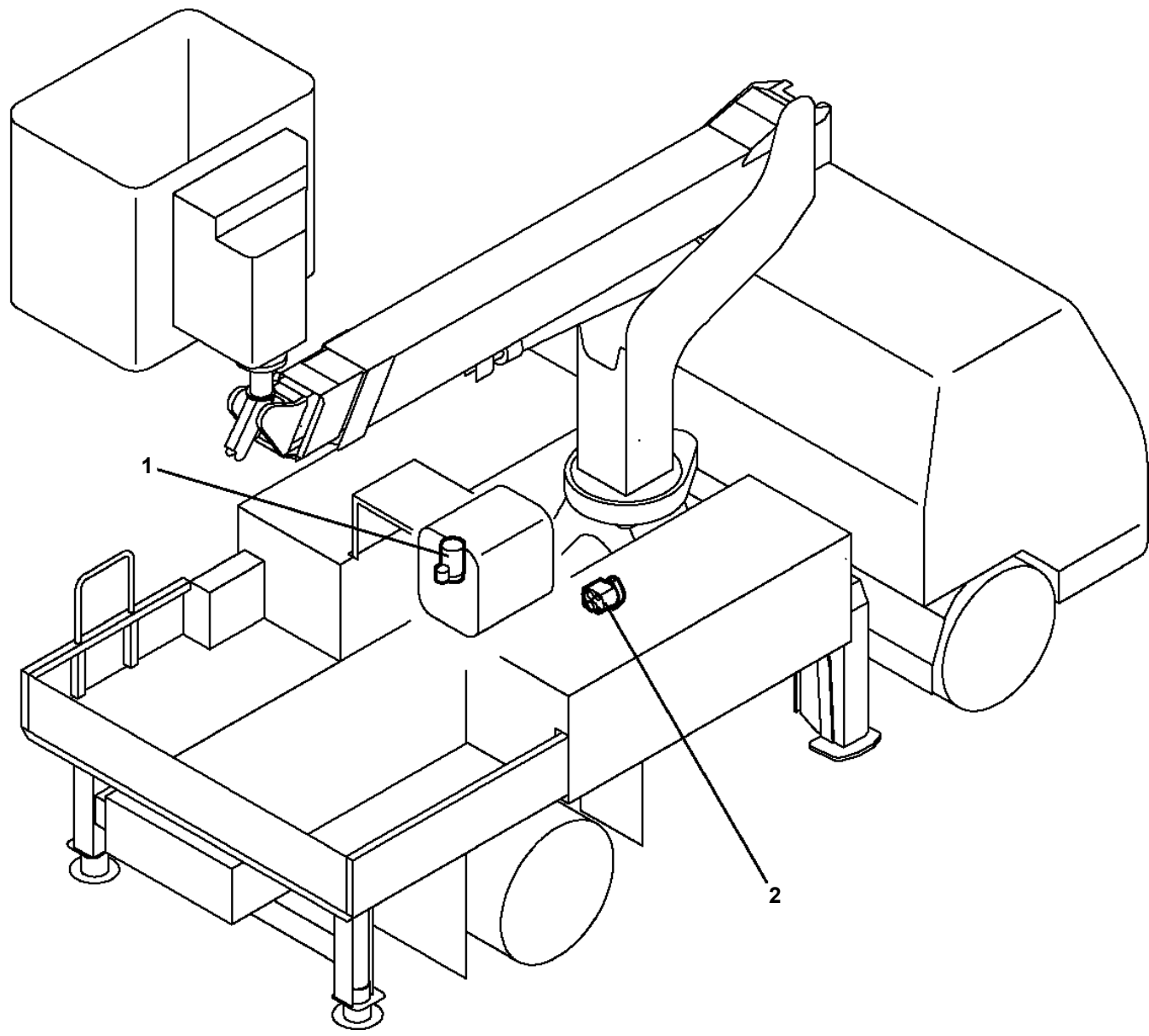
- Please note: If there is no response to CLICKING the link, please download this PDF first and then click on it.

CLICK HERE TO **DOWNLOAD** THE COMPLETE MANUAL

AT-100-5 42063542097 UPPER,LOWER,ISUZU TPG-NKR85AN-EE5AHY-JM
PB1100101-02 PUMP,HYDRAULIC (EMERGENCY)



**AT-100-5 42063542097 UPPER,LOWER,ISUZU TPG-NKR85AN-EE5AHY-JM
PB3000307-00 POWER UNIT**



AT-100-5 42063542097 UPPER,LOWER,ISUZU TPG-NKR85AN-EE5AHY-JM

Pos No.	Parts No	Parts Name	Qty	Unit	Technical Data	Serial No (Start)	Serial No (End)	Remarks
1	42654872300	SUPPORT	1					
2	42654872101	COVER ASSY	1					
3	82464107812	HINGE	2					
4	90101204008	BOLT	8		M4X8			
5	90201200400	NUT	4		M4			
6	90302040401	WASHER,SPRING	8		4			
7	90303070401	WASHER,PLAIN	4		4			
9	42875640010	PLATE	4		T=0.5			
31	42654872201	COVER	1					
32	82460025402	CATCH	1					
33	80175805014	SCREW,MACHINE	4		M5X14			
34	90201500500	NUT	4		M5			
35	90302510501	WASHER,SPRING	4		5			
36	90303520501	WASHER,PLAIN	4		5			
37	82466016470	COVER	1					
39	80172803014	SCREW,MACHINE	1		M3X14			
40	82400000393	INSULATOR	1					
41	90303520301	WASHER,PLAIN	2		3			
42	90302510301	WASHER,SPRING (SUS 3)	1					
43	90201500300	NUT	1		M3			
100	42654872002	BOX ASSY	1					

AT-100-5 42063542097 UPPER,LOWER,ISUZU TPG-NKR85AN-EE5AHY-JM

Pos No.	Parts No	Parts Name	Qty	Unit	Technical Data	Serial No (Start)	Serial No (End)	R
1	42501773000	FLOAT ASSY (WITHOUT SPACER)	4					
	42501771000	FLOAT ASSY (WITH SPACER)	4					

AT-100-5 42063542097 UPPER,LOWER,ISUZU TPG-NKR85AN-EE5AHY-JM

Pos No.	Parts No	Parts Name	Qty	Unit	Technical Data	Serial No (Start)	Serial No (End)	Remarks
1	42443991001	COVER ASSY	1					
2	42442830010	SUPPORT	1					
3	90303070801	WASHER,PLAIN	9		8			
4	37000506550	PLATE	2		T=1.6			
5	90302040801	WASHER,SPRING	14		8			
6	90101208016	BOLT	12		M8X16			
7	82401800080	PLUG (FOR M8)	10					
8	90172108014	BOLT,HEXAGON SOCKET	2		M8X14			
9	42443990100	SUPPORT	1					
31	42443991100	COVER	1					
33	82464107813	HINGE	2					
34	82400000393	INSULATOR	1					
35	80172804016	SCREW,MACHINE	1		M4X16			
38	80172804010	SCREW,MACHINE	12		M4X10			
39	90302510401	WASHER,SPRING	13		4			
40	90201500400	NUT	13		M4			
46	42268773010	PLATE	4					
52	42443711201	COVER	1					

AT-100-5 42063542097 UPPER,LOWER,ISUZU TPG-NKR85AN-EE5AHY-JM

Pos No.	Parts No	Parts Name	Qty	Unit	Technical Data	Serial No (Start)	Serial No (End)	Remarks	P
1	36037260100	CYLINDER	1						
2	36037260200	ROD	1						
3	36035290300	PISTON	1						
4	91684007501	PACKING	2						
5	91431206201	RING,BACKUP	2						
6	91002903000	O-RING	1		1B G30				
7	91332207500	BEARING,PLAIN	2						
8	90202203000	NUT	1		M30				
9	80612110680	RING,RITAINING	1		AR68				
10	80801006030	BEARING,PLAIN	1						
11	36034979510	COVER,ROD	1						
12	91694006000	PACKING	1						
13	91410206002	RING,BACKUP	1						
14	91002908000	O-RING	1		1B G80				
15	91660006001	SEAL,DUST	1						
16	91002907500	O-RING	1		1B G75				
17	90303073001	WASHER,PLAIN	1		30				
18	90302043001	WASHER,SPRING	1		30				
41	36035299900	PACKING SET	1		60X75				
100	36037260000	CYLINDER ASSY,JACK	1						

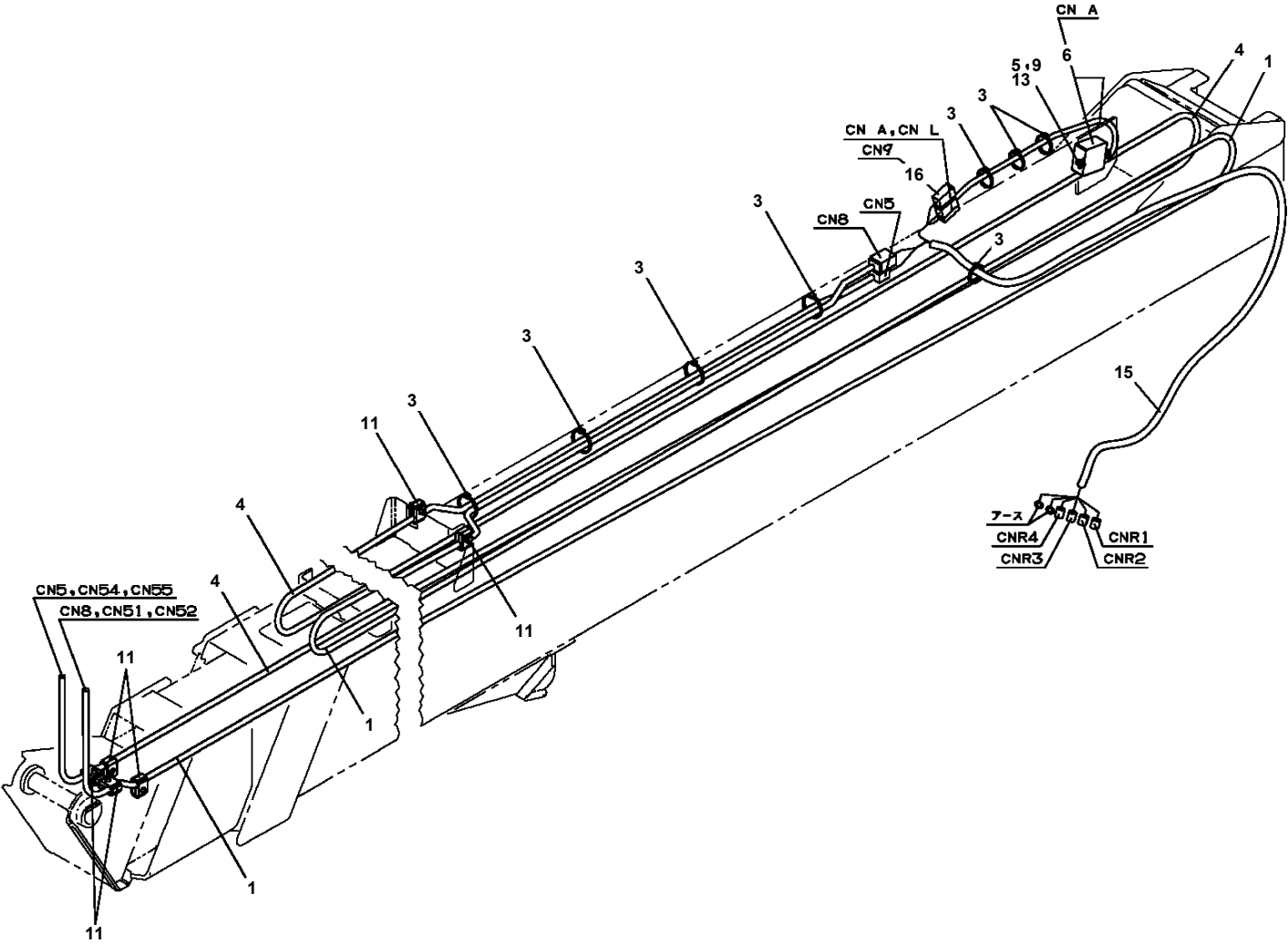
AT-100-5 42063542097 UPPER,LOWER,ISUZU TPG-NKR85AN-EE5AHY-JM

Pos No.	Parts No	Parts Name	Qty	Unit	Technical Data	Serial No (Start)	Serial No (End)
1	(*****)	SWING FRAME ASSY	1				
2	(*****)	REDUCER,SWING SPEED (MOUNT)	1				
3	(*****)	DERRICK ASSY	1				
4	(*****)	PIPING ASSY,SWING FRAME	1				
5	(*****)	ELEC.ASSY,SWING FRAME	1				
6	36028370000	CYLINDER ASSY,LEVELING (LOWER)	1				
7	(*****)	MOUNT ASSY,SWIVEL JOINT	1				

AT-100-5 42063542097 UPPER,LOWER,ISUZU TPG-NKR85AN-EE5AHY-JM

Pos No.	Parts No	Parts Name	Qty	Unit	Technical Data	Serial No (Start)	Serial No (End)	Rema
2	90101208016	BOLT	4		M8X16			
3	90302040801	WASHER,SPRING	5		8			
4	42973580200	SUPPORT	1					
5	42739710200	EARTH	1					
6	42973580100	SUPPORT	1					
7	90101210025	BOLT	2		M10X25			
8	90302041001	WASHER,SPRING	2		10			
9	37000505950	PLATE	2		T=3.2			
10	37002701590	CABLE ASSY	1		30B,L=280			
11	90303070801	WASHER,PLAIN	2		8			
12	90201200800	NUT	1		M8			
31	36160370000	REEL,CORD (FOR EARTHING)	1					
32	37002702730	CABLE ASSY	1		8X10000			
33	82198103050	CLIP (WITH CAP/BLACK)	1					
34	90201200500	NUT	1		M5			
35	90302040501	WASHER,SPRING	1		5			
36	90303070501	WASHER,PLAIN	1		5			

**AT-100-5 42063542097 UPPER,LOWER,ISUZU TPG-NKR85AN-EE5AHY-JM
PE5050008-00 ELEC.ASSY,BOOM**



AT-100-5 42063542097 UPPER,LOWER,ISUZU TPG-NKR85AN-EE5AHY-JM

Pos No.	Parts No	Parts Name	Qty	Unit	Technical Data	Serial No (Start)	Serial No
1	36171980000	CONTROLLER (ASSY ONLY)	1				
2	42655330200	SUPPORT	1				
3	90101206025	BOLT	4		M6X25		
4	80192486016	SCREW,MACHINE	6		M6X16		
5	42655451000	SWITCH ASSY	1				
6	42655450100	HARNESS	1				
7	82100002017	CLAMP	3		WR30		
8	82100002016	CLAMP	1		WR25		
10	91850400601	CLAMP	10				
14	44430680200	BUZZER ASSY (WITH HARNESS)	1				
15	(***** *****)	RELAY ASSY	1				HK1978
	(***** *****)	RELAY ASSY	1			HK1979	
16	80192484016	SCREW,MACHINE	6		M4X16		
18	82100002019	CLAMP	2		WR40		
19	90101208014	BOLT	3		M8X14		
21	82100002009	CLAMP	1		WRC12		
23	82100002007	CLAMP	1		WRC10		
24	90303070801	WASHER,PLAIN	1		8		
25	90302040801	WASHER,SPRING	15		8		
26	90201200800	NUT	9		M8		
27	82100002006	CLAMP	2		WR10		
28	82108501140	SWITCH	1				
29	90280200600	NUT,FLANGE	2		M6		
33	90101208025	BOLT	1		M8X25		
34	91810132530	FASTENER	30				
35	90101208018	BOLT	4		M8X18		
36	42654872002	BOX ASSY	1				
37	42654870200	COVER	1				
38	90201200600	NUT	4		M6		
39	90302040601	WASHER,SPRING	6		6		
40	90303070601	WASHER,PLAIN	8		6		
41	42655330103	HARNESS (FRAME)	1				HK1978
	42655330104	HARNESS (FRAME)	1			HK1979	
61	42900001200	COVER	1				
62	91810130240	FASTENER	1				
63	82467300104	PLUG	3				
64	42353952100	SWITCH ASSY (WITH HARNESS)	1				
65	42354541400	SWITCH ASSY (WITH HARNESS,3 SWITCH)	1				
66	90303070301	WASHER,PLAIN	2		3		
67	42809631200	LAMP ASSY (RED,WITH HARNESS)	1				
68	42353950100	SWITCH ASSY (WITH HARNESS)	1				
69	82154201010	METER,HOUR	1				
70	80172303010	SCREW,MACHINE	2		M3X10		
71	90302040301	WASHER,SPRING	2		3		
72	42355641100	SWITCH ASSY	1				
82	82400000309	GROMMET	1		L=1000		
97	42355641010	COVER	1				
111	42355641210	BUTTON	1				

AT-100-5 42063542097 UPPER,LOWER,ISUZU TPG-NKR85AN-EE5AHY-JM

Pos No.	Parts No	Parts Name	Qty	Unit	Technical Data	Serial No (Start)	Serial No (End)
1	36132400001	DETECTOR ASSY,LENGTH (BOOM)	1				
2	42350071000	ROLLER ASSY	1				
3	42353100600	ROLLER ASSY	1				
4	90303070601	WASHER,PLAIN	1		6		
5	80620210060	PIN,SNAP	1				
6	91810132530	FASTENER	2				
7	90180206016	BOLT,BUTTON	4		M6X16		
8	90302040601	WASHER,SPRING	4		6		
10	89630101000	HOSE,VINYL	1		4X6,1M		
31	42360030040	SUPPORT	1				
32	37001102350	ROLLER	2				
33	37000302060	SPACER	2		L=11.2		
35	90201201000	NUT	2		M10		
36	90302041001	WASHER,SPRING	2		10		
37	90303071001	WASHER,PLAIN	2		10		
41	42351120200	SUPPORT	1				

AT-100-5 42063542097 UPPER,LOWER,ISUZU TPG-NKR85AN-EE5AHY-JM

Pos No.	Parts No	Parts Name	Qty	Unit	Technical Data	Serial No (Start)	Serial No (End)	Remarks	Pages
100	42356790200	HARNESS	1						

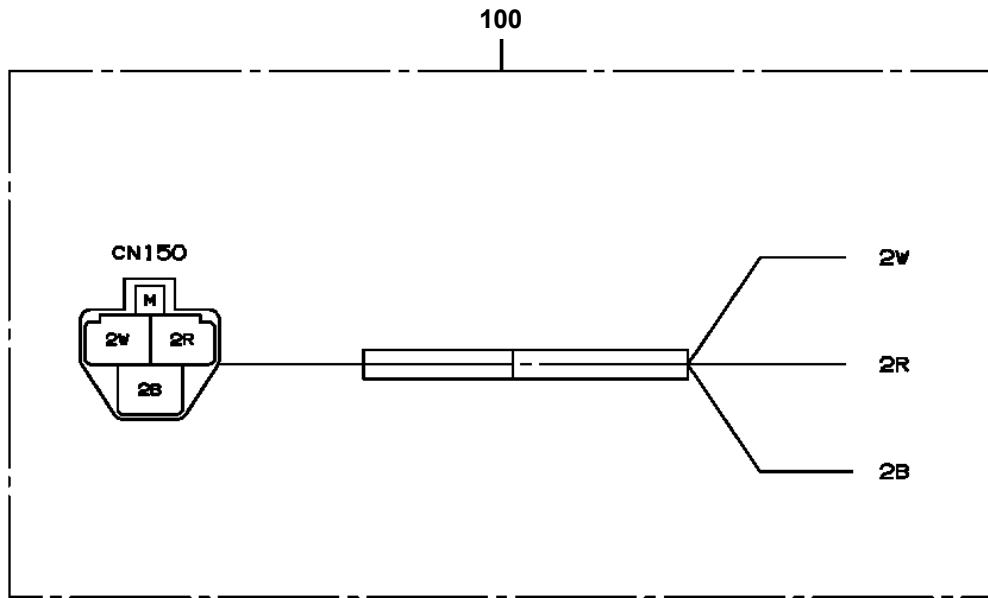
AT-100-5 42063542097 UPPER,LOWER,ISUZU TPG-NKR85AN-EE5AHY-JM

Pos No.	Parts No	Parts Name	Qty	Unit	Technical Data	Serial No (Start)	Serial No (End)	Remarks	Pages
9	82100001839	FUSE	1		10A.RED				
	82100001839	FUSE	1		10A.RED				
100	42508702200	HARNESS	1						
	42508702200	HARNESS	1						

AT-100-5 42063542097 UPPER,LOWER,ISUZU TPG-NKR85AN-EE5AHY-JM

Pos No.	Parts No	Parts Name	Qty	Unit	Technical Data	Serial No (Start)	Serial No (End)	Remarks	Pages
100	42654790310	HARNESS	1						

**AT-100-5 42063542097 UPPER,LOWER,ISUZU TPG-NKR85AN-EE5AHY-JM
PH5033686-00 HARNESS**



AT-100-5 42063542097 UPPER,LOWER,ISUZU TPG-NKR85AN-EE5AHY-JM

Pos No.	Parts No	Parts Name	Qty	Unit	Technical Data	Serial No (Start)	Serial No (End)	Remarks	Pages
100	42501070010	HARNESS	1						
	42501070010	HARNESS	1						

AT-100-5 42063542097 UPPER,LOWER,ISUZU TPG-NKR85AN-EE5AHY-JM

Pos No.	Parts No	Parts Name	Qty	Unit	Technical Data	Serial No (Start)	Serial No (End)
3	36625205020	SPRING	1				
4	36625245010	PLUG	1				
5	91002801800	O-RING	1		1B P18		
50	36625240000	VALVE,CHECK (MORIKAWA GAUGE)	1				

CLICK HERE TO **DOWNLOAD** THE COMPLETE MANUAL

- Thank you very much for reading the preview of the manual.
- You can download the complete manual from: www.heydownloads.com by clicking the link below



- Please note: If there is no response to CLICKING the link, please download this PDF first and then click on it.

CLICK HERE TO **DOWNLOAD** THE COMPLETE MANUAL

AT-100-5 42063542097 UPPER,LOWER,ISUZU TPG-NKR85AN-EE5AHY-JM

Pos No.	Parts No	Parts Name	Qty	Unit	Technical Data	Serial No (Start)	S
1	(*****)	BUCKET FRAME ASSY	1				
2	(*****)	ELEC.ASSY,BUCKET	1				
3	(*****)	COVER ASSY (BUCKET FRAME/IRON)	1				
5	(*****)	OPE.ASSY,BUCKET	1				
11	42267710100	BUCKET (WITH DOOR,WHITE/NIPPON POLYESTER)	1				
	42267101000	BUCKET	1				
	42267710300	BUCKET (WITH DOOR,WHITE)	1			HK2633	
12	(*****)	ELEC.ASSY (FOOT SW)	1				
13	42268600100	MAT (FOR BUCKET WITH DOOR)	1				
	42267103100	ACCESSORIES (MAT)	1				

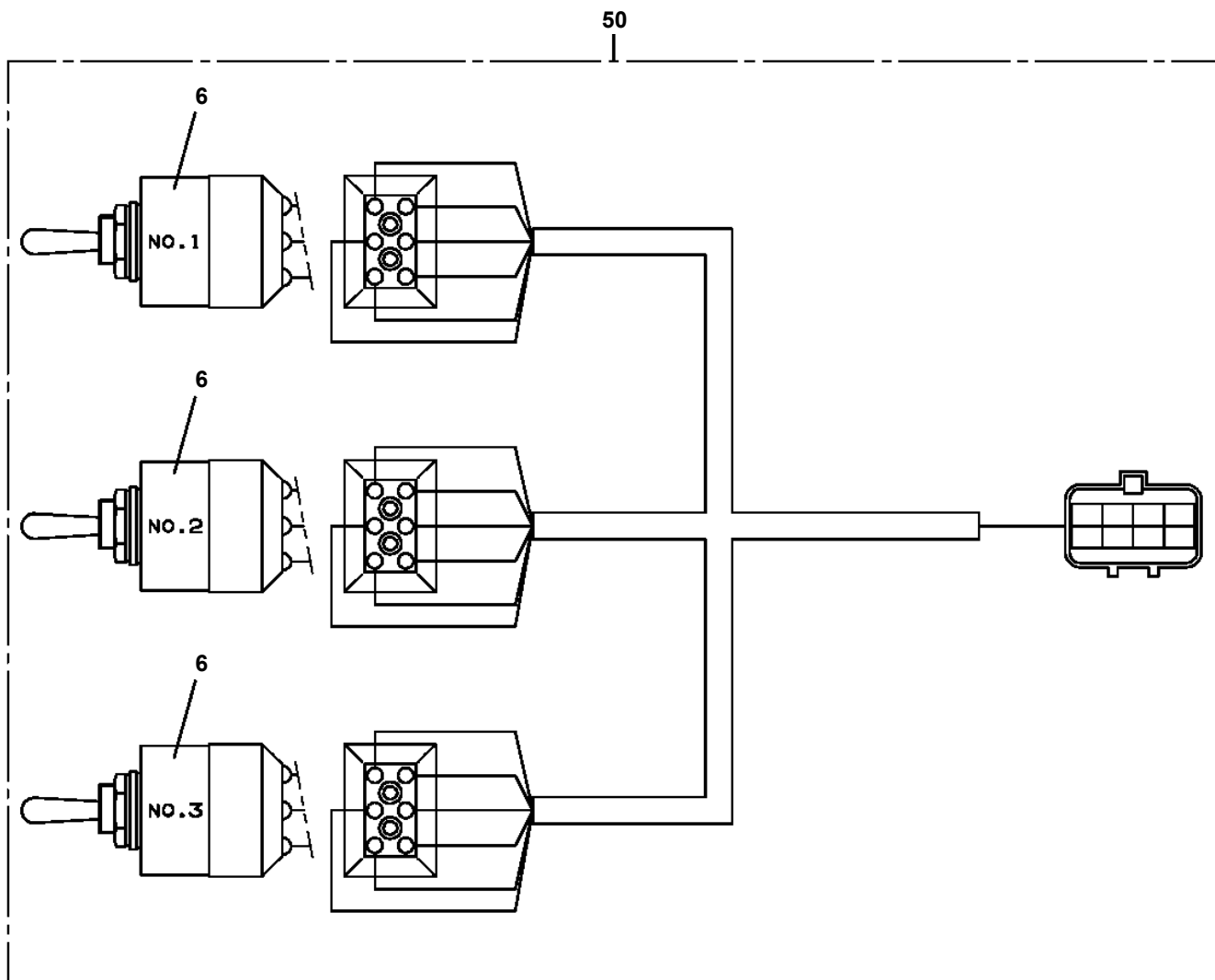
AT-100-5 42063542097 UPPER,LOWER,ISUZU TPG-NKR85AN-EE5AHY-JM

Pos No.	Parts No	Parts Name	Qty	Unit	Technical Data	Serial No (Start)	Serial No (End)	Re
1	82100002253	LAMP	1					
2	42736070100	SWITCH ASSY (WITH HARNESS)	1					
3	80175304020	SCREW,MACHINE	2		M4X20			
4	90302040401	WASHER,SPRING	2		4			
5	90303070401	WASHER,PLAIN	2		4			
6	90201200400	NUT	2		M4			
7	42509700010	PLATE,NAME	1					
21	82100000783	BULB,LAMP	1		24V 12W			

AT-100-5 42063542097 UPPER,LOWER,ISUZU TPG-NKR85AN-EE5AHY-JM

Pos No.	Parts No	Parts Name	Qty	Unit	Technical Data	Serial No (Start)	Serial No (End)	Remarks	Page
1	42786890101	SUPPORT	1						
4	90101208022	BOLT	4		M8X22				
5	90302040801	WASHER,SPRING	11		8				
6	90303070801	WASHER,PLAIN	3		8				
7	90171110030	BOLT	4		M10X30				
8	90302041001	WASHER,SPRING	4		10				
9	90303071001	WASHER,PLAIN	8		10				
10	91810132530	FASTENER	3						
11	82100002018	CLAMP	2		WR35				
12	90201200800	NUT	1		M8				
13	82100001807	TUBE,CORRUGATE	1	M	28				
14	42787840100	PLATE	1						
15	90101208016	BOLT	7		M8X16				
17	90201781000	NUT	4		M10				
18	42787940100	SUPPORT	1						
19	42787940200	SUPPORT	1						
20	42787850010	WASHER	2						
21	42787850020	BAND	2						
46	42787400010	NUT	2		M8				

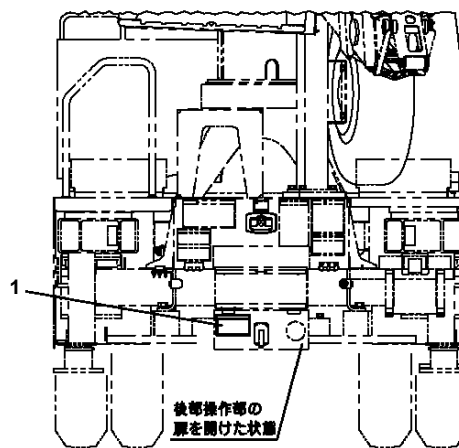
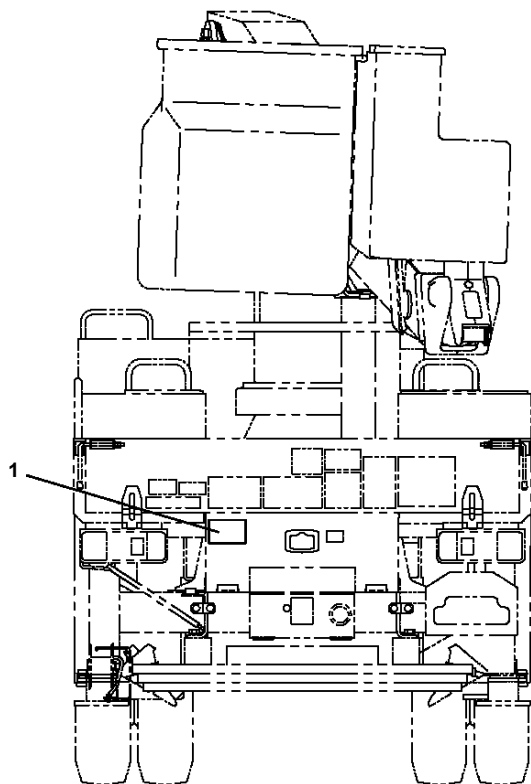
AT-100-5 42063542097 UPPER,LOWER,ISUZU TPG-NKR85AN-EE5AHY-JM
PN1140164-00 SWITCH ASSY (WITH HARNESS,3 SW)



AT-100-5 42063542097 UPPER,LOWER,ISUZU TPG-NKR85AN-EE5AHY-JM

Pos No.	Parts No	Parts Name	Qty	Unit	Technical Data	Serial No (Start)	Serial No (End)	Remarks
1	42510482010	PLATE,NAME	1					
2	42510482020	PLATE,NAME (NO IDLING)	1					
3	42590221030	PLATE,NAME (NO IDLING)	2					

AT-100-5 42063542097 UPPER,LOWER,ISUZU TPG-NKR85AN-EE5AHY-JM
 PN5011267-01 NAME PLATE ASSY (JACK HORIZONTAL)



AT-100TG-5の場合

1

ジャッキ自動水平張出

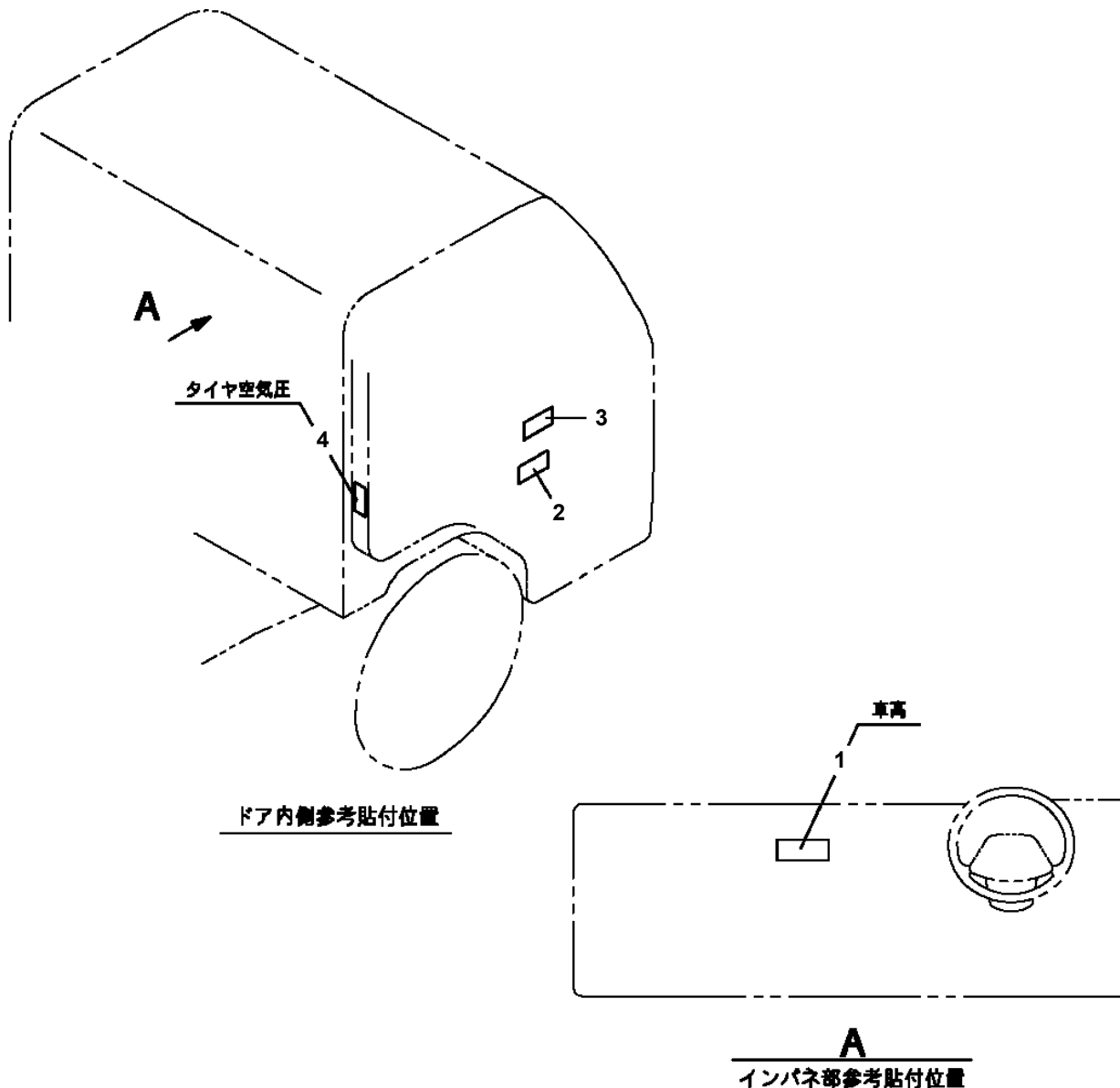
- 傾斜地ではジャッキが接地しても水平設置できていない場合があります。水準器を確認して個別操作で水平に修正してください。
- ジャッキが接地せずに終了した場合はストップランプが点滅します。そのときは個別操作でジャッキを接地させてください。ランプの点滅は、すべてのジャッキを接地させるか、格納することで消灯します。

AT-100-5 42063542097 UPPER,LOWER,ISUZU TPG-NKR85AN-EE5AHY-JM
PO1000182-00 INDICATION PLATES (UPPER)

メイパ ン (シ ョウブ)
INDICATION PLATES (UPPER)

〔組立名称一覧〕より選択してください。
SEE THE CORRESPONDING "ASSEMBLY NAME" LIST.

AT-100-5 42063542097 UPPER,LOWER,ISUZU TPG-NKR85AN-EE5AHY-JM
 PO1014959-02 PLATE ASSY,NAME (VEHICLE HEIGHT)



1

車高 2.8^m

2

警告

- 作業時にはパーキングブレーキを引いてください。
- 作業時にはシフトレバーを下配にしてください。
 - ・マニュアル車は「N」中立
 - ・オートマチック車は「P」パーキング
- 作業終了時にはPTOを切ってください。

3

注意

- パーキングブレーキを引かないでPTOを入れるとブザーが鳴ります。
- シフトレバーをマニュアル車は中立（オートマチック車はP）にしないでPTOを入れるとブザーが鳴ります。

4

タイヤサイズ	タイヤ空気圧 kPa (kgf/cm ²)	
	前輪	後輪
195/85R16	600	600
114/112L	(6.00)	(6.00)
205/80R17.5	600	600
120/118L	(6.00)	(6.00)
205/85R16	600	600
117/115L	(6.00)	(6.00)
215/70R17.5	775	775
123/121J	(7.75)	(7.75)
215/85R16	600	600
120/118L	(6.00)	(6.00)
225/75R16	600	600
118/116L	(6.00)	(6.00)
225/85R16	600	600
121/119L	(6.00)	(6.00)
225/80R17.5	700	700
123/122L (14PRL)	(7.00)	(7.00)
7.00-16-12PRL	575	575
	(5.75)	(5.75)
7.50-16-10PRL	525	525
	(5.25)	(5.25)
7.50-16-12PRL	600	600
	(6.00)	(6.00)
7.50-16-14PRL	650	650
	(6.50)	(6.50)
7.50R16-12PRL	650	650
	(6.50)	(6.50)
7.50R16-14PRL	700	700
	(7.00)	(7.00)

○ 上記の空気圧を基準としてください。

370-022-84480

AT-100-5 42063542097 UPPER,LOWER,ISUZU TPG-NKR85AN-EE5AHY-JM

Pos No.	Parts No	Parts Name	Qty	Unit	Technical Data	Serial No (Start)	Serial No (End)	Remarks
1	42615181100	SUPPORT	1					
2	36037260000	CYLINDER ASSY,JACK	1					
3	37000176340	PIN	1					
4	80136380045	PIN,SPLIT	2		8X45			
5	90302041201	WASHER,SPRING	2		12			
6	90171112035	BOLT	2		M12X35			
7	90201781200	NUT	2		M12			
8	36625740001	VALVE,CHECK	1					
9	90171108055	BOLT	4		M8X55			
10	80400160127	JOINT	2					
11	37002486940	HOSE	2		L=750			
12	91803601200	CLIP	1		D=90-120			
13	42614520010	PLATE	1		T=5			
14	36672630000	FILTER (WITH O-RING)	1					
15	91002801100	O-RING	2		1B P11			
16	42614000060	PLATE	1		T=12			
17	42614520300	FLOAT (PLATE WORKING)	1					
	42614520500	FLOAT (STEEL CAST)	1					
18	90172110020	BOLT,HEXAGON SOCKET	2		M10X20			
19	80320020075	FITTING	2		KUF12-020N			
20	82100001412	TUBE,SPIRAL	2	M	SE-12BK			
21	82400000205	GROMMET	1					
44	91002801100	O-RING	1		1B P11			
100	42615181000	OUTRIGGER ASSY	1					

AT-100-5 42063542097 UPPER,LOWER,ISUZU TPG-NKR85AN-EE5AHY-JM

Pos No.	Parts No	Parts Name	Qty	Unit	Technical Data	Serial No (Start)	Serial No (End)	Remarks
1	37004100040	PUMP,GREASE (DOMESTIC)	1					

AT-100-5 42063542097 UPPER,LOWER,ISUZU TPG-NKR85AN-EE5AHY-JM

Pos No.	Parts No	Parts Name	Qty	Unit	Technical Data	Serial No (Start)	Serial No (End)	Remarks
1	80430620400	JOINT	2					
2	80481102030	JOINT	1		L G1/4-G3/8			
3	80320010050	FITTING	2		KUD10-020N			
4	90101208065	BOLT	2		M8X65			
5	90302040801	WASHER,SPRING	11		8			
9	80481302025	JOINT	1		L,G1/4-G1/4			
10	91002801100	O-RING	2		1B P11			
11	91810130240	FASTENER	3					
12	37000300730	SLEEVE	4		18-10			
14	37000601120	CLAMP	4					
15	37000601420	CUSHION	8		18X2			
16	90280200800	NUT,FLANGE	2		M8			
17	90101208075	BOLT	2		M8X75			
19	37002454530	HOSE	1		L=375			
20	37002439300	HOSE	1		L=475			
21	37002412190	HOSE	1		L=400			
22	42347400300	SUPPORT	2					
23	42347400400	SUPPORT	2					
24	42347400500	SUPPORT	1					
25	90101208020	BOLT	6		M8X20			
26	37000908730	JOINT (WITH O-RING)	3		L,G3/8-G1/4			
28	37002450200	HOSE	2		L=750			
29	37002403320	HOSE	1		L=1400			
30	37002416450	HOSE	1		L=1480			
31	37002415810	HOSE	1		L=1800			
32	37002415820	HOSE	1		L=1730			
33	82100001803	TUBE,CORRUGATE	1	M	13			
34	81408000130	PIPE,STEEL	1	M	10X1.8T			
35	81408000130	PIPE,STEEL	1	M	10X1.8T			
36	81408000130	PIPE,STEEL	1	M	10X1.8T			
37	81408000130	PIPE,STEEL	2	M	10X1.8T			
38	90101208030	BOLT	2		M8X30			
39	37000601410	CUSHION	2					
40	37000601110	CLAMP	1					
41	90101208035	BOLT	1		M8X35			
51	91002801100	O-RING	13		1B P11			
61	36636340001	VALVE ASSY,SELECTOR	2					
62	80430620600	JOINT (WITH O-RING)	3		L,G3/8-G3/8			
63	37000925950	JOINT	2		S,G1/4-G1/4			
64	80305131002	FITTING,TEE	2		KTNO010-020N			
66	80316070040	PLUG	2		PF1/4			
83	80481103020	JOINT	1		PF3/8-PF1/4			
87	91002801400	O-RING	7		1B P14			
101	80302090101	FITTING	2		KCO10-020N			
103	36672630000	FILTER (WITH O-RING)	2					
124	36606970000	VALVE ASSY,RELIEF	1					
135	36672460000	FILTER (NIPPLE TYPE)	1					

AT-100-5 42063542097 UPPER,LOWER,ISUZU TPG-NKR85AN-EE5AHY-JM

Pos No.	Parts No	Parts Name	Qty	Unit	Technical Data	Serial No (Start)	Serial No (End)
1	82105900060	SWITCH,TOGGLE	1				
2	82105220193	SWITCH,TOGGLE	1				
3	82105900010	SWITCH,TOGGLE	1				
50	42332531301	SWITCH ASSY (WITH HARNESS,3 SW)	1				

AT-100-5 42063542097 UPPER,LOWER,ISUZU TPG-NKR85AN-EE5AHY-JM

Pos No.	Parts No	Parts Name	Qty	Unit	Technical Data	Serial No (Start)	Serial No (End)	Remarks
1	36103061000	TANK	1					
2	53156005000	BREATHER ASSY (OB-10T)	1					
3	36102120010	CAP	1					
4	91001104800	O-RING	1		1A P48			
5	37002516440	HOSE	1		L=140			
6	91803880040	CLIP	2		D=10-12.2			
7	36102790010	PLUG	1					
8	90303392001	WASHER	1		M20			
22	53156005011	ELEMENT	1					
23	53156005030	PLATE (WITH PACKING)	1					
24	53156005040	PACKING	1					
50	36103060000	TANK ASSY,OIL	1					

AT-100-5 42063542097 UPPER,LOWER,ISUZU TPG-NKR85AN-EE5AHY-JM

Pos No.	Parts No	Parts Name	Qty	Unit	Technical Data	Serial No (Start)	Serial No (End)
5	36653355010	PLUG	3				
6	36646965020	PLUG	2				
7	36653355010	PLUG	9				
8	36653355010	PLUG	3				
9	36636505010	PLUG	1				
10	36648355010	PLUG	4				
11	36648355440	PLUG	1				
12	36636505010	PLUG	2				
13	91002802200	O-RING	12		1B P22		
14	91002800700	O-RING	23		1B P7		
15	91002801100	O-RING	2		1B P11		
16	91002802000	O-RING	4		1B P20		
17	91002800700	O-RING	4		1B P7		
18	91001000800	O-RING	1		S8		
19	91002801800	O-RING	1		1B P18		
22	36648355400	COVER,END (1)	3				
23	36648355410	COVER,END (2)	3				
24	36742265010	COVER	3				
25	36648355070	COVER (SOLENOID)	6				
26	36646965020	PLUG	3				
27	36742265040	VALVE ASSY,RELIEF	9				
28	36742265030	CAP	9				
29	36653355010	PLUG	3				
30	91001002400	O-RING	3		S24		
31	91002800600	O-RING	6		1B P6		
32	91002801100	O-RING	3		1B P11		
33	91002802000	O-RING	3		1B P20		
34	91001002900	O-RING	3		S29		
35	90131505016	BOLT,HEXAGON SOCKET	24		M5X16		
36	90131506035	BOLT,HEXAGON SOCKET	12		M6X35		
37	90131505008	BOLT,HEXAGON SOCKET	12		M5X8		
38	36741735040	SCREW	3				
42	36648355120	SPRING	3				
43	36648355130	SPRING	3				
44	36648355140	SEAT,SPRING	6				
45	36648355150	BOLT (SPACER)	3				
46	36648355160	PIN	3				
47	36648355170	PIN	3				
48	36648355180	PIN	3				
49	36648355190	LEVER	3				
50	36648355200	KNOB	3				
51	36648355210	CAP	3				
52	36648355220	PIN,SPRING	3				
53	36648355230	ROLLER,NEEDLE	3				
54	36648355240	O-RING	6				
55	36648355250	SEAT (1)	3				
56	36648355260	SEAT (2)	3				
57	36648355270	BALL,STEEL	3				
58	36648355280	PLUG	4				
59	91002801400	O-RING	4		1B P14		
60	91000501200	O-RING	3				
61	91000501300	O-RING	3		AS568-013		
66	36648355320	SPRING	1				
67	36648355330	SPRING	1				
68	36648355340	SPRING	3				
69	36648355350	PLUG	5				
70	91002801400	O-RING	5		1B P14		
71	36648355360	BOLT	4				
72	36648355370	NUT	4				
76	36742265020	VALVE,REDUCING	6				
90	36648355460	FILTER ASSY (WITH HOLDER,O-RING)	1				
200	36742260000	VALVE ASSY,REMOTE CONTROL	1				

AT-100-5 42063542097 UPPER,LOWER,ISUZU TPG-NKR85AN-EE5AHY-JM

Pos No.	Parts No	Parts Name	Qty	Unit	Technical Data	Serial No (Start)	Serial No (End)	Rem
1	42460015010	BAG,TOOL	1					
2	91991510003	HEXAGON BARWRENCH (G3)	1					
3	91991510004	HEXAGON BARWRENCH (G4)	1					
4	91991510005	HEXAGON BARWRENCH (G5)	1					
5	91991510006	HEXAGON BARWRENCH (G6)	1					
6	91991510008	HEXAGON BARWRENCH (G8)	1					
7	91991510010	HEXAGON BARWRENCH (G10)	1					
8	91991441311	SPANNER	1		13X11			
50	42473931000	TOOLS	1					

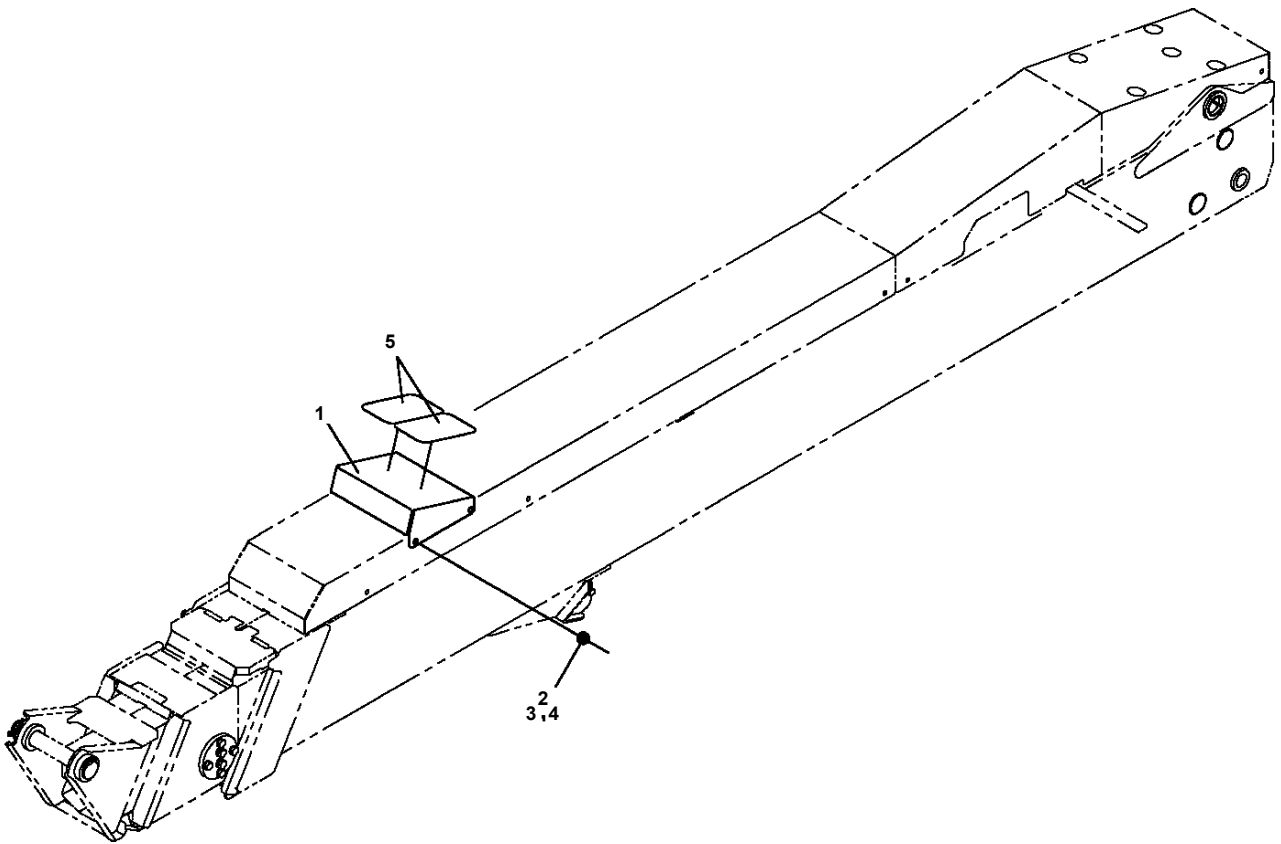
AT-100-5 42063542097 UPPER,LOWER,ISUZU TPG-NKR85AN-EE5AHY-JM

Pos No.	Parts No	Parts Name	Qty	Unit	Technical Data	Serial No (Start)	Serial No
2	(*****)	OPE.ASSY,ACCELERATOR	1				
3	(*****)	MODIFICATION ASSY	1				HK2069
	(*****)	MODIFICATION ASSY	1			HK2070	
4	(*****)	PIPING ASSY,MOUNTING	1				
5	(*****)	ELEC.ASSY (BATTERY & EMERGENCY PUMP)	1				
6	(*****)	ELEC.ASSY,CARRIER	1				
7	(*****)	OPE.ASSY,P.T.O. (COUPLING)	1				
9	(*****)	MOUNT ASSY,TIRE	1				
10	(*****)	MOUNT ASSY,TAIL LAMP	1				
11	(*****)	MOUNT ASSY,FRAME	1				
12	(*****)	MOUNT ASSY,WEIGHT	1				
13	(*****)	ELEC.ASSY (TELEMATICS)	1				

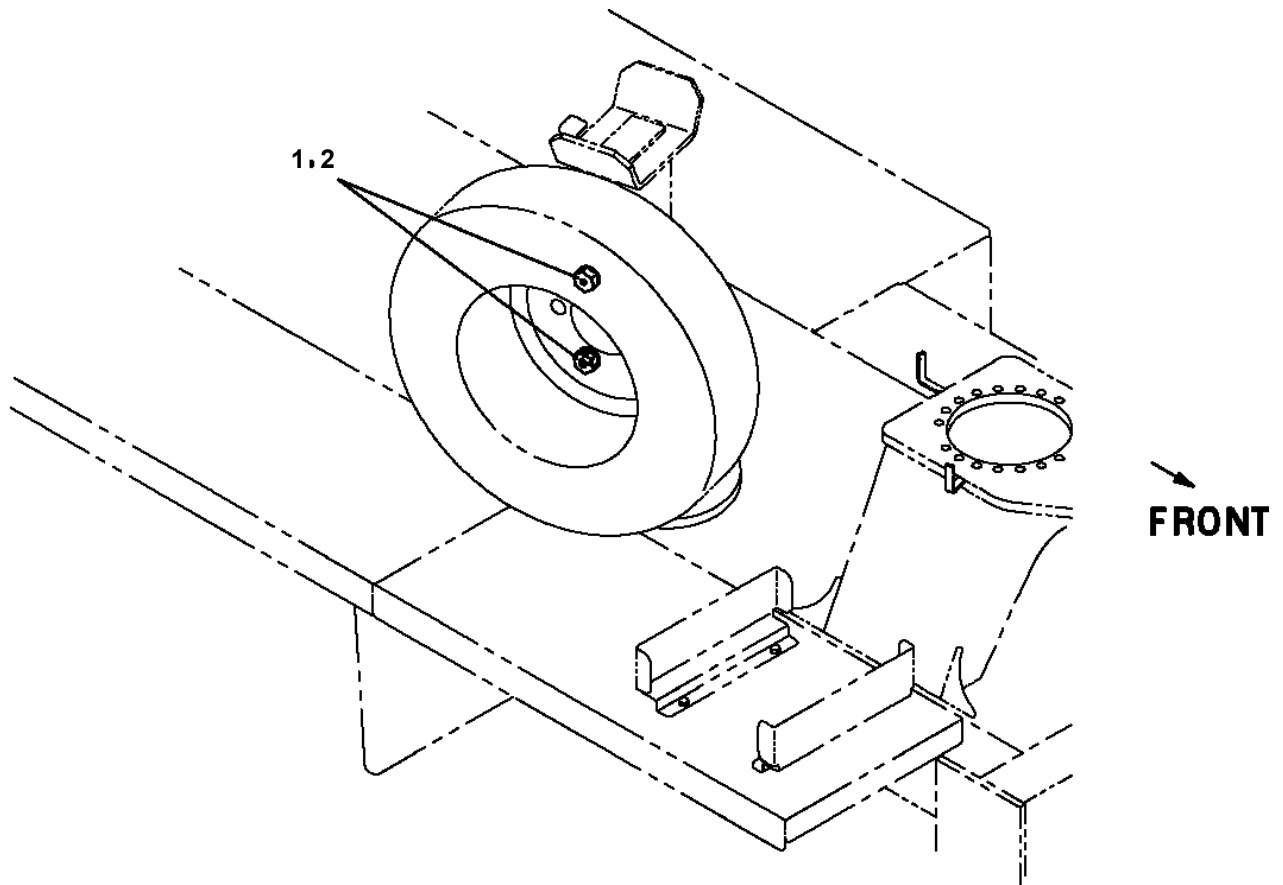
AT-100-5 42063542097 UPPER,LOWER,ISUZU TPG-NKR85AN-EE5AHY-JM

Pos No.	Parts No	Parts Name	Qty	Unit	Technical Data	Serial No (Start)	Serial No (End)	Remarks	Pages
1	42443860200	COVER	1						
2	42444110100	COVER	1						
3	90101208014	BOLT	13		M8X14				
4	90303070801	WASHER,PLAIN	13		8				
5	90302040801	WASHER,SPRING	13		8				
6	82121800010	PLUG (OTUKA)	5						
7	42442790403	COVER	1						
8	42443860300	STEP	1						
9	90101210020	BOLT	4		M10X20				
10	90201201000	NUT	4		M10				
11	90302041001	WASHER,SPRING	4		10				

AT-100-5 42063542097 UPPER,LOWER,ISUZU TPG-NKR85AN-EE5AHY-JM
PX5670040-00 MOUNT ASSY,STEP



AT-100-5 42063542097 UPPER,LOWER,ISUZU TPG-NKR85AN-EE5AHY-JM
PX5770005-00 MOUNT ASSY,TIRE



CLICK HERE TO **DOWNLOAD** THE COMPLETE MANUAL

- Thank you very much for reading the preview of the manual.
- You can download the complete manual from: www.heydownloads.com by clicking the link below



- Please note: If there is no response to CLICKING the link, please download this PDF first and then click on it.

CLICK HERE TO **DOWNLOAD** THE COMPLETE MANUAL