

AT-100-5 42063543944 UPPER,LOWER,ISUZU 2RG-NKR88AN-EE5AHY-JD

PB0000275-02 UPPER STRUCTURE SYSTEM

PB0000500-02 LOWER STRUCTURE SYSTEM

ASSEMBLY

CLICK HERE TO **DOWNLOAD** THE COMPLETE MANUAL

- Thank you very much for reading the preview of the manual.
- You can download the complete manual from: www.heydownloads.com by clicking the link below



- Please note: If there is no response to CLICKING the link, please download this PDF first and then click on it.

CLICK HERE TO **DOWNLOAD** THE COMPLETE MANUAL

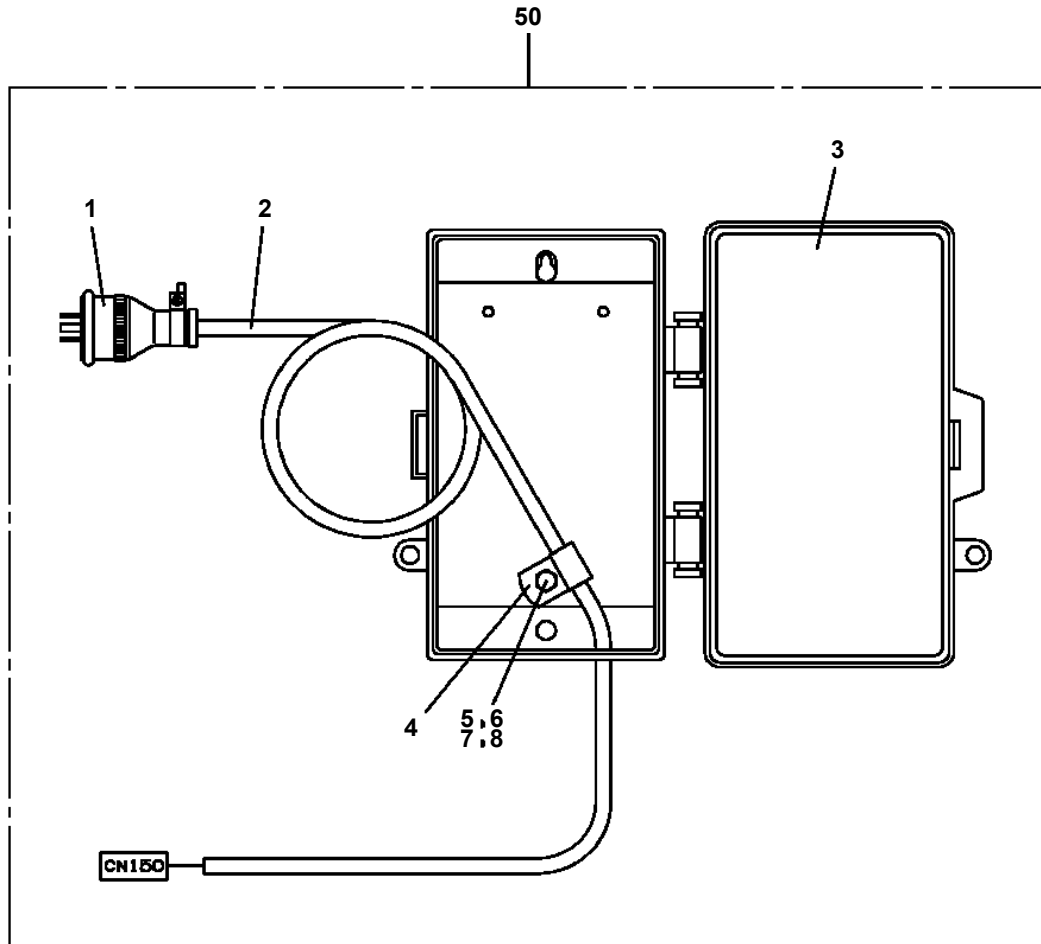
AT-100-5 42063543944 UPPER,LOWER,ISUZU 2RG-NKR88AN-EE5AHY-JD

PV5170018-00 VALVE ASSY,SELECTOR
PV5450154-00 VIEW SYSTEM (REARVIEW SYSTEM/WITHOUT MONITOR)
PW1000118-00 ACCESSORIES & TOOLS
PW1010309-00 ACCESSORIES (MAT)
PW1010337-01 ACCESSORIES
PW1010407-00 ACCESSORIES (MAT)
PW1030049-01 TOOLS
PW1050018-01 WEDGE (STOPPER FOR TIRE/JUSTIN)
PW5110005-00 WEDGE (YELLOW)
PX1270056-00 WOOD BLOCK (OPTION)
PX1350803-00 BOX,TOOL (NEO KANSAI/BUCKET)
PX1351247-00 BOX,TOOL (BUCKET)
PX1390858-00 MODIFICATION PARTS
PX1830012-01 COUPLING
PX2001962-00 CARRIER UNIT
PX3000859-00 MOUNTING UNIT
PX5010506-00 MOUNT ASSY (SAFETY CONE SUPPORT)
PX5010507-00 MOUNT ASSY (SAFETY CONE BAR SUPPORT)
PX5110045-00 MOUNT ASSY,BOOM SUPPORT
PX5260010-00 MOUNT ASSY,COVER
PX5360171-00 MOUNT ASSY,FRAME
PX5430017-00 MOUNT ASSY,GUARD
PX5430024-01 MOUNT ASSY,GUARD
PX5670014-00 MOUNT ASSY,STEP
PX5670023-00 MOUNT ASSY,STEP (FOR BOX TOOL OF RIGHT SIDE)
PX5670065-00 MOUNT ASSY,STEP (GUIDE TYPE JACK)
PX5730003-00 MOUNT ASSY,SWIVEL JOINT
PX5740057-01 MOUNT ASSY,TAIL LAMP
PX5760013-00 MOUNT ASSY,TANK SUPPORT
PX5770007-00 MOUNT ASSY,TIRE
PX5780196-01 MOUNT ASSY,TOOL BOX (WITHOUT CENTRAL LOCKING)
PX5780197-01 MOUNT ASSY,TOOL BOX
PX5780380-00 MOUNT ASSY,TOOL BOX (CENTRAL LOCK/HINO,TOYOTA)
PX5780381-00 MOUNT ASSY,TOOL BOX (CENTRAL LOCK/ISUZUTPG OR LATER)
PX5780392-00 MOUNT ASSY,TOOL BOX (DRAWER FOR LEFT SLIDE TOOL BOX)
PX5820133-00 MOUNT ASSY,WEIGHT
PX5850014-01 MOUNT ASSY,WOOD BLOCK (LARGE)
PY1001969-00 OPTION UNIT,1 (UPPER)
PY1070000-00 ROPE (SAFETY,YELLOW:TD-TYPE)
PY1070001-00 ROPE (SAFETY,1.5M,WITH HOOK)
PY1090001-00 BELT,SAFETY
PY1760001-00 STEP,BUCKET
PY1930004-00 BLOCK,RUBBER (WAZUMI)
PY1930005-00 BLOCK,RUBBER (NAKAMURA)
PY2000288-00 OPTION UNIT,2 (UPPER)
PY2120005-00 BOX,TOOL (FOR BUCKET,FRP)
PY4000063-05 OPTION UNIT,1 (LOWER)
PY5020165-00 ACCESSORIES ASSY (WITHOUT BLOCK,RUBBER)
PY5310003-00 AUTOMATIC MOTION CONTROLLER
PZ0000000-00 POWER SUPPLY ASSY,ELECTRICITY (LOWER,100V/HINO PPNLT)
PZ0000000-00 MODIFICATION ASSY
PZ0000000-00 MOUNT ASSY,ROLLER
PZ0000000-00 VIEW SYSTEM (COLOR MONITOR)
PZ0000000-00 PARTS ASSY,ELECTRICITY (CAMERA)
PZ0000000-00 VIEW SYSTEM (COLOR MONITOR)
PZ0000000-00 VIEW SYSTEM
PZ0000000-00 PARTS ASSY,ELECTRICITY (CAMERA)
PZ0000000-00 PARTS ASSY,ELECTRICITY (MONITOR + SONAR)
PZ0000000-00 VIEW SYSTEM
PZ0000000-00 HARNESS
PZ0000000-00 VIEW SYSTEM (MONITOR + SONAR)
PZ0000000-00 PARTS ASSY,ELECTRICITY (CAMERA + SONAR)

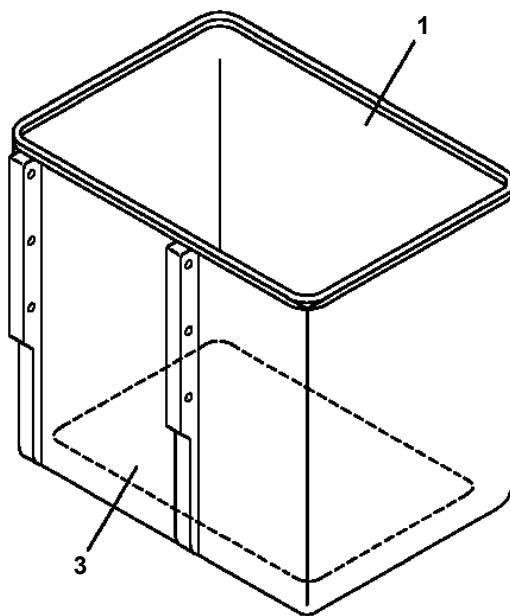
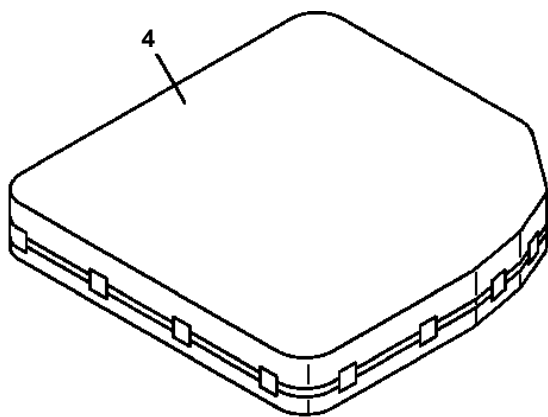
AT-100-5 42063543944 UPPER,LOWER,ISUZU 2RG-NKR88AN-EE5AHY-JD

Pos No.	Parts No	Parts Name	Qty	Unit	Technical Data	Serial No (Start)	Serial No (End)	R
2	36652620000	PUMP,HYDRAULIC (EMERGENCY)	1					
3	91810130250	FASTENER	1					
21	42823560101	COVER (WITH ROPE)	1					

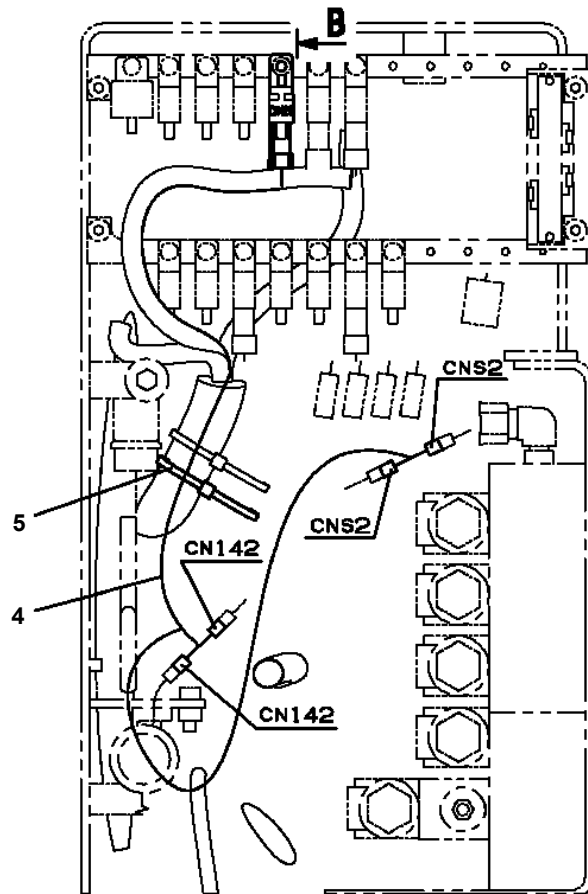
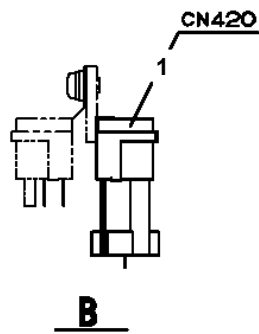
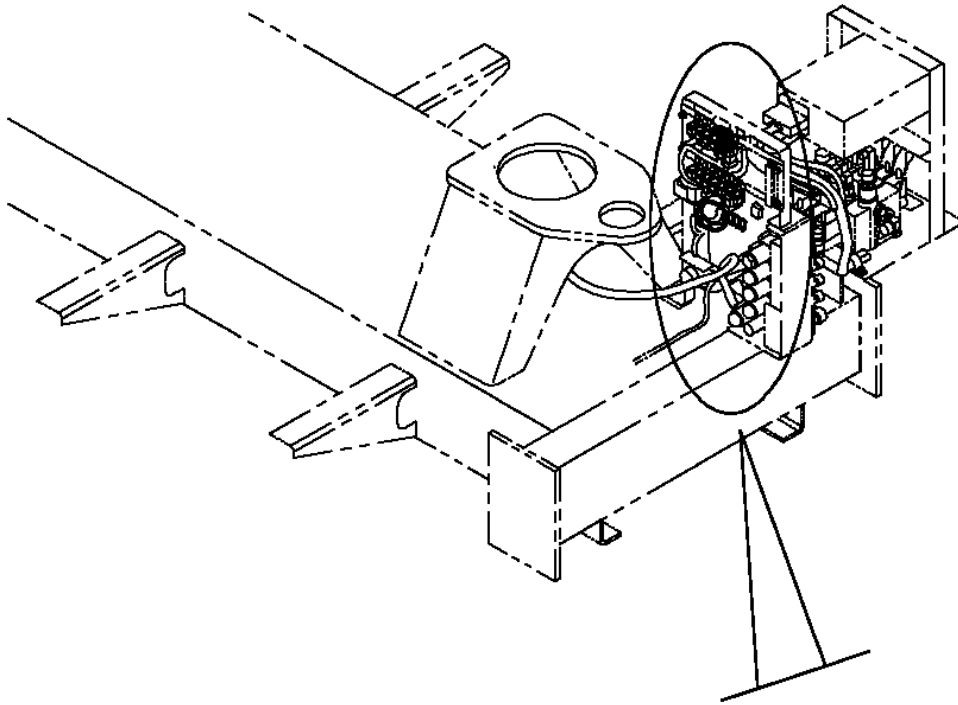
AT-100-5 42063543944 UPPER,LOWER,ISUZU 2RG-NKR88AN-EE5AHY-JD
PB5260037-00 BOX ASSY



**AT-100-5 42063543944 UPPER,LOWER,ISUZU 2RG-NKR88AN-EE5AHY-JD
PB5350012-00 BUCKET ASSY (WITHOUT INNER CASE)**

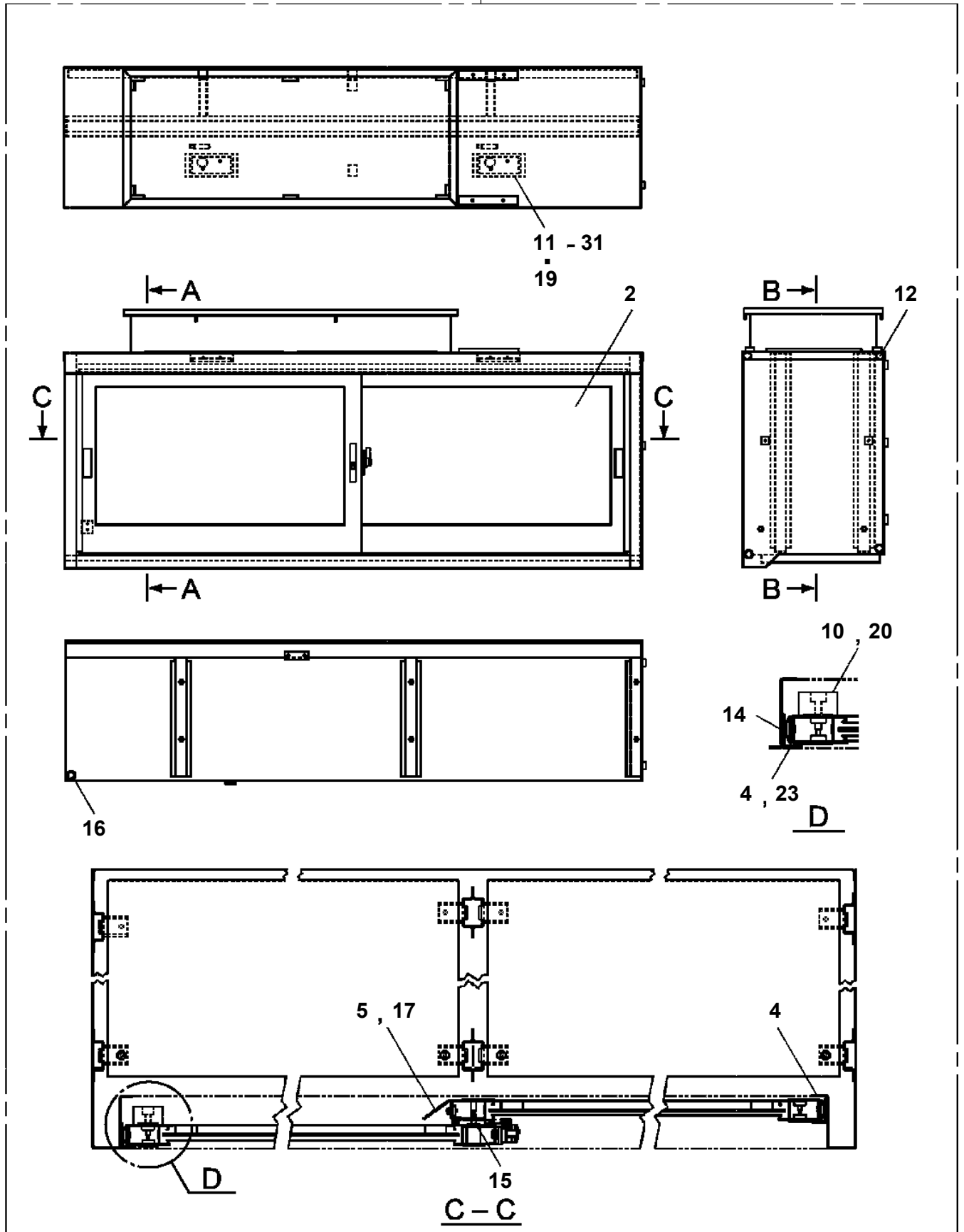


**AT-100-5 42063543944 UPPER,LOWER,ISUZU 2RG-NKR88AN-EE5AHY-JD
PB5390006-00 BUZZER ASSY (JACK CONTROL ALARM)**



AT-100-5 42063543944 UPPER,LOWER,ISUZU 2RG-NKR88AN-EE5AHY-JD
PB5410113-00 BOX,TOOL

100



AT-100-5 42063543944 UPPER,LOWER,ISUZU 2RG-NKR88AN-EE5AHY-JD

Pos No.	Parts No	Parts Name	Qty	Unit	Technical Data	Serial No (Start)	Serial No (End)	Remarks	Pag
1	42974491100	FRAME	1						
2	42974491200	BOX	2						
3	42971121050	STOPPER	2						
4	82466188304	LOCK	2						
5	82460000500	CATCH	2						
6	80172804010	SCREW,MACHINE	8		M4X10				
7	90302510401	WASHER,SPRING	8		4				
8	90201500400	NUT	8		M4				
9	90101208018	BOLT	4		M8X18				
10	90302040801	WASHER,SPRING	4		8				
11	90303070801	WASHER,PLAIN	4		8				
12	90190206012	BOLT	8		M6X12				
13	90302510601	WASHER,SPRING (6)	8						
14	90303520601	WASHER,PLAIN	8		6				
15	42971941010	PLATE	8						
16	42971121030	STOPPER	2						
100	42974491000	BOX,TOOL	1						

AT-100-5 42063543944 UPPER,LOWER,ISUZU 2RG-NKR88AN-EE5AHY-JD

Pos No.	Parts No	Parts Name	Qty	Unit	Technical Data	Serial No (Start)	Serial No (End)
1	(*****)	ELEC.ASSY (JACK HORIZONTAL)	1				
4	(*****)	PIPING ASSY	1				
7	(*****)	NAME PLATE ASSY (JACK HORIZONTAL)	1				

AT-100-5 42063543944 UPPER,LOWER,ISUZU 2RG-NKR88AN-EE5AHY-JD

Pos No.	Parts No	Parts Name	Qty	Unit	Technical Data	Serial No (Start)	Serial No (End)	Remarks	Pages
1	31270642100	COVER (BLACK)	1						
2	31270642200	COVER (BLACK)	1						
3	90101208016	BOLT	3		M8X16				
4	90302040801	WASHER,SPRING	4		8				
6	37000578740	PLATE	4		T=1.6				
7	90101208020	BOLT	1		M8X20				
15	42443940300	SUPPORT	1						

AT-100-5 42063543944 UPPER,LOWER,ISUZU 2RG-NKR88AN-EE5AHY-JD

Pos No.	Parts No	Parts Name	Qty	Unit	Technical Data	Serial No (Start)	Serial No (End)	Remarks	Pages
1	42512621100	COVER ASSY	1						
21	42321151102	COVER	1						
22	42512621200	COVER	1						
23	82464122900	HINGE	2						
24	90190204010	BOLT	8		M4X10				
25	90303520401	WASHER,PLAIN	12		4				
26	90302510401	WASHER,SPRING	8		4				
27	90201500400	NUT	8		M4				
28	82460025402	CATCH	1						
29	90302040501	WASHER,SPRING	4		5				
30	80175805010	SCREW,MACHINE	4		M5X10				
31	90201200500	NUT	4		M5				
32	42875640010	PLATE	4		T=0.5				
33	80172304008	SCREW,MACHINE	2		M4X8				
34	90201200400	NUT	1		M4				
35	90240200400	NUT,CAP	1		M4				
36	90303070401	WASHER,PLAIN	2		4				
37	42321112010	CHAIN	1						
38	82466016470	COVER	1						

AT-100-5 42063543944 UPPER,LOWER,ISUZU 2RG-NKR88AN-EE5AHY-JD

Pos No.	Parts No	Parts Name	Qty	Unit	Technical Data	Serial No (Start)	Serial No (End)	Remarks	Pages
1	42513930100	COVER (LEFT)	1						
2	42513940100	COVER (RIGHT)	1						
3	90101208014	BOLT	6		M8X14				
4	90302040801	WASHER,SPRING	6		8				
5	90303070801	WASHER,PLAIN	6		8				
6	90201200800	NUT	6		M8				

AT-100-5 42063543944 UPPER,LOWER,ISUZU 2RG-NKR88AN-EE5AHY-JD

Pos No.	Parts No	Parts Name	Qty	Unit	Technical Data	Serial No (Start)	Serial No (End)	Remarks	P
1	90730008120	SCREW,SET	1		M8X12				
2	91332207500	BEARING,PLAIN	2						
3	91684007501	PACKING	2						
4	91431206201	RING,BACKUP	2						
5	91002903500	O-RING	1		1B G35				
6	36035920300	PISTON	1						
7	36037110400	ROD	1						
8	36037591000	CYLINDER	1						
9	91002907000	O-RING	1		1B G70				
10	91694006000	PACKING	1						
11	91430206002	RING,BACKUP	1						
12	36036739510	COVER,ROD	1						
13	91660006001	SEAL,DUST	1						
14	91002907500	O-RING	1		1B G75				
15	80801006060	BEARING,PLAIN	1						
16	80612110680	RING,RITAINING	1		AR68				
31	36036739900	PACKING SET	1		60X75				
100	36037590000	CYLINDER ASSY,JACK	1						

AT-100-5 42063543944 UPPER,LOWER,ISUZU 2RG-NKR88AN-EE5AHY-JD

Pos No.	Parts No	Parts Name	Qty	Unit	Technical Data	Serial No (Start)	Ser
1	36081325090	RING,SNAP	1				
2	36081325010	SPACER	1				
3	36081325080	SHIM SET	1				
4	36081325110	BEARING,TAPER ROLLER	1				
5	36081325020	WORM	1				
6	36081325120	BEARING,TAPER ROLLER	1				
7	36080755040	GAUGE,OIL	1				
8	36080235080	WASHER,SEAL	1		M16		
9	80316090060	PLUG	1		KKT PT3/8		
12	91280431931	SEAL,OIL	1				
13	36081325050	CASE,GEAR	1				
14	36081325130	BEARING,BALL(METAL SHIELD TYPE 6210ZZC3)	1				
15	36081325140	BEARING,BALL (RUBBER SEAL TYPE 6210LLU)	1				
16	36080495050	BOLT,SEMS (M10X25,WITH WASHER)	9				
17	36080505080	KEY	1				
18	36081325060	WHEEL,WORM	1				
19	36081325070	CASE,GEAR	1				
20	80500006209	BEARING,BALL	1				
21	80601110450	RING,RITAINING	1		S45		
22	36080015000	PIN	2				
23	82400000478	BREATHER	1				
31	36081615500	GEAR,SPUR	1				
50	36081610000	REDUCER,SWING SPEED	1				

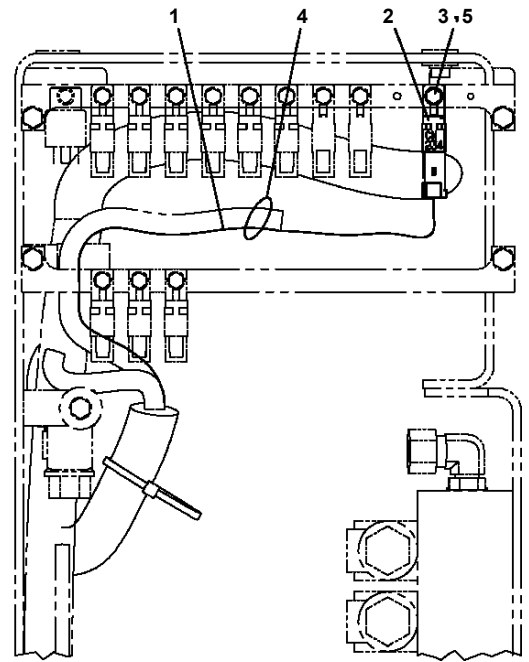
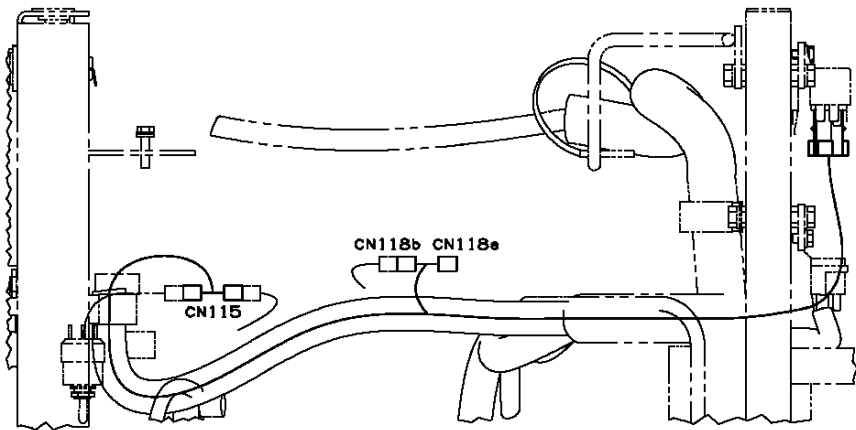
AT-100-5 42063543944 UPPER,LOWER,ISUZU 2RG-NKR88AN-EE5AHY-JD

Pos No.	Parts No	Parts Name	Qty	Unit	Technical Data	Serial No (Start)	Serial No (End)	Remarks	Pages
1	42972600100	SUPPORT	1						000237
2	36160020000	REEL,CORD	1						
3	90101208025	BOLT	3		M8X25				
4	90302040801	WASHER,SPRING	3		8				
5	42739710200	EARTH	1						
6	42972480200	SUPPORT	1						
7	90101210025	BOLT	2		M10X25				
8	90302041001	WASHER,SPRING	2		10				
9	37000506590	PLATE	2		T=1.6				
10	37002710850	CABLE	1		AV30B L=900				
11	82100002006	CLAMP	1		WR10				
12	90101206016	BOLT	1		M6X16				
13	90302040601	WASHER,SPRING	1		6				
14	90201200600	NUT	1		M6				

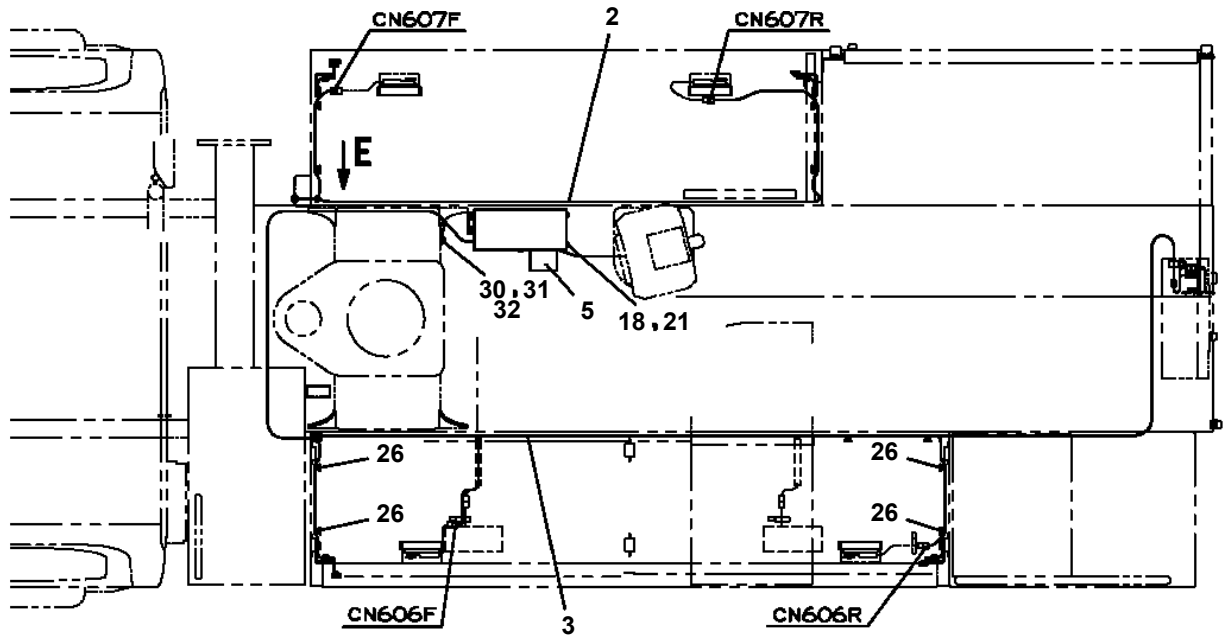
AT-100-5 42063543944 UPPER,LOWER,ISUZU 2RG-NKR88AN-EE5AHY-JD

Pos No.	Parts No	Parts Name	Qty	Unit	Technical Data	Serial N
1	(*****)	POWER SUPPLY ASSY,ELECTRICITY (LOWER/3-POLE+EARTH)	1			
2	(*****)	ELEC.ASSY (BUCKET/100V 3POLES OUTLET+WORK LAMP,55W)	1			

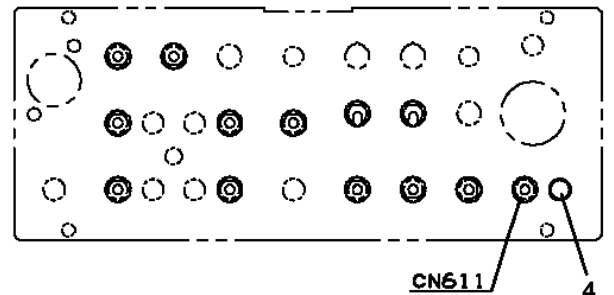
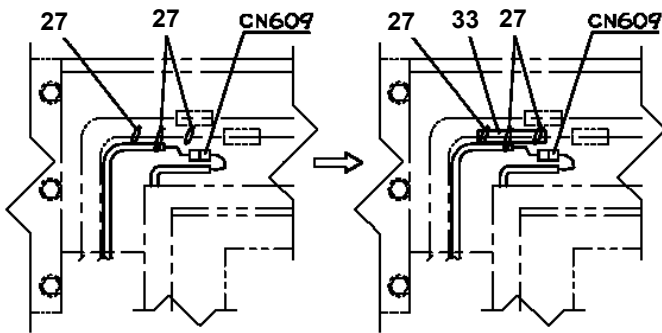
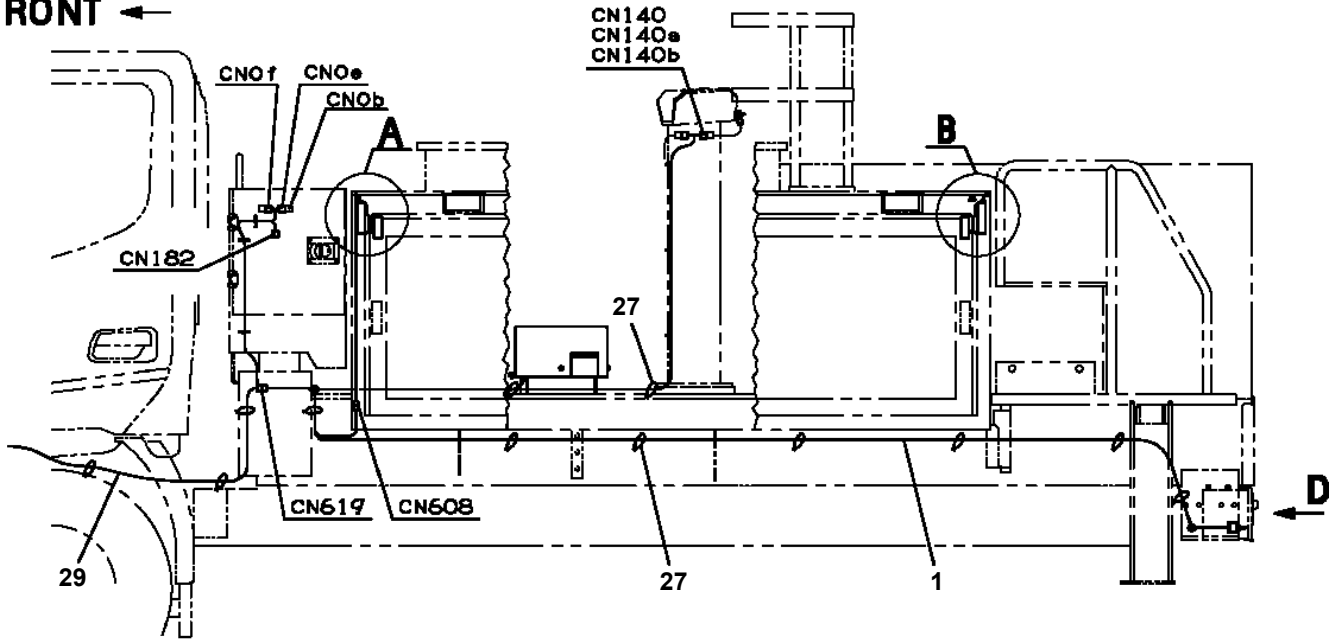
**AT-100-5 42063543944 UPPER,LOWER,ISUZU 2RG-NKR88AN-EE5AHY-JD
PE5021023-00 ELEC.ASSY (EMERGENCY SW FUNCTION LIMIT CIRCUIT)**



**AT-100-5 42063543944 UPPER,LOWER,ISUZU 2RG-NKR88AN-EE5AHY-JD
PE5021077-01 ELEC.ASSY (FRAME)**



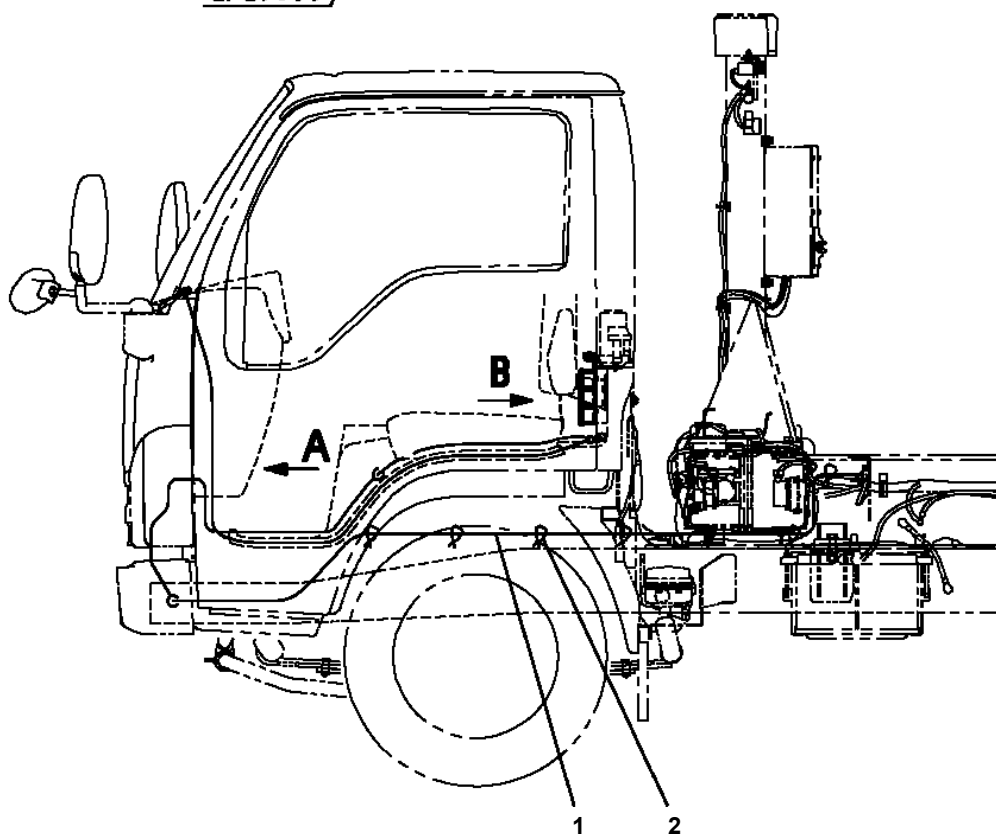
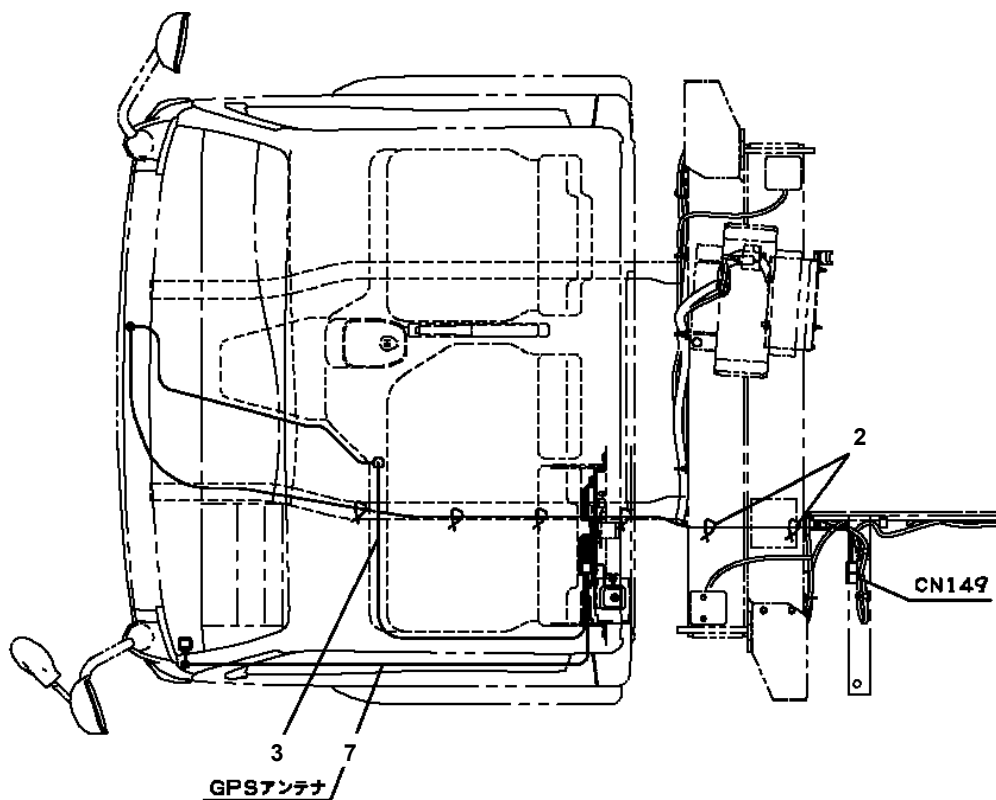
FRONT ←



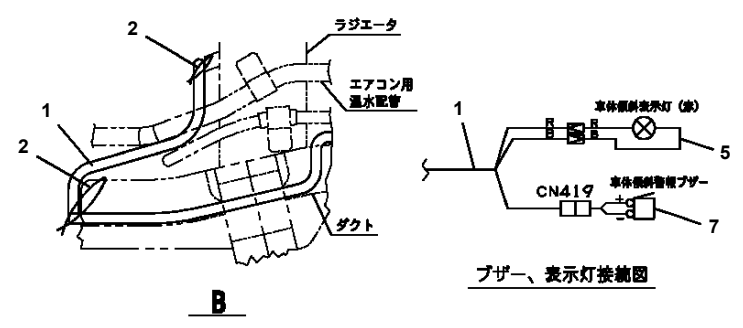
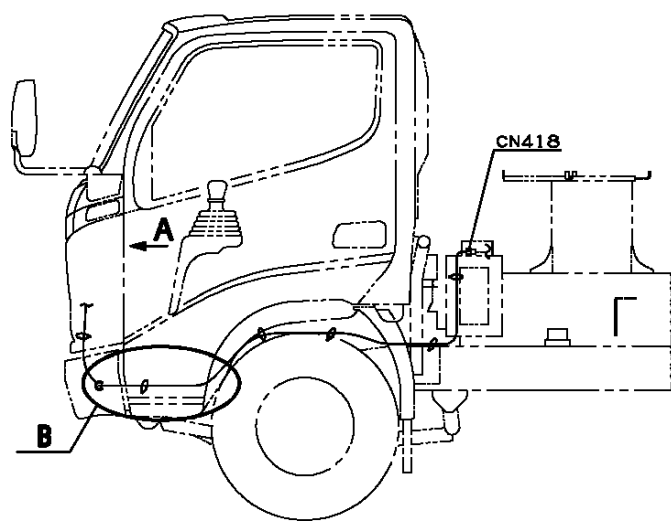
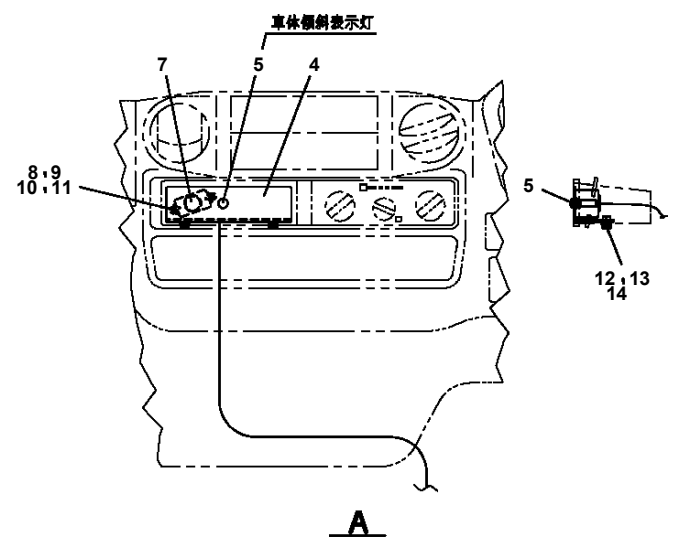
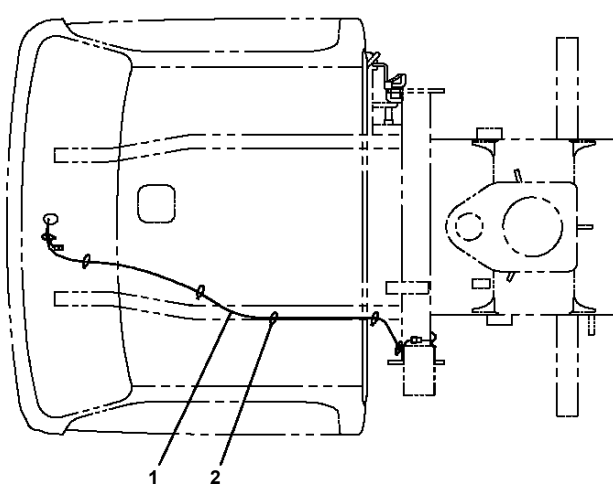
E

D

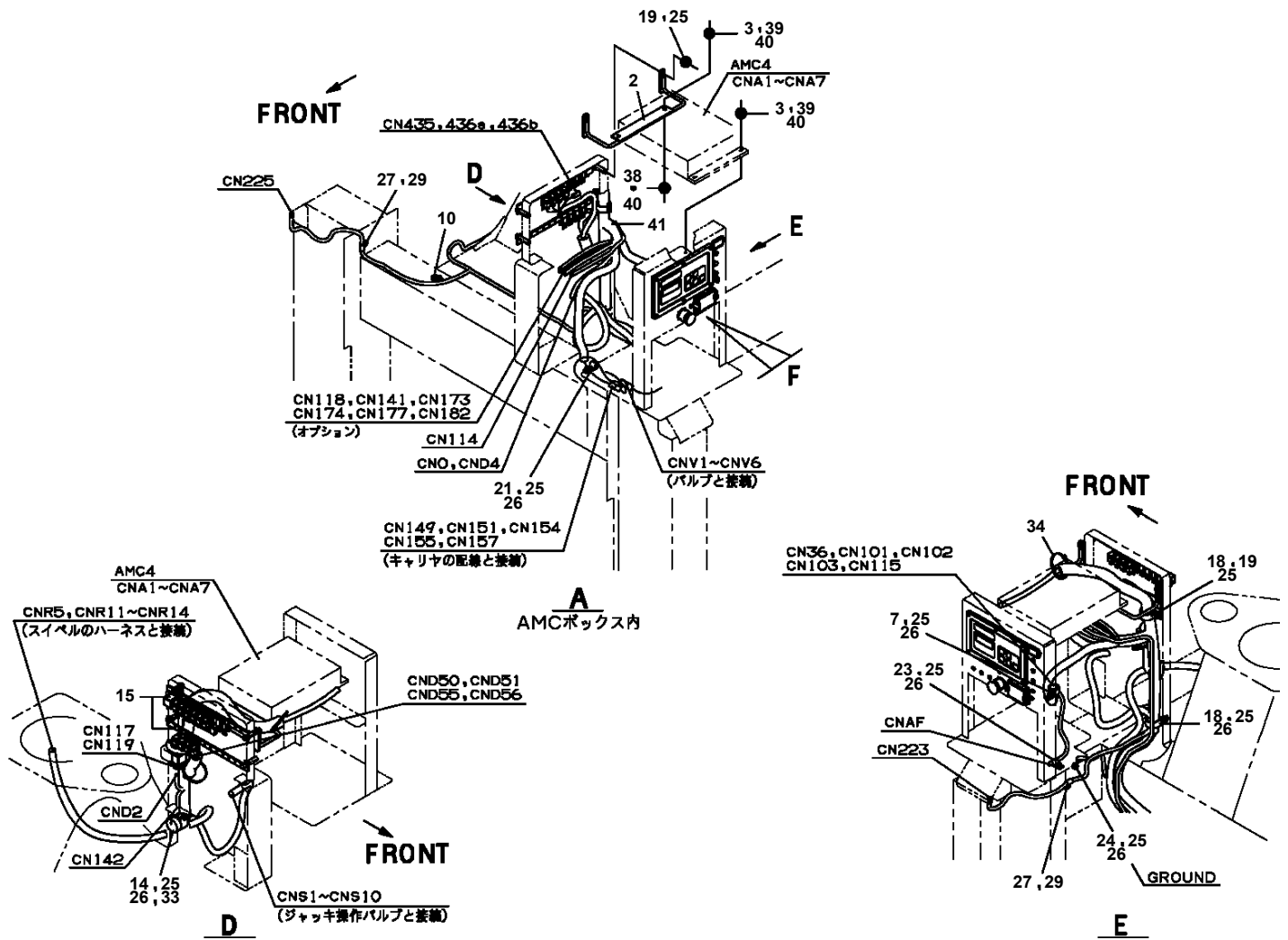
AT-100-5 42063543944 UPPER,LOWER,ISUZU 2RG-NKR88AN-EE5AHY-JD
PE5021285-00 ELEC.ASSY (TELEMATICS)



AT-100-5 42063543944 UPPER,LOWER,ISUZU 2RG-NKR88AN-EE5AHY-JD
 PE5070047-01 ELEC.ASSY,CARRIER



**AT-100-5 42063543944 UPPER,LOWER,ISUZU 2RG-NKR88AN-EE5AHY-JD
PE5110078-00 ELEC.ASSY,FRAME**



AT-100-5 42063543944 UPPER,LOWER,ISUZU 2RG-NKR88AN-EE5AHY-JD

Pos No.	Parts No	Parts Name	Qty	Unit	Technical Data	Serial No (Start)	Serial No (End)
1	36132400001	DETECTOR ASSY,LENGTH (BOOM)	1				
2	42350071000	ROLLER ASSY	1				
3	42353100600	ROLLER ASSY	1				
4	90303070601	WASHER,PLAIN	1		6		
5	80620210060	PIN,SNAP	1				
6	91810132530	FASTENER	2				
7	90180206016	BOLT,BUTTON	4		M6X16		
8	90302040601	WASHER,SPRING	4		6		
10	89630101000	HOSE,VINYL	1		4X6,1M		
31	42360030040	SUPPORT	1				
32	37001102350	ROLLER	2				
33	37000302060	SPACER	2		L=11.2		
35	90201201000	NUT	2		M10		
36	90302041001	WASHER,SPRING	2		10		
37	90303071001	WASHER,PLAIN	2		10		
41	42351120200	SUPPORT	1				

AT-100-5 42063543944 UPPER,LOWER,ISUZU 2RG-NKR88AN-EE5AHY-JD

Pos No.	Parts No	Parts Name	Qty	Unit	Technical Data	Serial No (Start)	Serial No (End)	Remarks	Pages
1	42267421100	GRIP	1						
2	90240301200	NUT	4		M12				
3	90183112025	BOLT	4		M12X25				
4	42267421200	PLATE	2						

AT-100-5 42063543944 UPPER,LOWER,ISUZU 2RG-NKR88AN-EE5AHY-JD

Pos No.	Parts No	Parts Name	Qty	Unit	Technical Data	Serial No (Start)	Serial No (End)	Remarks
1	42739693110	DISPLAY	1					
2	42807401150	CABLE	1					
3	42739931150	CAMERA	1					
30	42970011100	VIEW SYSTEM (MAIN UNIT)	1					

AT-100-5 42063543944 UPPER,LOWER,ISUZU 2RG-NKR88AN-EE5AHY-JD

Pos No.	Parts No	Parts Name	Qty	Unit	Technical Data	Serial No (Start)	Serial No (End)	Remarks
2	42739697510	CABLE ASSY	1					
	42739697510	CABLE ASSY	1					
3	42739697540	CABLE ASSY	1					
	42739697540	CABLE ASSY	1					
4	42739697520	CLIP	1					
	42739697520	CLIP	1					
5	42739697530	REMOTE CONTROL ASSY	1					
	42739697530	REMOTE CONTROL ASSY	1					
100	42739693110	DISPLAY	1					
	42739693110	DISPLAY	1					

AT-100-5 42063543944 UPPER,LOWER,ISUZU 2RG-NKR88AN-EE5AHY-JD

Pos No.	Parts No	Parts Name	Qty	Unit	Technical Data	Serial No (Start)	Serial No (End)	Remarks
100	42837372300	HARNESS (LEFT BOX TOOL)	1					

AT-100-5 42063543944 UPPER,LOWER,ISUZU 2RG-NKR88AN-EE5AHY-JD

Pos No.	Parts No	Parts Name	Qty	Unit	Technical Data	Serial No (Start)	Serial No (End)	Remarks	Pages
100	42355780200	HARNESS	1						

AT-100-5 42063543944 UPPER,LOWER,ISUZU 2RG-NKR88AN-EE5AHY-JD

Pos No.	Parts No	Parts Name	Qty	Unit	Technical Data	Serial No (Start)	Serial No (End)	Remarks	Pages
100	42501080100	HARNESS	1						
	42501080100	HARNESS	1						

AT-100-5 42063543944 UPPER,LOWER,ISUZU 2RG-NKR88AN-EE5AHY-JD

Pos No.	Parts No	Parts Name	Qty	Unit	Technical Data	Serial No (Start)	Serial No (End)	Remarks	Pages
100	42973100101	HARNESS	1						

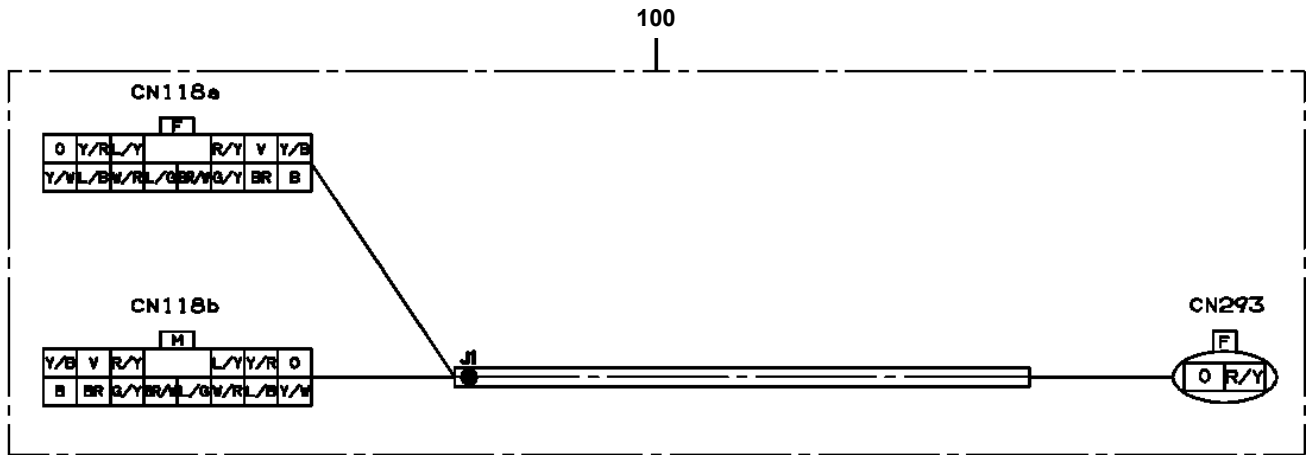
AT-100-5 42063543944 UPPER,LOWER,ISUZU 2RG-NKR88AN-EE5AHY-JD

Pos No.	Parts No	Parts Name	Qty	Unit	Technical Data	Serial No (Start)	Serial N
1	82182819835	DIODE	1		1.5A		
100	42512431100	HARNESS (RUNAWAY PREVENTION,RELAY)	1				

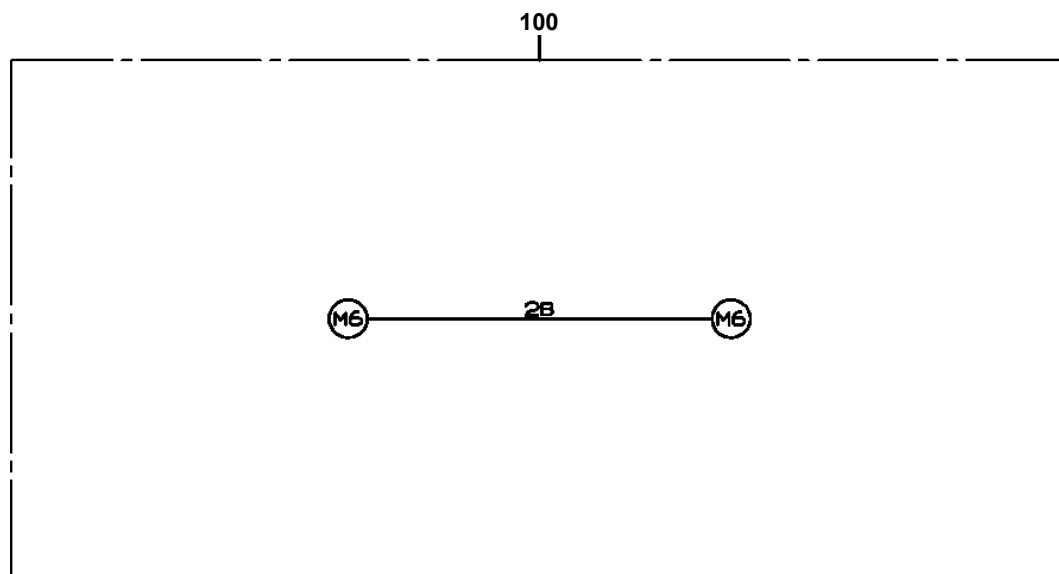
AT-100-5 42063543944 UPPER,LOWER,ISUZU 2RG-NKR88AN-EE5AHY-JD

Pos No.	Parts No	Parts Name	Qty	Unit	Technical Data	Serial No (Start)	Serial No (End)	Remarks	Pages
100	42837373101	HARNESS	1						

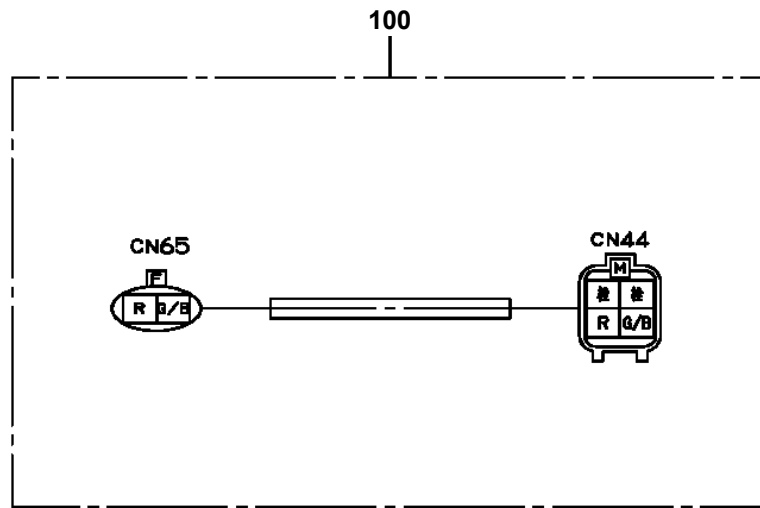
AT-100-5 42063543944 UPPER,LOWER,ISUZU 2RG-NKR88AN-EE5AHY-JD
 PH5033743-00 HARNESS



AT-100-5 42063543944 UPPER,LOWER,ISUZU 2RG-NKR88AN-EE5AHY-JD
PH5034167-00 HARNESS

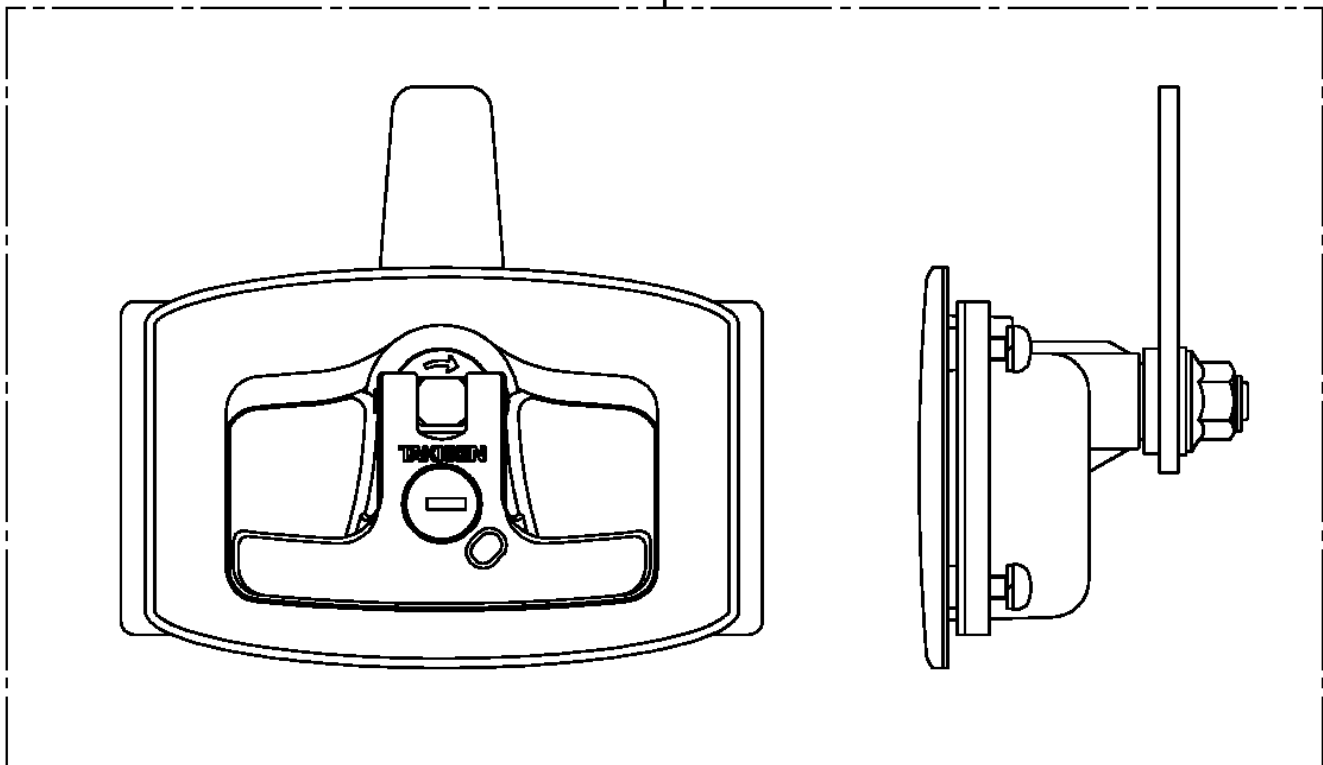


AT-100-5 42063543944 UPPER,LOWER,ISUZU 2RG-NKR88AN-EE5AHY-JD
PH5034182-00 HARNESS



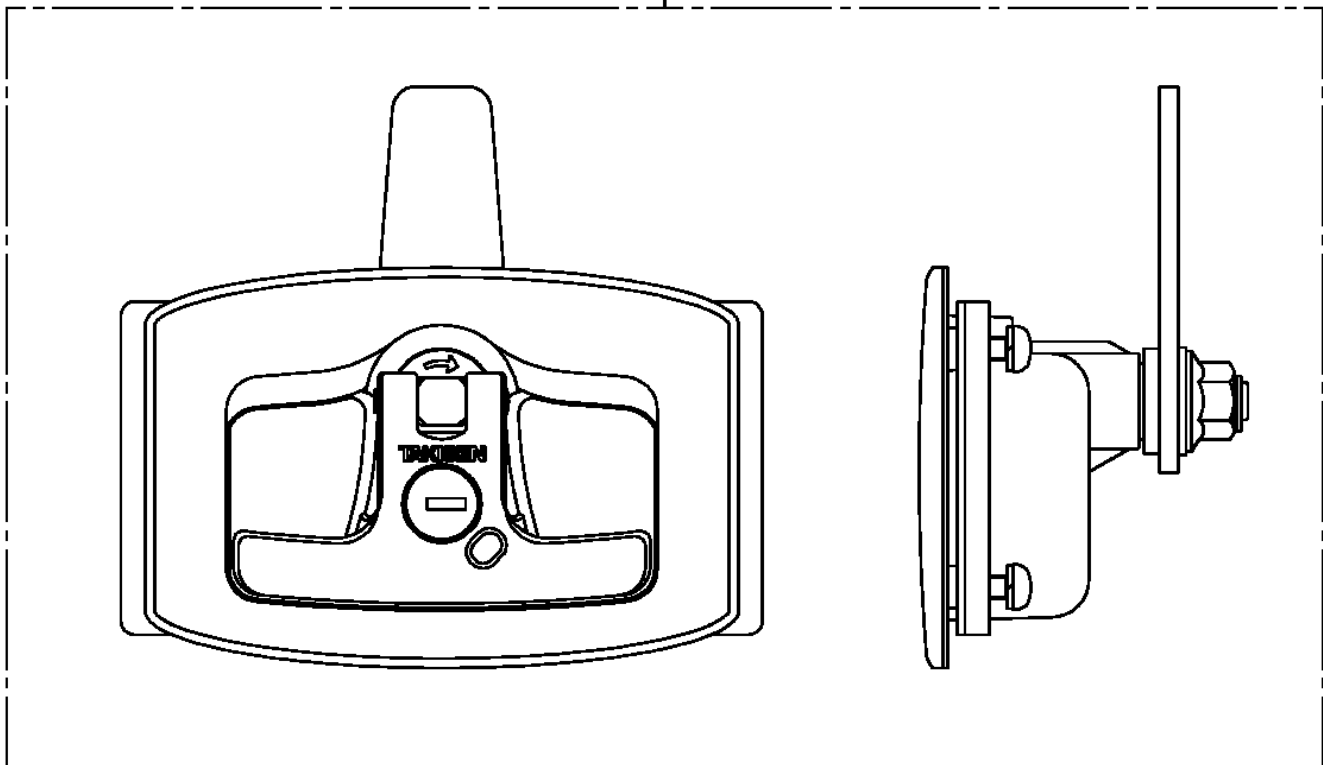
AT-100-5 42063543944 UPPER,LOWER,ISUZU 2RG-NKR88AN-EE5AHY-JD
PH5190001-00 HANDLE

1

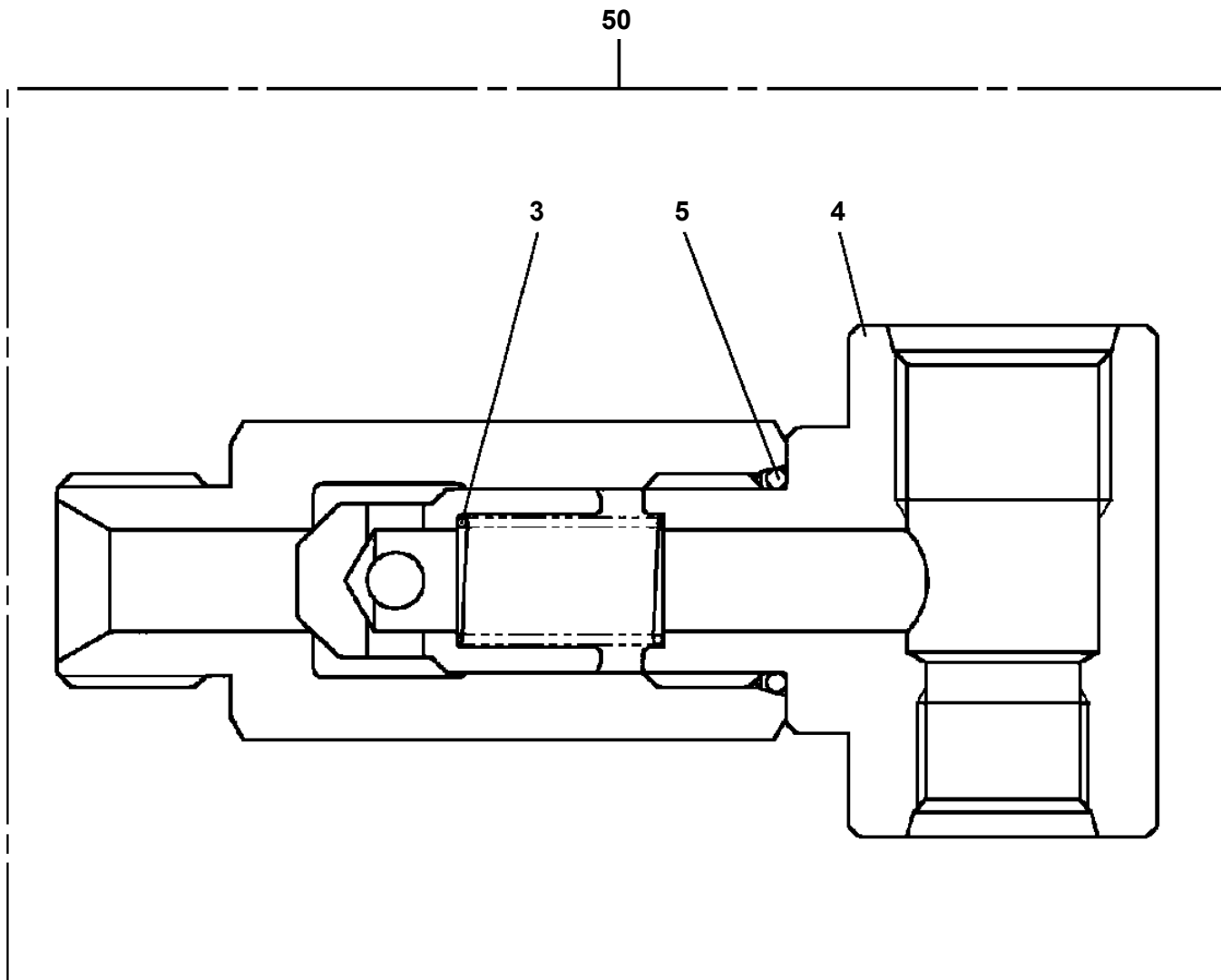


AT-100-5 42063543944 UPPER,LOWER,ISUZU 2RG-NKR88AN-EE5AHY-JD
PH5190001-00 HANDLE

1



AT-100-5 42063543944 UPPER,LOWER,ISUZU 2RG-NKR88AN-EE5AHY-JD
PI1140165-00 VALVE,CHECK (MORIKAWA GAUGE)



**AT-100-5 42063543944 UPPER,LOWER,ISUZU 2RG-NKR88AN-EE5AHY-JD
PI5170036-00 INTERLOCK ASSY (RUNAWAY PREVENTION/HINO)**

インターロックASSY (イツソウホ^ホ ウシ/ヒノ)
INTERLOCK ASSY (RUNAWAY PREVENTION/HINO)

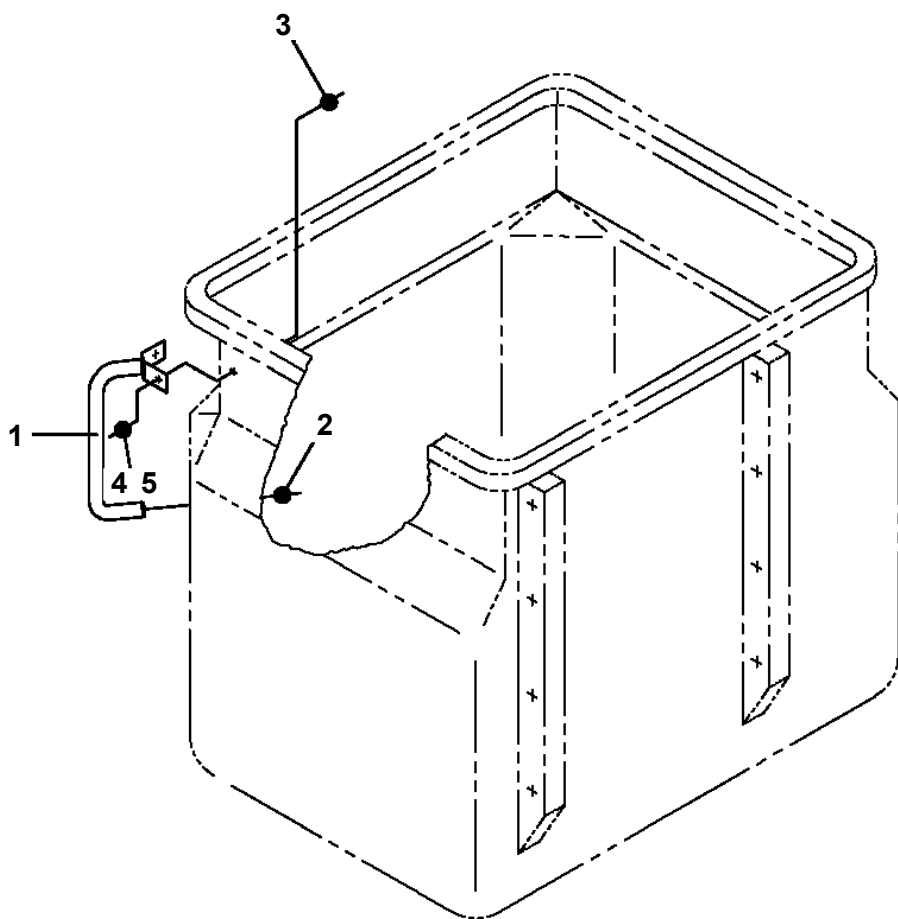
逃走防止オプション (日野用)

指示番号 KEY NO.	部品名称 PART NAME	備考 REMARK
1	ハイセンASSY ELEC.ASSY	フレーム部ハイセン
2	ハイセンASSY, キャリヤ ELEC.ASSY, CARRIER	日野用 シャーシ部ハイセン
3	ネームプレートASSY NAME PLATE ASSY	

適用製造番号によっては取り付けがないものもあります。

MACHINES OF SOME SERIAL NO. ARE NOT EQUIPPED WITH THESE PARTS.

AT-100-5 42063543944 UPPER,LOWER,ISUZU 2RG-NKR88AN-EE5AHY-JD
PJ3010275-00 BUCKET (GRIP)



CLICK HERE TO **DOWNLOAD** THE COMPLETE MANUAL

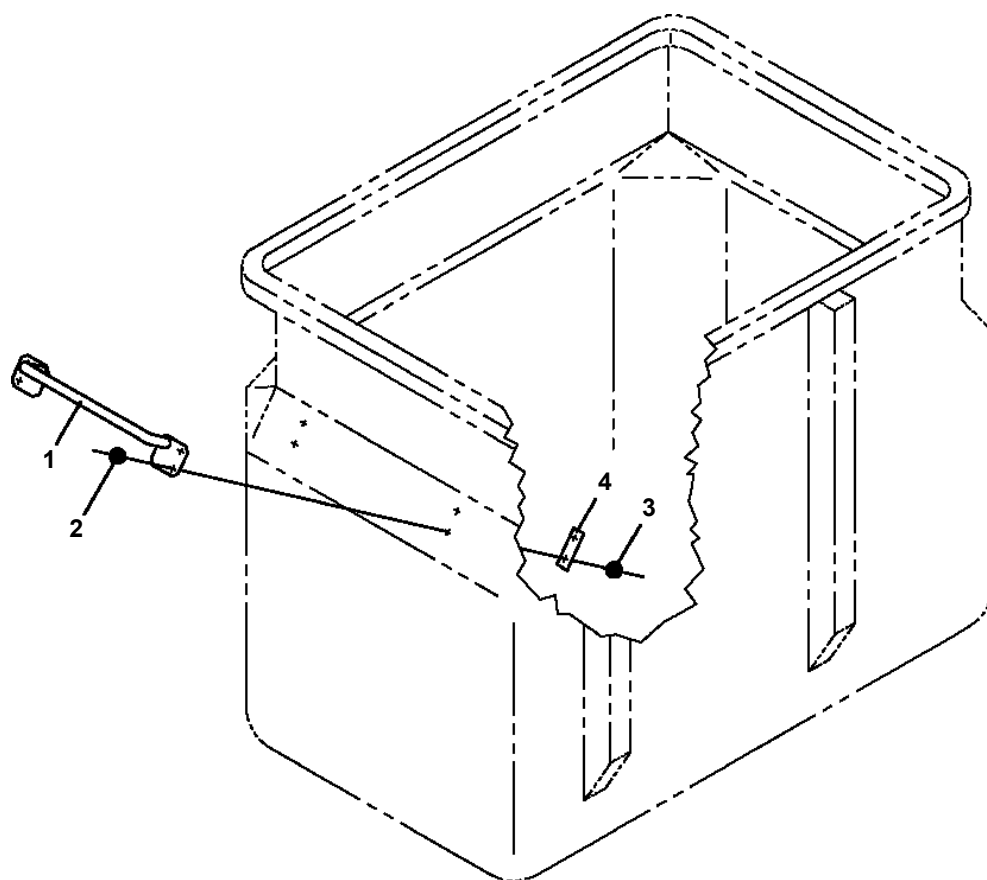
- Thank you very much for reading the preview of the manual.
- You can download the complete manual from: www.heydownloads.com by clicking the link below



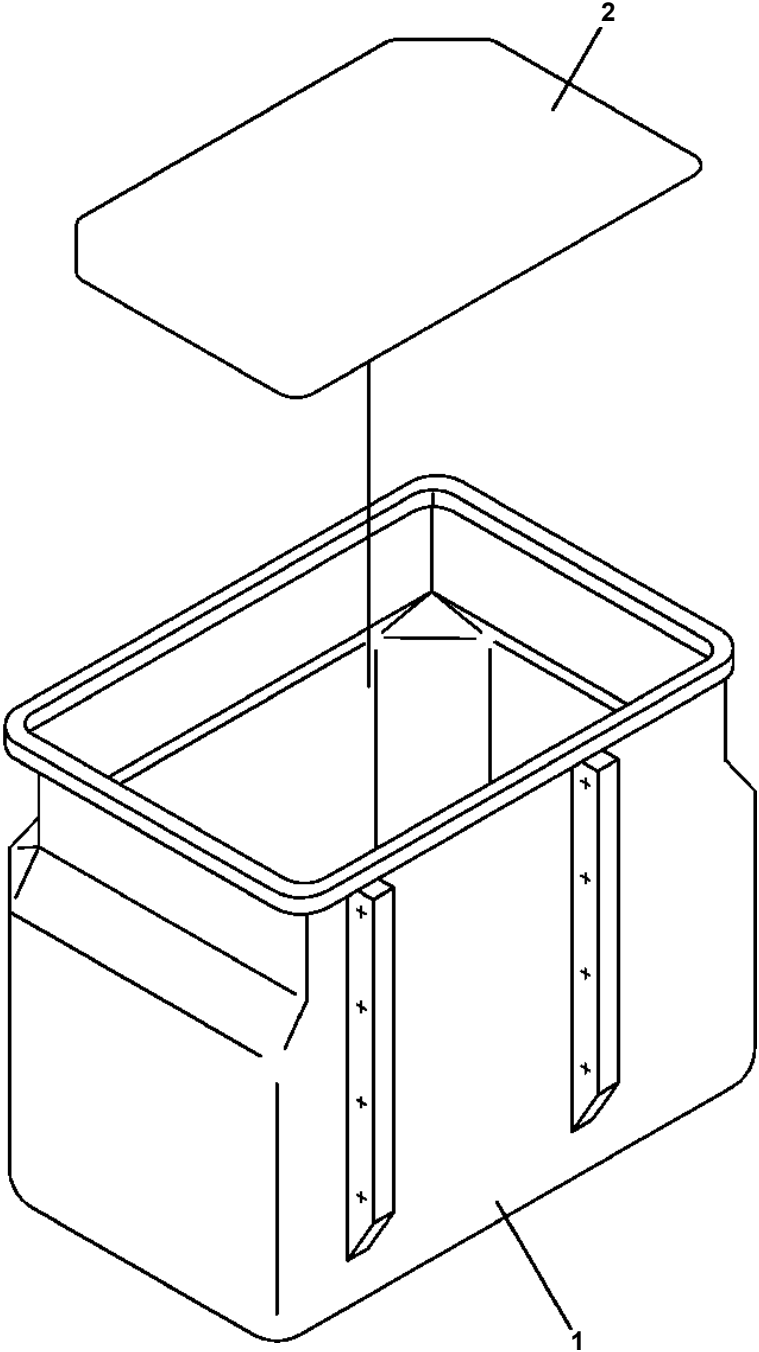
- Please note: If there is no response to CLICKING the link, please download this PDF first and then click on it.

CLICK HERE TO **DOWNLOAD** THE COMPLETE MANUAL

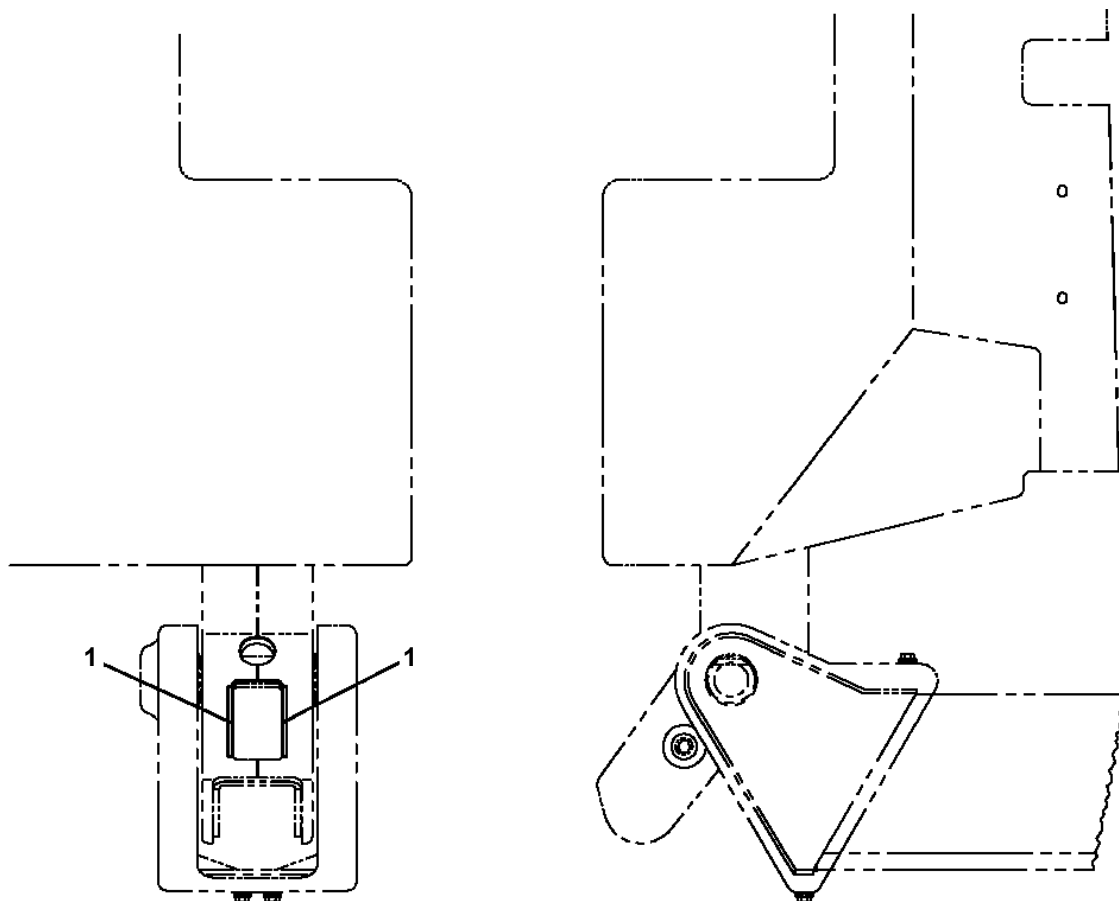
**AT-100-5 42063543944 UPPER,LOWER,ISUZU 2RG-NKR88AN-EE5AHY-JD
PJ3010360-00 BUCKET (GRIP:HORIZONTAL)**



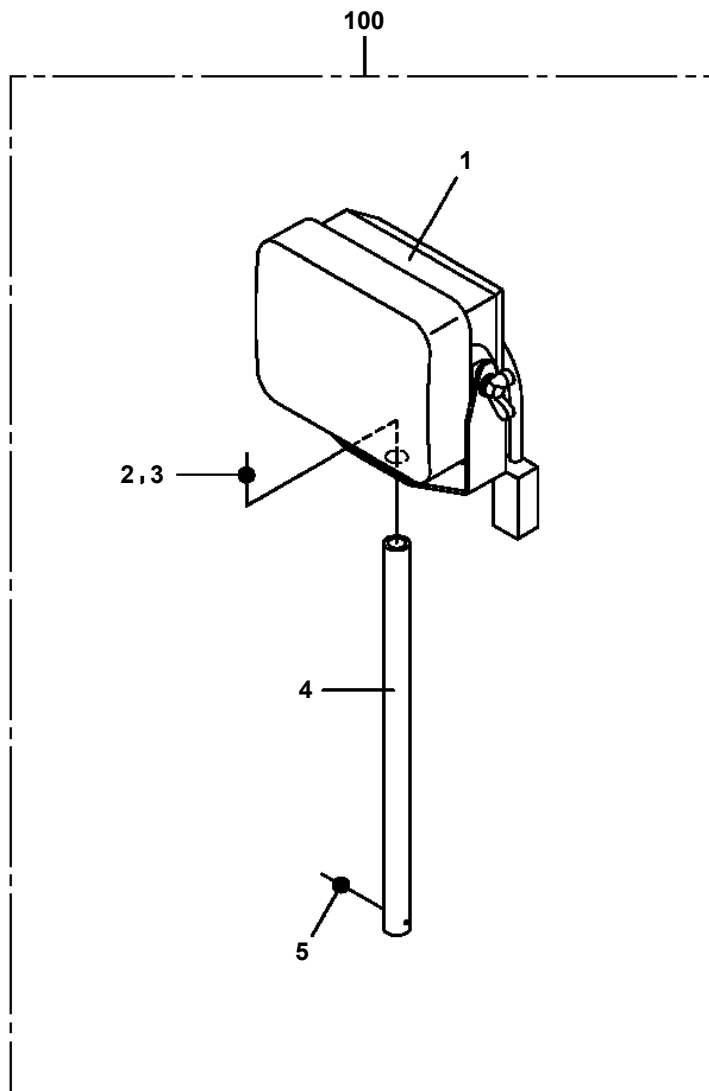
AT-100-5 42063543944 UPPER,LOWER,ISUZU 2RG-NKR88AN-EE5AHY-JD
PJ3010367-00 BUCKET (WHITE/WITH BOSS ON ONE SIDE)



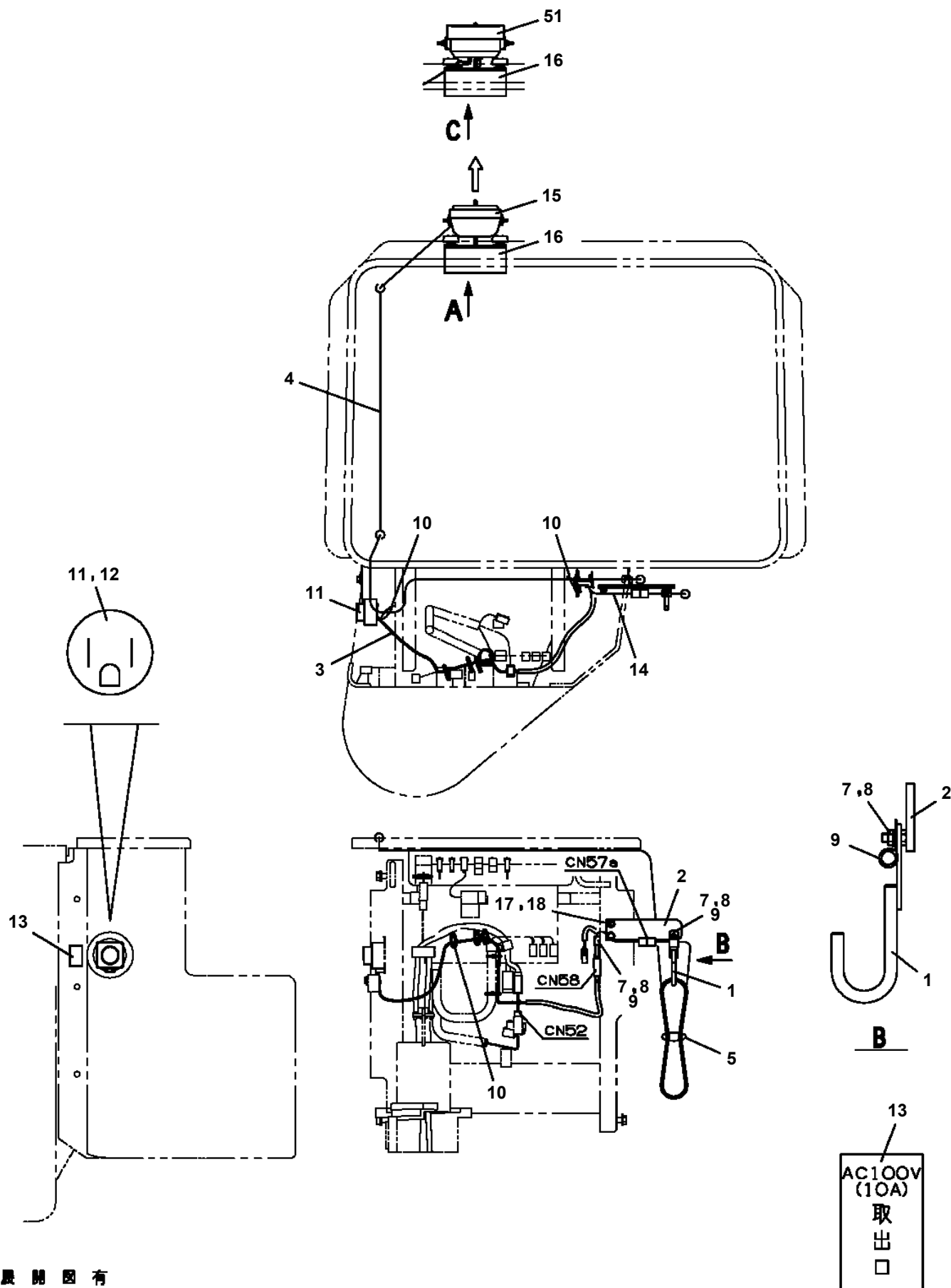
AT-100-5 42063543944 UPPER,LOWER,ISUZU 2RG-NKR88AN-EE5AHY-JD
PK1330360-00 COVER



AT-100-5 42063543944 UPPER,LOWER,ISUZU 2RG-NKR88AN-EE5AHY-JD
PL5020192-00 LAMP ASSY (SQUARE TYPE)

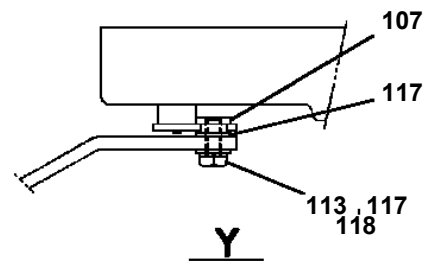
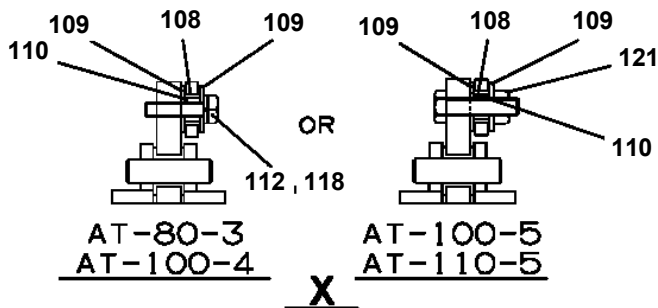
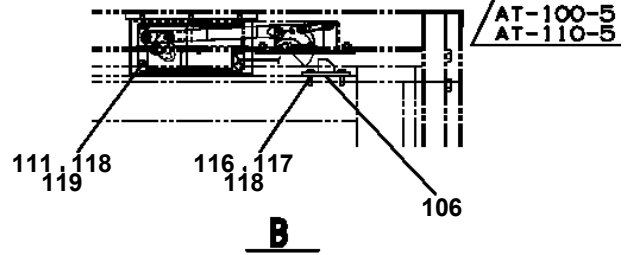
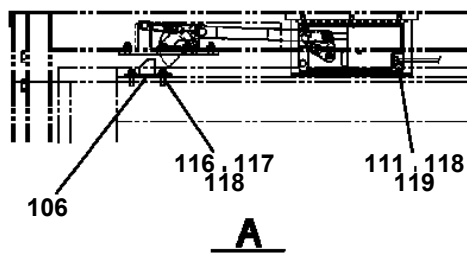
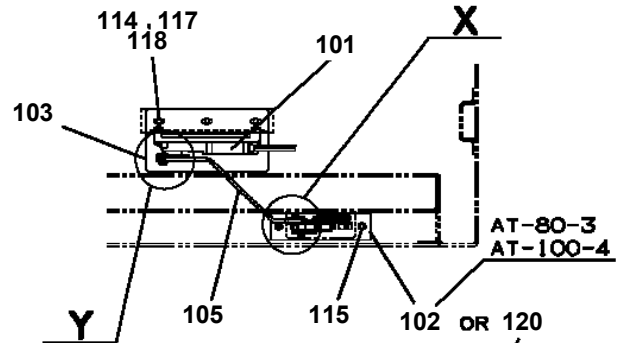
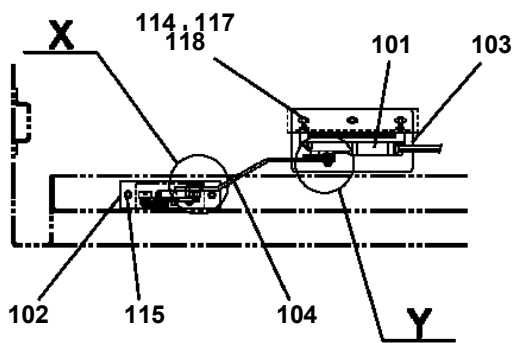
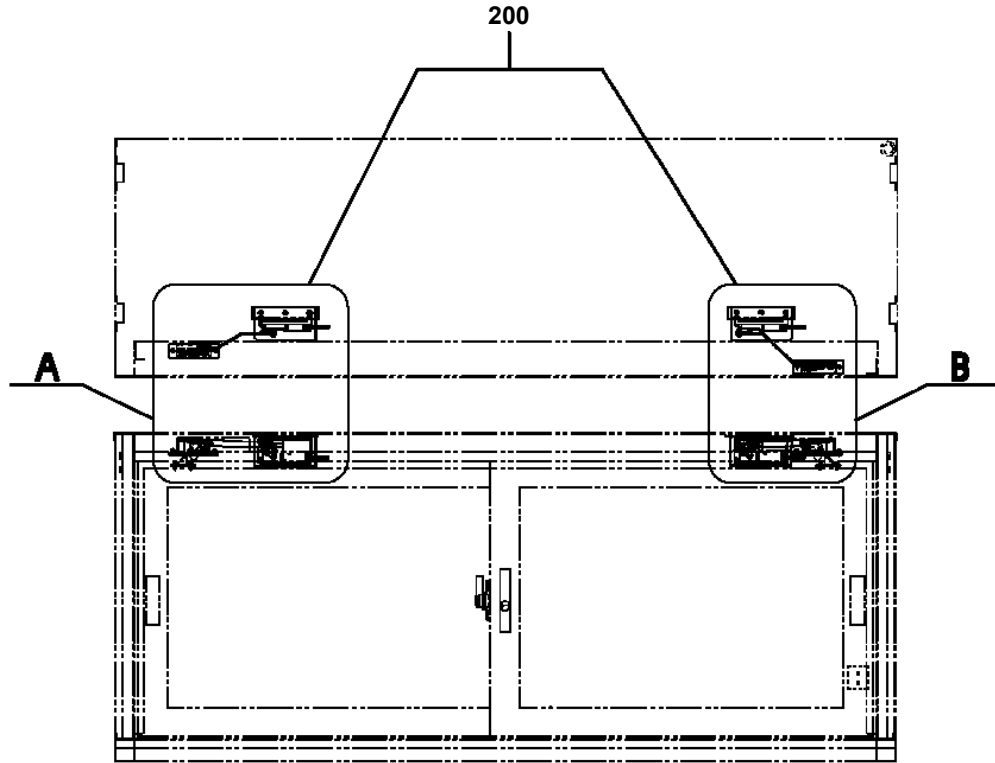


AT-100-5 42063543944 UPPER,LOWER,ISUZU 2RG-NKR88AN-EE5AHY-JD
 PL5140016-02 LAMP ASSY,WORKING (BUCKET/100V,3POLES,LED)

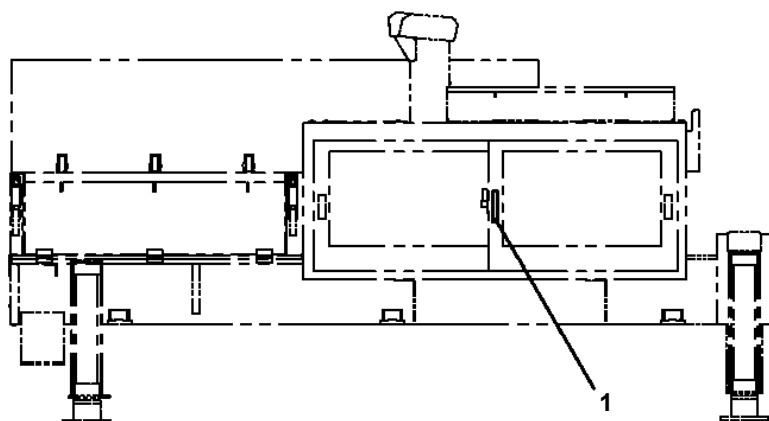
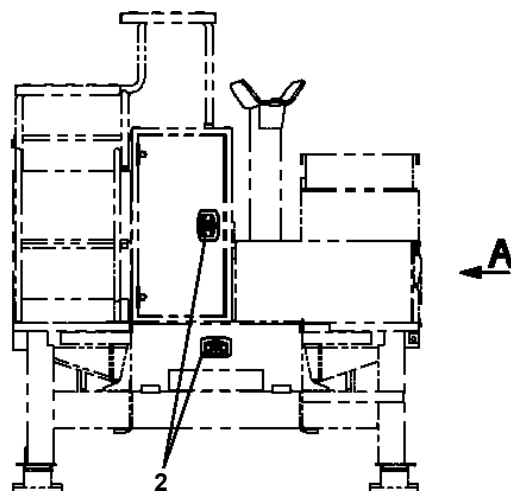
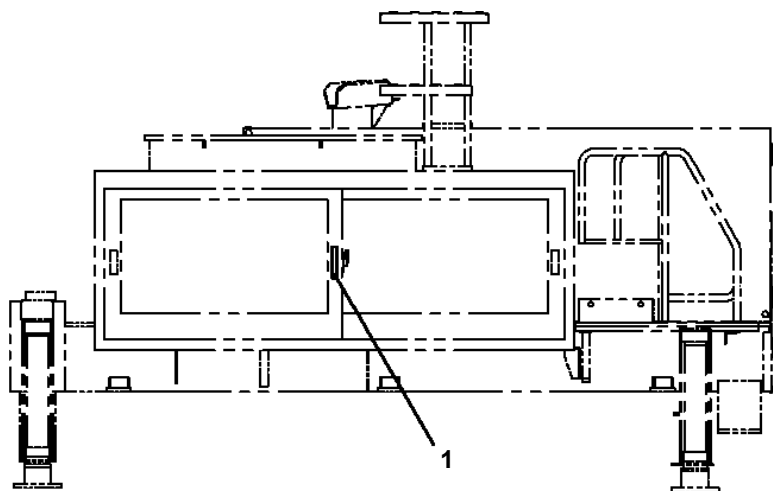


展開図有
 ILLUSTRATED BREAKDOWN NO. 15, 16

**AT-100-5 42063543944 UPPER,LOWER,ISUZU 2RG-NKR88AN-EE5AHY-JD
PL5270022-03 LOCK ASSY**

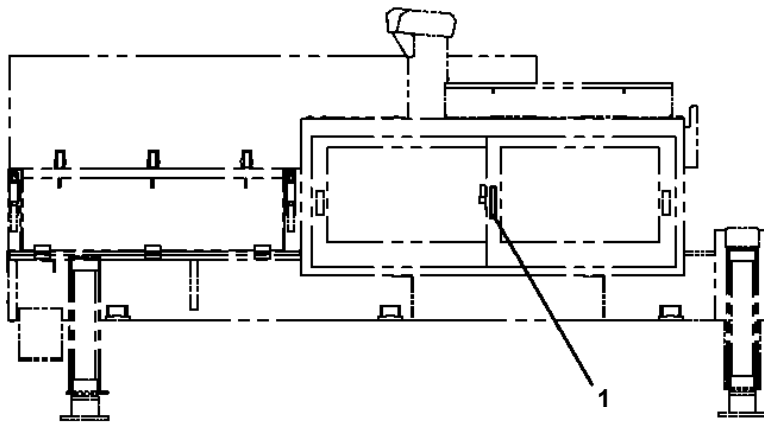
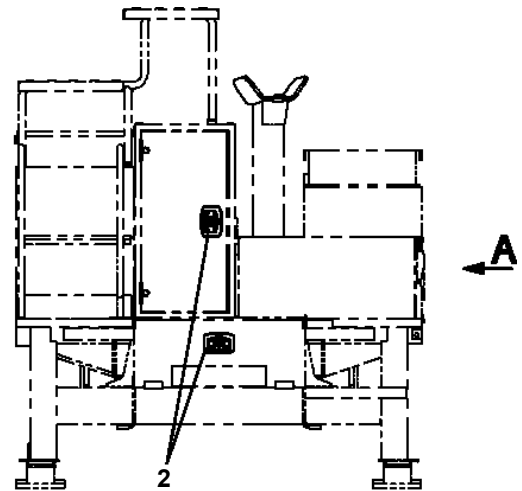
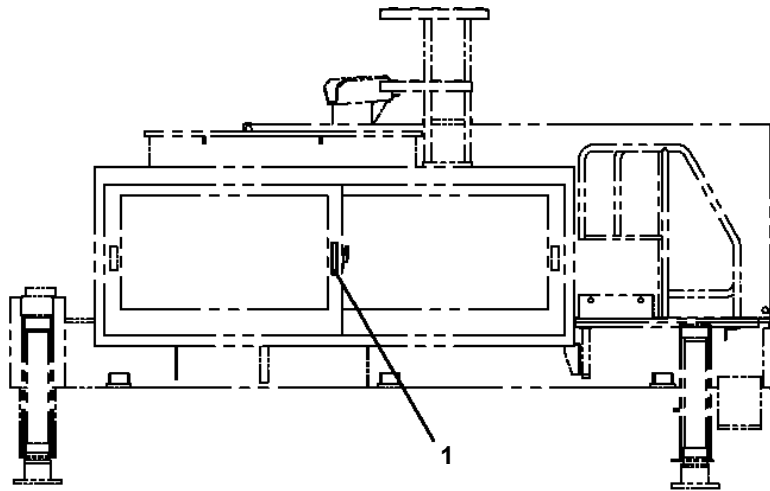


AT-100-5 42063543944 UPPER,LOWER,ISUZU 2RG-NKR88AN-EE5AHY-JD
PL5270047-00 LOCK ASSY (KEY NO.5)



A

AT-100-5 42063543944 UPPER,LOWER,ISUZU 2RG-NKR88AN-EE5AHY-JD
PL5270052-00 LOCK ASSY (KEY NO.10)

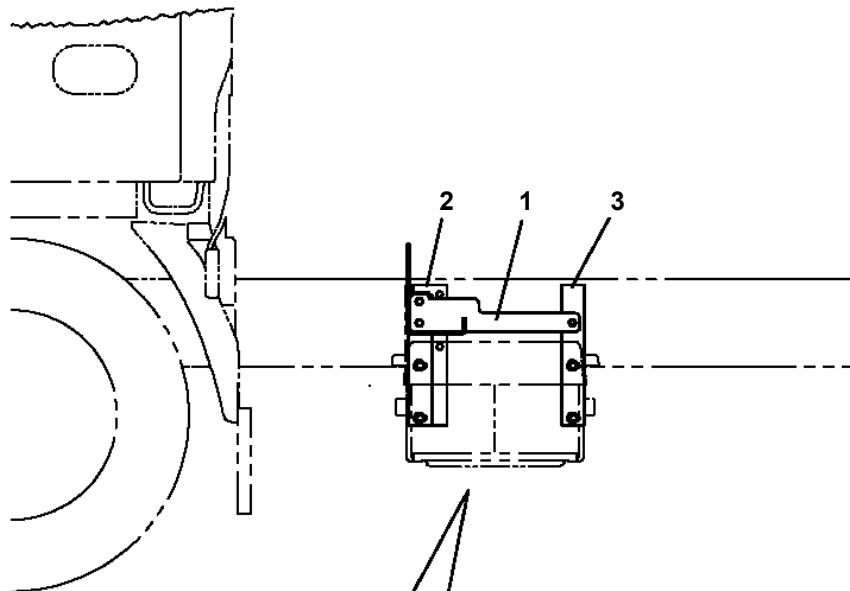
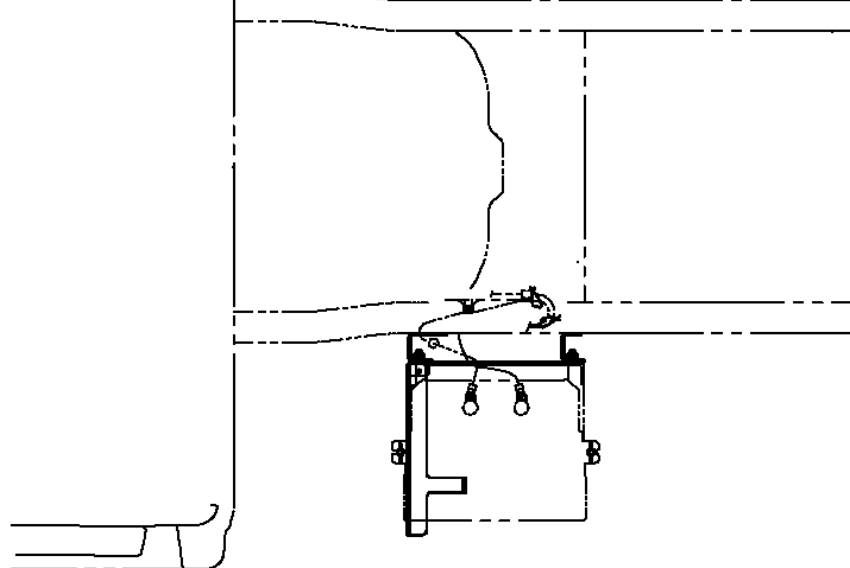
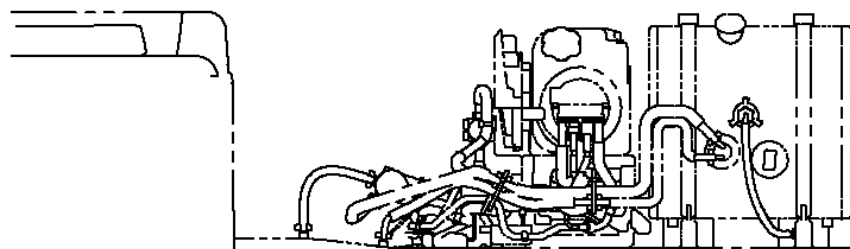


A

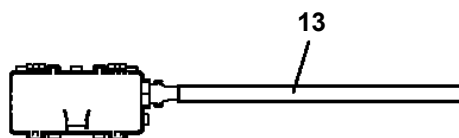
AT-100-5 42063543944 UPPER,LOWER,ISUZU 2RG-NKR88AN-EE5AHY-JD
PM5151050-00 MODIFICATION ASSY (SMOOTHER-EX)

FRONT ←

燃料タンクバンド 16



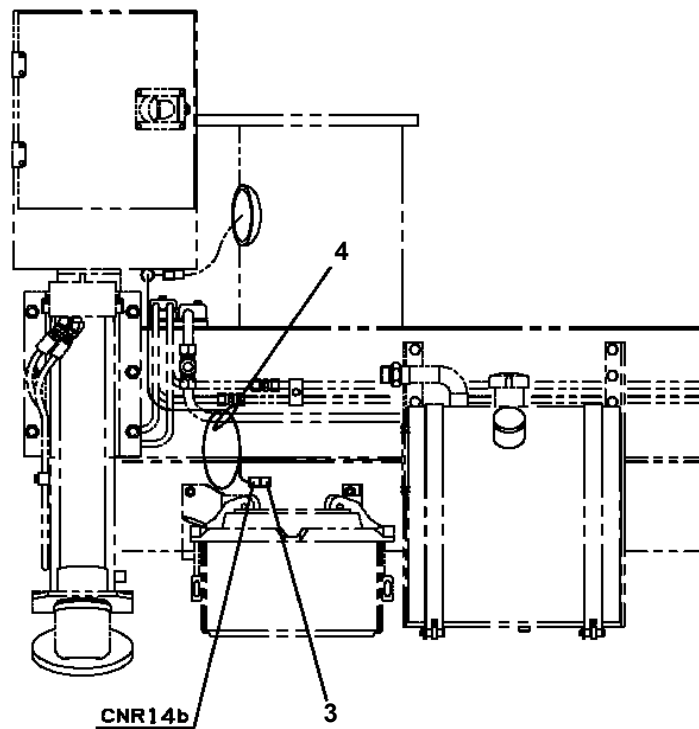
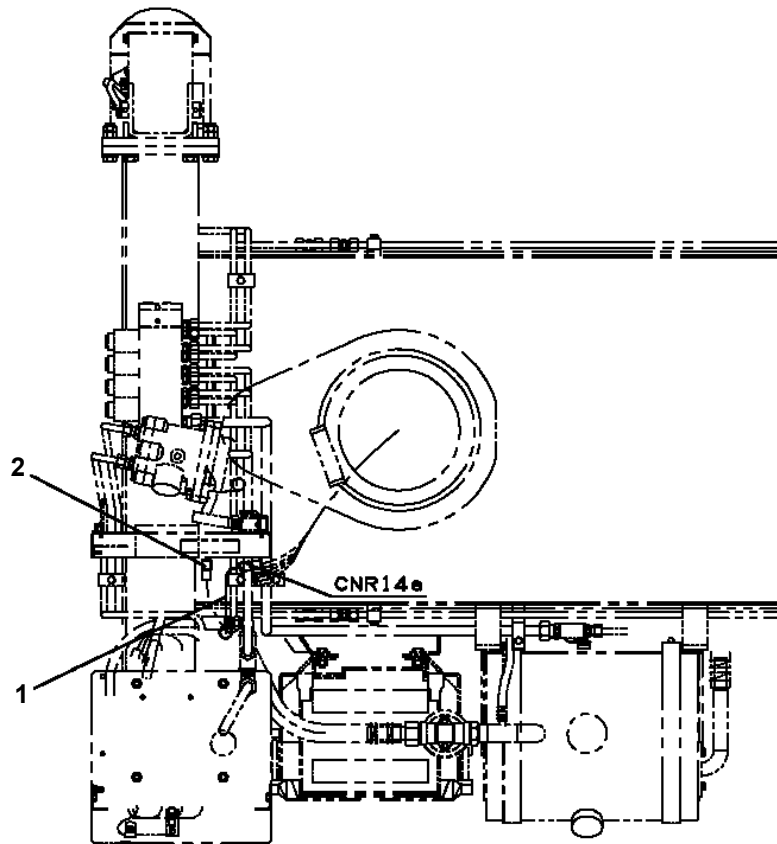
A



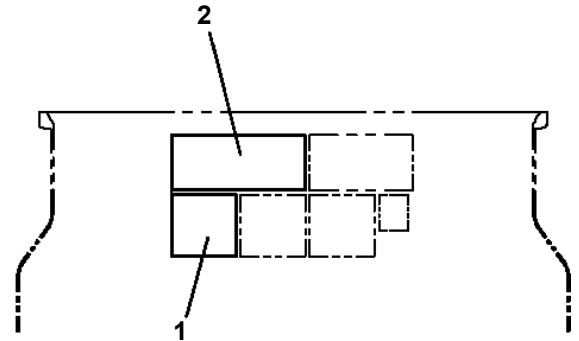
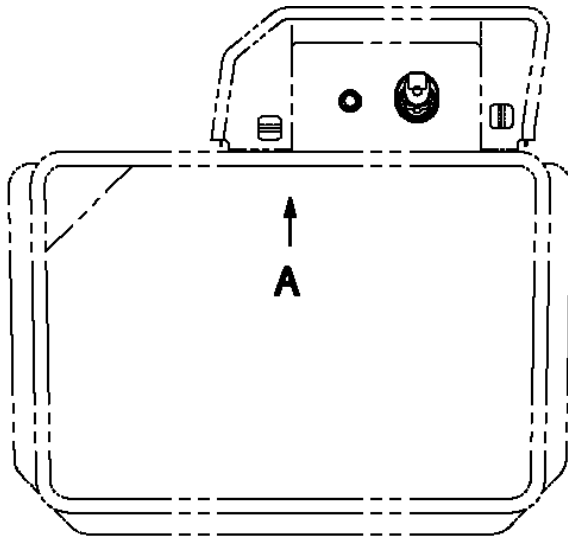
リレーボックスケーブル部

AT-100-5 42063543944 UPPER,LOWER,ISUZU 2RG-NKR88AN-EE5AHY-JD
PN1014285-00 ELEC.ASSY (INVERTER)

FRONT ←



AT-100-5 42063543944 UPPER,LOWER,ISUZU 2RG-NKR88AN-EE5AHY-JD
 PN5010696-01 NAME PLATE ASSY (INSIDE BUCKET)



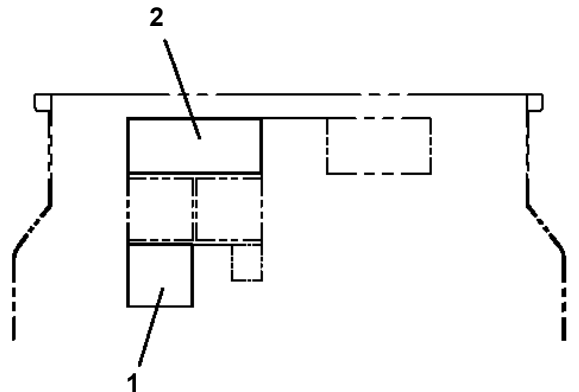
A

AT-100/AT-110の場合

1

ブーム操作方法

- ブーム操作は操作レバーのイネーブルスイッチを押しながら、操作してください。
- 自動巻上スイッチはスイッチのレバーを引上げてから、操作してください。



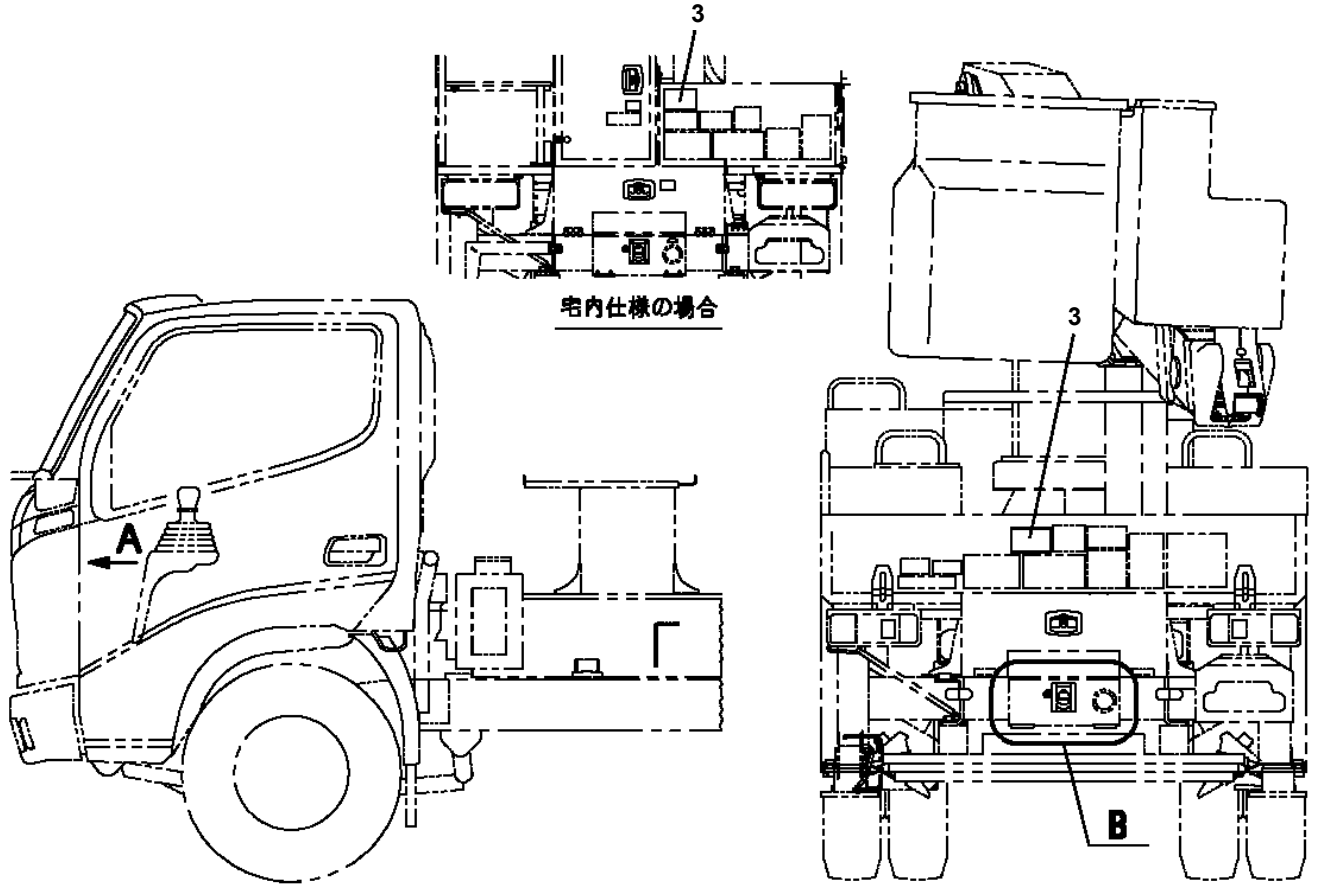
A

AT-121の場合

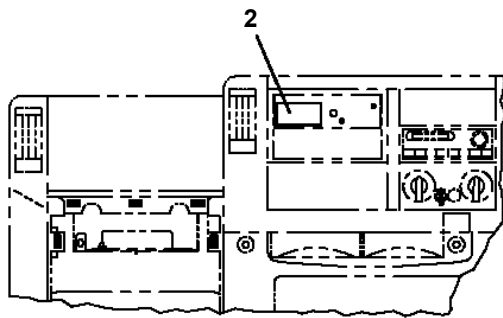
2

⚠警告 / 作業開始前点検	作業車が動かない場合の点検
<p>その日の作業を行う前には取扱説明書に従って、次の「作業開始前点検」を行ってください。</p> <ul style="list-style-type: none"> ○AMCの点検。 *AMC作業開始前点検要領に従って確認。 ○アウトリガ・ブーム・バケットの作動確認。 *異音、ガタツキ、油漏れ等がないこと。 ○バケット水平装置の作動確認。 *起伏操作時に水平の狂いがないこと。 ○緊急停止装置・イネーブルスイッチ等安全装置の作動確認。 *確実に停止すること。 	<ul style="list-style-type: none"> ○ストップスイッチ表示ランプが点灯していませんか？ (バケット部、車両後部、車両後部の3ヶ所) →安全確認後、ストップスイッチを解除し、ランプを消してください。 ○ジャッキインジケータは点灯していますか？ →ジャッキを調整し、ジャッキインジケータを点灯させてください。 ○イネーブルスイッチを押していますか？ (バケット部) →イネーブルスイッチを押してください。

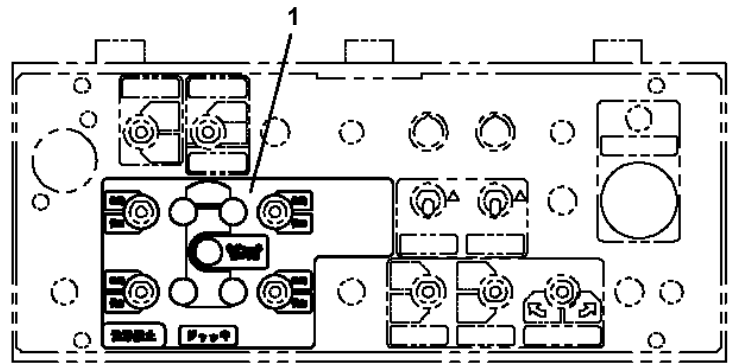
AT-100-5 42063543944 UPPER,LOWER,ISUZU 2RG-NKR88AN-EE5AHY-JD
 PN5010840-01 NAME PLATE ASSY (RUNAWAY PREVENTION)



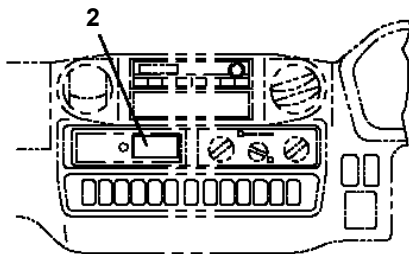
宅内仕様の場合



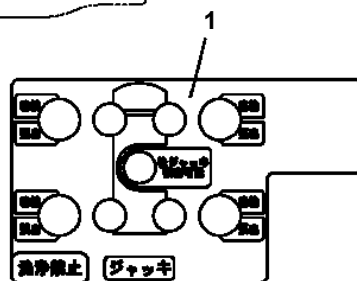
いすゞ車



B
 (扉を開いた状態)



A

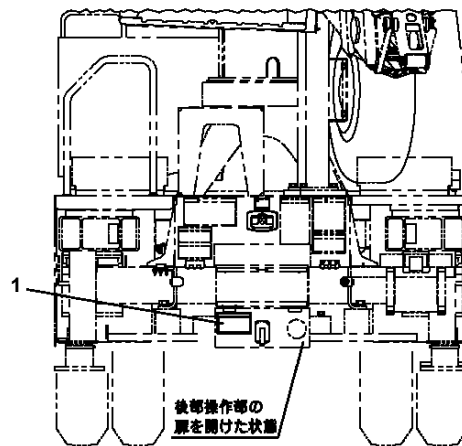
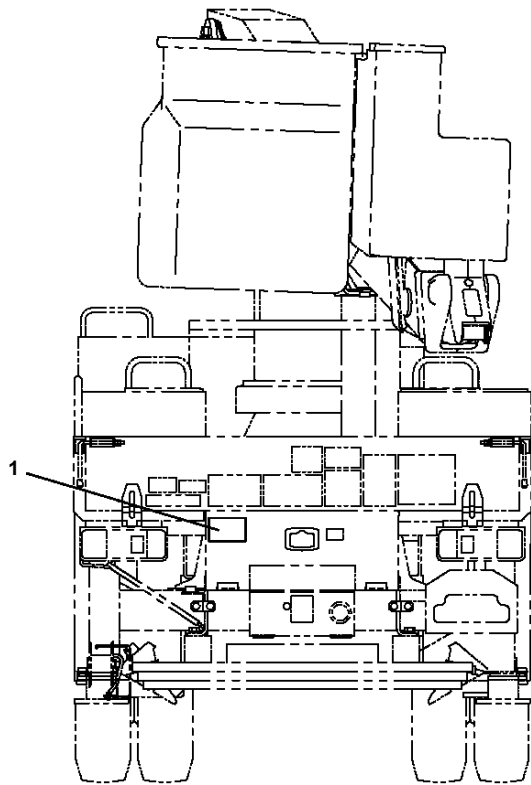


高所作業禁止
 車両の傾きが許容範囲を超えています。車両を再設置してください。
425-0482-72000

アウトリガ操作方法

- アウトリガ突出操作は後側→後側の順に操作してください。前ジャッキ伸長後、後ジャッキ突出可能ランプが点灯すれば、後ジャッキの突出操作が可能となります。
- アウトリガ縮込操作は後側→前側の順に操作してください。後ジャッキ縮小後、前ジャッキの縮込操作が可能となります。

AT-100-5 42063543944 UPPER,LOWER,ISUZU 2RG-NKR88AN-EE5AHY-JD
 PN5011267-01 NAME PLATE ASSY (JACK HORIZONTAL)



AT-100TG-5の場合

ジャッキ自動水平張出

- 傾斜地ではジャッキが接地しても水平設置できていない場合があります。水準器を確認して個別操作で水平に修正してください。
- ジャッキが接地せずに終了した場合はストップランプが点滅します。そのときは個別操作でジャッキを接地させてください。ランプの点滅は、すべてのジャッキを接地させるか、格納することで消灯します。

AT-100-5 42063543944 UPPER,LOWER,ISUZU 2RG-NKR88AN-EE5AHY-JD

Pos No.	Parts No	Parts Name	Qty	Unit	Technical Data	Serial No (Start)	Serial No (End)	Remarks	Pages
1	42394453200	PLATE (NON-SLIP)	2						

AT-100-5 42063543944 UPPER,LOWER,ISUZU 2RG-NKR88AN-EE5AHY-JD

Pos No.	Parts No	Parts Name	Qty	Unit	Technical Data	Serial No
1	(*****)	NAME PLATE ASSY (VEHICLE HEIGHT,LOADINGCAPACITY,AIR)	1			
2	(*****)	PLATE ASSY,NAME (SMOOTHER-EX/PTO OPERATION)	1			
3	(*****)	NAME PLATE ASSY (TELEMATICS)	1			

AT-100-5 42063543944 UPPER,LOWER,ISUZU 2RG-NKR88AN-EE5AHY-JD

Pos No.	Parts No	Parts Name	Qty	Unit	Technical Data	Serial No (Start)	Serial No (End)	Remarks	Pages
1	34393906540	PLATE (NON-SLIP)	3						
2	42396801100	PLATE (NON-SLIP)	2						
3	42834921010	PLATE (NON-SLIP)	1						
4	42396863100	PLATE (NON-SLIP)	1						

AT-100-5 42063543944 UPPER,LOWER,ISUZU 2RG-NKR88AN-EE5AHY-JD

Pos No.	Parts No	Parts Name	Qty	Unit	Technical Data	Serial No (Start)	Serial No (End)
1	(*****)	OPE.ASSY,BUCKET	2				
2	(*****)	NAME PLATE ASSY (BUCKET CONTROL)	2				
3	(*****)	NAME PLATE ASSY (INSIDE BUCKET)	2				
4	(*****)	NAME PLATE ASSY (SAFETY BELT HOOK HOLDER)	2				

AT-100-5 42063543944 UPPER,LOWER,ISUZU 2RG-NKR88AN-EE5AHY-JD

Pos No.	Parts No	Parts Name	Qty	Unit	Technical Data	Serial No (Start)	Serial No (End)	Remarks
1	36625740001	VALVE,CHECK	2					
2	90171108055	BOLT	8		M8X55			
3	37000176340	PIN	2					
4	42614000060	PLATE	2		T=12			
5	90302041201	WASHER,SPRING	4		12			
6	90171112035	BOLT	4		M12X35			
7	90201781200	NUT	4		M12			
8	42614000080	SUPPORT	2					
9	90302040801	WASHER,SPRING	8		8			
10	90101208012	BOLT	8		M8X12			
11	42614520010	PLATE	2		T=5			
12	91803601200	CLIP	2		D=90-120			
13	80136380045	PIN,SPLIT	4		8X45			
14	42614520500	FLOAT (STEEL CAST)	2					
	42614520300	FLOAT (PLATE WORKING)	2					
15	90172110020	BOLT,HEXAGON SOCKET	4		M10X20			
16	36035840000	CYLINDER,JACK	2					
17	82108501250	SWITCH	2					
18	42615461000	OUTRIGGER ASSY	2					
19	42615000101	COVER	2					
20	82108501140	SWITCH	2					
21	42615000200	SUPPORT	2					
22	82100002006	CLAMP	2		WR10			
23	90101206020	BOLT	2		M6X20			
24	90302040601	WASHER,SPRING	6		6			
25	90201200600	NUT	2		M6			
26	90171116035	BOLT	2		M16X35			
27	90303070601	WASHER,PLAIN	6		6			
30	90171116060	BOLT	12		M16X60			
31	90303501601	WASHER,PLAIN	26		16			
32	90201781600	NUT	12		M6			
33	82401800100	PLUG (FOR M10)	9					
34	90172106012	BOLT,HEXAGON SOCKET	4		M6X12			
35	91810132530	FASTENER	4					
36	42615001100	STOPPER	4					
37	90101210018	BOLT	8		M10X18			
38	90303071001	WASHER,PLAIN	8		10			
39	90302041001	WASHER,SPRING	8		10			
40	90303070801	WASHER,PLAIN	4		8			
41	82100002007	CLAMP	2		WRC10			

AT-100-5 42063543944 UPPER,LOWER,ISUZU 2RG-NKR88AN-EE5AHY-JD

Pos No.	Parts No	Parts Name	Qty	Unit	Technical Data	Serial No (Start)	Serial No (End)
1	42508701010	PLATE,NAME (AC100V,FUSE,15A)	1				
2	42501481100	HOLDER ASSY(FUSE,WITH HARNESS)	2				
3	42654790300	BOX ASSY	1				
4	42477640090	PLATE,NAME (AC100V)	1				
5	90101208025	BOLT	2		M8X25		
6	91810130240	FASTENER	5				
7	90302040801	WASHER,SPRING	5		8		
8	90303070801	WASHER,PLAIN	2		8		
9	42504002100	SUPPORT	1				
10	90101208016	BOLT	3		M8X16		
11	82401601002	CLAMP	1				
12	82100000957	GROMMET	1		SG-38A		
32	82100001348	FUSE	2		15A,6.5X30		

**AT-100-5 42063543944 UPPER,LOWER,ISUZU 2RG-NKR88AN-EE5AHY-JD
PP5340035-00 POWER SUPPLY ASSY,ELECTRICITY**

パワーサブライASSY,エレキ (1.5KWインバータ+シヨウフ 100V+LED LAMP)
POWER SUPPLY ASSY,ELECTRICITY

1.5kwインバータ+上部100V電源取出+LEDランプ

指示番号 KEY NO.	部品名称 PART NAME	備考 REMARK
1	ランプ ASSY,ワーキング LAMP ASSY,WORKING	ハケット部 (100V 3極コンセント、アース付) (LEDランプ)
2	パワーサブライASSY,エレキ POWER SUPPLY ASSY,ELECTRICITY	下部 (インバータ)
3	パワーサブライASSY,エレキ POWER SUPPLY ASSY,ELECTRICITY	下部 (電源取出:3極コンセント、アース付)
4	モディフィケーション パーツ MODIFICATION PARTS	改造図

適用製造番号によっては取り付けがないものもあります。

MACHINES OF SOME SERIAL NO. ARE NOT EQUIPPED WITH THESE PARTS.

AT-100-5 42063543944 UPPER,LOWER,ISUZU 2RG-NKR88AN-EE5AHY-JD

Pos No.	Parts No	Parts Name	Qty	Unit	Technical Data	Serial No (Start)	Serial No (End)
1	42508701010	PLATE,NAME (AC100V,FUSE,15A)	1				
2	42515802100	CABLE ASSY	1				
3	42501481100	HOLDER ASSY(FUSE,WITH HARNESS)	2				
4	42500583020	PLATE,NAME	1				
5	91810130240	FASTENER	8				
6	82100002010	CLAMP	1		WR15		
7	90302040601	WASHER,SPRING	1		6		
8	90201200600	NUT	1		M6		
32	82100001348	FUSE	2		15A,6.5X30		

AT-100-5 42063543944 UPPER,LOWER,ISUZU 2RG-NKR88AN-EE5AHY-JD

Pos No.	Parts No	Parts Name	Qty	Unit	Technical Data	Serial No (Start)	Serial No (End)
3	80456950401	JOINT,SELF SEALING (COUPLER)	1				
4	91002802900	O-RING	3		1B P29		
5	44340011200	JOINT	2		PF1		
6	37002510560	HOSE	1		L=620		
7	91803600400	CLIP	8		D=27-40		
8	36672280000	FILTER,OIL (YAMASHIN)	1				
9	80302090241	FITTING	1		KCO18-040N		
10	91002801800	O-RING	2		1B P18		
11	36625240000	VALVE,CHECK (MORIKAWA GAUGE)	1				
	36625250000	VALVE,CHECK (UZUMAKI)	1				
12	80305030055	FITTING,TEE	1		KTN12-020N		
13	91002801400	O-RING	2		1B P14		
14	80400160131	JOINT	1				
15	37002438980	HOSE	1		L=670		
16	37002500150	HOSE	1		L=700		
17	81408000160	PIPE,STEEL	1	M	12X1.4T		
18	37002504550	HOSE	1		L=250		
19	91803600300	CLIP	4		D=22-30		
20	90101208020	BOLT	4		M8X20		
21	90302040801	WASHER,SPRING	4		8		
22	42648030200	FITTING,FLANGE	1				
23	91001204500	O-RING	1		1A G45		
24	42648030100	JOINT	1		PF3/8:19		
29	80303130141	FITTING,ELBOW	1		KLO12-020E		
32	80302201203	JOINT	1				
41	80307040020	JOINT,SOCKET	1				
51	91002801100	O-RING	1		1B P11		

AT-100-5 42063543944 UPPER,LOWER,ISUZU 2RG-NKR88AN-EE5AHY-JD

Pos No.	Parts No	Parts Name	Qty	Unit	Technical Data	Serial No (Start)	Serial No (End)	Remarks
1	42973522020	SENSOR (BACK,STD SET)	1					
6	42970741570	CABLE	1		12M			

AT-100-5 42063543944 UPPER,LOWER,ISUZU 2RG-NKR88AN-EE5AHY-JD

Pos No.	Parts No	Parts Name	Qty	Unit	Technical Data	Serial No (Start)	Serial No (End)	Remarks
1	42974270100	SUPPORT	1					
2	42974270200	PLATE,SLIDE	1					
3	90172108012	BOLT,HEXAGON SOCKET	3		M8X12			

AT-100-5 42063543944 UPPER,LOWER,ISUZU 2RG-NKR88AN-EE5AHY-JD

Pos No.	Parts No	Parts Name	Qty	Unit	Technical Data	Serial No (Start)	Serial No (End)	Remarks	Pages
1	42974790101	SUPPORT	1						
2	90201200800	NUT	1		M8				
3	37000547660	PLATE	1		T=2.3				

AT-100-5 42063543944 UPPER,LOWER,ISUZU 2RG-NKR88AN-EE5AHY-JD

Pos No.	Parts No	Parts Name	Qty	Unit	Technical Data	Serial No (Start)	Serial No (End)
3	82105220286	SWITCH,TOGGLE	4				
100	42512431300	SWITCH ASSY (WITH HARNESS,4 SW)	1				

AT-100-5 42063543944 UPPER,LOWER,ISUZU 2RG-NKR88AN-EE5AHY-JD

Pos No.	Parts No	Parts Name	Qty	Unit	Technical Data	Serial No (Start)	Serial No (End)	Rema
1	(*****)	ELEC.ASSY	1					
3	(*****)	MODIFICATION ASSY	1					
5	(*****)	ELEC.ASSY (CHANGEOVER SW)	1					

AT-100-5 42063543944 UPPER,LOWER,ISUZU 2RG-NKR88AN-EE5AHY-JD

Pos No.	Parts No	Parts Name	Qty	Unit	Technical Data	Serial No (Start)	Serial No (End)	Remarks	Pages
1	42503380000	CABLE (3 POLE)	1						

AT-100-5 42063543944 UPPER,LOWER,ISUZU 2RG-NKR88AN-EE5AHY-JD

Pos No.	Parts No	Parts Name	Qty	Unit	Technical Data	Serial No (Start)	Serial No (End)	Remarks
1	90101208016	BOLT	2		M8X16			
2	90302040801	WASHER,SPRING	2		8			
3	36630910062	NEEDLE	1					
4	36630910031	HOLDER	1					
5	91002801000	O-RING	1		1B P10			
6	91410001000	RING,BACKUP	1		P10			
7	36636340010	BODY	1					
8	52255101000	SPRING	1					
9	36630910050	POPPET	1					
10	91002801400	O-RING	1		1B P14			
11	36620030050	PLUG	1					
12	82400000350	KNOB	1					
13	37000508510	PLATE	1					
14	80172303006	SCREW,MACHINE	1		M3X6			
15	91002800800	O-RING	1		1B P8			
100	36636340001	VALVE ASSY,SELECTOR	1					

AT-100-5 42063543944 UPPER,LOWER,ISUZU 2RG-NKR88AN-EE5AHY-JD

Pos No.	Parts No	Parts Name	Qty	Unit	Technical Data	Serial No (Start)	Serial No (End)	Remarks	Pages
1	42470342000	MAT	1						

AT-100-5 42063543944 UPPER,LOWER,ISUZU 2RG-NKR88AN-EE5AHY-JD

Pos No.	Parts No	Parts Name	Qty	Unit	Technical Data	Serial No (Start)	Serial No (End)	Remarks	Pages
1	42501680100	BOX,TOOL	1						
2	42501680200	PLATE	1						
3	90183112025	BOLT	3		M12X25				

AT-100-5 42063543944 UPPER,LOWER,ISUZU 2RG-NKR88AN-EE5AHY-JD

Pos No.	Parts No	Parts Name	Qty	Unit	Technical Data	Serial N
1	(*****)	EARTH ASSY	1			
2	(*****)	MOUNT ASSY, GUARD	1			
3	(*****)	MOUNT ASSY, STEP (GUIDE TYPE JACK)	1			
4	(*****)	MOUNT ASSY, TOOL BOX (CENTRAL LOCK/HINO, TOYOTA)	1			
	(*****)	MOUNT ASSY, TOOL BOX (CENTRAL LOCK/ISUZUTPG OR LATER)	1			
	(*****)	MOUNT ASSY, TOOL BOX (WITHOUT CENTRAL LOCKING)	1			

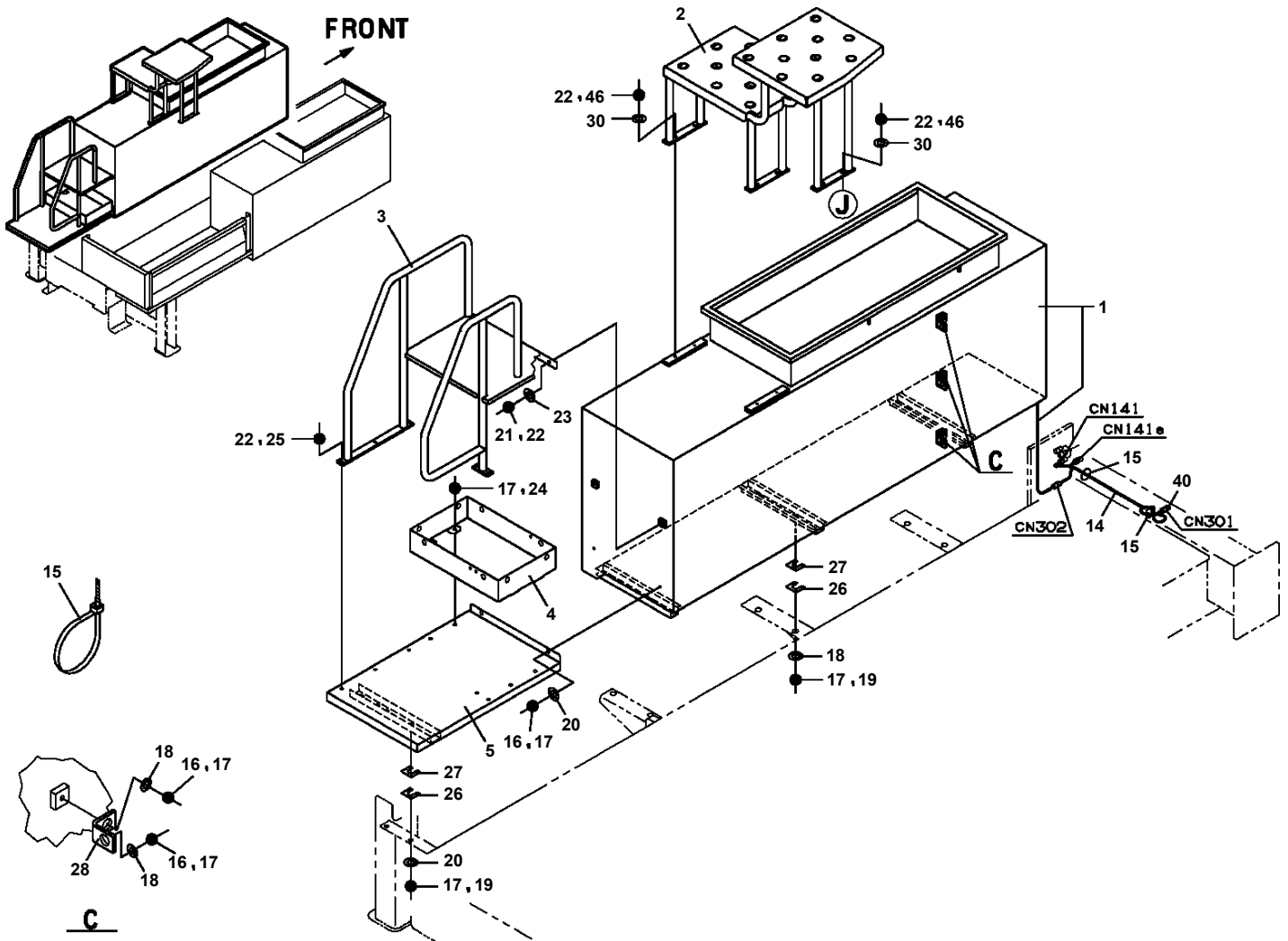
AT-100-5 42063543944 UPPER,LOWER,ISUZU 2RG-NKR88AN-EE5AHY-JD

Pos No.	Parts No	Parts Name	Qty	Unit	Technical Data	Serial No (Start)	Serial No (End)	Remarks	Pages
1	42865760200	SPACER	2						
2	42866600100	SUPPORT	1				HK2612		
	42866600101	SUPPORT	1			HK2613			
3	90171116070	BOLT	6		M16X70				
4	90270401600	NUT	6		16				
5	90303501601	WASHER,PLAIN	12		16				
6	42866580100	SUPPORT	1						
7	42864680200	SUPPORT	2						
8	42865250302	SUPPORT	2						
9	42864690010	PLATE	N		T=0.5				
10	42865820020	SUPPORT	N		T=1.0				
12	37002701590	CABLE ASSY	1		30B,L=280				
13	90201200800	NUT	1		M8				
14	90302040801	WASHER,SPRING	1		8				
15	90101208016	BOLT	1		M8X16				
16	37000535420	PLATE	2						
17	37000526060	PLATE	2						

AT-100-5 42063543944 UPPER,LOWER,ISUZU 2RG-NKR88AN-EE5AHY-JD

Pos No.	Parts No	Parts Name	Qty	Unit	Technical Data	Serial No (Start)	Serial No (End)	Remarks	Pages
1	42811960100	SUPPORT	1						
2	90101210018	BOLT	2		M10X18				
3	90302041001	WASHER,SPRING	10		10				
4	90303071001	WASHER,PLAIN	5		10				
5	90101208020	BOLT	2		M8X20				
6	90302040801	WASHER,SPRING	2		8				
7	37000553000	PLATE	2						
8	90201200800	NUT	2		M8				
9	90101210016	BOLT	3		M10X16				
10	42508730030	SUPPORT	1						
11	90201201000	NUT	3		M10				
12	90101210035	BOLT	3		M10X35				
13	90101210014	BOLT	2		M10X14				
14	42812230102	STEP	1						

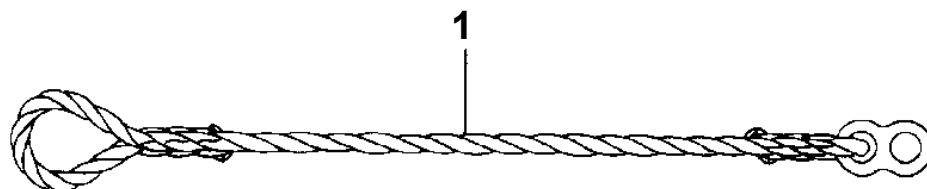
**AT-100-5 42063543944 UPPER,LOWER,ISUZU 2RG-NKR88AN-EE5AHY-JD
PX5780196-01 MOUNT ASSY,TOOL BOX (WITHOUT CENTRAL LOCKING)**



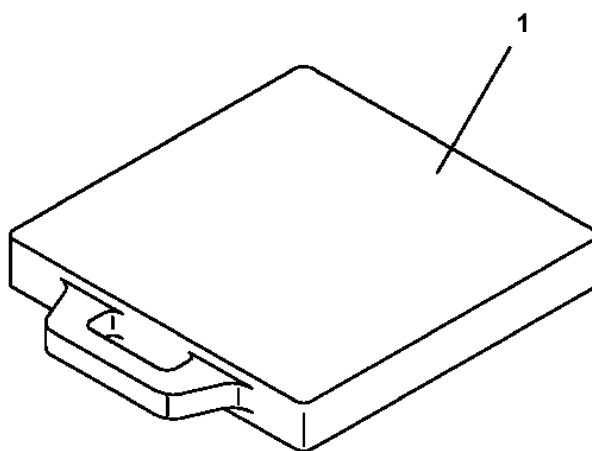
AT-100-5 42063543944 UPPER,LOWER,ISUZU 2RG-NKR88AN-EE5AHY-JD

Pos No.	Parts No	Parts Name	Qty	Unit	Technical Data	Serial No (Start)	Serial No (End)	Remarks	Pages
1	42974491000	BOX,TOOL	1						000030
2	42974490100	PLATE	1						
3	90101208014	BOLT	2		M8X14				
4	90303070801	WASHER,PLAIN	2		8				
5	90302040801	WASHER,SPRING	2		8				

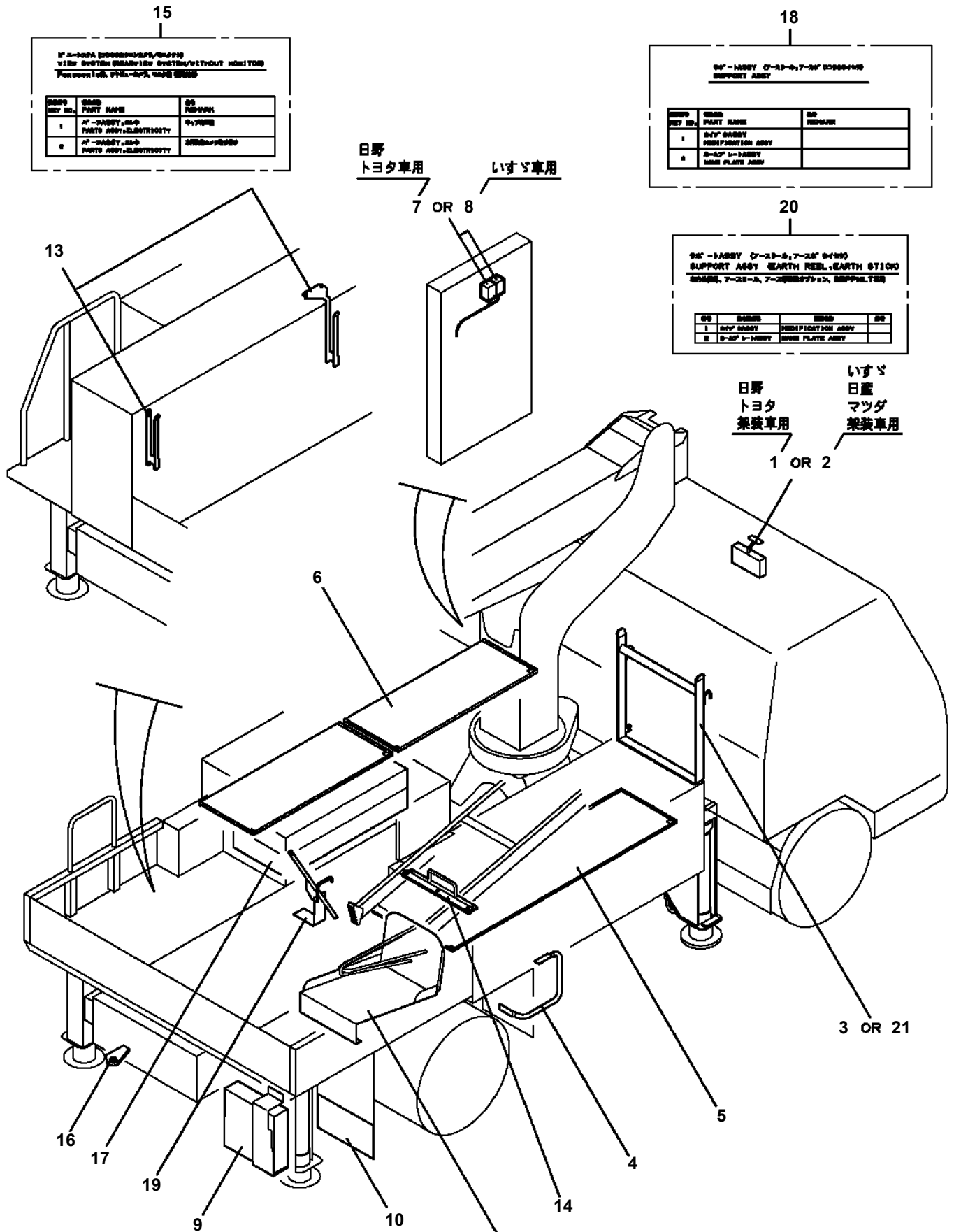
**AT-100-5 42063543944 UPPER,LOWER,ISUZU 2RG-NKR88AN-EE5AHY-JD
PY1070000-00 ROPE (SAFETY,YELLOW:TD-TYPE)**



AT-100-5 42063543944 UPPER,LOWER,ISUZU 2RG-NKR88AN-EE5AHY-JD
PY1930005-00 BLOCK,RUBBER (NAKAMURA)



AT-100-5 42063543944 UPPER,LOWER,ISUZU 2RG-NKR88AN-EE5AHY-JD
 PY400063-05 OPTION UNIT,1 (LOWER)



適用製造番号によっては取り付けがないものもあります。

MACHINES OF SOME SERIAL NO. ARE NOT EQUIPPED WITH THESE PARTS.

AT-100-5 42063543944 UPPER,LOWER,ISUZU 2RG-NKR88AN-EE5AHY-JD

Pos No.	Parts No	Parts Name	Qty	Unit	Technical Data	Serial No (Start)	Serial No (End)	Remarks	Pages
1	42502153100	SUPPORT	2						

AT-100-5 42063543944 UPPER,LOWER,ISUZU 2RG-NKR88AN-EE5AHY-JD

Pos No.	Parts No	Parts Name	Qty	Unit	Technical Data	Serial No (Start)	Serial No (End)
1	(*****)	PARTS ASSY,ELECTRICITY (WIRING IN CAB)	1				
2	(*****)	PARTS ASSY,ELECTRICITY (CAMERA)	1				

CLICK HERE TO **DOWNLOAD** THE COMPLETE MANUAL

- Thank you very much for reading the preview of the manual.
- You can download the complete manual from: www.heydownloads.com by clicking the link below



- Please note: If there is no response to CLICKING the link, please download this PDF first and then click on it.

CLICK HERE TO **DOWNLOAD** THE COMPLETE MANUAL