

AT-100-5 42063540901 UPPER,LOWER,ISUZU TPG-NKR85AN-EE5AHY

PB0000275-02 UPPER STRUCTURE SYSTEM

PB0000500-02 LOWER STRUCTURE SYSTEM

ASSEMBLY

CLICK HERE TO **DOWNLOAD** THE COMPLETE MANUAL

- Thank you very much for reading the preview of the manual.
- You can download the complete manual from: www.heydownloads.com by clicking the link below



- Please note: If there is no response to CLICKING the link, please download this PDF first and then click on it.

CLICK HERE TO **DOWNLOAD** THE COMPLETE MANUAL

AT-100-5 42063540901 UPPER,LOWER,ISUZU TPG-NKR85AN-EE5AHY

PO5050050-00 OPE.ASSY,BUCKET
PO5050070-00 OPE.ASSY,BUCKET (WITH 3-AXIS ENABLE SW/IRON PANEL)
PO5050071-00 OPE.ASSY,BUCKET
PO5080088-02 OPE.ASSY,CONT.VALVE
PO5270125-00 OUTRIGGER ASSY (VERTICAL JACK)
PO5270161-00 OUTRIGGER ASSY
PO5270162-00 OUTRIGGER ASSY
PO5270219-00 OUTRIGGER ASSY (VERTICAL JACK)
PO5270220-00 OUTRIGGER ASSY
PP5330009-00 POWER SUPPLY ASSY (HYBRID SYSTEM)
PP5330015-00 POWER SUPPLY ASSY (HYBRID SYSTEM,3 MODE,WITH FAN)
PP5330018-00 POWER SUPPLY ASSY (HYBRID SYSTEM,3 MODE,WITH FAN)
PP5330024-00 POWER SUPPLY ASSY (HYBRID SYSTEM,3 MODE,WITH FAN)
PP5340009-01 POWER SUPPLY ASSY,ELECTRICITY (LOWER,2POLES OUTLET)
PP5340013-00 POWER SUPPLY ASSY,ELECTRICITY (HYBRID/2-POLES OUTLET)
PP5340019-00 POWER SUPPLY ASSY,ELECTRICITY (BUCKET/100V 3POLES)
PP5340024-00 POWER SUPPLY ASSY,ELECTRICITY (LOWER,3POLES OUTLET)
PP5340025-00 POWER SUPPLY ASSY,ELECTRICITY (HYBRID/3-POLES OUTLET)
PP5340034-00 POWER SUPPLY ASSY,ELECTRICITY (LOWER,3POLES OUTLET)
PP5340036-00 POWER SUPPLY ASSY,ELECTRICITY (LOWER,3POLES OUTLET)
PP5420012-02 PUMP ASSY,OIL
PP5450004-00 PUMP,GREASE (400CC)
PP6010236-01 PIPING ASSY
PP6010255-01 PIPING ASSY
PP6060007-01 PIPING ASSY,BOOM
PP6130021-00 PIPING ASSY,FRAME
PP6130040-00 PIPING ASSY,FRAME
PP6210016-03 PIPING ASSY,MOUNTING
PP6330005-03 PIPING ASSY,SWING FRAME
PR5090141-01 RELAY ASSY
PR5090142-00 RELAY ASSY
PR5100062-00 RELAY BOX ASSY
PR5210001-00 RELAY (WITH HARNESS)
PR5210002-00 RELAY
PR5210003-00 RELAY
PS5420229-00 SUPPORT ASSY (2-DECK TOOL BOX: FIXED LADDER REST)
PS5420230-00 SUPPORT ASSY (1-DECK TOOL BOX: FIXED LADDER REST)
PS5420231-00 SUPPORT ASSY (1&2-DECK TOOL BOX: LOWER SHELF,ONE SIDE)
PS5420232-00 SUPPORT ASSY (HOOK FOR CARRIER ROPE)
PS5420266-00 SUPPORT ASSY (1-DECKER:ROTARY RADDER REST)
PS5420267-00 SUPPORT ASSY (2-DECKER:ROTARY RADDER REST)
PS5420300-00 SUPPORT ASSY
PS5420353-00 SUPPORT ASSY
PS5420363-00 SUPPORT ASSY
PS5420387-00 SUPPORT ASSY
PS5420400-00 SUPPORT ASSY
PS5420481-00 SUPPORT ASSY
PS5420505-00 SUPPORT ASSY
PS5420508-00 SUPPORT ASSY (DANKITI BUFFER,25MM)
PS5420509-00 SUPPORT ASSY (DANKITI BUFFER,30MM)
PS5510021-00 SWING FRAME ASSY
PS5530090-01 SWITCH ASSY (WITH HARNESS,3 SW)
PS5530132-00 SWITCH ASSY (WITH HARNESS,3 SW)
PS5530172-00 SWITCH ASSY
PS5530176-00 SWITCH ASSY
PS5530195-00 SWITCH ASSY
PS5530260-00 SWITCH ASSY
PS5530411-00 SWITCH ASSY
PS5530412-00 SWITCH ASSY
PS5530450-00 SWITCH ASSY
PS5550005-00 SUPPORT (7 DEGREES ANGLE METER MOUNTING)
PT5090008-00 TANK ASSY,OIL
PV1300019-00 CABLE
PV1300020-00 CABLE (3 POLE)

AT-100-5 42063540901 UPPER,LOWER,ISUZU TPG-NKR85AN-EE5AHY

Pos No.	Parts No	Parts Name	Qty	Unit	Technical Data	Serial No (Start)	Serial No (End)	Remarks
1	36654115010	MOTOR ASSY	1					
3	36652625020	CAP (TERMINAL)	1					
5	36654115030	BOLT,HEXAGON SOCKET	2		M8X40			
6	36654205020	WASHER	2					
7	36654205030	NUT	2					
8	36652025040	O-RING	1		S55			
9	36652625030	VALVE,CHECK	1					
10	36652625040	PUMP ASSY	1					
12	44550417800	WASHER,SPRING (M8)	2					
20	36654115040	CABLE ASSY	1					
27	36652665060	O-RING	1		P8			
29	36652665050	O-RING	1		P14			
33	19215105160	SEAL,OIL	1					
34	36652665020	RING,RETAINING	1					
41	36654115020	CONTACTOR	1					
100	36654110000	PUMP,HYDRAULIC	1					

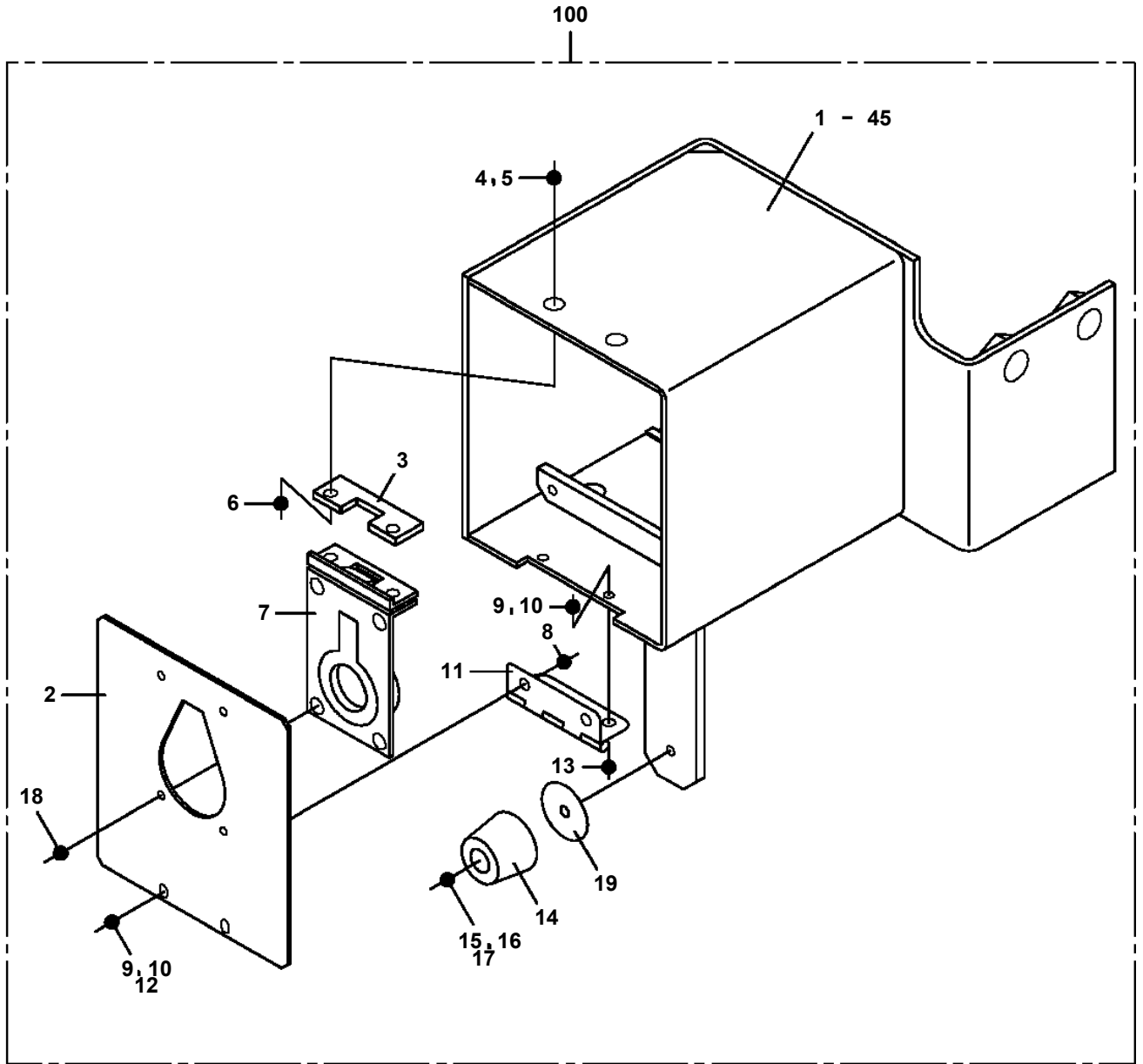
AT-100-5 42063540901 UPPER,LOWER,ISUZU TPG-NKR85AN-EE5AHY

Pos No.	Parts No	Parts Name	Qty	Unit	Technical Data	Serial No (Start)	Serial No (End)	Remarks	P
1	82119434100	CONNECTOR	1						
2	42356280010	HARNESS	1						
3	91810130240	FASTENER	5						
4	42477640080	PLATE,NAME	1						
5	42350250070	PLUG (2 POLES,MALE)	1						
6	80175304016	SCREW,MACHINE	2		M4X16				

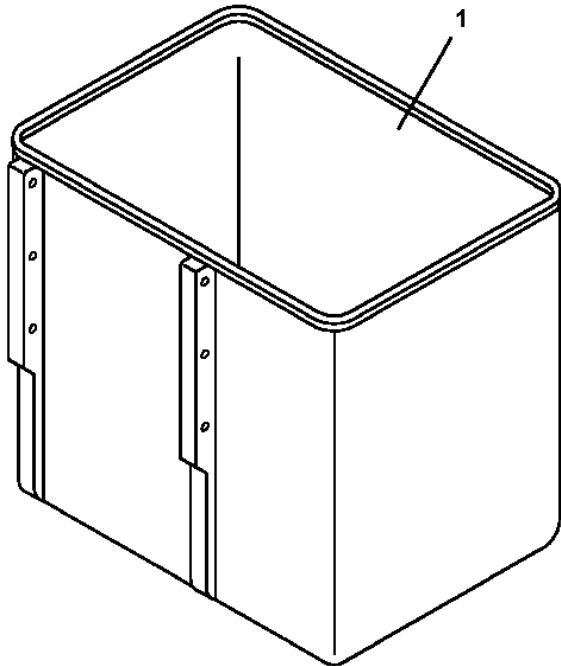
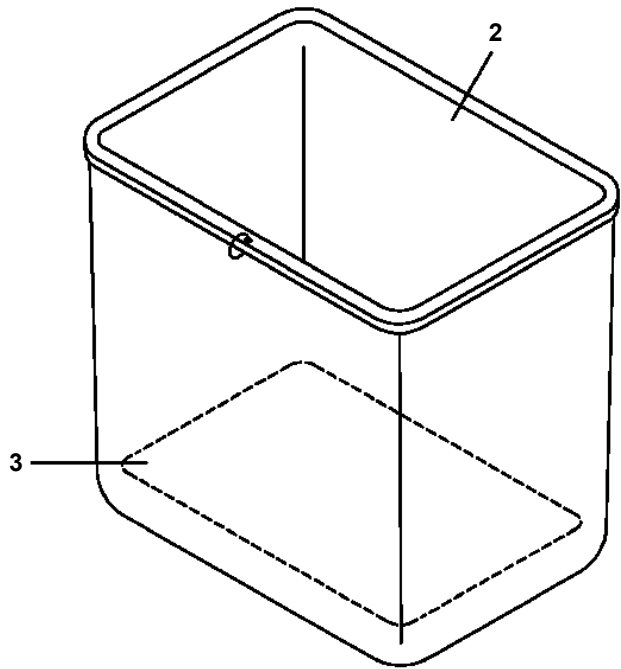
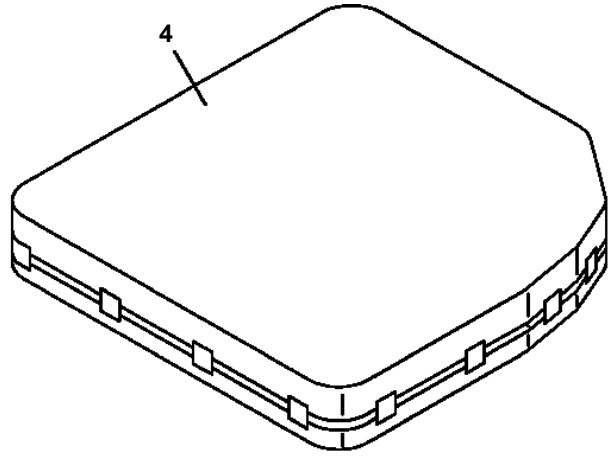
AT-100-5 42063540901 UPPER,LOWER,ISUZU TPG-NKR85AN-EE5AHY

Pos No.	Parts No	Parts Name	Qty	Unit	Technical Data	Serial No (Start)	Serial No (End)	Re
1	42203049510	BOOM,BASE	1					
2	42203042100	BOOM,2ND	1					
3	42203043000	BOOM, TOP	1					
5	42200484100	PLATE	N		T=0.8			
6	42200810020	PIN	1					
7	42202400010	SUPPORT	1					
8	42202400060	ROLLER	2					
9	42202400070	PLATE	2					
10	42203050010	PLATE	2		T=2.3			
11	42202400090	PLATE	N		T=0.5			
12	42202400120	PLATE	4		T=3.2			
13	42202400130	PLATE	N		T=0.5			
14	42202400140	PLATE	12		T=0.8			
15	42202400160	PLATE	N		T=0.8			
17	42202980200	SHEAVE ASSY	1					
18	31630302000	PLATE	N		T=1.5			
19	31631222000	CAP	4					
20	37000112420	PIN	2					
21	37000136510	PIN	4					
22	37000136530	PIN	2					
23	37000155030	PIN	2					
24	37000181820	PIN	1					
25	37000187050	PIN	1					
26	37000187080	PIN	2					
27	37000401810	BEARING,PLAIN	2					
28	37000558530	PLATE	1		T=9			
29	37000573190	PLATE	N		T=1.0			
31	37000584990	PLATE	N		T=0.8			
32	37001924240	ROPE,WIRE (J-WITEX)	2		8X6.21M			
	37001924210	ROPE,WIRE (TESAC)	2		8X6.21M			
33	37001924220	ROPE,WIRE (TESAC)	2		7X3.36M			
	37001924270	ROPE,WIRE (J-WITEX) 7X3.36M>	2					
34	37002016220	PLATE,SLIDE	2		T=12		HK1784	
	37002018500	PLATE,SLIDE	2			HK1785		
35	37002018260	PLATE,SLIDE	2					
36	37002020370	PLATE,SLIDE	2		T=15			
38	37002018510	PLATE,SLIDE	4					
39	37002018540	PLATE,SLIDE	4				HK1784	
	37002005260	PLATE,SLIDE	4			HK1785		
40	37002018970	PLATE,SLIDE	4		T=10			
41	37002018980	PLATE,SLIDE	2		T=12			
42	37002020030	PLATE,SLIDE	2		T=25			
43	37010101720	PIN	1					
44	80136363056	PIN,SPLIT	1		6.3X56			
45	80184306012	SCREW,MACHINE	6		M6X12			
46	80601110200	RING,RITAINING	6		S20			
47	80602110300	RING,RITAINING	7		R30			
48	80801003025	BEARING,PLAIN	1					
49	82455106000	NIPPLE,GREASE	4		A-M6F FE			
51	90171108020	BOLT	12		M8X20			
52	90171110022	BOLT	4		M10X22			
53	90171110025	BOLT	12		M10X25			
54	90171208030	BOLT	8		M8X30			
55	90172110020	BOLT,HEXAGON SOCKET	2		M10X20			
56	90202481200	NUT	8		M12			
57	90238403008	NUT,CASTLE	1		M30X2			
59	90302040801	WASHER,SPRING	20		8			
60	90302041001	WASHER,SPRING	14		10			
61	90303071001	WASHER,PLAIN	12		10			
62	90303073001	WASHER,PLAIN	1		30			
63	90171110020	BOLT	4		M10X20			
64	37002018480	PLATE,SLIDE	2					
65	37000584970	PLATE	N		T=0.8			

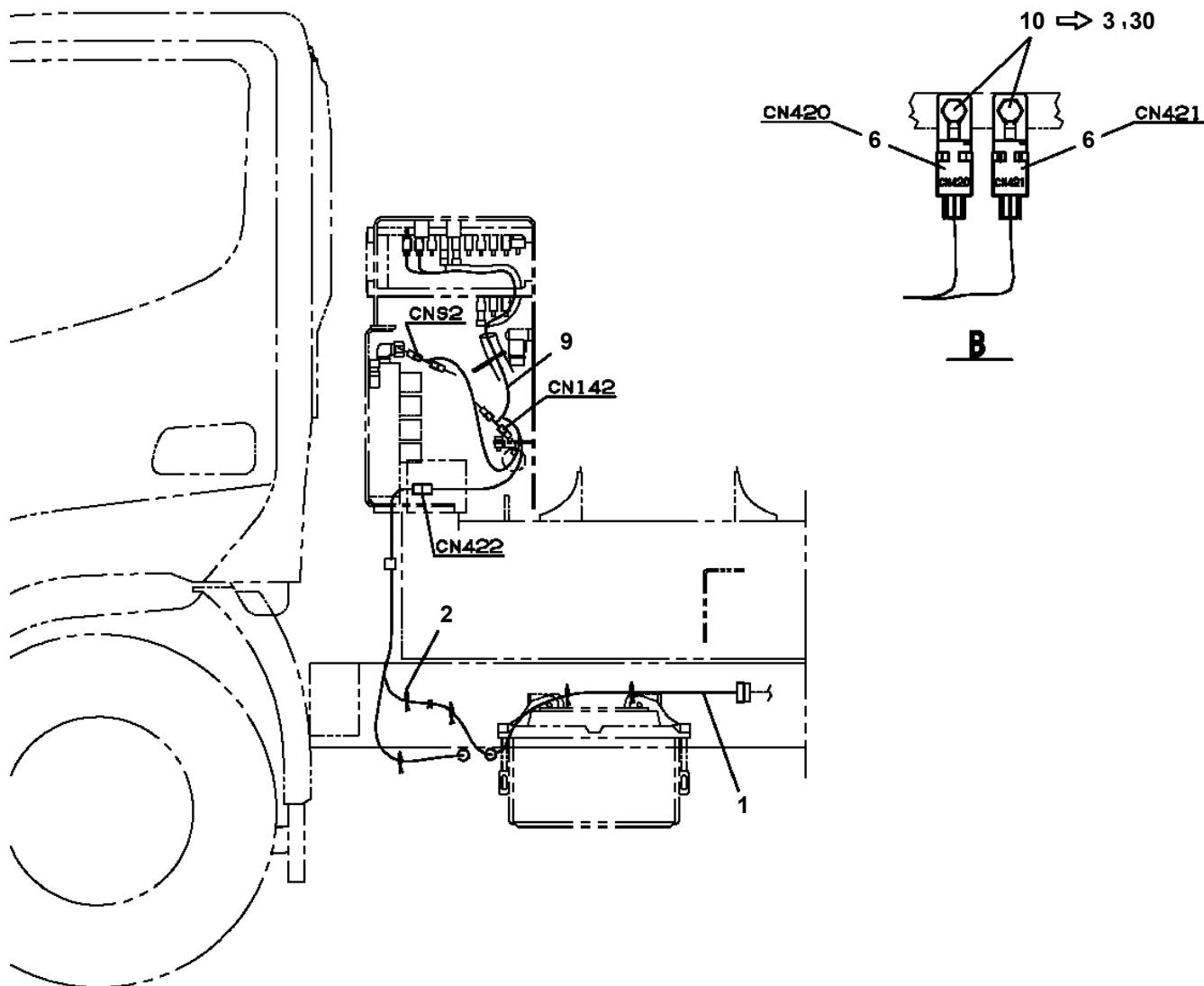
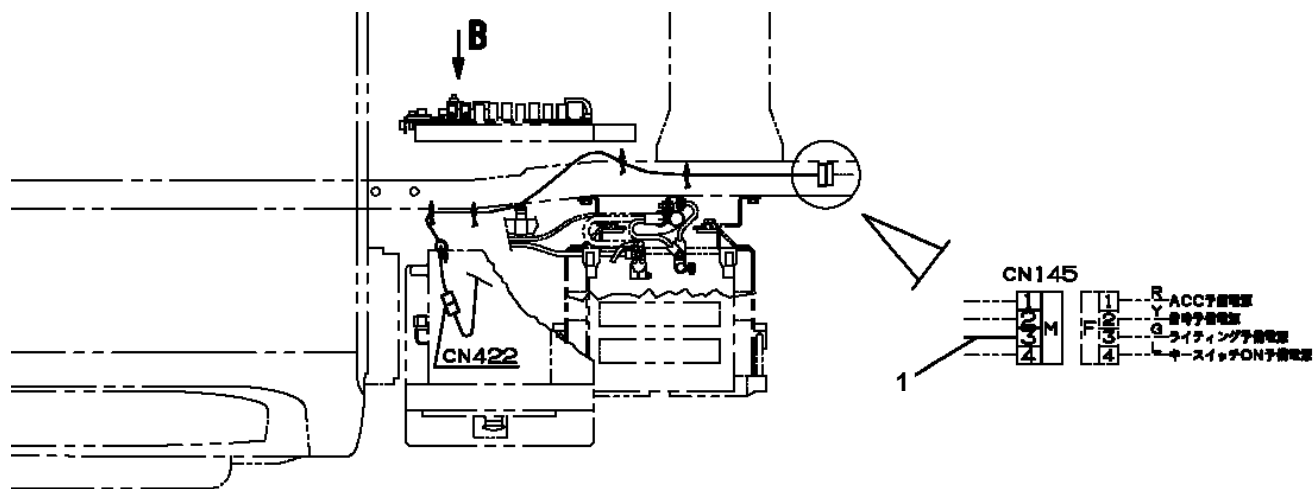
AT-100-5 42063540901 UPPER,LOWER,ISUZU TPG-NKR85AN-EE5AHY
PB5260063-01 BOX ASSY



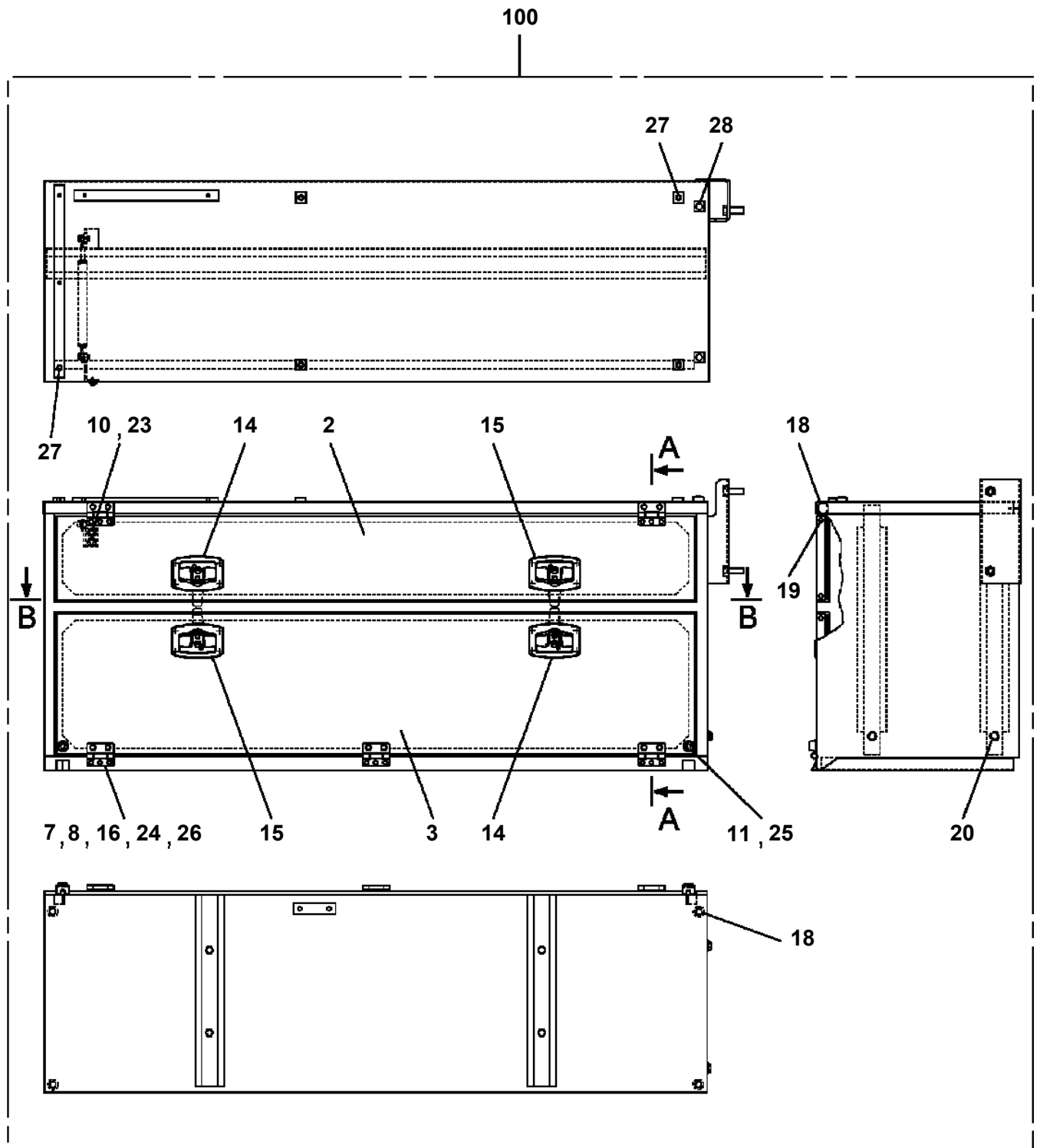
**AT-100-5 42063540901 UPPER,LOWER,ISUZU TPG-NKR85AN-EE5AHY
PB5350013-00 BUCKET ASSY (DI BUCKET/WHITE,WITH INNERCASE)**



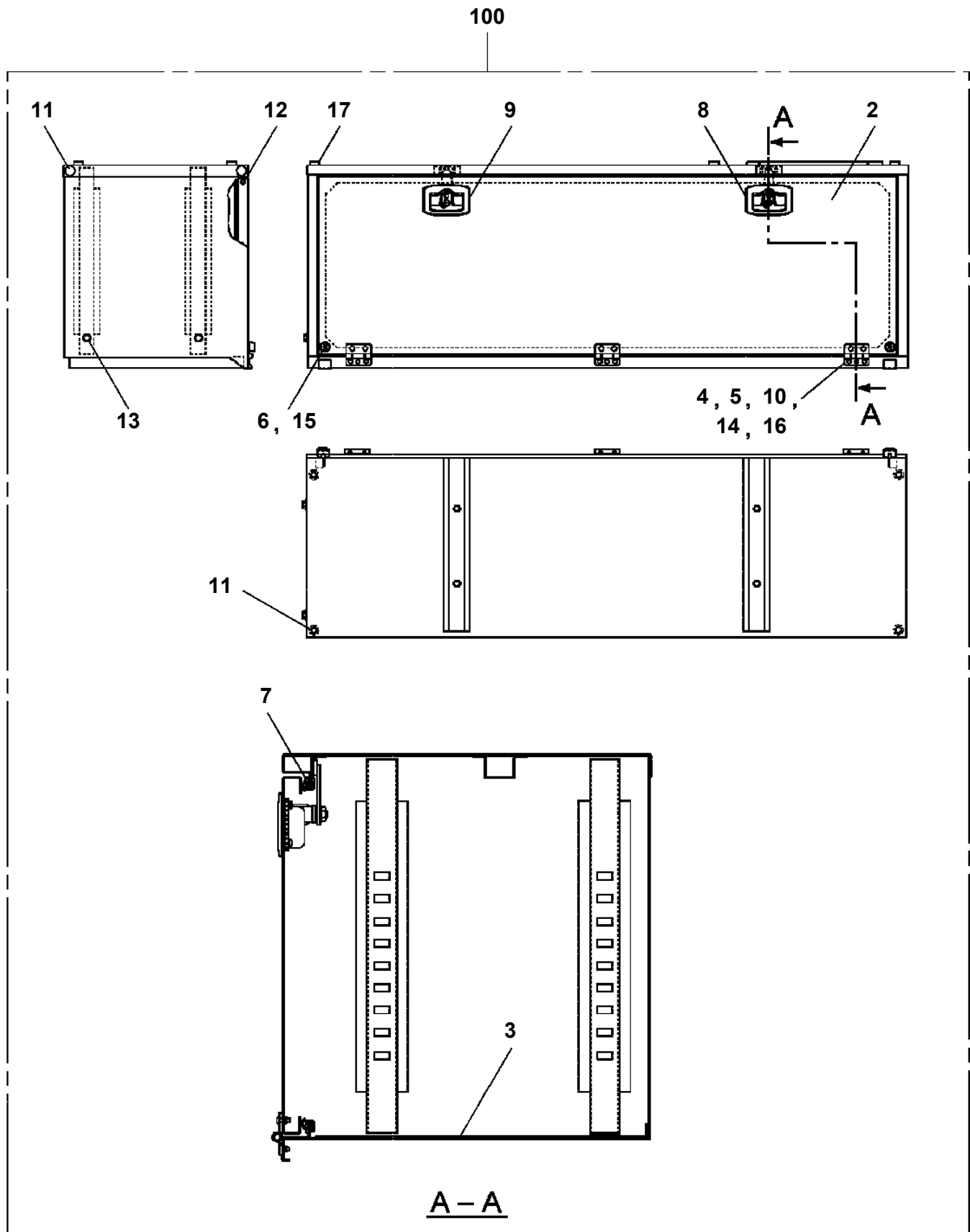
**AT-100-5 42063540901 UPPER,LOWER,ISUZU TPG-NKR85AN-EE5AHY
PB5390004-00 BUZZER ASSY (JACK CONTROL ALARM)**



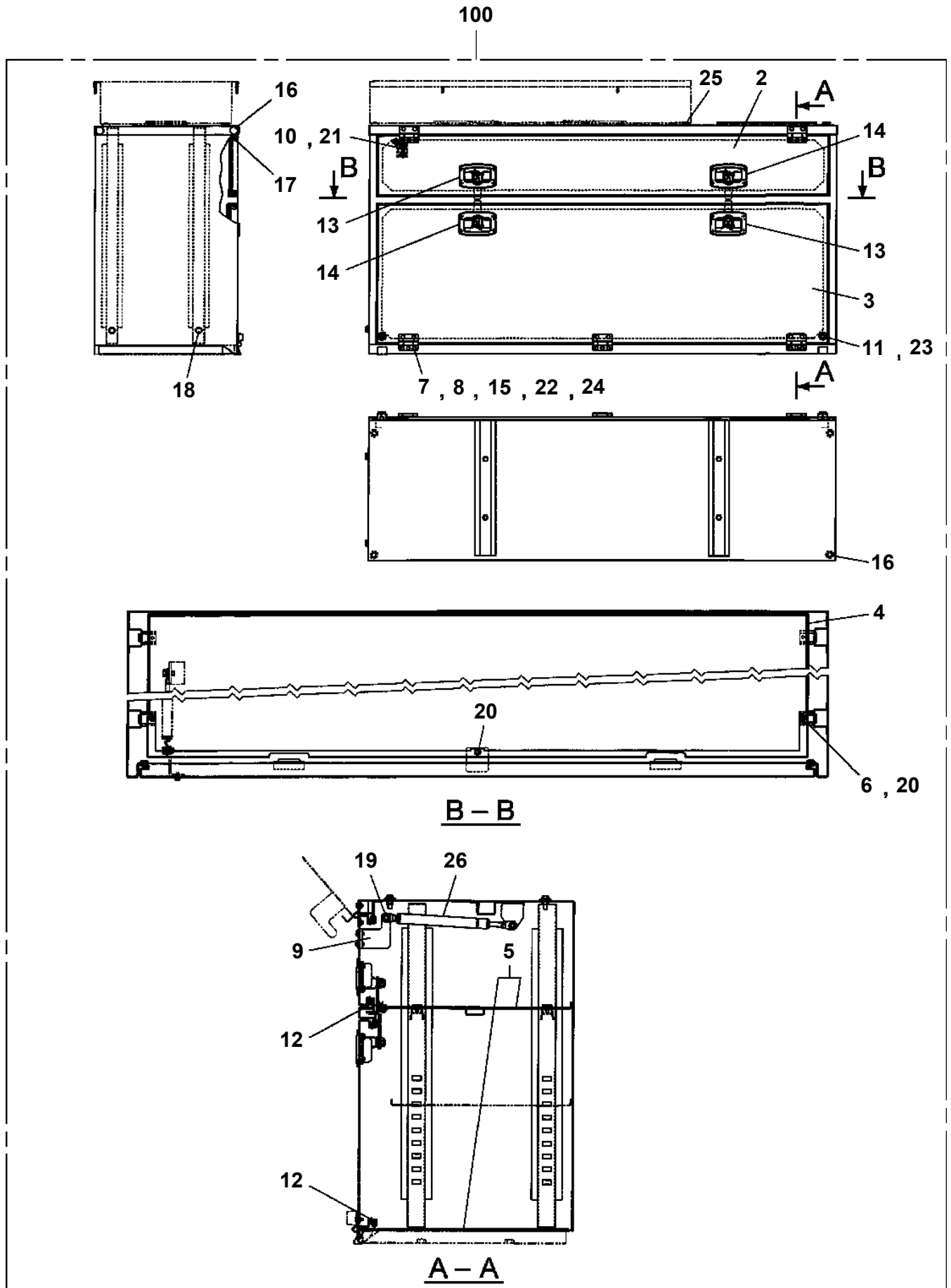
AT-100-5 42063540901 UPPER,LOWER,ISUZU TPG-NKR85AN-EE5AHY
PB5410073-00 BOX,TOOL



AT-100-5 42063540901 UPPER,LOWER,ISUZU TPG-NKR85AN-EE5AHY
PB5410111-00 BOX,TOOL



AT-100-5 42063540901 UPPER,LOWER,ISUZU TPG-NKR85AN-EE5AHY
PB5410161-00 BOX,TOOL

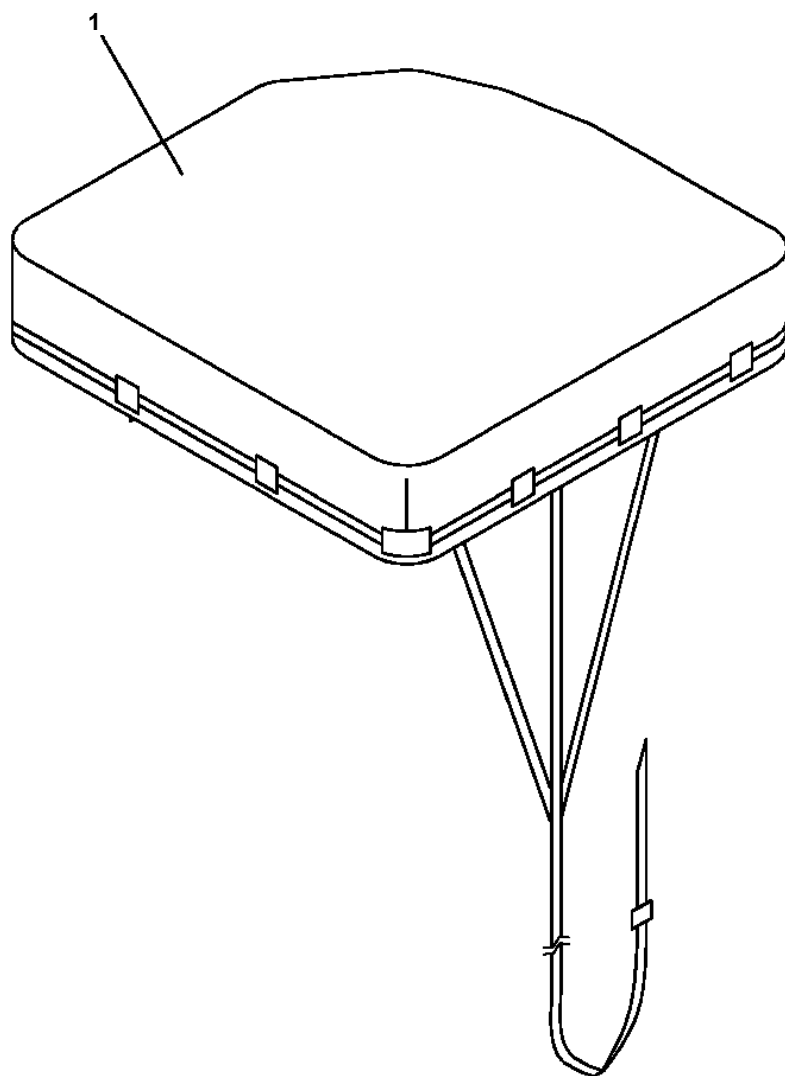


**AT-100-5 42063540901 UPPER,LOWER,ISUZU TPG-NKR85AN-EE5AHY
PC5390008-00 CONTROL ASSY,OUTRIGGER (J/HORIZONTAL+GRADIENT WARNIN**

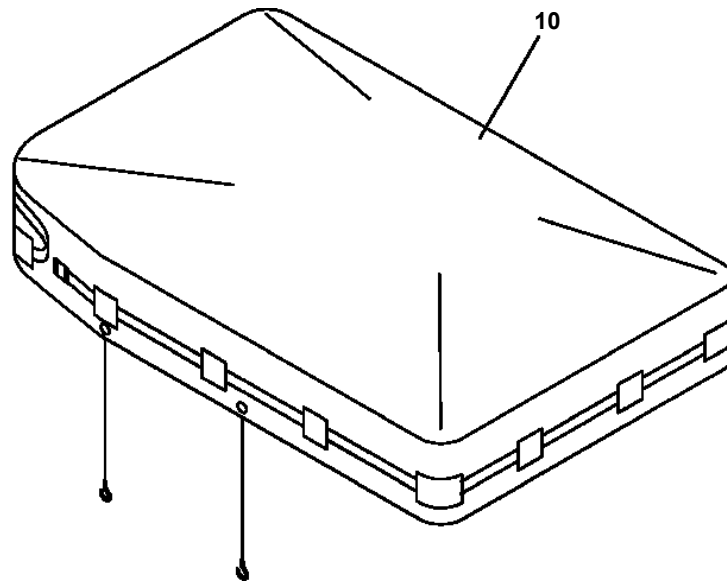
コントロールASSY,アウトリガ (ジャッキシフトウスイハイ+ケイシヤチケイホウ)
CONTROL ASSY,OUTRIGGER (JACK HORIZONTAL+GRADIENT WARNING)

指示番号 KEY NO.	部品名称 PART NAME	備考 REMARK
1	ハイセンASSY ELEC.ASSY	傾斜計及び傾斜地警報用配線
4	ハイカンASSY PIPING ASSY	ジャッキ絞リ追加

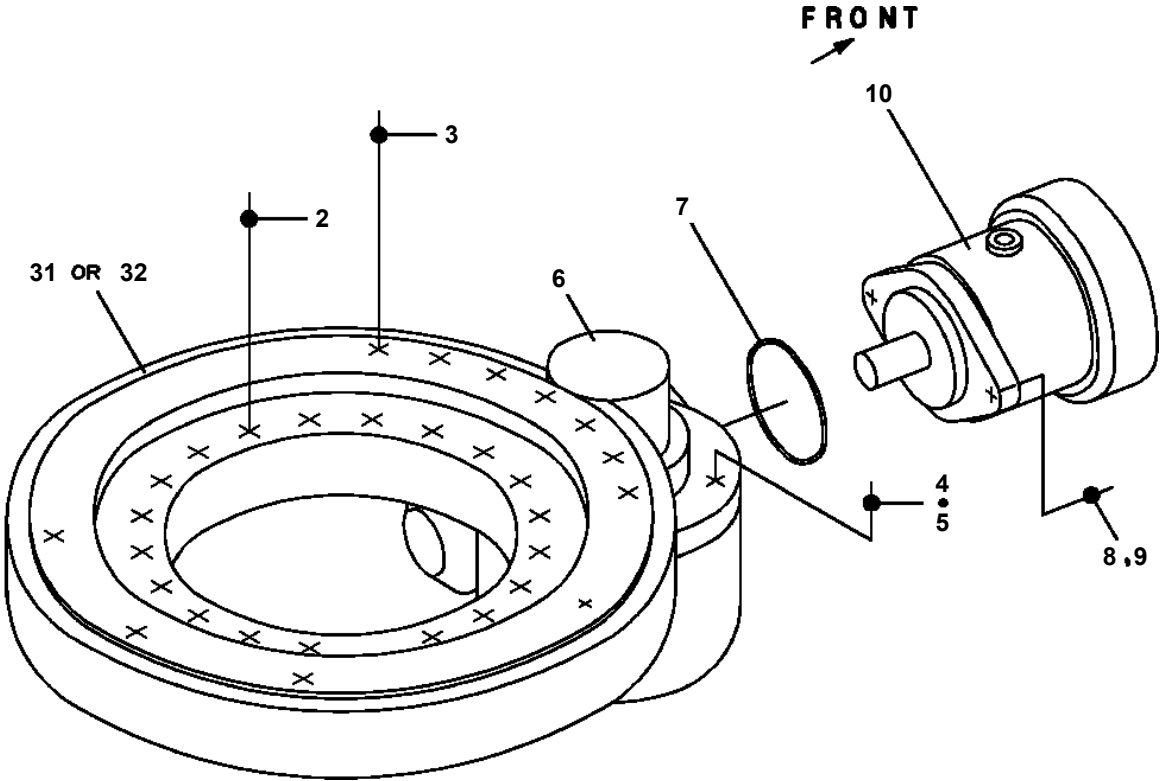
**AT-100-5 42063540901 UPPER,LOWER,ISUZU TPG-NKR85AN-EE5AHY
PC5570096-00 COVER ASSY (BUCKET/CLOTH:WHITE)**



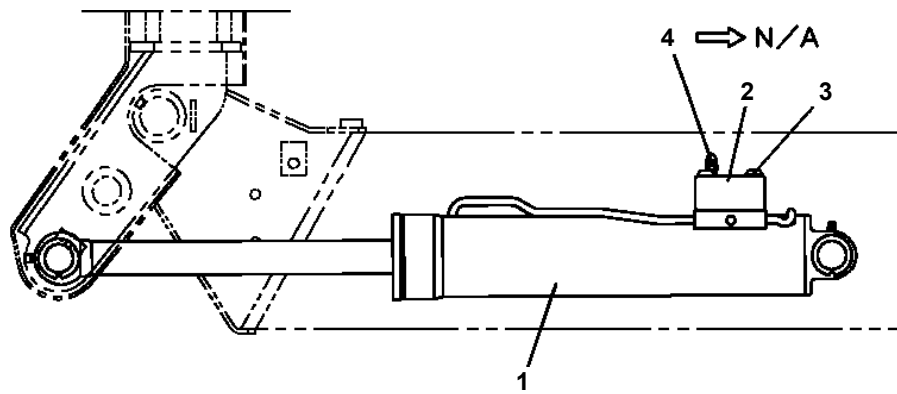
AT-100-5 42063540901 UPPER,LOWER,ISUZU TPG-NKR85AN-EE5AHY
PC5700017-00 COVER



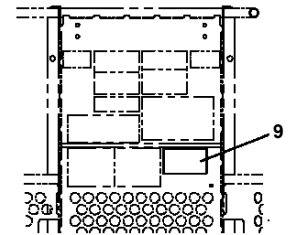
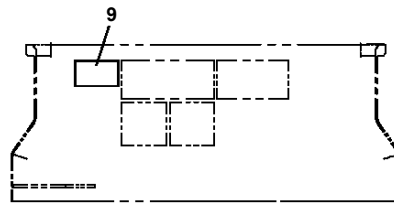
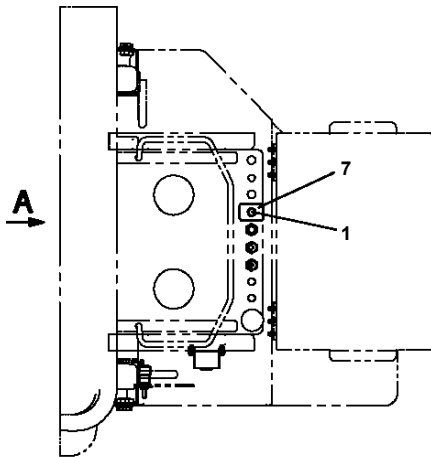
**AT-100-5 42063540901 UPPER,LOWER,ISUZU TPG-NKR85AN-EE5AHY
PD1010153-00 REDUCER,SWING SPEED (MOUNT)**



**AT-100-5 42063540901 UPPER,LOWER,ISUZU TPG-NKR85AN-EE5AHY
PE1050138-02 CYLINDER,LEVELING (UPPER)**

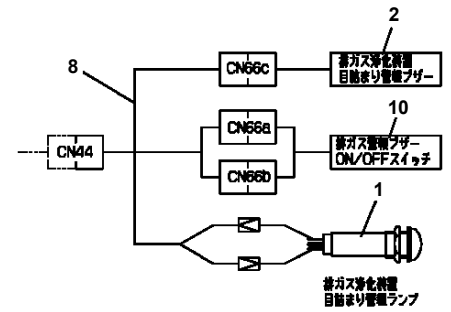
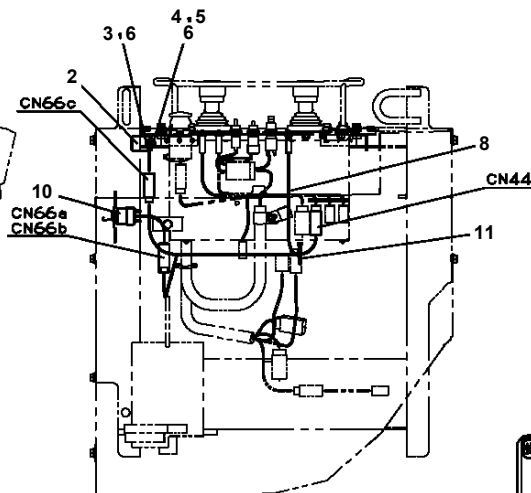
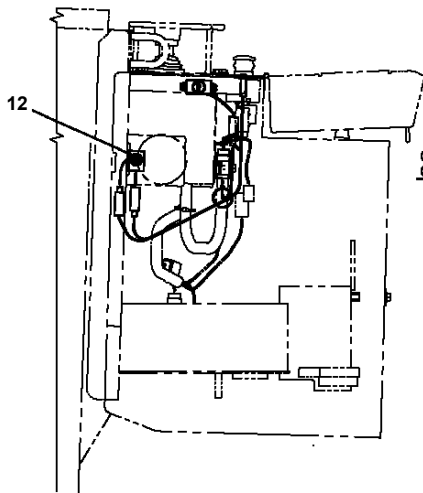


**AT-100-5 42063540901 UPPER,LOWER,ISUZU TPG-NKR85AN-EE5AHY
PE5020440-01 ELEC.ASSY (EXHAUST GAS ALARM)**




(鉄バスケットの場合)

A




接続詳細



7
排ガス警報

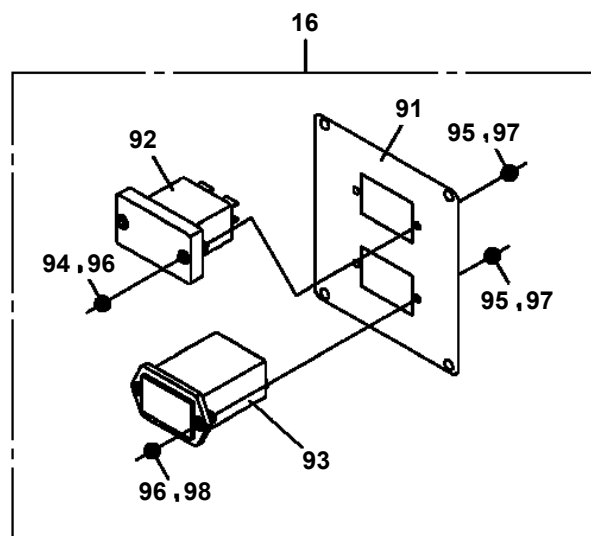
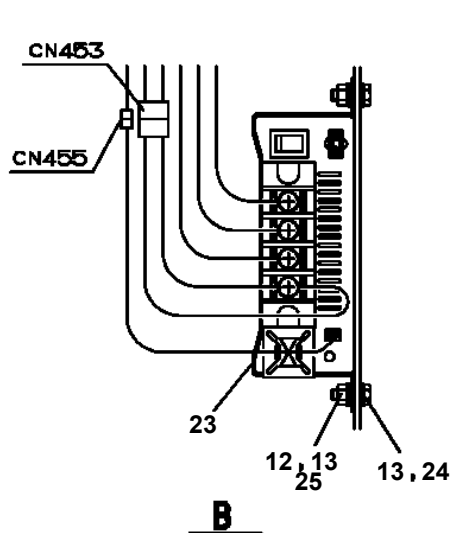
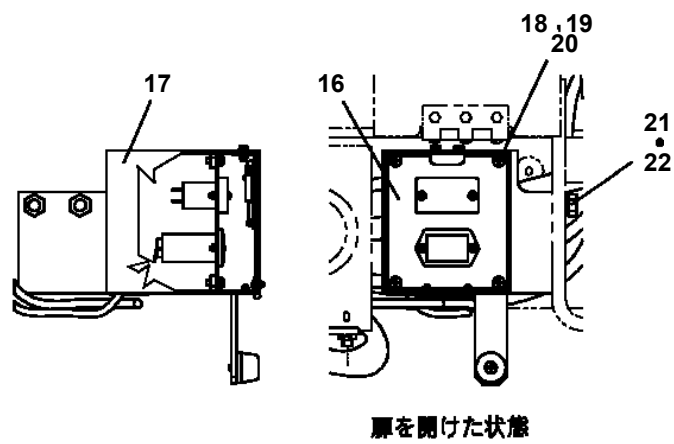
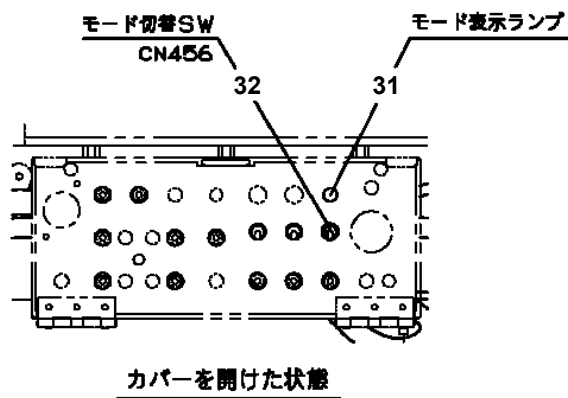
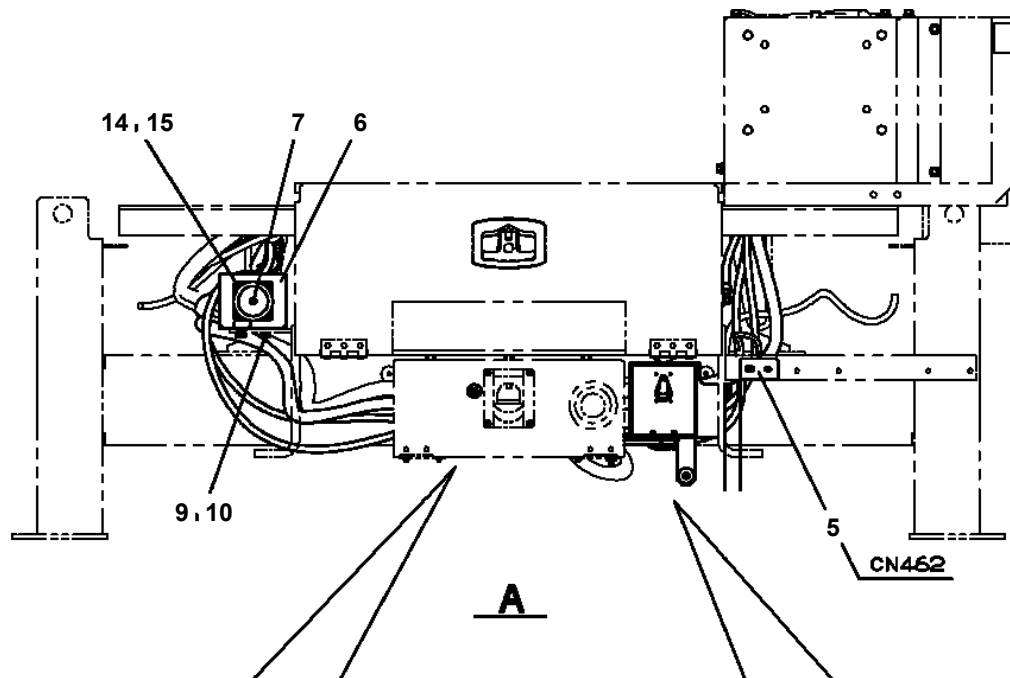
注意 / 排ガス浄化装置

○「排ガス警報」ランプが点滅しブザーが鳴った場合は作業を中止しブームを巻戻してください。そのまま使用を続けると、排ガス浄化装置およびエンジンが故障します。巻戻後戸口を初り車両の取組説明書に従って再生操作を行ってください。



12
排ガス警報灯

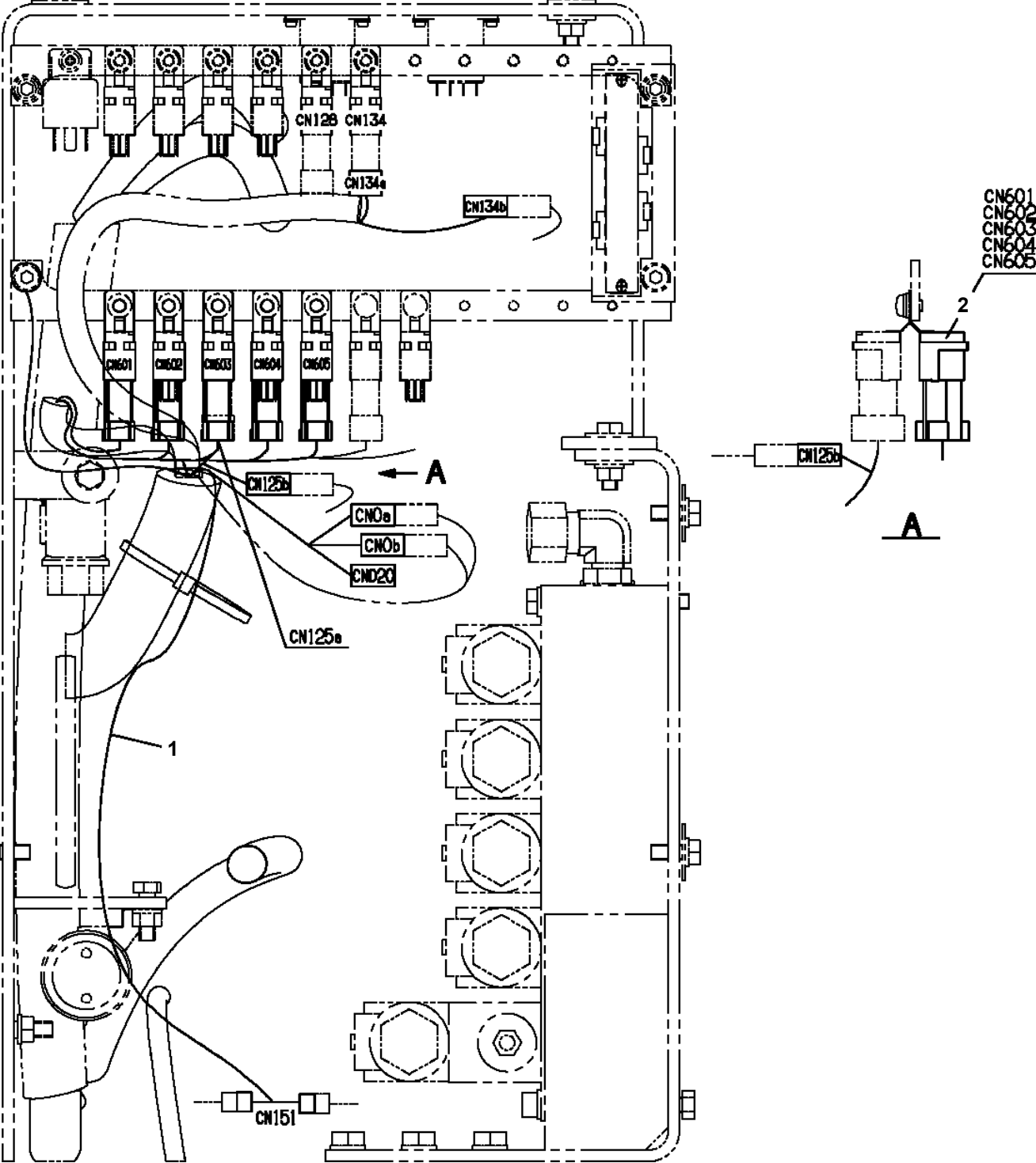
AT-100-5 42063540901 UPPER,LOWER,ISUZU TPG-NKR85AN-EE5AHY
PE5020531-02 ELEC.ASSY



AT-100-5 42063540901 UPPER,LOWER,ISUZU TPG-NKR85AN-EE5AHY

Pos No.	Parts No	Parts Name	Qty	Unit	Technical Data	Serial No (Start)	Serial No (End)	Remarks
1	42973361500	SPEAKER ASSY	1					
2	90101206012	BOLT	4		M6X12			
3	90302040601	WASHER,SPRING	6		6			
4	42973361100	SUPPORT	1					
5	90101210030	BOLT	2		M10X30			
6	90302041001	WASHER,SPRING	2		10			
7	42973361300	HARNESS	1					
8	42973361200	SUPPORT	1					
9	42973361250	SUPPORT	1					
10	42505982010	PLATE	1					
11	90172106012	BOLT,HEXAGON SOCKET	2		M6X12			
12	90303070601	WASHER,PLAIN	4		6			
13	42973361400	COVER	1					
14	82473012600	SWITCH	1					
15	80172803010	SCREW,MACHINE	4		M3X10			
16	90302510301	WASHER,SPRING (SUS 3)	4					
17	90303520301	WASHER,PLAIN	4		3			
18	90201500300	NUT	4		M3			
19	90101208020	BOLT	1		M8X20			
20	90201200800	NUT	1		M8			
21	90302040801	WASHER,SPRING	1		8			
22	91810132530	FASTENER	10					
23	91850700101	CLAMP	1		L=208			
24	91810130250	FASTENER	1					
42	82400000200	GROMMET	1		KG-012,L=250			

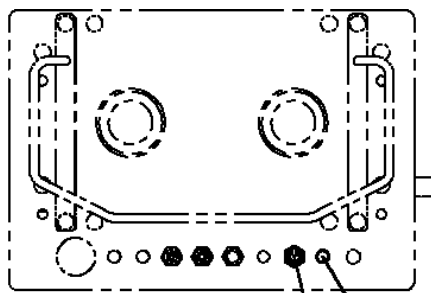
**AT-100-5 42063540901 UPPER,LOWER,ISUZU TPG-NKR85AN-EE5AHY
PE5020729-00 ELEC.ASSY (PTO FAIL SAFE)**



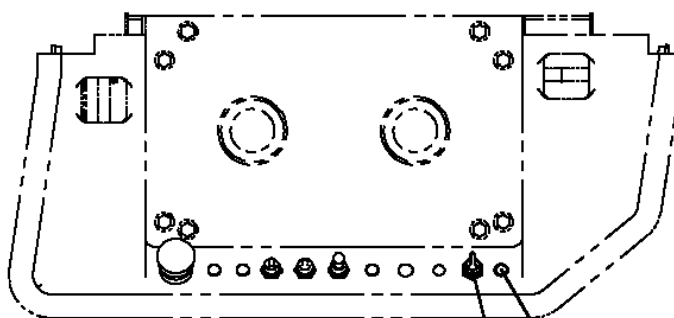
AT-100-5 42063540901 UPPER,LOWER,ISUZU TPG-NKR85AN-EE5AHY

Pos No.	Parts No	Parts Name	Qty	Unit	Technical Data	Serial No (Start)	Serial No (End)
1	34354781710	RELAY (WITH BRACKET)	4				
3	42653673200	LAMP ASSY (GREEN,WITH HARNESS)	1				
4	42509571500	HARNESS	1				
5	42509571600	HARNESS	1				
6	91810132530	FASTENER	10				
7	42509571400	SWITCH ASSY	1				
8	37000500060	PLATE	2				
9	42652480010	PLATE	1				
10	36140510000	DETECTOR ASSY,ANGLE	1				
11	90101208016	BOLT	6		M8X16		
12	90302040801	WASHER,SPRING	6		8		
13	90101206014	BOLT	2		M6X14		
14	90302040601	WASHER,SPRING	2		6		
15	42651620400	COVER	1				
16	42509571300	HARNESS	1				
32	82400000201	GROMMET	1		KG-016		

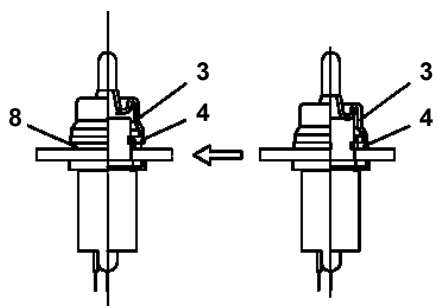
AT-100-5 42063540901 UPPER,LOWER,ISUZU TPG-NKR85AN-EE5AHY
 PE5060031-01 ELEC.ASSY,BUCKET



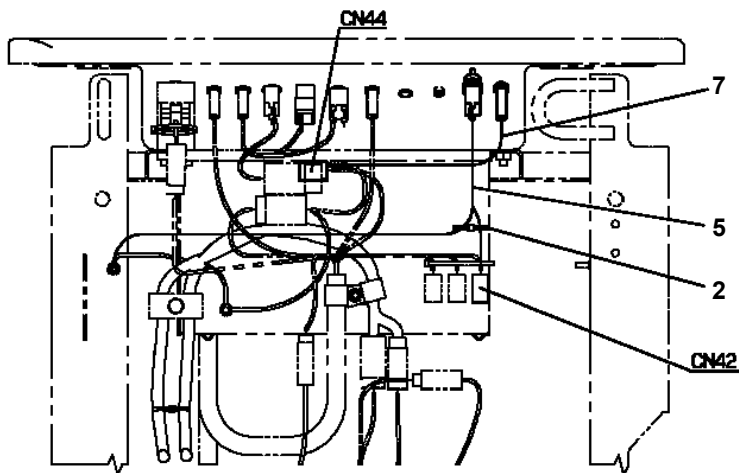
鉄パネルの場合 CN42



FRPパネルの場合 CN42



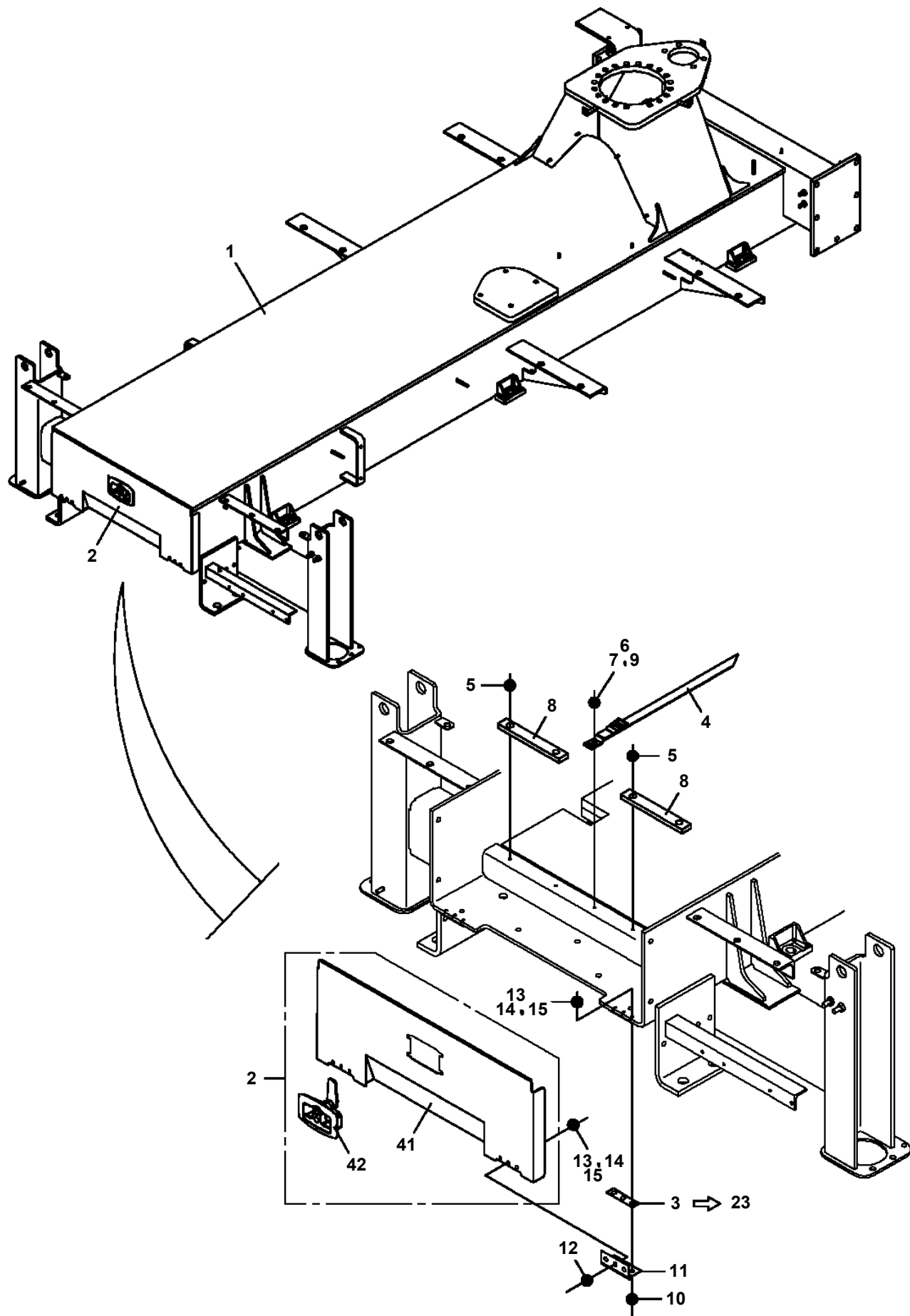
トグルSW



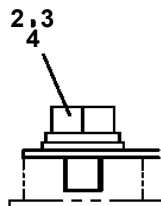
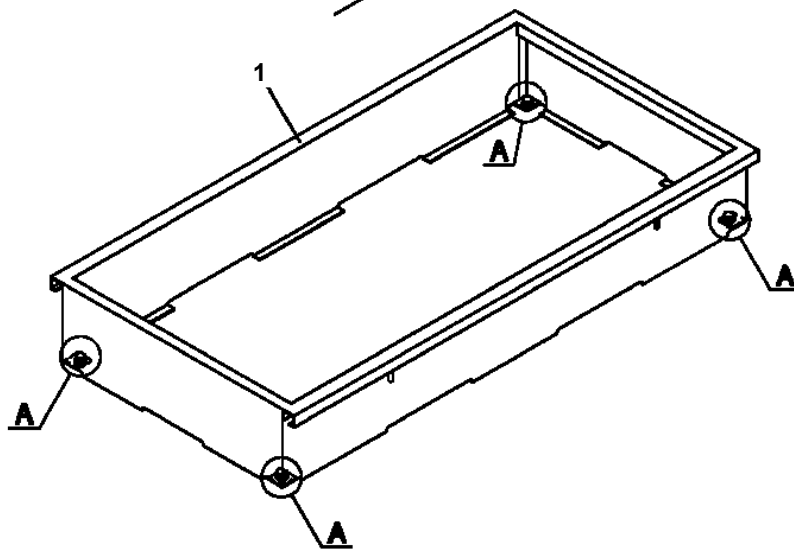
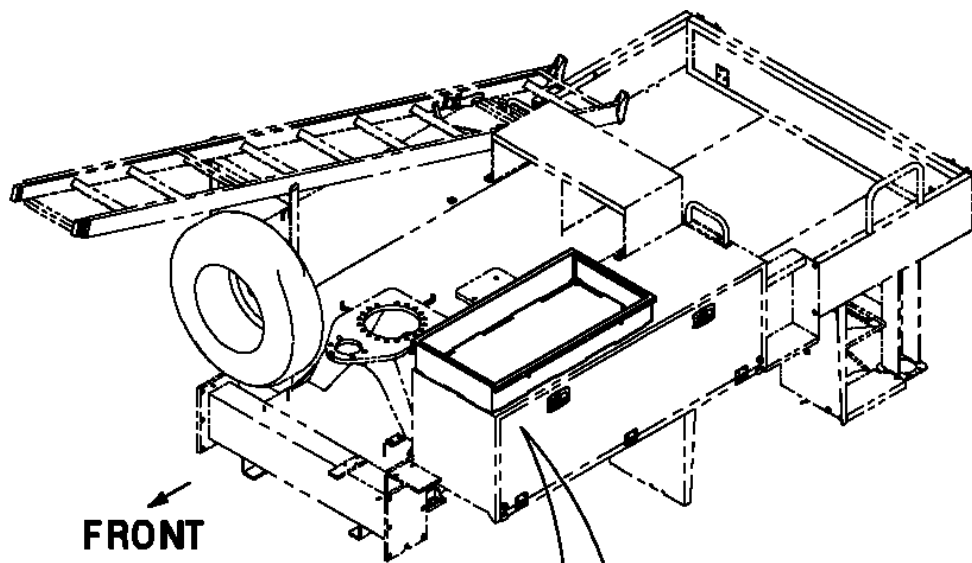
AT-100-5 42063540901 UPPER,LOWER,ISUZU TPG-NKR85AN-EE5AHY

Pos No.	Parts No	Parts Name	Qty	Unit	Technical Data	Serial No (Start)	Serial No (End)	Remarks	Pages
1	42937060100	HARNESS	1						000161
2	91810132530	FASTENER	10						
3	90302040601	WASHER,SPRING	1		6				
4	82100002012	CLAMP	1		WR18				
5	90201200600	NUT	1		M6				
6	82100000975	CLIP	1						

AT-100-5 42063540901 UPPER,LOWER,ISUZU TPG-NKR85AN-EE5AHY
PF5100155-01 FRAME ASSY

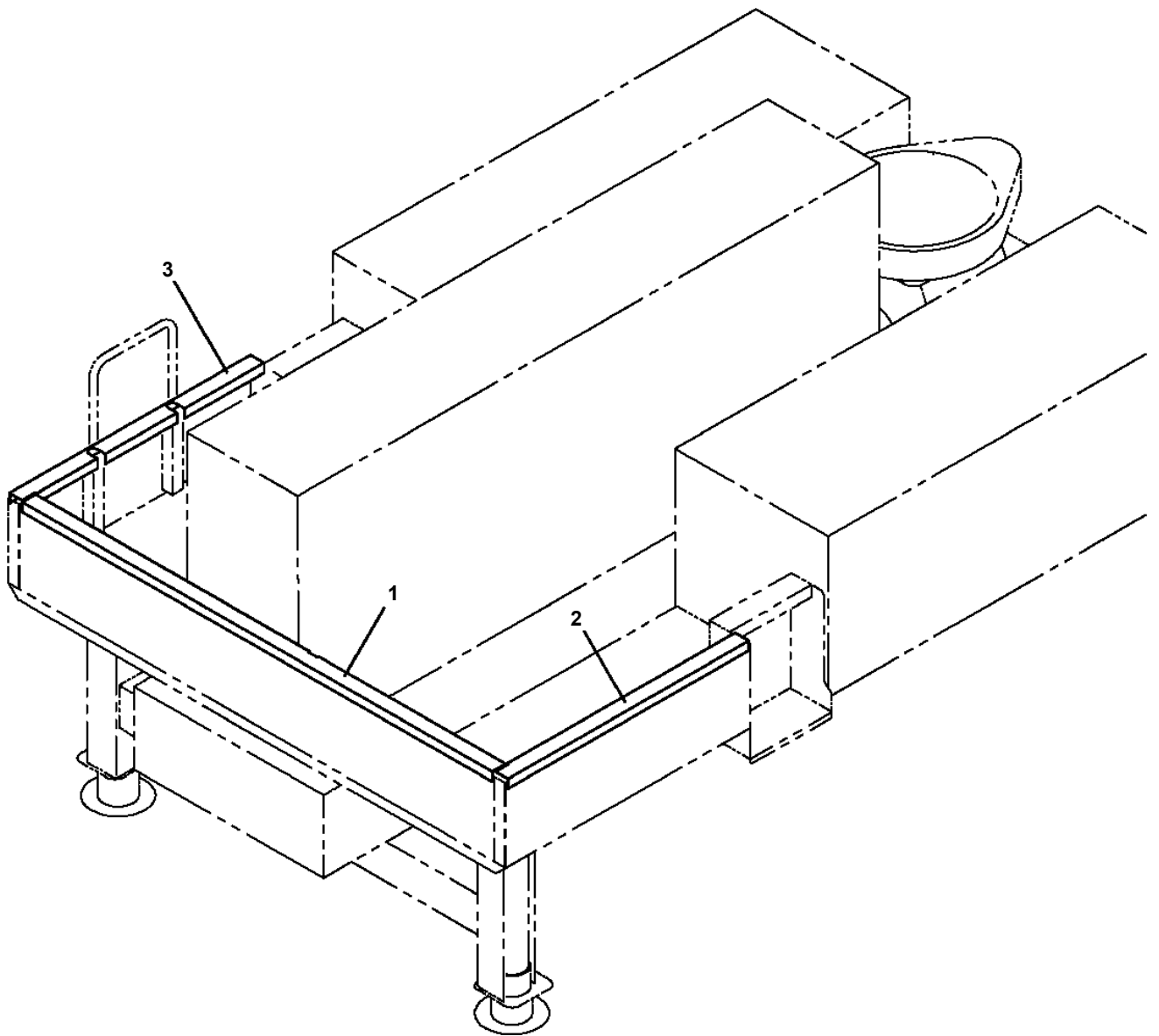


AT-100-5 42063540901 UPPER,LOWER,ISUZU TPG-NKR85AN-EE5AHY
PG5200020-00 GUARD ASSY (UPPER STORAGE ON LEFT TOOL BOX)

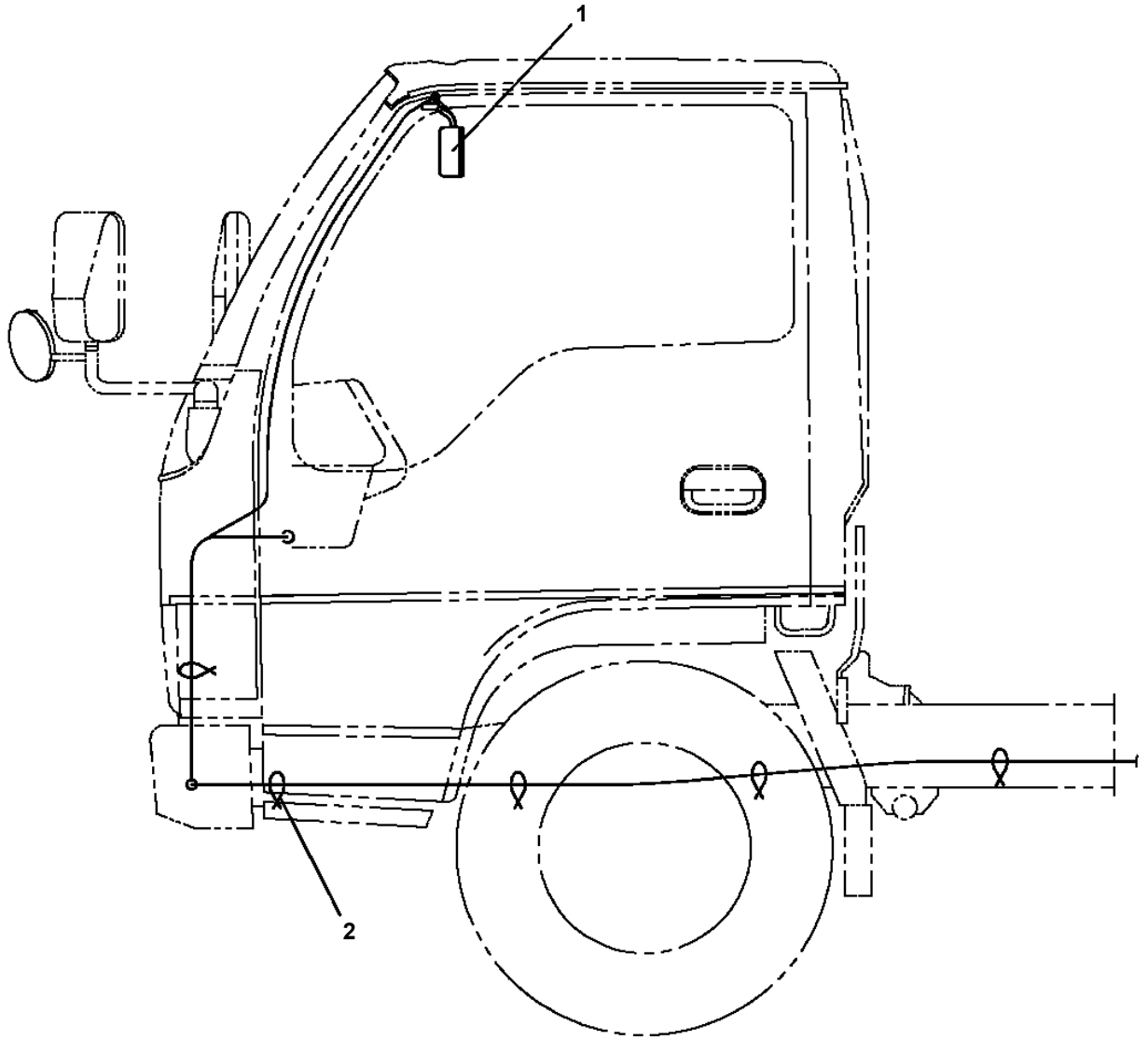


A
(4ヶ所)

**AT-100-5 42063540901 UPPER,LOWER,ISUZU TPG-NKR85AN-EE5AHY
PG5200050-00 GUARD ASSY (GATE PROTECTOR,LOWER SPEC:42063533000)**



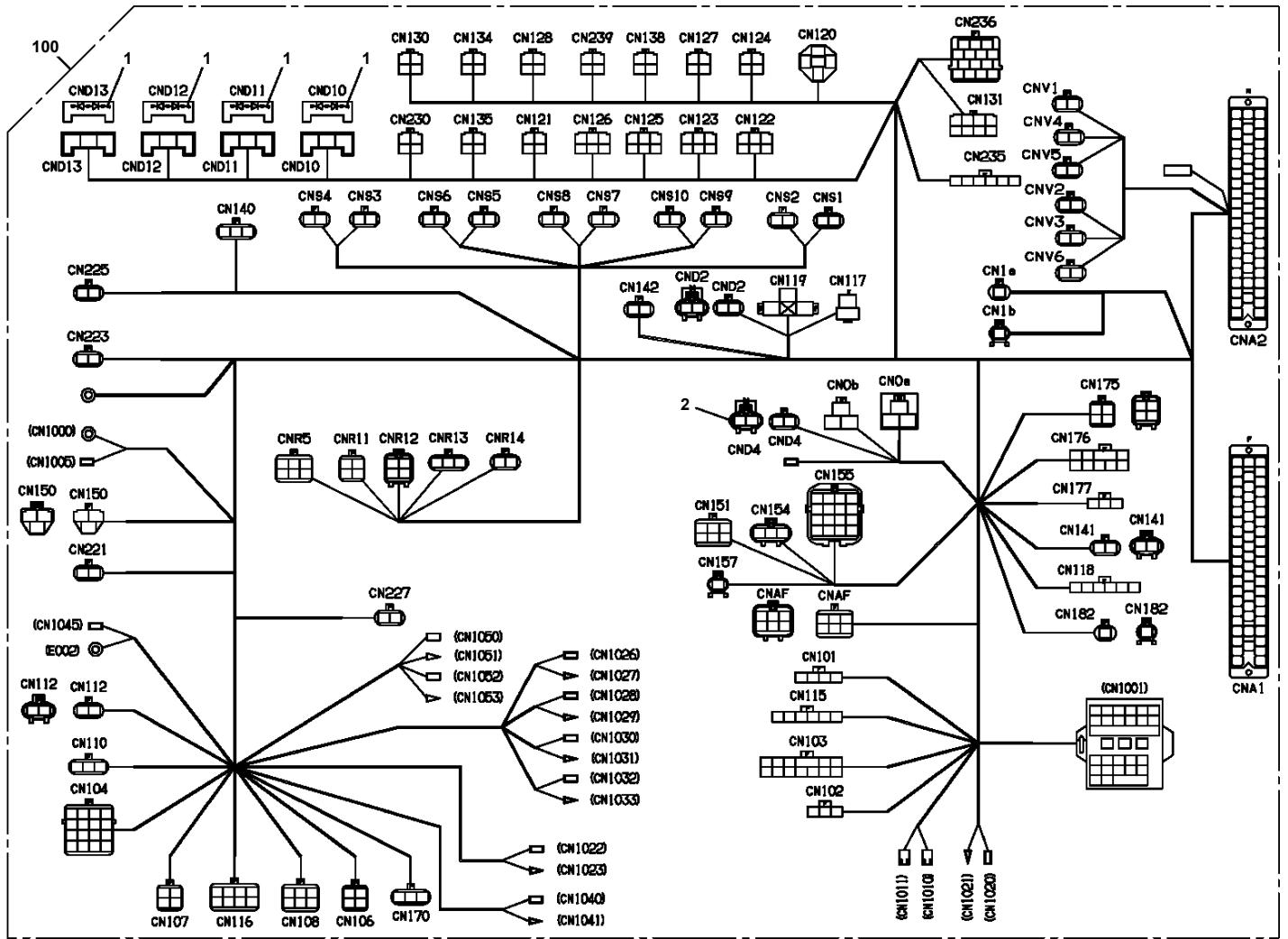
**AT-100-5 42063540901 UPPER,LOWER,ISUZU TPG-NKR85AN-EE5AHY
PH1700270-00 VIEW SYSTEM (MONITOR)**



**AT-100-5 42063540901 UPPER,LOWER,ISUZU TPG-NKR85AN-EE5AHY
PH1700303-01 VIEW SYSTEM (FOR ISUZU,NISSAN,MAZDA)**

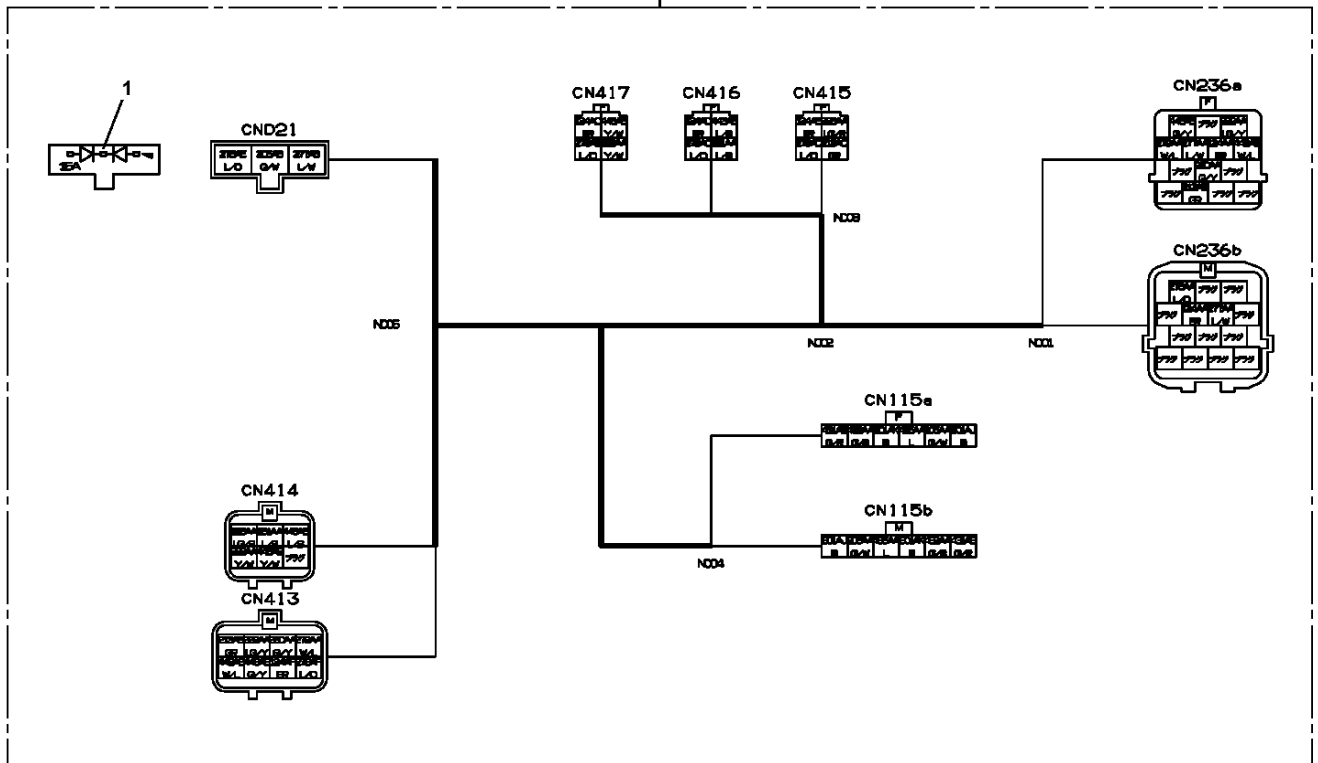
指示番号 KEY NO.	ビユー システム (イスズ ,ニッサン ,マツダ ヨウ) VIEW SYSTEM (FOR ISUZU,NISSAN,MAZDA)
1	ビユー システム (モニタ) VIEW SYSTEM (MONITOR)
2	ビユー システム (カメラ) VIEW SYSTEM (CAMERA)

**AT-100-5 42063540901 UPPER,LOWER,ISUZU TPG-NKR85AN-EE5AHY
PH5030282-00 HARNESS (MAIN)**

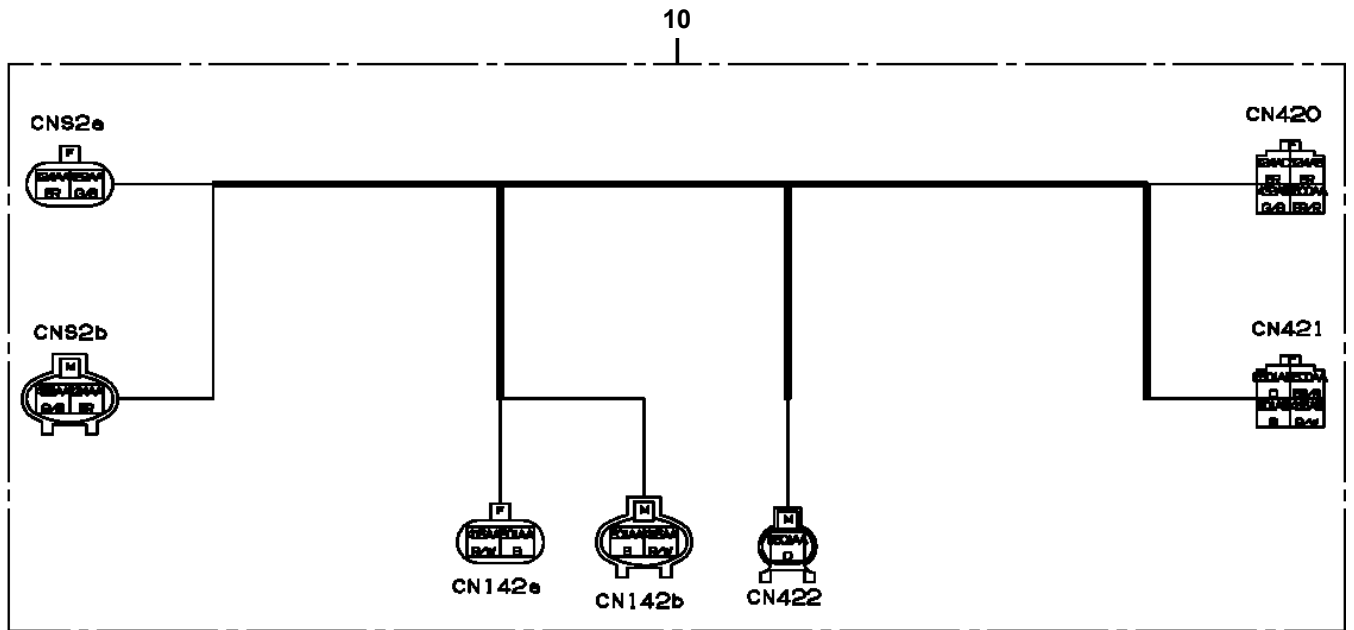


AT-100-5 42063540901 UPPER,LOWER,ISUZU TPG-NKR85AN-EE5AHY
PH5030577-01 HARNESS

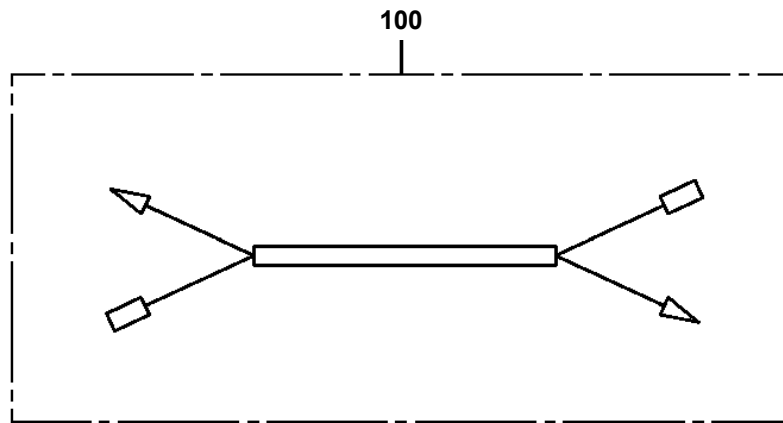
10



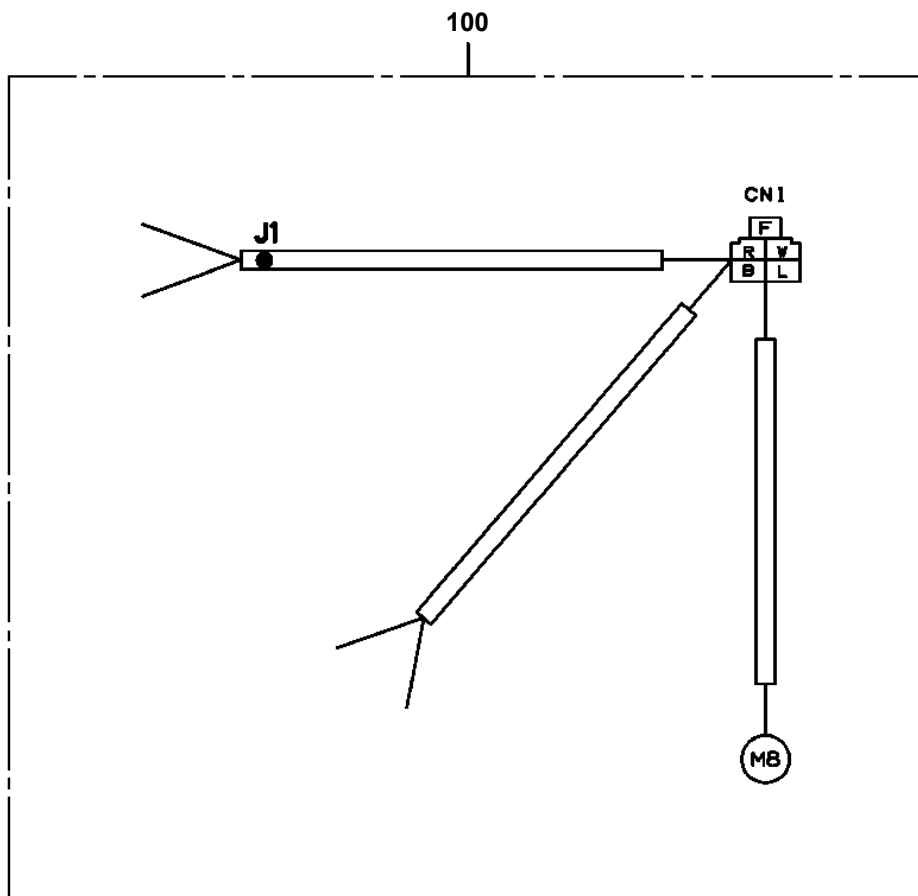
AT-100-5 42063540901 UPPER,LOWER,ISUZU TPG-NKR85AN-EE5AHY
PH5030722-01 HARNESS



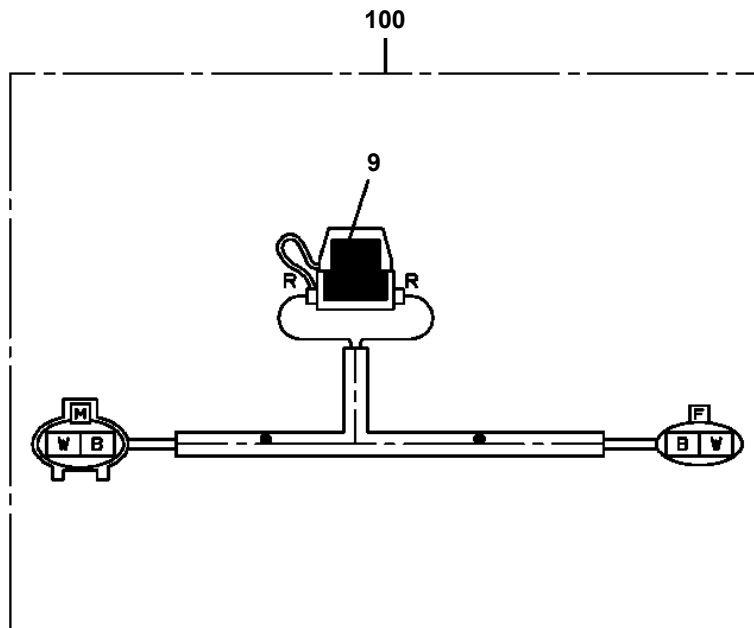
**AT-100-5 42063540901 UPPER,LOWER,ISUZU TPG-NKR85AN-EE5AHY
PH5030979-00 HARNESS**



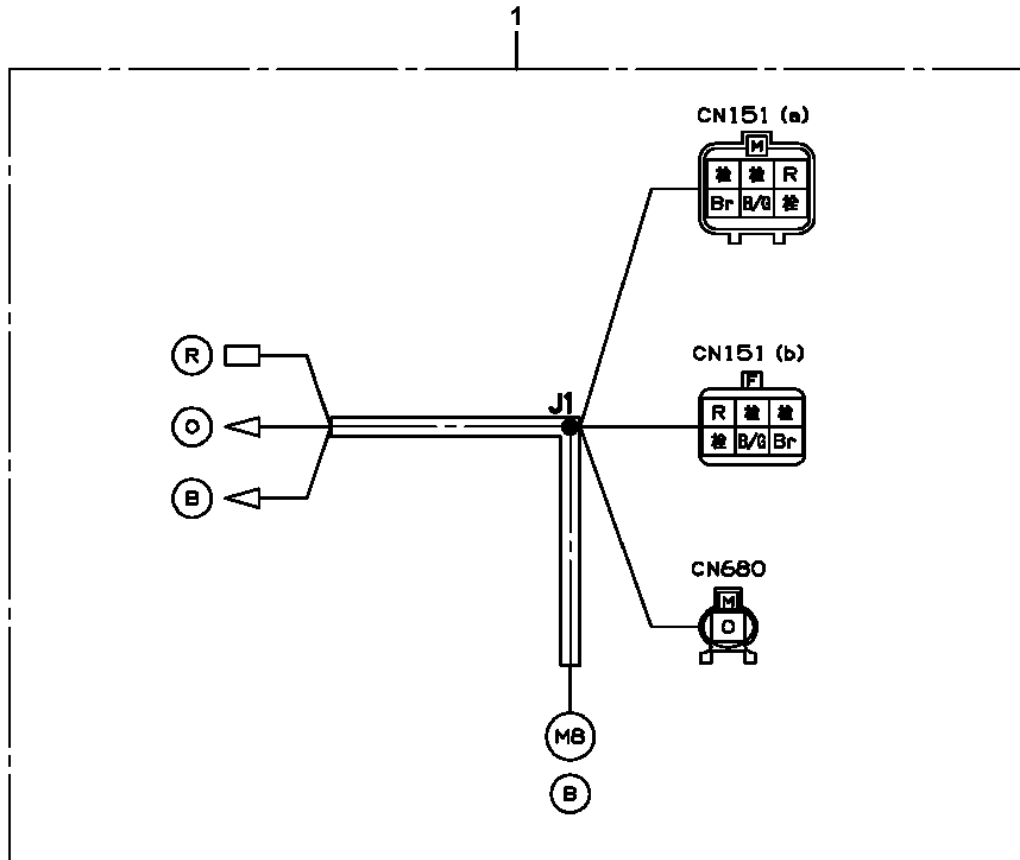
AT-100-5 42063540901 UPPER,LOWER,ISUZU TPG-NKR85AN-EE5AHY
PH5031015-00 HARNESS



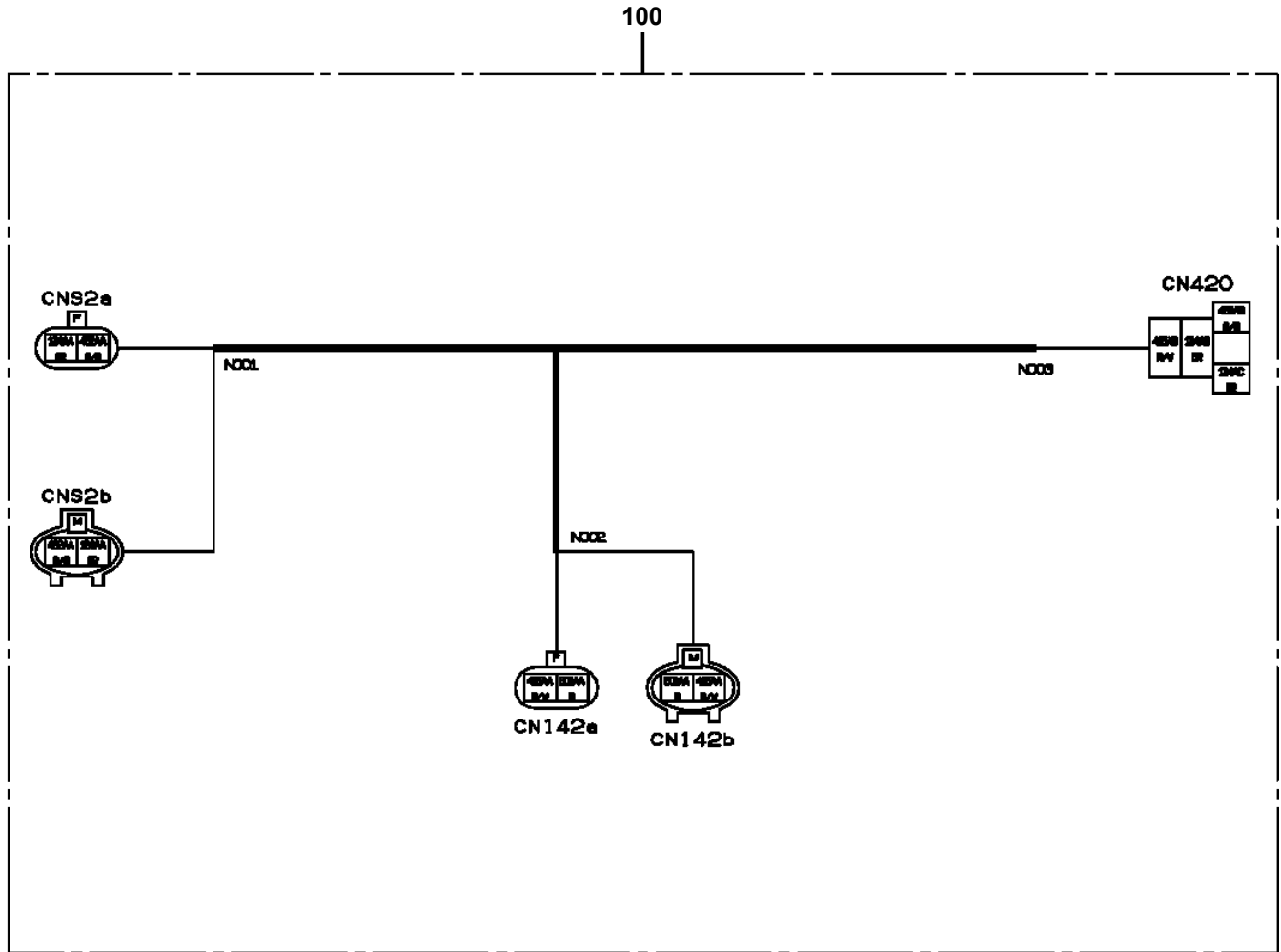
**AT-100-5 42063540901 UPPER,LOWER,ISUZU TPG-NKR85AN-EE5AHY
PH5031401-01 HARNESS**



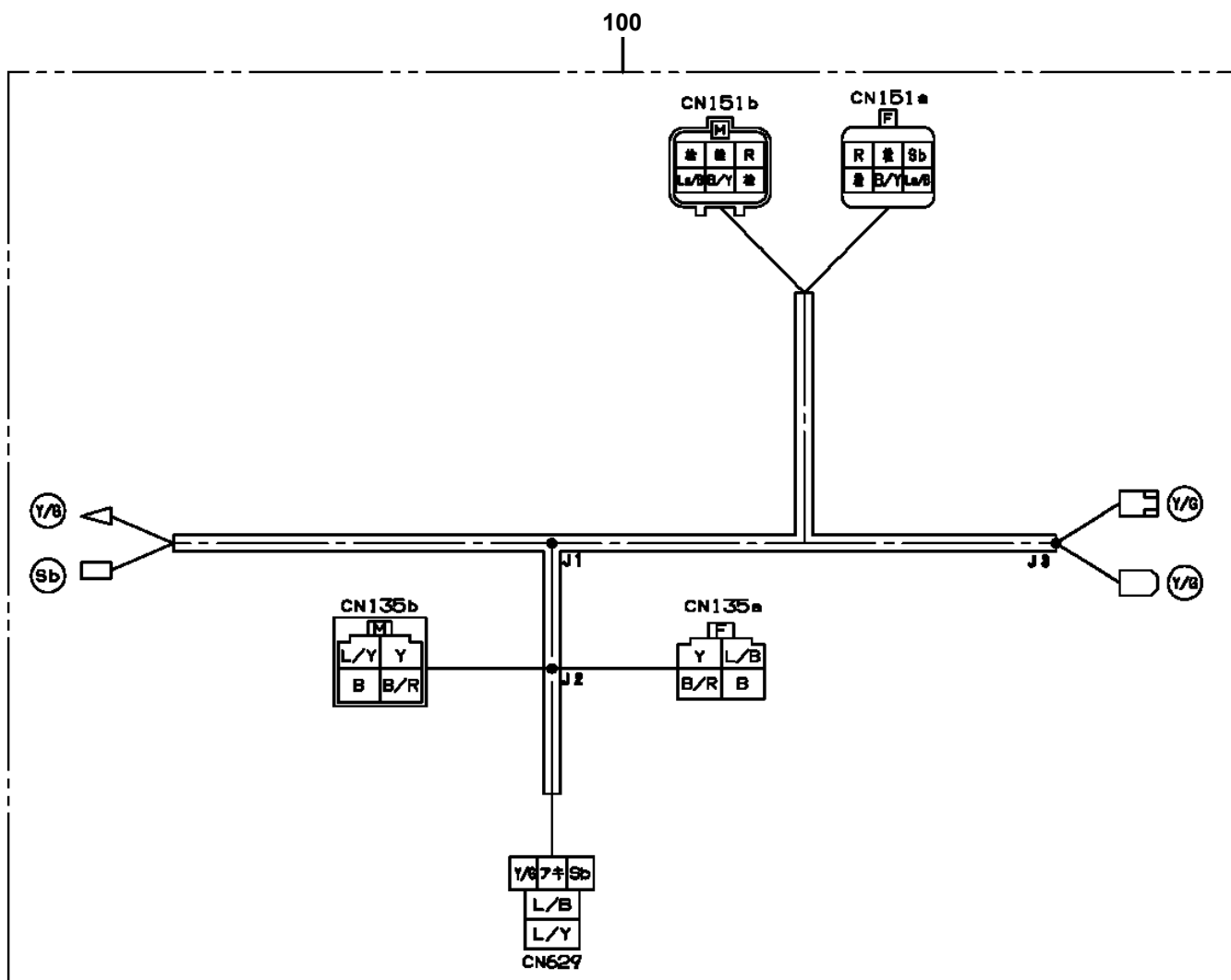
AT-100-5 42063540901 UPPER,LOWER,ISUZU TPG-NKR85AN-EE5AHY
PH5031558-00 HARNESS



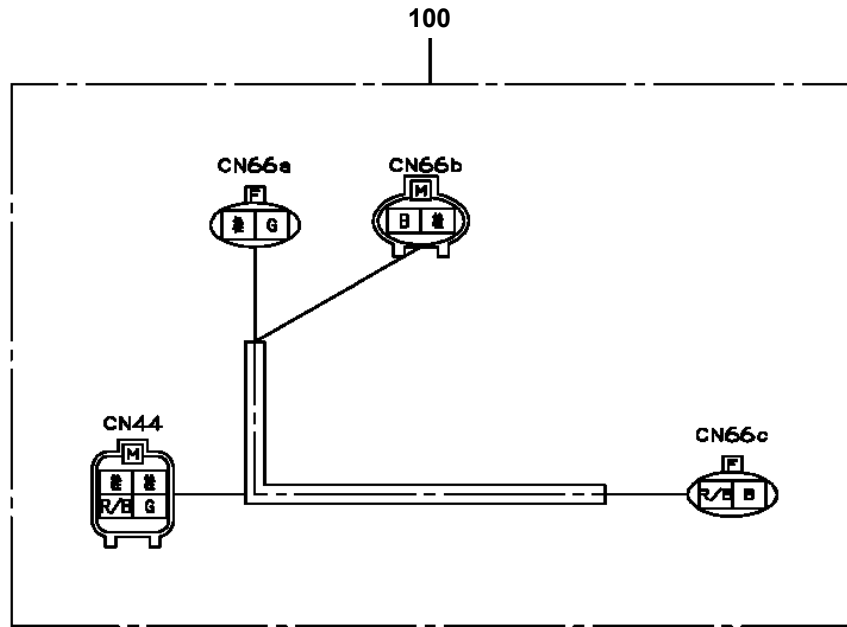
AT-100-5 42063540901 UPPER,LOWER,ISUZU TPG-NKR85AN-EE5AHY
PH5032261-00 HARNESS



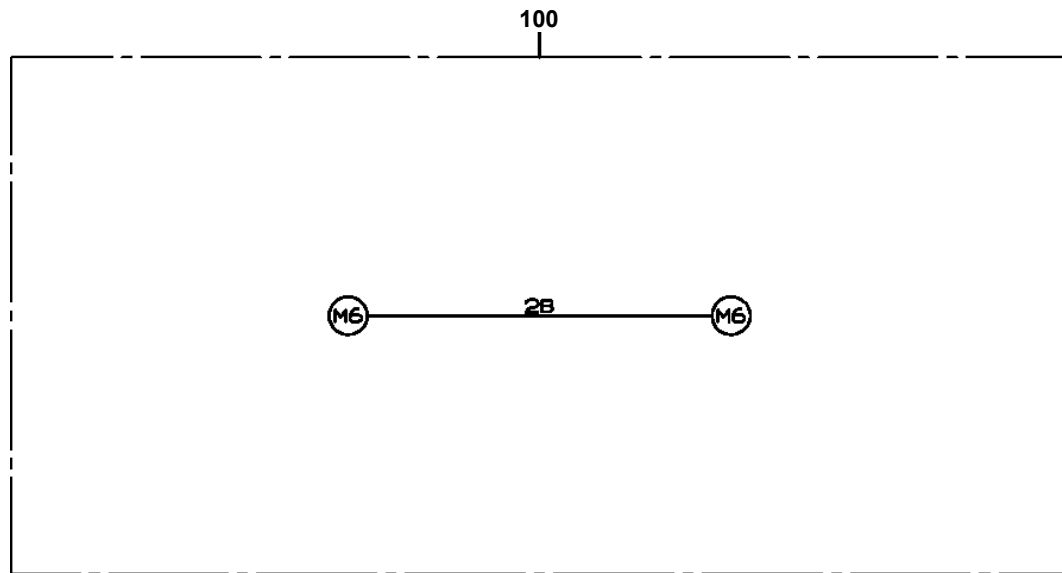
AT-100-5 42063540901 UPPER,LOWER,ISUZU TPG-NKR85AN-EE5AHY
 PH5032598-00 HARNESS



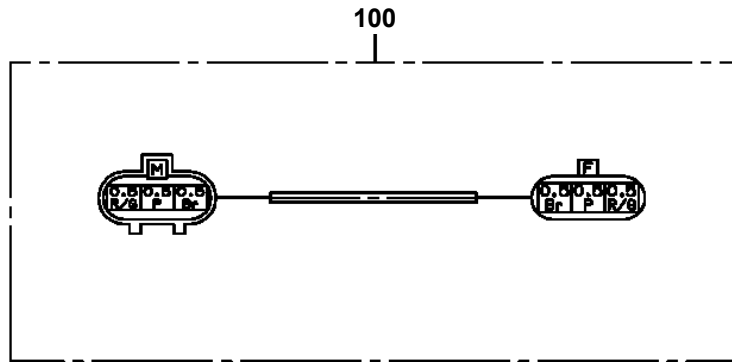
AT-100-5 42063540901 UPPER,LOWER,ISUZU TPG-NKR85AN-EE5AHY
PH5033623-00 HARNESS



AT-100-5 42063540901 UPPER,LOWER,ISUZU TPG-NKR85AN-EE5AHY
PH5034167-00 HARNESS

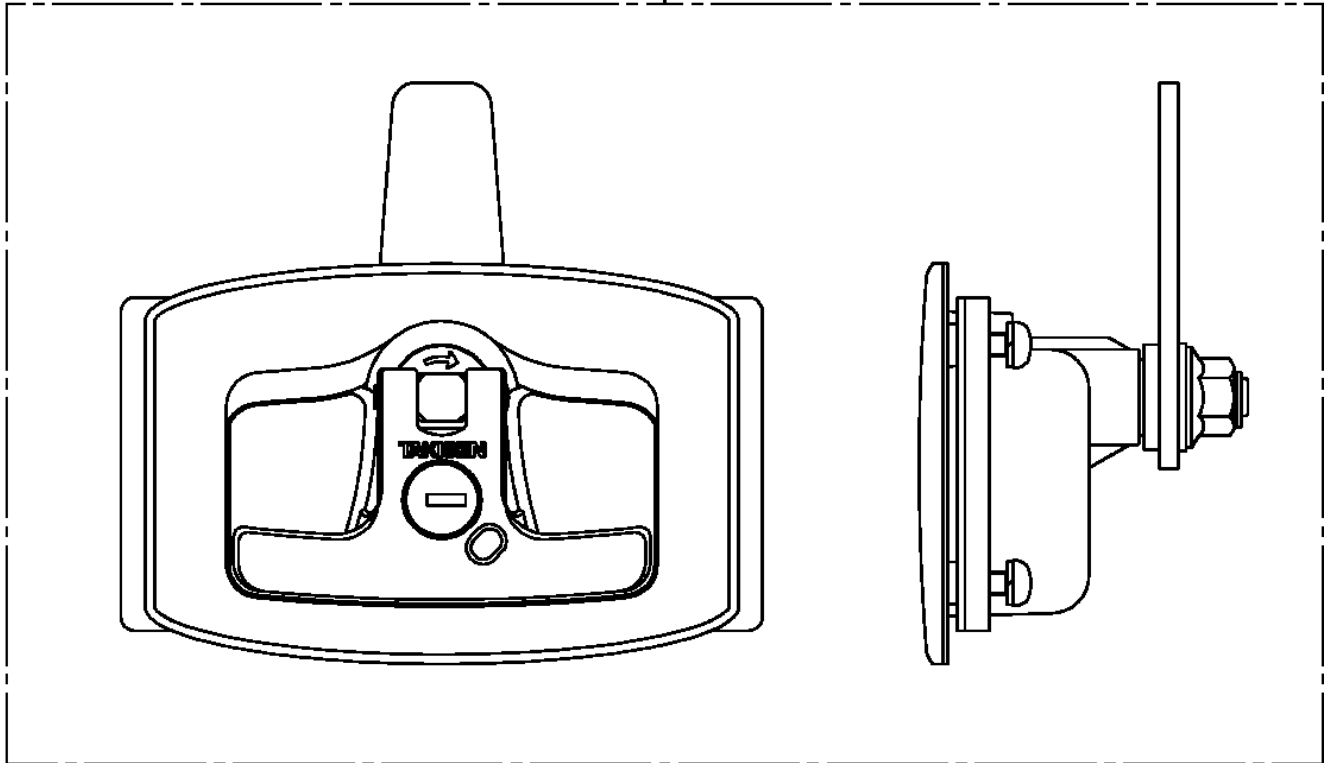


AT-100-5 42063540901 UPPER,LOWER,ISUZU TPG-NKR85AN-EE5AHY
PH5034174-00 HARNESS



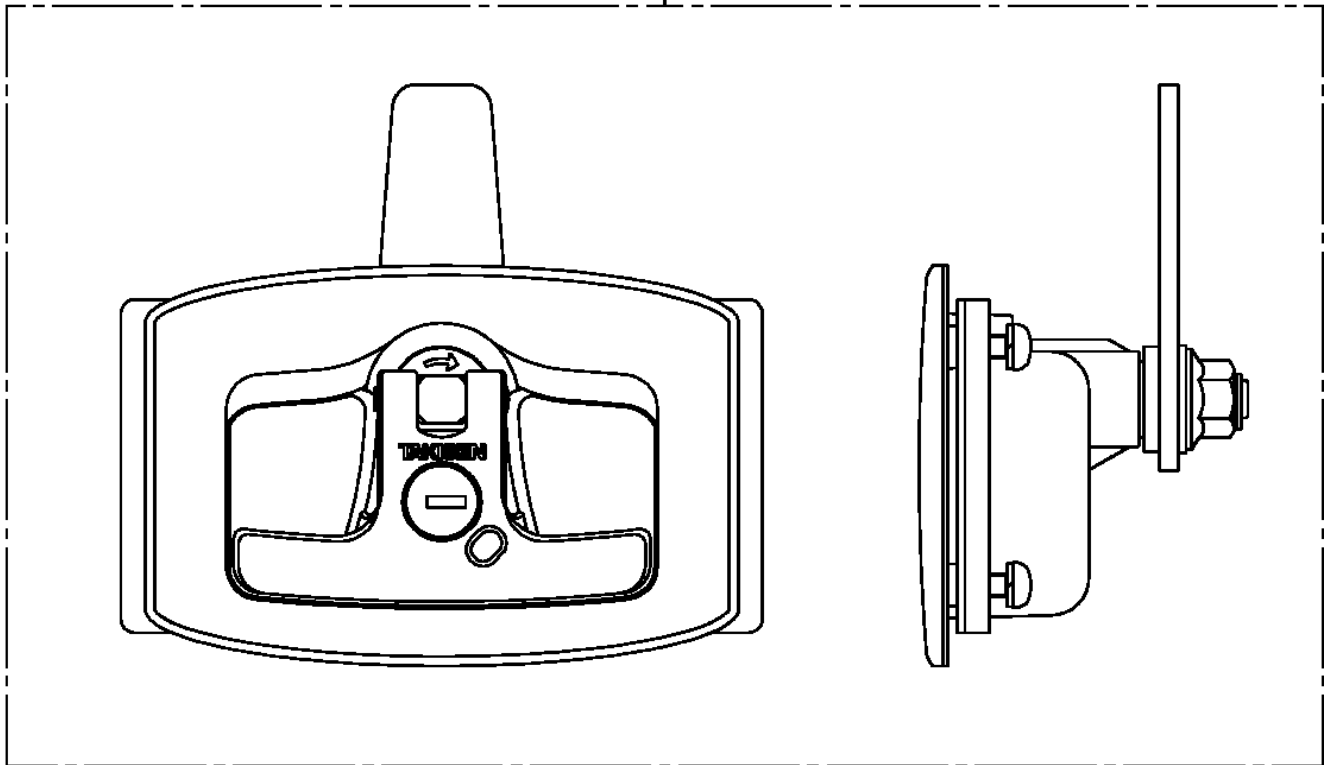
**AT-100-5 42063540901 UPPER,LOWER,ISUZU TPG-NKR85AN-EE5AHY
PH5190001-00 HANDLE**

1



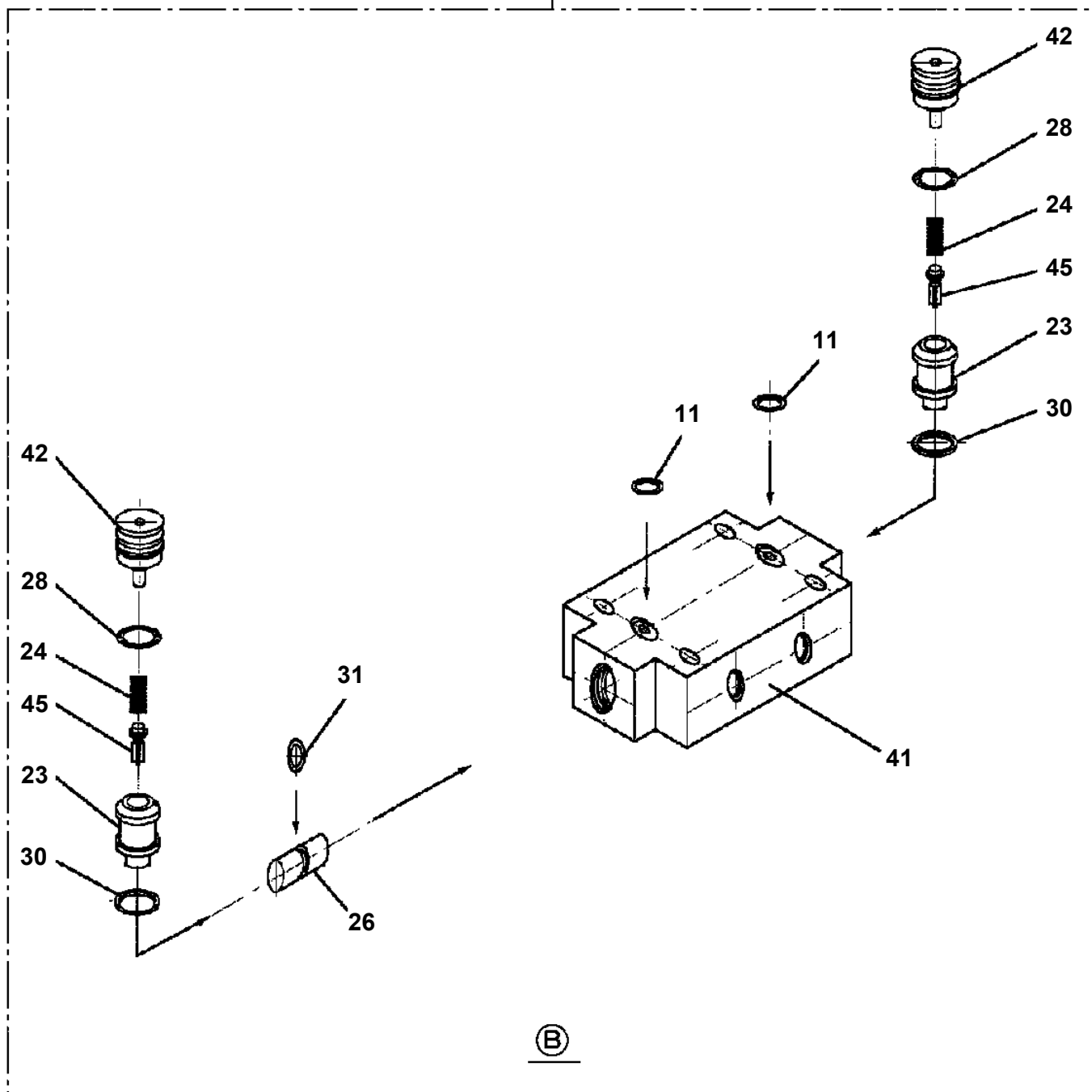
**AT-100-5 42063540901 UPPER,LOWER,ISUZU TPG-NKR85AN-EE5AHY
PH5190001-00 HANDLE**

1



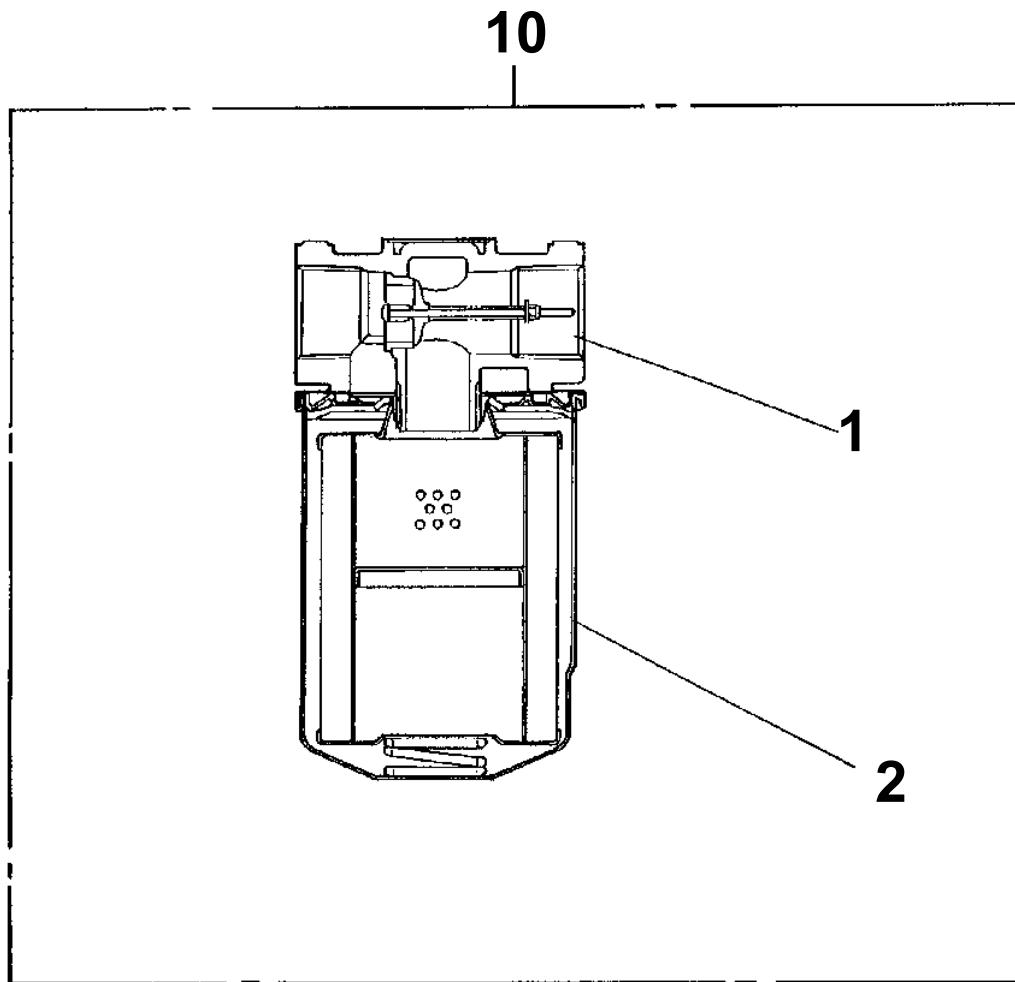
AT-100-5 42063540901 UPPER,LOWER,ISUZU TPG-NKR85AN-EE5AHY
PI1140133-01 VALVE,CHECK

100



AT-100-5 42063540901 UPPER,LOWER,ISUZU TPG-NKR85AN-EE5AHY
PI1300061-02 FILTER,OIL (YAMASHIN)

Assembly Name FILTER, OIL



CLICK HERE TO **DOWNLOAD** THE COMPLETE MANUAL

- Thank you very much for reading the preview of the manual.
- You can download the complete manual from: www.heydownloads.com by clicking the link below



- Please note: If there is no response to CLICKING the link, please download this PDF first and then click on it.

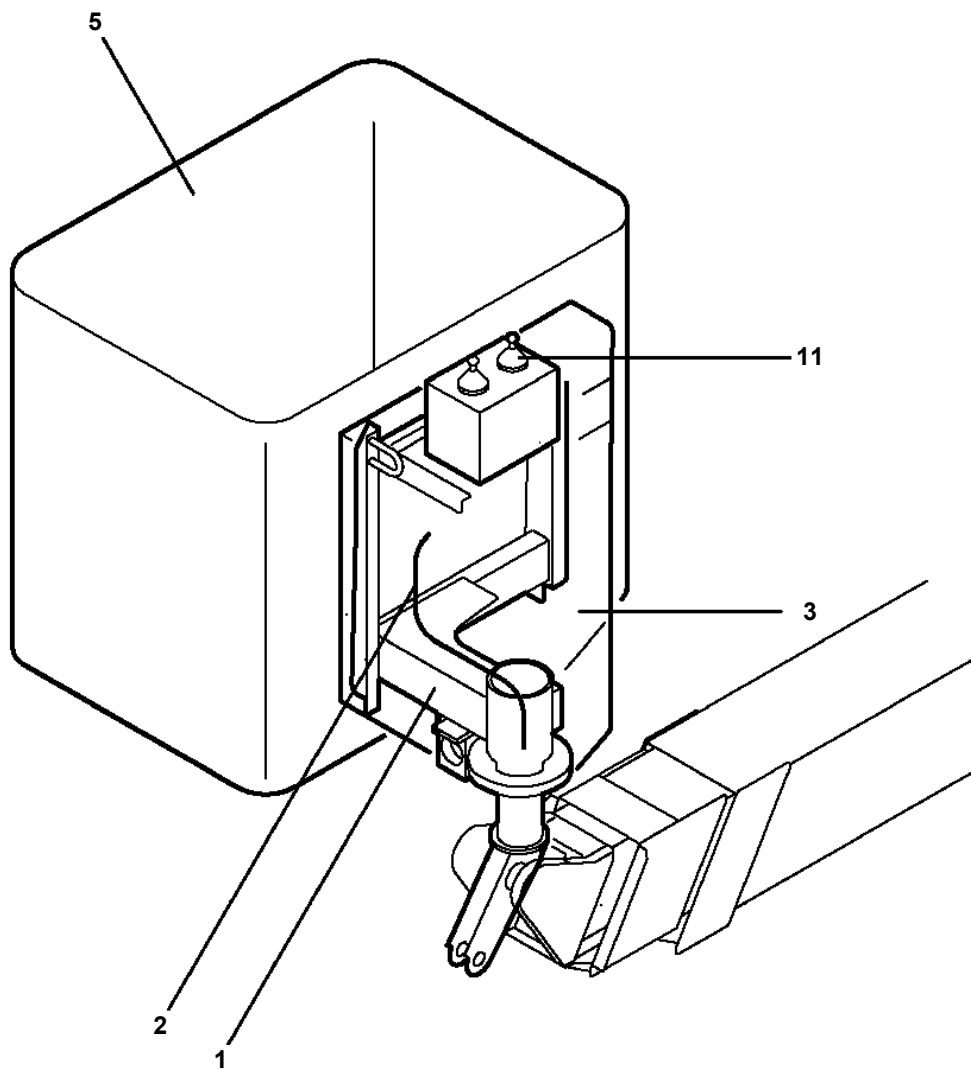
CLICK HERE TO **DOWNLOAD** THE COMPLETE MANUAL

**AT-100-5 42063540901 UPPER,LOWER,ISUZU TPG-NKR85AN-EE5AHY
PI5170029-00 INTERLOCK ASSY (HINO/WEDGE INTERLOCK)**

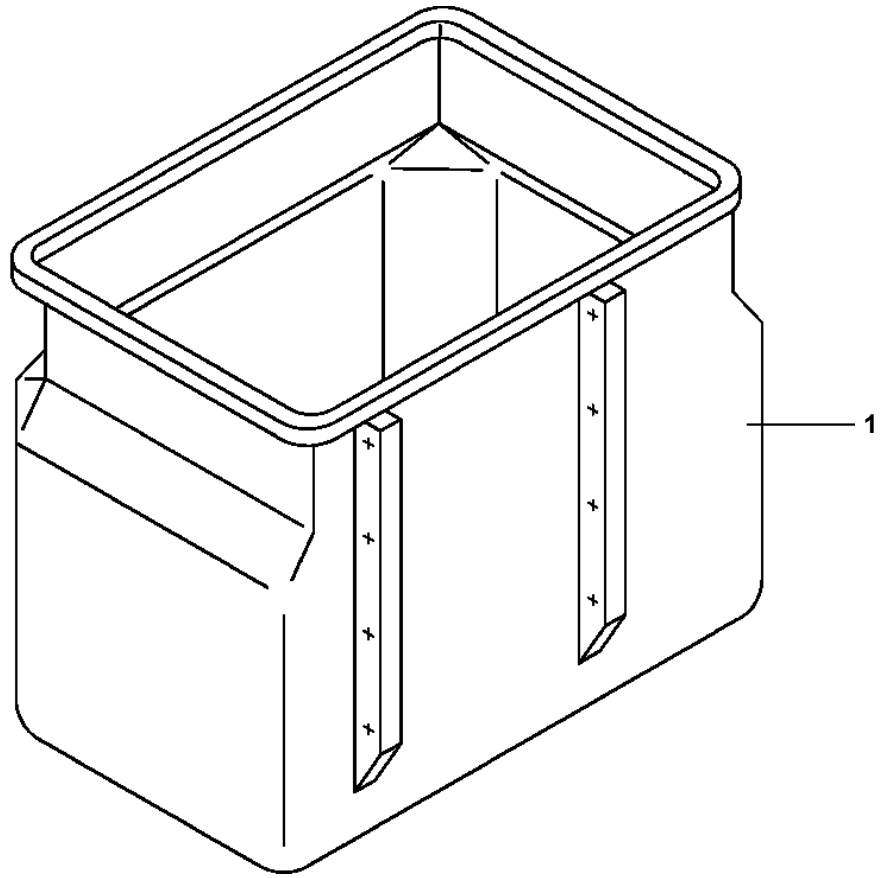
インターロックASSY (ヒノ/ハト*メインターロック)
INTERLOCK ASSY (HINO/WEDGE INTERLOCK)

【組立名称一覧】より選択してください。
SEE THE CORRESPONDING "ASSEMBLY NAME" LIST.

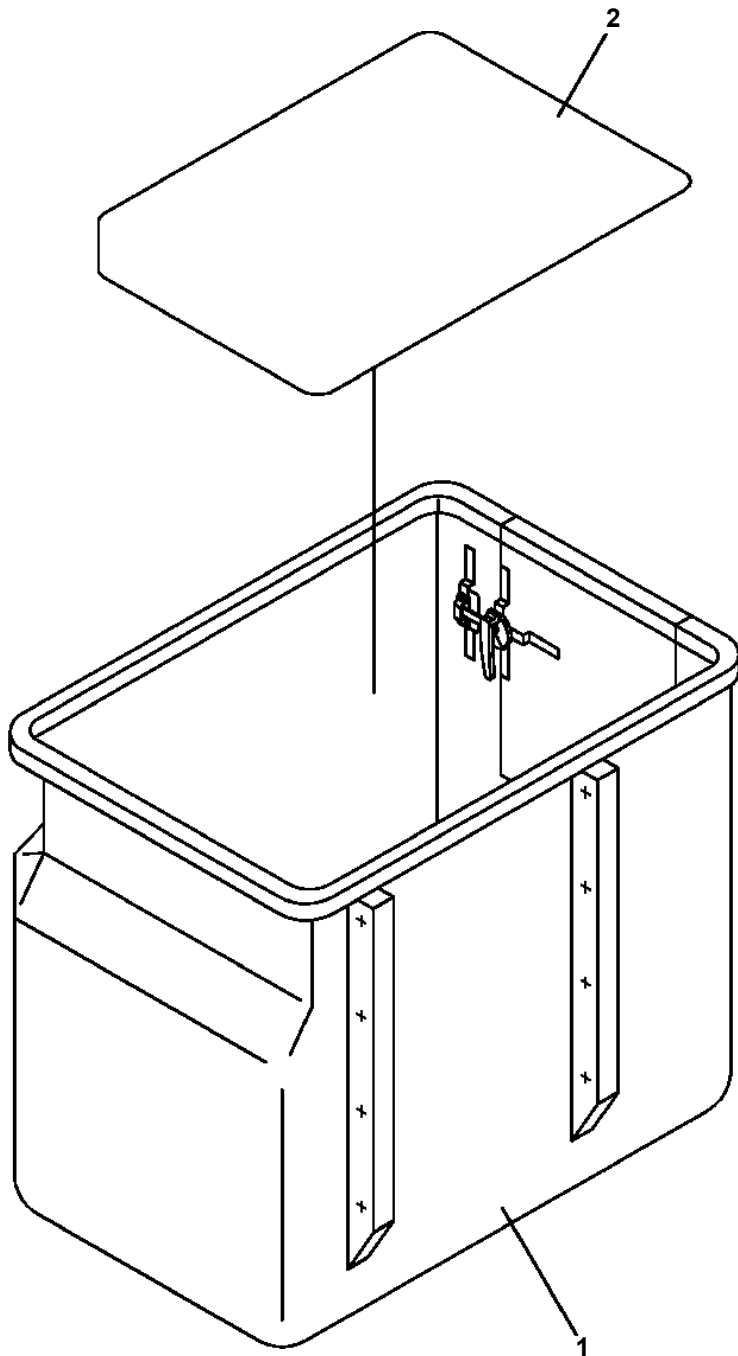
**AT-100-5 42063540901 UPPER,LOWER,ISUZU TPG-NKR85AN-EE5AHY
PJ2000016-00 BUCKET SYSTEM**



**AT-100-5 42063540901 UPPER,LOWER,ISUZU TPG-NKR85AN-EE5AHY
PJ3010299-00 BUCKET (WITH BOSS ON ONE SIDE)**

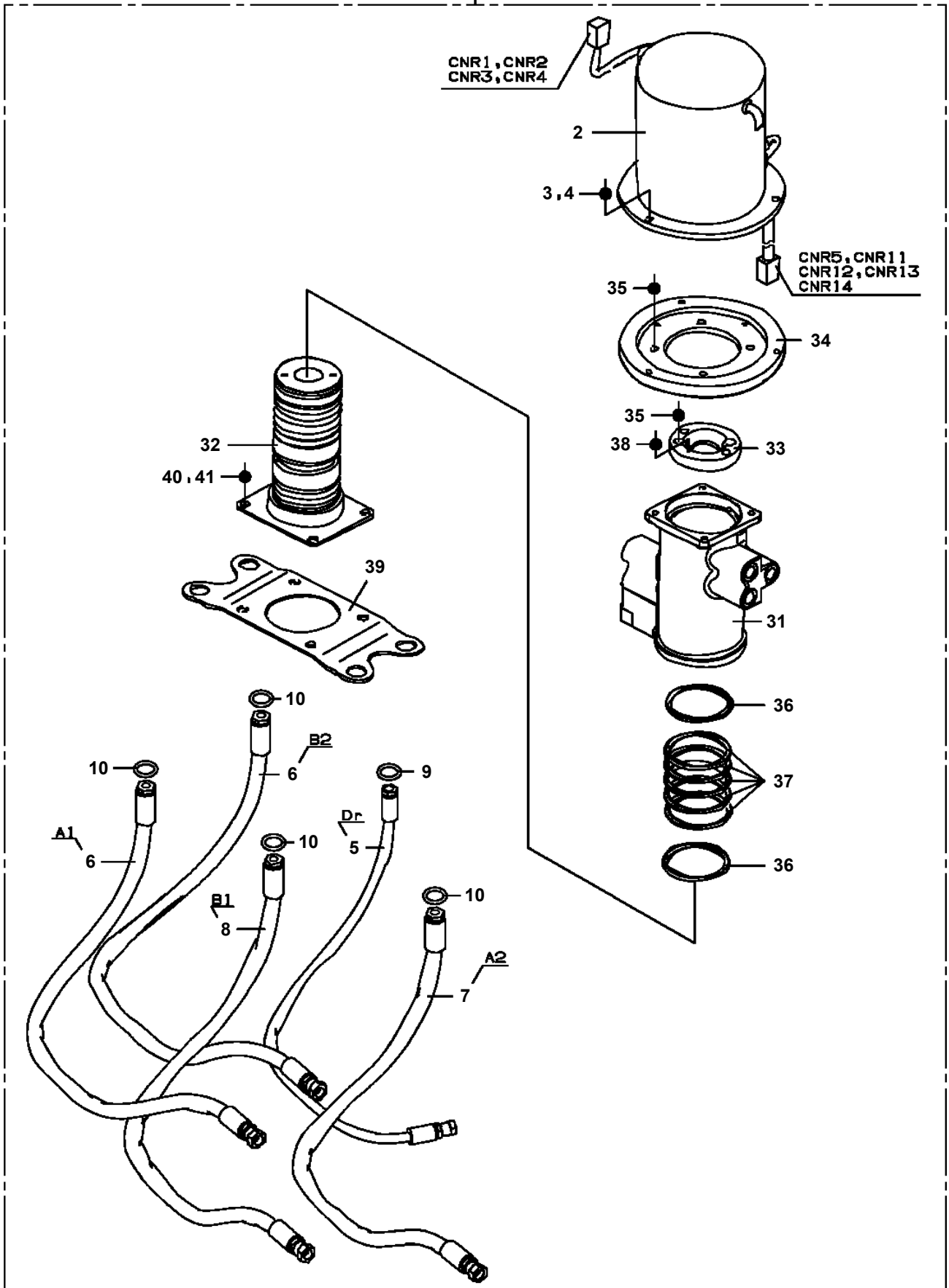


**AT-100-5 42063540901 UPPER,LOWER,ISUZU TPG-NKR85AN-EE5AHY
PJ3010364-00 BUCKET (WHITE/WITH DOOR)**

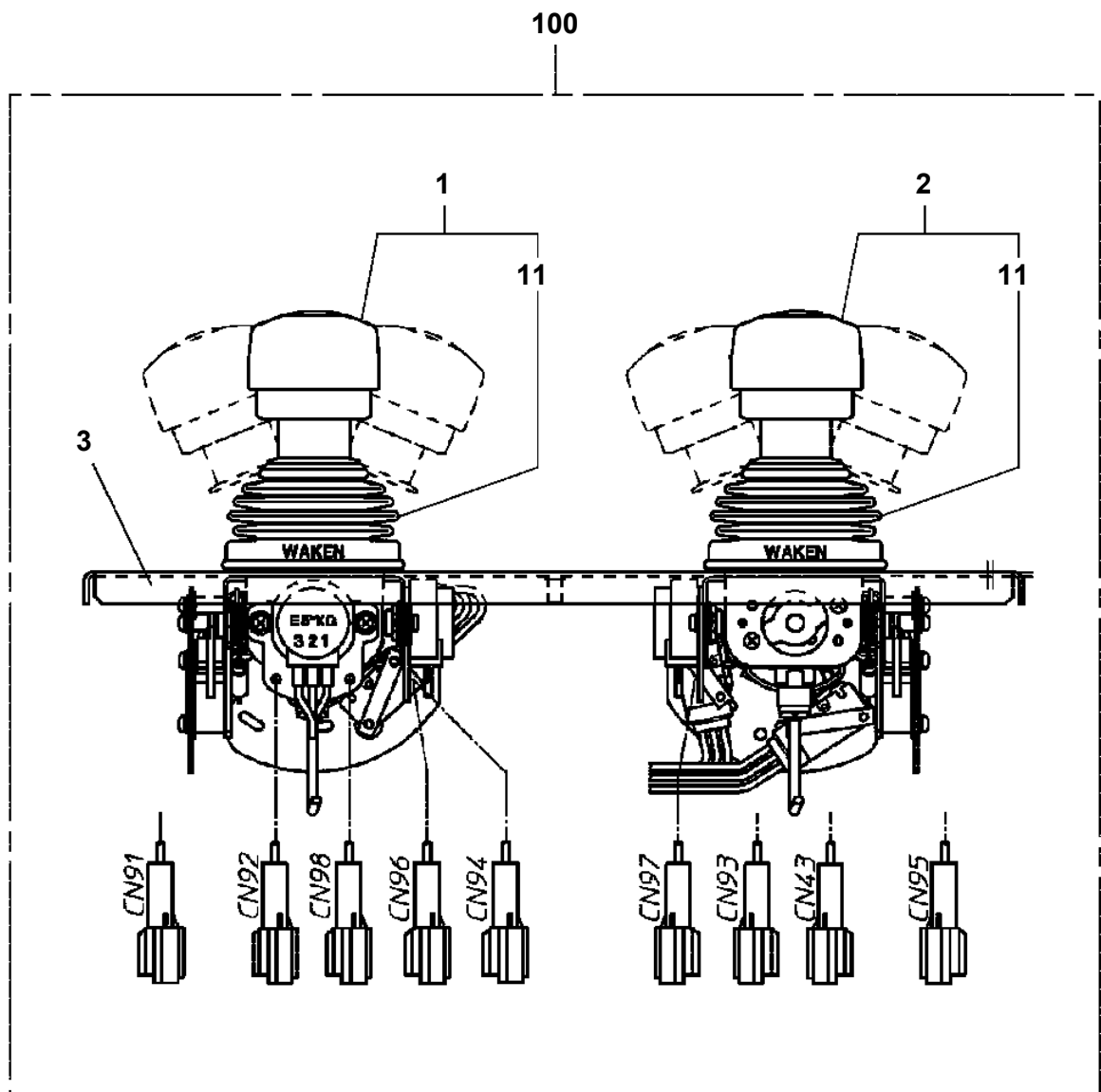


AT-100-5 42063540901 UPPER,LOWER,ISUZU TPG-NKR85AN-EE5AHY
PJ5090039-00 JOINT ASSY,SWIVEL

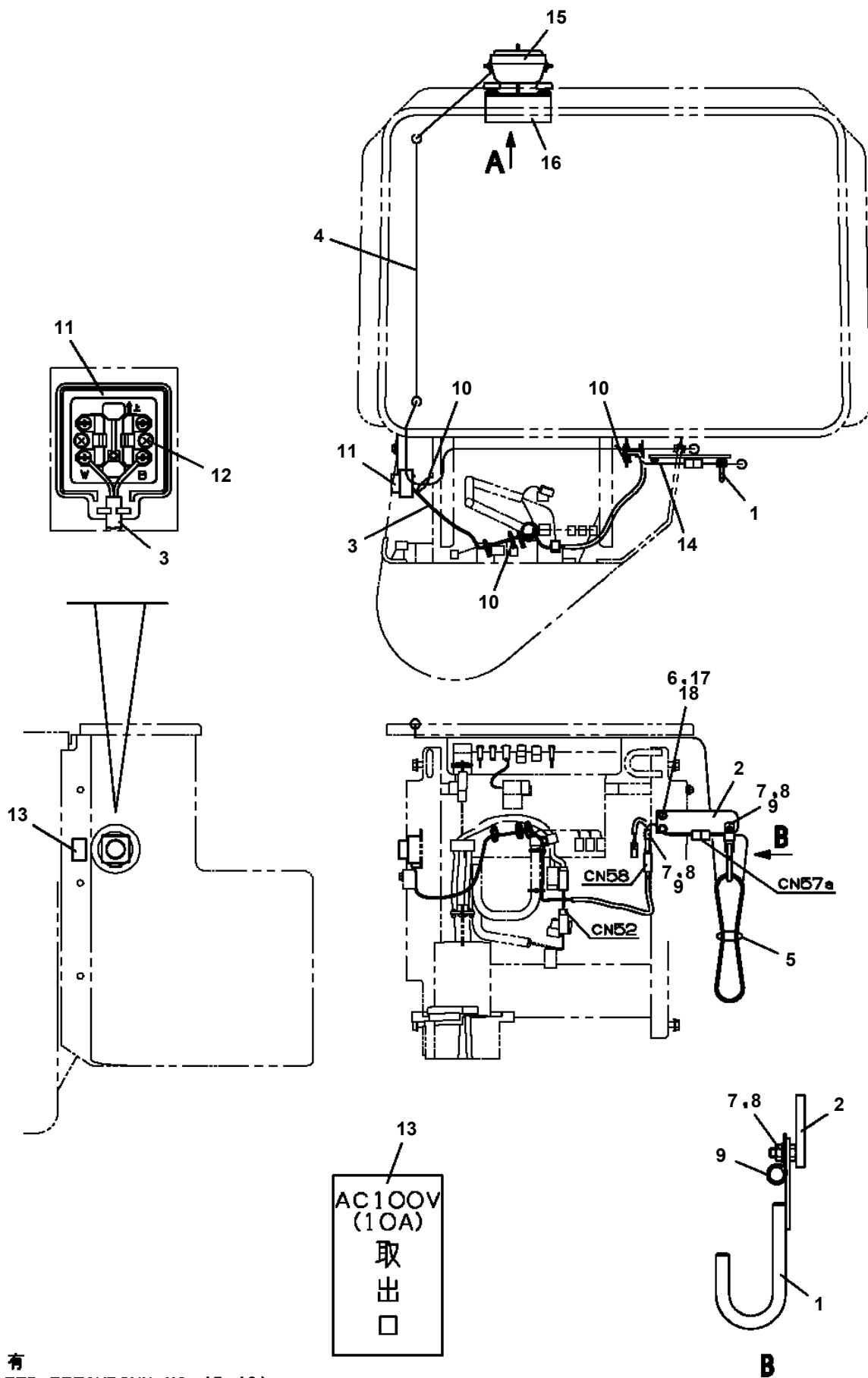
100



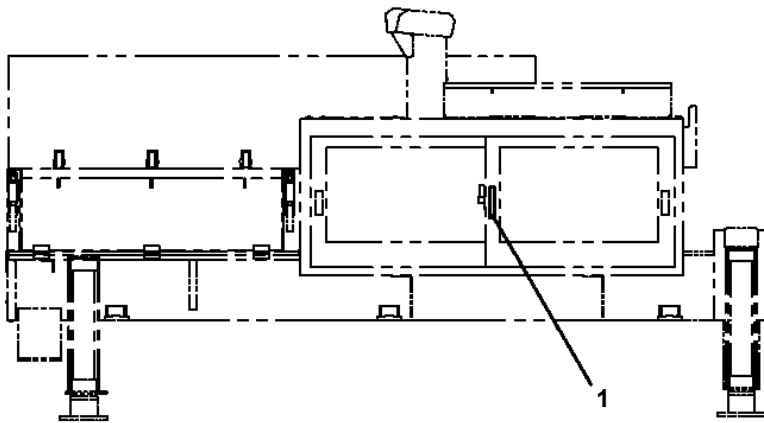
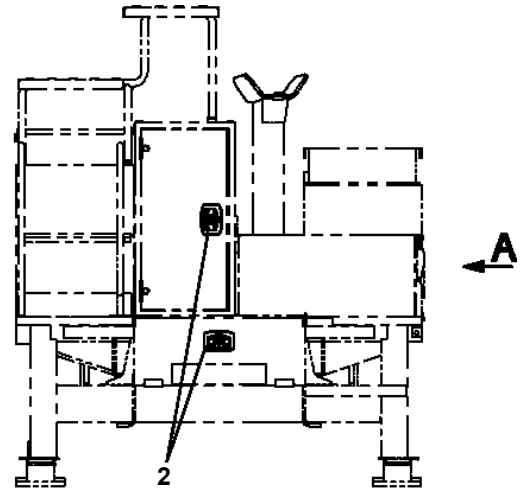
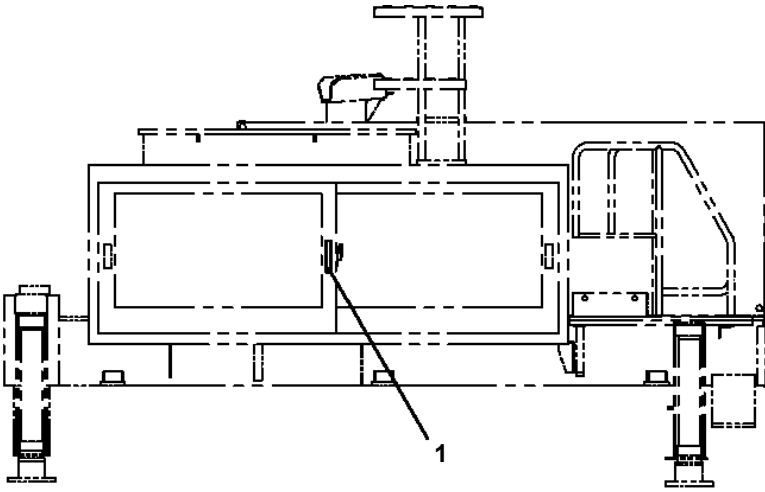
AT-100-5 42063540901 UPPER,LOWER,ISUZU TPG-NKR85AN-EE5AHY
PL1920106-00 OPE.ASSY



AT-100-5 42063540901 UPPER,LOWER,ISUZU TPG-NKR85AN-EE5AHY
 PL5140014-00 LAMP ASSY,WORKING (BUCKET/100V,2POLES,LED)

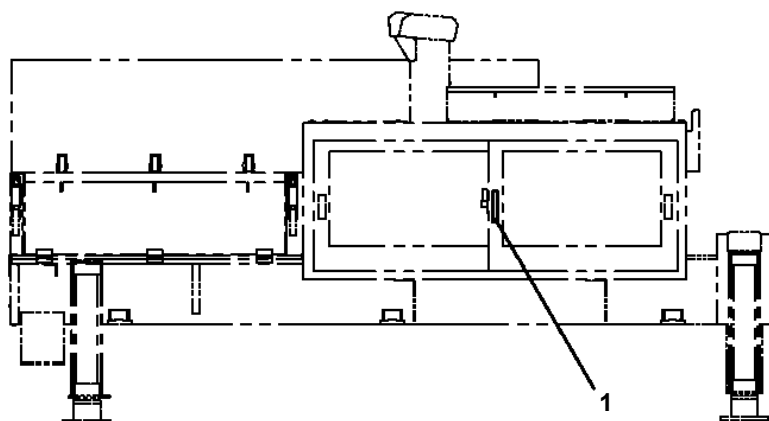
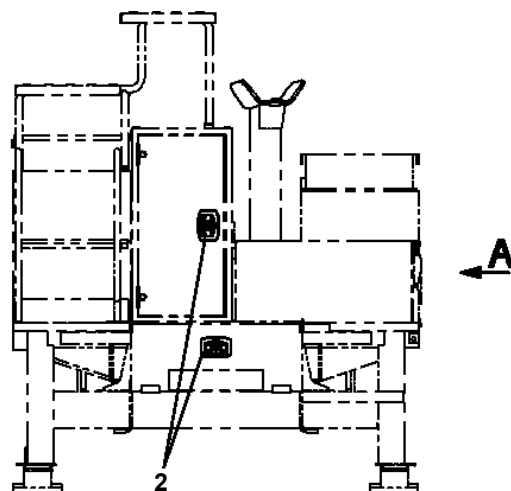
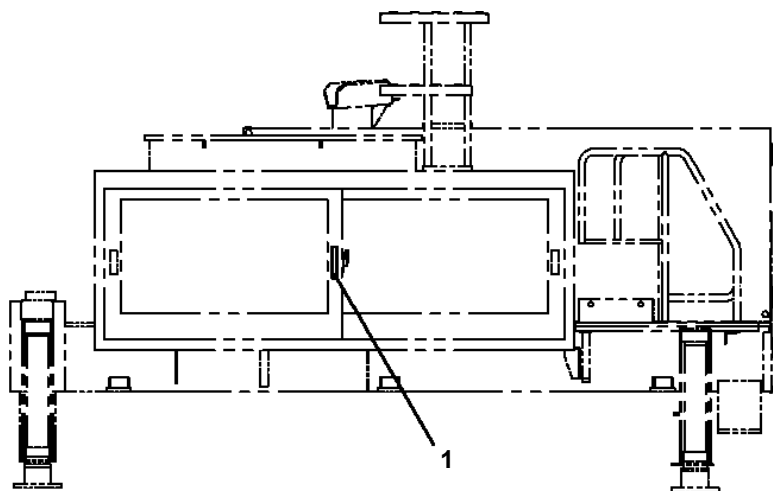


AT-100-5 42063540901 UPPER,LOWER,ISUZU TPG-NKR85AN-EE5AHY
PL5270044-00 LOCK ASSY (KEY NO.2)



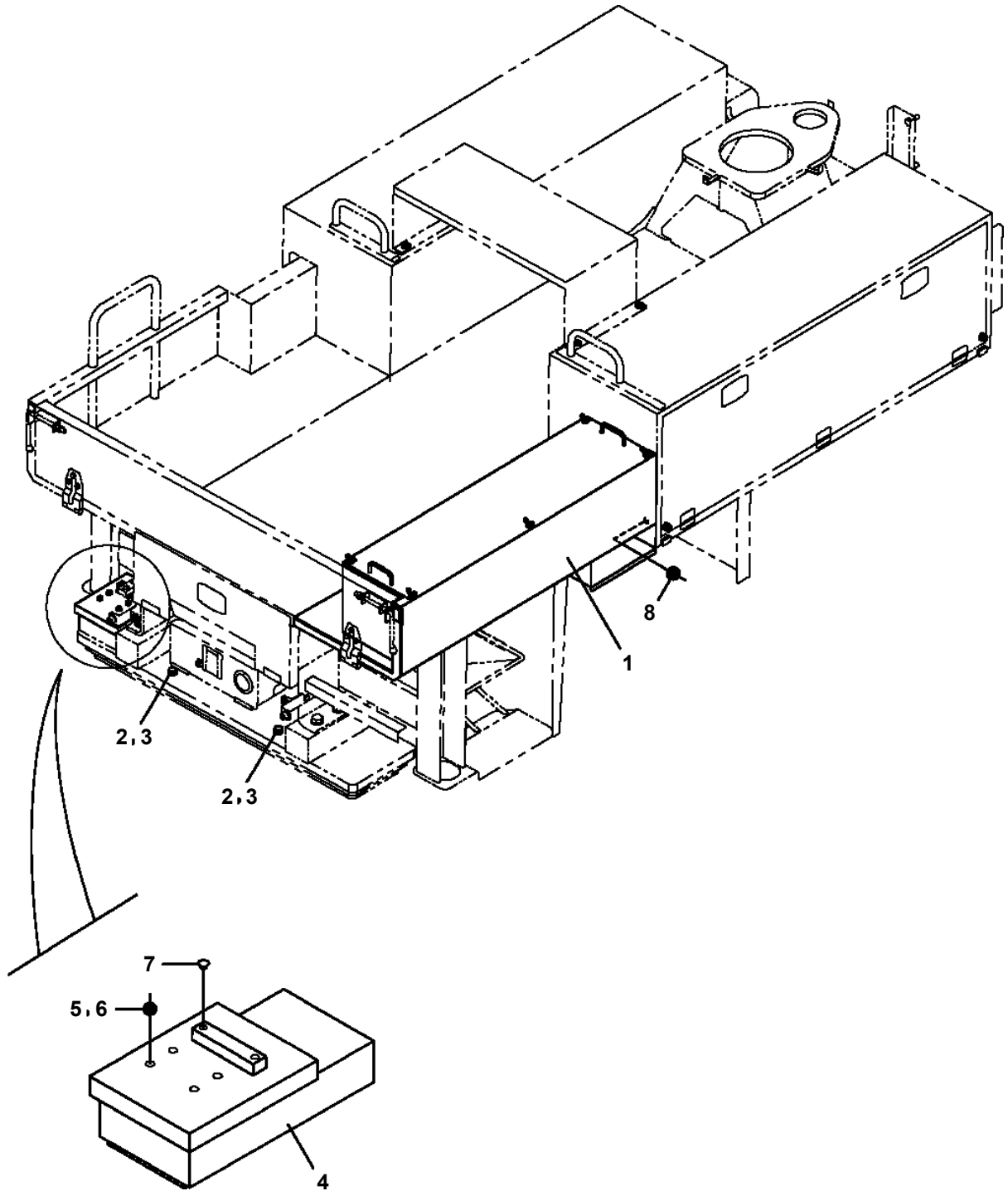
A

AT-100-5 42063540901 UPPER,LOWER,ISUZU TPG-NKR85AN-EE5AHY
PL5270049-00 LOCK ASSY (KEY NO.7)

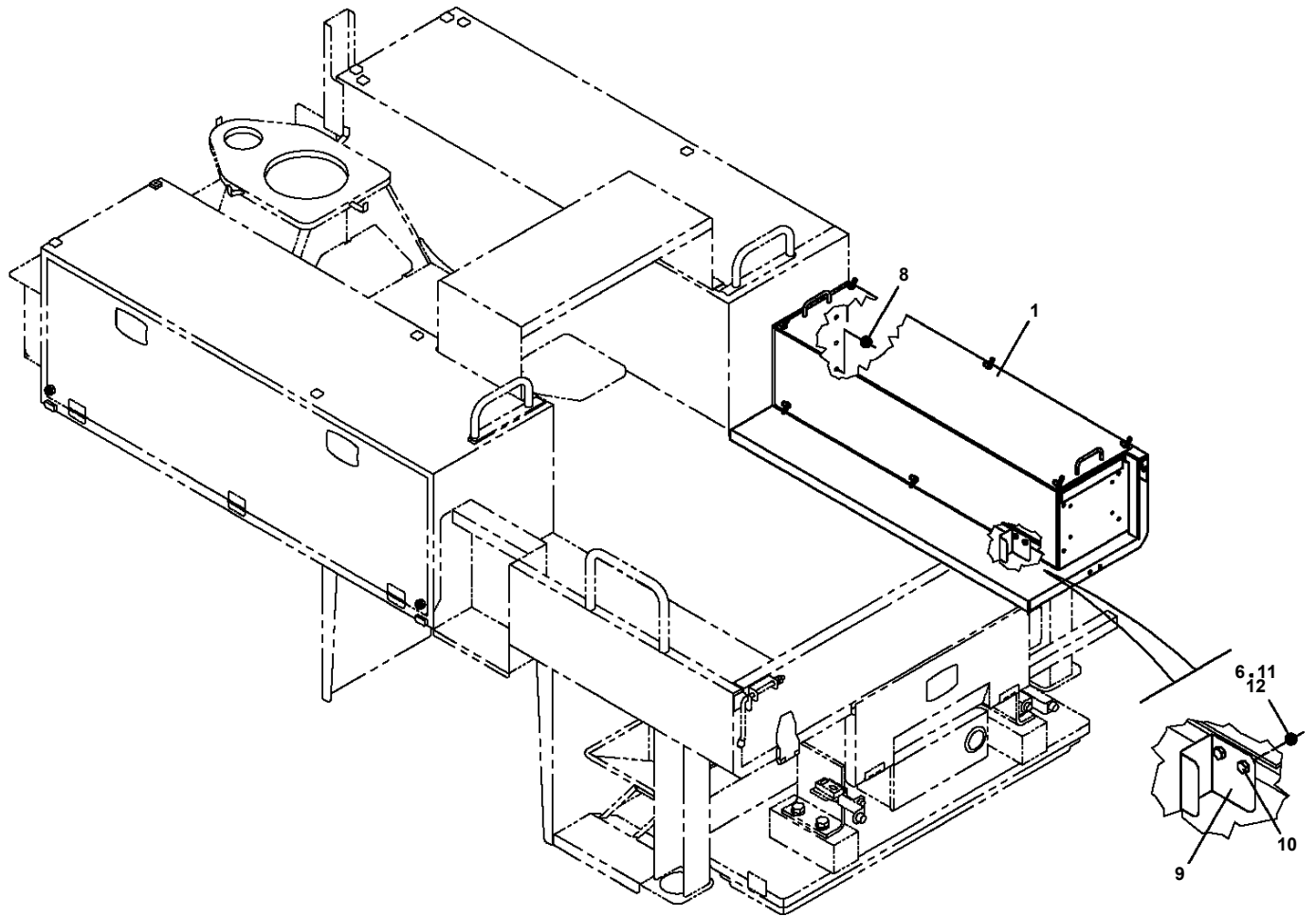


A

AT-100-5 42063540901 UPPER,LOWER,ISUZU TPG-NKR85AN-EE5AHY
PM5150479-00 MODIFICATION ASSY



**AT-100-5 42063540901 UPPER,LOWER,ISUZU TPG-NKR85AN-EE5AHY
PM5150700-00 MODIFICATION ASSY (FENDER EXCHANGE)**



AT-100-5 42063540901 UPPER,LOWER,ISUZU TPG-NKR85AN-EE5AHY

Pos No.	Parts No	Parts Name	Qty	Unit	Technical Data	Serial No (Start)	Serial No (End)	Remarks
1	42502382100	HARNESS	1					
2	42350250070	PLUG (2 POLES,MALE)	1					
3	42433330020	PLUG (2 POLES,FEMALE)	1					
4	91810130240	FASTENER	1					

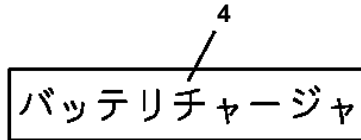
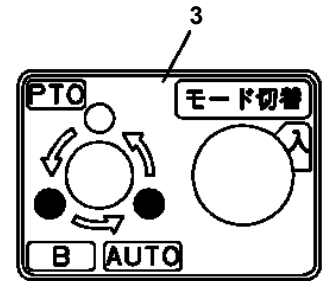
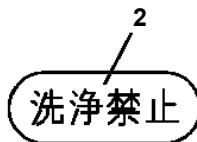
AT-100-5 42063540901 UPPER,LOWER,ISUZU TPG-NKR85AN-EE5AHY

Pos No.	Parts No	Parts Name	Qty	Unit	Technical Data	Serial No (Start)	Serial No (End)
6	82105220286	SWITCH,TOGGLE	3				
50	42651591300	SWITCH ASSY (WITH HARNESS,3 SW)	1				

AT-100-5 42063540901 UPPER,LOWER,ISUZU TPG-NKR85AN-EE5AHY

Pos No.	Parts No	Parts Name	Qty	Unit	Technical Data	Serial No (Start)	Serial M
1	42397672010	PLATE,NAME (AT-100TT)	1				
	42397672010	PLATE,NAME (AT-100TT)	1				
2	37002202030	PLATE,NAME	1				
	37002202030	PLATE,NAME	1				
3	42394511010	PLATE,CAUTION	2				
	42394511010	PLATE,CAUTION	2				
4	42590601010	PLATE,NAME	1				
	42590601010	PLATE,NAME	1				
5	42590801010	PLATE,NAME (AMC PREOPERATION CHECK)	1				
	42590801010	PLATE,NAME (AMC PREOPERATION CHECK)	1				

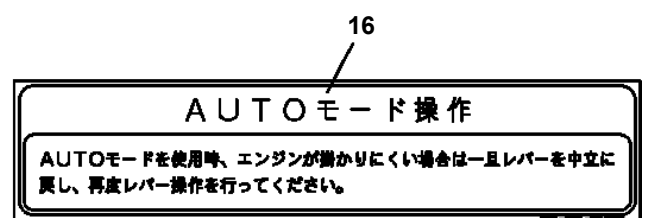
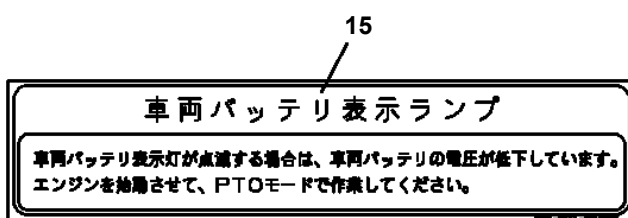
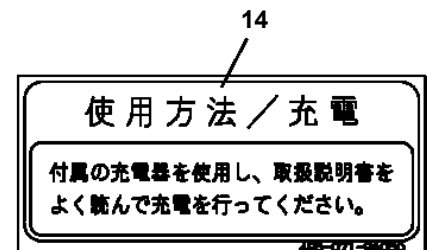
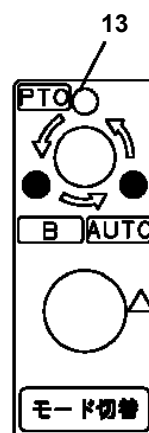
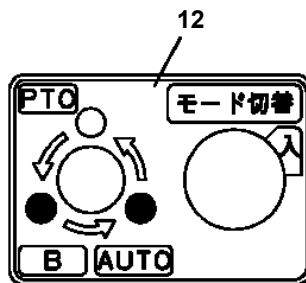
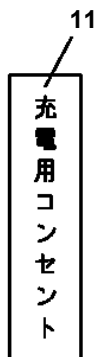
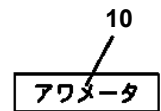
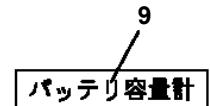
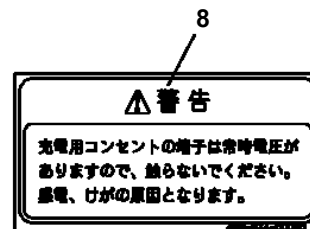
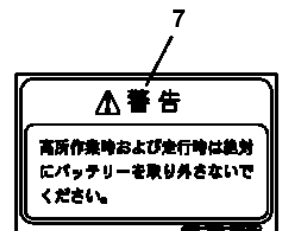
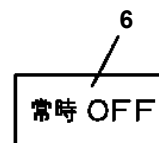
AT-100-5 42063540901 UPPER,LOWER,ISUZU TPG-NKR85AN-EE5AHY
PN5010783-00 NAME PLATE ASSY (VEHICLE)



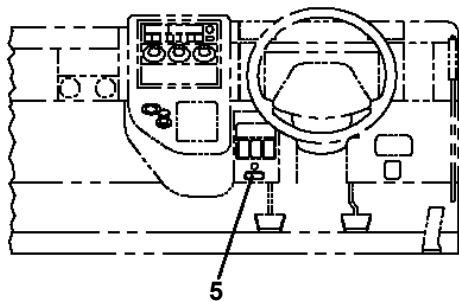
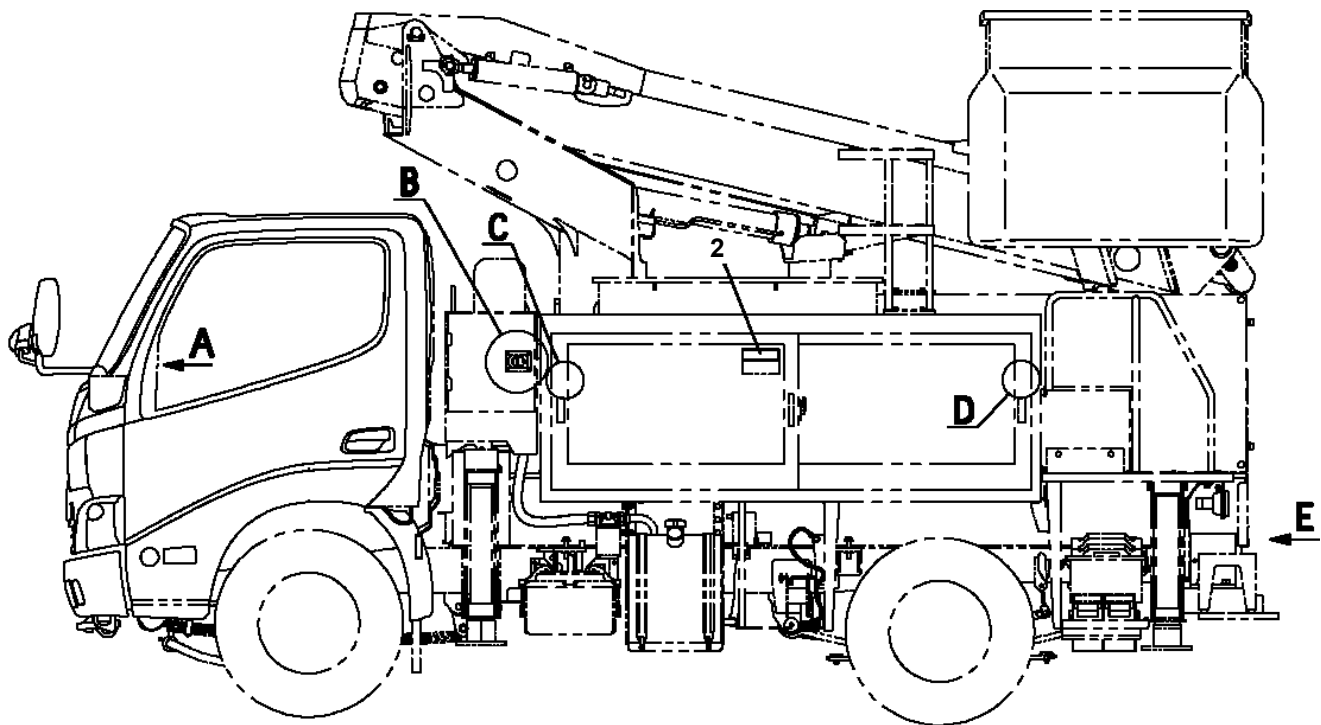
5

使用方法 / バッテリー・オートモード

モード	バッテリー (B)	オート (AUTO)	PTO
駆動方式	電動モータ	電動モータ + 自動停機 エンジン	エンジン
ランプ状態	● 赤色点灯 (通常状態)	● 赤色点灯 (通常状態)	○ 点灯
	★ 赤色点灯 バッテリーの残量が少ない ため使用できません。 オートモードまたは PTOモードに移行させて 使用してください。	★ 赤色点灯 バッテリーの残量が少ない ため使用できません。 PTOモードに移行させて 使用してください。	
	★ 赤色・赤色の早い時短点灯 モータの温度が上昇しているため使用できません。 PTOモードに移行させて使用してください。		

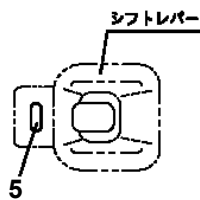


AT-100-5 42063540901 UPPER,LOWER,ISUZU TPG-NKR85AN-EE5AHY
 PN5011063-00 NAME PLATE ASSY (TOOL BOX CENTRAL LOCK)

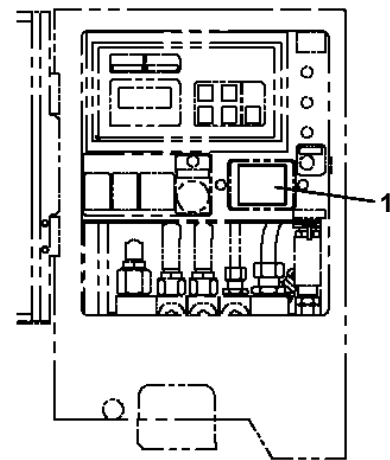


(三菱車の場合)

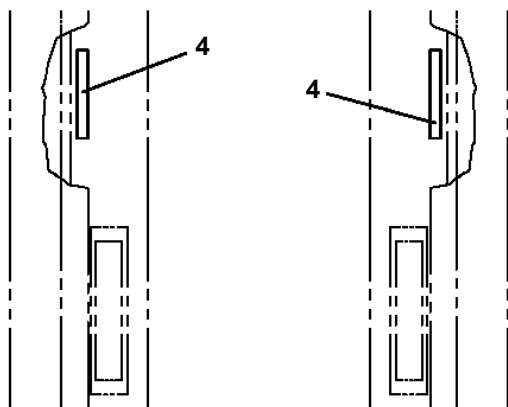
A



(いすゞ、日野車の場合)

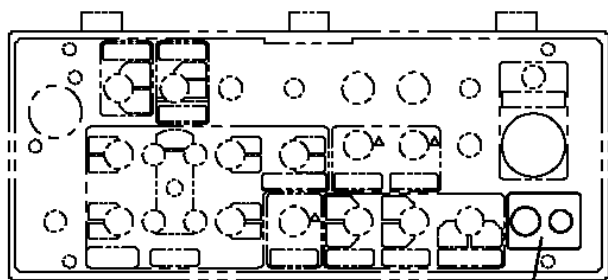


B
 (扉を開いた状態)



C

D



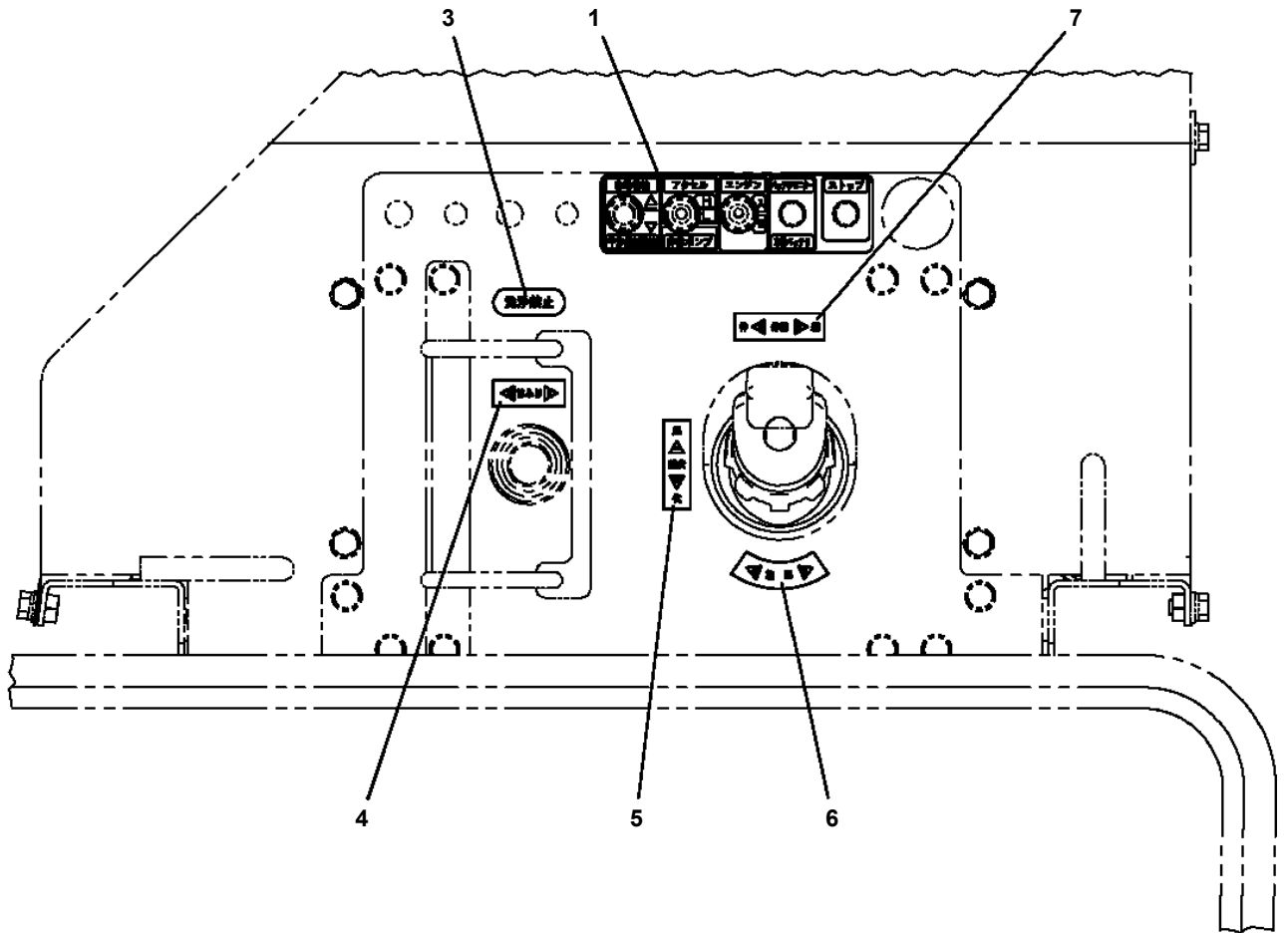
E
 (扉を開いた状態)

3

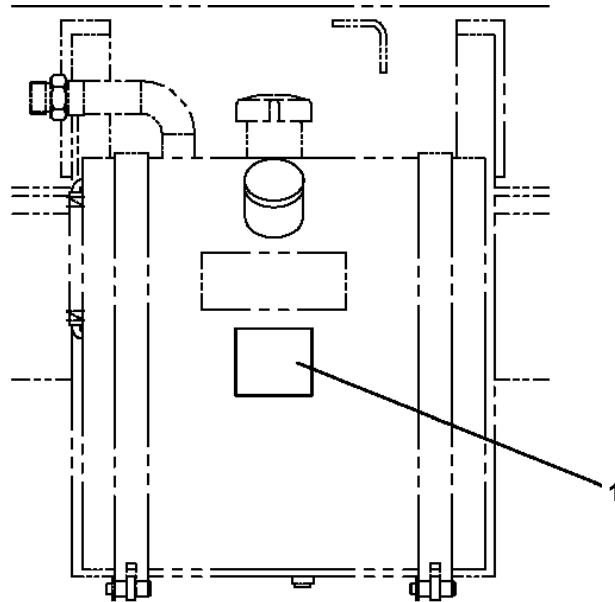
AT-100-5 42063540901 UPPER,LOWER,ISUZU TPG-NKR85AN-EE5AHY

Pos No.	Parts No	Parts Name	Qty	Unit	Technical Data	Serial No (Start)	Serial No (End)	Remarks	Pages
1	42590601010	PLATE,NAME	1						


**AT-100-5 42063540901 UPPER,LOWER,ISUZU TPG-NKR85AN-EE5AHY
PN5011701-00 NAME PLATE ASSY (CONTROL PANEL)**



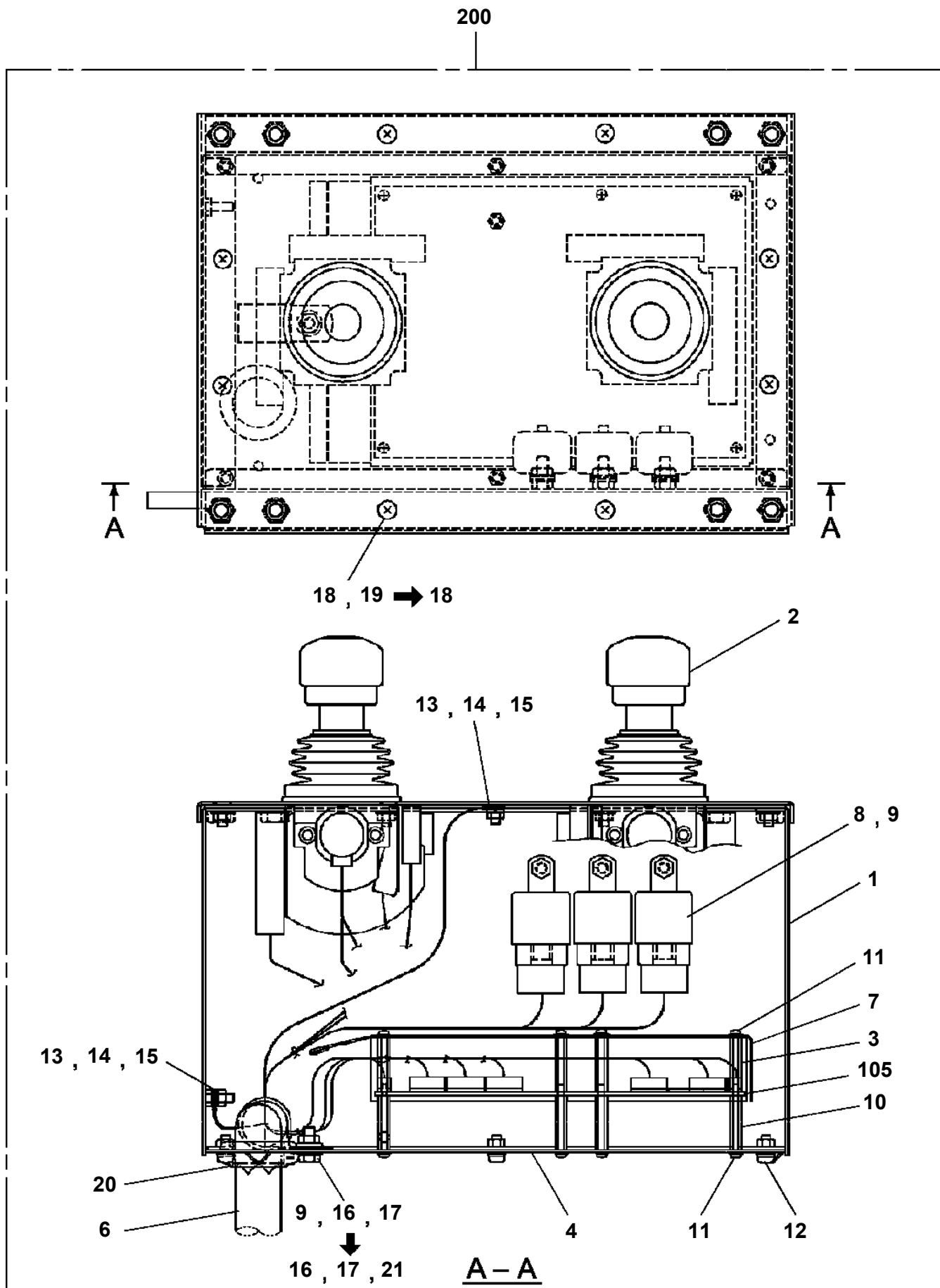
AT-100-5 42063540901 UPPER,LOWER,ISUZU TPG-NKR85AN-EE5AHY
PO1013121-01 PLATE ASSY,NAME (HYDRAULIC OIL)



1

 注 意
<p>・ポンプの換付等により重大な故障の原因となるので、 "作動油"または"油圧ポンプ"を交換したときは、 必ず油圧ポンプのエア抜きを行ってください。 ・油量は、必ず全行実測で確認してください。</p>
純正作動油
タダノハイドロリックオイル LL
<small>370-022-17330-2</small>

AT-100-5 42063540901 UPPER,LOWER,ISUZU TPG-NKR85AN-EE5AHY
PO5010015-01 OPE.ASSY



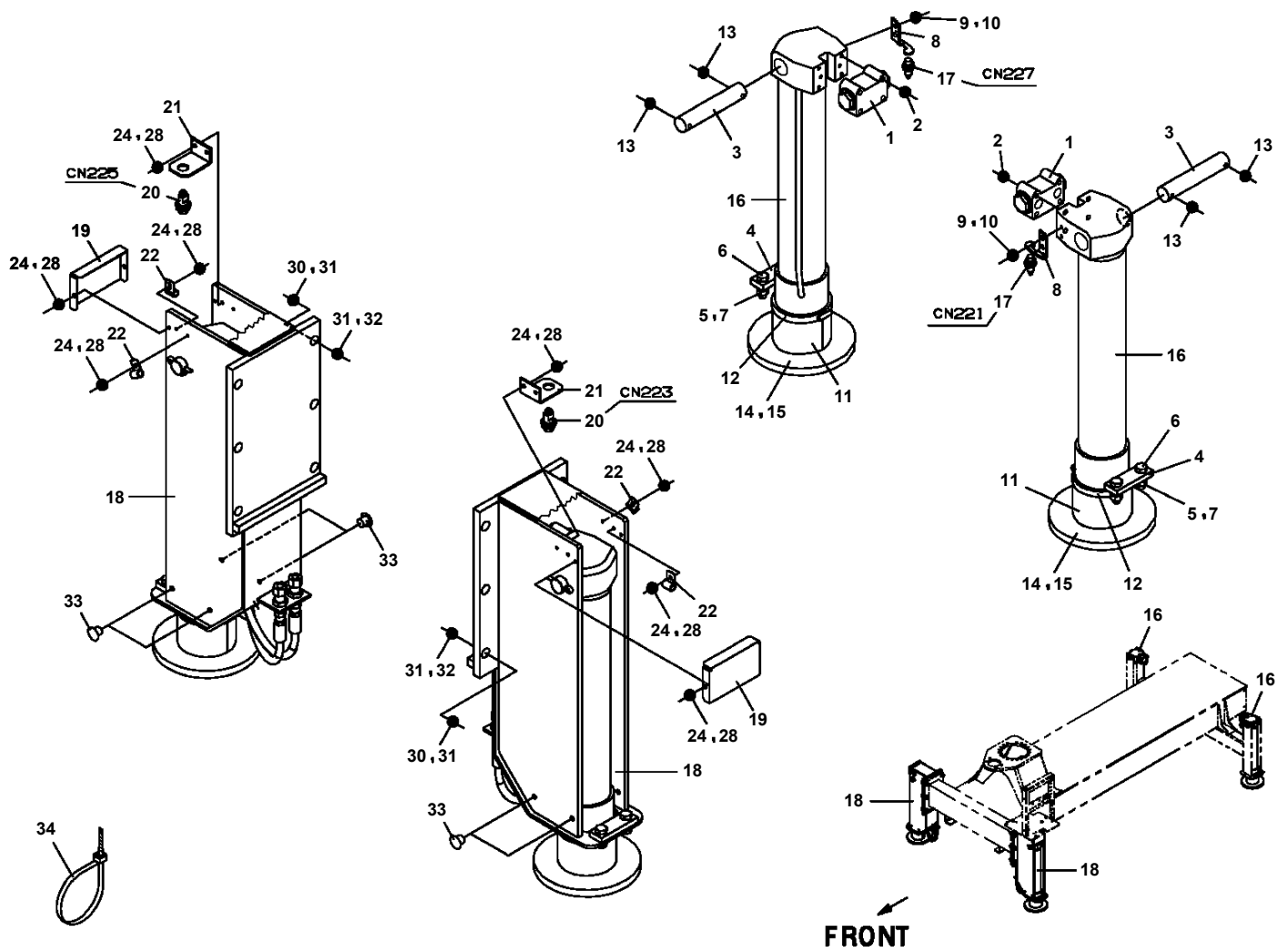
AT-100-5 42063540901 UPPER,LOWER,ISUZU TPG-NKR85AN-EE5AHY

Pos No.	Parts No	Parts Name	Qty	Unit	Technical Data	Serial No (Start)	Serial No (End)
1	42333471101	PANEL	1				
2	42332892002	OPE.ASSY	1				
3	42809631200	LAMP ASSY (RED,WITH HARNESS)	1				
4	42332521300	SWITCH ASSY (WITH HARNESS)	1				
5	82100002014	CLAMP	1		WR20		
6	42333461100	SWITCH ASSY (WITH HARNESS,3 SW)	1				
7	80192488020	SCREW,MACHINE	10		M8X20		
8	42333471300	GUARD	1				
9	82199514013	CAP	2				
10	82199504017	NUT	3		AT-401N		
11	37000714020	CLAMP ASSY	1		12X2		
12	82100002012	CLAMP	1		WR18		
13	90280200600	NUT,FLANGE	1		M6		
14	91810130240	FASTENER	10				
15	42333081100	HARNESS	1				
16	42900001200	COVER	1				
17	42350250150	PLUG (6 POLES,MALE)	1				
18	42350250090	PLUG (4 POLES,MALE)	1				
19	42350250080	PLUG (3 POLES,MALE)	2				
20	82467300103	PLUG	2				
21	82467300105	PLUG	2				
22	42653673200	LAMP ASSY (GREEN,WITH HARNESS)	1				
23	82199504064	CAP	1				
24	82199504018	WASHER	3				
25	91810132530	FASTENER	2				
41	42355641010	COVER	1				
51	42355641210	BUTTON	1				

AT-100-5 42063540901 UPPER,LOWER,ISUZU TPG-NKR85AN-EE5AHY

Pos No.	Parts No	Parts Name	Qty	Unit	Technical Data	Serial No (Start)	Serial No (End)
1	42333791100	PANEL	1				
2	42333202002	OPE.ASSY	1				
3	42809631200	LAMP ASSY (RED,WITH HARNESS)	1				
4	42332521300	SWITCH ASSY (WITH HARNESS)	1				
5	82100002014	CLAMP	1		WR20		
6	42333461100	SWITCH ASSY (WITH HARNESS,3 SW)	1				
7	80192488020	SCREW,MACHINE	10		M8X20		
8	42333791200	GUARD	1				
9	82199514013	CAP	2				
10	82199504017	NUT	3		AT-401N		
11	37000714020	CLAMP ASSY	1		12X2		
12	82100002012	CLAMP	1		WR18		
13	90280200600	NUT,FLANGE	1		M6		
14	91810130240	FASTENER	10				
15	42333081100	HARNESS	1				
16	42900001200	COVER	1				
17	42350250150	PLUG (6 POLES,MALE)	1				
18	42350250090	PLUG (4 POLES,MALE)	1				
19	42350250080	PLUG (3 POLES,MALE)	2				
20	82467300103	PLUG	2				
21	82467300105	PLUG	2				
22	42653673200	LAMP ASSY (GREEN,WITH HARNESS)	1				
23	82199504064	CAP	1				
24	82199504018	WASHER	3				
25	91810132530	FASTENER	2				
26	44350230400	PLUG (8 POLES,MALE)	1				
27	44330253010	PLUG (12 POLES,MALE)	1				
28	37002709630	HARNESS	1				
29	42332521500	HARNESS	1				
30	90201200600	NUT	2		M6		
31	90302040601	WASHER,SPRING	2		6		
32	90303070601	WASHER,PLAIN	2		6		
59	42355641010	COVER	1				
71	42355641210	BUTTON	1				

AT-100-5 42063540901 UPPER,LOWER,ISUZU TPG-NKR85AN-EE5AHY PO5270219-00 OUTRIGGER ASSY (VERTICAL JACK)



**AT-100-5 42063540901 UPPER,LOWER,ISUZU TPG-NKR85AN-EE5AHY
PP5330024-00 POWER SUPPLY ASSY (HYBRID SYSTEM,3 MODE,WITH FAN)**

パワーサブライASSY (ハイブリッドシステム,3モード,ファン付き)
POWER SUPPLY ASSY (HYBRID SYSTEM,3 MODE,WITH FAN)

後端ウエイト241kg仕様用ハイブリッドシステム

指示番号 KEY NO.	部品名称 PART NAME	備考 REMARK
1	ハイカンASSY PIPING ASSY	
2	ハイセンASSY ELEC.ASSY	
3	ハイセンASSY,バケツ ELEC.ASSY,BUCKET	
4	マウントASSY MOUNT ASSY	
5	バッテリーチャージャー BATTERY CHARGER	充電器 GSユアサ
6	ネームプレートASSY NAME PLATE ASSY	
7	カイソウASSY MODIFICATION ASSY	フェンダ交換
8	マウントASSY,ウエイト MOUNT ASSY,WEIGHT	後端ウエイト交換 241kg→197kg

適用製造番号によっては取り付けがないものもあります。

MACHINES OF SOME SERIAL NO. ARE NOT EQUIPPED WITH THESE PARTS.

AT-100-5 42063540901 UPPER,LOWER,ISUZU TPG-NKR85AN-EE5AHY

Pos No.	Parts No	Parts Name	Qty	Unit	Technical Data	Serial No (Start)	Serial No (End)
1	42508701010	PLATE,NAME (AC100V,FUSE,15A)	1				
2	42474471150	HOLDER ASSY(FUSE,WITH HARNESS)	2				HK0880
	42501481100	HOLDER ASSY(FUSE,WITH HARNESS)	2			HK0881	
3	42654790300	BOX ASSY	1				
4	42477640090	PLATE,NAME (AC100V)	1				
5	90180208025	BOLT,BUTTON	2		M8X25		
6	90240200800	NUT,CAP	2		M8		
7	90302040801	WASHER,SPRING	6		8		
8	90303070801	WASHER,PLAIN	2		8		
9	42508701400	SUPPORT	1				
10	90101208012	BOLT	4		M8X12		
11	91810132530	FASTENER	1				
32	82100001348	FUSE	2		15A,6.5X30		

AT-100-5 42063540901 UPPER,LOWER,ISUZU TPG-NKR85AN-EE5AHY

Pos No.	Parts No	Parts Name	Qty	Unit	Technical Data	Serial No (Start)	Serial No (End)	Remarks
1	36654815010	MOTOR ASSY	1					
3	36654815020	CAP	1					
5	36654815030	BOLT,HEXAGON SOCKET	2					
6	36654815040	WASHER,PLAIN	4					
7	36654815050	NUT	2					
8	36652025040	O-RING	1		S55			
9	36652625030	VALVE,CHECK	1					
10	36653405050	PUMP ASSY	1					
97	36652665060	O-RING	1		P8			
99	36652665050	O-RING	1		P14			
102	36654115020	CONTACTOR	1					
103	36654815060	BRUSH ASSY	4					
113	19215105160	SEAL,OIL	1					
114	36652665020	RING,RETAINING	1					
500	36654810000	PUMP ASSY,OIL	1					

AT-100-5 42063540901 UPPER,LOWER,ISUZU TPG-NKR85AN-EE5AHY

Pos No.	Parts No	Parts Name	Qty	Unit	Technical Data	Serial No (Start)	Serial No (End)	Remarks	P
1	37000711010	CLAMP ASSY	1		18X1				
2	37005700020	CLAMP	11		12X2				
5	80303130161	FITTING,ELBOW	2		KLO12-030E				
6	80306010105	NUT	4		KKN12-000E				
7	91810132530	FASTENER	3						
8	90280200800	NUT,FLANGE	9		M8				
9	80400160127	JOINT	2						
10	91002801100	O-RING	2		1B P11				
11	36672460000	FILTER (NIPPLE TYPE)	2						
12	80309010105	SLEEVE	4		KK012-000E				
13	37002402530	HOSE	4		L=530				
14	37000601630	CLAMP	1		65				
15	80400160190	JOINT (WITH O-RING)	1						
16	91803600160	CLIP	2		D=11-16				
17	80301010100	FITTING	4		KUA12-000N				
18	37002500480	HOSE	1		L=1450				
19	82100001804	TUBE,CORRUGATE	1	M	15				
20	81408000241	PIPE,STEEL	2	M	18X1.9T				
21	81408000241	PIPE,STEEL	1	M	18X1.9T				
22	81408000210	PIPE,STEEL	1	M	15X2.0T				
23	81408000210	PIPE,STEEL	1	M	15X2.0T				
24	81408000160	PIPE,STEEL	2	M	12X1.4T				
25	81408000160	PIPE,STEEL	2	M	12X1.4T				
26	81408000160	PIPE,STEEL	1	M	12X1.4T				
27	81408000160	PIPE,STEEL	3	M	12X1.4T				
28	81408000160	PIPE,STEEL	1	M	12X1.4T				
29	81408000160	PIPE,STEEL	3	M	12X1.4T				
30	81408000160	PIPE,STEEL	3	M	12X1.4T				
31	81408000160	PIPE,STEEL	3	M	12X1.4T				
32	81408000160	PIPE,STEEL	2	M	12X1.4T				
33	81408000160	PIPE,STEEL	3	M	12X1.4T				
34	81408000160	PIPE,STEEL	3	M	12X1.4T				
35	81408000160	PIPE,STEEL	3	M	12X1.4T				
36	81408000210	PIPE,STEEL	1	M	15X2.0T				
37	81408000160	PIPE,STEEL	2	M	12X1.4T				
38	81408000160	PIPE,STEEL	2	M	12X1.4T				
61	42649810100	JOINT	1						
62	80302090201	FITTING	1		KCO15-040N				
63	91002801800	O-RING	3		1B P18				
64	80430620400	JOINT	1						
65	80303130201	FITTING,ELBOW	1		KLO15-040E				
66	80302090241	FITTING	1		KCO18-040N				
71	91002801400	O-RING	2		1B P14				
81	91002801100	O-RING	4		1B P11				

AT-100-5 42063540901 UPPER,LOWER,ISUZU TPG-NKR85AN-EE5AHY

Pos No.	Parts No	Parts Name	Qty	Unit	Technical Data	Serial No (Start)	Serial No (End)	Remarks
1	42654793200	SUPPORT	2					
2	34354781710	RELAY (WITH BRACKET)	9					
3	90302040801	WASHER,SPRING	4		8			
4	90101206010	BOLT	15		M6X1.0			
5	80197585012	SCREW,MACHINE	1		M5X12			
6	90303070301	WASHER,PLAIN	8		3			
7	82161324080	RELAY	1					
8	34354781730	RELAY	1					
9	42950564100	RELAY ASSY	1					
10	42651132400	RELAY ASSY	1					
11	80192483010	SCREW,MACHINE	4		M3X10			
12	82161300010	RELAY	1					
13	90172108020	BOLT,HEXAGON SOCKET	4		M8X20			
14	91810132530	FASTENER	5					
15	42654874101	TERMINAL ASSY	1					
16	34354781720	RELAY (WITH HARNESS)	2					
17	34354781740	RELAY	1					
18	90302040601	WASHER,SPRING	15		6			

AT-100-5 42063540901 UPPER,LOWER,ISUZU TPG-NKR85AN-EE5AHY

Pos No.	Parts No	Parts Name	Qty	Unit	Technical Data	Serial No (Start)	Serial No (End)	Remarks	Pages
1	42972630100	SUPPORT	1						
2	90101210020	BOLT	2		M10X20				
3	90302041001	WASHER,SPRING	3		10				
4	90101210030	BOLT	1		M10X30				
5	90303071001	WASHER,PLAIN	3		10				
6	90201201000	NUT	1		M10				
7	42972640200	SUPPORT	1						

AT-100-5 42063540901 UPPER,LOWER,ISUZU TPG-NKR85AN-EE5AHY

Pos No.	Parts No	Parts Name	Qty	Unit	Technical Data	Serial No (Start)	Serial No (End)	Remarks	Pages
1	42972961000	SUPPORT ASSY	1						
2	90101210020	BOLT	2		M10X20				
3	90302041001	WASHER,SPRING	3		10				
4	90101210030	BOLT	1		M10X30				
5	90303071001	WASHER,PLAIN	3		10				
6	90201201000	NUT	1		M10				
7	42972640200	SUPPORT	1						
21	42971191200	SUPPORT	1						
22	37000127600	PIN	2						
23	80136350036	PIN,SPLIT	4		5X36				
24	42737771500	SUPPORT	1						
25	37001110060	ROLLER	2						
26	42737771400	SUPPORT	1						
27	90101208018	BOLT	2		M8X18				
28	80824003540	BEARING,PLAIN	1						
29	42972961100	SUPPORT	1						
30	90101210016	BOLT	2		M10X16				
31	90302040801	WASHER,SPRING	2		8				
32	42737771300	PIN	1						
33	90303072001	WASHER,PLAIN	8		20				
34	90302041001	WASHER,SPRING	2		10				

AT-100-5 42063540901 UPPER,LOWER,ISUZU TPG-NKR85AN-EE5AHY

Pos No.	Parts No	Parts Name	Qty	Unit	Technical Data	Serial No (Start)	Serial No (End)	Remarks	Pages
1	42973353101	SUPPORT	1						
2	42973353200	COVER	2						
3	42973353301	SUPPORT	1						
4	42973353401	SUPPORT	1						
5	42973353500	COVER	1						
6	42973353601	SUPPORT	1						
7	42973353700	COVER	1						
8	90101206012	BOLT	16		M6X12				
9	90302040601	WASHER,SPRING	16		6				
10	90101208020	BOLT	8		M8X20				
11	90302040801	WASHER,SPRING	8		8				
12	90303070801	WASHER,PLAIN	8		8				
33	82400000202	GROMMET	2						
43	82400000201	GROMMET	2		KG-016				

AT-100-5 42063540901 UPPER,LOWER,ISUZU TPG-NKR85AN-EE5AHY

Pos No.	Parts No	Parts Name	Qty	Unit	Technical Data	Serial No (Start)	Serial No (End)	Remarks
1	42232281001	TABLE,SLEWING	1					
2	37000558530	PLATE	3		T=9			
3	90172110020	BOLT,HEXAGON SOCKET	8		M10X20			
4	90302041001	WASHER,SPRING	8		10			
5	82455106000	NIPPLE,GREASE	1		A-M6F FE			
6	37000187110	PIN	1					
7	37000535670	PLATE	1		T=9			
8	90171120035	BOLT	1		M20X35			
9	90302042001	WASHER,SPRING	1		20			
10	37000159250	PIN	1					
12	42231960010	PLATE	1		T=9			
13	37000159580	PIN	2					

AT-100-5 42063540901 UPPER,LOWER,ISUZU TPG-NKR85AN-EE5AHY

Pos No.	Parts No	Parts Name	Qty	Unit	Technical Data	Serial No (Start)	Serial No (End)	Remarks	Pa
1	82151800020	BATTERY CHARGER	1						
2	91850310405	CLAMP (BLACK)	1						
3	42508783510	CABLE ASSY	1		L=500				
4	42507123520	CABLE ASSY	1		8B,L=800				
5	42507123530	HARNESS	1						
6	37002711340	CABLE	1		L=700				
7	91810130240	FASTENER	1						
8	82100001803	TUBE,CORRUGATE	1	M	13				
100	42510161500	SWITCH ASSY	1						000

AT-100-5 42063540901 UPPER,LOWER,ISUZU TPG-NKR85AN-EE5AHY

Pos No.	Parts No	Parts Name	Qty	Unit	Technical Data	Serial No (Start)	S
1	42973990100	SUPPORT (7 DEGREES ANGLE METER MOUNTING)	1				

AT-100-5 42063540901 UPPER,LOWER,ISUZU TPG-NKR85AN-EE5AHY

Pos No.	Parts No	Parts Name	Qty	Unit	Technical Data	Serial No (Start)	Serial No (End)	R
1	91002801400	O-RING	2		1B P14			
100	36606450000	VALVE ASSY,COUNTERBALANCE	1					

AT-100-5 42063540901 UPPER,LOWER,ISUZU TPG-NKR85AN-EE5AHY

Pos No.	Parts No	Parts Name	Qty	Unit	Technical Data	Serial No (Start)	Serial No (End)	Remarks	Pages
1	42477661000	MAT	1						

AT-100-5 42063540901 UPPER,LOWER,ISUZU TPG-NKR85AN-EE5AHY

Pos No.	Parts No	Parts Name	Qty	Unit	Technical Data	Serial No (Start)	Serial No (End)	Remarks	Pages
1	42461681000	WEDGE (YELLOW)	1						

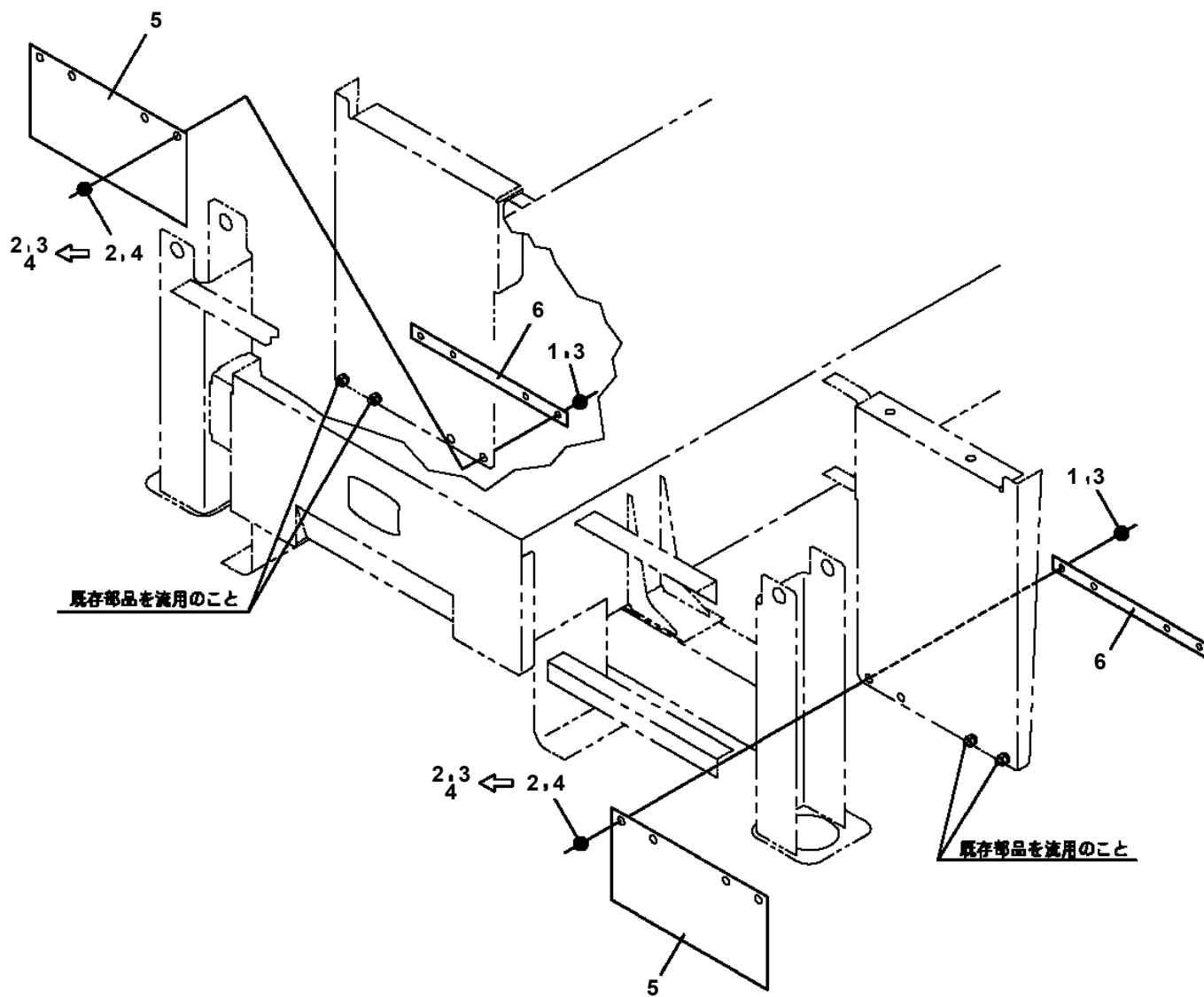
AT-100-5 42063540901 UPPER,LOWER,ISUZU TPG-NKR85AN-EE5AHY

Pos No.	Parts No	Parts Name	Qty	Unit	Technical Data	Serial No (Start)	Serial No (End)	Remarks	Pag
1	42971941100	FRAME	1						
2	42971941200	BOX	2						
3	42971121050	STOPPER	2						
4	82466188304	LOCK	2						
5	82460000500	CATCH	2						
6	80172804010	SCREW,MACHINE	8		M4X10				
7	90302510401	WASHER,SPRING	8		4				
8	90201500400	NUT	8		M4				
9	90101208018	BOLT	4		M8X18				
10	90302040801	WASHER,SPRING	4		8				
11	90303070801	WASHER,PLAIN	4		8				
12	90190206012	BOLT	8		M6X12				
13	90302510601	WASHER,SPRING (6)	8						
14	90303520601	WASHER,PLAIN	8		6				
15	42971941010	PLATE	8						
16	42971121030	STOPPER	2						
100	42971941000	BOX,TOOL	1						

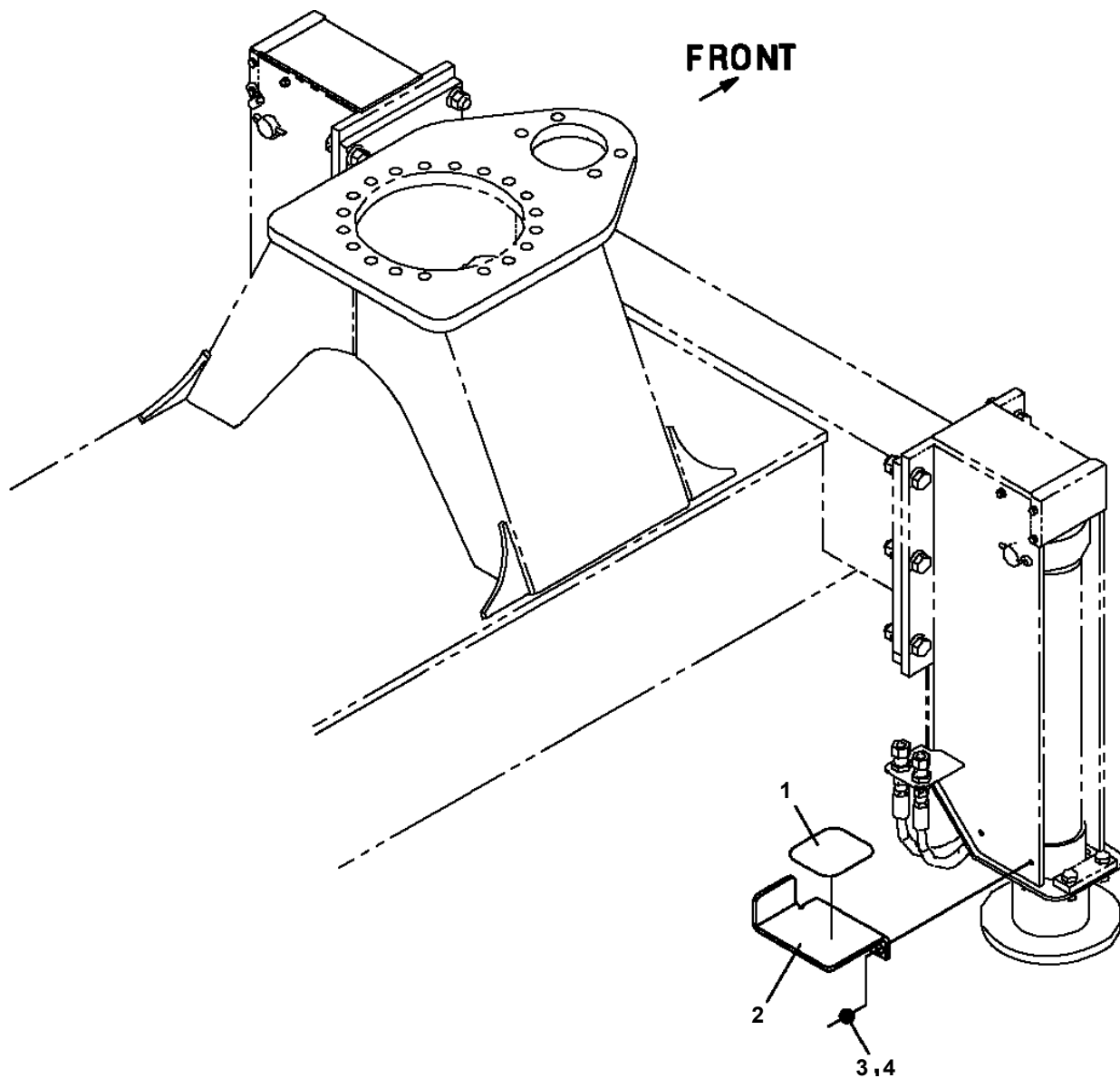
AT-100-5 42063540901 UPPER,LOWER,ISUZU TPG-NKR85AN-EE5AHY

Pos No.	Parts No	Parts Name	Qty	Unit	Technical Data	Serial No (Start)	Serial No (End)	Remarks	Pages
1	42736810100	SUPPORT	1						
2	37000510240	PLATE	4						
3	90101210020	BOLT	4		M10X20				
4	90302041001	WASHER,SPRING	4		10				
7	90280200600	NUT,FLANGE	1		M6				
8	90186206016	BOLT,FLANGE	1		M6X16				
9	82400000575	CHAIN	1	M			HK1113		

AT-100-5 42063540901 UPPER,LOWER,ISUZU TPG-NKR85AN-EE5AHY
PX5430024-01 MOUNT ASSY, GUARD



**AT-100-5 42063540901 UPPER,LOWER,ISUZU TPG-NKR85AN-EE5AHY
PX5670035-00 MOUNT ASSY,STEP (RIGHT-FRONT JACK)**

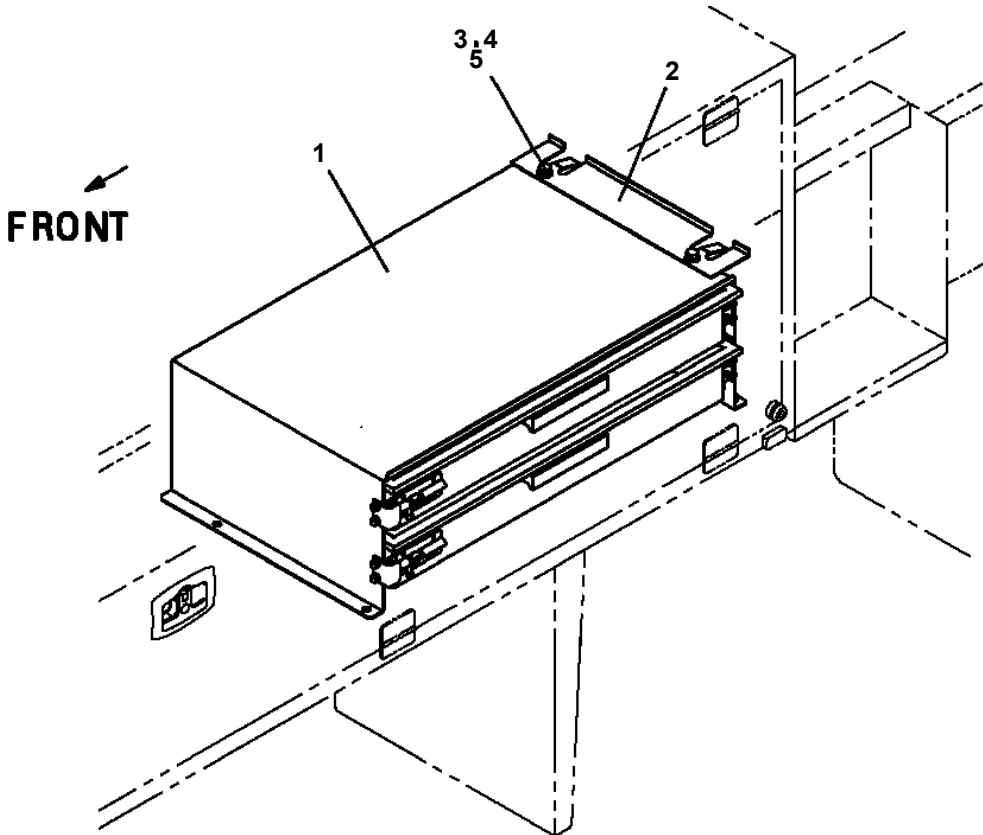


AT-100-5 42063540901 UPPER,LOWER,ISUZU TPG-NKR85AN-EE5AHY
PX5780041-00 MOUNT ASSY,TOOL BOX (CENTRAL LOCK/TOYOTA,HINO TKG)

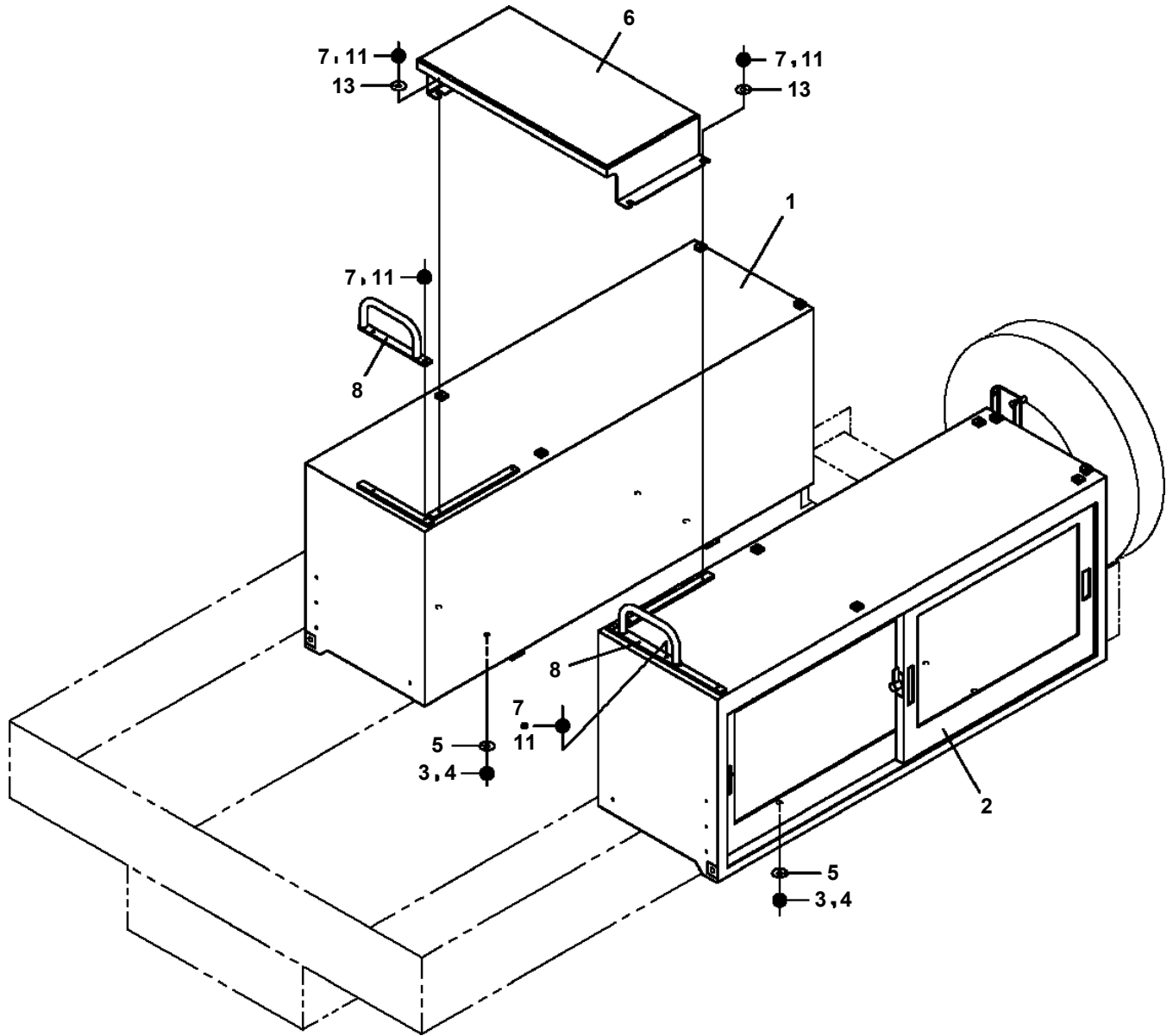
マウントASSY, ツールボックス (シユウチュウロツク/トヨタ, ヒノTKG)
MOUNT ASSY, TOOL BOX (CENTRAL LOCK/TOYOTA, HINO TKG)

指示番号 KEY NO.	部品名称 PART NAME	備考 REMARK
1	カイツウASSY MODIFICATION ASSY	リレーボックス用サポート取付け
2	マウントASSY, ツールボックス MOUNT ASSY, TOOL BOX	工具箱取付け
3	ハイセンASSY ELEC. ASSY	高所側配線
4	ハイセンASSY, キャリヤ ELEC. ASSY, CARRIER	トヨタ・日野TKG・SKG車
5	ネームプレートASSY NAME PLATE ASSY	銘板

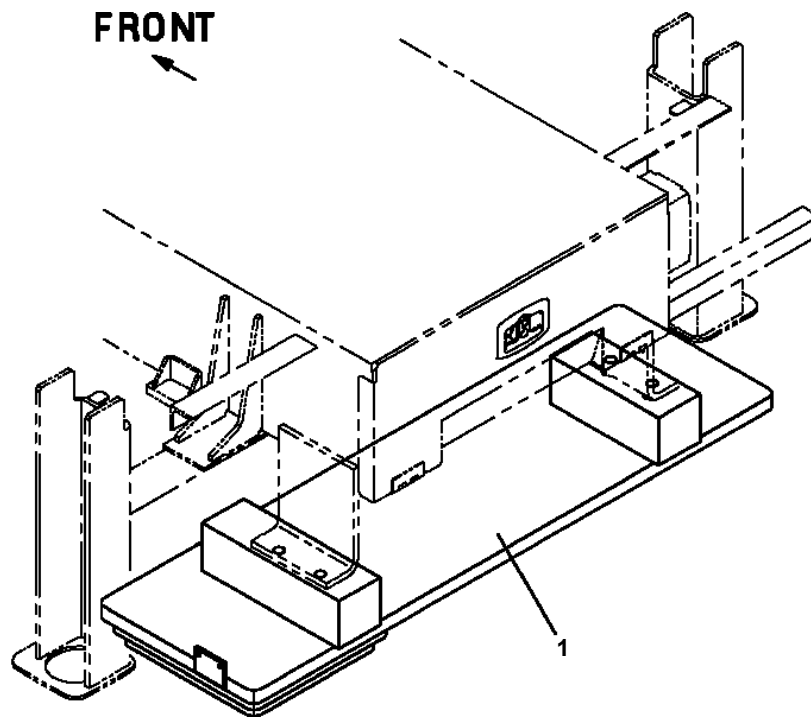
**AT-100-5 42063540901 UPPER,LOWER,ISUZU TPG-NKR85AN-EE5AHY
PX5780142-00 MOUNT ASSY,TOOL BOX (FOR LEFT SIDE DRAWER,1&2 DECK)**



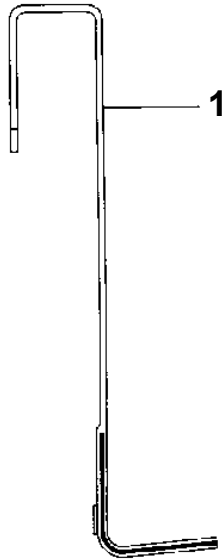
**AT-100-5 42063540901 UPPER,LOWER,ISUZU TPG-NKR85AN-EE5AHY
PX5780208-00 MOUNT ASSY,TOOL BOX**



**AT-100-5 42063540901 UPPER,LOWER,ISUZU TPG-NKR85AN-EE5AHY
PX5820132-00 MOUNT ASSY,WEIGHT (REAR WEIGHT EXCHANGE:241KG->197KG)**



**AT-100-5 42063540901 UPPER,LOWER,ISUZU TPG-NKR85AN-EE5AHY
PY1760001-00 STEP,BUCKET**



AT-100-5 42063540901 UPPER,LOWER,ISUZU TPG-NKR85AN-EE5AHY
 PY2000288-00 OPTION UNIT,2 (UPPER)

符号	日本語名称	英語名称	備考
27	ロックASSY	LOCK ASSY	AT-100TTE宅内用：スライド 工具箱×2、 脚立入れ×1、梯子入れ×1 鍵交換No.1
28	ロックASSY	LOCK ASSY	AT-100TTE宅内用：スライド 工具箱×2、 脚立入れ×1、梯子入れ×1 鍵交換No.2
29	ロックASSY	LOCK ASSY	AT-100TTE宅内用：スライド 工具箱×2、 脚立入れ×1、梯子入れ×1 鍵交換No.3
30	ロックASSY	LOCK ASSY	AT-100TTE宅内用：スライド 工具箱×2、 脚立入れ×1、梯子入れ×1 鍵交換No.4
31	ロックASSY	LOCK ASSY	AT-100TTE宅内用：スライド 工具箱×2、 脚立入れ×1、梯子入れ×1 鍵交換No.5
32	ロックASSY	LOCK ASSY	AT-100TTE宅内用：スライド 工具箱×2、 脚立入れ×1、梯子入れ×1 鍵交換No.6
33	ロックASSY	LOCK ASSY	AT-100TTE宅内用：スライド 工具箱×2、 脚立入れ×1、梯子入れ×1 鍵交換No.7
34	ロックASSY	LOCK ASSY	AT-100TTE宅内用：スライド 工具箱×2、 脚立入れ×1、梯子入れ×1 鍵交換No.8
35	ロックASSY	LOCK ASSY	AT-100TTE宅内用：スライド 工具箱×2、 脚立入れ×1、梯子入れ×1 鍵交換No.9
36	ロックASSY	LOCK ASSY	AT-100TTE宅内用：スライド 工具箱×2、 脚立入れ×1、梯子入れ×1 鍵交換No.10
37	ハンドル	HANDLE	1段・2段工具箱,梯子入れ用T字型ハンドル 鍵No.01
38	ハンドル	HANDLE	1段・2段工具箱,梯子入れ用T字型ハンドル 鍵No.02
39	ハンドル	HANDLE	1段・2段工具箱,梯子入れ用T字型ハンドル 鍵No.03
40	ハンドル	HANDLE	1段・2段工具箱,梯子入れ用T字型ハンドル 鍵No.04
41	ハンドル	HANDLE	1段・2段工具箱,梯子入れ用T字型ハンドル 鍵No.05
42	ハンドル	HANDLE	1段・2段工具箱,梯子入れ用T字型ハンドル 鍵No.06
43	ハンドル	HANDLE	1段・2段工具箱,梯子入れ用T字型ハンドル 鍵No.07
44	ハンドル	HANDLE	1段・2段工具箱,梯子入れ用T字型ハンドル 鍵No.08
45	ハンドル	HANDLE	1段・2段工具箱,梯子入れ用T字型ハンドル 鍵No.09
46	ハンドル	HANDLE	1段・2段工具箱,梯子入れ用T字型ハンドル 鍵No.10

適用製造番号によっては取り付けがないものもあります。

MACHINES OF SOME SERIAL NO. ARE NOT EQUIPPED WITH THESE PARTS.

CLICK HERE TO **DOWNLOAD** THE COMPLETE MANUAL

- Thank you very much for reading the preview of the manual.
- You can download the complete manual from: www.heydownloads.com by clicking the link below



- Please note: If there is no response to CLICKING the link, please download this PDF first and then click on it.

CLICK HERE TO **DOWNLOAD** THE COMPLETE MANUAL