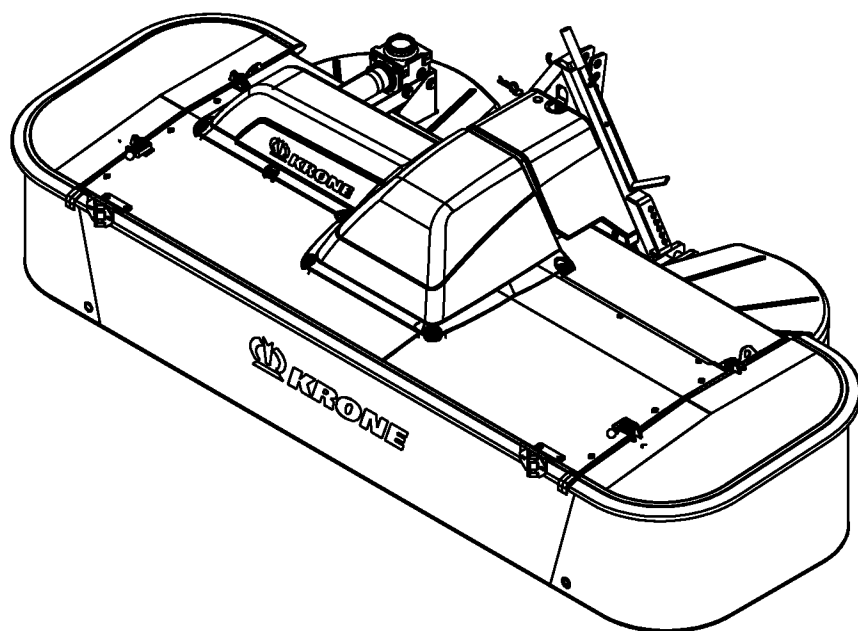




ERSATZTEILE

SPARE PARTS

PIÈCES DETACHEES



150 050 561 02 - 12/06/2015

150 387 919 01

EasyCut F 280

EasyCut F 320

EasyCut F 360

ab Masch.-Nr.
from mach.-no.
à partir de mach.-no

853 001 -

/ 150 050 561 02 /

CLICK HERE TO **DOWNLOAD** THE COMPLETE MANUAL

- Thank you very much for reading the preview of the manual.
- You can download the complete manual from: www.heydownloads.com by clicking the link below



- Please note: If there is no response to CLICKING the link, please download this PDF first and then click on it.

CLICK HERE TO **DOWNLOAD** THE COMPLETE MANUAL

Antriebsgetriebe - Linksdrehend Gearbox - Antidockwise Carter - Tournant à gauche					853001 -	E C F 2 8 0	E C F 3 2 0	E C F 3 6 0					150 050 561 02
											150 408 693 1	5.0	
Pos.	ID-Nr.	Benennung	Description	Description	Masch.-Nr-							Bemerkung/Remarks/Remarque	
1	20 036 075 0	Antriebsgetriebe mont. m. Freilauf links	Drive gear assembl. + freewheel lh.	Boîte d'entraînement ass. + roue li. ga.		x	x						
2	20 036 071 0	Radsatz 19/23 90° m= 4,5	Bevel wheel	Pignon conique		x	x						
3	00 926 101 0	Getriebeöl -Id.-Nr.= 1ltr	Oil -Id.-no.= 1ltr	Huile -Id.-no.= 1ltr		0,8	0,8						
4	00 925 205 2	Verschlussdeckel	Sealing cap	Couvercle de fermeture		x	x					Rd. 80	
5	00 911 673 0	Sicherungsring	Circlip	Circlip		x	x					80 X 2,5	
6	00 910 741 1	Stützscheibe	Supporting disc	Rondelle diélectrique		x	x					S 63 X 80 X 3	
7	00 911 022 0	Passscheibe	Shim ring	Cale		x	x					70 X 80 X 0,1	
	00 911 023 0	Passscheibe	Shim ring	Cale		x	x					70 X 80 X 0,3	
	00 910 876 0	Passscheibe	Shim ring	Cale		x	x					70 X 80 X 0,5	
	00 911 024 1	Passscheibe	Shim ring	Cale		x	x					70 X 80 X 1,0	
8	00 930 167 0	Rillenkugellager	Grooved ball bearing	Roulement à gorge		x	x					6307	
9	20 094 318 0	Getriebegehäuse	Gearbox housing	Carter du boîte de vitesses		x	x						
10	00 906 040 1	Verschlusschraube	Screw plug	Bouchon fileté		x	x					M 18 X 1,5	
11	00 920 931 0	Gewindereduzierstutzen	Threaded reducing adapter	Raccord reducteur filete		x	x					M 18 X 1,5 - R 1/4"	
12	00 925 901 0	Winkel	Angle	Angle		x	x					1/4"	
13	00 919 821 2	Belüftungsfilter	Breather	Reniflard		x	x					R 1/4"	
14	20 036 074 1	Getriebewelle Freilauf links, Rd 42	Gearshaft freewheel lh. Rd 42	Arbre d'entraîn. roue li. ga. Rd 42		x	x						
15	20 031 618 0	Druckfeder	Pressure spring	Ressort de pression		x	x					0,6 X 3,5 X 14	
16	20 036 060 0	Freilauf-Klinke	Freewheel ratchet	Cliquet de la roue libre		x	x						
17	00 932 177 0	Kegelrollenlager	Taper roller bearing	Roulement à rouleaux coniques		x	x					32010 X	
18	90 001 226 0	Stützscheibe	Supporting disc	Rondelle diélectrique		x	x					S 70 X 80 X 3	
19	00 936 339 1	Radial-Wellendichtring	Radial-shaft sealing ring	Radial-bague d'étanchéité		x	x					A 35 X 80 X 13	
20	00 911 541 0	Sicherungsring	Circlip	Circlip		x	x					A 35 X 1,5	
21	00 911 130 0	Passscheibe	Shim ring	Cale		x	x					35 X 45 X 0,1	
	00 911 132 0	Passscheibe	Shim ring	Cale		x	x					35 X 45 X 0,3	
	00 911 133 0	Passscheibe	Shim ring	Cale		x	x					35 X 45 X 0,5	
	00 911 134 0	Passscheibe	Shim ring	Cale		x	x					35 X 45 X 1,0	
22	00 910 900 0	Passscheibe	Shim ring	Cale		x	x					50 X 62 X 0,1	
	00 910 904 0	Passscheibe	Shim ring	Cale		x	x					50 X 62 X 1,0	
	00 910 902 0	Passscheibe	Shim ring	Cale		x	x					50 X 62 X 0,3	
	00 910 903 0	Passscheibe	Shim ring	Cale		x	x					50 X 62 X 0,5	
23	00 932 155 0	Kegelrollenlager	Taper roller bearing	Roulement à rouleaux coniques		x	x					32210 A	
24	00 937 588 0	O-Ring	O-ring	Joint torique		x	x					124,5 X 3	
25	20 033 135 0	Getriebehals	Gearbox neck	Col de boîte de vitesses		x	x						
26	00 909 910 1	Sperrkantscheibe	Detent edged washer	Disque à bord d'arrêt		x	x					SKM 12	
27	00 900 656 0	6kt-Schraube	Hex head bolt	Boulon tête hex		x	x					M 12 X 30	
28	00 915 122 0	Passfeder	Fit-in key	Clavette		x	x					A 10 X 8 X 40	

CLICK HERE TO **DOWNLOAD** THE COMPLETE MANUAL

- Thank you very much for reading the preview of the manual.
- You can download the complete manual from: www.heydownloads.com by clicking the link below



- Please note: If there is no response to CLICKING the link, please download this PDF first and then click on it.

CLICK HERE TO **DOWNLOAD** THE COMPLETE MANUAL

Hydraulischer Klappschutz -optional Hydraulic Flap gate Vanne-clapet hydraulique						905001 -	E C 2 8 0	E C 3 2 0	E C 3 6 0				150 050 561 02	
													150 427 317 3	18.4
Pos.	ID-Nr.	Benennung	Description	Description	Masch.-Nr-								Bemerkung/Remarks/Remarque	
1	00 921 171 1	Staubmuffe -rot	Dust cap -red	Manchon anti-poussiere -rouge		x	x	x					M 18 X 1,5	
2	00 921 145 0	Kupplungsstecker	Connector plug	Fiche de jonction		x	x	x						
3	27 012 915 0	Hyd-Schlauch 1SN-K 8x1500 DKOL DKOL45°	Hyd. hose 1SN-K 8x1500 DKOL DKOL45°	Tuyau flex.hyd.1SN-K 8x1500 DKOL DKOL45°		x	x	x						
4	00 919 918 1	Einschraubstutzen	Male connector	Raccord filet		x	x	x					M 18 X 1,5 / E R3/8" 0,8 X 12 X 1	
5	00 919 324 0	Drosselscheibe	Throttling disc	Disque d'etraglement		x	x	x						
6	00 921 067 1	Winkelstutzen	Angle lug	Jarret tubulure		x	x	x					M 18 X 1,5 G= 3/8"	
7	00 919 343 0	Doppel - Sperrblock	Double lock-up valve unit	Bloc d'arrêt double		x	x	x						
8	00 909 906 1	Sperrkantscheibe	Detent edged washer	Disque à bord d'arrêt		x	x	x					SKM 6 M 6 X 40	
9	00 901 410 0	6kt-Schraube	Hex head bolt	Boulon tête hex		x	x	x						
10	90 001 470 0	Einschraubstutzen	Male connector	Raccord filet		x	x	x					M 14 X 1,5 / G 3/8" M 14 X 1,5	
11	00 919 967 0	L-Stutzen	Adjustable L connection	Raccord L réglable		x	x	x						
14	90 000 114 0	Winkelstutzen	Angle lug	Jarret tubulure		x	x	x					M 14 X 1,5	
15	27 012 157 0	Hyd-Schlauch 2 SN 6x350 DKOL DKOL90°	Hyd. hose 2 SN 6x350 DKOL DKOL90°	Flex. hyd. 2 SN 6x350 DKOL DKOL90°		x	x	x						
16	00 919 965 0	Winkelstutzen	Angle lug	Jarret tubulure		x	x	x					M 14 X 1,5	
17	27 012 879 0	Hyd-Zylinder DZ 16/25x200/300	Hydraulic cylinder dc 16/ 25x200/300	Vérin hydraulique DZ 16/ 25x200/300		x	x	x					Dz 16/25 5 X 26	
18	00 919 956 0	Dichtungssatz	Sealing set	Jeu de joints		x	x	x						
	00 912 611 2	Spannstift	Roll pin	Goupille de serrage		x	x	x						
19	00 910 506 1	Scheibe	Washer	Rondelle		x	x	x					13 X 24 X 2,5	
20	20 038 214 0	Halter Klappschutz links	Support flap protection left	Support protection basculante ga.		x	x	x						
21	00 900 638 0	6kt-Schraube	Hex head bolt	Boulon tête hex		x	x	x					M 10 X 35 10,5 X 30 X 2,5	
22	90 000 121 0	Scheibe	Washer	Rondelle		x	x	x						
23	00 909 909 1	Sperrkantscheibe	Detent edged washer	Disque à bord d'arrêt		x	x	x					SKM 10 M 10	
24	00 908 758 0	Sicherungsmutter	Locknut	Écrou hex		x	x	x						
25	20 038 166 1	Aufnahme links	Holder left	Logement ga.		x	x	x					Rd. 12 X 79	
26	00 215 455 0	Bolzen	Pin	Boulon		x	x	x						
27	00 910 803 0	Passscheibe	Shim ring	Cale		x	x	x					12 X 18 X 1,0 3,2 X 28	
28	00 912 046 1	Splint	Cotter pin	Goupille fendue		x	x	x						
29	00 900 636 0	6kt-Schraube	Hex head bolt	Boulon tête hex		x	x	x					M 10 X 25 10,5 X 30 X 2,5	
30	90 000 121 0	Scheibe	Washer	Rondelle		x	x	x						
31	00 924 227 0	Gummipuffer	Rubber pad	Tampon en caoutchouc		x	x	x					Rd. 30 X 17 / M 8 SKM 8 M 8	
32	00 909 908 1	Sperrkantscheibe	Detent edged washer	Disque à bord d'arrêt		x	x	x						
33	00 908 706 0	Sicherungsmutter	Locknut	Écrou hex		x	x	x						
34	20 038 722 0	Hyd.-Leitung 8 x 1,5 x 1043 2	Hydraulic line 8 x 1,5 x 1043 2	Conduite hydraul. 8 x 1,5 x 1043		x	x	x						
35	20 038 721 0	Bögen	bows	2coudes										
		Hyd.-Leitung 8 x 1,5 x 880	Hydraulic line 8 x 1,5 x 880	Conduite hydraulique 8 x 1,5 x 880		x	x	x						

CLICK HERE TO **DOWNLOAD** THE COMPLETE MANUAL

- Thank you very much for reading the preview of the manual.
- You can download the complete manual from: www.heydownloads.com by clicking the link below



- Please note: If there is no response to CLICKING the link, please download this PDF first and then click on it.

CLICK HERE TO **DOWNLOAD** THE COMPLETE MANUAL