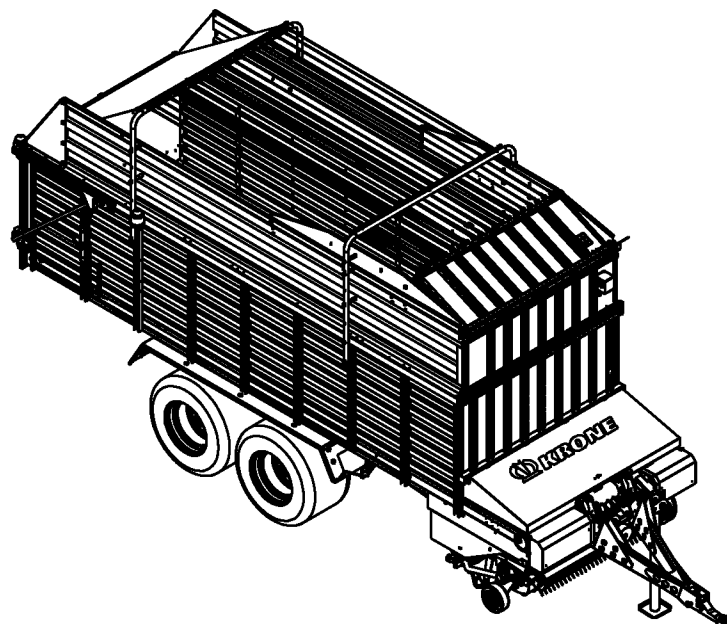




ERSATZTEILE

SPARE PARTS

PIÈCES DETACHEES



150 420 718 01

AX 310 GL

AX 310 GD

ab Masch.-Nr.
from mach.-no.
à partir de mach.-no

871 000 - 908 900

150 050 766 00 H - 12/06/2015

/ 150 050 766 00 H /

CLICK HERE TO **DOWNLOAD** THE COMPLETE MANUAL

- Thank you very much for reading the preview of the manual.
- You can download the complete manual from: www.heydownloads.com by clicking the link below



- Please note: If there is no response to CLICKING the link, please download this PDF first and then click on it.

CLICK HERE TO **DOWNLOAD** THE COMPLETE MANUAL

| Kratzboden Conveying floor Fond mouvant | | | | | 871000 - 908900 | A X 3 1 0 G L | A X 3 1 0 G D | | | | | 150 050 766 00 | |
|---|--------------|--------------------------------|-------------------------------|----------------------------------|-----------------|---------------------------------|---------------------------------|--|--|--|--|----------------------------|-----|
| | | | | | | | | | | | | 150 334 920 6 | 2.0 |
| Pos. | ID-Nr. | Benennung | Description | Description | Masch.-Nr- | | | | | | | Bemerkung/Remarks/Remarque | |
| 1 | 20 054 078 0 | Kratzboden | Conveying floor | Fond mouvant | | x | x | | | | | | |
| 2 | 27 002 293 1 | Rundstahlkette -paarweise | Steel chain -by pairs | Chaîne acier -par paires | | x | x | | | | | G 10 X 31 X 357 Glieder | |
| 3 | 00 338 713 0 | Kratzbodenleiste | U-strip | Barrette de fond mouvant | | 20 | 20 | | | | | Lg.= 940 | |
| 4 | 00 905 303 4 | Flachrundschrabe | Coach bolt | Vis a tête bombée | | x | x | | | | | M 10 X 29 | |
| 5 | 00 200 583 3 | Distanzstück | Spacer | Pièce d'entretoisement | | x | x | | | | | | |
| 6 | 00 909 909 1 | Sperrkantscheibe | Detent edged washer | Disque à bord d'arrêt | | x | x | | | | | SKM 10 | |
| 7 | 00 908 212 0 | 6kt-Mutter | Hex nut | Écrou hex | | x | x | | | | | M 10 | |
| 8 | 00 922 610 1 | Verbindungsglied | Connect. link | Maillon de jonction | | x | x | | | | | G 10 X 31 | |
| 9 | 90 000 057 0 | 6kt-Schraube | Hex head bolt | Boulon tête hex | | x | x | | | | | M 10 X 120 | |
| 10 | 00 908 500 0 | 6kt-Mutter -niedrige Form | Hex nut -low form | Écrou hex -forme basse | | x | x | | | | | M 10 | |
| 11 | 00 345 626 7 | Stützlagerhalter | Support bearing | Support de crapaudine | | 4 | 4 | | | | | | |
| 12 | 00 345 645 1 | Halbschale | Half shell | Demi-coquille | | x | x | | | | | D= 40 | |
| 13 | 00 900 657 0 | 6kt-Schraube | Hex head bolt | Boulon tête hex | | x | x | | | | | M 12 X 35 | |
| 14 | 00 910 506 1 | Scheibe | Washer | Rondelle | | x | x | | | | | 13 X 24 X 2,5 | |
| 15 | 00 908 701 0 | Sicherungsmutter | Locknut | Écrou hex | | x | x | | | | | M 12 | |
| 16 | 20 051 844 1 | Kratzbodenantriebswelle | Scraper floor drive shaft | Arbre d'entraînement du font mo | | x | x | | | | | Rd. 40 X 2281 | |
| 17 | 00 915 356 0 | Passfeder | Fit-in key | Clavette | | x | x | | | | | A 12 X 8 X 56 | |
| 18 | 00 911 323 1 | Stellring | Collar | Bague d'arrêt | | x | x | | | | | A 40 X 63 X 18 | |
| 19 | 00 905 933 1 | Gewindestift | Threaded pin | Goujon fileté | | x | x | | | | | M 10 X 12 | |
| 20 | 20 055 634 0 | Nusskettenrad 10x31, Z=6, B=40 | Nut chain wheel10x31 Z=6 40mm | Roue à chaîne de noix 10x31 Z= 6 | | 4 | 4 | | | | | | |
| 21 | 00 281 706 0 | Scheibe | Washer | Rondelle | | x | x | | | | | 40 X 60,3 X 6 | |
| 22 | 00 333 520 1 | Kratzbodenlager | Mowing floor bearing | Palier de fond mouvant | | x | x | | | | | | |
| 23 | 00 934 935 0 | Lagerbuchse | Bearing bush | Coussinet | | x | x | | | | | 40 X 44 X 50 | |
| 24 | 00 919 105 0 | Kegelschmiernippel | Grease niple | Graisser à cone | | x | x | | | | | AM 8 X 1 | |
| 25 | 00 900 636 0 | 6kt-Schraube | Hex head bolt | Boulon tête hex | | x | x | | | | | M 10 X 25 | |
| 26 | 00 910 414 0 | Scheibe | Washer | Rondelle | | x | x | | | | | 10,5 X 21 X 2 | |
| 27 | 00 908 758 0 | Sicherungsmutter | Locknut | Écrou hex | | x | x | | | | | M 10 | |
| 28 | 00 900 391 1 | 6kt-Schraube | Hex head bolt | Boulon tête hex | | x | x | | | | | M 20 X 150 | |
| 29 | 00 908 225 0 | 6kt-Mutter | Hex nut | Écrou hex | | x | x | | | | | M 20 | |
| 30 | 20 051 173 0 | Halter | Support | Cadre support | | 4 | 4 | | | | | | |
| 31 | 20 055 637 0 | Umlenkrad Z=6, B=35 m. Buchsen | Guide wheel Z=6 35mm | Roue de renvoi Z=6 35mm | | 4 | 4 | | | | | | |
| 32 | 00 934 965 1 | Lagerbuchse | Bearing bush | Coussinet | | x | x | | | | | 35 X 39 X 25 | |
| 33 | 20 051 174 0 | Umlenkwell | Guide shaft | Arbre de renvoi | | 2 | 2 | | | | | Rd. 35 X 892 | |
| 34 | 20 051 167 1 | Abschlussblech -vorne | Connexion endplate -front | Tôle d'extrémité -devant | | x | x | | | | | | |
| 35 | 00 904 850 1 | Flachrundschrabe | Coach bolt | Vis a tête bombée | | x | x | | | | | M 10 X 25 | |
| 36 | 00 938 515 0 | Rohrverbinder | Tube union | Tubulure | | x | x | | | | | M 14 X 1,5 | |
| 37 | 00 908 519 0 | 6kt-Mutter -niedrige Form | Hex nut -low form | Écrou hex -forme basse | | x | x | | | | | M 14 X 1,5 | |

| Hydraulik - Vorschubgetriebe -GD | | | | | | 871000 - 908900 | A X 3 1 0 G L | A X 3 1 0 G D | | | | | 150 050 766 00 | |
|----------------------------------|--------------|--|--|--|--|-----------------|---------------------------------|---------------------------------|--|--|--|--|----------------------------|-----|
| Hydraulics | | | | | | | | | | | | | 150 338 106 8 | 5.0 |
| Système hydraulique | | | | | | Masch.-Nr- | | | | | | | Bemerkung/Remarks/Remarque | |
| Pos. | ID-Nr. | Benennung | Description | Description | | | | | | | | | | |
| 1 | 00 919 762 0 | Einschraubstutzen | Male connector | Raccord filet | | | x | | | | | | L 18 Me/M 26 X 1,5 | |
| 3 | 20 054 629 0 | Hydraulikleitung -inkl. Überwurfmutter, Schneidring | Hydraulic line -incl. nozzle disc cap, cutting ring | Ligne hydraulique -incl. écrou de buse-pastille, baque coupante | | | x | | | | | | 18 X 2 | |
| 5 | 20 057 908 0 | Hyd.-Leitung 18 x 2 x 1811 3 | Hyd. line 18 x 2 x 1811 3 bows | Conduite hyd. 18 x 2 x 1811 3 | | | x | | | | | | | |
| 7 | 27 002 165 0 | Bögen Ventilblock | Valve block | coudes Bloc de soupapes | | | x | | | | | | | |
| 9 | 00 921 179 2 | Einschraubstutzen | Male connector | Raccord filet | | | x | | | | | | R 1/2" / M 26 X 1,5 | |
| 10 | 27 002 035 0 | Hochdruckschlauchleitung | High pressure hose line | Conduite de tuyau haute pression | | | x | | | | | | Lg.= 1450 | |
| 11 | 20 057 907 0 | Hyd.-Leitung 18 x 2 x 1869 3 Bögen | Hyd. line 18 x 2 x 1869 3 bows | Conduite hyd. 18 x 2 x 1869 3 coudes | | | x | | | | | | | |
| 12 | 00 921 173 0 | Winkelstutzen | Angle lug | Jarret tubulure | | | x | | | | | | L 18 | |
| 13 | 00 921 170 0 | Verbindungsstutzen | Connector | Raccord | | | x | | | | | | L 18 | |
| 14 | 20 054 630 0 | Hydraulikleitung -inkl. Überwurfmutter, Schneidring | Hydraulic line -incl. nozzle disc cap, cutting ring | Ligne hydraulique -incl. écrou de buse-pastille, baque coupante | | | x | | | | | | 18 X 2 | |
| 15 | 00 900 636 0 | 6kt-Schraube | Hex head bolt | Boulon tête hex | | | x | | | | | | M 10 X 25 | |
| 16 | 00 910 616 1 | Scheibe | Washer | Rondelle | | | x | | | | | | 10,5 X 18 X 1,6 | |
| 17 | 20 052 759 0 | Anschraubwinkel | Mounting angle | Jarret à visser | | | x | | | | | | | |
| 18 | 00 908 758 0 | Sicherungsmutter | Locknut | Écrou hex | | | x | | | | | | M 10 | |
| 19 | 00 921 183 1 | Schneidring | Cutting ring | Baque coupante | | | x | | | | | | L 18 | |
| 20 | 00 921 182 0 | Überwurfmutter | Nozzle disc cap | Écrou de buse-pastille | | | x | | | | | | AL 18 | |
| 21 | 00 925 155 0 | Rohrschelle -2 Hälften | Tube clamp -2 halves | Bride -2 moitiés | | | x | | | | | | Bo.= 18/18 | |
| 22 | 00 925 134 0 | Deckplatte | Cover plate | Plaque de recouvrement | | | x | | | | | | | |
| 23 | 00 901 423 0 | 6kt-Schraube | Hex head bolt | Boulon tête hex | | | x | | | | | | M 8 X 50 | |
| 24 | 00 919 179 0 | Grundplatte | Base plate | Plaquette de levier | | | x | | | | | | | |
| 25 | 27 002 164 0 | 4/2-Wegeventil | 4/2-Directional-control valve | 4/2-Distributeur | | | x | | | | | | | |
| 26 | 27 002 403 0 | Dichtungssatz | Sealing set | Jeu de joints | | | x | | | | | | | |
| 26 | 27 002 401 0 | Magnetspule | Solenoid coil | Bobine d'electro-aimant | | | x | | | | | | 12 V | |
| 27 | 27 002 402 0 | Mutter | Nut | Écrou | | | x | | | | | | | |
| 28 | 00 903 050 2 | Zylinderschraube | Allen screw | Vis tête cylindrique | | | x | | | | | | M 6 X 40 | |
| 29 | 00 901 061 2 | 6kt-Schraube | Hex head bolt | Boulon tête hex | | | x | | | | | | M 10 X 45 -10.9 | |
| 30 | 00 921 144 0 | Einschraubstutzen | Male connector | Raccord filet | | | x | | | | | | M 18 X 1,5 / M 26 X 1,5 | |
| 32 | 00 904 743 1 | Flachrundschrabe | Coach bolt | Vis a tête bombée | | | x | | | | | | M 8 X 80 | |
| | 00 904 817 1 | Flachrundschrabe | Coach bolt | Vis a tête bombée | | | x | | | | | | M 8 X 50 | |
| 33 | 00 908 706 0 | Sicherungsmutter | Locknut | Écrou hex | | | x | | | | | | M 8 | |
| 34 | 27 004 572 0 | Spiralband -ld.-Nr.= 1m | Spiral strip -ld.-no.= 1m | Feuillards spiralé -ld.-no.= 1m | | | x | | | | | | Rd. 25 / 29 | |
| 35 | 20 055 542 0 | Ventilschutz | Valve protection | Protection de vanne | | | x | | | | | | | |
| 36 | 00 900 614 0 | 6kt-Schraube | Hex head bolt | Boulon tête hex | | | x | | | | | | M 8 X 20 | |
| 37 | 00 909 908 1 | Sperrkantscheibe | Detent edged washer | Disque à bord d'arrêt | | | x | | | | | | SKM 8 | |

| Lenkachse -N 4008-3 Steering axle Essieu directeur | | | | | 871000 - 908900 | A X 3 1 0 G L | A X 3 1 0 G D | | | | | | 150 050 766 00 |
|--|--------------|---|---|--|-----------------|---------------------------------|---------------------------------|--|--|--|---------------|----------------------------|----------------|
| | | | | | | | | | | | 150 351 765 2 | 15.0 | |
| Pos. | ID-Nr. | Benennung | Description | Description | Masch.-Nr- | | | | | | | Bemerkung/Remarks/Remarque | |
| 38 | 00 952 980 0 | Hydraulikzylinder -Dichtungssatz nicht möglich | Hydraulic cylinder -Seal kit not available | Vérin hydraulique -Jeu de joints non disponible | | x | x | | | | | | |
| 39 | 00 952 950 0 | Bolzen | Pin | Boulon | | . | . | | | | | Rd. 35 X 73 | |
| 40 | 00 912 114 0 | Splint | Cotter pin | Goupille fendue | | x | x | | | | | 6,3 X 71 | |
| 41 | 00 952 951 0 | Bolzen | Pin | Boulon | | x | x | | | | | Rd. 35 X 73 | |
| 42 | 00 912 113 1 | Splint | Cotter pin | Goupille fendue | | x | x | | | | | 6,3 X 63 | |
| 43 | 00 908 719 0 | Sicherungsmutter | Locknut | Écrou hex | | x | x | | | | | M 16 | |
| 44 | 27 001 822 0 | Spurstangenanschluss -links | Track rod connection -left | Connection du barre de direction | | x | x | | | | | | |
| 45 | 00 952 879 0 | Buchse | Bushing | -gauche Douille | | x | x | | | | | 48 / 16,1 X 50 | |
| 46 | 00 901 486 1 | 6kt-Schraube | Hex head bolt | Boulon tête hex | | x | x | | | | | M 16 X 85 | |
| 47 | 00 952 880 0 | Stossdämpferhalter | Support | Support | | x | x | | | | | | |
| 48 | 00 952 878 0 | Schelle | Clamp | Collier de serrage | | x | x | | | | | | |
| 49 | 27 004 263 0 | Spurstange -kpl. | Track rod -cpl. | Barre de direction -cpl. | | x | x | | | | | | |
| 50 | 00 952 881 0 | Stossdämpferhalter | Support | Support | | x | x | | | | | | |
| 51 | 27 001 821 0 | Spurstangenanschluss -rechts | Track rod connection -right | Connection du barre de direction | | x | x | | | | | | |
| 52 | 00 912 132 0 | Splint | Cotter pin | -droite Goupille fendue | | x | x | | | | | 8 X 56 | |
| 53 | 00 908 701 0 | Sicherungsmutter | Locknut | Écrou hex | | x | x | | | | | M 12 | |
| 54 | 27 001 435 0 | Verlängerung | Extension | Rallonge | | x | x | | | | | M 10 X 1 | |
| 55 | 90 000 203 0 | Winkelschraubstutzen | Angel male connector | Raccord filet jarret | | x | x | | | | | M 10 X 1 | |
| 56 | 00 938 933 0 | Kunststoffrohr mit Fett gefüllt -Id.-Nr.= 1m | Plastic tube filled with grease -Id.-no.= 1m | Tube plastique farci avec graisse -Id.-no.= 1m | | x | x | | | | | 6 X 1,5 | |
| 57 | 00 901 421 1 | 6kt-Schraube | Hex head bolt | Boulon tête hex | | x | x | | | | | M 8 X 40 | |
| 58 | 00 919 004 0 | Kegelschmiernippel | Grease nipple | Graisser à cone | | x | x | | | | | M 10 X 1 | |
| 59 | 00 919 333 0 | Einschraubstutzen | Male connector | Raccord filet | | x | x | | | | | M 10 X 1 | |
| 60 | 00 952 941 0 | Platte | Plate | Plaque | | x | x | | | | | | |
| 61 | 00 909 908 1 | Sperrkantscheibe | Detent edged washer | Disque à bord d'arrêt | | x | x | | | | | SKM 8 | |
| 62 | 00 908 210 0 | 6kt-Mutter | Hex nut | Écrou hex | | x | x | | | | | M 8 | |
| 63 | 00 924 010 0 | Rohrschelle mit Gummiprofil | Tube clip w. rubber | Bride | | x | x | | | | | Rd. 12 | |
| 64 | 00 903 045 1 | Zylinderschraube | Allen screw | Vis tête cylindrique | | x | x | | | | | M 6 X 20 | |
| 65 | 00 910 032 0 | Federring | Spring washer | Rondelle elastique | | x | x | | | | | B= 6 | |
| 66 | 00 952 956 0 | Deckel | Cover | Couvercle | | x | x | | | | | | |
| 67 | 00 952 348 0 | Bremsbelag mit Niete | Brake lining with rivet | Machoire de frein avec rivet | | x | x | | | | | 400 X 80 | |
| 68 | 00 952 864 0 | Zugfeder | Tension spring | Ressort de traction | | x | x | | | | | | |
| 69 | 27 001 823 0 | Buchse | Bushing | Douille | | x | x | | | | | 38 X 34 X 30 | |

| Hydraulische Bremse Hydraulic brakes Frein hydraulique | | | | | 871000 - 908900 | A X 3 1 0 G L | A X 3 1 0 G D | | | | | | 150 050 766 00 |
|---|--------------|--|-----------------------------------|---|-----------------|---------------------------------|---------------------------------|--|--|--|---------------|----------------------------|----------------|
| | | | | | | | | | | | 150 338 230 3 | 20.0 | |
| Pos. | ID-Nr. | Benennung | Description | Description | Masch.-Nr- | | | | | | | Bemerkung/Remarks/Remarque | |
| 1 | 00 904 347 1 | Senkschraube | Countersunk screw | Vis à tête fraisée | | x | x | | | | | M 5 X 20 | |
| 2 | 00 187 960 0 | Blindstopfen | Blind plug | Plot de remplissage | | x | x | | | | | Rd. 35 X 17 | |
| 3 | 00 910 500 1 | Scheibe | Washer | Rondelle | | x | x | | | | | 5,3 X 10 X 1 | |
| 4 | 00 908 207 1 | 6kt-Mutter | Hex nut | Écrou hex | | x | x | | | | | M 5 | |
| 5 | 00 921 155 0 | Kupplungsmuffe | Sleeve | Cache poussiere | | x | x | | | | | M 18 X 1,5 | |
| 6 | 00 920 984 1 | Hochdruckschlauchleitung | High pressure hose line | Conduite de tuyau haute pression | | x | x | | | | | Lg.= 2200 | |
| 7 | 00 921 054 1 | Verbindungsstutzen | Connector | Raccord | | x | x | | | | | M 18 X 1,5 | |
| 8 | 20 053 017 0 | Hydraulikleitung -inkl. | Hydraulic line -incl. nozzle disc | Ligne hydraulique -incl. écrou de | | x | x | | | | | 12 X 1,5 | |
| 9 | 20 054 299 0 | Überwurfmutter, Schneidring Hyd.-Leitung 12 x 1,5 x 2645 8 Bögen | cap, cutting ring hydr. ligne | buse-pastille, baque coupante ligne de hydr. | | x | x | | | | | | |
| 10 | 00 921 087 1 | Gerade-Schottstutzen | Straight 2-way connector | Coupleur droit deux raccords | | x | x | | | | | M 18 X 1,5 | |
| 11 | 00 908 524 2 | 6kt-Mutter -niedrige Form | Hex nut -low form | Écrou hex -forme basse | | x | x | | | | | M 18 X 1,5 | |
| 12 | 20 054 295 0 | Hyd.-Leitung 12 x 1,5 x 1203 2 Bögen | hydr. ligne | ligne de hydr. | | x | x | | | | | | |
| 13 | 00 921 079 1 | L-Stutzen | Adjustable L connection | Raccord L réglable | | x | x | | | | | L 12 | |
| 14 | 00 921 077 1 | T-Stutzen | T connector | Raccord T réglable | | x | x | | | | | M 18 X 1,5 | |
| 15 | 00 921 067 1 | Winkelstutzen | Angle lug | Jarret tubulure | | x | x | | | | | M 18 X 1,5 | |
| 16 | 00 920 083 0 | Hochdruckschlauchleitung | High pressure hose line | Conduite de tuyau haute pression | | x | x | | | | | Lg.= 750 | |
| 17 | 00 921 016 1 | Hochdruckschlauchleitung | High pressure hose line | Conduite de tuyau haute pression | | x | x | | | | | Lg.= 1050 | |
| 18 | 00 920 901 1 | Einschraubstutzen | Male connector | Raccord filet | | x | x | | | | | M 18 X 1,5 | |
| 19 | 00 921 399 0 | Hydraulikzylinder | Hydraulic cylinder | Vérin hydraulique | | x | x | | | | | Ez 25/45 X 95/312 | |
| | 00 921 418 1 | Dichtungssatz | Sealing set | Jeu de joints | | x | x | | | | | Ez 25/45 | |
| | 00 911 805 0 | Sprengring | Snap ring | Circlips | | x | x | | | | | B 45 X 2,5 | |
| 20 | 00 910 506 1 | Scheibe | Washer | Rondelle | | x | x | | | | | 13 X 24 X 2,5 | |
| 21 | 00 908 701 0 | Sicherungsmutter | Locknut | Écrou hex | | x | x | | | | | M 12 | |
| 22 | 00 901 454 0 | 6kt-Schraube | Hex head bolt | Boulon tête hex | | x | x | | | | | M 12 X 55 | |
| 23 | 00 338 155 0 | Zylinderhalter | Cylinder support | Support de vérin | | x | x | | | | | | |
| 24 | 00 900 675 0 | 6kt-Schraube | Hex head bolt | Boulon tête hex | | x | x | | | | | M 16 X 40 | |
| 25 | 00 910 303 1 | Scheibe | Washer | Rondelle | | x | x | | | | | 17 X 30 X 3 | |
| 26 | 00 909 912 1 | Sperrkantscheibe | Detent edged washer | Disque à bord d'arrêt | | x | x | | | | | SKM 16 | |
| 27 | 00 908 719 0 | Sicherungsmutter | Locknut | Écrou hex | | x | x | | | | | M 16 | |
| 28 | 00 921 206 0 | Überwurfmutter | Nozzle disc cap | Écrou de buse-pastille | | x | x | | | | | AL 12 | |
| 29 | 00 921 046 1 | Schneidring | Cutting ring | Baque coupante | | x | x | | | | | L 12 | |
| 30 | 00 953 845 0 | Zugfeder | Tension spring | Ressort de traction | | x | x | | | | | 2,8 X 23 X 148 | |
| 31 | 00 920 868 0 | Mini-Messanschluss | Connector f.mini-test equipm. | Raccord instr.mesureur mini | | x | x | | | | | M 16 X 2 / M 18 X 1,5 | |

| Lenkachse Steering axle Essieu directeur | | | | | 871000 - 908900 | A X 3 1 0 G L | A X 3 1 0 G D | | | | | 150 050 766 00 |
|--|--------------|----------------------------------|--------------------------------|-----------------------------------|-----------------|---------------------------------|---------------------------------|--|--|--|----------------------------|----------------|
| | | | | | | | | | | | 150 383 709 5 | 24.0 |
| Pos. | ID-Nr. | Benennung | Description | Description | Masch.-Nr- | | | | | | Bemerkung/Remarks/Remarque | |
| 1 | 27 004 834 0 | Lenkachse | Steering axle | Essieu directeur | | x | x | | | | | |
| 2 | 00 951 397 2 | Kronenmutter | Castellated nut | Ecrou crenele plat | | x | x | | | | M 48 X 1,5 | |
| 3 | 27 008 864 0 | Dichtungssatz | Sealing set | Jeu de joints | | x | x | | | | | |
| 4 | 90 001 936 0 | Kegelrollenlager | Taper roller bearing | Roulement à rouleaux coniques | | x | x | | | | 33114 | |
| 5 | 27 008 865 0 | Radnabe | Hub f. axle | Moyeu de roue | | x | x | | | | 8/221/275 | |
| 6 | 27 008 866 0 | Bremstrommel | Brake drum | Moyeu tambour | | x | x | | | | 400 X 80 | |
| 7 | 00 932 173 0 | Kegelrollenlager | Taper roller bearing | Roulement à rouleaux coniques | | x | x | | | | 33018 | |
| 8 | 27 008 460 0 | Bremswelle -links/rechts | Brake shaft -left/right | Arbre de frein -gauche/droite | | x | x | | | | | |
| 9 | 27 008 879 0 | Gestängesteller -links | Rod control -left | Element de commande -gauche | | x | x | | | | | |
| | 27 008 878 0 | Gestängesteller -rechts | Rod control -right | Element de commande -droite | | x | x | | | | | |
| 10 | 00 911 538 0 | Sicherungsring | Circlip | Circlip | | x | x | | | | A 32 X 1,5 | |
| 11 | 00 951 418 2 | Riffelbolzen | Wheel pin | Boulon de fix.de roue | | x | x | | | | M 20 X 1,5 X 80 | |
| 12 | 00 910 216 0 | Federring | Spring washer | Rondelle elastique | | x | x | | | | C 20,5 | |
| 13 | 00 908 053 0 | 6kt-Mutter | Hex nut | Écrou hex | | x | x | | | | M 20 X 1,5 | |
| 14 | 27 008 807 0 | Lagerbuchse -pro Achse | Bearing bush -per axle | Coussinet -par essieu | | x | x | | | | | |
| 15 | 27 008 808 0 | Deckel -pro Achse | Cover -per axle | Couvercle -par essieu | | x | x | | | | | |
| 16 | 27 008 809 0 | Bolzen -pro Achse | Pin -per axle | Boulon -par essieu | | x | x | | | | | |
| 17 | 27 008 932 0 | Achsschenkel -links | Journal -left | Porte-moyeu -gauche | | x | x | | | | | |
| | 27 008 933 0 | Achsschenkel -rechts | Journal -right | Porte-moyeu -droite | | x | x | | | | | |
| 18 | 00 951 419 0 | Stossdämpfer -links/rechts | Shock absorber -left/right | Amortisseur -gauche/droite | | x | x | | | | | |
| 19 | 27 008 900 0 | Buchse | Bushing | Douille | | x | x | | | | | |
| 20 | 00 910 512 2 | Scheibe | Washer | Rondelle | | x | x | | | | 21 X 37 X 3 | |
| 21 | 00 901 211 1 | 6kt-Schraube | Hex head bolt | Boulon tête hex | | x | x | | | | M 20 X 120 | |
| 22 | 00 901 509 0 | 6kt-Schraube | Hex head bolt | Boulon tête hex | | x | x | | | | M 20 X 90 | |
| 23 | 27 006 467 0 | Hydraulikzylinder -links/ rechts | Hydraulic cylinder -left/right | Vérin hydraulique -gauche/ droite | | x | x | | | | Dz 40/60 X 100/285 | |
| | 27 008 901 0 | Dichtungssatz | Sealing set | Jeu de joints | | x | x | | | | | |
| 24 | 90 000 487 0 | 6kt-Schraube | Hex head bolt | Boulon tête hex | | x | x | | | | M 22 X 120 -10.9 | |
| 25 | 00 908 724 0 | Sicherungsmutter | Locknut | Écrou hex | | x | x | | | | M 22 | |
| 26 | 27 008 896 0 | Spurstange | Track rod | Barre de direction | | x | x | | | | | |
| | 27 008 903 0 | Spurstangenkopf | Track rod end | Rotule de barre d'accouplement | | x | x | | | | | |
| 28 | 27 008 897 0 | Distanzscheibe | Spacing washer | Rondelle entretoise | | x | x | | | | | |
| 29 | 00 908 721 0 | Sicherungsmutter | Locknut | Écrou hex | | x | x | | | | M 20 | |
| 30 | 27 008 867 0 | Bremsbacke | Brake shoe | Machoire de frein | | x | x | | | | 400 X 80 | |
| 31 | 00 951 370 0 | Radkappe | Wheel cap | Chapeau de roue | | x | x | | | | Rd. 139 | |
| 32 | 27 008 780 0 | Lenkanschlagbolzen | Steering stop pin | Limitation de direction-Boulon | | x | x | | | | | |
| 33 | 27 008 869 0 | Federnsatz | Spring set | Ensemble de ressort | | x | x | | | | | |
| 34 | 27 008 880 0 | Bolzen | Pin | Boulon | | x | x | | | | | |
| 35 | 00 910 514 1 | Scheibe | Washer | Rondelle | | x | x | | | | 26 X 44 X 4 | |

| Fördertrimmel Feed drum Tambour de convoyage | | | | | | 871000 - 908900 | A X 3 1 0 G L | A X 3 1 0 G D | | | | | 150 050 766 00 | |
|--|--------------|---------------------------|-------------------------|--|------------|-----------------|---------------------------------|---------------------------------|--|--|--|--|----------------------------|-------------|
| | | | | | | | | | | | | | 150 335 168 4 | 41.0 |
| Pos. | ID-Nr. | Benennung | Description | Description | Masch.-Nr- | | | | | | | | Bemerkung/Remarks/Remarque | |
| 1 | 20 051 070 0 | Fördertrimmel | Feed drum | Tambour de convoyage | | x | x | | | | | | | |
| 2 | 20 052 240 0 | Förderzinken | Conveyor tine | Dent convoyeuse | | 99 | 99 | | | | | | | |
| 3 | 20 051 068 0 | Kettenrad | Chain sprocket | Roue à chaînes | | x | x | | | | | | 1 1/2" Z= 54 | |
| 4 | 00 909 912 1 | Sperrkantscheibe | Detent edged washer | Disque à bord d'arrêt | | x | x | | | | | | SKM 16 | |
| 5 | 00 900 326 0 | 6kt-Schraube | Hex head bolt | Boulon tête hex | | x | x | | | | | | M 16 X 1,5 X 50 -10.9 | |
| 6 | 20 051 110 0 | Stirnrad | Spur gear | Roue d'engrenage | | x | x | | | | | | Z= 49 | |
| 7 | 00 909 907 0 | Sperrkantscheibe | Detent edged washer | Disque à bord d'arrêt | | x | x | | | | | | SKZ 10 | |
| 8 | 00 903 114 2 | Zylinderschraube | Allen screw | Vis tête cylindrique | | x | x | | | | | | M 10 X 60 -10.9 | |
| 9 | 20 051 113 0 | Lagerflansch -links | Bearing flange -left | Bride de palier -gauche | | x | x | | | | | | | |
| 10 | 20 051 111 0 | Lagerbolzen | Bearing bolt | Boulon d'appui | | x | x | | | | | | Rd. 60 X 133 | |
| 11 | 90 000 349 0 | Nilos-Ring | Nilos-ring | Nilos-Rondelle d'etancheite | | x | x | | | | | | 32008 XAV | |
| 12 | 00 932 176 0 | Kegelrollenlager | Taper roller bearing | Roulement à rouleaux coniques | | x | x | | | | | | 32008 X | |
| 13 | 20 051 112 0 | Stirnrad - Kettenrad | Spur gear - chain wheel | Pignon - arbre dr rous a chain | | x | x | | | | | | | |
| 14 | 00 910 888 0 | Passscheibe | Shim ring | Cale | | x | x | | | | | | 40 X 50 X 0,1 | |
| | 00 910 889 0 | Passscheibe | Shim ring | Cale | | x | x | | | | | | 40 X 50 X 0,3 | |
| | 00 910 890 0 | Passscheibe | Shim ring | Cale | | x | x | | | | | | 40 X 50 X 0,5 | |
| 15 | 00 911 518 0 | Sicherungsring | Circlip | Circlip | | x | x | | | | | | 40 X 2,5 | |
| 16 | 00 905 911 0 | Gewindestift | Threaded pin | Goujon fileté | | x | x | | | | | | M 10 X 12 | |
| 17 | 00 902 434 2 | 6kt-Schraube | Hex head bolt | Boulon tête hex | | x | x | | | | | | BM 10 X 35 | |
| 18 | 00 908 500 0 | 6kt-Mutter -niedrige Form | Hex nut -low form | Écrou hex -forme basse | | x | x | | | | | | M 10 | |
| 19 | 00 919 105 0 | Kegelschmiernippel | Grease nipple | Graisneur à cone | | x | x | | | | | | AM 8 X 1 | |
| 20 | 00 937 025 0 | Nilos-Ring | Nilos-ring | Nilos-Rondelle d'etancheite | | x | x | | | | | | 22216 JV | |
| 21 | 00 931 922 0 | Pendelrollenlager | Pendular roller bearing | Roulement à galets rouleaux pendulaire | | x | x | | | | | | 22216 E | |
| 22 | 00 910 829 0 | Passscheibe | Shim ring | Cale | | x | x | | | | | | 110 X 140 X 0,3 | |
| | 00 910 832 0 | Passscheibe | Shim ring | Cale | | x | x | | | | | | 110 X 140 X 0,5 | |
| | 00 910 828 0 | Passscheibe | Shim ring | Cale | | x | x | | | | | | 110 X 140 X 1 | |
| 23 | 00 911 698 0 | Sicherungsring | Circlip | Circlip | | x | x | | | | | | 140 X 4,0 | |
| 24 | 00 925 215 0 | Verschlussdeckel | Sealing cap | Couvercle de fermeture | | x | x | | | | | | Rd. 140 | |
| 25 | 00 338 663 0 | Schmierverlängerung | Lubrication extension | Allongement de graissage | | x | x | | | | | | 10.2 X 2.65 X 50 | |
| 26 | 00 338 406 2 | Lagerflansch -rechts | Bearing flange -right | Bride de palier -droite | | x | x | | | | | | | |
| 27 | 00 937 026 0 | Nilos-Ring | Nilos-ring | Nilos-Rondelle d'etancheite | | x | x | | | | | | 22212 JV | |
| 28 | 00 931 914 0 | Pendelrollenlager | Pendular roller bearing | Roulement à galets rouleaux pendulaire | | x | x | | | | | | 22212 ES | |
| 29 | 00 910 851 1 | Passscheibe | Shim ring | Cale | | x | x | | | | | | 90 X 110 X 0,3 | |
| | 00 910 849 0 | Passscheibe | Shim ring | Cale | | x | x | | | | | | 90 X 110 X 0,5 | |
| | 00 910 848 0 | Passscheibe | Shim ring | Cale | | x | x | | | | | | 90 X 110 X 1 | |
| 30 | 00 911 691 0 | Sicherungsring | Circlip | Circlip | | x | x | | | | | | 110 X 4,0 | |

CLICK HERE TO **DOWNLOAD** THE COMPLETE MANUAL

- Thank you very much for reading the preview of the manual.
- You can download the complete manual from: www.heydownloads.com by clicking the link below



- Please note: If there is no response to CLICKING the link, please download this PDF first and then click on it.

CLICK HERE TO **DOWNLOAD** THE COMPLETE MANUAL

| Pick-up Pick-up Pick-up | | | | | 885501 - 908900 | A X 3 1 0 G L | A X 3 1 0 G D | | | | | 150 050 766 00 | |
|-------------------------------|--------------|--------------------------------|----------------------------------|--|-----------------|---------------------------------|---------------------------------|--|--|--|--|----------------------------|------|
| Pos. | ID-Nr. | Benennung | Description | Description | Masch.-Nr- | | | | | | | 150 443 435 1 | 53.3 |
| | | | | | | | | | | | | Bemerkung/Remarks/Remarque | |
| 1 | 20 057 223 1 | Pick-up mont. | Pick-up assembled | Ramasseur assembl. | | x | x | | | | | | |
| 2 | 27 002 456 0 | Abstreifer | Stripper | Racleur | | 29 | 29 | | | | | | |
| 3 | 20 057 225 1 | Rotor f. Pick-Up (1595) | Rotor for pick-up (1595) | Rotor p. ramasseur (1595) | | x | x | | | | | | |
| 4 | 27 008 876 0 | Federzinken außen | Spring tine outside | Dents a ressort à l'extérieur | | 10 | 10 | | | | | Rd. 6 | |
| 5 | 27 009 836 0 | Federzinken innen | Spring tine inside | Dents a ressort à l'intérieur | | 65 | 65 | | | | | Rd. 6 | |
| 6 | 00 910 603 0 | Scheibe | Washer | Rondelle | | x | x | | | | | 8,4 X 24 X 2 | |
| 7 | 00 909 908 1 | Sperrkantscheibe | Detent edged washer | Disque à bord d'arrêt | | x | x | | | | | SKM 8 | |
| 8 | 90 002 564 0 | Sicherungsmutter M8 DT | Locknut M8 DT | Écrou de blocage M8 DT | | x | x | | | | | | |
| 9 | 20 059 551 0 | Verlustsicherung | Loss protection | Dispositif de protection contre la perte | | 75 | 75 | | | | | | |
| 10 | 27 013 500 0 | Druckplatte | Pressure plate | Plaque de compression | | 75 | 75 | | | | | | |
| 11 | 90 002 919 0 | Zylinderschraube I-6kt M8 x 35 | Cylinder screw hexag. socket M x | Vis cylindr. six pans creux M8 x 35 | | x | x | | | | | | |
| 12 | 00 934 017 2 | ZLÜ | 35 ZLÜ | ZLÜ | | x | x | | | | | | |
| 13 | 00 911 136 1 | Flanschlager | Flange bearing | Palier a bride | | x | x | | | | | 35 X 45 X 2,0 | |
| | 00 911 134 0 | Passscheibe | Shim ring | Cale | | x | x | | | | | 35 X 45 X 1,0 | |
| 14 | 20 052 216 0 | Ring | Ring | Anneau | | x | x | | | | | 35,5 X 44,5 X 3 | |
| 15 | 20 059 126 0 | Seitenteil rechts | Side part right | Partie latérale dr. | | x | x | | | | | | |
| 16 | 27 001 472 0 | Puffer | Buffer | Tampon | | x | x | | | | | | |
| 17 | 00 909 909 1 | Sperrkantscheibe | Detent edged washer | Disque à bord d'arrêt | | x | x | | | | | SKM 10 | |
| 18 | 00 900 637 0 | 6kt-Schraube | Hex head bolt | Boulon tête hex | | x | x | | | | | M 10 X 30 | |
| 19 | 20 057 230 1 | Rahmen (1595 /15 Zinken) | Frame (1595 /15 tines) | Cadre (1595 /15 dents) | | x | x | | | | | | |
| 20 | 00 903 209 1 | ZYL.SCHR. 16X35 12.9 | CYL. HEAD BOLT 16X35 12.9 | VIS A TETE CYLINDRIQUE 16X35 | | x | x | | | | | | |
| 21 | 20 024 302 0 | Sicherungsscheibe | Lock washer | Rondelle de protection | | x | x | | | | | 5 X 54 | |
| 22 | 00 909 912 1 | Sperrkantscheibe | Detent edged washer | Disque à bord d'arrêt | | x | x | | | | | SKM 16 | |
| 23 | 00 908 719 0 | Sicherungsmutter | Locknut | Écrou hex | | x | x | | | | | M 16 | |
| 24 | 20 057 228 1 | Seitenteil links | Side part left | Partie latérale ga. | | x | x | | | | | | |
| 25 | 00 273 289 1 | Hülse | Bushing | Douille | | x | x | | | | | 13,6 X 20 X 20 | |
| 26 | 00 910 353 0 | Scheibe | Washer | Rondelle | | x | x | | | | | 11 X 34 X 3 | |
| 27 | 00 905 157 2 | Flachrundschrabe | Coach bolt | Vis a tête bombée | | x | x | | | | | M 10 X 50 | |
| | 00 905 255 1 | Flachrundschrabe | Coach bolt | Vis a tête bombée | | x | x | | | | | M 10 X 40 | |
| 28 | 20 059 244 0 | Rohr mit Übergangsblech links | Tube with transition plate left | Tube avec tôle de transition ga. | | x | x | | | | | | |
| 29 | 20 059 099 0 | Rohr mit Übergangsblech | Tube with transition plate | Tube avec plaque de transition | | x | x | | | | | | |
| 30 | 20 059 096 0 | Rohr mit Übergangsblech | Tube with transition plate | Tube avec plaque de transition | | x | x | | | | | | |
| 31 | 20 059 112 0 | Rohr mit Übergangsblech rechts | Tube with transition plate right | Tube avec tôle de transition dr. | | x | x | | | | | | |
| 32 | 20 059 214 0 | Gleitrohr | Slide tube | Tube de glissement | | x | x | | | | | | |
| 33 | 90 000 026 0 | 6kt-Schraube | Hex head bolt | Boulon tête hex | | x | x | | | | | M 8 X 20 -10.9 | |

| Schutze vorne Front guard Protecteur avant | | | | | | 871000 - 908900 | A X 3 1 0 G L | A X 3 1 0 G D | | | | | 150 050 766 00 | |
|--|--------------|---------------------------|------------------------------|---|-----------------|-----------------|---------------------------------|---------------------------------|--|--|--|--------------------|----------------------------|-------------|
| | | | | | | | | | | | | | 150 337 358 6 | 59.0 |
| Pos. | ID-Nr. | Benennung | Description | Description | Masch.-Nr- | | | | | | | | Bemerkung/Remarks/Remarque | |
| 1 | 20 053 435 0 | Schutz -rechts | Guard -right | Protecteur -droite | | x | x | | | | | | M 8 X 20 SKM 8 | |
| 2 | 00 900 614 0 | 6kt-Schraube | Hex head bolt | Boulon tête hex | | x | x | | | | | | | |
| 3 | 00 909 908 1 | Sperrkantscheibe | Detent edged washer | Disque à bord d'arrêt | | x | x | | | | | | | |
| 4 | 00 338 512 0 | Wellenschutzhälfte | Shaft protection | Protecteur pour arbre | 871000 - 885500 | x | x | | | | | | | |
| | 20 057 241 0 | Wellenschutzhälfte | Shaft guard half | Moitié de dispositif protecteur des ar. | 885501 - | x | x | | | | | | 8,4 X 17 X 1,6 M 8 | |
| 5 | 00 910 413 0 | Scheibe | Washer | Rondelle | | x | x | | | | | | | |
| 6 | 00 908 706 0 | Sicherungsmutter | Locknut | Écrou hex | | x | x | | | | | | | |
| 7 | 20 051 315 0 | Anschraubplatte | Mounting plate | Plaque à visser | | x | x | | | | | | | |
| 8 | 20 053 440 0 | Schutz -links | Guard -left | Protecteur -gauche | | x | x | | | | | | | |
| 9 | 20 053 473 0 | Schutz -links | Guard -left | Protecteur -gauche | | x | | | | | | | | |
| | 20 052 684 0 | Seitenschutz -links | Lateral guard -left | Protecteur latéral -gauche | | | x | | | | | | | |
| 10 | 20 052 687 0 | Schutzhalter -links | Guard support -left | Support de protecteur -gauche | | x | x | | | | | | | |
| 11 | 20 052 683 0 | Schutzhalter -links | Guard support -left | Support de protecteur -gauche | | x | x | | | | | | | |
| 12 | 20 053 471 0 | Schutz -rechts | Guard -right | Protecteur -droite | | x | x | | | | | | | |
| 13 | 20 052 686 0 | Schutzhalter -rechts | Guard support -right | Support de protecteur -droite | | x | x | | | | | | | |
| 14 | 20 052 682 0 | Schutzhalter -rechts | Guard support -right | Support de protecteur -droite | | x | x | | | | | | | |
| 15 | 20 052 742 0 | Schutzhaube | Protective hood | Capot protecteur | | x | x | | | | | | | |
| | 27 008 120 0 | Aufkleber -grün | Tag -green | Autocollant -vert | | x | x | | | | | Lg.= 1400 | | |
| 16 | 00 903 483 1 | Zylinderschraube | Allen screw | Vis tête cylindrique | | x | x | | | | | M 6 X 40 | | |
| 17 | 00 335 482 2 | Gummifuss | Ruber grommet | Douille en caoutchouc | | x | x | | | | | | | |
| 18 | 00 344 518 3 | Distanzrohr | Spacer tube | Tube d'entretoisement | | x | x | | | | | 9,2 X 20 X 15 | | |
| 19 | 00 908 704 1 | Sicherungsmutter | Locknut | Écrou hex | | x | x | | | | | M 6 | | |
| 20 | 00 925 111 0 | Kantenschutz -ld.-Nr.= 1m | Edge protection -ld.-no.= 1m | Bordure de protection -ld.-no. = 1m | | x | x | | | | | | | |
| 21 | 00 904 732 2 | Flachrundschrabe | Coach bolt | Vis a tête bombée | | x | x | | | | | M 8 X 25 | | |
| 22 | 00 938 984 1 | Klappenverschluss | Gate lock | Fermeture de hayon | | x | x | | | | | | | |
| 23 | 00 908 210 0 | 6kt-Mutter | Hex nut | Écrou hex | | x | x | | | | | M 8 | | |
| 24 | 00 912 539 2 | Spannstift | Roll pin | Goupille de serrage | | x | x | | | | | 3 X 20 | | |
| 25 | 00 334 602 1 | Bügel | Yoke | Branchon | | x | x | | | | | Rd. 10 | | |
| 26 | 00 908 212 0 | 6kt-Mutter | Hex nut | Écrou hex | | x | x | | | | | M 10 | | |
| 27 | 00 338 997 0 | Gewindestück | Threaded piece | Pièce filetée | | x | x | | | | | | | |
| 28 | 00 910 353 0 | Scheibe | Washer | Rondelle | | x | x | | | | | 11 X 34 X 3 | | |
| 29 | 00 900 637 0 | 6kt-Schraube | Hex head bolt | Boulon tête hex | | x | x | | | | | M 10 X 30 | | |
| 30 | 27 003 909 0 | Gasfeder | Gas spring | Ressort à gaz | | x | x | | | | | Lg.= 485,5 - 800 N | | |
| 31 | 20 053 317 0 | Halter | Support | Cadre support | | x | x | | | | | | | |
| 32 | 20 053 413 0 | Scharnierblech -links | Hinge plate -left | Tôle de charnière -gauche | | x | x | | | | | | | |
| 33 | 00 332 893 3 | Scharnierbolzen | Hinge pin | Boulon de charnière | | x | x | | | | | Rd. 8 X 210 | | |
| 34 | 00 924 248 0 | Flügelverschluss | Star knob | Poignée étoile | | x | x | | | | | | | |

| Querförderband - Anbauteile - optional Conveyor belt - mounting parts Convoeur transversal - pièces de montage | | | | | 871000 - 908900 | A X 3 1 0 G L | A X 3 1 0 G D | | | | | | 150 050 766 00 |
|---|--------------|----------------------|---------------------|-------------------------|-----------------|---------------------------------|---------------------------------|--|--|--|---------------|----------------------------|----------------|
| | | | | | | | | | | | 150 337 347 2 | 76.0 | |
| Pos. | ID-Nr. | Benennung | Description | Description | Masch.-Nr- | | | | | | | Bemerkung/Remarks/Remarque | |
| 1 | 20 053 990 0 | Schiene -links | Flat steel -left | Acier plat -gauche | | | x | | | | | | |
| 2 | 00 900 299 1 | 6kt-Schraube | Hex head bolt | Boulon tête hex | | | x | | | | | M 12 X 35 | |
| 3 | 00 909 910 1 | Sperrkantscheibe | Detent edged washer | Disque à bord d'arrêt | | | x | | | | | SKM 12 | |
| 4 | 00 908 701 0 | Sicherungsmutter | Locknut | Écrou hex | | | x | | | | | M 12 | |
| 5 | 20 051 635 0 | Halter | Support | Cadre support | | | x | | | | | | |
| 6 | 20 053 989 0 | Schiene -rechts | Flat steel -right | Acier plat -droite | | | x | | | | | | |
| 7 | 00 900 612 0 | 6kt-Schraube | Hex head bolt | Boulon tête hex | | | x | | | | | M 8 X 16 | |
| 8 | 00 909 908 1 | Sperrkantscheibe | Detent edged washer | Disque à bord d'arrêt | | | x | | | | | SKM 8 | |
| 9 | 00 908 210 0 | 6kt-Mutter | Hex nut | Écrou hex | | | x | | | | | M 8 | |
| 10 | 20 052 077 0 | Schwenkblech -links | Pivot plate -left | Tôle de pivoter -gauche | | | x | | | | | | |
| 11 | 20 052 078 0 | Schwenkblech -rechts | Pivot plate -right | Tôle de pivoter -droite | | | x | | | | | | |
| 12 | 00 917 104 1 | Federstecker | Spring clip | Goupille elastique | | | x | | | | | 4 | |
| 13 | 20 050 759 0 | Scharnier -rechts | Hinge -right | Charnière -droite | | | x | | | | | | |
| 14 | 20 052 166 0 | Scharnier -hinten | Hinge -back | Charnière -derrière | | | x | | | | | | |
| 15 | 20 050 757 0 | Scharnier -links | Hinge -left | Charnière -gauche | | | x | | | | | | |
| 16 | 00 344 892 3 | Schanierbolzen | Hinge pin | Axe de charniere | | | x | | | | | Rd. 12 X 127 | |
| 17 | 00 912 579 2 | Spannstift | Roll pin | Goupille de serrage | | | x | | | | | 4 X 20 | |
| 18 | 00 901 463 1 | 6kt-Schraube | Hex head bolt | Boulon tête hex | | | x | | | | | M 12 X 130 -10.9 | |
| 19 | 00 910 506 1 | Scheibe | Washer | Rondelle | | | x | | | | | 13 X 24 X 2,5 | |
| 21 | 00 900 616 0 | 6kt-Schraube | Hex head bolt | Boulon tête hex | | | x | | | | | M 8 X 25 | |
| 22 | 00 908 706 0 | Sicherungsmutter | Locknut | Écrou hex | | | x | | | | | M 8 | |
| 23 | 00 905 237 0 | Flachrundschaube | Coach bolt | Vis a tête bombée | | | x | | | | | M 8 X 50 | |
| 24 | 20 050 763 0 | Halterung | Bracket | Support | | | x | | | | | | |
| 25 | 00 924 209 0 | Spezial-Gummi-Halter | Rubberholder | Support | | | x | | | | | | |
| 26 | 00 900 608 0 | 6kt-Schraube | Hex head bolt | Boulon tête hex | | | x | | | | | M 6 X 20 | |
| 27 | 00 908 704 1 | Sicherungsmutter | Locknut | Écrou hex | | | x | | | | | M 6 | |
| 28 | 00 900 607 0 | 6kt-Schraube | Hex head bolt | Boulon tête hex | | | x | | | | | M 6 X 16 | |
| 29 | 00 905 237 0 | Flachrundschaube | Coach bolt | Vis a tête bombée | | | x | | | | | M 8 X 50 | |
| 30 | 00 910 603 0 | Scheibe | Washer | Rondelle | | | x | | | | | 8,4 X 24 X 2 | |
| 31 | 20 050 774 0 | Schlauchhalter | Hose support | Support de tuyau | | | x | | | | | | |
| 32 | 00 900 617 0 | 6kt-Schraube | Hex head bolt | Boulon tête hex | | | x | | | | | M 8 X 30 | |
| 33 | 00 335 393 0 | Halterung | Bracket | Support | | | x | | | | | | |
| 34 | 00 900 636 0 | 6kt-Schraube | Hex head bolt | Boulon tête hex | | | x | | | | | M 10 X 25 | |
| 35 | 00 910 414 0 | Scheibe | Washer | Rondelle | | | x | | | | | 10,5 X 21 X 2 | |
| 36 | 00 908 758 0 | Sicherungsmutter | Locknut | Écrou hex | | | x | | | | | M 10 | |
| 37 | 20 051 703 0 | Kabelhalter | Cable support | Support de câble | | | x | | | | | | |
| 38 | 00 910 609 0 | Scheibe | Washer | Rondelle | | | x | | | | | 13 X 37 X 3 | |

| ID-NR. ID-NO. | TAFEL DIAG. | POS. POS. | ID-NR. ID-NO. | TAFEL DIAG. | POS. POS. | ID-NR. ID-NO. | TAFEL DIAG. | POS. POS. | ID-NR. ID-NO. | TAFEL DIAG. | POS. POS. | ID-NR. ID-NO. | TAFEL DIAG. | POS. POS. |
|------------------|----------------|--------------|------------------|----------------|--------------|------------------|----------------|--------------|------------------|----------------|--------------|------------------|----------------|--------------|
| 00 904 094 0 | 45.0 | 15 | 00 905 159 2 | 63.0 | 33 | 00 905 253 1 | 92.3 | 9 | 00 908 207 1 | 81.0 | 23 | 00 908 215 0 | 75.0 | 30 |
| 00 904 332 1 | 65.0 | 38 | 00 905 159 2 | 65.0 | 6 | 00 905 255 1 | 36.0 | 42 | 00 908 207 1 | 89.0 | 5 | 00 908 220 0 | 13.0 | 33 |
| 00 904 347 1 | 12.0 | 1 | 00 905 159 2 | 73.0 | 6 | 00 905 255 1 | 53.3 | 27 | 00 908 208 0 | 41.0 | 49 | 00 908 220 0 | 42.0 | 34 |
| 00 904 347 1 | 20.0 | 1 | 00 905 178 2 | 58.0 | 26 | 00 905 303 4 | 2.0 | 4 | 00 908 208 0 | 82.0 | 10 | 00 908 220 0 | 42.1 | 34 |
| 00 904 347 1 | 28.0 | 1 | 00 905 178 2 | 58.2 | 26 | 00 905 341 0 | 67.0 | 34 | 00 908 208 0 | 83.0 | 10 | 00 908 220 0 | 44.0 | 39 |
| 00 904 708 0 | 6.0 | 2 | 00 905 230 1 | 41.0 | 41 | 00 905 341 0 | 68.0 | 30 | 00 908 210 0 | 12.3 | 15 | 00 908 220 0 | 45.0 | 38 |
| 00 904 708 0 | 7.3 | 2 | 00 905 230 1 | 65.0 | 27 | 00 905 911 0 | 41.0 | 16 | 00 908 210 0 | 15.0 | 62 | 00 908 220 0 | 50.0 | 36 |
| 00 904 708 0 | 13.0 | 2 | 00 905 231 1 | 69.0 | 7 | 00 905 922 1 | 47.0 | 45 | 00 908 210 0 | 21.0 | 4 | 00 908 225 0 | 2.0 | 29 |
| 00 904 708 0 | 22.0 | 39 | 00 905 231 1 | 70.0 | 28 | 00 905 922 1 | 51.0 | 6 | 00 908 210 0 | 26.0 | 14 | 00 908 500 0 | 2.0 | 10 |
| 00 904 708 0 | 42.0 | 10 | 00 905 232 1 | 12.3 | 12 | 00 905 933 1 | 2.0 | 19 | 00 908 210 0 | 32.0 | 4 | 00 908 500 0 | 36.0 | 12 |
| 00 904 708 0 | 42.1 | 10 | 00 905 232 1 | 34.2 | 12 | 00 906 003 1 | 81.0 | 6 | 00 908 210 0 | 34.2 | 15 | 00 908 500 0 | 37.0 | 12 |
| 00 904 708 0 | 47.0 | 34 | 00 905 232 1 | 64.0 | 12 | 00 906 007 1 | 11.0 | 17 | 00 908 210 0 | 46.0 | 15 | 00 908 500 0 | 41.0 | 18 |
| 00 904 708 0 | 60.0 | 4 | 00 905 233 1 | 36.0 | 40 | 00 906 007 1 | 19.0 | 17 | 00 908 210 0 | 59.0 | 23 | 00 908 500 0 | 51.0 | 38 |
| 00 904 712 1 | 75.0 | 33 | 00 905 233 1 | 59.0 | 40 | 00 906 007 1 | 26.0 | 16 | 00 908 210 0 | 76.0 | 9 | 00 908 500 0 | 52.0 | 28 |
| 00 904 731 2 | 35.0 | 6 | 00 905 237 0 | 76.0 | 23 | 00 906 007 1 | 27.0 | 25 | 00 908 210 0 | 88.2 | 13 | 00 908 515 1 | 48.0 | 36 |
| 00 904 732 2 | 58.0 | 3 | 00 905 237 0 | 76.0 | 29 | 00 906 010 1 | 48.0 | 30 | 00 908 212 0 | 2.0 | 7 | 00 908 519 0 | 2.0 | 37 |
| 00 904 732 2 | 58.2 | 3 | 00 905 241 1 | 63.0 | 39 | 00 906 031 0 | 81.0 | 5 | 00 908 212 0 | 12.3 | 10 | 00 908 521 2 | 10.0 | 30 |
| 00 904 732 2 | 59.0 | 21 | 00 905 241 1 | 64.0 | 6 | 00 906 039 0 | 43.0 | 6 | 00 908 212 0 | 26.0 | 26 | 00 908 521 2 | 18.0 | 30 |
| 00 904 743 1 | 4.0 | 18 | 00 905 241 1 | 70.0 | 26 | 00 906 040 1 | 49.0 | 16 | 00 908 212 0 | 34.2 | 10 | 00 908 521 2 | 26.0 | 40 |
| 00 904 743 1 | 5.0 | 32 | 00 905 251 2 | 60.0 | 27 | 00 906 808 0 | 47.0 | 9 | 00 908 212 0 | 36.0 | 31 | 00 908 521 2 | 27.0 | 18 |
| 00 904 745 1 | 47.0 | 17 | 00 905 251 2 | 62.0 | 3 | 00 906 813 0 | 43.0 | 48 | 00 908 212 0 | 42.0 | 47 | 00 908 524 2 | 10.0 | 33 |
| 00 904 745 1 | 58.0 | 15 | 00 905 251 2 | 63.0 | 3 | 00 906 814 1 | 1.0 | 11 | 00 908 212 0 | 46.0 | 19 | 00 908 524 2 | 12.0 | 10 |
| 00 904 745 1 | 58.2 | 15 | 00 905 251 2 | 67.0 | 42 | 00 906 814 1 | 1.1 | 11 | 00 908 212 0 | 48.0 | 44 | 00 908 524 2 | 18.0 | 33 |
| 00 904 817 1 | 4.0 | 18 | 00 905 252 1 | 12.3 | 3 | 00 908 006 1 | 74.0 | 5 | 00 908 212 0 | 51.0 | 21 | 00 908 524 2 | 20.0 | 11 |
| 00 904 817 1 | 5.0 | 32 | 00 905 252 1 | 34.0 | 3 | 00 908 006 1 | 88.2 | 4 | 00 908 212 0 | 59.0 | 26 | 00 908 524 2 | 21.0 | 18 |
| 00 904 850 1 | 1.0 | 7 | 00 905 252 1 | 34.2 | 3 | 00 908 031 1 | 13.0 | 22 | 00 908 212 0 | 67.0 | 35 | 00 908 524 2 | 26.0 | 3 |
| 00 904 850 1 | 1.1 | 7 | 00 905 252 1 | 42.0 | 17 | 00 908 039 1 | 13.0 | 17 | 00 908 212 0 | 68.0 | 31 | 00 908 524 2 | 28.0 | 9 |
| 00 904 850 1 | 2.0 | 35 | 00 905 252 1 | 42.0 | 25 | 00 908 053 0 | 7.0 | 8 | 00 908 212 0 | 69.0 | 12 | 00 908 524 2 | 29.0 | 7 |
| 00 904 850 1 | 42.0 | 13 | 00 905 252 1 | 42.1 | 17 | 00 908 053 0 | 7.6 | 8 | 00 908 212 0 | 75.0 | 15 | 00 908 524 2 | 32.0 | 16 |
| 00 904 850 1 | 42.1 | 13 | 00 905 252 1 | 42.1 | 25 | 00 908 053 0 | 23.0 | 9 | 00 908 212 0 | 82.0 | 28 | 00 908 524 2 | 33.0 | 16 |
| 00 904 882 3 | 42.0 | 44 | 00 905 252 1 | 59.0 | 44 | 00 908 053 0 | 24.0 | 13 | 00 908 212 0 | 84.0 | 13 | 00 908 524 2 | 66.0 | 10 |
| 00 904 882 3 | 42.1 | 44 | 00 905 252 1 | 60.0 | 27 | 00 908 058 0 | 58.0 | 7 | 00 908 215 0 | 42.0 | 37 | 00 908 524 2 | 71.0 | 10 |
| 00 904 884 2 | 42.0 | 41 | 00 905 252 1 | 61.0 | 3 | 00 908 058 0 | 58.2 | 7 | 00 908 215 0 | 42.1 | 37 | 00 908 525 1 | 15.0 | 35 |
| 00 904 884 2 | 42.1 | 41 | 00 905 252 1 | 63.0 | 33 | 00 908 207 1 | 12.0 | 4 | 00 908 215 0 | 46.0 | 26 | 00 908 620 0 | 62.0 | 26 |
| 00 905 157 2 | 53.0 | 20 | 00 905 252 1 | 63.0 | 40 | 00 908 207 1 | 12.3 | 23 | 00 908 215 0 | 50.0 | 10 | 00 908 620 0 | 63.0 | 26 |
| 00 905 157 2 | 53.3 | 27 | 00 905 252 1 | 68.0 | 8 | 00 908 207 1 | 20.0 | 4 | 00 908 215 0 | 51.0 | 24 | 00 908 620 0 | 65.0 | 34 |
| 00 905 157 2 | 58.0 | 30 | 00 905 252 1 | 70.0 | 30 | 00 908 207 1 | 28.0 | 4 | 00 908 215 0 | 54.0 | 31 | 00 908 620 0 | 70.0 | 18 |
| 00 905 157 2 | 58.2 | 30 | 00 905 252 1 | 73.0 | 6 | 00 908 207 1 | 34.0 | 20 | 00 908 215 0 | 54.3 | 17 | 00 908 701 0 | 2.0 | 15 |
| 00 905 157 2 | 60.0 | 24 | 00 905 252 1 | 92.0 | 6 | 00 908 207 1 | 34.2 | 23 | 00 908 215 0 | 55.0 | 15 | 00 908 701 0 | 6.0 | 30 |
| 00 905 159 2 | 62.0 | 33 | 00 905 253 1 | 34.0 | 21 | 00 908 207 1 | 75.0 | 7 | 00 908 215 0 | 70.0 | 11 | 00 908 701 0 | 7.3 | 30 |

CLICK HERE TO **DOWNLOAD** THE COMPLETE MANUAL

- Thank you very much for reading the preview of the manual.
- You can download the complete manual from: www.heydownloads.com by clicking the link below



- Please note: If there is no response to CLICKING the link, please download this PDF first and then click on it.

CLICK HERE TO **DOWNLOAD** THE COMPLETE MANUAL