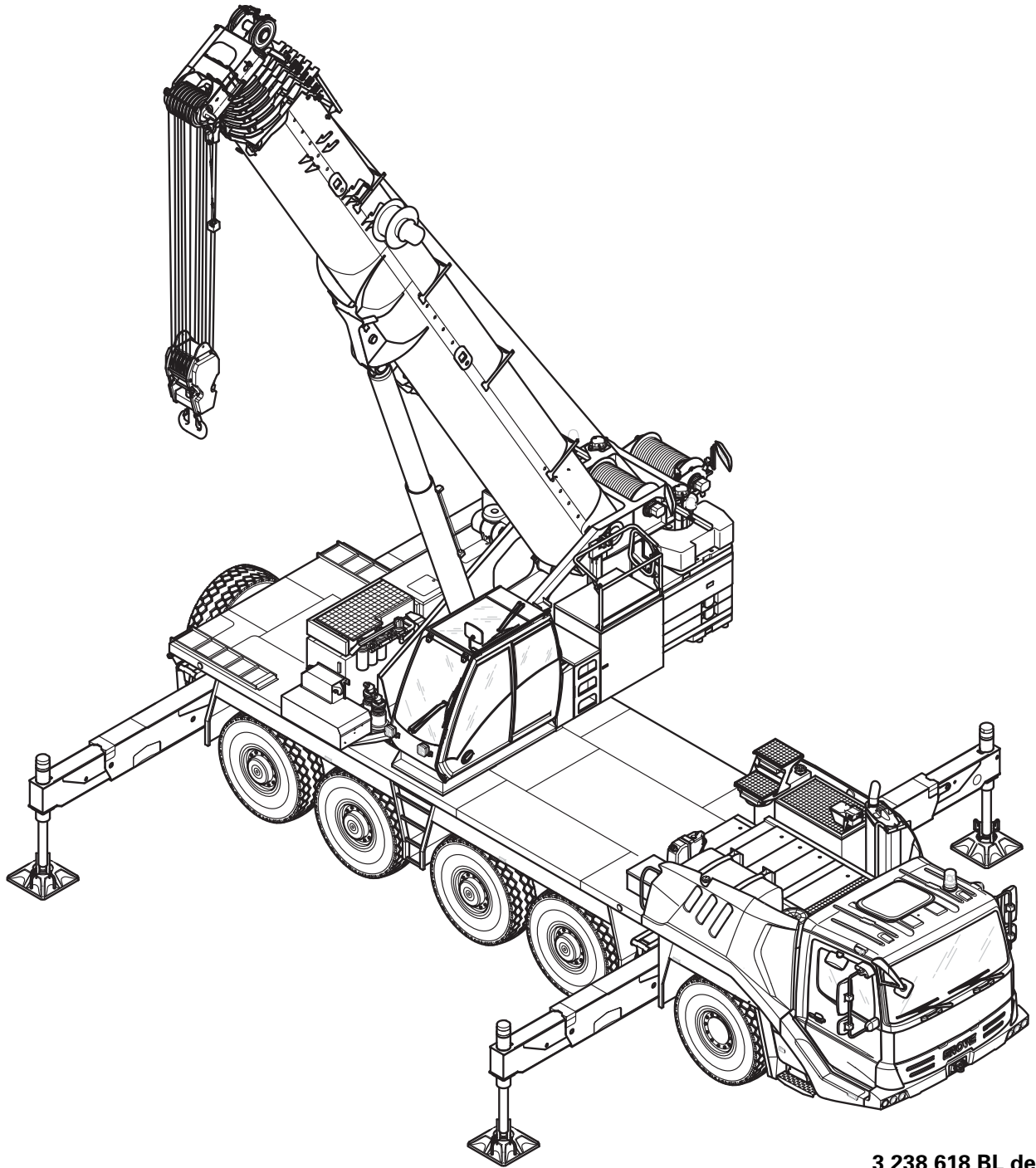


# Ersatzteilliste Teil 1

# Spare parts list Part 1



3 238 618 BL de/en  
01.09.2014

CLICK HERE TO **DOWNLOAD** THE COMPLETE MANUAL

- Thank you very much for reading the preview of the manual.
- You can download the complete manual from: [www.heydownloads.com](http://www.heydownloads.com) by clicking the link below



- Please note: If there is no response to CLICKING the link, please download this PDF first and then click on it.

CLICK HERE TO **DOWNLOAD** THE COMPLETE MANUAL

ABDECKUNG 525/80 R25 (20.50 R25) BEREIFUNG  
COVERING 20,5" SET OF TIRES



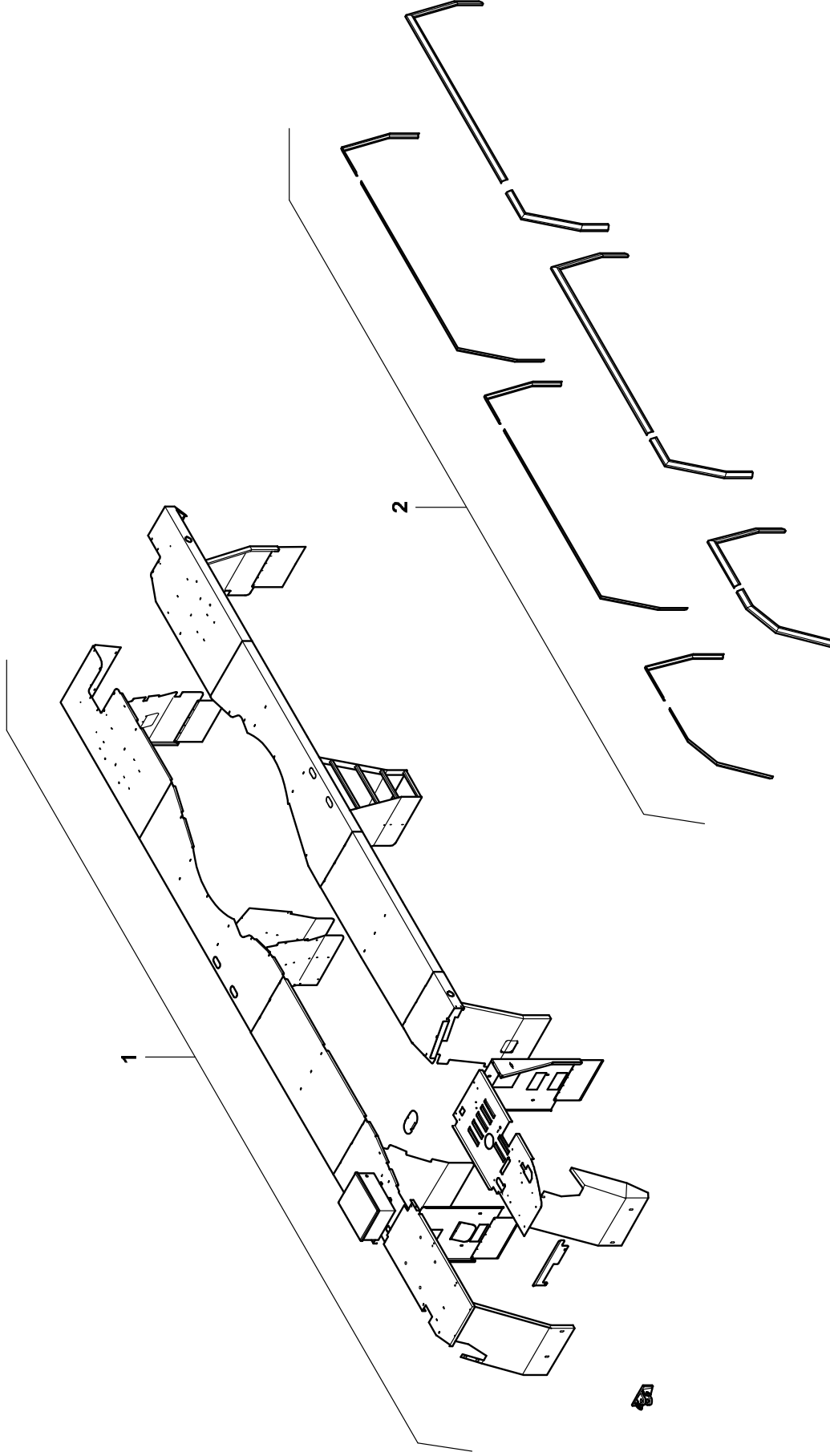
BILDTAFFEL  
PICTORIAL DISPLAY

03.13

1/1

3203303-ETL B

GMK 5095  
BE 505  
G 034



| POS. | TEILE-NR.<br>PART-NO. | MENGE<br>QUANTITY | BENENNUNG      | DESIGNATION |
|------|-----------------------|-------------------|----------------|-------------|
| 004  | 1682033               | 1.0               | SCHMUTZFAENGER | MUD FLAP    |

|                           |                                 |  |   |                      |                              |
|---------------------------|---------------------------------|--|---|----------------------|------------------------------|
| <b>GROVE</b> <sup>®</sup> | SPRITZBLECH<br>PROTECTING SHEET |  | ERSATZTEILLISTE<br>LIST OF SPARE PARTS<br>04.11 | 3129990-ETL #<br>1/1 | GIMK 5095<br>BE 505<br>G 034 |
|                           |                                 |  |   |                      |                              |

**GROVE**<sup>®</sup>

ABDECKKLAPPE  
PROTECTIVE COVER

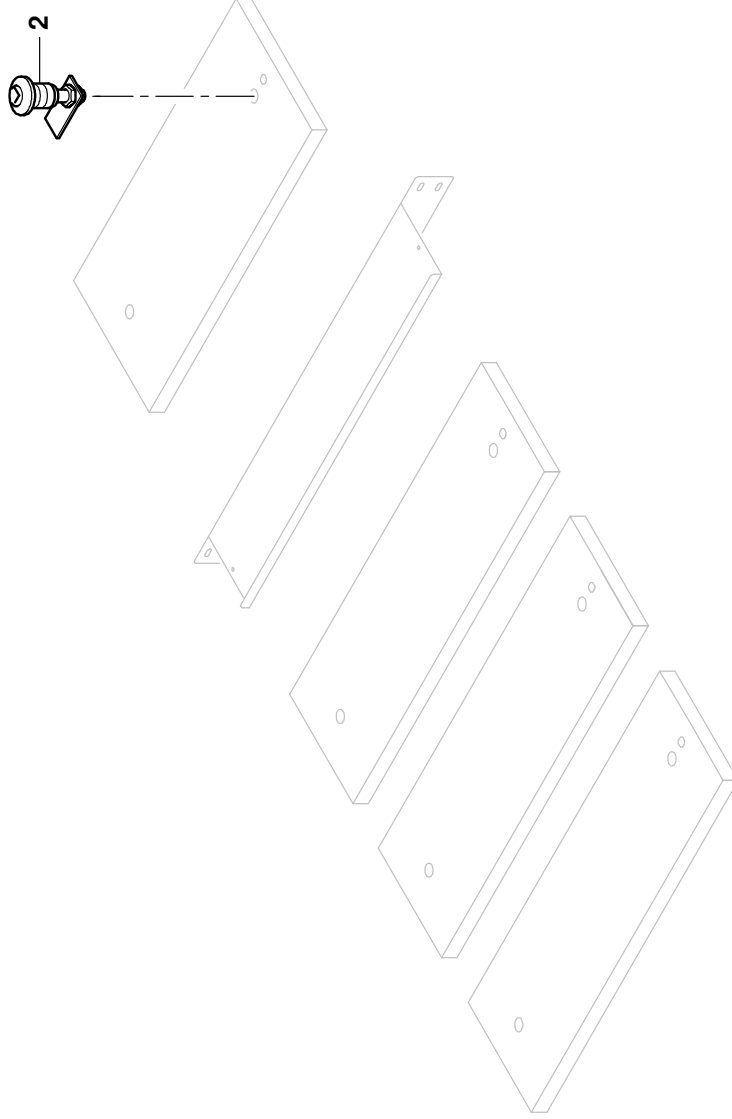
BILDTAFFEL  
PICTORIAL DISPLAY

08.08

1/1

**3125798-ETL A**

**GMK 5095  
BE 505  
G 034**



| POS.<br>POS. | TEILE-NR.<br>PART-NO. | MENGE<br>QUANTITY | BENENNUNG             | DESIGNATION              |
|--------------|-----------------------|-------------------|-----------------------|--------------------------|
| 001          | 2315390               | 4.0               | VERSCHLUSS-STOPFEN    | SCREW PLUG               |
| 002          | 3316920               | 1.0               | BREMSENTRAEGER        | BRAKE ANCHOR PLATE       |
| 003          | 2315402               | 1.0               | DECKPLATTE            | COVER PLATE              |
| 004          | 2315398               | 2.0               | ZUGFEDER              | TENSION SPRING           |
| 005          | 3326576               | 2.0               | ZUGFEDER              | TENSION SPRING           |
| 006          | 3316630               | 2.0               | BREMSSACKKE MIT BELAG | BRAKE SHOE WITH COVERING |
| 007          | 2315401               | 2.0               | SPREIZVORRICHTUNG     | EXPANDER UNIT            |
| 008          | 1927225               | 2.0               | MUTTER                | NUT                      |
| 009          | 3316921               | 8.0               | SICHERUNGSSCHRAUBE    | SAFETY SCREW             |

|                           |                                 |     |  |                              |
|---------------------------|---------------------------------|-----|--|------------------------------|
| <b>GROVE</b> <sup>®</sup> | DUPLREX BREMSE<br>DUPLREX BRAKE |     | ERSATZTEILLISTE<br>LIST OF SPARE PARTS<br><b>3316919-ETL A</b> | GIMK 5095<br>BE 505<br>G 061 |
|                           | 03.13                           | 1/1 |  |                              |

RADANTRIEB  
WHEEL DRIVE

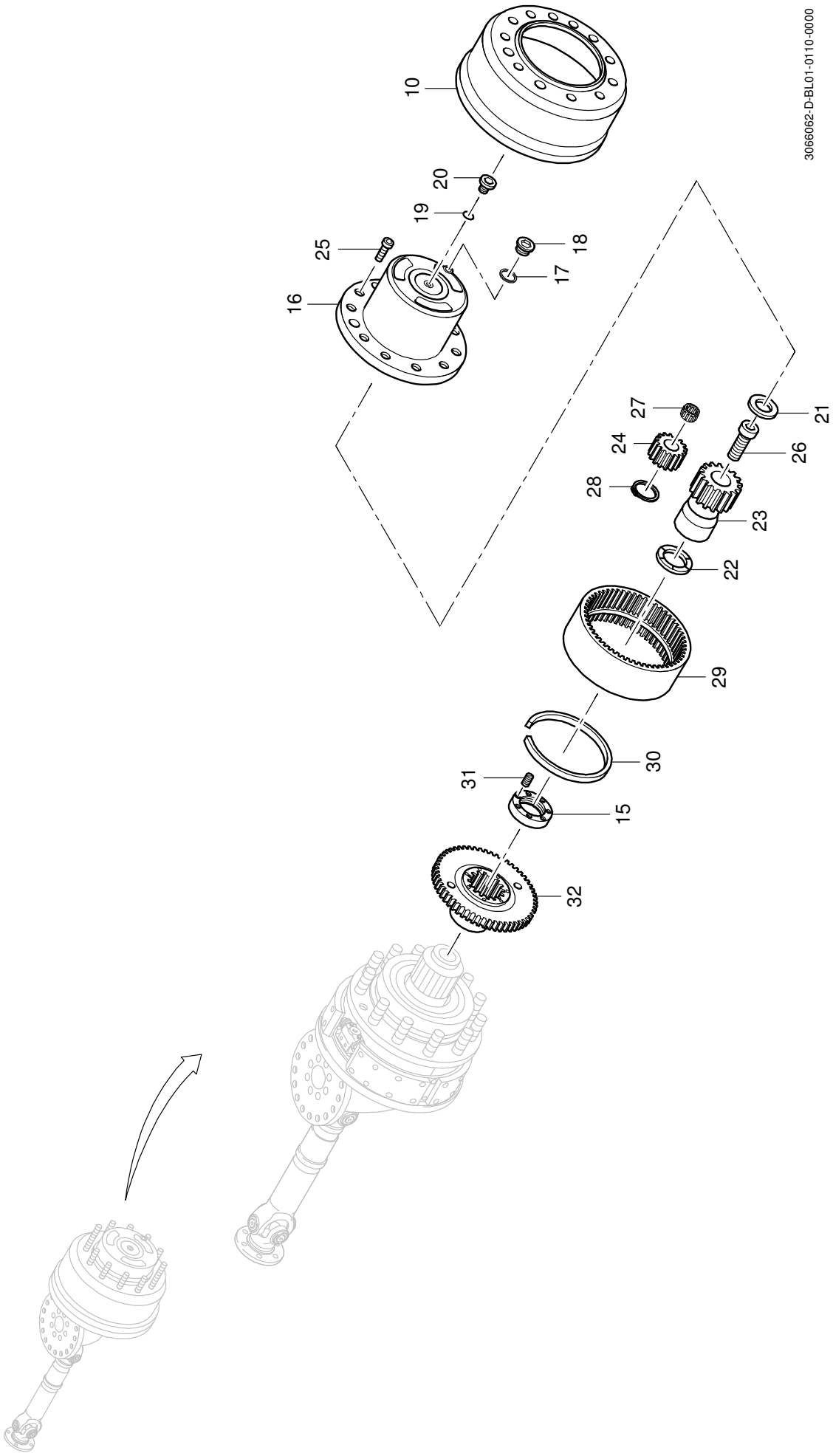
BILDTADEL  
PICTORIAL DISPLAY

01.10

1/1

3066062-ETL D

GMK 5095  
BE 505  
G 061



| POS. | TEILE-NR.<br>PART-NO. | MENGE<br>QUANTITY | BENENNUNG          | DESIGNATION                  |
|------|-----------------------|-------------------|--------------------|------------------------------|
| 001  | 3324497-ETL           | 1.0               | FEDERBEIN (MONTAN) | SUSPENSION CYLINDER (MONTAN) |
| 002  | 3324498-ETL           | 1.0               | FEDERBEIN (PACOMA) | SUSPENSION CYLINDER (PACOMA) |

|                           |                                    |  |  |   |
|---------------------------|------------------------------------|--|--|---|
| <b>GROVE</b> <sup>®</sup> | FEDERBEIN<br>SHOCK-ABSORBING STRUT |  | ERSATZTEILLISTE<br>LIST OF SPARE PARTS | <b>GIMK 5095</b><br><b>BE 505</b><br><b>G 061</b> |
|                           |                                    |  | 09.12                                  | <b>3078845-ETL A</b> 1/1                          |



RAEDER AL 385/95 R25 (14.00 R25) PROFIL XGC  
AL WHEEL 385/95 R25 (14.00 R25) PROFILE XGC

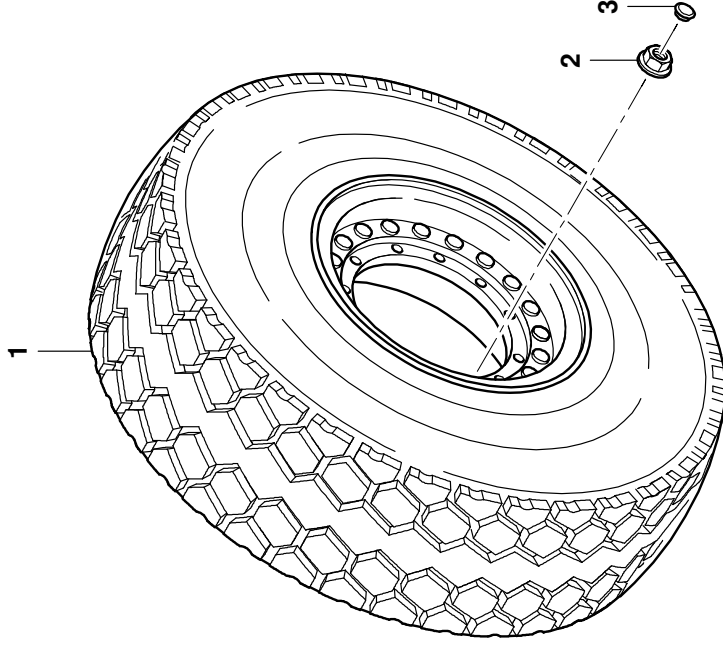
BILDTAFFEL  
PICTORIAL DISPLAY

11.12

1/1

3219868-ETL A

GMK 5095  
BE 505  
G 061



| POS.<br>POS. | TEILE-NR.<br>PART-NO. | MENGE<br>QUANTITY | BENENNUNG                              | DESIGNATION                            |
|--------------|-----------------------|-------------------|--|--|
| 001          | 3203388-ETL           | 1.0               | RAD KPL. 525 / 80 R25 (20.50 R25), ALU | WHEEL CPL. 525/80 R25 (20.50 R25), ALU |
| 002          | 7659100000            | 12.0              | RADMUTTER                              | WHEEL NUT                              |
| 003          | 80038328              | 12.0              | STOPFEN                                | PLUG                                   |



RAEDER AL 525/80 R25 (20.5 R25) PROFIL VHS  
AL WHEEL 525/80 R25 (20.5 R25) PROFILE VHS

ERSATZTEILLISTE  
LIST OF SPARE PARTS

09.12      **3203389-ETL B**      1/1

**GIMK 5095**  
**BE 505**  
**G 061**

ALLRADLENKUNG  
ALL-WHEEL STEERING

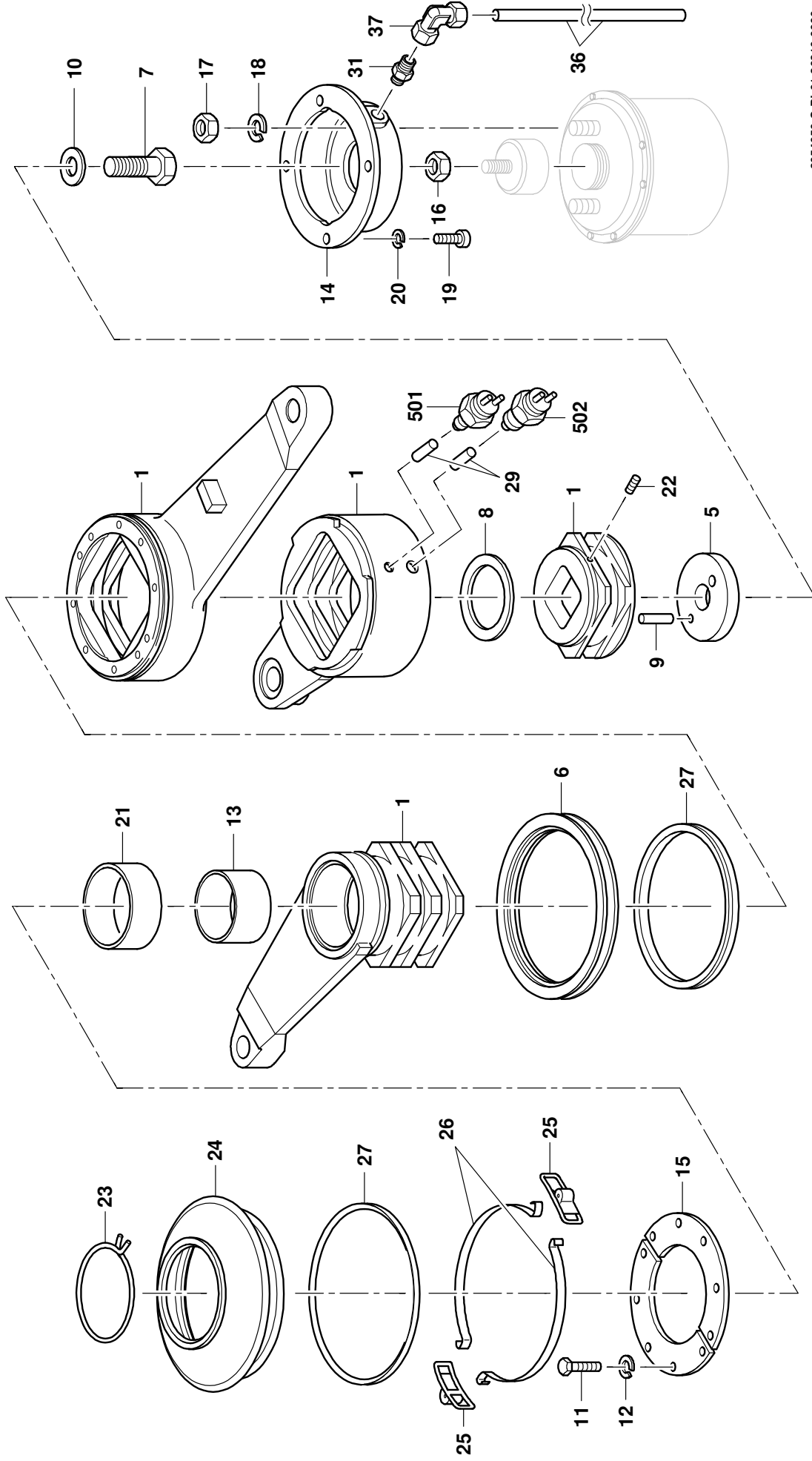
BILDTADEL  
PICTORIAL DISPLAY

203.10

1/1

3054050-ETL C

GMK 5095  
BE 505  
G 072



| POS.<br>POS. | TEILE-NR.<br>PART-NO. | MENGE<br>QUANTITY | BENENNUNG          | DESIGNATION      |
|--------------|-----------------------|-------------------|--------------------|------------------|
| 001          | 3328322               | 1.0               | KUGELGELENK        | BALL PIVOT       |
| 002          | 3328323               | 1.0               | KUGELGELENK        | BALL PIVOT       |
| 003          | 3328324               | 2.0               | KLEMMSCHELLE, KPL. | CLAMP STRAP CPL. |
| 004          | 1921799               | 2.0               | KRONENMUTTER       | CASTLE NUT       |
| 005          | 1147603               | 2.0               | SPLINT             | COTTER PIN       |

|                           |  |  |  |   |
|---------------------------|--|--|--|---|
| <b>GROVE</b> <sup>®</sup> | LENKSTANGE (HEYD)<br>STEERING ROD (HEYD) |  | ERSATZTEILLISTE<br>LIST OF SPARE PARTS | <b>GIMK 5095</b><br><b>BE 505</b><br><b>G 072</b> |
|                           |  |  | 07.08                                  | 1/1   |
|                           |  |  | <b>3125856-ETL A</b>                   |   |

SCHLAUCHLEITUNGEN ABSTUETZUNG VORNE  
HOSES , SUPPORT FRONT



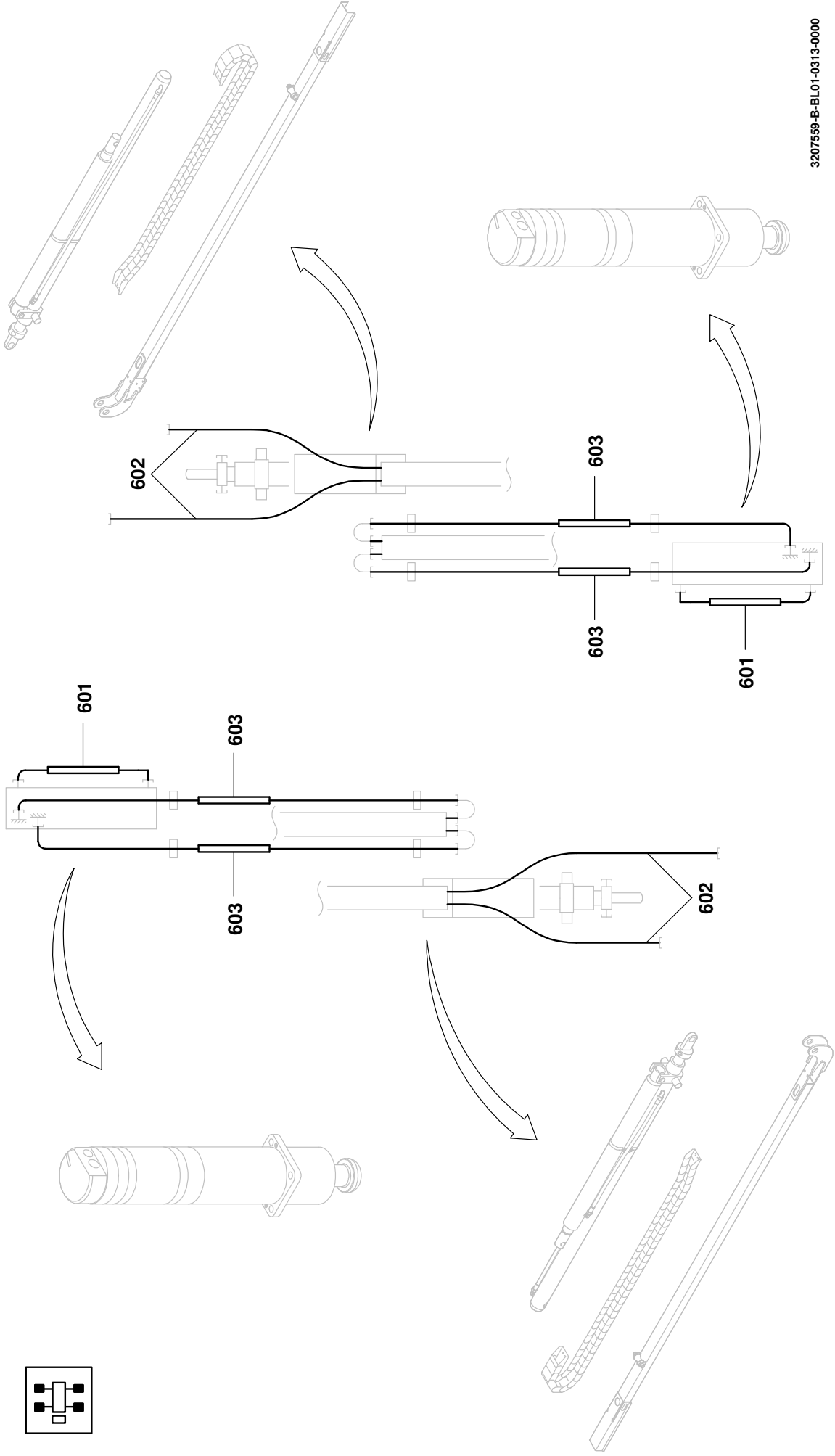
BILDTADEL  
PICTORIAL DISPLAY

03.13

1/1

3207559-ETL B

GMK 5095  
BE 505  
G 460



| POS.<br>POS. | TEILE-NR.<br>PART-NO. | MENGE<br>QUANTITY | BENENNUNG               | DESIGNATION                 |
|--------------|-----------------------|-------------------|-------------------------|-----------------------------|
| 004          | 3204563-ETL           | 1.0               | ANSAUGANLAGE            | SUCTION SYSTEM              |
| 005          | 3204564-ETL           | 1.0               | ABGASANLAGE             | EXHAUST SYSTEM              |
| 006          | 3150957-ETL           | 1.0               | KRAFTSTOFFSCHEMA        | FUEL-DIAGRAM                |
| 007          | 3204565-ETL           | 1.0               | EINBAU DIESELTANKANLAGE | MOUNTING DIESEL TANK SYSTEM |
| 008          | 3204566-ETL           | 1.0               | EINBAU HARNSTOFFTANK    | MOUNTING UREA TANK          |

|                           |  |  |  |   |
|---------------------------|--|--|--|---|
| <b>GROVE</b> <sup>®</sup> | ANTRIEB UNTERWAGEN 10X6 E3B/4I<br>DRIVE UNIT FOR CHASSIS FRAME 10X6 E3B/4I |  | ERSATZTEILLISTE<br>LIST OF SPARE PARTS | <b>GIMK 5095</b><br><b>BE 505</b><br><b>G 631</b> |
|                           |  |  | <b>3204575-ETL A</b>                   | 2/2   |
|                           |  |  | 03.13                                  |   |



KUEHLMITTELpumpe  
COOLANT PUMP

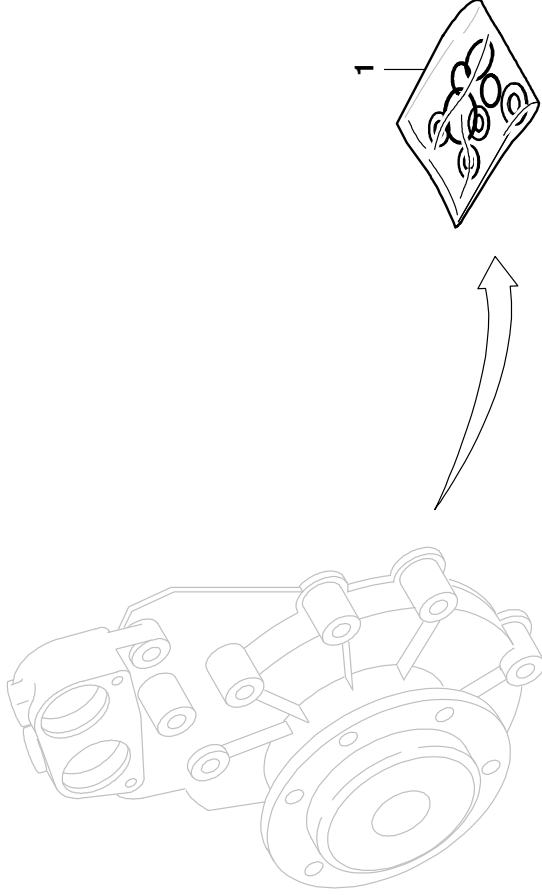
BILDtafel  
PICTORIAL DISPLAY

02.11

1/1

3144261-ETL #

GMK 5095  
BE 505  
G 631



| POS.<br>POS. | TEILE-NR.<br>PART-NO. | MENGE<br>QUANTITY | BENENNUNG     | DESIGNATION    |
|--------------|-----------------------|-------------------|---------------|----------------|
| 001          | 4157130               | 1.0               | REPARATURSATZ | REPAIR KIT     |
| 002          | 3328326               | 1.0               | NADELLAGER    | NEEDLE BEARING |
| 003          | 3328327               | 1.0               | DECKEL        | COVER          |
| 004          | 3135659               | 1.0               | DICHTUNGSSATZ | SET OF SEALS   |
| 005          | 4157131               | 1.0               | WEGSENSOR     | LENGTH SENSOR  |

|                           |   |  |  |  |
|---------------------------|---|--|--|--|
| <b>GROVE</b> <sup>®</sup> | STELLZYLINDER KPL.<br>ADJUSTING CYLINDER CPL. |  | ERSATZTEILLISTE<br>LIST OF SPARE PARTS | <b>GMK 5095</b><br><b>BE 505</b><br><b>G 631</b> |
|                           |   |  | 12.12                                  | 1/1  |
|                           |   |  | <b>3328349-ETL B</b>                   |  |

**GROVE**<sup>®</sup>

PUMPE KPL.  
PUMP CPL.

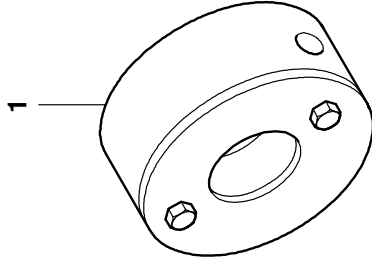
BILDTAFFEL  
PICTORIAL DISPLAY

08.08

1/1

**2313415-ETL A**

**GMK 5095**  
**BE 505**  
**G 631**



| POS.<br>POS. | TEILE-NR.<br>PART-NO. | MENGE<br>QUANTITY | BENENNUNG                 | DESIGNATION                |
|--------------|-----------------------|-------------------|---------------------------|----------------------------|
| 001          | 3323508               | 1.0               | FLACHSTECKERGEHAEUSE      | PLUG CASIGN, MALE TYPE     |
| 002          | 3323564               | 2.0               | KONTAKTFEDER              | CONTACT SPRING             |
| 003          | 3041216               | 4.0               | EINZELLEITERDICHTUNG      | SINGLE-LINE SEAL           |
| 004          | 3325763               | 2.0               | GUMMIKAPPE                | RUBBER CAP                 |
| 005          | 2212600               | 2.5               | STEUERLEITUNG (METERWARE) | CONTROL LINE (YARD GOOD)   |
| 006          | 3041215               | 2.0               | JUNIOR-POWER-TIMERKONTAKT | JUNIOR POWER TIMER CONTACT |
| 007          | 3041720               | 1.0               | TIMERGEHAEUSE             | TIMER HOUSIGN              |

|                           |   |               |  |                              |
|---------------------------|---|---------------|--|------------------------------|
| <b>GROVE</b> <sup>®</sup> | KABELBAUM ZUSATZKUEHLER<br>CABLE HARNESS, AUXILIARY INTERCOOLER |               | ERSATZTEILLISTE<br>LIST OF SPARE PARTS | GIMK 5095<br>BE 505<br>G 631 |
|                           | 205.09  | 3192583-ETL # |  |                              |

WASSERABSCHIEDER / VORFILTER  
WATER SEPARATOR / PREFILTER

**GROVE**<sup>®</sup>

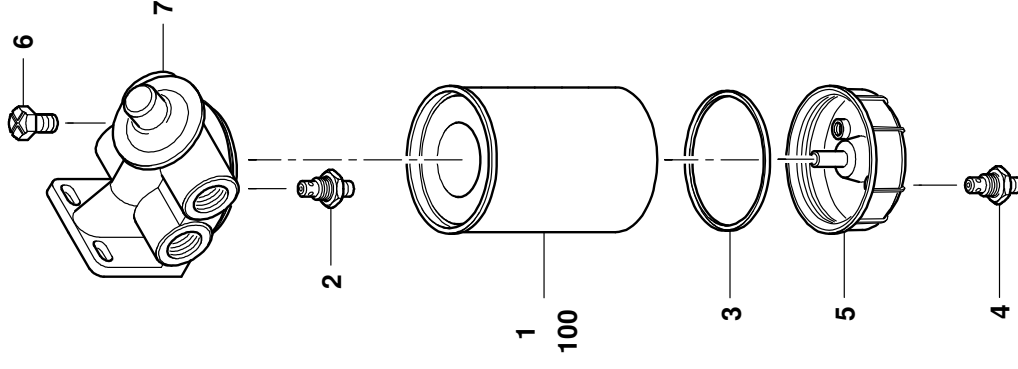
BILDTAFFEL  
PICTORIAL DISPLAY

04.12

1/1

**3320643-ETL E**

**GMK 5095  
BE 505  
G 631**



| POS.<br>POS. | TEILE-NR.<br>PART-NO. | MENGE<br>QUANTITY | BENENNUNG   | DESIGNATION  |
|--------------|-----------------------|-------------------|---|--|
| 001          | 3217533-ETL           | 1.0               | DRUCKLUFTANLAGE FAHRGESTELL OHNE LENKUNG<br>VOM OBERWAGEN | COMPRESSED AIR SYSTEM CHASSISWITHOUT<br>STEERING FROM SUPERSTRUCTURE |
| 002          | 3217534-ETL           | 1.0               | DRUCKLUFTANLAGE FAHRGESTELL MIT LENKUNG<br>VOM OBERWAGEN  | COMPRESSED AIR SYSTEM CHASSISWITH STEERING<br>FROM SUPERSTRUCTURE    |

|               |  |  |  |                                       |
|---------------|--|--|--|---------------------------------------|
| <b>GROVE®</b> | VARIANTEN DRUCKLUFTANLAGE UW<br>VARIANTS COMPRESSED AIR SYSTEM CHASSIS |  | ERSATZTEILLISTE<br>LIST OF SPARE PARTS | <b>GIMK 5095<br/>BE 505<br/>G 751</b> |
|               |  |  | 03.13                                  | 2/2                                   |
|               |  |  | <b>3217532-ETL A</b>                   |                                       |

RELAISVENTIL ZWEIKREISIG  
RELAY VALVE DUAL CIRCUIT



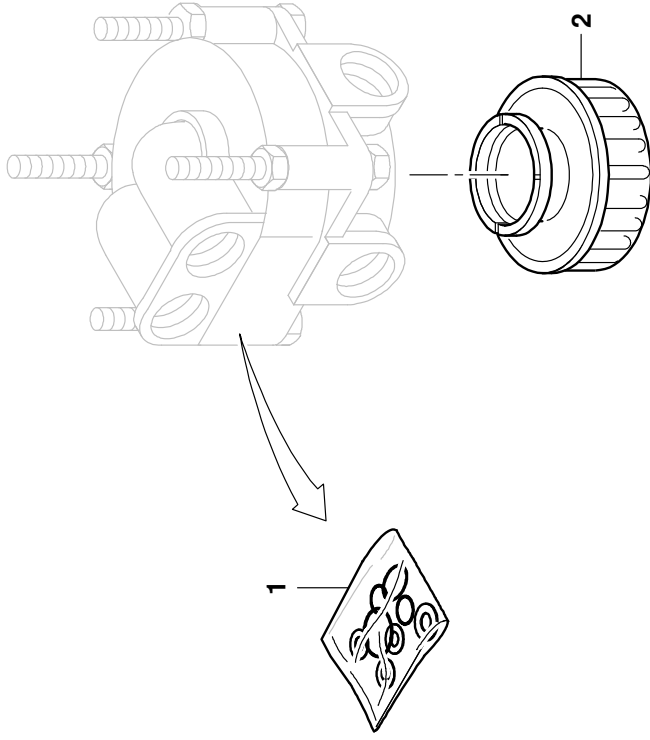
BILDTAFFEL  
PICTORIAL DISPLAY

08.08

1/1

3323611-ETL A

GMK 5095  
BE 505  
G 751



| POS.<br>POS. | TEILE-NR.<br>PART-NO. | MENGE<br>QUANTITY | BENENNUNG | DESIGNATION |
|--------------|-----------------------|-------------------|-----------|-------------|
| 001          | 3042366               | 1.0               | VENTIL    | VALVE       |
| 002          | 3042367               | 1.0               | O-RING    | O-RING      |

|                           |                                     |  |  |       |               |     |                              |
|---------------------------|-------------------------------------|--|--|-------|---------------|-----|------------------------------|
| <b>GROVE</b> <sup>®</sup> | 2-WEGE-VENTIL<br>DOUBLE CHECK VALVE |  | ERSATZTEILLISTE<br>LIST OF SPARE PARTS | 08.08 | 2255975-ETL # | 1/1 | GIMK 5095<br>BE 505<br>G 751 |
|                           |                                     |  |  |       |               |     |                              |

| POS.<br>POS. | TEILE-NR.<br>PART-NO. | MENGE<br>QUANTITY | BENENNUNG       | DESIGNATION |
|--------------|-----------------------|-------------------|-----------------|-------------|
| 328          | 3329334               | 1.0               | SCHLAUCHLEITUNG | HOSE        |
| 332          | 3318053               | 1.0               | SCHLAUCHLEITUNG | HOSE        |
| 333          | 3318404               | 1.0               | SCHLAUCHLEITUNG | HOSE        |
| 336          | 2253056               | 1.0               | SCHLAUCHLEITUNG | HOSE        |
| 337          | 3329338               | 1.0               | SCHLAUCHLEITUNG | HOSE        |
| 338          | 3136119               | 1.0               | SCHLAUCHLEITUNG | HOSE        |
| 340          | 2311830               | 1.0               | SCHLAUCHLEITUNG | HOSE        |
| 341          | 3140970               | 1.0               | SCHLAUCHLEITUNG | HOSE        |
| 342          | 2318621               | 1.0               | SCHLAUCHLEITUNG | HOSE        |
| 344          | 4158074               | 1.0               | SCHLAUCHLEITUNG | HOSE        |
| 345          | 2311830               | 1.0               | SCHLAUCHLEITUNG | HOSE        |
| 348          | 2250910               | 1.0               | SCHLAUCHLEITUNG | HOSE        |
| 349          | 2250910               | 1.0               | SCHLAUCHLEITUNG | HOSE        |
| 351          | 3329694               | 1.0               | SCHLAUCHLEITUNG | HOSE        |
| 352          | 2318736               | 1.0               | SCHLAUCHLEITUNG | HOSE        |
| 353          | 2318740               | 1.0               | SCHLAUCHLEITUNG | HOSE        |
| 354          | 2318638               | 1.0               | SCHLAUCHLEITUNG | HOSE        |
| 357          | 3329695               | 1.0               | SCHLAUCHLEITUNG | HOSE        |
| 361          | 0552698               | 1.0               | SCHLAUCHLEITUNG | HOSE        |
| 363          | 3329347               | 1.0               | SCHLAUCHLEITUNG | HOSE        |
| 364          | 3323805               | 1.0               | SCHLAUCHLEITUNG | HOSE        |
| 365          | 3329349               | 1.0               | SCHLAUCHLEITUNG | HOSE        |
| 366          | 2318650               | 1.0               | SCHLAUCHLEITUNG | HOSE        |
| 367          | 2318651               | 1.0               | SCHLAUCHLEITUNG | HOSE        |
| 368          | 3318376               | 1.0               | SCHLAUCHLEITUNG | HOSE        |
| 369          | 2318649               | 1.0               | SCHLAUCHLEITUNG | HOSE        |
| 370          | 4158075               | 1.0               | SCHLAUCHLEITUNG | HOSE        |
| 371          | 4158076               | 2.0               | SCHLAUCHLEITUNG | HOSE        |
| 411          | 2253056               | 1.0               | SCHLAUCHLEITUNG | HOSE        |
| 412          | 2253056               | 1.0               | SCHLAUCHLEITUNG | HOSE        |

|                           |  |  |  |                             |
|---------------------------|--|--|--|-----------------------------|
| <b>GROVE</b> <sup>®</sup> | SCHLAUCHLEITUNGEN FAHRGESTELL<br>HOSES CHASSIS |  | ERSATZTEILLISTE<br>LIST OF SPARE PARTS | GMK 5095<br>BE 505<br>G 781 |
|                           |  |  | 03.13                                  | 3207567-ETL D<br>1/4        |

DRUCKBEGRENZUNGSVENTIL  
RELIEF VALVE



BILDTAFFEL  
PICTORIAL DISPLAY

05.10

1/1

3321613-ETL A

GMK 5095  
BE 505  
G 781



| POS.<br>POS. | TEILE-NR.<br>PART-NO. | MENGE<br>QUANTITY | BENENNUNG                  | DESIGNATION                      |
|--------------|-----------------------|-------------------|----------------------------|----------------------------------|
| 001          | 3319016               | 1.0               | DICHTUNGSSATZ              | SET OF SEALS                     |
| 002          | 2255709               | 1.0               | RUECKSCHLAGVENTIL          | NON-RETURN VALVE                 |
| 003          | 3135344               | 1.0               | VORSPANN-RUECKSCHLAGVENTIL | PRESSURISIGN-BACK-PRESSURE VALVE |
| 004          | 3142258               | 1.0               | KOLBENSTANGE KPL.          | PISTON ROD CPL.                  |
| 005          | 3142259               | 1.0               | FUEHRUNGSKOPF              | GUIDE HEAD                       |
| 006          | 3043490               | 1.0               | SPRENGRING                 | RETAINING DEVICE                 |
| 007          | 1681836               | 1.0               | DICHTRING                  | SEALING RING                     |
| 008          | 4159340               | 1.0               | GEWINDESTIFT               | THREADED PIN                     |
| 009          | 3045879               | 1.0               | VERSCHLUSS-SCHRAUBE        | SCREW PLUG                       |
| 010          | 3138574               | 1.0               | VERSCHLUSS-STOPFEN         | SCREW PLUG                       |
| 011          | 1922610               | 1.0               | VERSCHLUSS-SCHRAUBE        | SCREW PLUG                       |
| 012          | 1680394               | 1.0               | VERSCHLUSS-SCHRAUBE        | SCREW PLUG                       |

|                           |                                      |  |       |  |               |     |                             |
|---------------------------|--------------------------------------|--|-------|--|---------------|-----|-----------------------------|
| <b>GROVE</b> <sup>®</sup> | ABSTUETZZYLINDER<br>SUPPORT CYLINDER |  | 03.13 | ERSATZTEILLISTE<br>LIST OF SPARE PARTS | 3321661-ETL C | 1/1 | GMK 5095<br>BE 505<br>G 781 |
|                           |                                      |  |       |  |               |     |                             |

ACHSBLOCKIERVENTIL NG 12  
BLOCKING VALVE NG 12



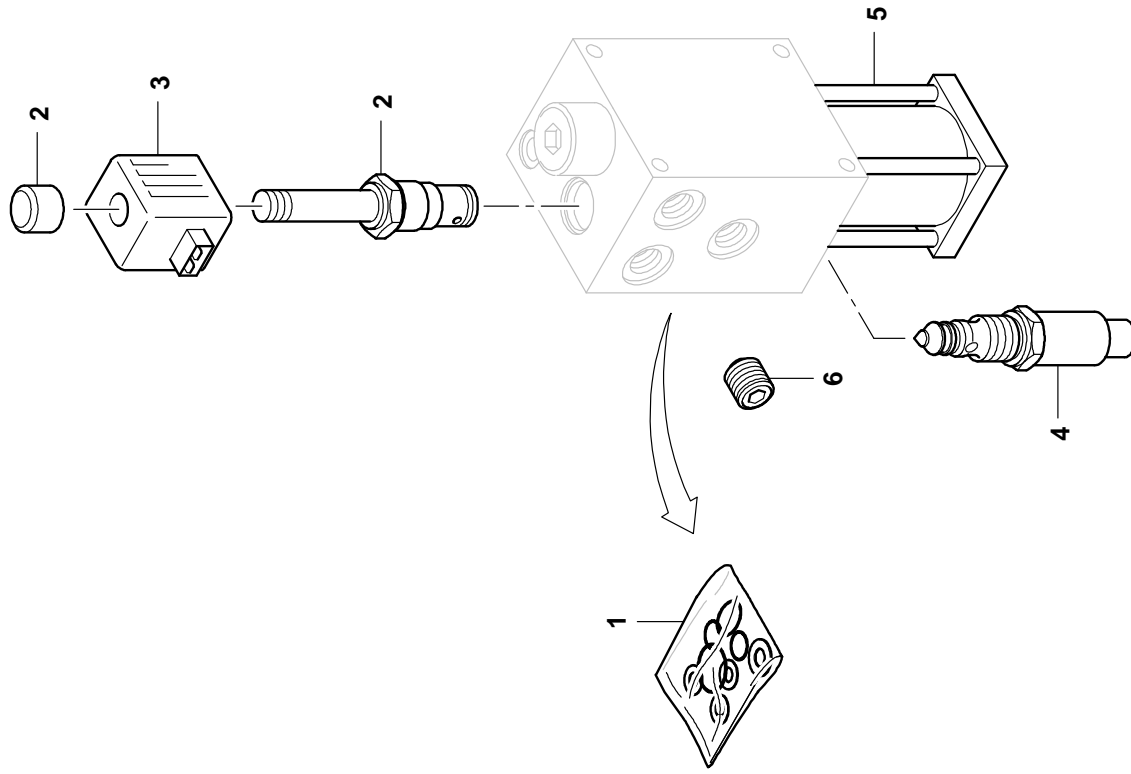
BILDTADEL  
PICTORIAL DISPLAY

08.14

1/1

3135979-ETL E

GMK 5095  
BE 505  
G 781



| POS.<br>POS. | TEILE-NR.<br>PART-NO. | MENGE<br>QUANTITY | BENENNUNG            | DESIGNATION    |
|--------------|-----------------------|-------------------|----------------------|----------------|
| 001          | 3137257               | 1.0               | SCHMIERSTOFFSCHLAUCH | LUBRICANT HOSE |
| 002          | 3137258               | 1.0               | SCHMIERSTOFFSCHLAUCH | LUBRICANT HOSE |
| 003          | 3137259               | 1.0               | SCHMIERSTOFFSCHLAUCH | LUBRICANT HOSE |
| 004          | 3137260               | 1.0               | SCHMIERSTOFFSCHLAUCH | LUBRICANT HOSE |
| 005          | 3137261               | 1.0               | SCHMIERSTOFFSCHLAUCH | LUBRICANT HOSE |
| 006          | 3137262               | 1.0               | SCHMIERSTOFFSCHLAUCH | LUBRICANT HOSE |
| 007          | 3137263               | 1.0               | SCHMIERSTOFFSCHLAUCH | LUBRICANT HOSE |
| 008          | 3137264               | 1.0               | SCHMIERSTOFFSCHLAUCH | LUBRICANT HOSE |
| 009          | 3137265               | 1.0               | SCHMIERSTOFFSCHLAUCH | LUBRICANT HOSE |
| 010          | 3137266               | 1.0               | SCHMIERSTOFFSCHLAUCH | LUBRICANT HOSE |
| 011          | 3137267               | 1.0               | SCHMIERSTOFFSCHLAUCH | LUBRICANT HOSE |
| 012          | 3137268               | 1.0               | SCHMIERSTOFFSCHLAUCH | LUBRICANT HOSE |
| 013          | 3137269               | 1.0               | SCHMIERSTOFFSCHLAUCH | LUBRICANT HOSE |
| 014          | 3137270               | 1.0               | SCHMIERSTOFFSCHLAUCH | LUBRICANT HOSE |

|                           |  |  |  |  |
|---------------------------|--|--|--|--|
| <b>GROVE</b> <sup>®</sup> | SCHMIERSTOFFSCHLAUCH KIT<br>LUBRICANT HOSE KIT |  | ERSATZTEILLISTE<br>LIST OF SPARE PARTS | <b>GMK 5095</b><br><b>BE 505</b><br><b>G 795</b> |
|                           |  |  | 03.13                                  | 1/1  |
|                           |  |  | <b>3157442-ETL A</b>                   |  |

KABELBAUM SEITENMARKIERUNGSLAUCHTE  
CABLE HARNESS, LIGHT

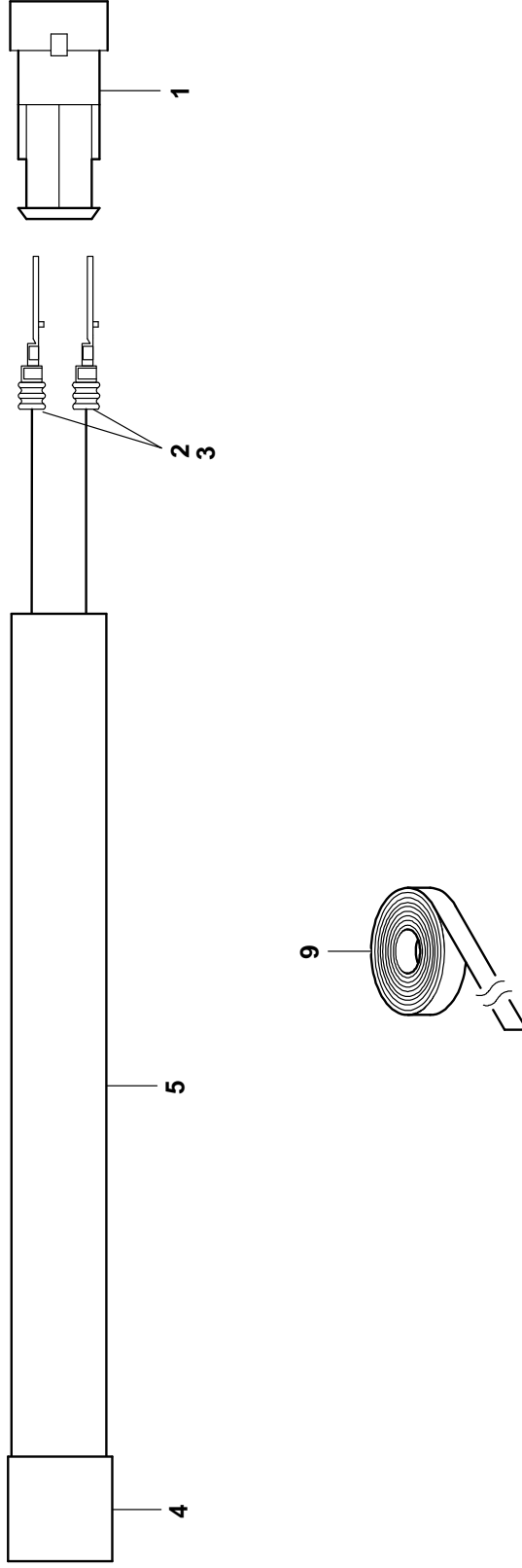
BILDTADEL  
PICTORIAL DISPLAY

01.09

1/1

3326003-ETL A

GMK 5095  
BE 505  
G 801



| POS.<br>POS. | TEILE-NR.<br>PART-NO. | MENGE<br>QUANTITY | BENENNUNG                   | DESIGNATION               |
|--------------|-----------------------|-------------------|-----------------------------|---------------------------|
| 001          | 1377729               | 0.2               | ANLASSERLEITUNG (METERWARE) | WELDING CABLE (YARD GOOD) |
| 002          | 0550379               | 1.0               | BATTERIEKLEMME MINUS        | BATTERY BOX, MINUS        |
| 003          | 0550380               | 1.0               | BATTERIEKLEMME PLUS         | BATTERY BOX, PLUS         |
| 004          | 0554060               | 1.0               | ROHRKABELSCHUH              | EYELET, TUBE TYPE         |
| 005          | 0554061               | 1.0               | ROHRKABELSCHUH              | EYELET, TUBE TYPE         |
| 006          | 1927261               | 2.0               | POLKAPPE                    | POLE CAP                  |
| 010          | 3317069               | 0.1               | SCHRUMPFSCHLAUCH            | SHRINK HOSE               |



KABELBAUM BATTERIE PLUS - BATTERIE MINUS  
CABLE HARNESS BATTERY PLUS - BATTERY MINUS

ERSATZTEILLISTE  
LIST OF SPARE PARTS

01.10 3012723-ETL C 1/1

GMK 5095  
BE 505  
G 801

# KABELBAUM HARNSTOFF SYSTEM CABLE HARNESS UREA SYSTEM

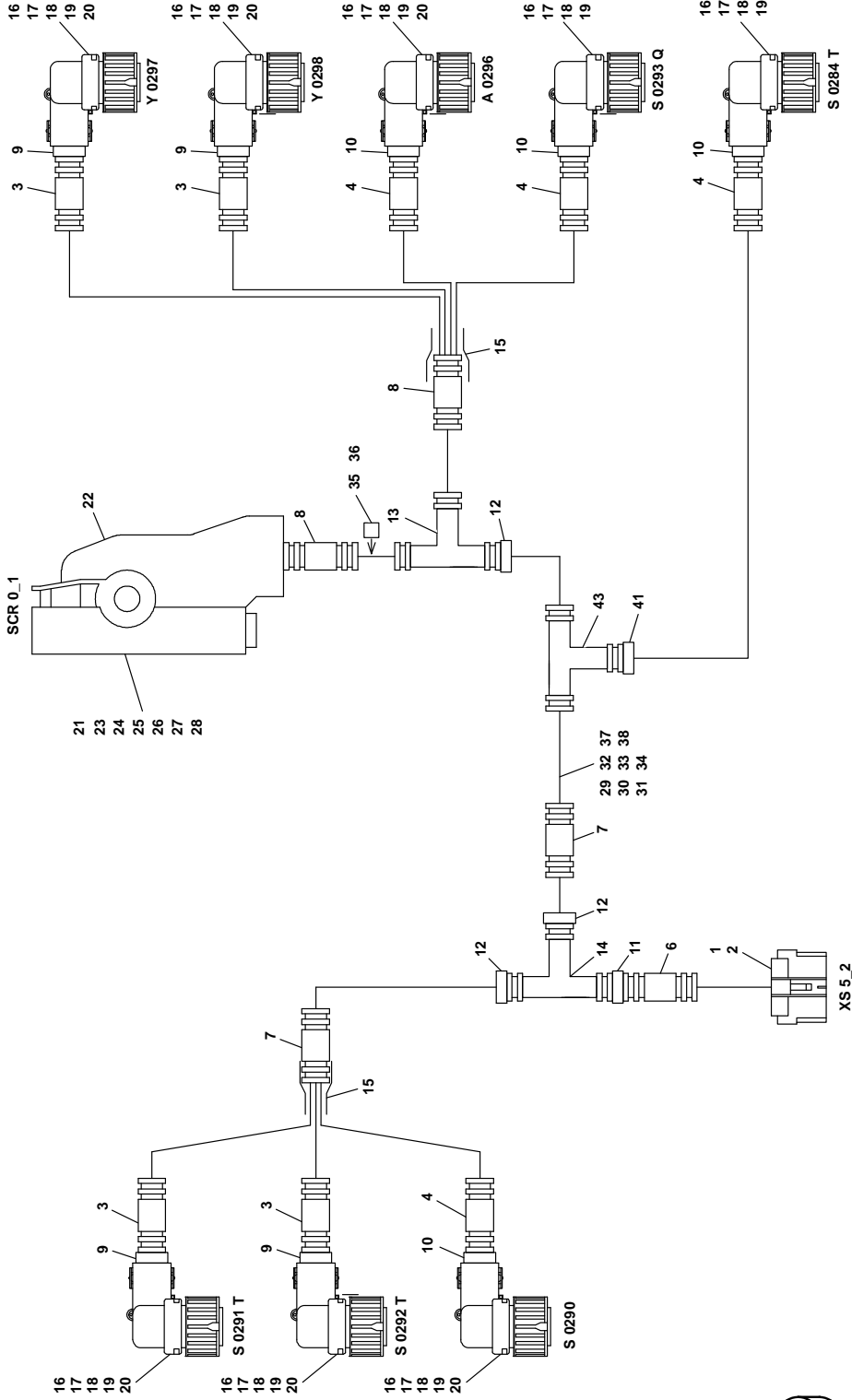
BILDTAFFEL  
PICTORIAL DISPLAY

04.11

3204822-ETL A

1/2

GMK 5095  
BE 505  
G 801



| POS. | TEILE-NR.<br>PART-NO. | MENGE<br>QUANTITY | BENENNUNG | DESIGNATION |
|------|-----------------------|-------------------|-----------|-------------|
| 001  | 3134828               | 1.0               | LAMPE     | BULB        |

|                           |                           |  |               |                    |
|---------------------------|---------------------------|--|---------------|--------------------|
| <b>GROVE</b> <sup>®</sup> | SCHEINWERFER<br>HEADLIGHT | ERSATZTEILLISTE<br>LIST OF SPARE PARTS |               | GMK 5095<br>BE 505 |
|                           |                           | 08.12                                  | 4156198-ETL B |                    |



MOTORVERKLEIDUNG ZSB. RECHTS  
LINING RIGHT SIDE

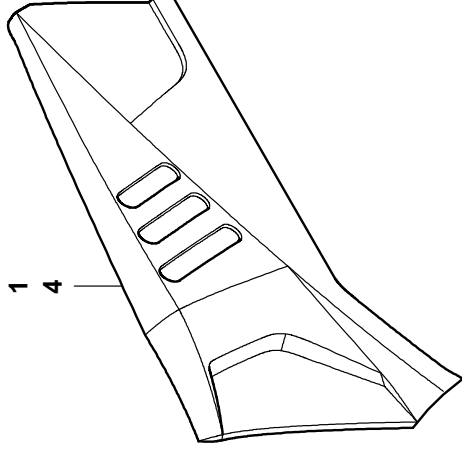
BILDTAFFEL  
PICTORIAL DISPLAY

12.11

1/1

3145736-ETL A

GMK 5095  
BE 505



| POS.<br>POS. | TEILE-NR.<br>PART-NO. | MENGE<br>QUANTITY | BENENNUNG                     | DESIGNATION                    |
|--------------|-----------------------|-------------------|-------------------------------|--------------------------------|
| 018          | 3134916               | 1.0               | FENSTERHEBER HALTER           | HOLDER FOR WINDOW LIFTER       |
| 019          | 3134917               | 1.0               | FENSTERHEBER HALTER           | HOLDER FOR WINDOW LIFTER       |
| 020          | 3134918               | 1.0               | FENSTERHEBER, ELEKTRISCH      | WINDOW LIFTER, ELECTRIC        |
| 021          | 3134919               | 1.0               | FENSTERHEBER, ELEKTRISCH      | WINDOW LIFTER, ELECTRIC        |
| 022          | 3134920               | 2.0               | STECKDOSE (FENSTERHEBERMOTOR) | PLUG BOX (WINDOW LIFTER MOTOR) |
| 023          | 3134921               | 2.0               | TUERGRIFF AUSSEN              | DOORHANDLE OUTSIDE             |
| 024          | 3134922               | 2.0               | UNTERLAGE                     | PLATE                          |
| 025          | 3134923               | 2.0               | UNTERLAGE                     | PLATE                          |
| 026          | 3326143               | 2.0               | SCHRAUBE                      | BOLT                           |
| 027          | 3134924               | 2.0               | VERSCHLUSS-STOPFEN            | SCREW PLUG                     |
| 028          | 3134925               | 1.0               | SCHLOSS LINKS                 | LOCK LEFT HAND                 |
| 029          | 3134926               | 1.0               | SCHLOSS RECHTS                | LOCK RIGHT HAND                |
| 030          | 3134927               | 2.0               | SCHLIESSBOLZEN                | CLOSIGN BOLT                   |
| 031          | 3134928               | 4.0               | SCHRAUBE                      | BOLT                           |
| 032          | 3134929               | 4.0               | ZUGSTANGE                     | PULL ROD                       |
| 033          | 3134930               | 2.0               | ZUGSTANGE                     | PULL ROD                       |
| 034          | 3134934               | 2.0               | SHELLE                        | CLAMP                          |
| 035          | 3144643               | 1.0               | ZUG LINKS                     | TACKLE LH                      |
| 036          | 3144644               | 1.0               | ZUG RECHTS                    | TACKLE RH                      |
| 084          | 4155291               | 1.0               | SCHLOSS LINKS                 | LOCK LEFT HAND                 |
| 085          | 4155292               | 1.0               | SCHLOSS RECHTS                | LOCK RIGHT HAND                |

|                           |                           |  |               |                             |
|---------------------------|---------------------------|--|---------------|-----------------------------|
| <b>GROVE</b> <sup>®</sup> | FAHRERHAUS<br>DRIVERS CAB | ERSATZTEILLISTE<br>LIST OF SPARE PARTS |               | GMK 5095<br>BE 550<br>G 000 |
|                           |                           | 02.12                                  | 3202971-ETL C |                             |

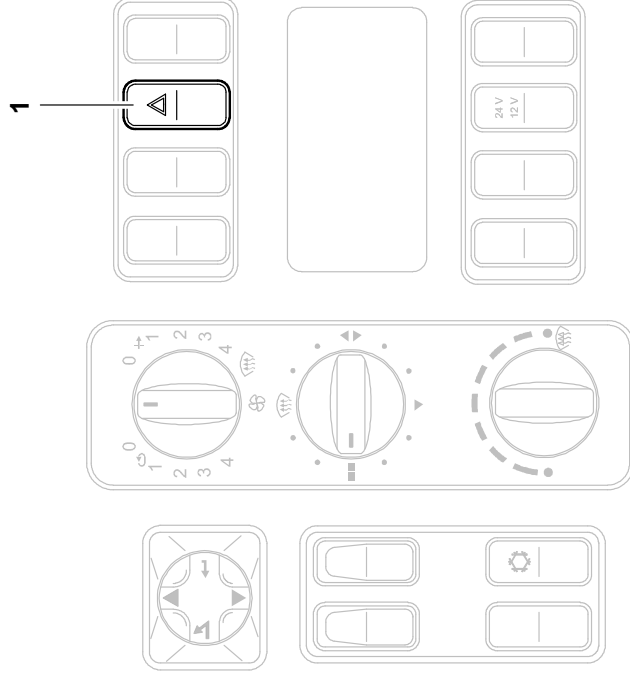
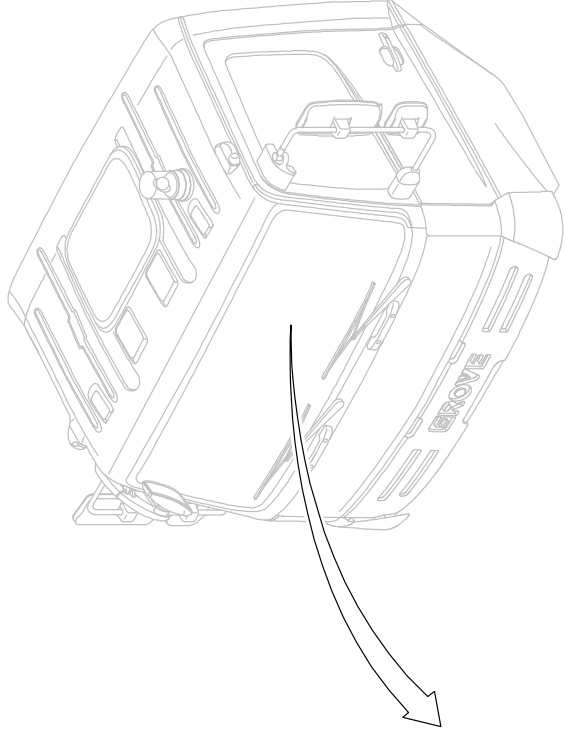
WARBLINKSCHALTER  
WARNING LIGHT SWITCH

BILDTAFFEL  
PICTORIAL DISPLAY

1/1

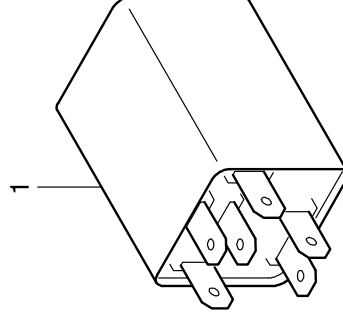
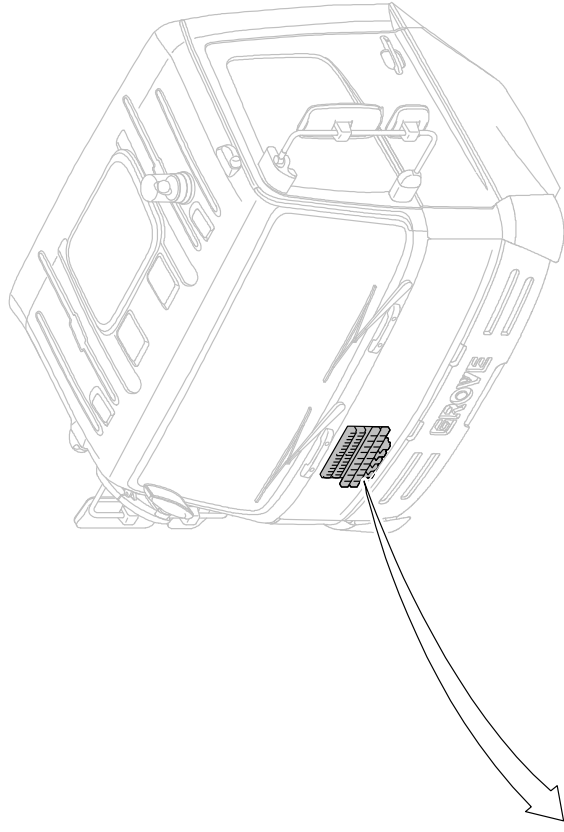
203.11  
3135076-ETL #

GMK 5095  
BE 550  
G 000



| POS.<br>POS. | TEILE-NR.<br>PART-NO. | MENGE<br>QUANTITY | BENENNUNG     | DESIGNATION  |
|--------------|-----------------------|-------------------|---------------|--------------|
| 001          | 3135219               | 1.0               | SCHALTER KPL. | SWITCH CPL.  |
| 002          | 3144721               | 1.0               | TEILESATZ     | SET OF PARTS |

|                           |   |  |  |                             |
|---------------------------|---|--|--|-----------------------------|
| <b>GROVE</b> <sup>®</sup> | FLUESSIGKEITSBEHAELTER<br>CONTAINER FOR LIQUIDS |  | ERSATZTEILLISTE<br>LIST OF SPARE PARTS | GMK 5095<br>BE 550<br>G 000 |
|                           |   |  |  |                             |



| POS.<br>POS. | TEILE-NR.<br>PART-NO. | MENGE<br>QUANTITY | BENENNUNG                            | DESIGNATION                    |
|--------------|-----------------------|-------------------|--------------------------------------|--------------------------------|
| 012          | 3078051               | 1.0               | NUMMERNSCHILDBEFESTIGUNG, HINTEN     | FASTENING NUMBER PLATE REAR    |
| 014          | 2254835               | 4.0               | SCHMUTZFAENGER                       | MUD FLAP                       |
| 015          | 3323568               | 10.0              | SEITENMARKIERUNGSLEUCHTE (LED, GELB) | SIDE MARKER LAMP (LED, YELLOW) |
| 016          | 3323570               | 10.0              | KLEMMSTUECK FUER LED GELB            | CLAMP FOR LED YELLOW           |
| 017          | 1374647               | 20.0              | ZYLINDERSCHRAUBE                     | HEXAGON SOCKET HEAD CAP SCREW  |
| 018          | 1374620               | 20.0              | SCHEIBE                              | WASHER                         |
| 019          | 1374311               | 20.0              | FEDERRING                            | SPRING WASHER                  |
| 020          | 1368068               | 20.0              | SECHSKANTMUTTER                      | HEXAGON NUT                    |



UEBERSICHT KOMPLETTIERUNG UNTERWAGEN  
OVERVIEW COMPLETION CARRIER

ERSATZTEILLISTE  
LIST OF SPARE PARTS

08.14      **3188898-ETL K**      3/5

**GMK 5095**  
**BE 560**

WARNSCHILDER ZSB. STANDARD  
WARNING SIGNS ASSY. STANDARD



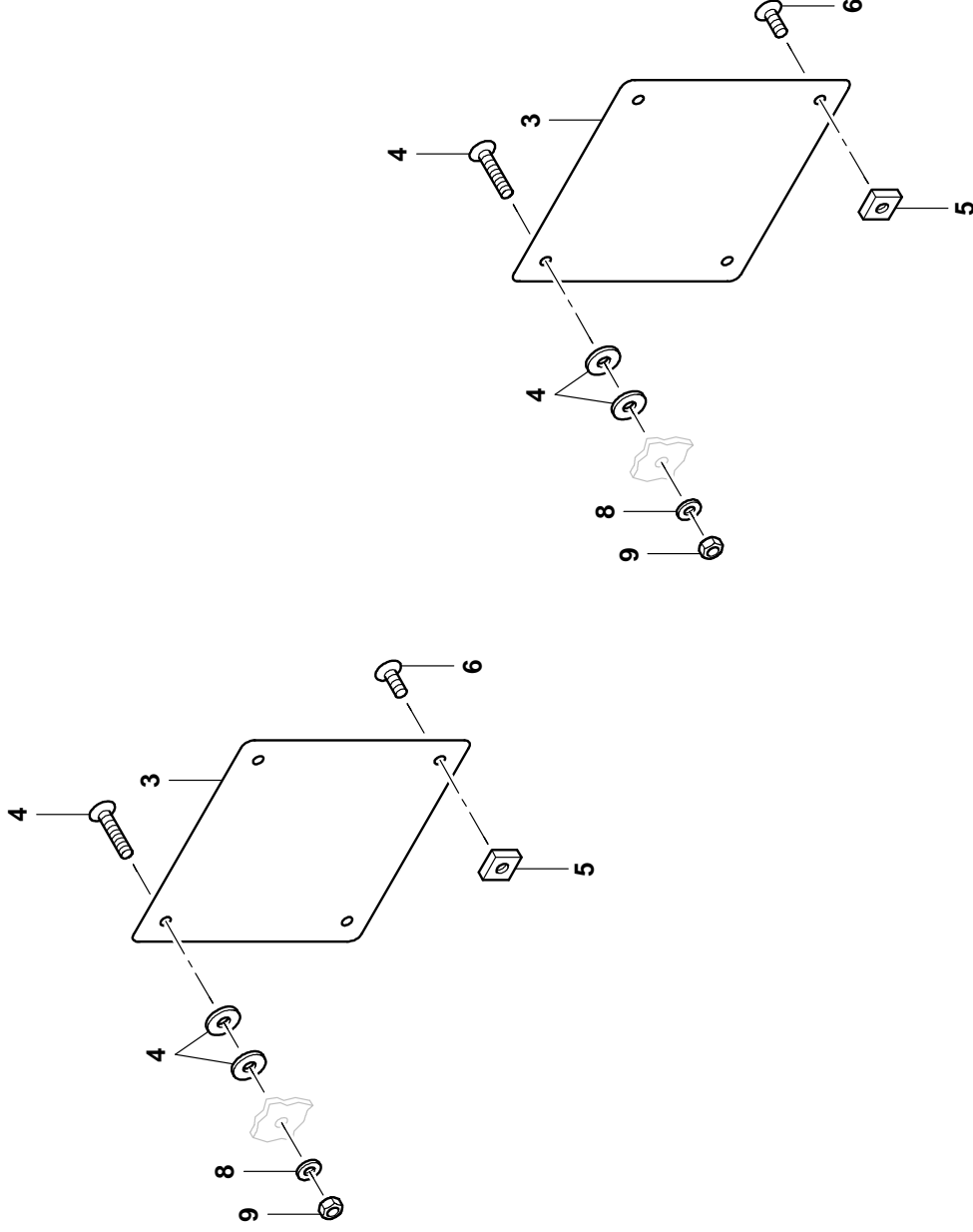
BILDTAFFEL  
PICTORIAL DISPLAY

05.13

1/1

3245307-ETL B

GMK 5095  
BE 560  
G 879



| POS.<br>POS. | TEILE-NR.<br>PART-NO. | MENGE<br>QUANTITY | BENENNUNG        | DESIGNATION         |
|--------------|-----------------------|-------------------|------------------|---------------------|
| 001          | 0550367               | 1.0               | WARNBLINKLEUCHTE | HAZARD WARNING LAMP |
| 002          | 0556218               | 5.0               | BATTERIE         | BATTERY             |
| 003          | 0435705               | 1.0               | VERBANDKASTEN    | FIRST-AID BOX       |
| 004          | 0551663               | 1.0               | WARNDREIECK      | WARNING TRIANGLE    |
| 005          | 4162036               | 2.0               | WARNWESTE        | SAFETY VEST         |

|                           |   |  |  |  |
|---------------------------|---|--|--|--|
| <b>GROVE</b> <sup>®</sup> | SICHERUNGSZAUSRÜSTUNG<br>BACKUP EQUIPMENT |  | ERSATZTEILLISTE<br>LIST OF SPARE PARTS | <b>GMK 5095</b><br><b>BE 560</b><br><b>G 879</b> |
|                           |   |  | 08.14                                  | <b>3166589-ETL B</b><br>1/1                      |

HALTERUNG ABLAGEKASTEN ZSB.  
HOLDING BOX ASSY.

**GROVE**<sup>®</sup>

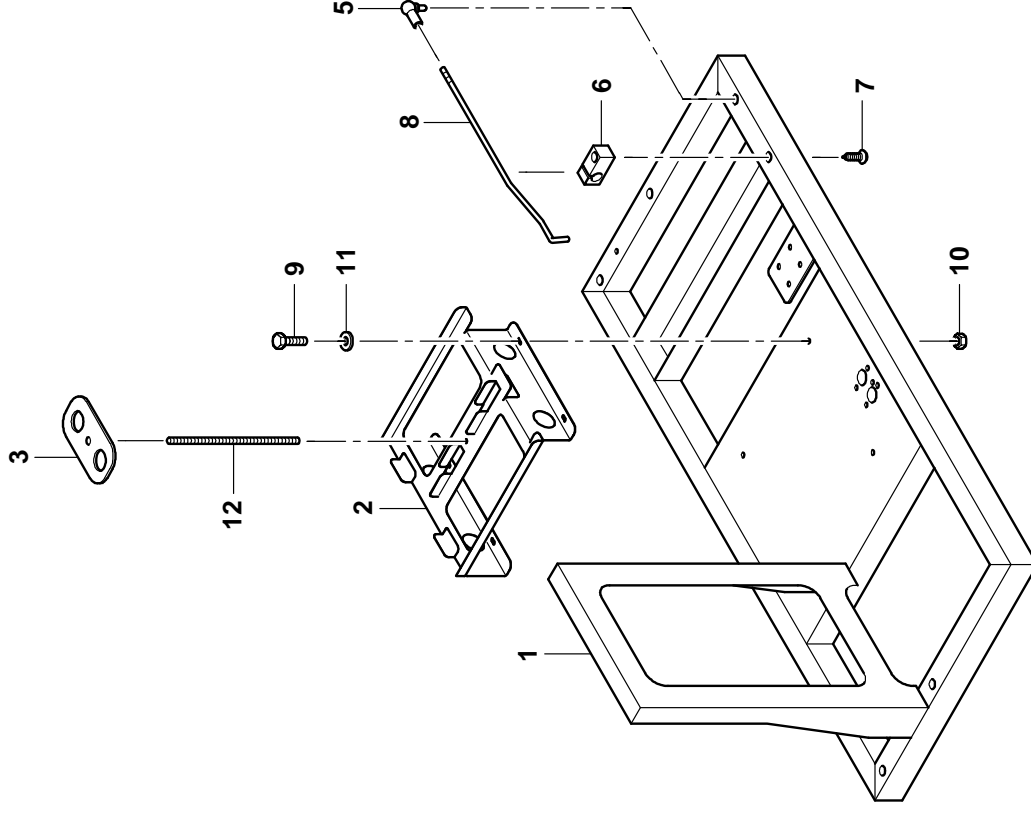
BILDTAFFEL  
PICTORIAL DISPLAY

02.13

1/1

3152501-ETL B

GMK 5095  
BE 600  
G 118



| POS.<br>POS. | TEILE-NR.<br>PART-NO. | MENGE<br>QUANTITY | BENENNUNG                            | DESIGNATION                            |
|--------------|-----------------------|-------------------|--------------------------------------|--|
| 001          | 2315810               | 1.0               | SONNENRAD                            | SUN WHEEL                              |
| 002          | 2315811               | 3.0               | PLANETENRAD (NUR KOMPLETT LIEFERBAR) | PLANET WHEEL (ONLY COMPLETE AVAILABLE) |
| 003          | 2315812               | 1.0               | HOHLRAD                              | RING GEAR                              |
| 004          | 3134798               | 1.0               | ZAPFENTRAEGER                        | PIN CARRIER                            |
| 005          | 3138149               | 1.0               | ADAPTER                              | ADAPTER                                |
| 006          | 2315815               | 1.0               | SONNENRAD                            | SUN WHEEL                              |
| 014          | 2315823               | 1.0               | VERSCHRAUBUNG                        | SCREW COUPLING                         |
| 015          | 1686242               | 12.0              | ZYLINDERSCHRAUBE                     | HEXAGON SOCKET HEAD CAP SCREW          |
| 016          | 2315065               | 1.0               | WELLENDICHTRING                      | ROTARY SHAFT SEAL                      |
| 017          | 2315069               | 1.0               | RILLENKUGELLAGER                     | GROOVED BALL-BEARING                   |
| 018          | 2315070               | 1.0               | RILLENKUGELLAGER                     | GROOVED BALL BEARING                   |
| 020          | 0028205               | 3.0               | SICHERUNGSRING                       | CIRCLIP                                |
| 021          | 0028210               | 1.0               | SICHERUNGSRING                       | CIRCLIP                                |
| 023          | 2316383               | 1.0               | VERSCHLUSS-SCHRAUBE                  | SCREW PLUG                             |
| 024          | 0117132               | 4.0               | DICHTRING                            | SEALING RING                           |
| 025          | 0117125               | 1.0               | DICHTRING                            | SEALING RING                           |
| 026          | 3042922               | 1.0               | HOHLSCHRAUBE                         | HOLLOW SCREW                           |
| 036          | 2312187               | 1.0               | BELUEFTUNGSFILTER                    | VENTILATION FILTER                     |
| 038          | 0105293               | 1.0               | SICHERUNGSRING                       | CIRCLIP                                |
| 039          | 0028213               | 1.0               | SICHERUNGSRING                       | CIRCLIP                                |
| 040          | 3134800               | 3.0               | BOLZEN                               | PIN                                    |

|                           |   |       |  |  |
|---------------------------|---|-------|--|--|
| <b>GROVE</b> <sup>®</sup> | EINHEITSGETRIEBE KPL.<br>STANDARD GEAR CPL. |       | ERSATZTEILLISTE<br>LIST OF SPARE PARTS | <b>GMK 5095</b><br><b>BE 600</b><br><b>G 390</b> |
|                           |   |       | <b>3328081-ETL C</b>                   | 1/2  |
|                           |   | 08.13 |  |  |

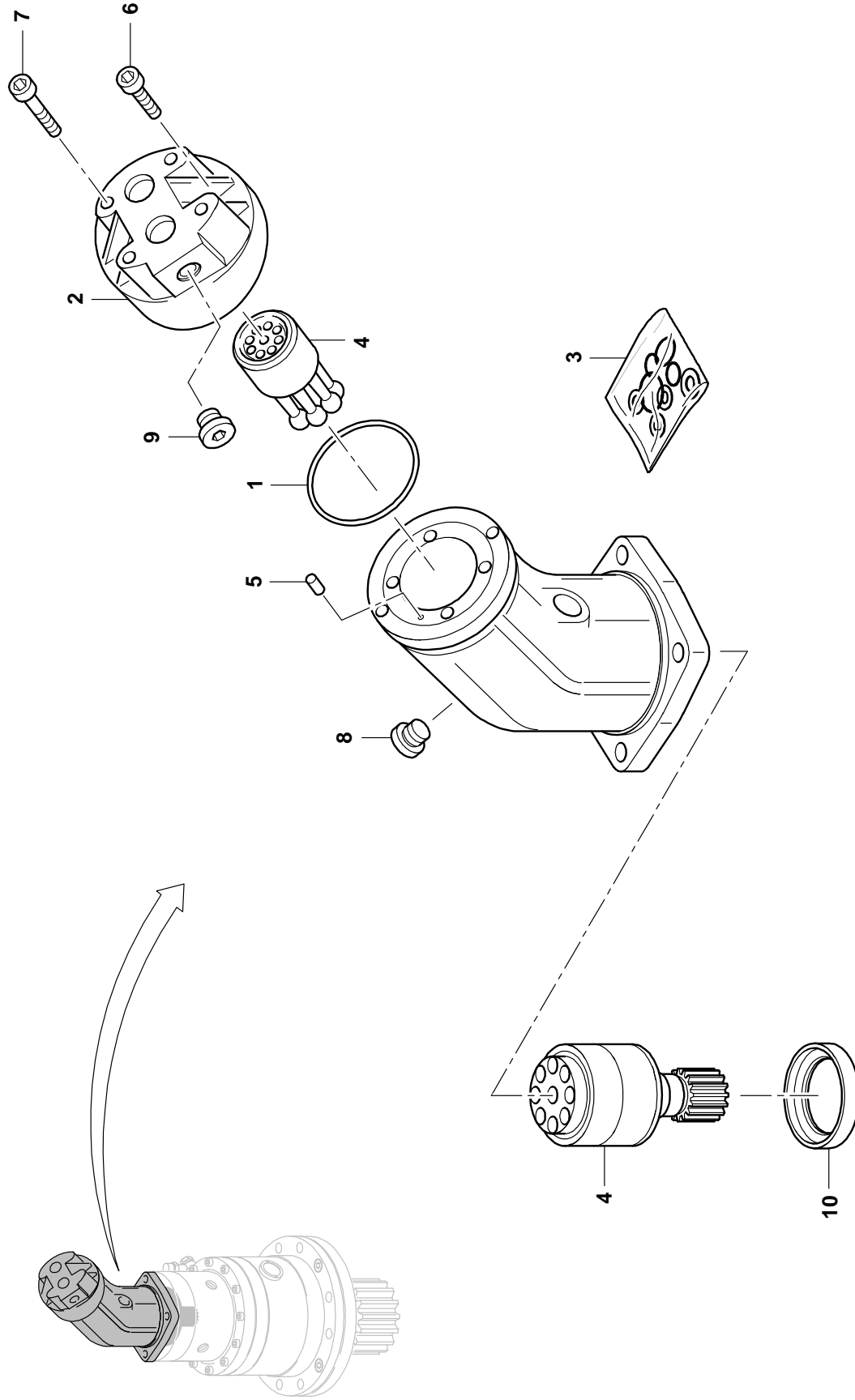
AXIALKOLBENMOTOR  
AXIAL-RECIPROCATING MOTOR

GMK 5095  
BE 600  
G 786

BILDTAFFEL  
PICTORIAL DISPLAY

1/1

04.11  
2256891-ETL E



| POS.<br>POS. | TEILE-NR.<br>PART-NO. | MENGE<br>QUANTITY | BENENNUNG           | DESIGNATION         |
|--------------|-----------------------|-------------------|---------------------|---------------------|
| 001          | 3324380               | 1.0               | KUEHLELEMENT        | RADIATOR SECTION    |
| 002          | 3324381               | 1.0               | LUEFTEREINHEIT      | FAN UNIT            |
| 003          | 3324382               | 1.0               | DICHTUNGSBAND       | SEAL STRAP          |
| 004          | 3324383               | 4.0               | DISTANZBLOCK        | SPACER              |
| 005          | 3324384               | 1.0               | GEGENSTECKER        | CONNECTING PLUG     |
| 006          | 3324880               | 2.0               | UNIVERSAL VERBINDER | UNIVERSAL CONNECTOR |

|                           |   |  |  |                                      |
|---------------------------|---|--|--|--------------------------------------|
| <b>GROVE</b> <sup>®</sup> | OEL-LUFTKUEHLER<br>AIR-/OIL INTERCOOLER |  | ERSATZTEILLISTE<br>LIST OF SPARE PARTS | <b>GMK 5095<br/>BE 600<br/>G 786</b> |
|                           |   |  | 05.11                                  | <b>3323516-ETL B</b><br>1/1          |

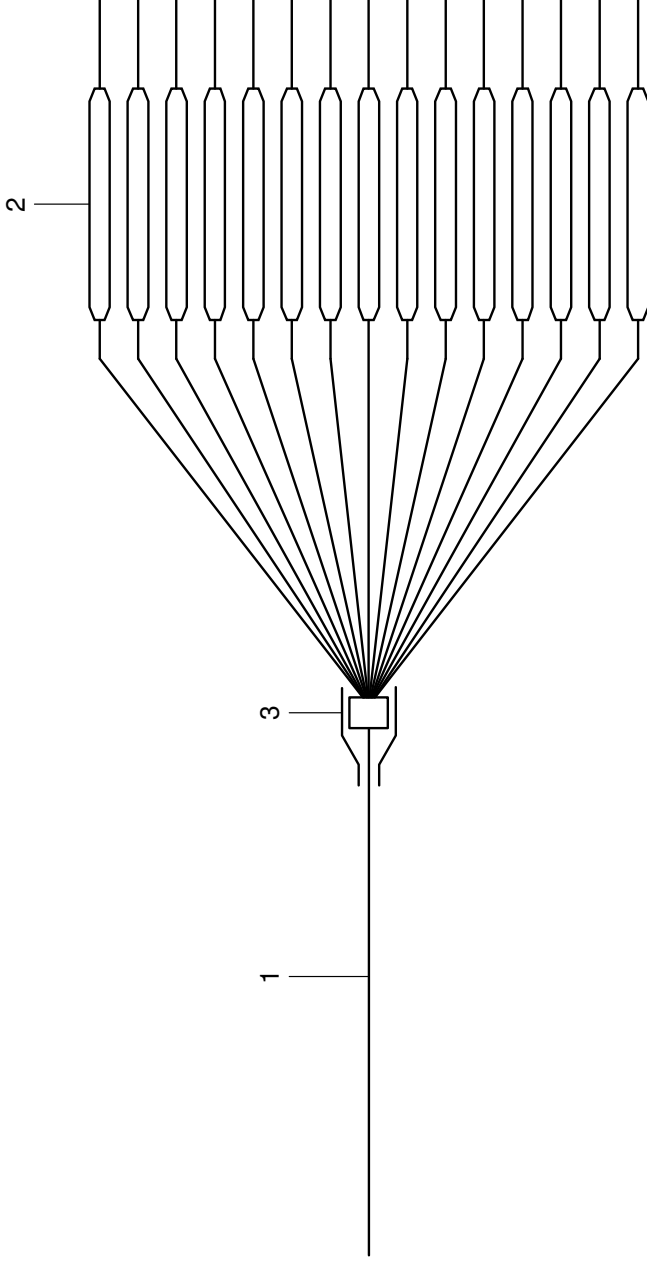


KABELBAUM MASSEVERTEILER 15 LEITUNGEN  
CABLE HARNESS EARTH DISTRIBUTOR 15 CABLE

BILDTAFFEL  
PICTORIAL DISPLAY

07.12 3080508-ETL # 1/1

GMK 5095  
BE 600  
G 806



| POS.<br>POS. | TEILE-NR.<br>PART-NO. | MENGE<br>QUANTITY | BENENNUNG                   | DESIGNATION               |
|--------------|-----------------------|-------------------|-----------------------------|---------------------------|
| 001          | 1377729               | 0.2               | ANLASSERLEITUNG (METERWARE) | WELDING CABLE (YARD GOOD) |
| 002          | 0550379               | 1.0               | BATTERIEKLEMME MINUS        | BATTERY BOX, MINUS        |
| 003          | 0550380               | 1.0               | BATTERIEKLEMME PLUS         | BATTERY BOX, PLUS         |
| 004          | 0554060               | 1.0               | ROHRKABELSCHUH              | EYELET, TUBE TYPE         |
| 005          | 0554061               | 1.0               | ROHRKABELSCHUH              | EYELET, TUBE TYPE         |
| 006          | 1927261               | 2.0               | POLKAPPE                    | POLE CAP                  |
| 010          | 3317069               | 0.1               | SCHRUMPFSCHLAUCH            | SHRINK HOSE               |

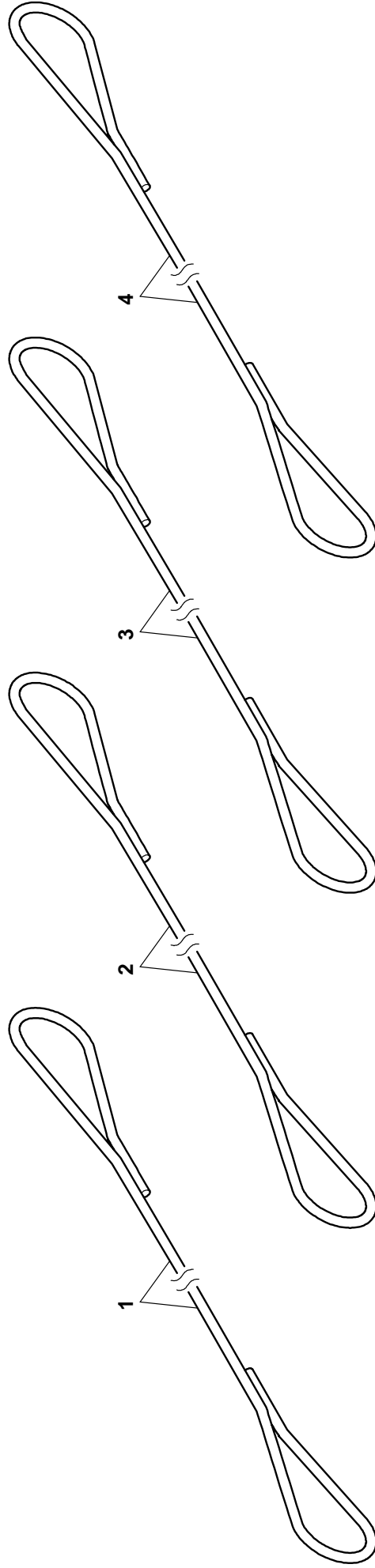


KABELBAUM BATTERIE PLUS - BATTERIE MINUS  
CABLE HARNESS BATTERY PLUS - BATTERY MINUS

ERSATZTEILLISTE  
LIST OF SPARE PARTS

01.10 3012723-ETL C 1/1

GMK 5095  
BE 600  
G 806



| POS.<br>POS. | TEILE-NR.<br>PART-NO. | MENGE<br>QUANTITY | BENENNUNG           | DESIGNATION         |
|--------------|-----------------------|-------------------|---------------------|---------------------|
| 001          | 4159191               | 1.0               | WIDERSTAND          | RESISTOR            |
| 002          | 4159192               | 1.0               | WIDERSTANDSHALTER   | RESISTANCE HOLDER   |
| 003          | 4159193               | 1.0               | TEMPERATURBEGRENZER | TEMPERATURE LIMITER |

|                           |  |  |  |                             |
|---------------------------|--|--|--|-----------------------------|
| <b>GROVE</b> <sup>®</sup> | SICHERHEITSTEMPERATURBEGRENZER<br>SAFETY TEMPERATURE LIMITER |  | ERSATZTEILLISTE<br>LIST OF SPARE PARTS | GMK 5095<br>BE 630<br>G 237 |
|                           |  |  | 11.12                                  | 4159190-ETL A               |
|                           |  |  |  | 1/1                         |

TUERINNENGRIFF KPL.  
INSIDE HANDLE CPL.



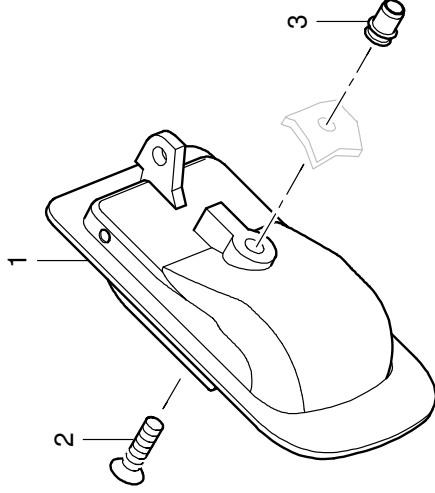
BILDTAFFEL  
PICTORIAL DISPLAY

05.13

1/1

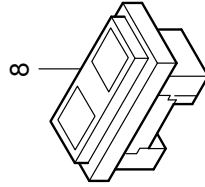
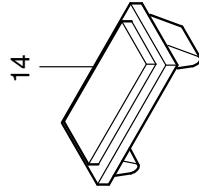
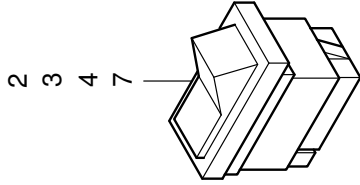
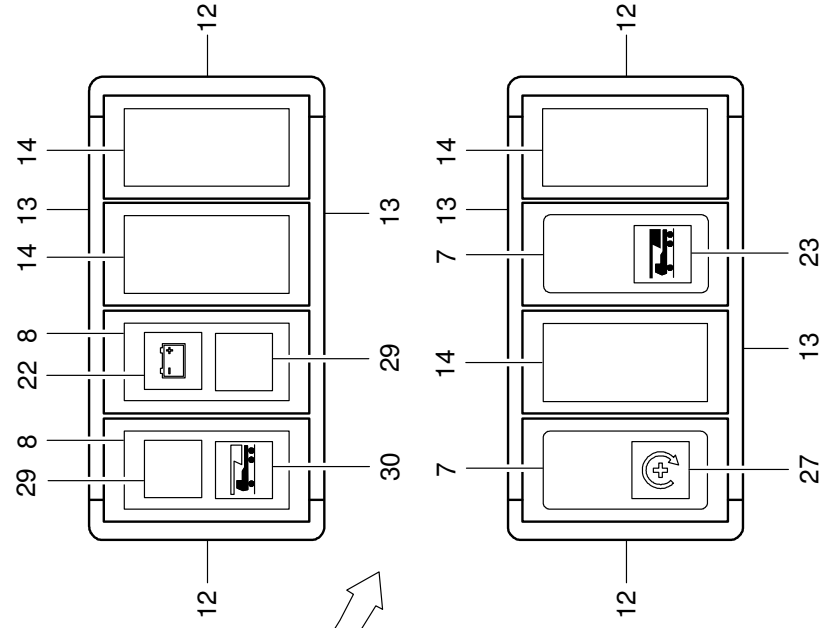
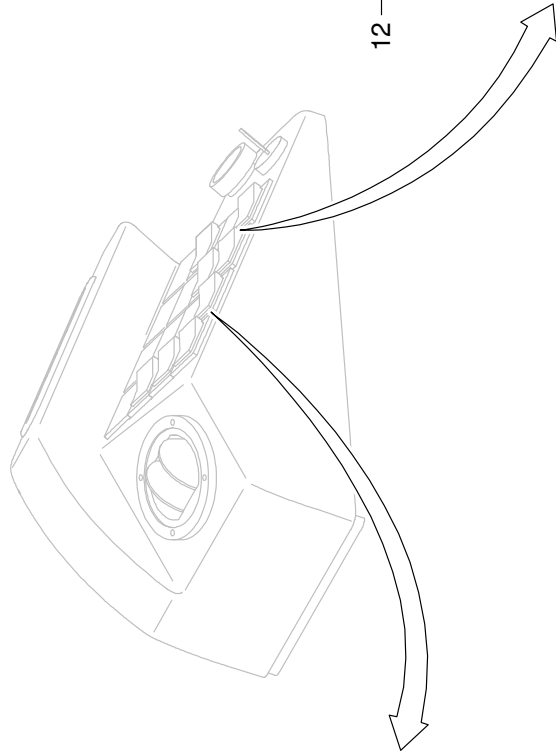
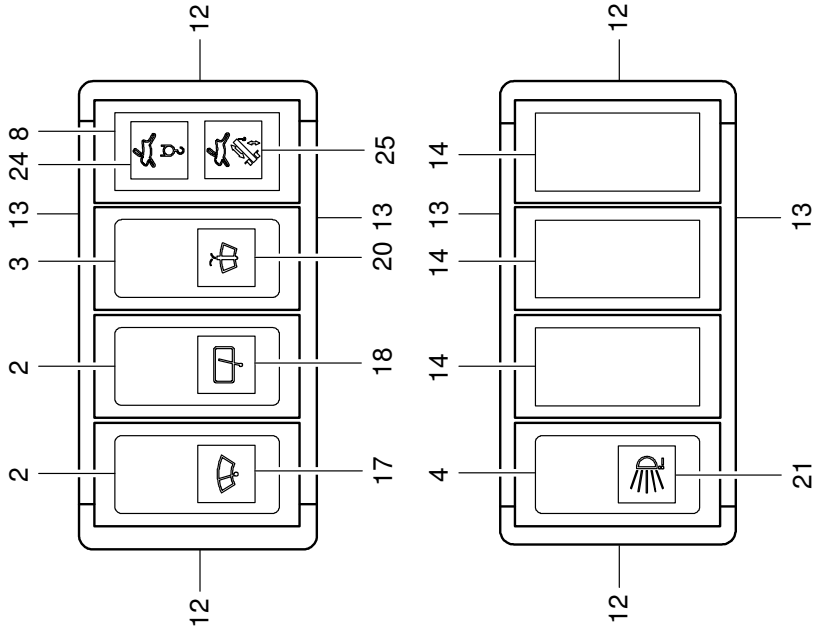
3326634-ETL #

GMK 5095  
BE 630  
G 237



| POS.<br>POS. | TEILE-NR.<br>PART-NO. | MENGE<br>QUANTITY | BENENNUNG                | DESIGNATION               |
|--------------|-----------------------|-------------------|--------------------------|---------------------------|
| 001          | 3142279               | 1.0               | KOPFSTUETZE KPL.         | HEADREST KPL.             |
| 002          | 3142280-ETL           | 1.0               | SITZOBERTEIL KPL.        | SEAT UPPER PART CPL.      |
| 003          | 3142281               | 1.0               | SITZVERKLEIDUNG          | SEAT COVERING             |
| 004          | 3142282               | 1.0               | BOWDENZUGSET             | BOWDEN CABLE KIT          |
| 005          | 3142283               | 1.0               | FEDERSET                 | SPRING KIT                |
| 006          | 3142284               | 1.0               | GRIFFSATZ                | HANDLE KIT                |
| 007          | 3142285               | 1.0               | HOEHENEINSTELLUNG        | HEIGHT CONTROL            |
| 008          | 3142286               | 1.0               | SOCKEL                   | FASTENING PLATE           |
| 009          | 3142287               | 1.0               | VERSTELLUNG, OBEN        | ADJUSTING, ABOVE          |
| 010          | 3142288               | 1.0               | SCHWINGSYSTEM KPL.       | SWING-SYSTEM, CPL.        |
| 011          | 3142289               | 1.0               | GEWICHTSEINSTELLUNG KPL. | ADJUSTMENT OF HEIGHT CPL. |
| 012          | 3142290               | 1.0               | DAEMPFUNGSFEDERSET KPL.  | DAMPING SPRING KIT        |
| 013          | 3142291               | 1.0               | STOPPERSET               | STOPPER KIT               |
| 014          | 3142292               | 1.0               | VERSTELLUNG, UNTEN       | ADJUSTING, DOWN           |
| 015          | 3142293               | 1.0               | FALTENBALG               | BELLOWS                   |

|                           |                                |  |  |                             |
|---------------------------|--------------------------------|--|--|-----------------------------|
| <b>GROVE</b> <sup>®</sup> | STANDARD SITZ<br>STANDARD SEAT |  | ERSATZTEILLISTE<br>LIST OF SPARE PARTS<br><b>3193918-ETL A</b> | GMK 5095<br>BE 630<br>G 238 |
|                           |                                |  |  |                             |



| POS.<br>POS. | TEILE-NR.<br>PART-NO. | MENGE<br>QUANTITY | BENENNUNG         | DESIGNATION |
|--------------|-----------------------|-------------------|-------------------|-------------|
| 001          | 3093853               | 1.0               | SEITENVERKLEIDUNG | SIDE COVER  |
| 003          | 3326447               | 1.0               | NETZ              | NET         |

|                           |  |     |  |                    |
|---------------------------|--|-----|--|--------------------|
| <b>GROVE</b> <sup>®</sup> | SEITENVERKLEIDUNG, LINKS<br>SIDE COVER, LEFT |     | ERSATZTEILLISTE<br>LIST OF SPARE PARTS<br><b>3326446-ETL #</b> | GMK 5095<br>BE 630 |
|                           | 01.10  | 1/1 |  |                    |

CLICK HERE TO **DOWNLOAD** THE COMPLETE MANUAL

- Thank you very much for reading the preview of the manual.
- You can download the complete manual from: [www.heydownloads.com](http://www.heydownloads.com) by clicking the link below



- Please note: If there is no response to CLICKING the link, please download this PDF first and then click on it.

CLICK HERE TO **DOWNLOAD** THE COMPLETE MANUAL

KOMPENSATIONSGEWICHT  
COMPENSATION WEIGHT



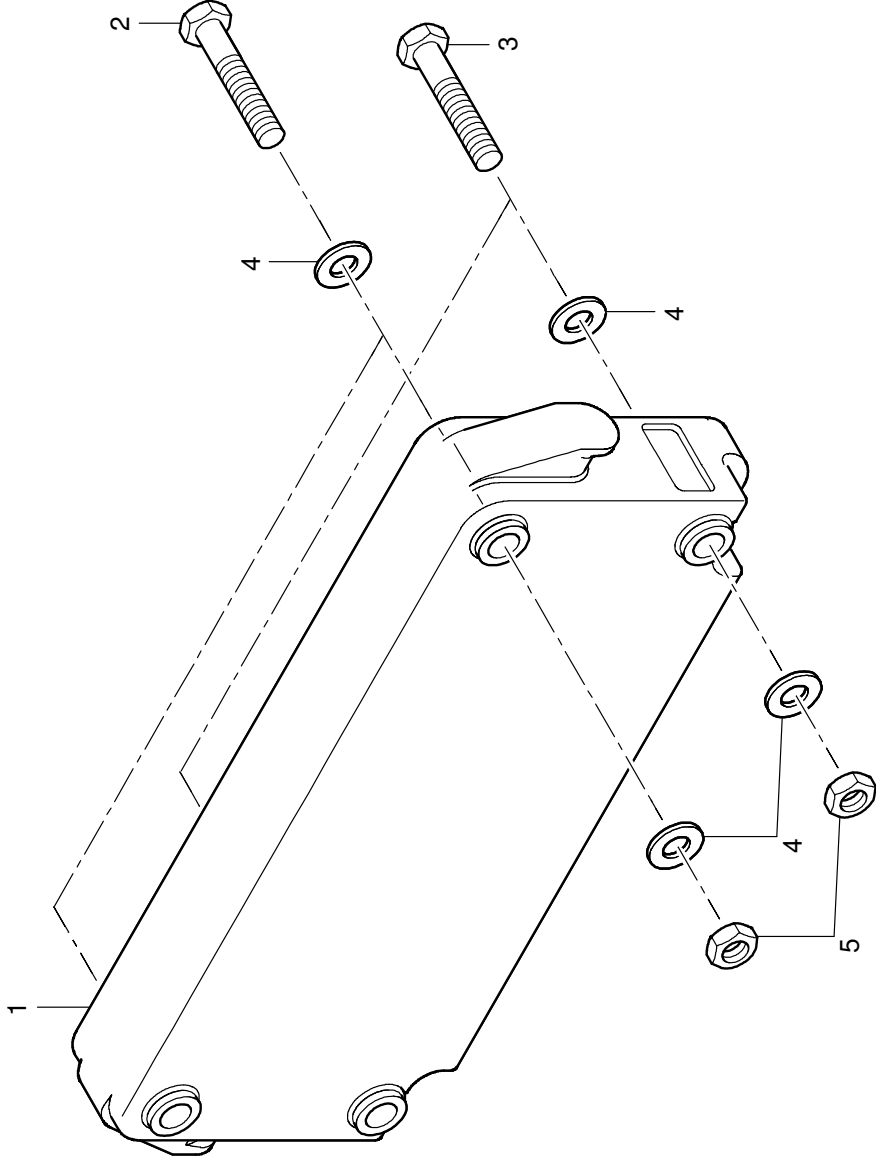
BILDTAFFEL  
PICTORIAL DISPLAY

03.11

1/1

3116911-ETL A

GMK 5095  
BE 650  
G 216



| POS.<br>POS. | TEILE-NR.<br>PART-NO. | MENGE<br>QUANTITY | BENENNUNG    | DESIGNATION |
|--------------|-----------------------|-------------------|--------------|-------------|
| 001          | 3135619               | 1.0               | DICHTBEILAGE | GASKET      |
| 002          | 3135620               | 1.0               | DICHTBEILAGE | GASKET      |

|                           |                            |  |  |                             |
|---------------------------|----------------------------|--|--|-----------------------------|
| <b>GROVE</b> <sup>®</sup> | OELKUEHLER<br>OIL RADIATOR |  | ERSATZTEILLISTE<br>LIST OF SPARE PARTS | GMK 5095<br>BE 660<br>G 626 |
|                           |                            |  |  |                             |

VARIANTEN ABGASANLAGE  
VARIANTS EXHAUST SYSTEM



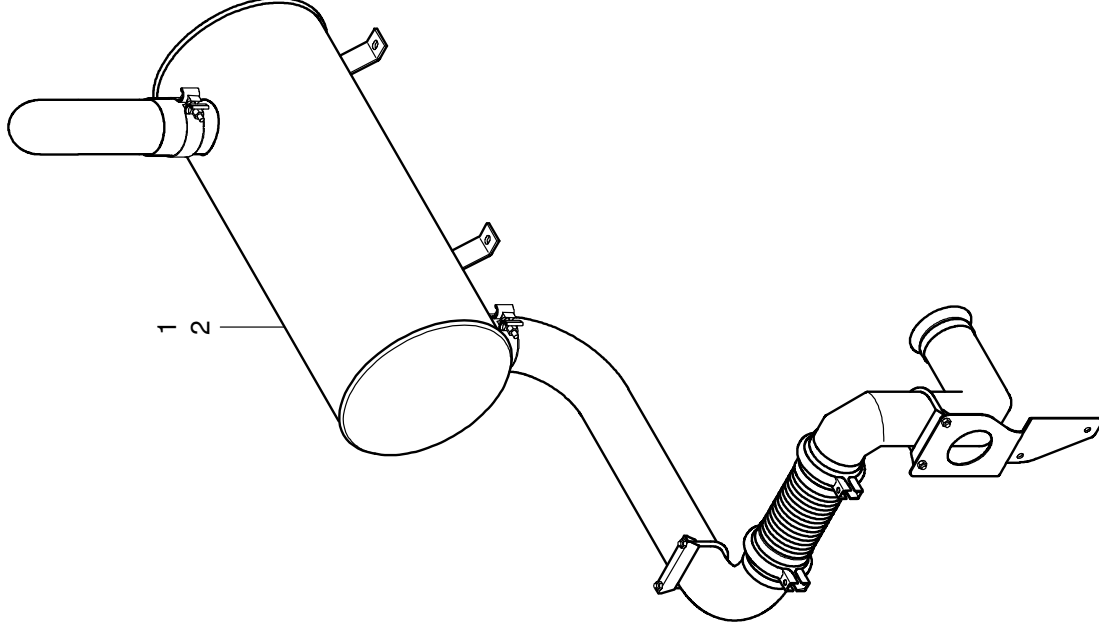
BILDTADEL  
PICTORIAL DISPLAY

11.09

1/1

3118006-ETL #

GMK 5095  
BE 660  
G 626



| POS. | TEILE-NR.<br>PART-NO. | MENGE<br>QUANTITY | BENENNUNG | DESIGNATION |
|------|-----------------------|-------------------|-----------|-------------|
|------|-----------------------|-------------------|-----------|-------------|

|     |         |     |               |              |
|-----|---------|-----|---------------|--------------|
| 001 | 2317655 | 1.0 | DICHTUNGSSATZ | SET OF SEALS |
|-----|---------|-----|---------------|--------------|

|                           |                             |  |               |                             |
|---------------------------|-----------------------------|--|---------------|-----------------------------|
| <b>GROVE</b> <sup>®</sup> | ZAHNRADPUMPE<br>GEARED PUMP | ERSATZTEILLISTE<br>LIST OF SPARE PARTS |               | GMK 5095<br>BE 660<br>G 786 |
|                           |                             | 11.09                                  | 3321641-ETL D |                             |

LEITUNGSFILTER  
FILTER

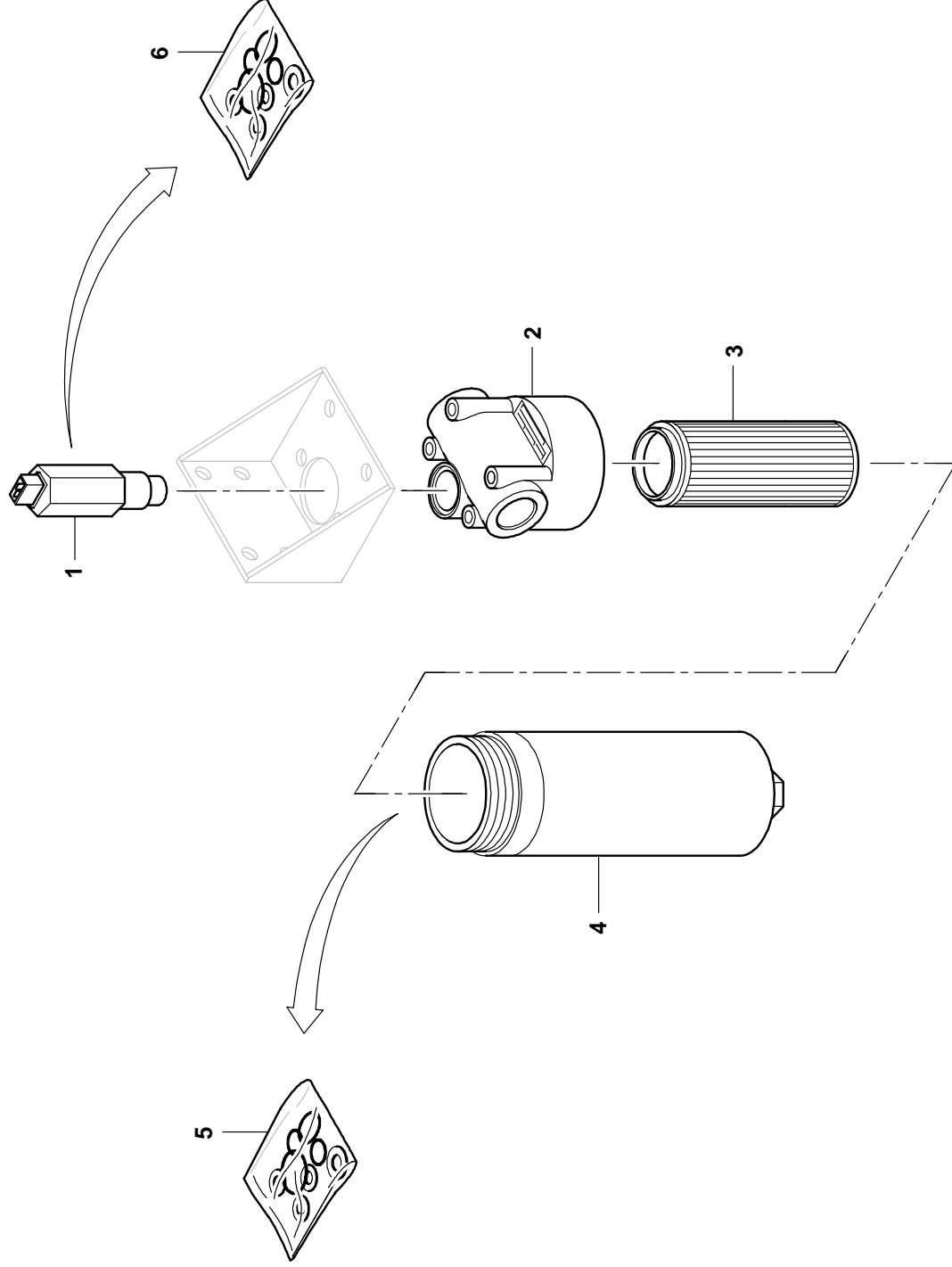
BILDTADEL  
PICTORIAL DISPLAY

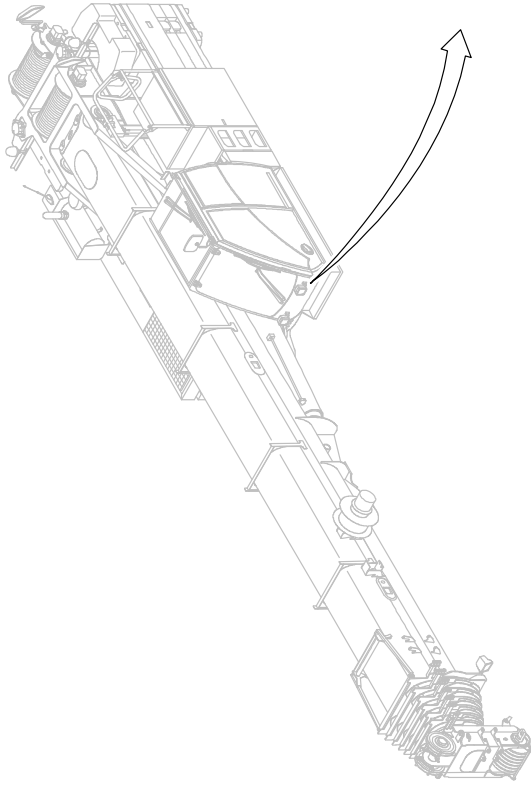
01.12

1/1

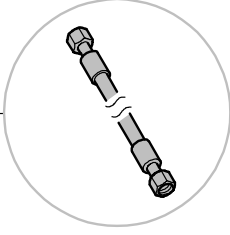
3323935-ETL C

GMK 5095  
BE 660  
G 786

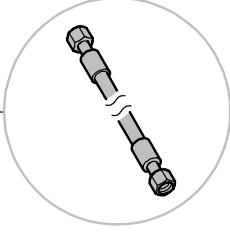




G 902



G 902



3238630-B-BL01-0213-5095

**GROVE**<sup>®</sup>

SCHLAUCHLEITUNGEN OW UND TELESKOPIUSLEGER  
 HOSES SUPERSTRUCTURE AND TELESCOPIC JIB

ERSATZTEILLISTE  
 LIST OF SPARE PARTS

02.13 **3238630-ETL B** 1/2

**GMK 5095**  
**BE 803**

OELPRESSE  
OIL PRESS

**GROVE**<sup>®</sup>

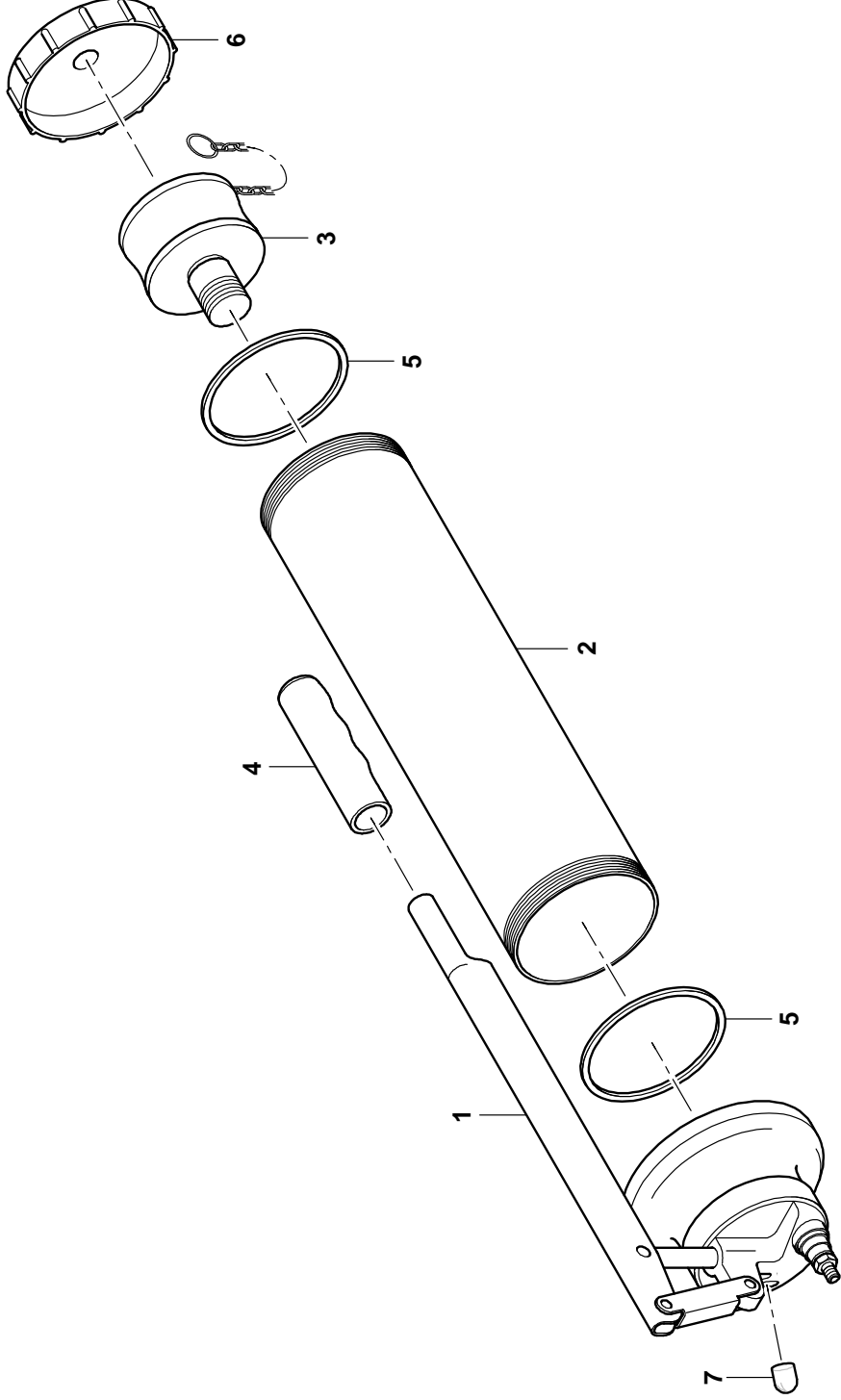
BILDTAFFEL  
PICTORIAL DISPLAY

11.13

1/1

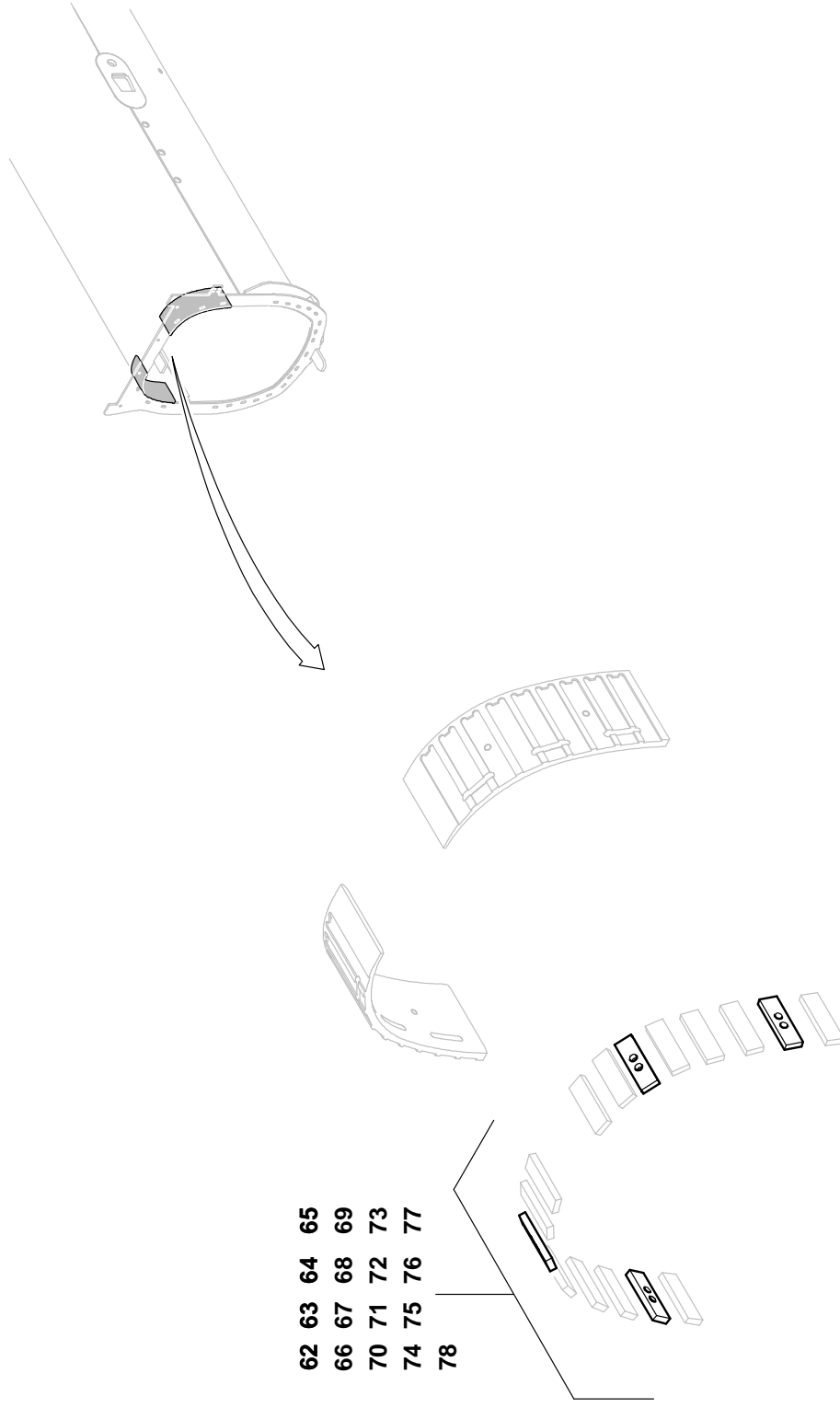
4155699-ETL B

GMK 5095  
BE 806  
G 879



| POS.<br>POS. | TEILE-NR.<br>PART-NO. | MENGE<br>QUANTITY | BENENNUNG                         | DESIGNATION                         |
|--------------|-----------------------|-------------------|-----------------------------------|-------------------------------------|
| 098          | 3320994               | 4.0               | SICHERHEITSKLAPPSTECKER           | SAFETY LINC PIN                     |
| 113          | 3125730               | 1.0               | DECKEL                            | COVER                               |
| 114          | 1373881               | 1.0               | SENKSCHRAUBE                      | COUNTERSUNK SCREW                   |
| 115          | 3126288               | 3.0               | SEILFUEHRUNG                      | ROPE GUIDE                          |
| 118          | 0437643               | 12.0              | SECHSKANTMUTTER                   | HEXAGON NUT                         |
| 119          | 2314136               | 12.0              | KOTFLUEGELSCHIBE                  | FENDER WASHER                       |
| 120          | 0437708               | 12.0              | SCHEIBE                           | WASHER                              |
| 132          | 1065823               | 1.0               | VERSCHLUSSKAPPE (DURCHMESSER 125) | LOCKING CAP (DIAMETER 125)          |
| 140          | 0557306               | 1.0               | RADIALGELENKLAGER                 | RADIAL PIVOTING BEARING             |
| 142          | 3125406-ETL           | 1.0               | WIPPZYLINDER KOPFACHSE ZSB.       | DERRICKING CYLINDER HEAD AXLE ASSY. |
| 143          | 3321652               | 1.0               | DISTANZRING                       | SPACER RING                         |
| 144          | 3318694               | 2.0               | DISTANZRING                       | SPACER RING                         |
| 145          | 3321653               | 1.0               | DISTANZRING                       | SPACER RING                         |
| 146          | 3005900               | 1.0               | SCHEIBE                           | WASHER                              |
| 147          | 1575487               | 1.0               | SECHSKANTSCHRAUBE                 | HEXAGON BOLT                        |
| 148          | 0432083               | 2.0               | SECHSKANTSCHRAUBE                 | HEXAGON BOLT                        |
| 149          | 0437645               | 2.0               | SECHSKANTMUTTER                   | HEXAGON NUT                         |
| 150          | 3125288               | 2.0               | AUSLEGERFUSSACHSE                 | BOOM FOOT AXLE                      |
| 151          | 3125733               | 2.0               | DECKEL                            | COVER                               |
| 152          | 0437291               | 8.0               | ZYLINDERSCHRAUBE                  | HEXAGON SOCKET HEAD CAP SCREW       |
| 157          | 3130169               | 2.0               | BOLZEN                            | PIN                                 |
| 158          | 0103190               | 2.0               | SECHSKANTSCHRAUBE                 | HEXAGON BOLT                        |
| 160          | 0437708               | 2.0               | SCHEIBE                           | WASHER                              |
| 161          | 2314136               | 2.0               | KOTFLUEGELSCHIBE                  | FENDER WASHER                       |
| 162          | 0437643               | 2.0               | SECHSKANTMUTTER                   | HEXAGON NUT                         |
| 163          | 3046056               | 4.0               | SCHEIBE                           | WASHER                              |
| 164          | 0437644               | 4.0               | SECHSKANTMUTTER                   | HEXAGON NUT                         |

|                           |   |  |  |                      |
|---------------------------|---|--|--|----------------------|
| <b>GROVE</b> <sup>®</sup> | EINBAUTEILE GRUNDKOEPPER<br>ASSEMBLY BASE SECTION |  | ERSATZTEILLISTE<br>LIST OF SPARE PARTS | <b>GIMK 5095</b>     |
|                           |   |  | 06.13                                  | <b>3247724-ETL A</b> |
|                           |   |  | 6/7                                    | <b>G 506</b>         |



| POS.<br>POS. | TEILE-NR.<br>PART-NO. | MENGE<br>QUANTITY | BENENNUNG        | DESIGNATION                   |
|--------------|-----------------------|-------------------|------------------|-------------------------------|
| 045          | 3125190               | 1.0               | LEISTE T=3       | STRIP T=3                     |
| 046          | 3125191               | 1.0               | LEISTE T=4       | STRIP T=4                     |
| 047          | 3125192               | 1.0               | LEISTE T=5       | STRIP T=5                     |
| 048          | 3125193               | 1.0               | LEISTE T=6       | STRIP T=6                     |
| 049          | 3125194               | 1.0               | LEISTE T=7       | STRIP T=7                     |
| 050          | 3125195               | 1.0               | LEISTE T=8       | STRIP T=8                     |
| 051          | 3125196               | 1.0               | LEISTE T=9       | STRIP T=9                     |
| 052          | 3125197               | 1.0               | LEISTE T=10      | STRIP T=10                    |
| 053          | 3125198               | 10.0              | LEISTE T=11      | STRIP T=11                    |
| 054          | 3125199               | 1.0               | LEISTE T=12      | STRIP T=12                    |
| 055          | 3125200               | 1.0               | LEISTE T=13      | STRIP T=13                    |
| 056          | 3125201               | 2.0               | LEISTE T=14      | STRIP T=14                    |
| 057          | 3125202               | 1.0               | LEISTE T=15      | STRIP T=15                    |
| 058          | 3125203               | 1.0               | LEISTE T=16      | STRIP T=16                    |
| 059          | 3125204               | 1.0               | LEISTE T=17      | STRIP T=17                    |
| 060          | 3125205               | 1.0               | LEISTE T=18      | STRIP T=18                    |
| 061          | 3125206               | 1.0               | LEISTE T=19      | STRIP T=19                    |
| 103          | 0119962               | 4.0               | SCHEIBE          | WASHER                        |
| 104          | 1146955               | 1.0               | ZYLINDERSCHRAUBE | HEXAGON SOCKET HEAD CAP SCREW |
| 105          | 1147831               | 4.0               | ZYLINDERSCHRAUBE | HEXAGON SOCKET HEAD CAP SCREW |
| 106          | 0103744               | 1.0               | ZYLINDERSCHRAUBE | HEXAGON SOCKET HEAD CAP SCREW |
| 189          | 0103744               | 1.0               | ZYLINDERSCHRAUBE | HEXAGON SOCKET HEAD CAP SCREW |

|                           |   |  |  |                  |
|---------------------------|---|--|--|------------------|
| <b>GROVE</b> <sup>®</sup> | EINBAUTEILE TELESKOP 4<br>ASSY. SECTION 4 |  | ERSATZTEILLISTE<br>LIST OF SPARE PARTS | <b>GIMK 5095</b> |
|                           |   |  | 06.13 <b>3247728-ETL A</b>             | 4/7 <b>G 506</b> |

EINBAUTEILE TELESKOP 5/6  
COMPONENT PARTS TELESCOPIC PART 5/6

BILDTAFFEL  
PICTORIAL DISPLAY

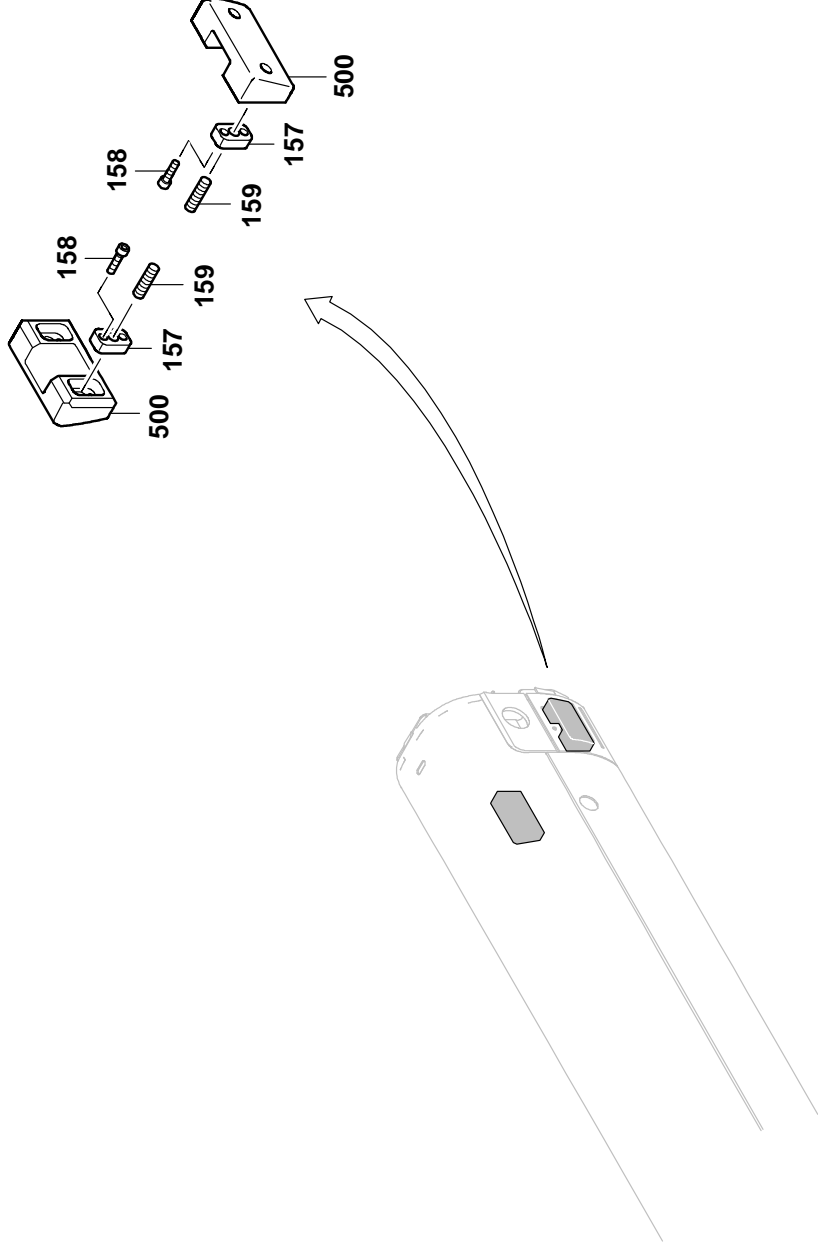
06.13

**3247713-ETL A**

5/5

**GMK 5095**

**G 506**



| POS.<br>POS. | TEILE-NR.<br>PART-NO. | MENGE<br>QUANTITY | BENENNUNG                     | DESIGNATION                   |
|--------------|-----------------------|-------------------|-------------------------------|-------------------------------|
| 016          | 3317921               | 3.0               | STIFT                         | PIN                           |
| 017          | 3041855               | 3.0               | EINZELLEITERDICHTUNG (GELB)   | SINGLE-LINE SEAL (YELLOW)     |
| 018          | 3317922               | 1.0               | STIFTGEHAEUSE                 | PIN HOUSIGN                   |
| 019          | 3041854               | 1.0               | BUCHSENGEHAEUSE               | BUSH HOUSIGN                  |
| 020          | 3317915               | 3.0               | BLINDSTOPFEN                  | BLIND PLUG                    |
| 021          | 2212601               | 2.6               | STEUERLEITUNG (METERWARE)     | CONTROL LINE (YARD GOOD)      |
| 022          | 3320834               | 0.2               | SCHRUMPFSCHLAUCH              | SHRINK HOSE                   |
| 024          | 3041151               | 1.0               | WANDSTECKDOSE                 | WALL PLUG BOX                 |
| 025          | 1374645               | 4.0               | ZYLINDERSCHRAUBE              | HEXAGON SOCKET HEAD CAP SCREW |
| 026          | 1146823               | 4.0               | FEDERRING                     | SPRING WASHER                 |
| 027          | 3041113               | 1.8               | PUR-SONDERLEITUNG (METERWARE) | PUR-CABLE (YARD GOOD)         |
| 028          | 3041143               | 1.0               | KABELVERSCHRAUBUNG            | CABLE CONNECTION              |
| 030          | 3317929               | 0.8               | WELLSCHLAUCH (METERWARE)      | CORRUGATED HOSE (YARD GOOD)   |
| 031          | 3319501               | 6.0               | KABELDOSE                     | CABLE SOCKET                  |
| 032          | 3315265               | 3.0               | KABELDOSE                     | CABLE SOCKET                  |
| 033          | 3143250               | 4.0               | KABELDOSE                     | CABLE SOCKET                  |
| 035          | 3317930               | 0.1               | WELLSCHLAUCH (METERWARE)      | CORRUGATED HOSE (YARD GOOD)   |
| 037          | 0553046               | 1.0               | REDUKTION                     | REDUCER                       |

|                           |   |  |  |                 |
|---------------------------|---|--|--|-----------------|
| <b>GROVE</b> <sup>®</sup> | KABELBAUM I/O 4<br>LACED WIRING HARNESS I/O 4 |  | ERSATZTEILLISTE<br>LIST OF SPARE PARTS | <b>GMK 5095</b> |
|                           |   |  | 05.13 <b>3177226-ETL B</b> 2/2         | <b>G 786</b>    |

KABELBAUM I/O 4

LACED WIRING HARNESS I/O 4



BILDTAFFEL  
PICTORIAL DISPLAY

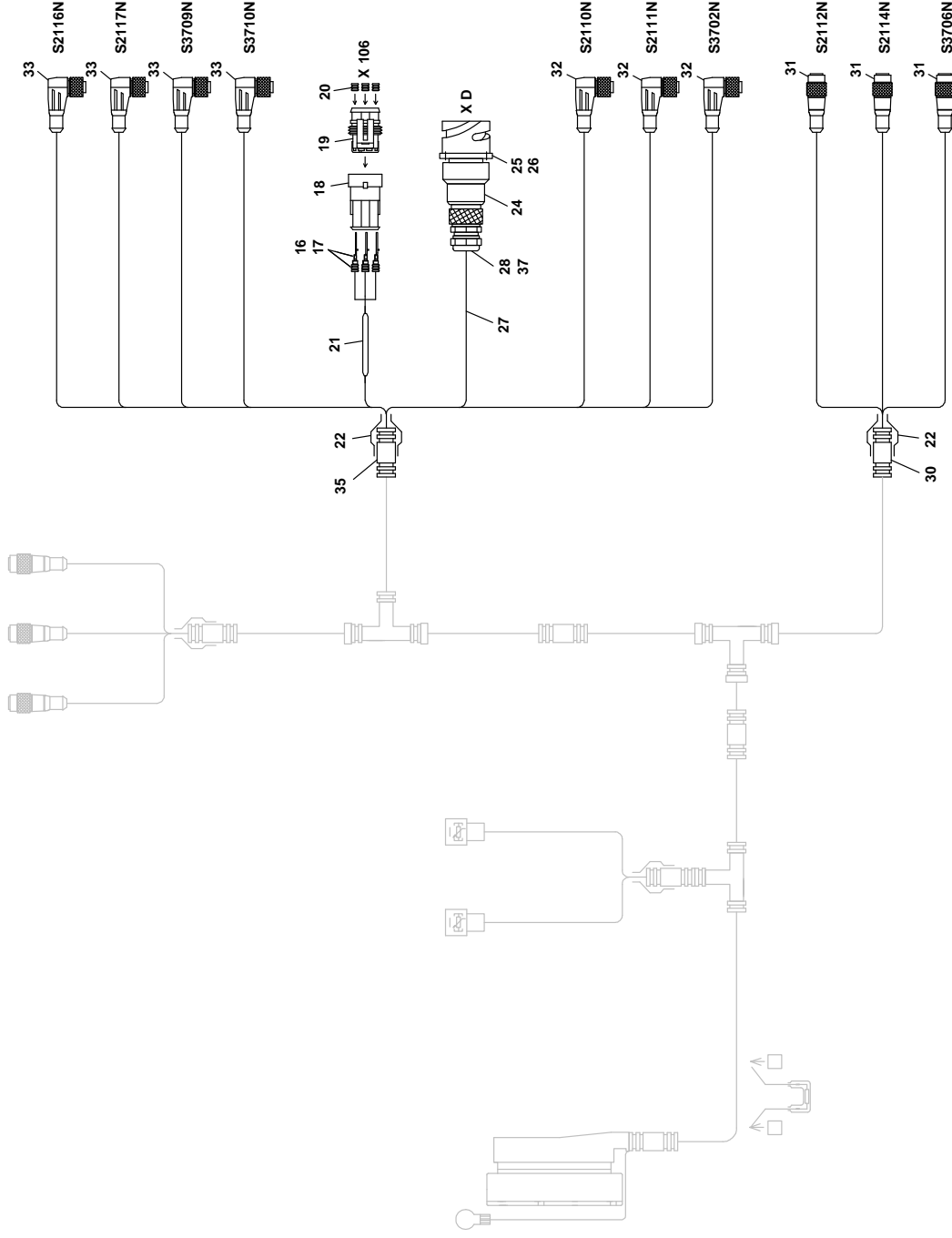
GMK 5095

05.13

3177226-ETL B

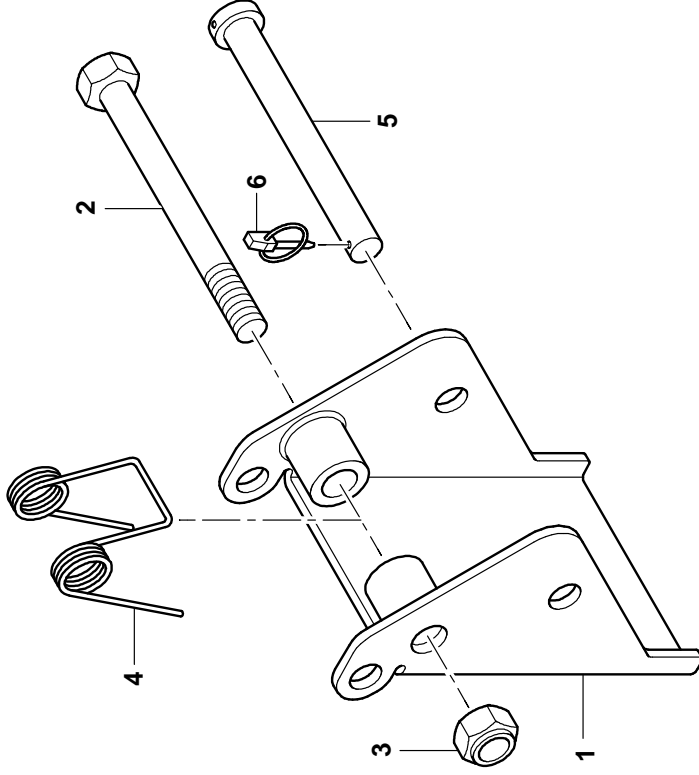
2/2

G 806



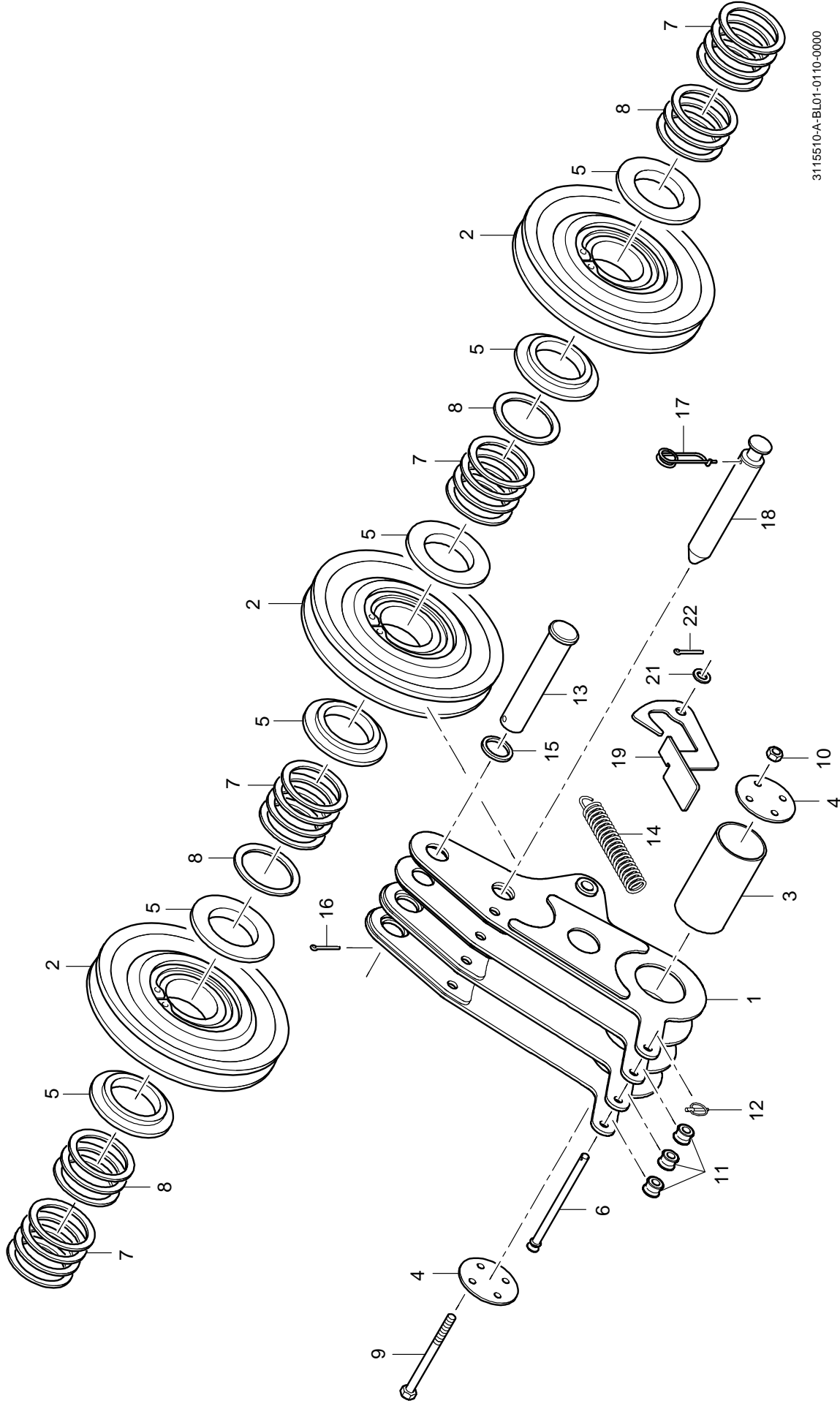
| POS.<br>POS. | TEILE-NR.<br>PART-NO. | MENGE<br>QUANTITY | BENENNUNG               | DESIGNATION                   |
|--------------|-----------------------|-------------------|-------------------------|-------------------------------|
| 001          | 3385670-ETL           | 1.0               | HALTERUNG WINKELEINHEIT | HOLDER ANGLE UNIT             |
| 002          | 1374658               | 4.0               | ZYLINDERSCHRAUBE        | HEXAGON SOCKET HEAD CAP SCREW |
| 003          | 1923999               | 4.0               | SCHEIBE                 | WASHER                        |
| 004          | 1686425               | 4.0               | SECHSKANTSCHRAUBE       | HEXAGON BOLT                  |

|                           |                          |  |  |                  |
|---------------------------|--------------------------|--|--|------------------|
| <b>GROVE</b> <sup>®</sup> | WINKELEINHEIT ANBAUTEILE |  | ERSATZTEILLISTE<br>LIST OF SPARE PARTS | <b>GIMK 5095</b> |
|                           | ANGULAR UNIT             |  |  |                  |
|                           |                          |  | <b>3204493-ETL A</b>                   | <b>G 806</b>     |



| POS.<br>POS. | TEILE-NR.<br>PART-NO. | MENGE<br>QUANTITY | BENENNUNG    | DESIGNATION       |
|--------------|-----------------------|-------------------|--------------|-------------------|
| 001          | 3215969-ETL           | 1.0               | UNTERFLASCHE | BOTTOM HOOK BLOCK |
| 002          | 3215970-ETL           | 1.0               | UNTERFLASCHE | BOTTOM HOOK BLOCK |

|                           |                                   |  |  |                             |
|---------------------------|-----------------------------------|--|--|-----------------------------|
| <b>GROVE</b> <sup>®</sup> | UNTERFLASCHE<br>BOTTOM HOOK BLOCK |  | ERSATZTEILLISTE<br>LIST OF SPARE PARTS<br><b>3198085-ETL A</b> | GMK 5095<br>BE 705<br>G 525 |
|                           |                                   |  |  |                             |



| POS.<br>POS. | TEILE-NR.<br>PART-NO. | MENGE<br>QUANTITY | BENENNUNG               | DESIGNATION      |
|--------------|-----------------------|-------------------|-------------------------|------------------|
| 009          | 3152468               | 1.0               | BLECH                   | PLATE            |
| 014          | 0118988               | 2.0               | SECHSKANTSCHRAUBE       | HEXAGON BOLT     |
| 015          | 0434709               | 2.0               | SECHSKANTMUTTER         | HEXAGON NUT      |
| 016          | 0437709               | 4.0               | SCHEIBE                 | WASHER           |
| 017          | 1573850               | 1.0               | SECHSKANTSCHRAUBE       | HEXAGON BOLT     |
| 018          | 0437648               | 1.0               | SECHSKANTMUTTER         | HEXAGON NUT      |
| 020          | 1067552               | 5.0               | SICHERUNGSNADEL         | RETAINING PIN    |
| 021          | 3056896               | 1.0               | HALTEBLECH              | HOLDING PLATE    |
| 022          | 3056898               | 2.0               | LASCHE                  | SHACKLE          |
| 023          | 3318779               | 2.0               | BOLZEN                  | PIN              |
| 024          | 0103216               | 1.0               | SECHSKANTSCHRAUBE       | HEXAGON BOLT     |
| 025          | 0434709               | 1.0               | SECHSKANTMUTTER         | HEXAGON NUT      |
| 026          | 0437185               | 2.0               | SECHSKANTSCHRAUBE       | HEXAGON BOLT     |
| 027          | 0437744               | 4.0               | SECHSKANTMUTTER         | HEXAGON NUT      |
| 035          | 3111878               | 1.0               | STANGENHALTER           | ROD HOLDER       |
| 036          | 0437181               | 2.0               | SECHSKANTSCHRAUBE       | HEXAGON BOLT     |
| 037          | 0437643               | 2.0               | SECHSKANTMUTTER         | HEXAGON NUT      |
| 038          | 3103304               | 1.0               | SCHIEBETEIL             | SLIDER           |
| 039          | 3327016               | 1.0               | BOLZEN                  | PIN              |
| 040          | 3488160               | 2.0               | ROLLE                   | ROLLER           |
| 041          | 3318776               | 1.0               | BOLZEN                  | PIN              |
| 042          | 0439145               | 1.0               | SPLINT                  | COTTER PIN       |
| 043          | 3063299               | 1.0               | BOLZEN                  | PIN              |
| 044          | 0438773               | 2.0               | SICHERHEITSKLAPPSTECKER | SAFETY LINCH PIN |
| 045          | 0437205               | 1.0               | SECHSKANTSCHRAUBE       | HEXAGON BOLT     |
| 046          | 0437746               | 1.0               | SECHSKANTMUTTER         | HEXAGON NUT      |
| 047          | 0027079               | 2.0               | SECHSKANTSCHRAUBE       | HEXAGON BOLT     |
| 048          | 0437743               | 2.0               | SECHSKANTMUTTER         | HEXAGON NUT      |
| 049          | 1686701               | 2.0               | SCHEIBE                 | WASHER           |

**GROVE**<sup>®</sup>

EINBAUTEILE SPITZE 10M  
MOUNTING PARTS JIB 10M

04.14

ERSATZTEILLISTE  
LIST OF SPARE PARTS

**3155609-ETL C**

2/2

**GMK 5095**  
**BE 710**  
**G 173**



DOPPELRUECKSCHLAGVENTIL  
DOUBLE BACK-PRESSURE VALVE

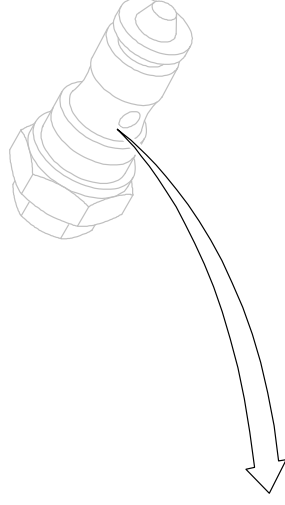
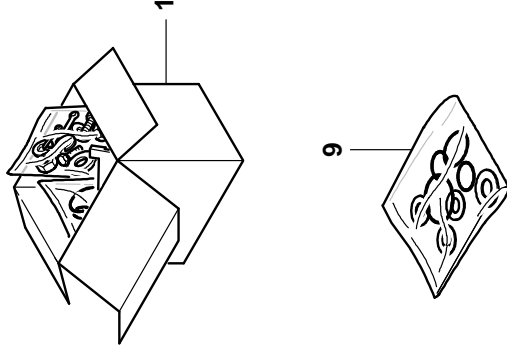
BILDTAFFEL  
PICTORIAL DISPLAY

06.13

1/1

2312308-ETL A

GMK 5095  
BE 710  
G 173



| POS.<br>POS. | TEILE-NR.<br>PART-NO. | MENGE<br>QUANTITY | BENENNUNG                  | DESIGNATION          |
|--------------|-----------------------|-------------------|----------------------------|----------------------|
| 003          | 3066252-ETL           | 1.0               | SCHLAUCHFUEHRUNG, KLAPPBAR | HOSE GUIDE, FOLDABLE |
| 005          | 1686425               | 2.0               | SECHSKANTSCHRAUBE          | HEXAGON BOLT         |
| 006          | 1923998               | 2.0               | SECHSKANTMUTTER            | HEXAGON NUT          |
| 007          | 1925033               | 4.0               | SCHEIBE                    | WASHER               |

**GROVE**<sup>®</sup>

SCHLAUCHFUEHRUNG  
GUIDE FOR HOSE

ERSATZTEILLISTE  
LIST OF SPARE PARTS

01.10      **3152799-ETL C**      1/1

**GMK 5095**  
**BE 710**  
**G 173**

**GROVE**<sup>®</sup>

E.-TEILE STECKERBRUECKE  
E.- PARTS, PLUG CONNECTION

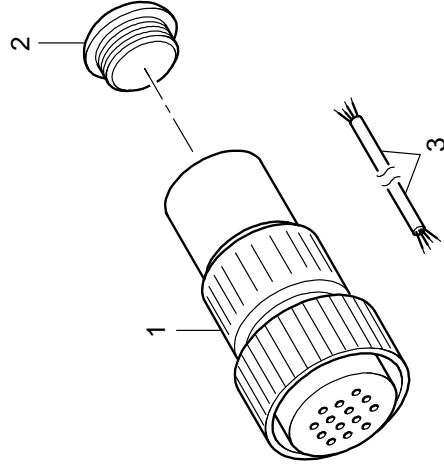
BILDTAFFEL  
PICTORIAL DISPLAY

07.10

1/1

**3011025-ETL #**

**GMK 5095  
BE 710  
G 173**



| POS.<br>POS. | TEILE-NR.<br>PART-NO. | MENGE<br>QUANTITY | BENENNUNG                      | DESIGNATION                   |
|--------------|-----------------------|-------------------|--------------------------------|-------------------------------|
| 001          | 3114612               | 1.0               | KLEMMENKASTEN                  | TERMINAL BOX                  |
| 003          | 2210324               | 1.0               | STECKDOSE                      | PLUG BOX                      |
| 004          | 2210325               | 1.0               | DICHTUNG                       | SEAL                          |
| 005          | 3323261               | 1.0               | KABELVERSCHRAUBUNG             | CABLE CONNECTION              |
| 007          | 1576519               | 1.0               | STECKDOSE                      | PLUG BOX                      |
| 008          | 1576520               | 2.0               | DICHTUNG                       | SEAL                          |
| 009          | 3327255               | 1.0               | FLANSCHSTECKDOSE               | PLUG BOX                      |
| 010          | 0559292               | 1.0               | STAUBKAPPE                     | DUST CAP                      |
| 011          | 3041586               | 1.0               | STECKDOSE                      | PLUG BOX                      |
| 012          | 2251114               | 16.0              | DURCHGANGSKLEMME               | THROUGH TERMINAL              |
| 013          | 1205297               | 2.0               | ENDKLAMMER                     | END CLAMP                     |
| 014          | 3327257               | 1.0               | ABDECKKAPPE                    | PROTECTIVE COVER              |
| 015          | 1370185               | 2.0               | DRUCKTASTER                    | PUSH-BUTTON                   |
| 016          | 1369596               | 2.0               | SCHUTZKAPPE                    | PROTECTION CAP                |
| 017          | 2313552               | 2.0               | SCHILD, PFEIL                  | SIGN, ARROW                   |
| 018          | 1374640               | 2.0               | ZYLINDERSCHRAUBE               | HEXAGON SOCKET HEAD CAP SCREW |
| 019          | 1374639               | 12.0              | ZYLINDERSCHRAUBE               | HEXAGON SOCKET HEAD CAP SCREW |
| 022          | 3320111               | 14.0              | SICHERUNGSRING                 | CIRCLIP                       |
| 023          | 1926022               | 0.2               | TRAGSCHIENE                    | ASSY. RAIL                    |
| 027          | 3046653               | 9.6               | PUR-SONDERLEITUNG (METERWARE)  | PUR-CABLE (YARD GOOD)         |
| 030          | 3315225               | 12.0              | SCHEIBE                        | WASHER                        |
| 031          | 1923996               | 18.0              | SECHSKANTMUTTER                | HEXAGON NUT                   |
| 033          | 1372640               | 1.0               | STAUBKAPPE                     | DUST CAP                      |
| 034          | 3011025-ETL           | 1.0               | E.-TEILE STECKERBRUECKE        | E.- PARTS, PLUG CONNECTION    |
| 035          | 2210332               | 1.0               | STECKER                        | PLUG                          |
| 036          | 0553052               | 1.0               | VERSCHLUSS-SCHRAUBE MIT O-RING | SCREW PLUG WITH O-RING        |
| 037          | 2312440               | 1.0               | STECKER                        | PLUG                          |
| 038          | 3046591               | 1.0               | KABELVERSCHRAUBUNG             | CABLE CONNECTION              |
| 039          | 3046518               | 1.0               | STECKDOSE                      | PLUG BOX                      |
| 040          | 1374637               | 4.0               | ZYLINDERSCHRAUBE               | HEXAGON SOCKET HEAD CAP SCREW |

|              |                                |  |  |                             |
|--------------|--------------------------------|--|--|-----------------------------|
| <b>GROVE</b> | E.-TEILE KLAPPSPITZE 11 M      |  | ERSATZTEILLISTE<br>LIST OF SPARE PARTS | GMK 5095<br>BE 710<br>G 173 |
|              | E.- PARTS, SWING-AWAY JIB 11 M |  |  |                             |

**GROVE®**  
 LAGERBOCK ZSB. VORNE  
 BEARING BLOCK, FRONT

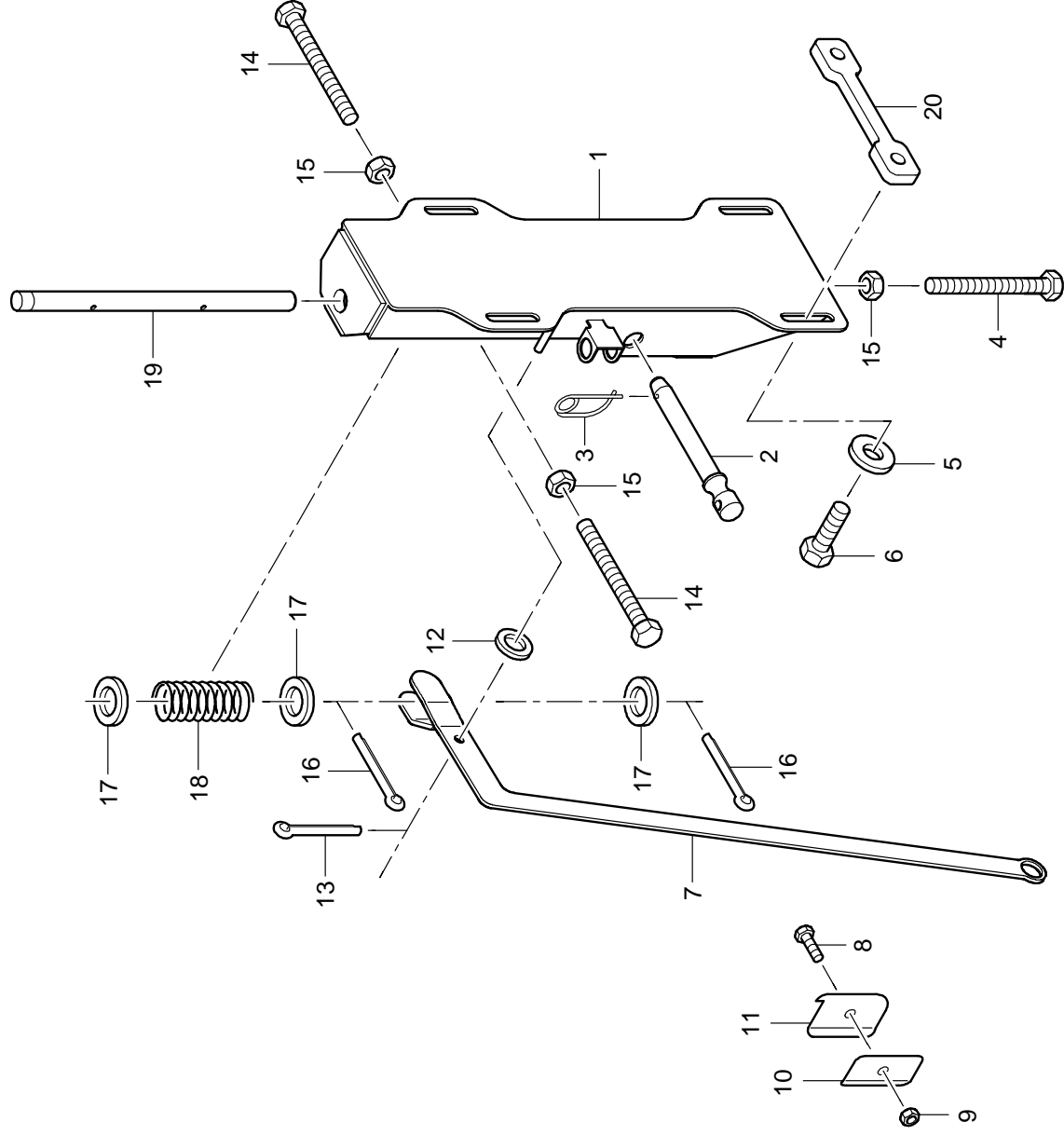
BILDTAFFEL  
 PICTORIAL DISPLAY

01.10

1/1

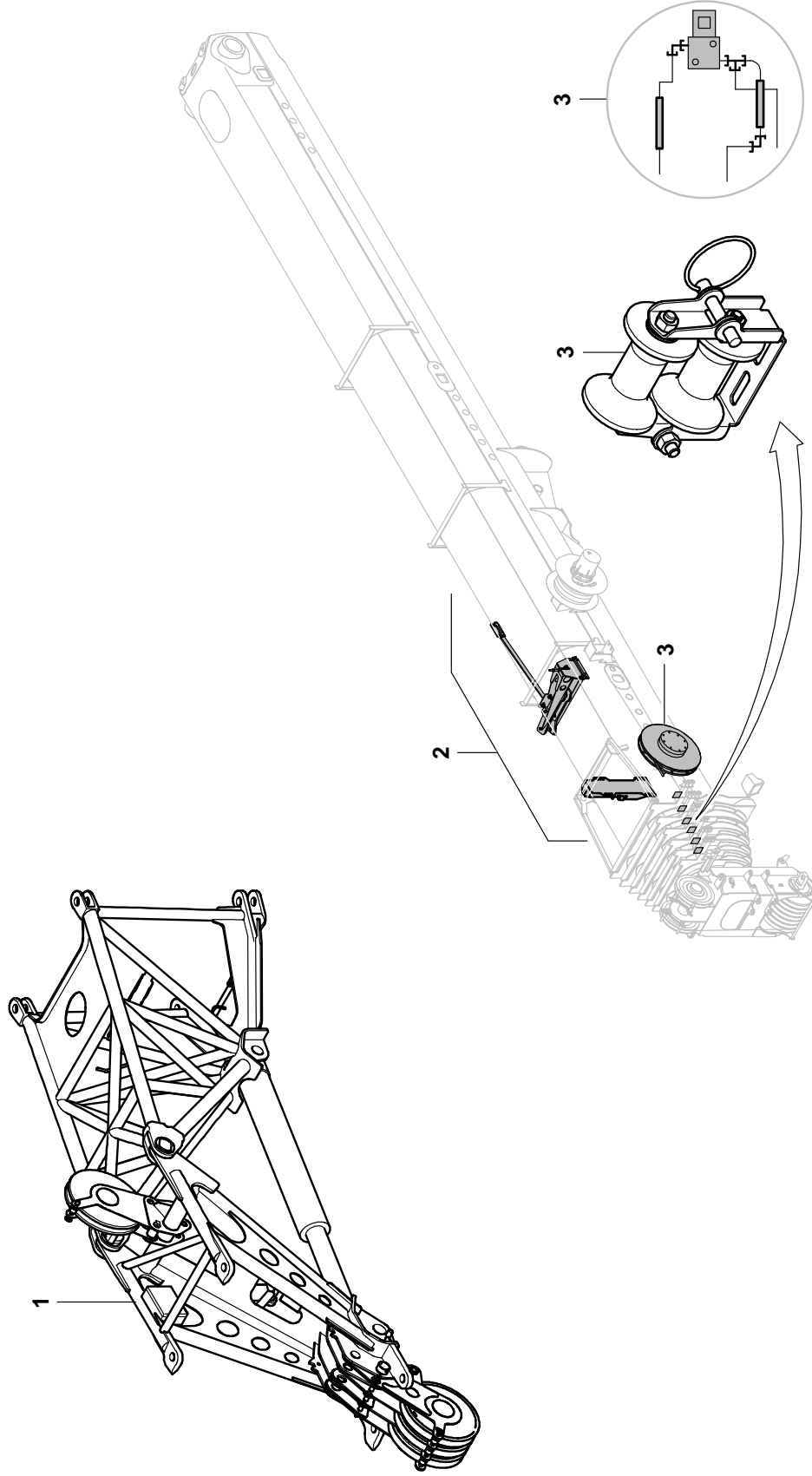
3120776-ETL A

GMK 5095  
 BE 710  
 G 173



| POS. | TEILE-NR.<br>PART-NO. | MENGE<br>QUANTITY | BENENNUNG   | DESIGNATION |
|------|-----------------------|-------------------|-------------|-------------|
| 001  | 3128015-ETL           | 1.0               | HALTER KPL. | HOLDER CPL. |

|                           |                  |  |                      |  |
|---------------------------|------------------|--|----------------------|--|
| <b>GROVE</b> <sup>®</sup> | HALTER<br>HOLDER | ERSATZTEILLISTE<br>LIST OF SPARE PARTS |                      | <b>GMK 5095</b><br><b>BE 710</b><br><b>G 173</b> |
|                           |                  | 01.10                                  | <b>3201650-ETL A</b> |  |



| POS.<br>POS. | TEILE-NR.<br>PART-NO. | MENGE<br>QUANTITY | BENENNUNG         | DESIGNATION                   |
|--------------|-----------------------|-------------------|-------------------|-------------------------------|
| 001          | 3063295               | 1.0               | ZWISCHENFLANSCH   | INTERMEDIATE FLANGE           |
| 002          | 3012850               | 1.0               | FLANSCH           | FLANGE                        |
| 003          | 3012848               | 1.0               | MITNEHMERARM      | CLEVIS ARM                    |
| 004          | 1685807               | 2.0               | ZYLINDERSCHRAUBE  | HEXAGON SOCKET HEAD CAP SCREW |
| 005          | 0437719               | 2.0               | FEDERRING         | SPRING WASHER                 |
| 006          | 0106839               | 1.0               | SPLINT            | COTTER PIN                    |
| 007          | 1207427               | 1.0               | SCHEIBE           | WASHER                        |
| 008          | 0437696               | 1.0               | SPANNSTIFT        | DOWEL PIN                     |
| 009          | 0438925               | 4.0               | SECHSKANTSCHRAUBE | HEXAGON BOLT                  |
| 010          | 0437543               | 4.0               | FEDERRING         | SPRING WASHER                 |
| 011          | 3054203               | 1.0               | SCHUTZHAUBE       | PROTECTING HOOD               |
| 012          | 0437176               | 2.0               | SECHSKANTSCHRAUBE | HEXAGON BOLT                  |
| 013          | 1686701               | 2.0               | SCHEIBE           | WASHER                        |
| 014          | 0103744               | 2.0               | ZYLINDERSCHRAUBE  | HEXAGON SOCKET HEAD CAP SCREW |
| 015          | 0437718               | 2.0               | FEDERRING         | SPRING WASHER                 |

|                           |   |  |  |  |
|---------------------------|---|--|--|--|
| <b>GROVE</b> <sup>®</sup> | ANBAUTEILE WINKELERFASSUNG<br>JIB MOUNTING PARTS ANGLE COLLECTION |  | ERSATZTEILLISTE<br>LIST OF SPARE PARTS | <b>GMK 5095</b><br><b>BE 710</b><br><b>G 173</b> |
|                           |   |  | 12.08                                  | 1/1  |
|                           |   |  | <b>3103317-ETL #</b>                   |  |

**GROVE**

SPITZE 10M  
JIB 10M

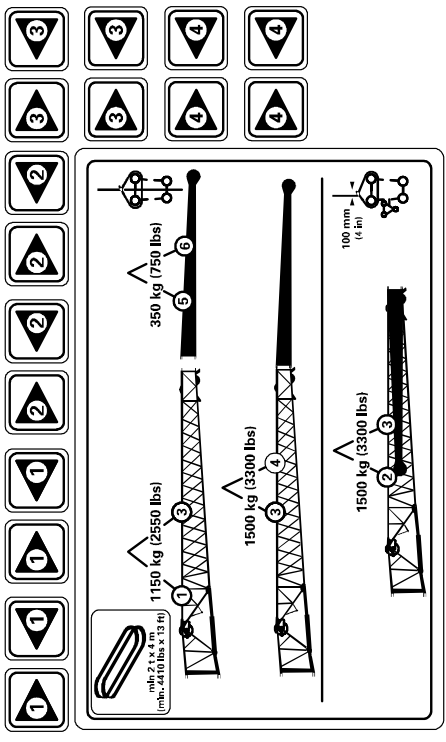
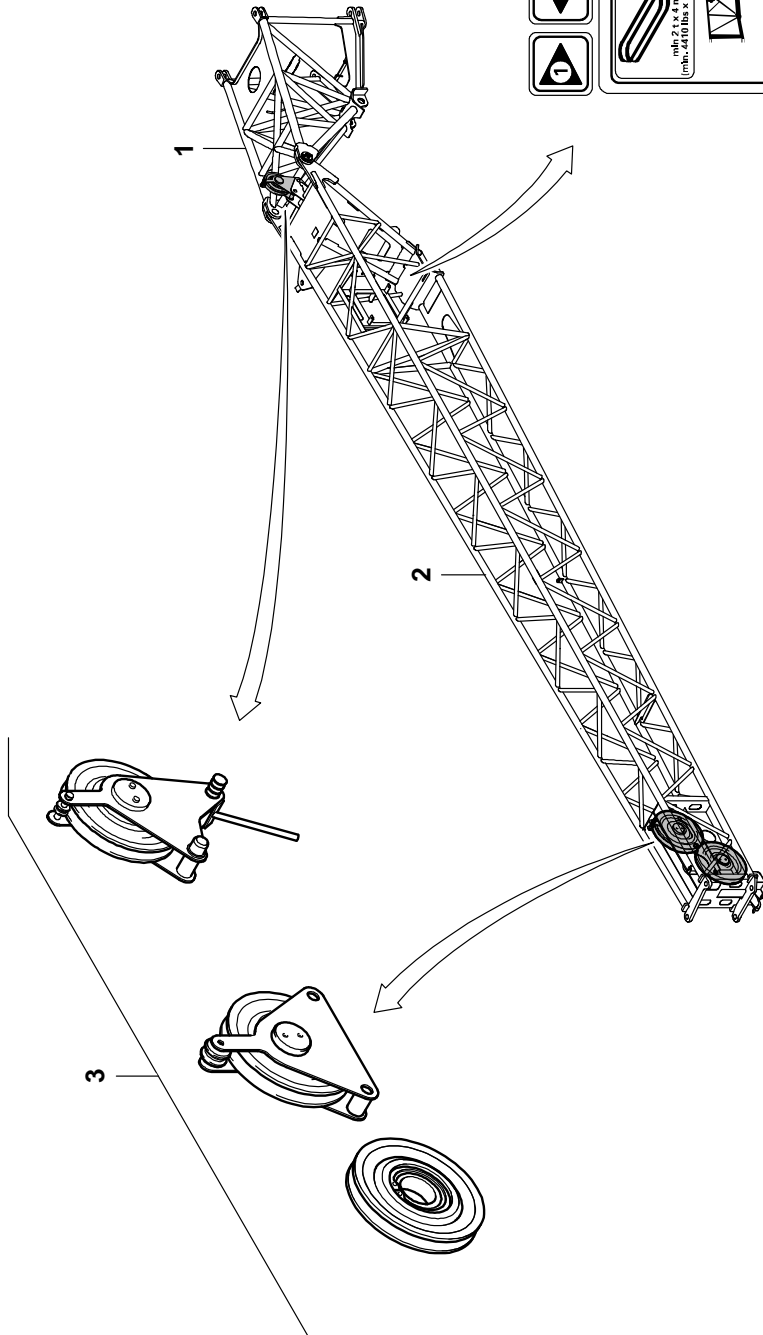
BILDTADEL  
PICTORIAL DISPLAY

04.14

3155608-ETL A

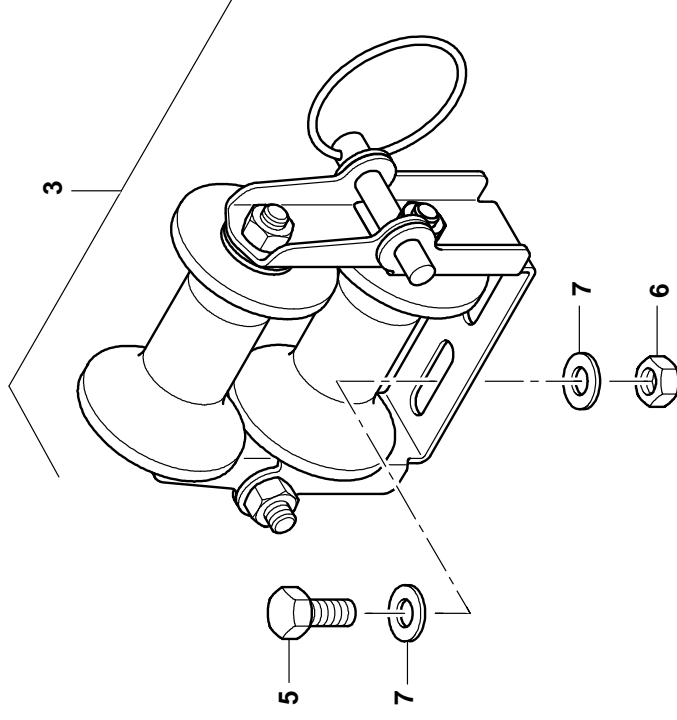
1/1

GMK 5095  
BE 710  
G 173



| POS.<br>POS. | TEILE-NR.<br>PART-NO. | MENGE<br>QUANTITY | BENENNUNG               | DESIGNATION             |
|--------------|-----------------------|-------------------|-------------------------|-------------------------|
| 001          | 3319616               | 1.0               | DICHTUNGSSATZ           | SET OF SEALS            |
| 002          | 3316633               | 1.0               | DRUCKBEGRENZUNGSVENTIL  | PRESSURE LIMITING VALVE |
| 003          | 2312308-ETL           | 1.0               | DOPPELRUECKSCHLAGVENTIL | DOUBLE NONRETURN VALVE  |
| 004          | 3319972               | 1.0               | GELENKLAGER             | JOINT BEARING           |
| 005          | 3324711               | 1.0               | GELENKAUGE              | BUSH                    |
| 006          | 3138944               | 1.0               | FUEHRUNGSKOPF           | GUIDE HEAD              |
| 007          | 4159339               | 1.0               | KOLBENSTANGE KPL.       | PISTON ROD CPL.         |
| 008          | 3319975               | 1.0               | SPRENGRING              | RETAINING DEVICE        |
| 009          | 3044001               | 2.0               | SICHERUNGSRING          | CIRCLIP                 |
| 010          | 0105336               | 2.0               | SICHERUNGSRING          | CIRCLIP                 |
| 011          | 1368729               | 2.0               | VERSCHLUSS-SCHRAUBE     | SCREW PLUG              |
| 012          | 3321675               | 2.0               | BUCHSE                  | BUSH                    |

|                           |                                  |  |  |  |
|---------------------------|----------------------------------|--|--|--|
| <b>GROVE</b> <sup>®</sup> | WIPPZYLINDER<br>LUFFING CYLINDER |  | ERSATZTEILLISTE<br>LIST OF SPARE PARTS | <b>GMK 5095</b><br><b>BE 710</b><br><b>G 173</b> |
|                           |                                  |  | 02.13                                  | <b>3323713-ETL B</b><br>1/1                      |



| POS.<br>POS. | TEILE-NR.<br>PART-NO. | MENGE<br>QUANTITY | BENENNUNG         | DESIGNATION  |
|--------------|-----------------------|-------------------|-------------------|--------------|
| 001          | 3165953               | 1.0               | BLECH             | PLATE        |
| 002          | 1923998               | 11.0              | SECHSKANTMUTTER   | HEXAGON NUT  |
| 003          | 1925033               | 11.0              | SCHEIBE           | WASHER       |
| 004          | 1686425               | 11.0              | SECHSKANTSCHRAUBE | HEXAGON BOLT |

|                           |                              |  |  |                             |
|---------------------------|------------------------------|--|--|-----------------------------|
| <b>GROVE</b> <sup>®</sup> | ANBAU KASTEN<br>MOUNTING BOX |  | ERSATZTEILLISTE<br>LIST OF SPARE PARTS | GMK 5095<br>BE 710<br>G 173 |
|                           |                              |  | 11.08                                  | 3165952-ETL # 1/1           |

HYDR.-ANLAGE NOTBETRIEB, TRANSFORMATOR  
 HYDR. SYSTEM, EMERGENCY MODE, TRANSFORMER

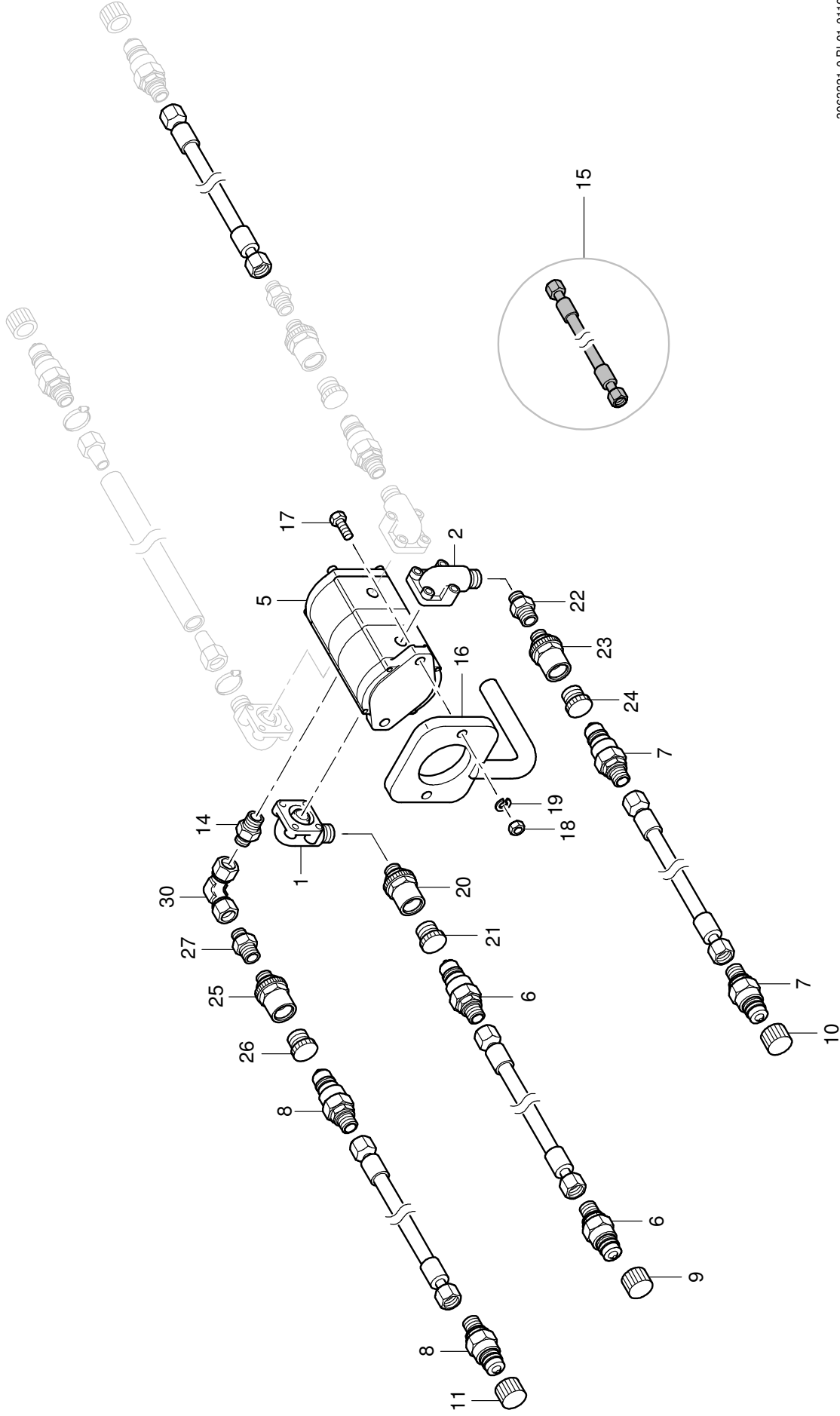
GMK 5095  
 BE 740  
 G 789

BILDTADEL  
 PICTORIAL DISPLAY

01.10

1/2

3063221-ETL #



| POS.<br>POS. | TEILE-NR.<br>PART-NO. | MENGE<br>QUANTITY | BENENNUNG     | DESIGNATION  |
|--------------|-----------------------|-------------------|---------------|--------------|
| 001          | 3319993               | 1.0               | DICHTUNGSSATZ | SET OF SEALS |
| 002          | 3042468               | 1.0               | GRIFF         | HANDLE       |

|                           |   |  |  |                              |
|---------------------------|---|--|--|------------------------------|
| <b>GROVE</b> <sup>®</sup> | BLOCK-KUGELHAHN<br>BLOCK-TYPE BALL COCK |  | ERSATZTEILLISTE<br>LIST OF SPARE PARTS<br><b>1926673-ETL B</b> | GIMK 5095<br>BE 740<br>G 789 |
|                           |   |  |  |                              |

EINBAU E.-TEILE LUFTEINLASSABSPERRVENTIL  
MOUNTING ELECTRIC PARTS AIR-CHECK VALVE

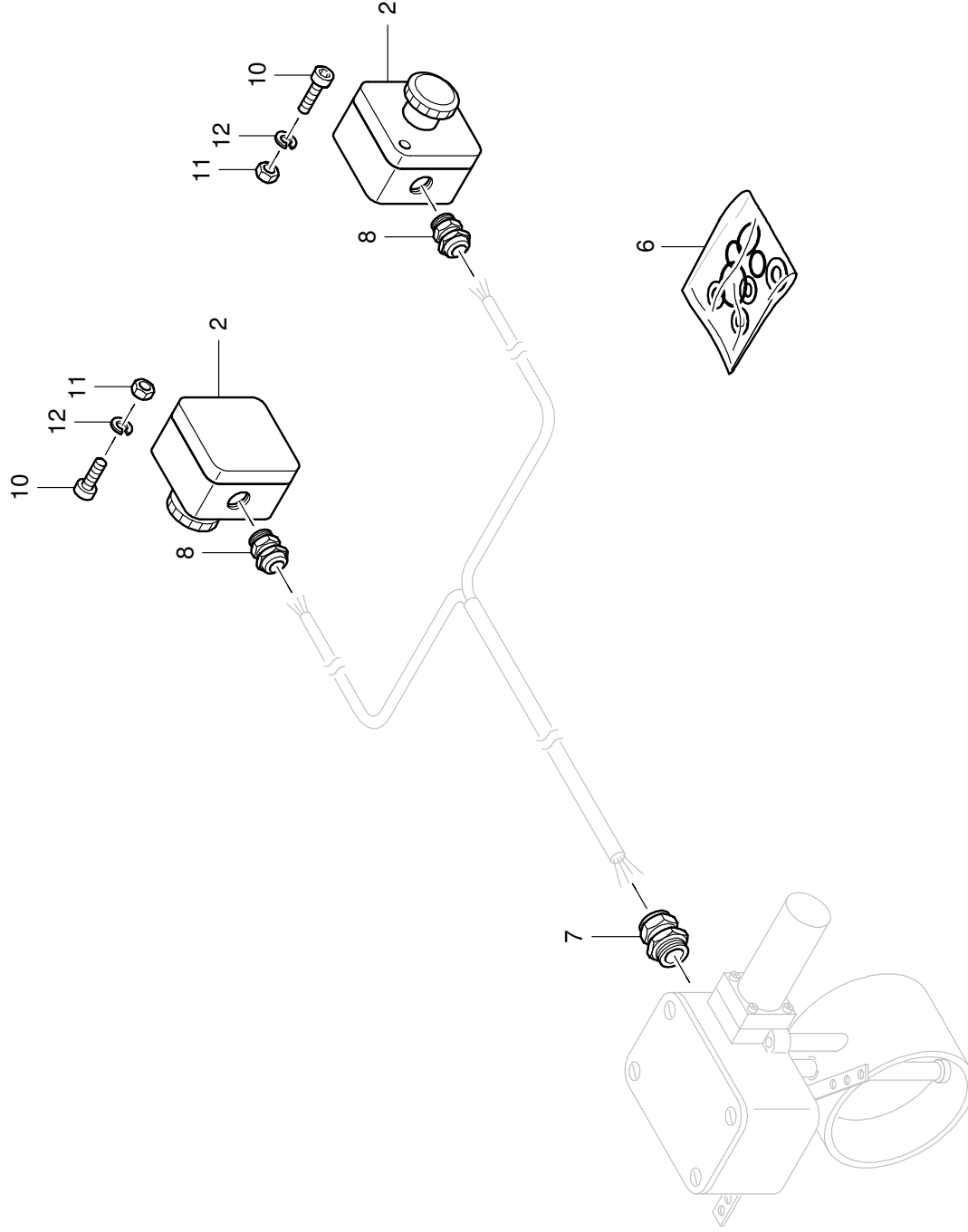
BILDTADEL  
PICTORIAL DISPLAY

01.10

1/1

3152185-ETL #

GMK 5095  
BE 750  
G 631



| POS.<br>POS. | TEILE-NR.<br>PART-NO. | MENGE<br>QUANTITY | BENENNUNG                               | DESIGNATION                                       |
|--------------|-----------------------|-------------------|---|---|
| 001          | 3189640-ETL           | 1.0               | E.-TEILE NEW YORK HOUSE LOCK, OBERWAGEN | E.- PARTS, NEW YORK HOUSE LOCK,<br>SUPERSTRUCTURE |
| 002          | 3189641-ETL           | 1.0               | E.-TEILE NEW YORK HOUSE LOCK            | E.- PARTS, NEW YORK HOUSE LOCK                    |

|                           |                                |  |  |   |
|---------------------------|--------------------------------|--|--|---|
| <b>GROVE</b> <sup>®</sup> | E.-TEILE NEW YORK HOUSE LOCK   |  | ERSATZTEILLISTE<br>LIST OF SPARE PARTS | <b>GIMK 5095</b><br><b>BE 751</b><br><b>G 536</b> |
|                           | E.- PARTS, NEW YORK HOUSE LOCK |  |  |   |



HINDERNISFEUERLEUCHTE KPL.  
HAZARD LIGHT CPL. WITH HOLDER

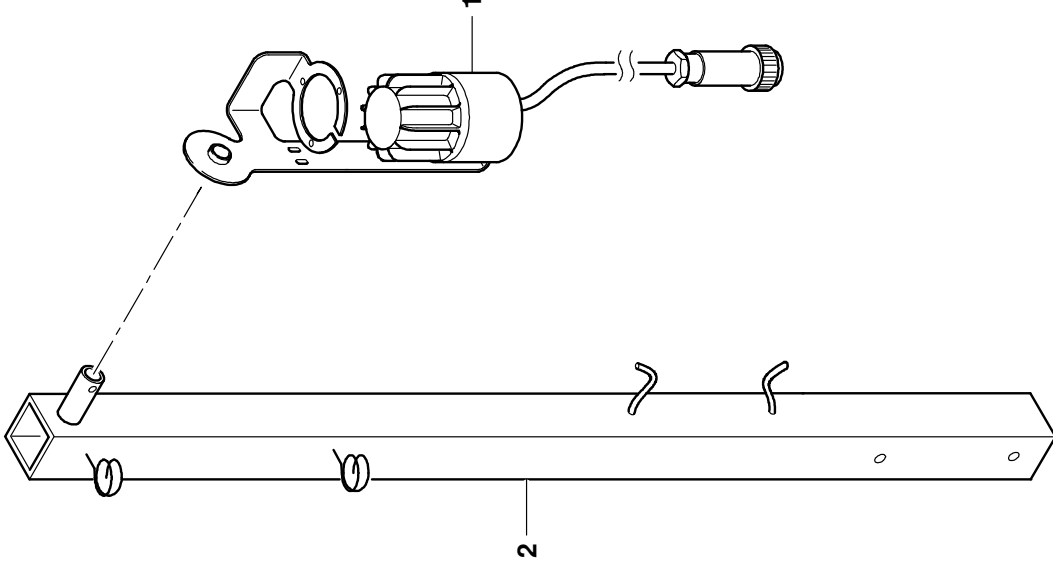
BILDTADEL  
PICTORIAL DISPLAY

01.12

1/1

3126100-ETL D

GMK 5095  
BE 751  
G 806



| POS.<br>POS. | TEILE-NR.<br>PART-NO. | MENGE<br>QUANTITY | BENENNUNG         | DESIGNATION      |
|--------------|-----------------------|-------------------|-------------------|------------------|
| 001          | 3138232               | 1.0               | FILTERKOPF        | FILTER HEAD      |
| 002          | 3327202               | 1.0               | DECKEL            | COVER            |
| 003          | 3045826               | 1.0               | DICHTRING         | SEALING RING     |
| 004          | 4155576               | 1.0               | DICHTRING         | SEALING RING     |
| 005          | 3135604               | 2.0               | RUECKSCHLAGVENTIL | NON-RETURN VALVE |
| 006          | 3141704               | 1.0               | DICHTBEILAGE      | GASKET           |
| 007          | 3328574               | 1.0               | FILTEREINSATZ     | FILTER ELEMENT   |
| 008          | 3328573               | 1.0               | FILTEREINSATZ     | FILTER ELEMENT   |

|                           |  |  |  |  |
|---------------------------|--|--|--|--|
| <b>GROVE</b> <sup>®</sup> | KRAFTSTOFF-FILTER KPL.<br>FUEL FILTER CPL. |  | ERSATZTEILLISTE<br>LIST OF SPARE PARTS | <b>GMK 5095</b><br><b>BE 751</b><br><b>G 806</b> |
|                           |  |  | 10.11                                  | 1/1  |
|                           |  |  | <b>3316029-ETL B</b>                   |  |

VIDEOSYSTEM HILFSHUBWERK  
VIDEO SYSTEM AUXILIARY HOISTING GEAR

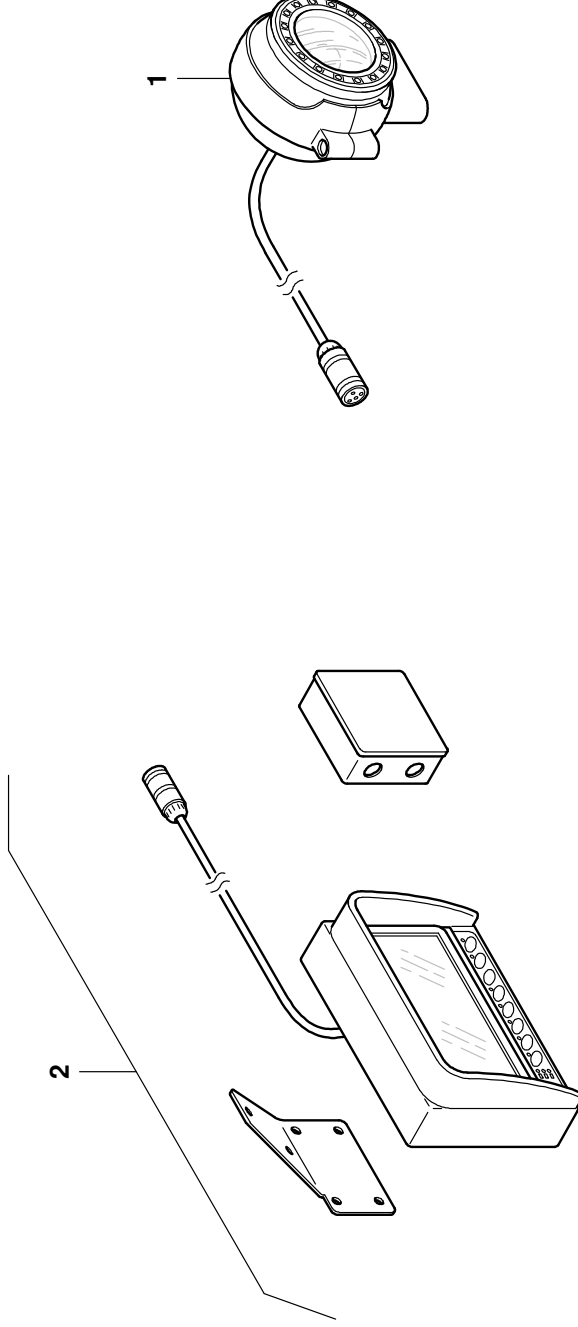
BILDTAFFEL  
PICTORIAL DISPLAY

03.13

1/1

3207607-ETL #

GMK 5095  
BE 751  
G 806



| POS.<br>POS. | TEILE-NR.<br>PART-NO. | MENGE<br>QUANTITY | BENENNUNG           | DESIGNATION         |
|--------------|-----------------------|-------------------|---------------------|---------------------|
| 001          | 3324380               | 1.0               | KUEHLELEMENT        | RADIATOR SECTION    |
| 002          | 3324381               | 1.0               | LUEFTEREINHEIT      | FAN UNIT            |
| 003          | 3324382               | 1.0               | DICHTUNGSBAND       | SEAL STRAP          |
| 004          | 3324383               | 4.0               | DISTANZBLOCK        | SPACER              |
| 005          | 3324384               | 1.0               | GEGENSTECKER        | CONNECTING PLUG     |
| 006          | 3324880               | 2.0               | UNIVERSAL VERBINDER | UNIVERSAL CONNECTOR |

|                           |   |  |  |                              |
|---------------------------|---|--|--|------------------------------|
| <b>GROVE</b> <sup>®</sup> | OEL-LUFTKUEHLER<br>AIR-/OIL INTERCOOLER |  | ERSATZTEILLISTE<br>LIST OF SPARE PARTS | GIMK 5095<br>BE 752<br>G 786 |
|                           |   |  |  |                              |
|                           |   |  | <b>3323516-ETL B</b>                   |                              |

STANDHEIZUNG  
AUXILIARY HEATING

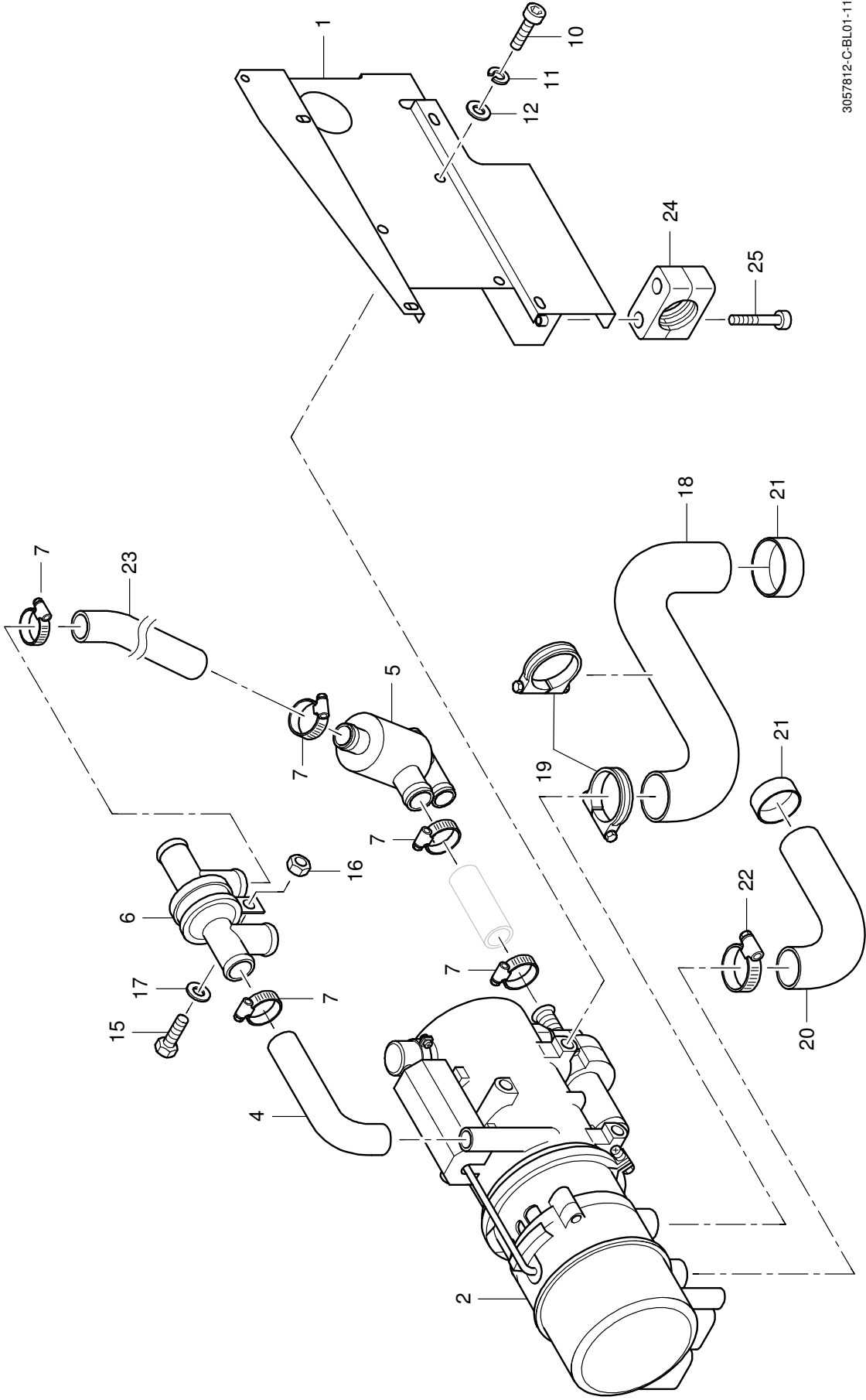
BILDTADEL  
PICTORIAL DISPLAY

11.09

1/1

3057812-ETL C

GMK 5095  
BE 753  
G 296



| POS.<br>POS. | TEILE-NR.<br>PART-NO. | MENGE<br>QUANTITY | BENENNUNG                  | DESIGNATION                |
|--------------|-----------------------|-------------------|----------------------------|----------------------------|
| 001          | 2254950               | 1.0               | ARBEITSSSCHEINWERFER       | SPOTLIGHT                  |
| 002          | 2309610               | 2.0               | HALOGENLAMPE (100 W, 24 V) | HALOGEN LAMP (100 W, 24 V) |
| 003          | 1683995               | 1.0               | TUELLENGEHAEUSE            | CASIGN                     |
| 004          | 1206427               | 1.0               | STECKEREINSATZ             | PLUG INSERT                |
| 005          | 2212602               | 1.0               | STEUERLEITUNG (METERWARE)  | CONTROL LINE (YARD GOOD)   |
| 006          | 1370502               | 1.0               | KABELVERSCHRAUBUNG         | CABLE CONNECTION           |
| 007          | 1370503               | 1.0               | KABELVERSCHRAUBUNG         | CABLE CONNECTION           |
| 008          | 2312645               | 2.0               | ADERENDHUELSE              | MULTICORE CABLE END        |
| 009          | 2312363               | 4.0               | ADERENDHUELSE              | MULTICORE CABLE END        |

|                           |                                     |     |  |                              |
|---------------------------|-------------------------------------|-----|--|------------------------------|
| <b>GROVE</b> <sup>®</sup> | ARBEITSSSCHEINWERFER<br>WORK LIGHTS |     | ERSATZTEILLISTE<br>LIST OF SPARE PARTS<br><b>3054827-ETL A</b> | GIMK 5095<br>BE 755<br>G 806 |
|                           | 04.09                               | 1/1 |  |                              |

STUETZLAENGENUEBERWACHUNG  
SUPPORT STRETCH CONTROLLING

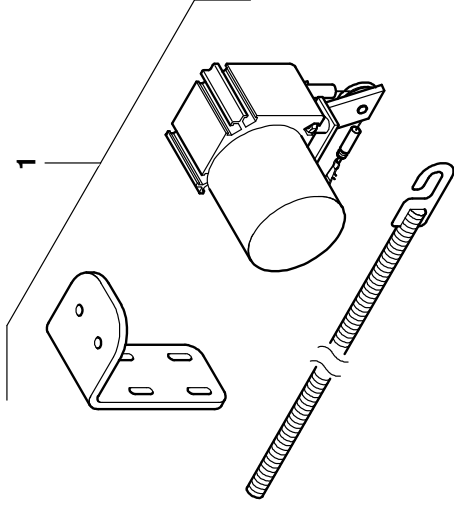
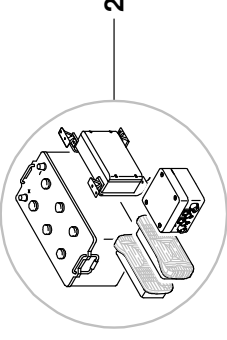
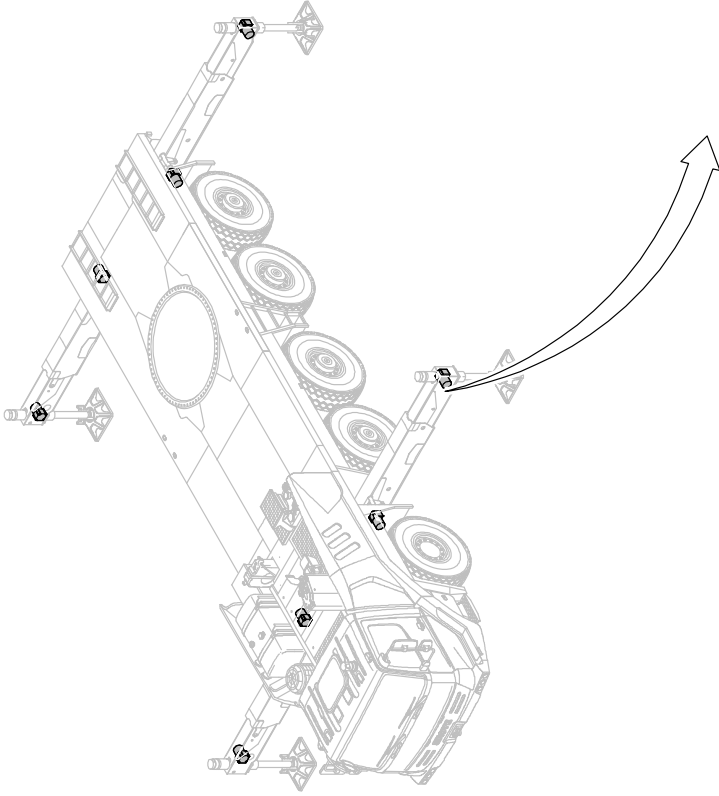


BILDTAFFEL  
PICTORIAL DISPLAY

1/1

04.12  
**3184369-ETL A**

**GMK 5095**  
**BE 756**  
**G 801**



| POS.<br>POS. | TEILE-NR.<br>PART-NO. | MENGE<br>QUANTITY | BENENNUNG                                       | DESIGNATION          |
|--------------|-----------------------|-------------------|---|----------------------|
| 001          | 3326328               | 1.0               | AUTOMATIKEINHEIT, KPL.                          | AUTOMATIC UNIT, CPL. |
| 002          | 3326329               | 1.0               | FANGMAUL  | COUPLER HEAD         |
| 003          | 3326330               | 1.0               | REPARATURSATZ KUPPLUNGSBOLZEN / BUCHSEN<br>KPL. | REPAIR KIT CPL.      |
| 004          | 3326331               | 1.0               | SCHLIESSFEDERN KPL.                             | LOCKING SPRINGS CPL. |
| 005          | 3326332               | 1.0               | RASTBOLZEN KPL.                                 | STOP BOLT CPL.       |
| 006          | 3326333               | 1.0               | ZUGSTANGE KPL.                                  | PULL ROD CPL.        |
| 007          | 3326334               | 1.0               | GUMMIFEDERN                                     | RUBBER SPRINGS       |
| 008          | 3326335               | 1.0               | DRUCKSCHEIBE KPL.                               | THRUST WASHERS CPL.  |
| 009          | 3324444               | 1.0               | KONUSSCHEIBE                                    | CONE WASHER          |
| 010          | 3324442               | 1.0               | ABSCHLUSSKAPPE                                  | END COVER            |
| 011          | 3326327               | 1.0               | HANDHEBEL                                       | HAND LEVER           |



ANHAENGERKUPPLUNG  
TRAILER COUPLING

ERSATZTEILLISTE  
LIST OF SPARE PARTS

10.08      3324494-ETL A      1/1

**GIMK 5095**  
**BE 758**  
**G 000**

ANHAENGERKUPPLUNG  
TRAILER COUPLING

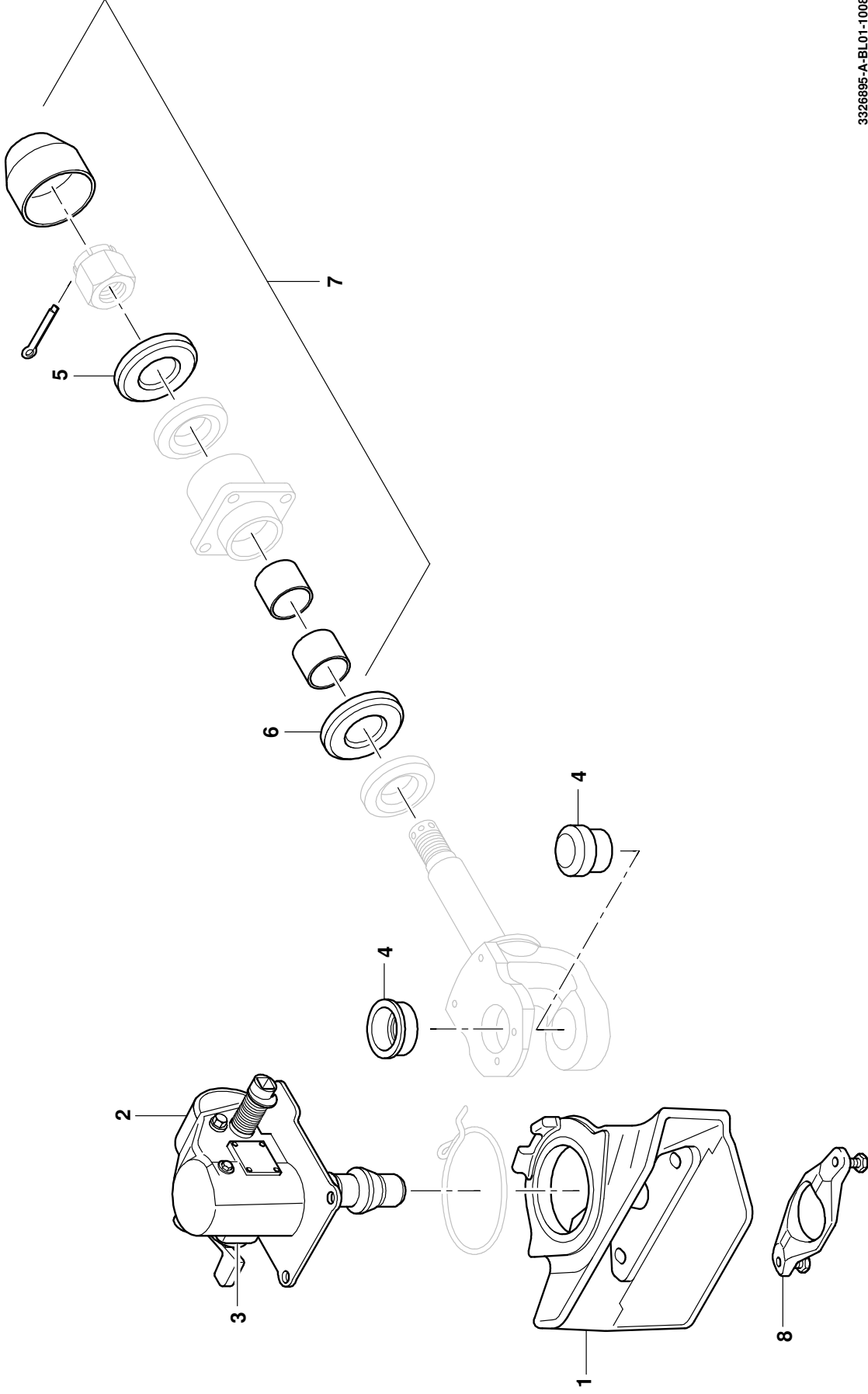
BILDTADEL  
PICTORIAL DISPLAY

10.08

1/1

3326895-ETL A

GMK 5095  
BE 758  
G 000



| POS.<br>POS. | TEILE-NR.<br>PART-NO. | MENGE<br>QUANTITY | BENENNUNG                    | DESIGNATION         |
|--------------|-----------------------|-------------------|------------------------------|---------------------|
| 001          | 3319176               | 1.0               | REPARATURSATZ                | REPAIR KIT          |
| 002          | 3319177               | 1.0               | REPARATURSATZ SCHALLDAEMPFER | REPAIR KIT SILENCER |

|                           |                             |  |  |       |     |                                       |
|---------------------------|-----------------------------|--|--|-------|-----|---------------------------------------|
| <b>GROVE</b> <sup>®</sup> | RELAISVENTIL<br>RELAY VALVE |  | ERSATZTEILLISTE<br>LIST OF SPARE PARTS<br><b>3317214-ETL A</b> | 11.10 | 1/1 | <b>GIMK 5095<br/>BE 758<br/>G 751</b> |
|                           |                             |  |  |       |     |                                       |

| GRUPPE(G)<br>GROUP (G) | BENENNUNG<br>DESIGNATION                             | TEILE-NR.<br>PART-NO. | SEITE<br>PAGE |
|------------------------|--|-----------------------|---------------|
| <b>786</b>             | <b>VARIANTE HYDR.-ANLAGE NACHLAEUFERBETRIEB</b>      |                       |               |
|                        | VARIANTE HYDR.-ANLAGE NACHLAEUFERBETRIEB             | 3238661-ETL           | 5             |
|                        | HYDR.-ANLAGE NACHLAEUFERBETRIEB                      | 3156735-ETL           | 7             |
|                        | SCHLAUCHLEITUNGEN NACHLAEUFERBETRIEB OHNE...         | 3166120-ETL           | 9             |
|                        | BLOCK-KUGELHAHN                                      | 3320947-ETL           | 11            |
|                        | NACHLAEUFERBETRIEB WIPPZYLINDER                      | 3167311-ETL           | 13            |
|                        | 2-WEGE-BLOCK-KUGELHAHN                               | 1678365-ETL           | 15            |
|                        | SCHLAUCHLEITUNGEN NACHLAEUFERBETRIEB WIPPZYLINDER    | 3166119-ETL           | 17            |
|                        | BLOCK-KUGELHAHN                                      | 1577655-ETL           | 19            |
|                        | VARIANTE HYDR.-ANLAGE NACHLAEUFERBETRIEB ...         | 3238662-ETL           | 21            |
|                        | HYDR.-ANLAGE NACHLAEUFERBETRIEB ...                  | 3238663-ETL           | 23            |
|                        | SCHLAUCHLEITUNGEN NACHLAEUFERBETRIEB RINGSEITE       | 3167656-ETL           | 25            |
|                        | NACHLAEUFERBETRIEB WIPPZYLINDER ...                  | 3167657-ETL           | 27            |
|                        | SCHLAUCHLEITUNGEN NACHLAEUFERBETRIEB WIPPZYLINDER... | 3167658-ETL           | 33            |
|                        | FUELLEINHEIT NACHLAEUFERBETRIEB VORSPANNUNG          | 3167668-ETL           | 35            |
|                        | BLOCK-KUGELHAHN                                      | 3318957-ETL           | 37            |
|                        | SCHLAUCHLEITUNGEN FUELLEINHEIT NACHLAEUFERBETRIEB    | 3167294-ETL           | 39            |
|                        | DRUCKBEGRENZUNGSVENTIL NACHLAEUFERBETRIEB            | 3166121-ETL           | 41            |
|                        | HYDR.-ANLAGE NACHLAEUFERBETRIEB ...                  | 3238664-ETL           | 45            |
|                        | SCHLAUCHLEITUNGEN NACHLAEUFERBETRIEB KOLBENSEITE     | 3167288-ETL           | 47            |
|                        | NACHLAEUFERBETRIEB WIPPZYLINDER                      | 3167655-ETL           | 49            |
|                        | SCHLAUCHLEITUNGEN NACHLAEUFERBETRIEB WIPPZYLINDER    | 3167291-ETL           | 55            |
|                        | FUELLEINHEIT NACHLAEUFERBETRIEB VORSPANNUNG          | 3167292-ETL           | 57            |
|                        | DRUCKBEGRENZUNGSVENTIL NACHLAEUFERBETRIEB            | 3167293-ETL           | 63            |
|                        | VARIANTEN UMBAU DREHWERK AUF FREISCHALTUNG BREMSE    | 3194452-ETL           | 67            |
|                        | UMBAU DREHWERK MIT FREISCHALTUNG DER BREMSE          | 3220259-ETL           | 69            |
|                        | DREHWERK   | 3010220-ETL           | 71            |
|                        | EINHEITSGETRIEBE KPL.                                | 3328081-ETL           | 73            |
|                        | HYDRO-LAMELLENBREMSE                                 | 2315068-ETL           | 75            |
|                        | BREMSE   | 3010333-ETL           | 77            |
|                        | DREHWERK   | 3200199-ETL           | 79            |
|                        | DREHWERK, UMBAU AUF FREISCHALTUNG                    | 3134400-ETL           | 83            |
|                        | LAMELLENBREMSE                                       | 2315068-ETL           | 85            |
|                        | <b>VARIANTS HYDR. SYSTEM TRAILER OPERATION</b>       |                       |               |
|                        | VARIANTS HYDR. SYSTEM TRAILER OPERATION              | 3238661-ETL           | 5             |
|                        | HYDR. SYSTEM TRAILER OPERATION ...                   | 3156735-ETL           | 7             |
|                        | HOSES TRAILER OPERATION WITHOUT ...                  | 3166120-ETL           | 9             |
|                        | BLOCK-TYPE BALL COCK                                 | 3320947-ETL           | 11            |
|                        | TRAILER OPERATION DERRICKING CYLINDER                | 3167311-ETL           | 13            |
|                        | BLOCK-TYPE BALL COCK                                 | 1678365-ETL           | 15            |
|                        | HOSES TRAILER OPERATION DERRICKING CYLINDER          | 3166119-ETL           | 17            |
|                        | BLOCK-TYPE BALL COCK                                 | 1577655-ETL           | 19            |
|                        | VARIANTS HYDR. SYSTEM TRAILER OPERATION ...          | 3238662-ETL           | 21            |
|                        | HYDR. SYSTEM TRAILER OPERATION ...                   | 3238663-ETL           | 23            |
|                        | HOSES TRAILER OPERATION RING SIDE                    | 3167656-ETL           | 25            |
|                        | TRAILER OPERATION LUFFING CYLINDER ...               | 3167657-ETL           | 27            |
|                        | HOSES TRAILER OPERATION LUFFING CYLINDER ...         | 3167658-ETL           | 33            |
|                        | FILL DEVICE TRAILER OPERATION PRESTRESS              | 3167668-ETL           | 35            |
|                        | BLOCK-TYPE BALL COCK                                 | 3318957-ETL           | 37            |
|                        | HOSES FILL DEVICE TRAILER OPERATION                  | 3167294-ETL           | 39            |
|                        | RELIEF VALVE TRAILER OPERATION                       | 3166121-ETL           | 41            |
|                        | HYDR. SYSTEM TRAILER OPERATION ...                   | 3238664-ETL           | 45            |
|                        | HOSES TRAILER OPERATION PISTONS PAGE                 | 3167288-ETL           | 47            |
|                        | TRAILER OPERATION DERRICKING CYLINDER                | 3167655-ETL           | 49            |
|                        | HOSES TRAILER OPERATION LUFFING CYLINDER             | 3167291-ETL           | 55            |
|                        | FILL DEVICE TRAILER OPERATION PRESTRESS              | 3167292-ETL           | 57            |
|                        | RELIEF VALVE TRAILER OPERATION                       | 3167293-ETL           | 63            |
|                        | VARIANTS REBUILDING SLEWING GEAR FREE SHIFT BRAKE    | 3194452-ETL           | 67            |
|                        | REBUILDING SLEWING GEAR WITH FREE SHIFT BRAKE        | 3220259-ETL           | 69            |
|                        | SLEWING GEAR   | 3010220-ETL           | 71            |
|                        | STANDARD GEAR CPL.                                   | 3328081-ETL           | 73            |
|                        | HYDR.-MULTIPLE-DISK BRAKE                            | 2315068-ETL           | 75            |
|                        | BRAKE  | 3010333-ETL           | 77            |
|                        | SLEWING GEAR   | 3200199-ETL           | 79            |
|                        | SLEWING GEAR, REBUILDING                             | 3134400-ETL           | 83            |
|                        | MULTIPLE-DISK BRAKE                                  | 2315068-ETL           | 85            |

INHALTSVERZEICHNIS - NACHLAEUFERBETRIEB  
GROUP-CONTENTS DOLLY MODE

ERSATZTEILLISTE  
LIST OF SPARE PARTS

02.13

1/2

GMK 5095  
BE 759

| POS.<br>POS. | TEILE-NR.<br>PART-NO. | MENGE<br>QUANTITY | BENENNUNG | DESIGNATION |
|--------------|-----------------------|-------------------|-----------|-------------|
|--------------|-----------------------|-------------------|-----------|-------------|

|     |         |     |                        |                         |
|-----|---------|-----|------------------------|-------------------------|
| 001 | 3329682 | 1.0 | DRUCKBEGRENZUNGSVENTIL | PRESSURE LIMITING VALVE |
|-----|---------|-----|------------------------|-------------------------|

|                           |   |  |                      |   |
|---------------------------|---|--|----------------------|---|
| <b>GROVE</b> <sup>®</sup> | DRUCKBEGRENZUNGSVENTIL NACHLAEUFERBETRIEB<br>RELIEF VALVE TRAILER OPERATION | ERSATZTEILLISTE<br>LIST OF SPARE PARTS |                      | <b>GIMK 5095</b><br><b>BE 759</b><br><b>G 786</b> |
|                           |   | 209.08                                 | <b>3166121-ETL A</b> |   |

EINHEITSGETRIEBE KPL.  
STANDARD GEAR CPL.

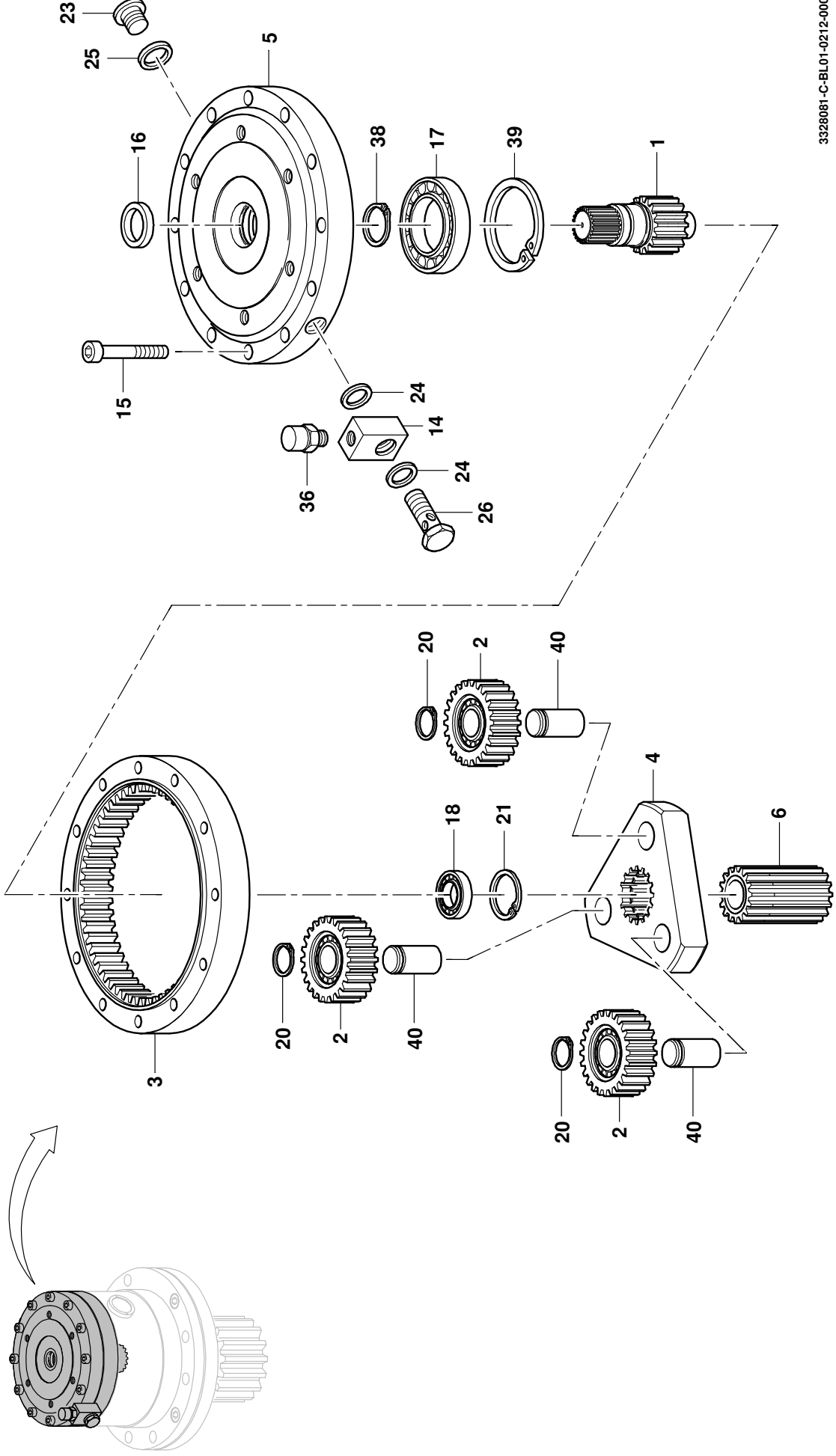
BILDTADEL  
PICTORIAL DISPLAY

02.12

1/1

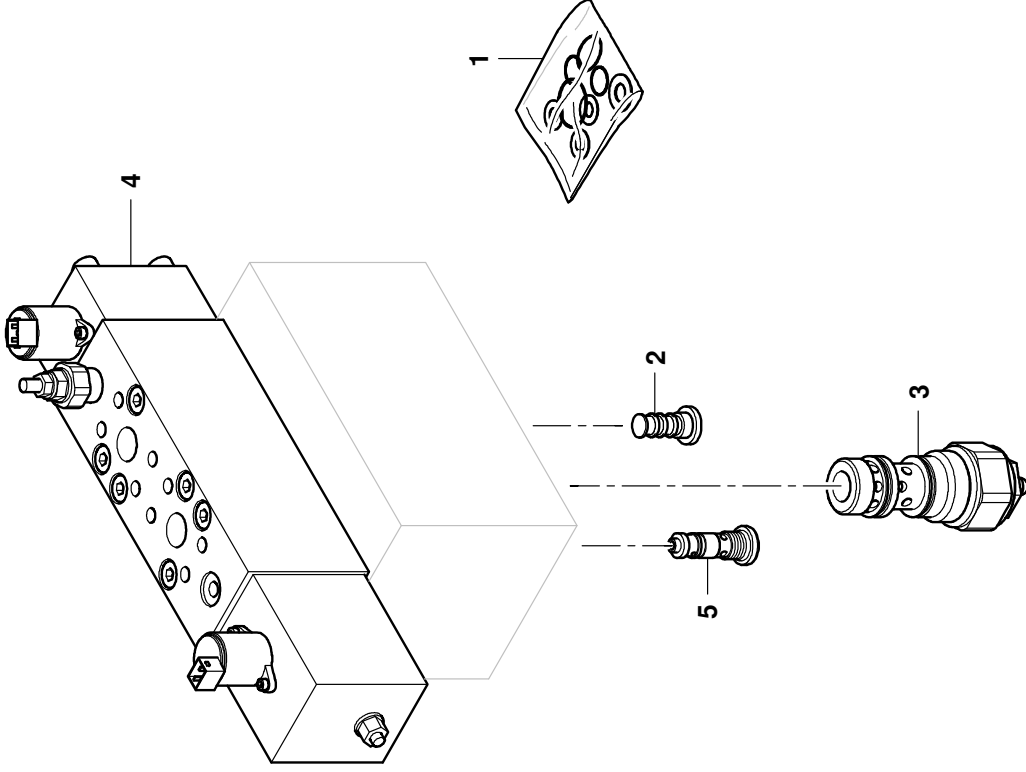
3328081-ETLC

GMK 5095  
BE 759  
G 786



| POS.<br>POS. | TEILE-NR.<br>PART-NO. | MENGE<br>QUANTITY | BENENNUNG             | DESIGNATION       |
|--------------|-----------------------|-------------------|-----------------------|-------------------|
| 001          | 3322896               | 1.0               | GETRIEBE-NOCKENGRUPPE | GEAR-TAPPET GROUP |
| 002          | 3324106               | 1.0               | ANTRIEBSGRUPPE        | DRIVE GROUP       |
| 003          | 3322897               | 1.0               | KONTAKTGRUPPE         | CONTACT GROUP     |
| 004          | 0550699               | 1.0               | O-RING, 135 X 4       | O-RING, 135 X 4   |
| 005          | 3324107               | 4.0               | O-RING, 5,3 X 2,4     | O-RING, 5,3 X 2,4 |
| 006          | 3043870               | 2.0               | O-RING, 18 X 2        | O-RING, 18 X 2    |
| 007          | 3135690               | 1.0               | HAUBE                 | HOOD              |
| 008          | 4155302               | 1.0               | IMPULSGEBER           | PULSE GENERATOR   |

|                           |                                 |     |  |                              |
|---------------------------|---------------------------------|-----|--|------------------------------|
| <b>GROVE</b> <sup>®</sup> | SENKENDSCHALTER<br>LIMIT SWITCH |     | ERSATZTEILLISTE<br>LIST OF SPARE PARTS<br><b>3057659-ETL C</b> | GIMK 5095<br>BE 770<br>G 000 |
|                           | 01.12                           | 1/1 |  |                              |



| POS.<br>POS. | TEILE-NR.<br>PART-NO. | MENGE<br>QUANTITY | BENENNUNG                     | DESIGNATION               |
|--------------|-----------------------|-------------------|-------------------------------|---------------------------|
| 001          | 3162854-ETL           | 1.0               | STANDHEIZUNG                  | AUXILIARY HEATING         |
| 004          | 3318746               | 1.0               | ROHR                          | PIPE                      |
| 005          | 1376505               | 2.0               | SCHLAUCHKLEMME                | HOSE CLAMP                |
| 006          | 3184548-ETL           | 1.0               | BATTERIEKISTE ZSB.            | BATTERY BOX, ASSY.        |
| 011          | 3010609               | 4.0               | GEWINDESTUECK                 | THREADED COUPLING         |
| 012          | 0027078               | 4.0               | SECHSKANTSCHRAUBE             | HEXAGON BOLT              |
| 013          | 1925033               | 10.0              | SCHEIBE                       | WASHER                    |
| 015          | 2210794               | 1.0               | SCHLAUCH                      | HOSE                      |
| 016          | 2312113               | 2.0               | SPIRALSCHLAUCH                | SPIRAL HOSE               |
| 017          | 2257310               | 2.0               | FORMSCHLAUCH                  | SHAPED HOSE               |
| 018          | 2250889               | 2.0               | SCHLAUCHLEITUNG               | HOSE                      |
| 019          | 3041816               | 1.0               | KUEHLWASSERLEITUNG            | COOLING WATER LINE        |
| 020          | 2217171               | 6.0               | SCHLAUCHSCHELLE               | HOSE CLAMP                |
| 022          | 2210494               | 1.0               | VERTEILER                     | DISTRIBUTOR               |
| 023          | 1370130-ETL           | 1.0               | DREIWEGEHAHN                  | THREE-WAY-COCK            |
| 024          | 1680462-ETL           | 1.0               | BOWDENZUG MIT KNOFF           | BOWDEN WIRE WITH KNOB     |
| 025          | 3157582               | 1.0               | HALTER                        | HOLDER                    |
| 026          | 1685204               | 1.0               | KLEMMSTUECK                   | CLAMP                     |
| 031          | 3057836               | 1.0               | HEIZUNG                       | HEATING SYSTEM            |
| 032          | 1923998               | 4.0               | SECHSKANTMUTTER               | HEXAGON NUT               |
| 033          | 1925033               | 4.0               | SCHEIBE                       | WASHER                    |
| 034          | 3319773               | 2.0               | HEIZLUFT EIN- UND AUSSTROEMER | HEATAIR IN- AND EXHAUSTER |
| 035          | 3320581               | 2.0               | HEIZLUFT KRUEMMER             | HOT AIR ELBOW             |
| 036          | 0552273               | 1.0               | KABELMUFFE                    | CABLE SLEEVE              |

|                           |   |  |  |   |
|---------------------------|---|--|--|---|
| <b>GROVE</b> <sup>®</sup> | MOTORVORWAERMUNG UW<br>PREHEATING ENGINE UW |  | ERSATZTEILLISTE<br>LIST OF SPARE PARTS | <b>GIMK 5095</b><br><b>BE 780</b><br><b>G 000</b> |
|                           |   |  | 04.11                                  | 1/3   |
|                           |   |  | <b>3157575-ETL C</b>                   |   |

CLICK HERE TO **DOWNLOAD** THE COMPLETE MANUAL

- Thank you very much for reading the preview of the manual.
- You can download the complete manual from: [www.heydownloads.com](http://www.heydownloads.com) by clicking the link below



- Please note: If there is no response to CLICKING the link, please download this PDF first and then click on it.

CLICK HERE TO **DOWNLOAD** THE COMPLETE MANUAL