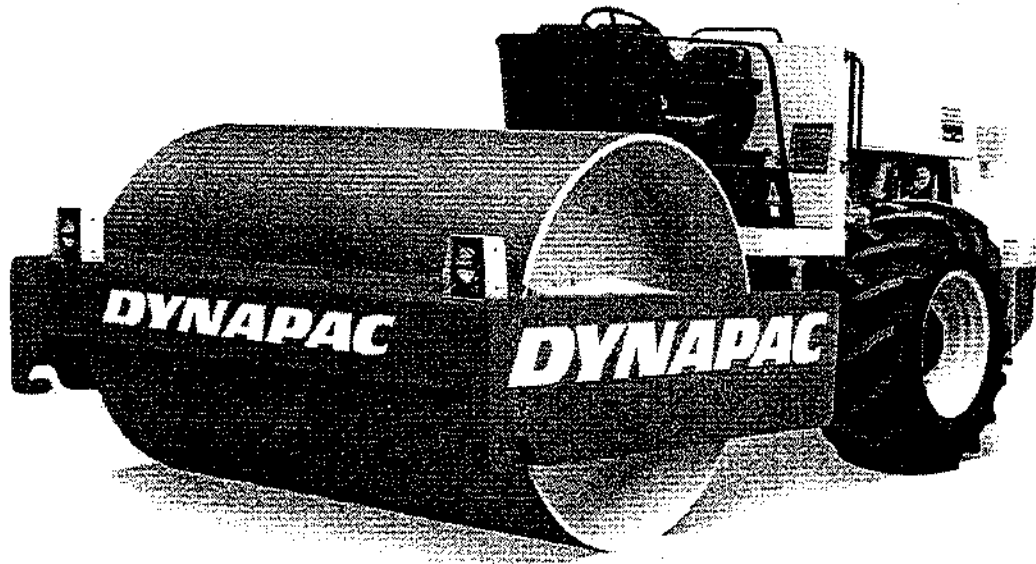


# SPARE PARTS CATALOGUE

CUMMINS 6BT5.9 DIESEL ENGINE

## Spare Parts CA 25 II

VIBRATORY  
ROLLER



CÓD. 195.907

We reserve the right to change specifications without notice.  
Printed in Brazil

**DYNAPAC®**  
SVEDALA DYNAPAC LTDA.

Estrada Municipal, 430 Sorocaba SP Brasil

Tel.: + 55 152 25.1677

Fax: + 55 152 25.2714

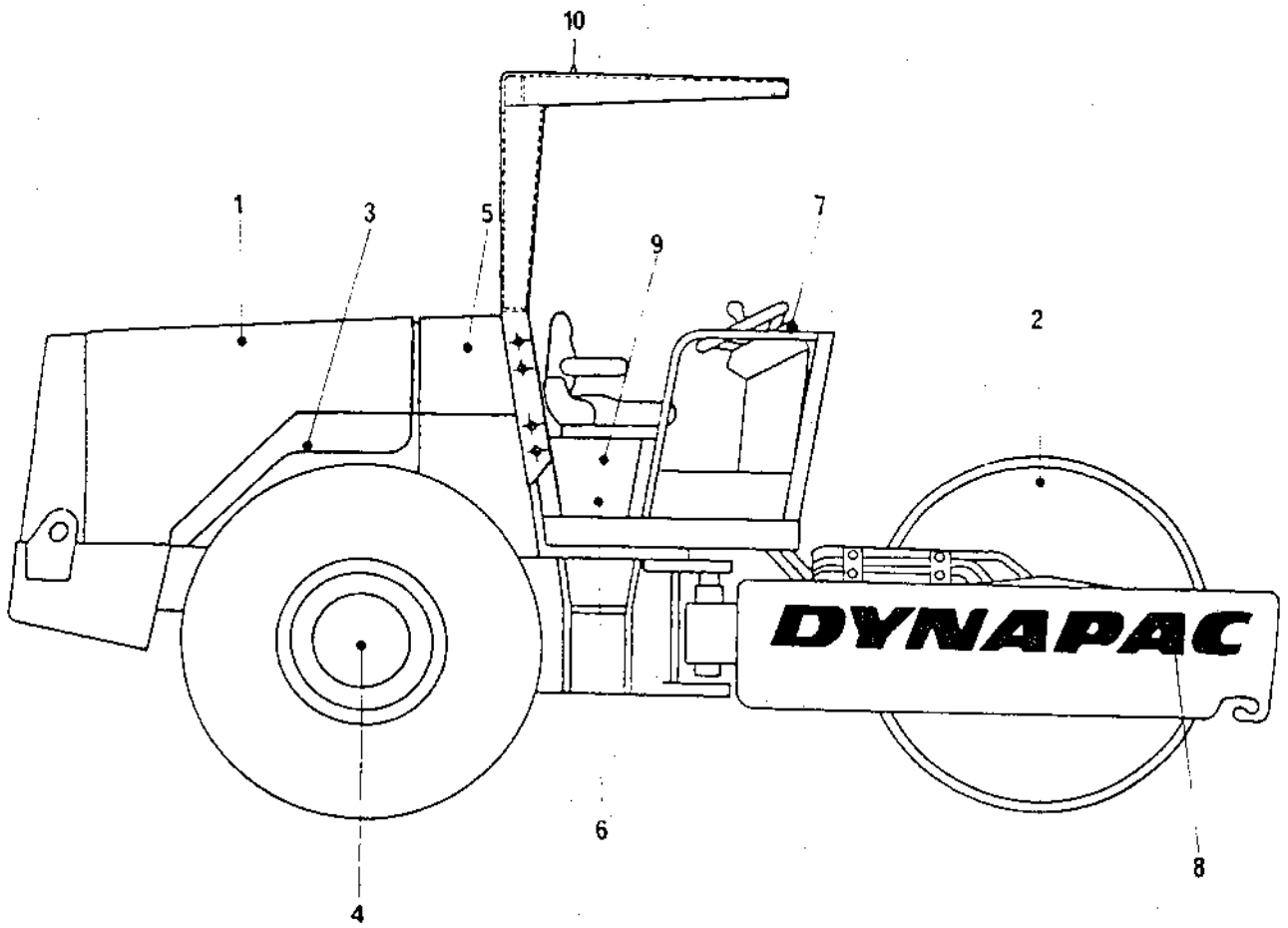
CLICK HERE TO **DOWNLOAD** THE COMPLETE MANUAL

- Thank you very much for reading the preview of the manual.
- You can download the complete manual from: [www.heydownloads.com](http://www.heydownloads.com) by clicking the link below



- Please note: If there is no response to CLICKING the link, please download this PDF first and then click on it.

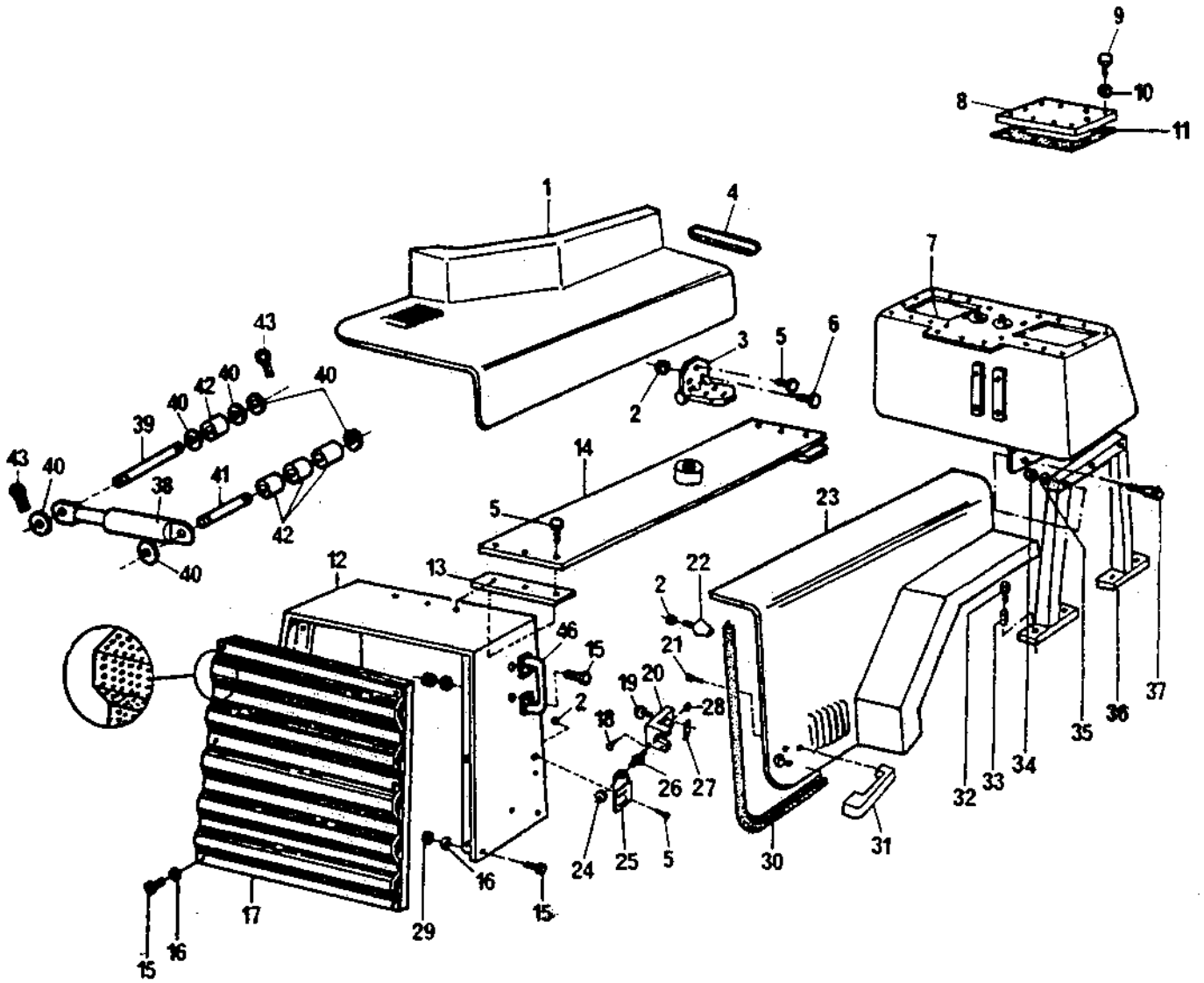
CLICK HERE TO **DOWNLOAD** THE COMPLETE MANUAL



CA25 - DCO1853 - I

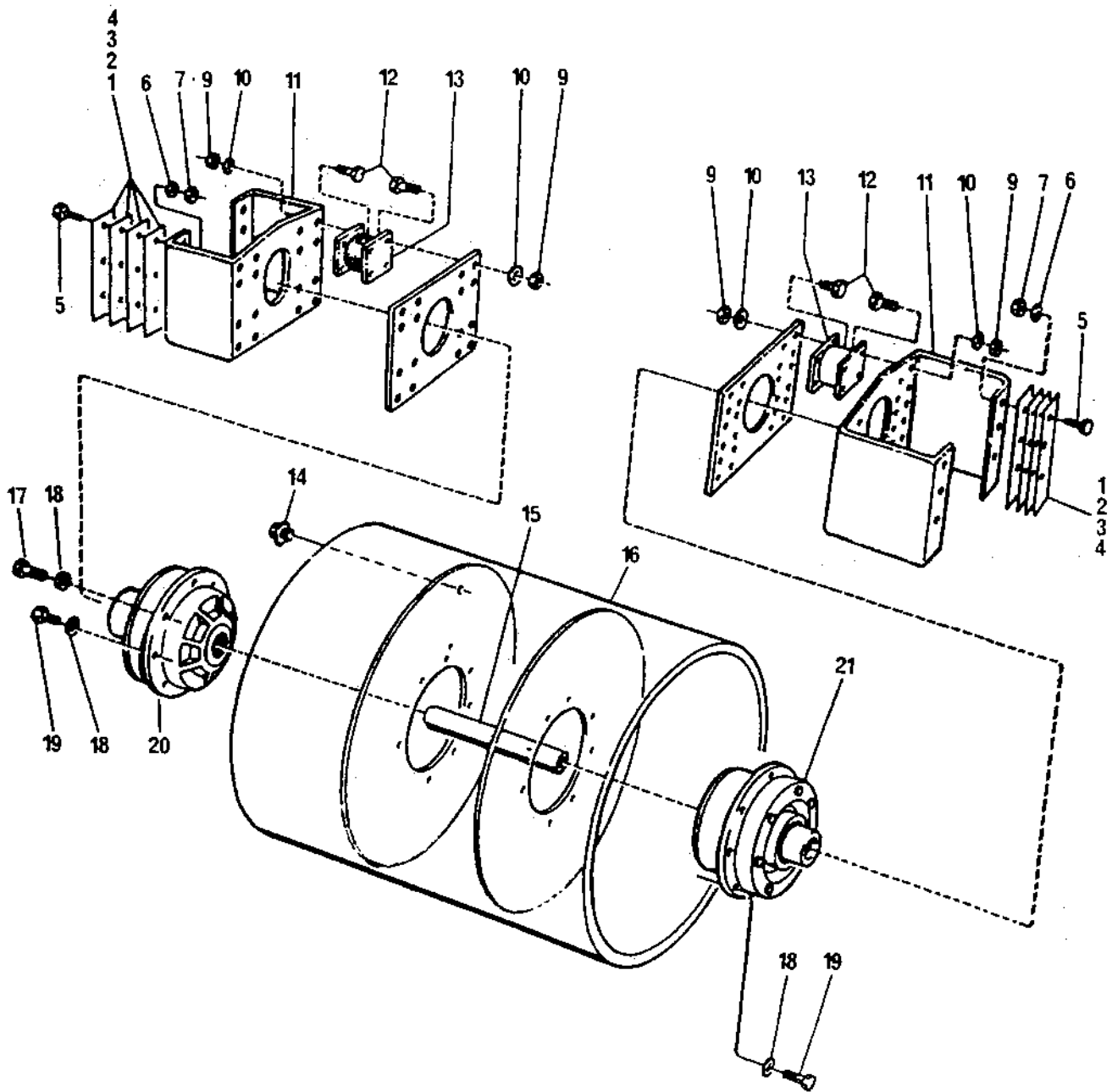
Group  
Grupo  
Groupe  
Grupo

# 1



CA25 - DCO1359 - 3

8

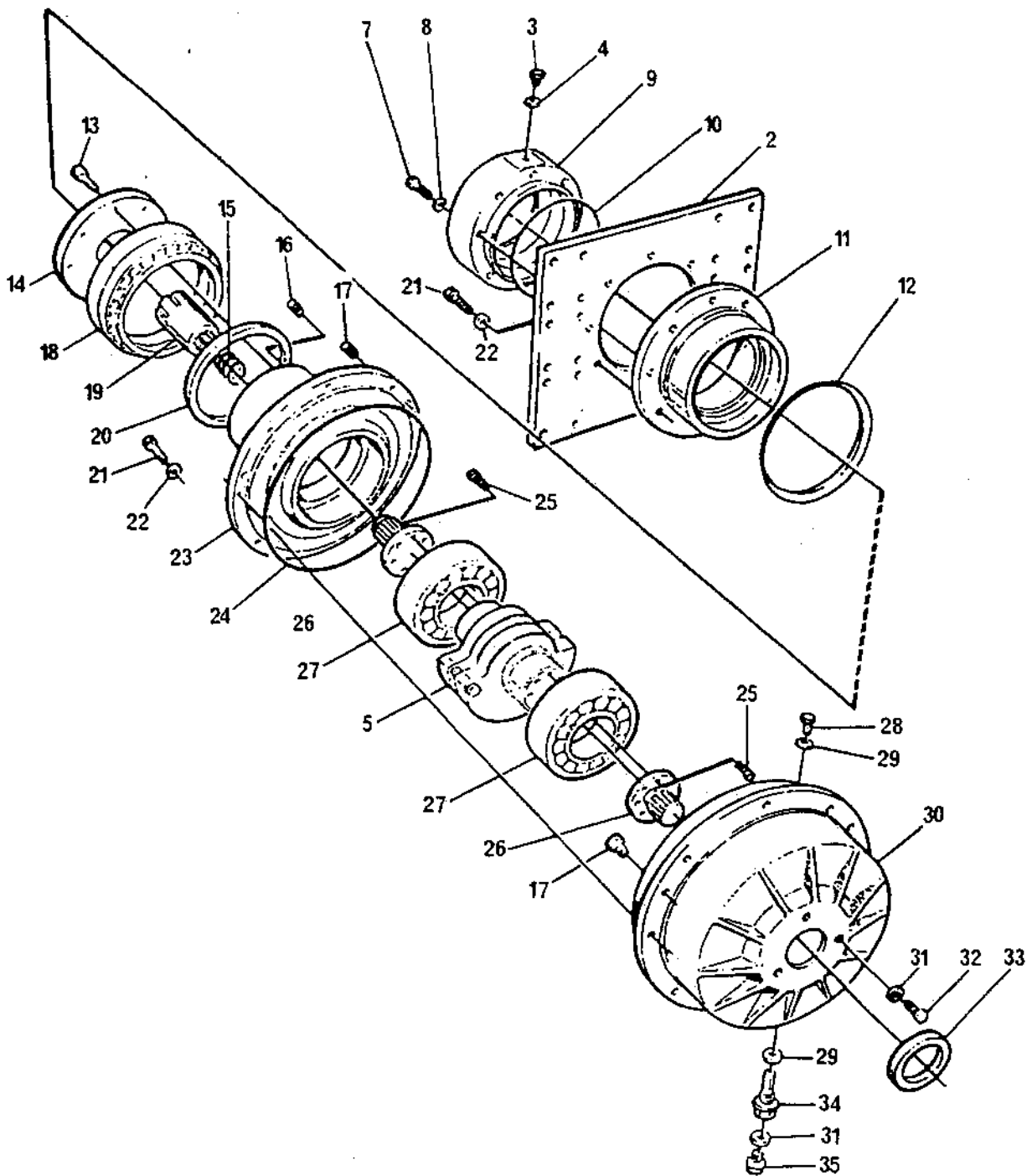


194460- 194613

CA25-DC01842-1

1

6

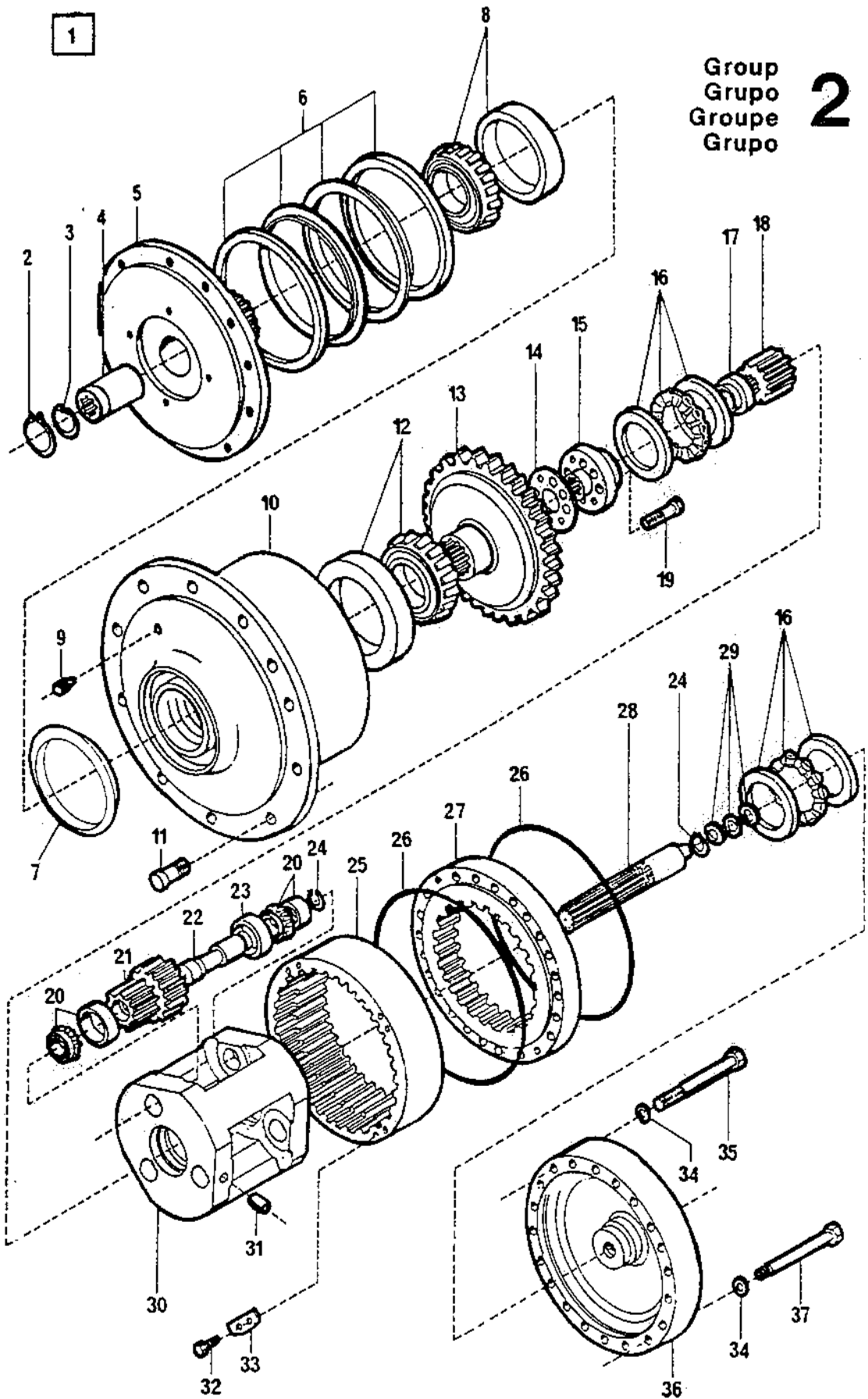


371652 - 371649 - 371648

CA25-DCO1844-1

1

Group  
Grupo  
Grupo  
Grupo  
2

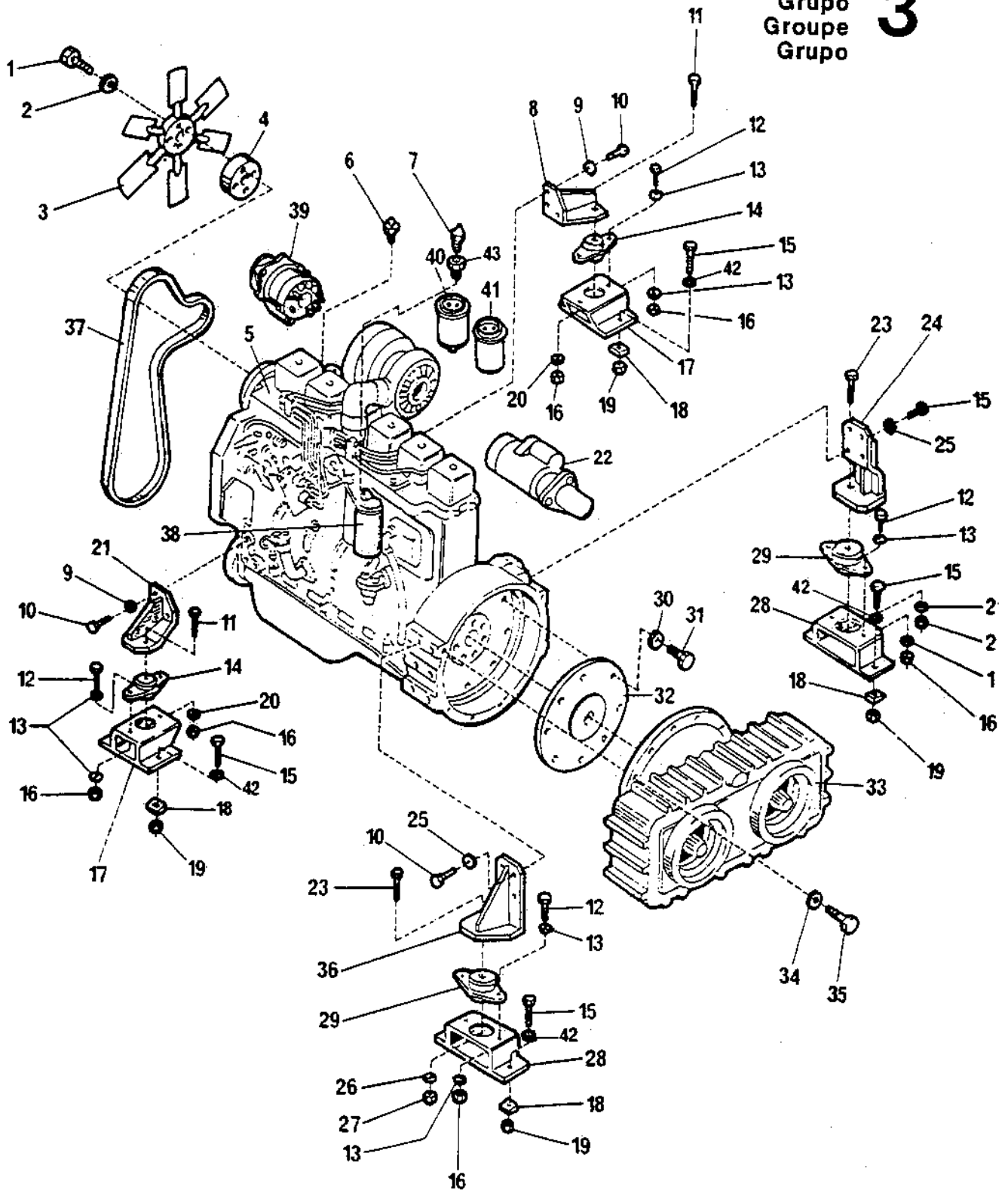


258254-PCL1430

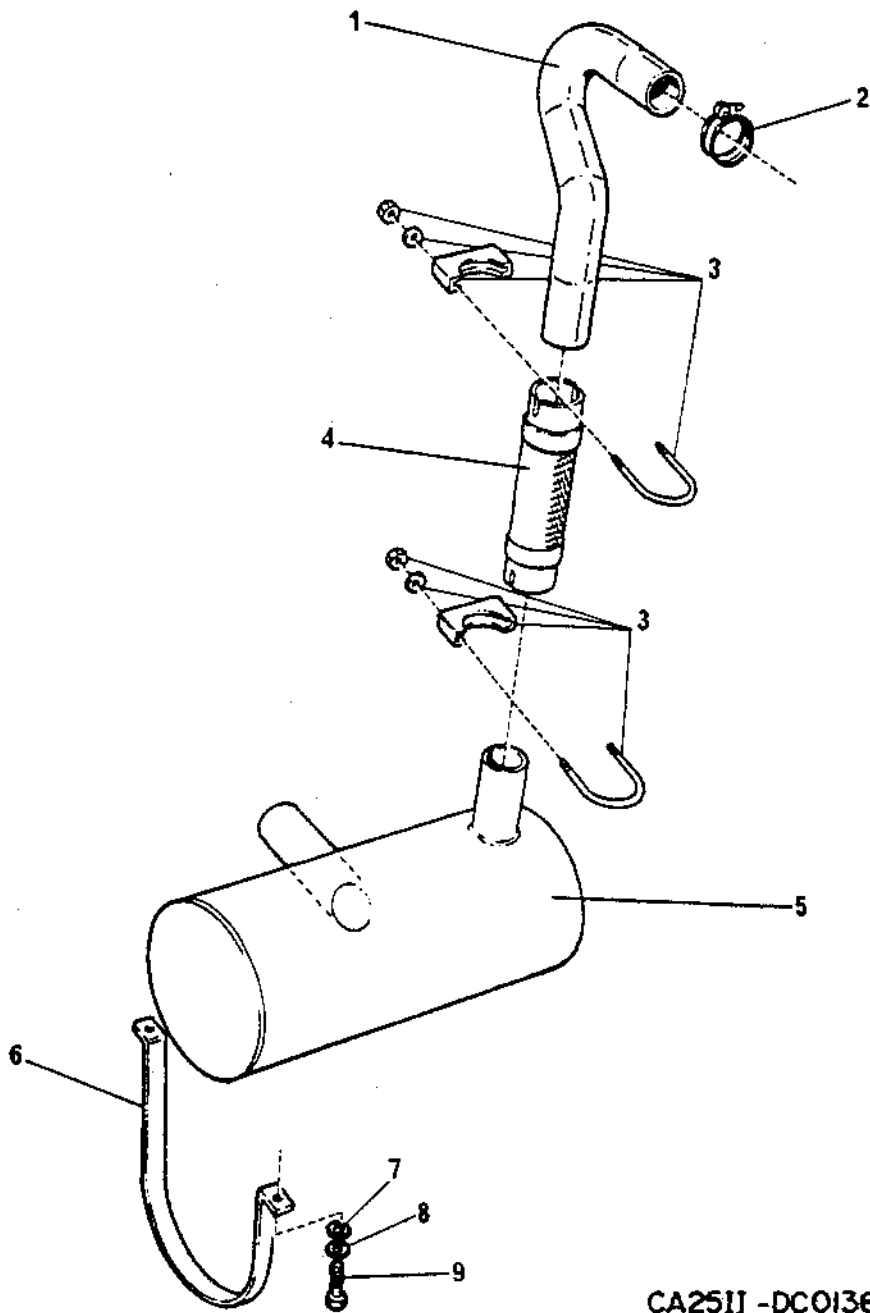
CA25-DC00150-IA

Group  
Grupo  
Groupe  
Grupo

3



CA 25 II - DC01502-IA



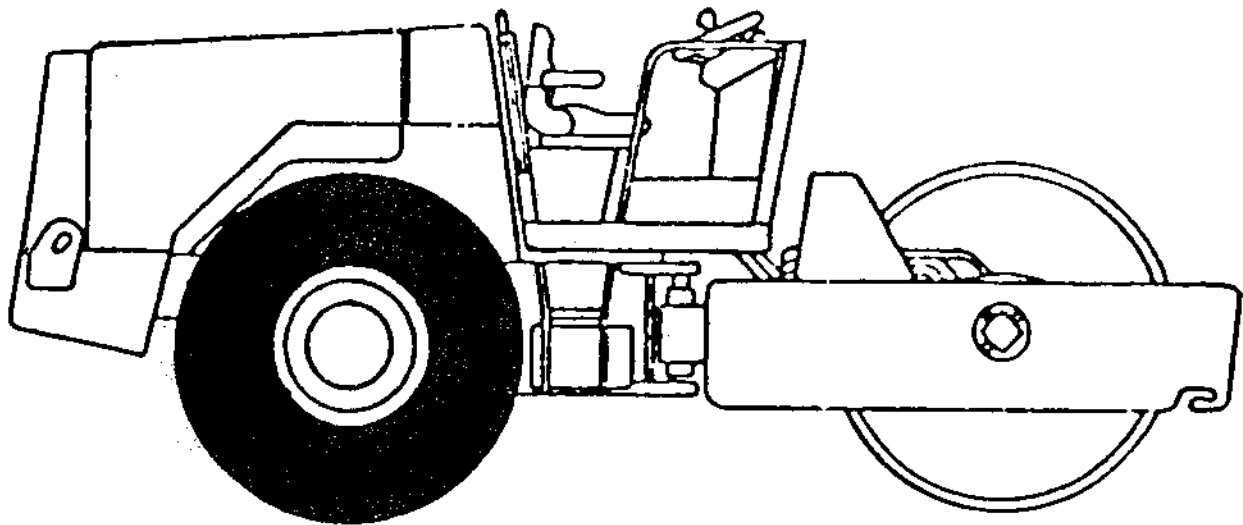
CA25II -DCO1367-1

**DYNAPAC®**

TRANSMISSION  
TRANSMISSÃO  
TRANSMISSION  
TRANSMISIÓN

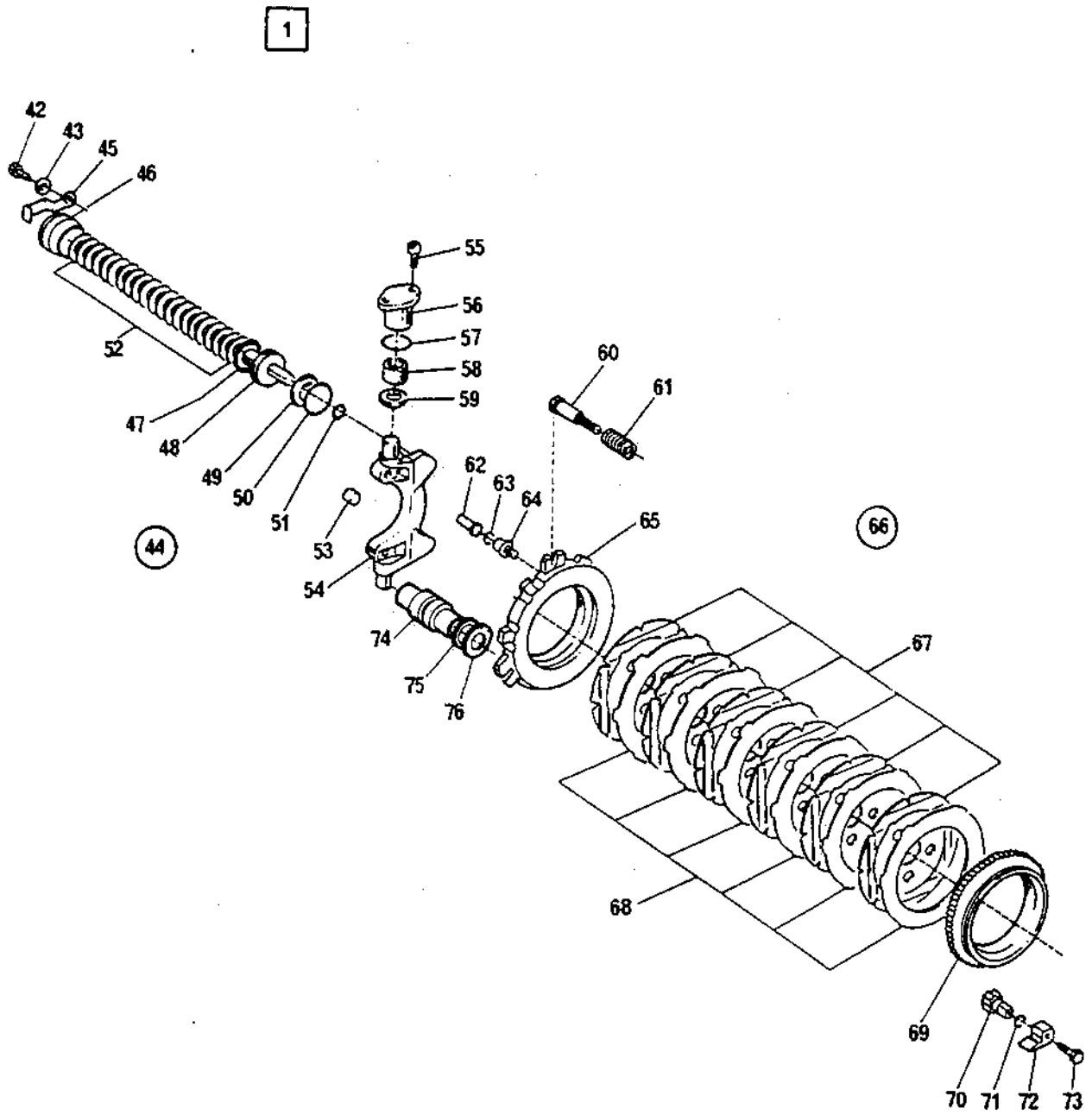
Group  
Grupo  
Groupe  
Grupo

**4**



Group  
Grupo  
Groupe  
Grupo

4



355500

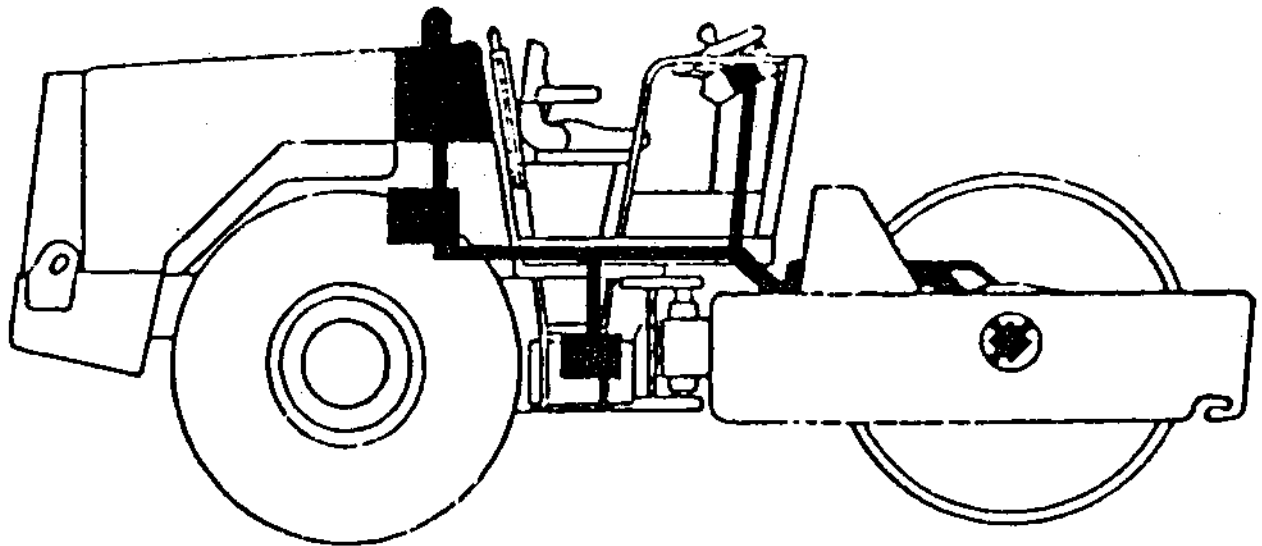
CA25-DC01469-2

# **DYNAPAC®**

HYDRAULIC EQUIPMENTS  
EQUIPAMENTOS HIDRÁULICOS  
EQUIPEMENT HYDRAULIQUE  
EQUIPO HIDRÁULICO

Group  
Grupo  
Groupe  
Grupo

**5**



CLICK HERE TO **DOWNLOAD** THE COMPLETE MANUAL

- Thank you very much for reading the preview of the manual.
- You can download the complete manual from: [www.heydownloads.com](http://www.heydownloads.com) by clicking the link below

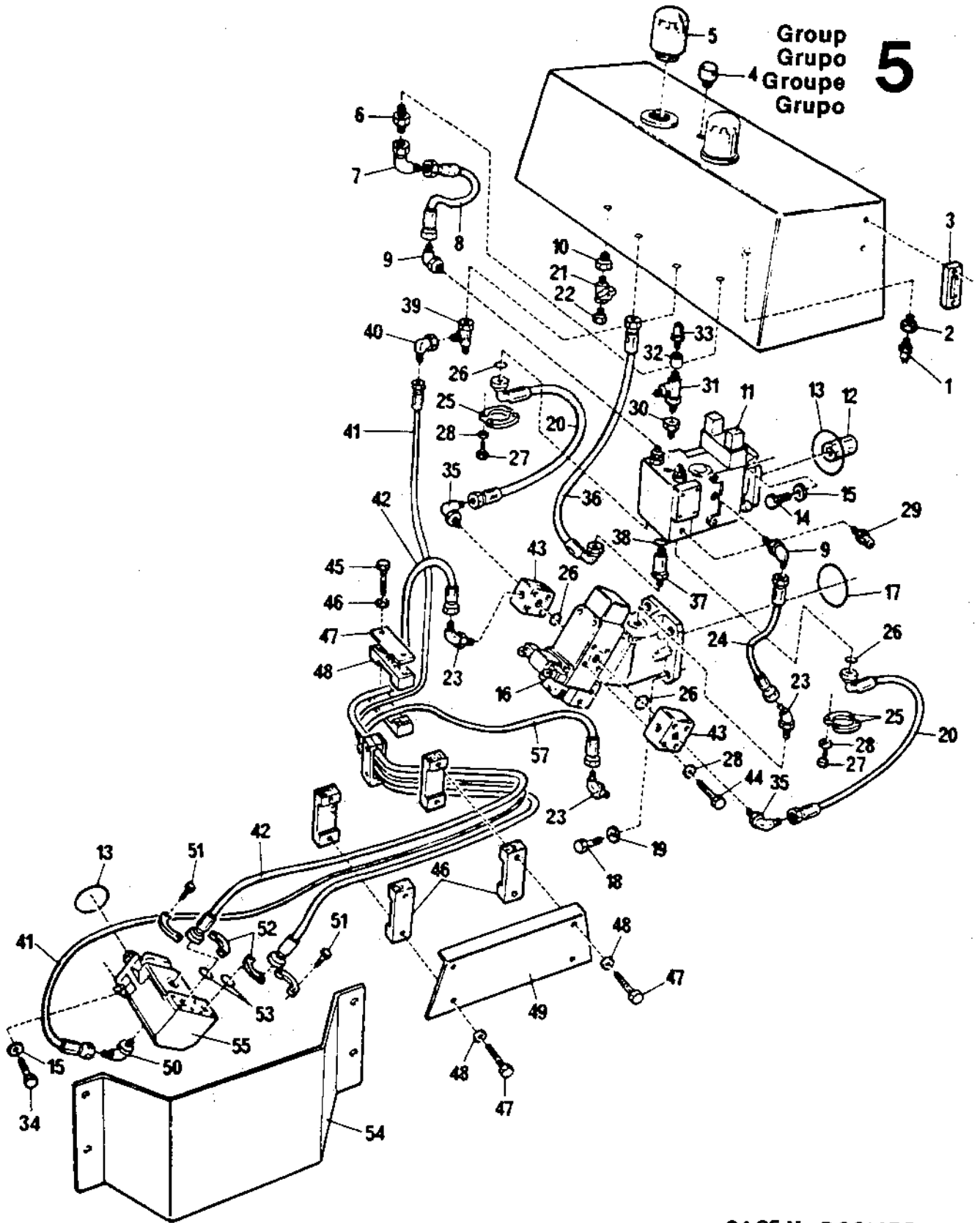


- Please note: If there is no response to CLICKING the link, please download this PDF first and then click on it.

CLICK HERE TO **DOWNLOAD** THE COMPLETE MANUAL

Group  
Grupo  
Groupe  
Grupo

5

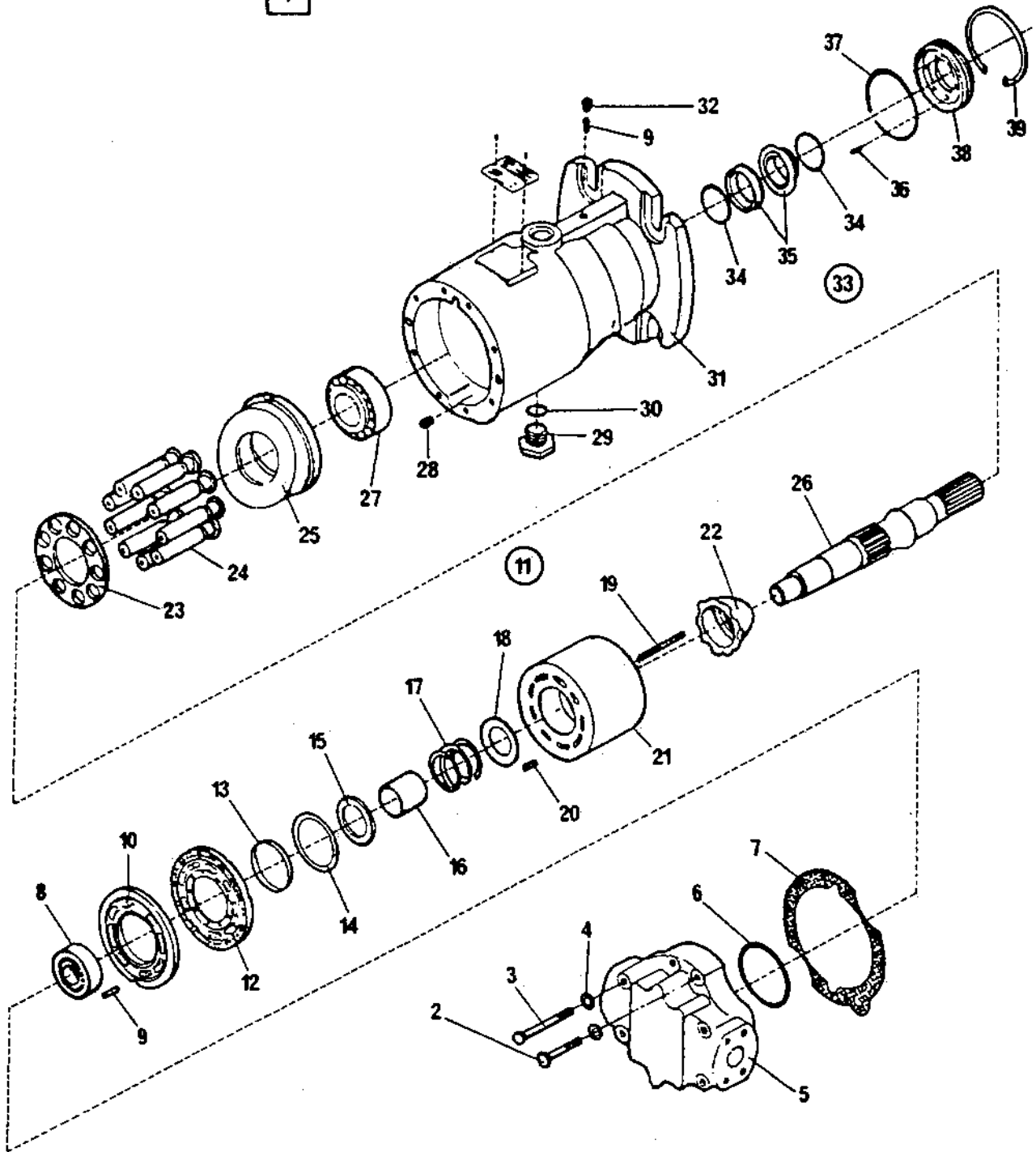


CA25II - DC01475-2

Group  
Grupo  
Groupe  
Grupo

5

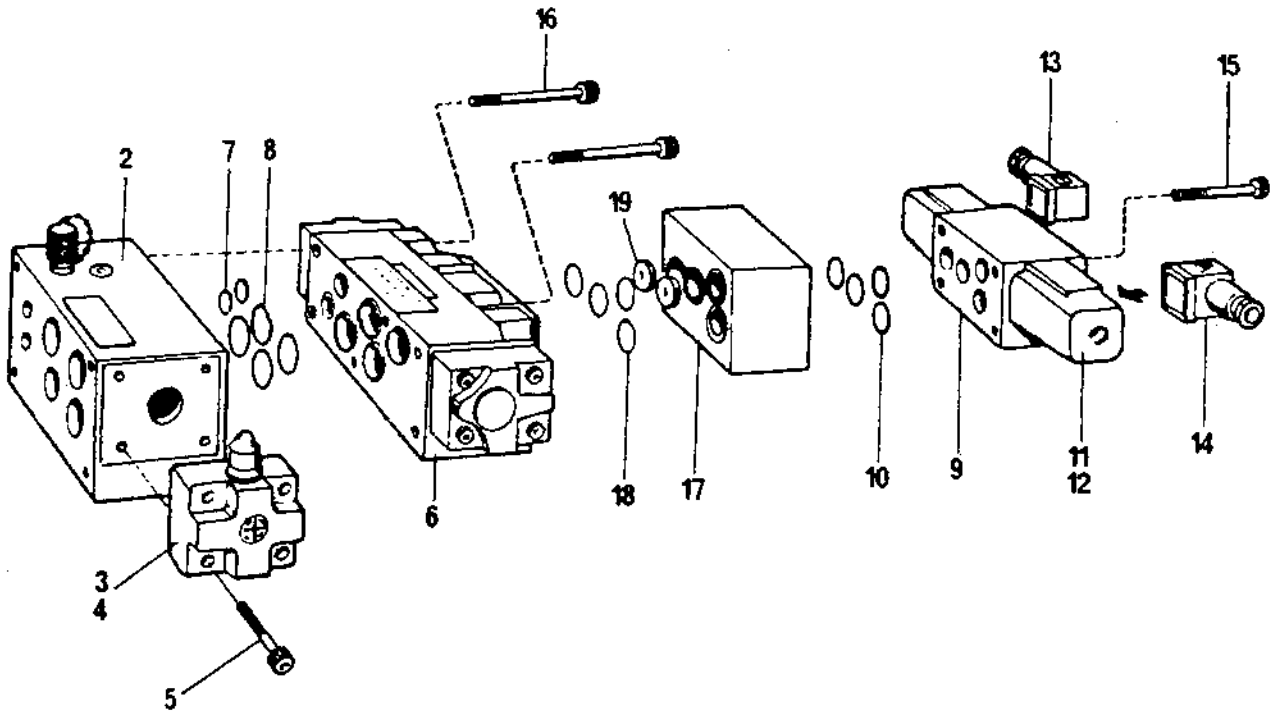
1



801144

CA25 - DC00179-2

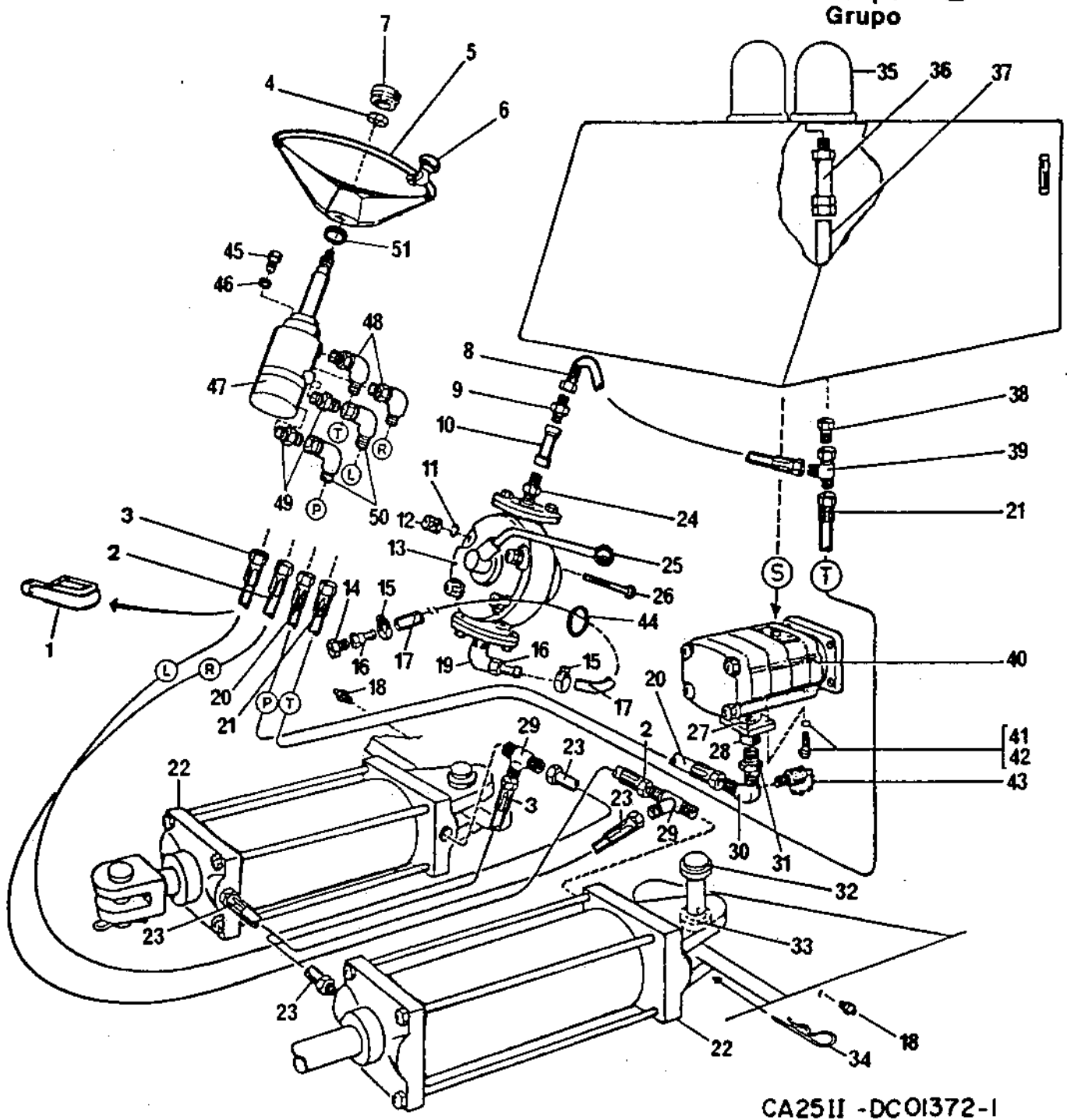
1



347160

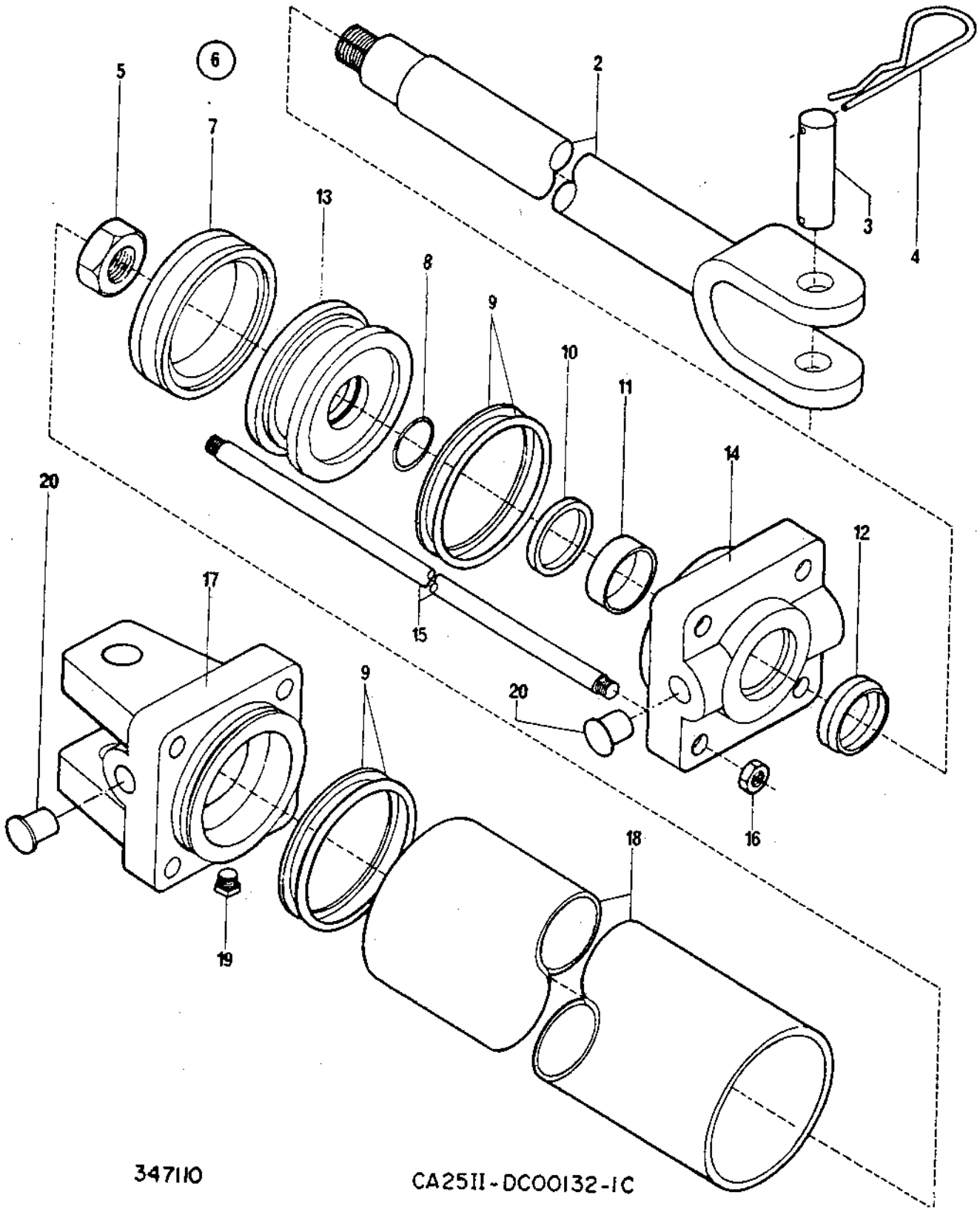
CA2511 -DC00186-1

Group  
 Grupo  
 Groupe  
 Grupo **5**



CA25II -DCOI372-I

1

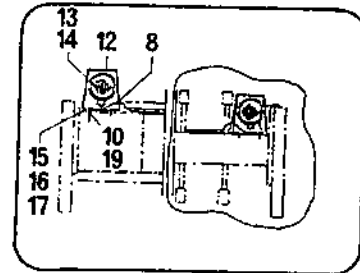
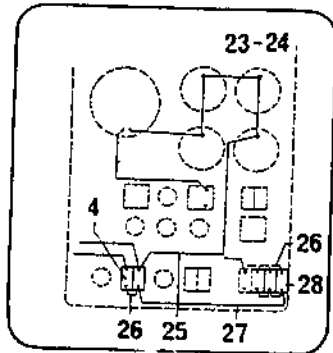
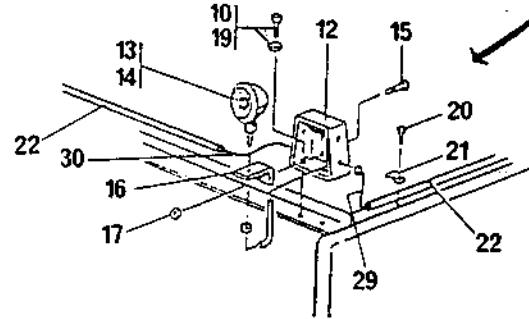
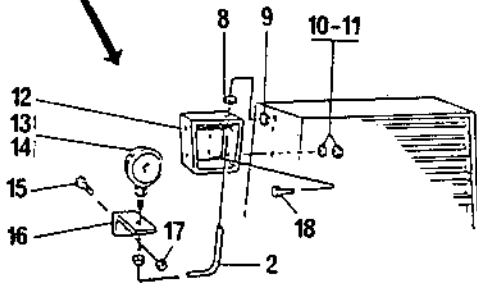
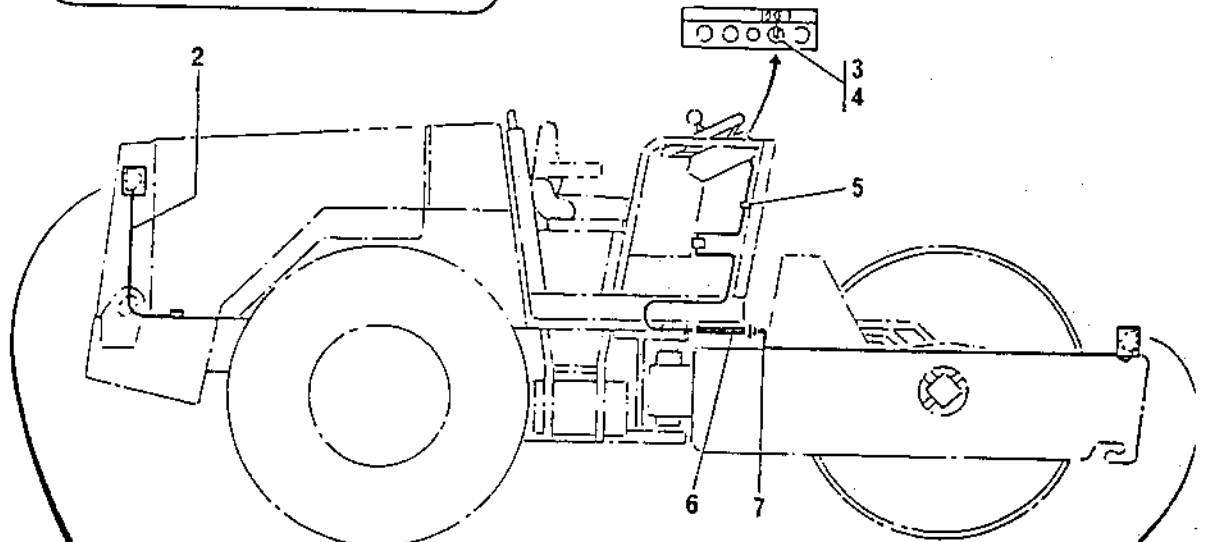
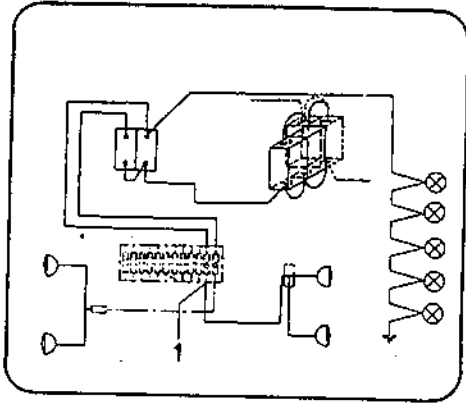


347110

CA25II-DC00132-1C

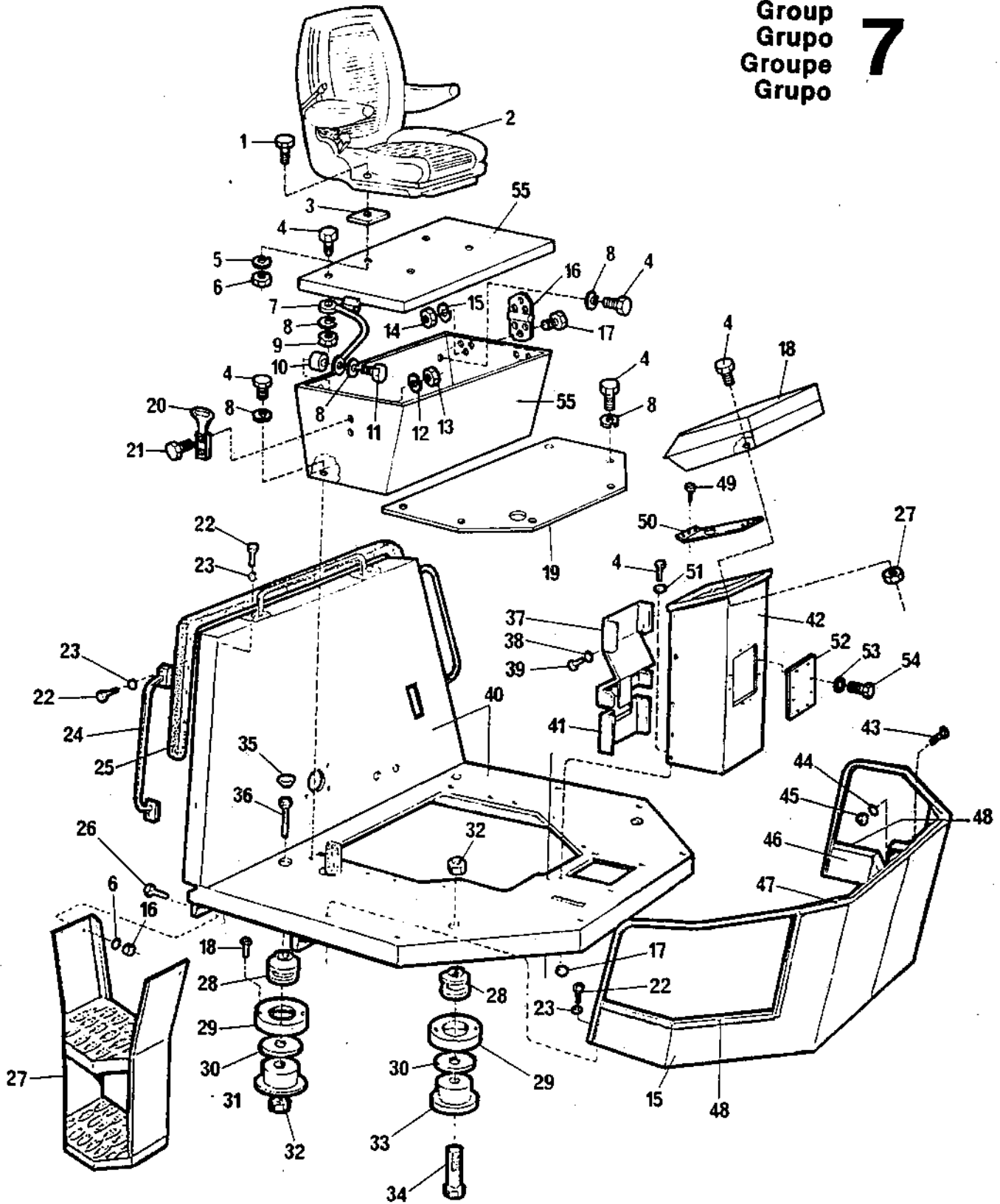


Group  
 Grupo  
 Groupe  
 Grupo **6**



CA25II-DC00202-2

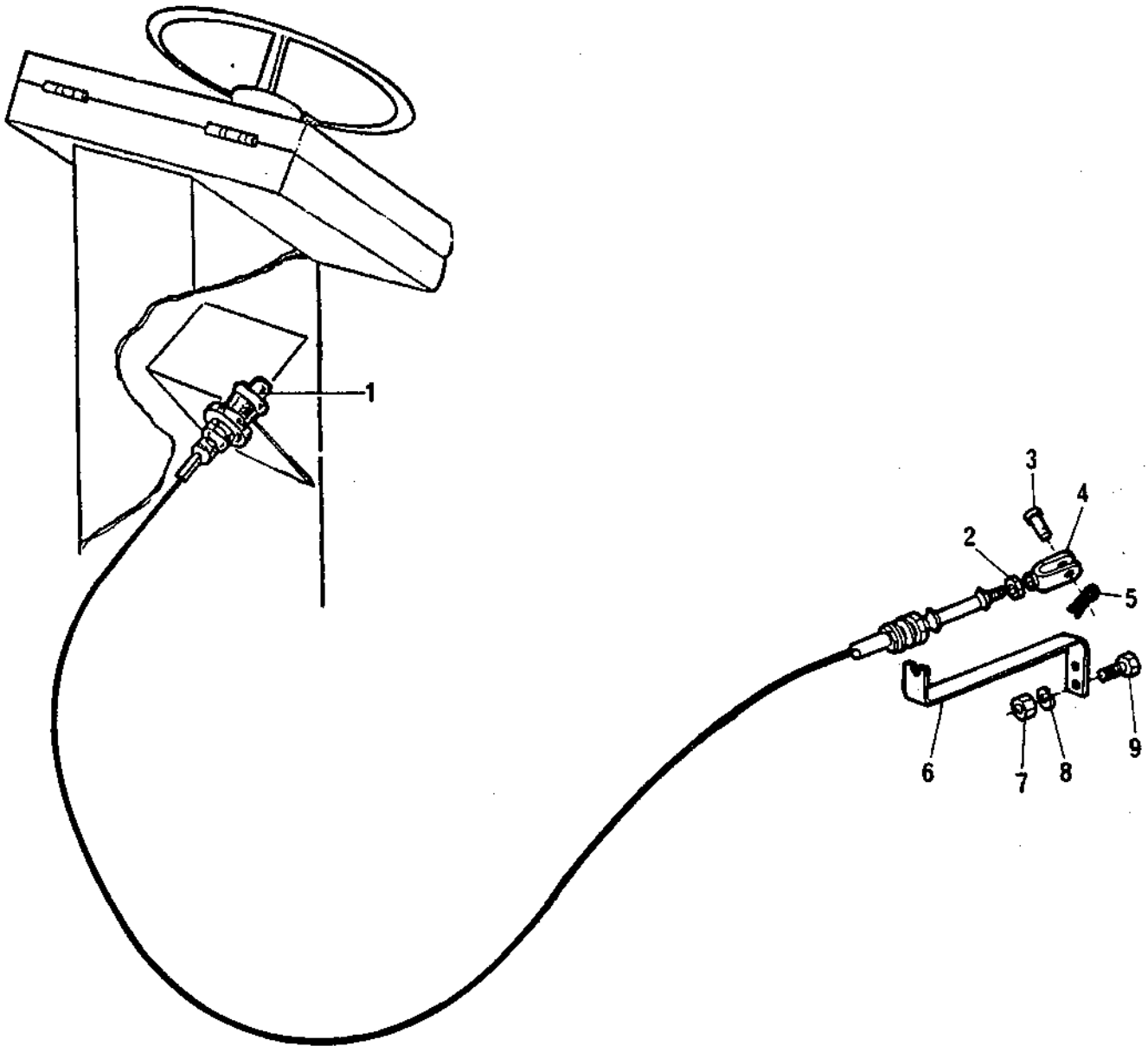
Group  
Grupo 7  
Groupe  
Grupo



CA25 - DC00196 - 5

Group  
Grupo  
Groupe  
Grupo

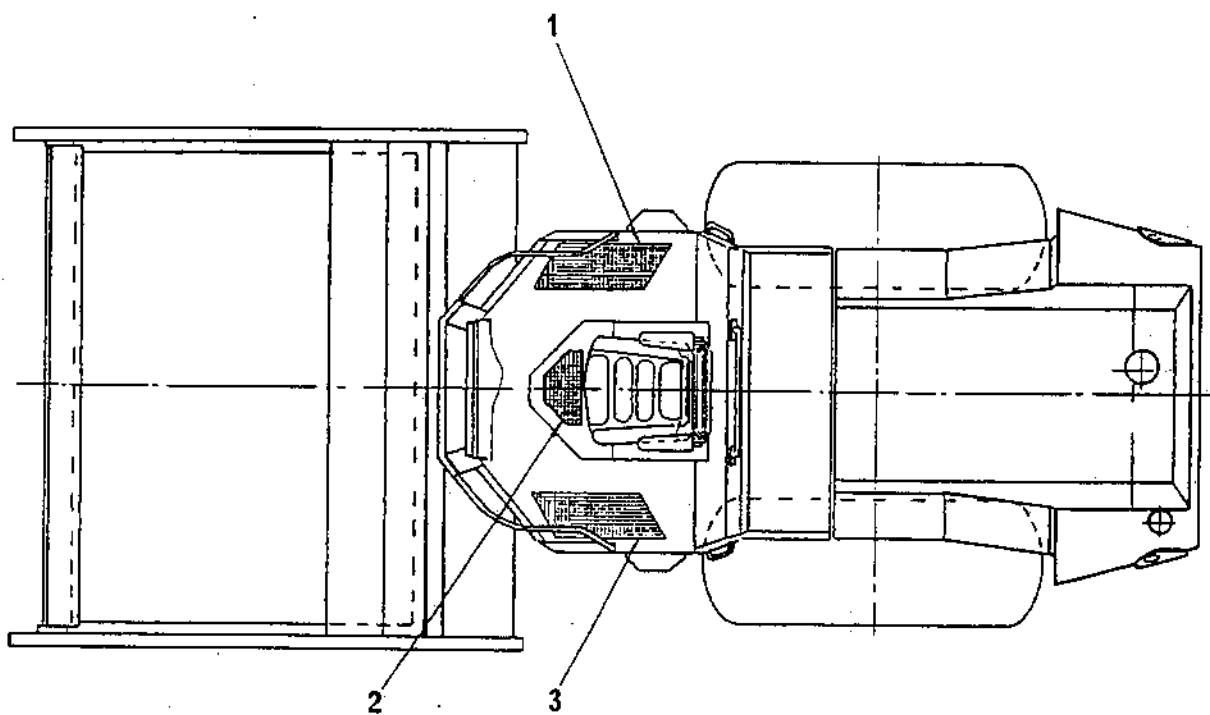
7



CA25 - DCOI376-2

Group  
Grupo  
Groupe  
Grupo

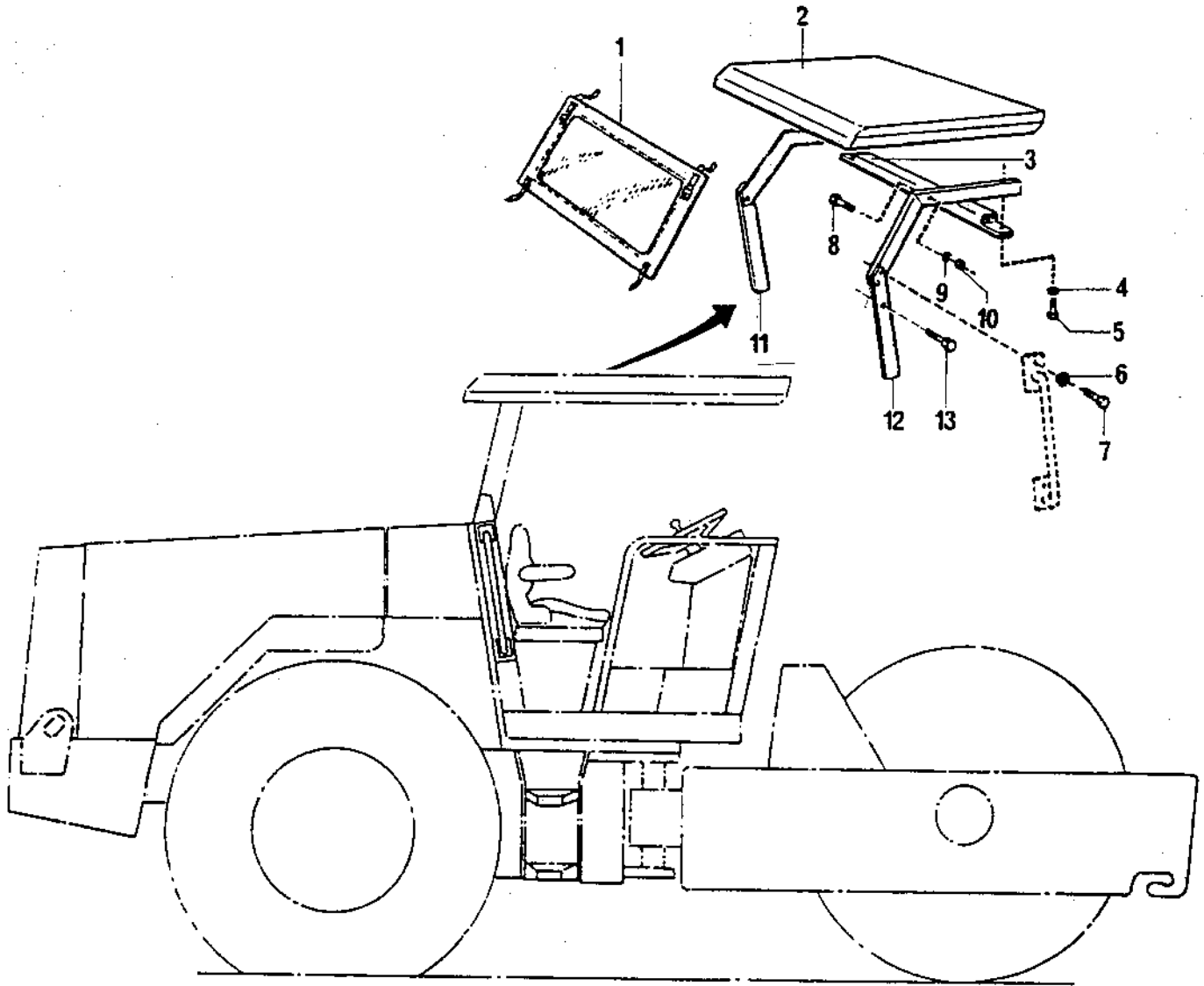
9



CA25 -DCO0516-1

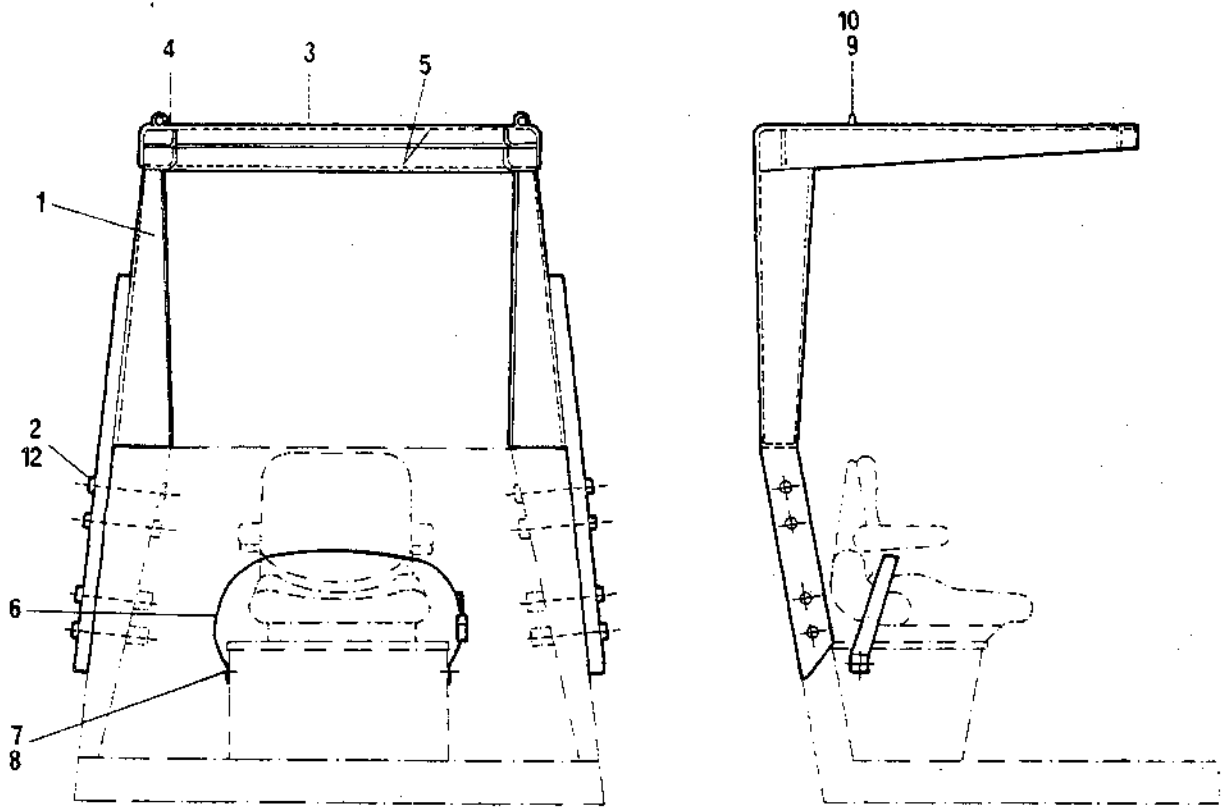
Group  
Grupo  
Groupe  
Grupo

# 10



266844

CA25 -DC00204-I



CA25-DCO1848-1

CLICK HERE TO **DOWNLOAD** THE COMPLETE MANUAL

- Thank you very much for reading the preview of the manual.
- You can download the complete manual from: [www.heydownloads.com](http://www.heydownloads.com) by clicking the link below



- Please note: If there is no response to CLICKING the link, please download this PDF first and then click on it.

CLICK HERE TO **DOWNLOAD** THE COMPLETE MANUAL