

**DEUTZ  
FAHR**

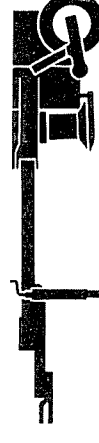
**Ersatzteilliste  
Kreiselmäher**

**Spare Parts List  
Turbo Mower**

**Liste de Pièces de Rechange  
Fauçonneuse à tambours rotatifs**

**Lista de Piezas de Recambio  
Guadañadora a tambores rotativos**

**KM 2.33 S/TC**



0295 3114  
04.91

ab Masch. Nr. 6445-101  
from Mach. Nr. 6445-101  
à partir de Mach. No. 6445-101  
a partir de Máquina No. 6445-101

CLICK HERE TO **DOWNLOAD** THE COMPLETE MANUAL

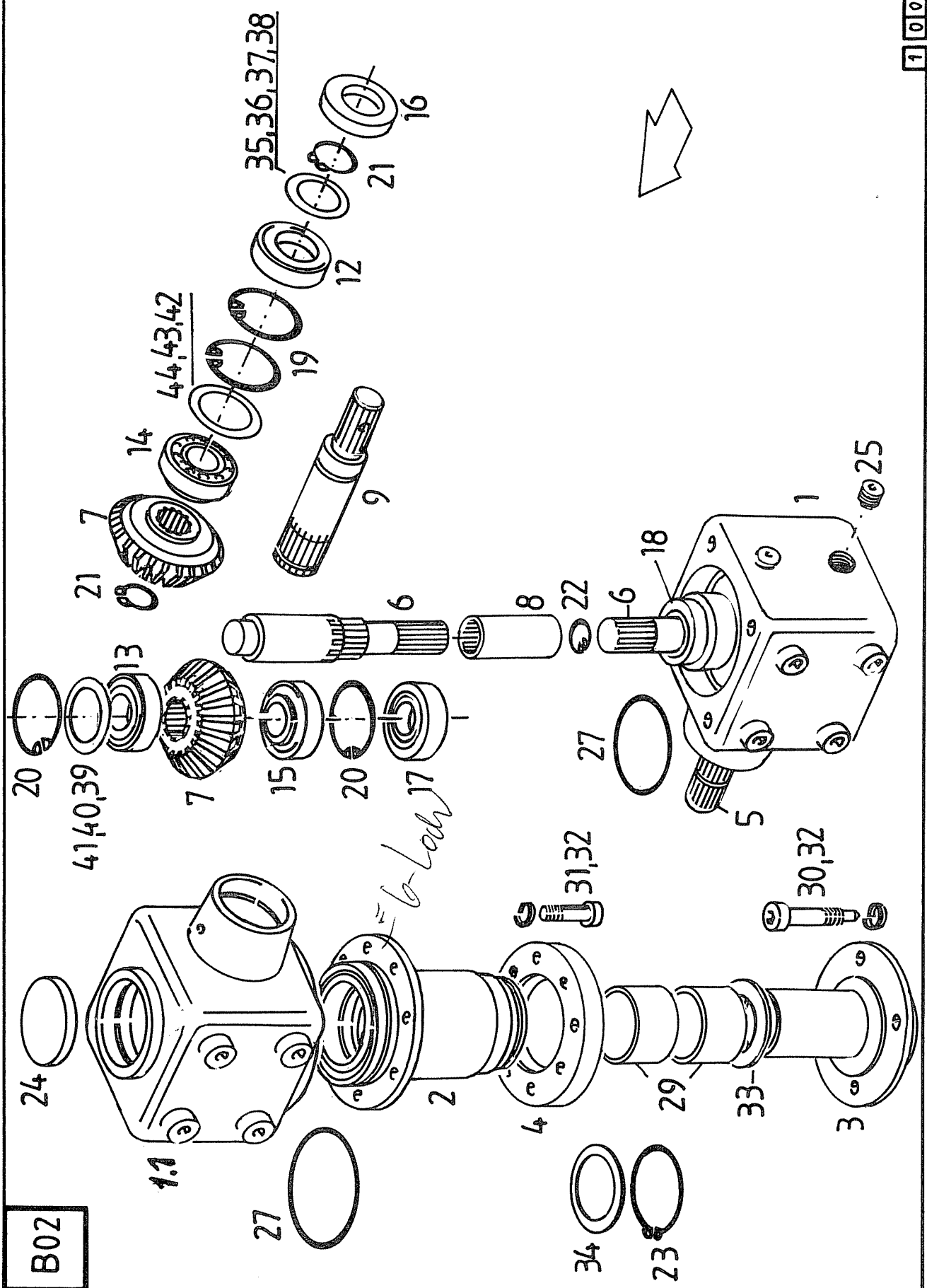
- Thank you very much for reading the preview of the manual.
- You can download the complete manual from: [www.heydownloads.com](http://www.heydownloads.com) by clicking the link below



- Please note: If there is no response to CLICKING the link, please download this PDF first and then click on it.

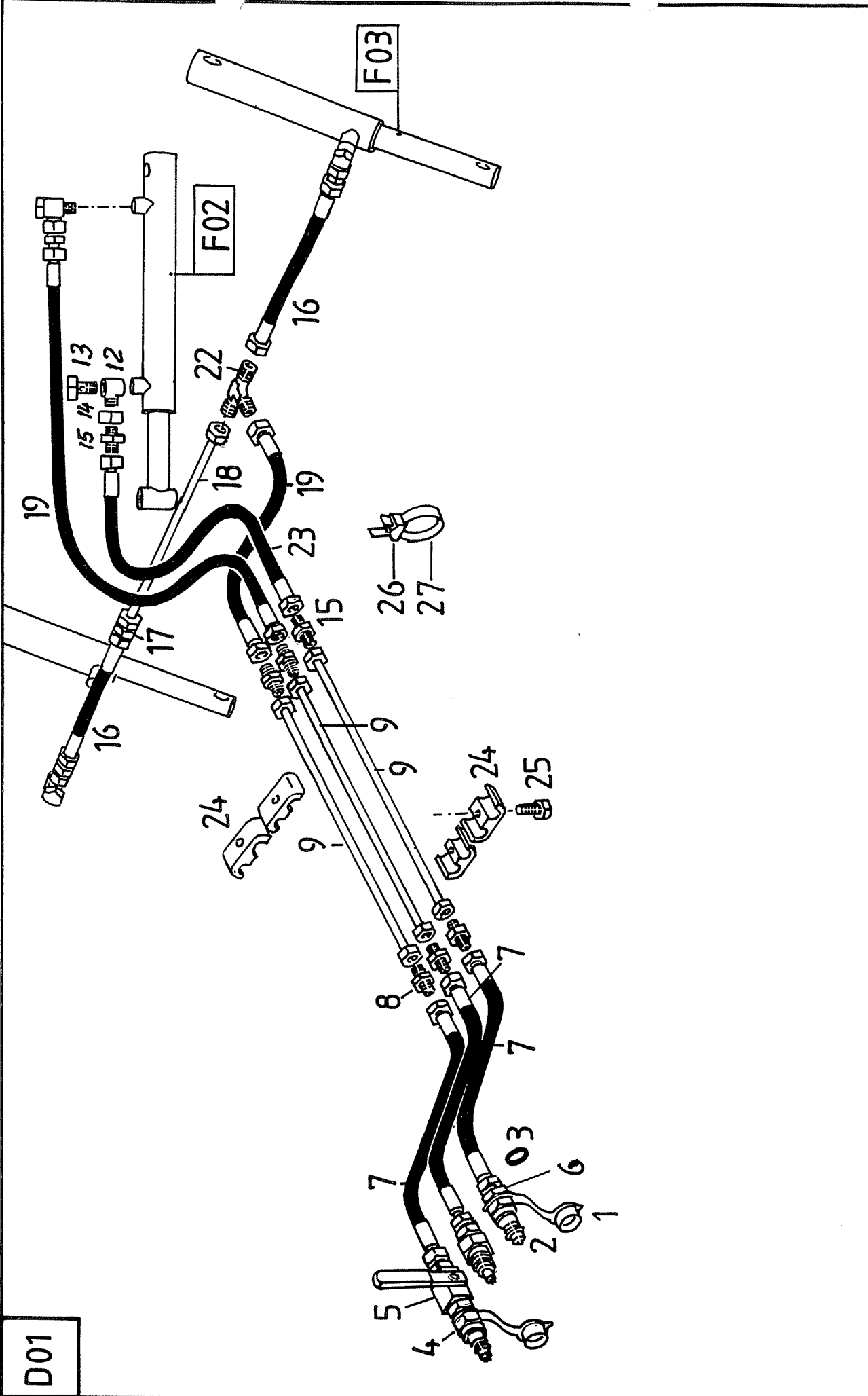
CLICK HERE TO **DOWNLOAD** THE COMPLETE MANUAL

B02



1	1650 3655	1	GEL.WELLE DEICHSEL 1	JOINT SHAFT	ARBRE A CARDAN	EJE ARTICULADO	B 01
4	0656 6748	1	A-SCHUTZHAELFTE L-750	PROTECTION HALF	MOITIE DE PROTECTION	MITAD DE PROTECCION	
5	0656 6752	1	I-SCHUTZHAELFTE L-750	PROTECTION HALF	MOITIE DE PROTECTION	MITAD DE PROTECCION	
11	1650 4937	1	NABENGABEL	FORK	CHAPE	MORQUILLA	
21	0658 2182	1	KREUZGARNITUR KPL.	JOINT CROSS	CROISSILLON	CRUCETA	
22	1650 4065	1	KEGEL-SCHMIERNIPPEL	GREASE NIPPLE	GRAISSEUR	ENGRASADOR	
23	0658 2181	1	RILLENGABEL	FORK	FOURCHE	HORQUILLA	
24	0115 7385	1	SP.STIFT 10 X 80A4C	DOWEL PIN	GOUPILLE SERRAGE	PERNO FIADOR	
25	1650 4938	1	PROFILROHR	PROFILE TUBE	TUBE PROFILE	TUBO PERFILADO	
26	1650 4939	1	I-ZWISCHENWELLENHAELF.	INTERMEDIATE SHAFT	ARBRE INTERM.	EJE INTERMEDIO	
51	0657 3100	1	SCHUTZRING	PROTECTIVE RING	ANNEAU DE GARDE	ANILLO PROTECCION	
53	0658 1954	2	GLEITRING	RING	BAGUE	ANILLO	
54	1650 4940	1	SCHUTZTRICHTER	GUARD	TOLE DE PROTECTION	CHAPA DE PROTECC.	
55	1650 4077	1	HALTEKETTE	CHAIN	CHAINE	CADENA	

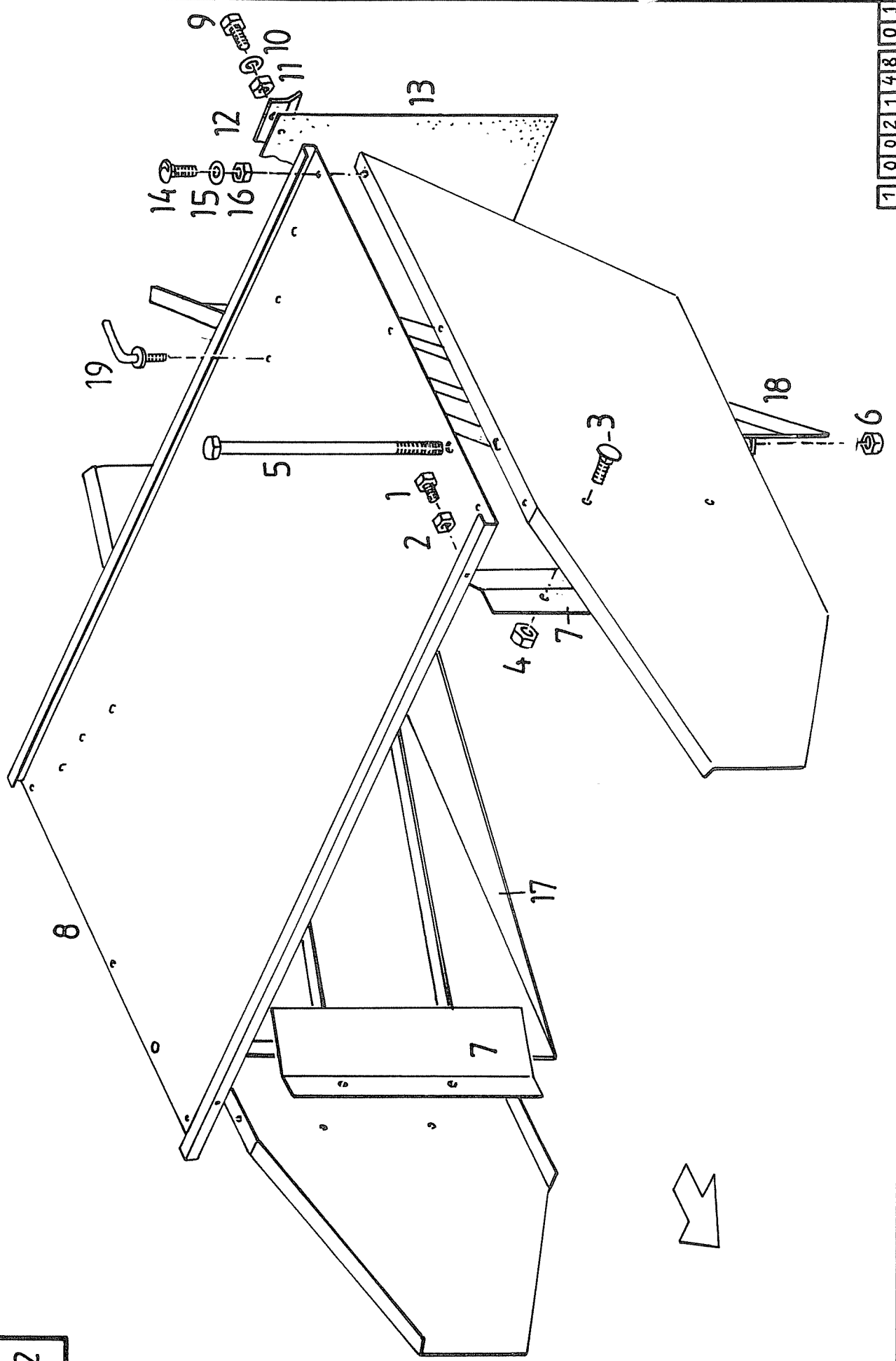
D01



1 0 0 2 1 4 4 0 1

POS. NR.	TEILE NR.	STUECK	BENENNUNG	DESCRIPTION	DESIGNATION	DENOMINATION	BEMERKUNGEN
POS. NR.	PART. NR.	QUANTITY					NOTES
POS. NO.	PIECE NO.	QUANTITE					NOTES
GRAB. NO.	PIEZA NO.	CANTIDAD					NOTAS
1	1650 6722	1	SCHLAUCHFUEHRUNG GSW.	GUIDE PIECE	PIECE DE GUIDAGE	GUIA	
3	0111 2429	4	SCHRAUBE M10X30 D933	HEX. HEAD SCREW	VIS TETE 6-PANS	TORN.CAB. HEXAGONAL	
5	0627 3771	16	SKTSCCHR M16X30 VP ZN	HEX. HEAD SCREW	VIS TETE 6-PANS	TORN. HEXAGONAL	
6	1650 2377	1	DEICHSEL GSW.	TOWPOLE	TIMON	TIMON	
7	1650 4766	1	BOLZEN	PIN/BOLT/STUD	BOULON/AXE	BULON	
8	0658 4948	1	HYDROZYLINDER BUE.	HYDRAULIC CYLINDER	CYLINDRE HYDRAUL	CILINDRO HIDRAULIC	
8.1	1650 4932	1	DICHTUNGSS.M.SPR.BUET.	SEALING SET	JEU DE JOINTS	LOTE JUNTAS	
9	1650 4555	1	BUEGEL GSW.	YOKE/RETAINER	ETRIER	ESTRIBO	
10	0626 4431	1	ZUGFEDER	SPRING	RESSORT	RESSORTE	
11	0111 5441	1	SPANNSTIFT 5X32 D1481	DOWEL PIN	GOUILLE SERRAGE	PERNO FIADOR	
12	0621 4226	1	SCHEIBE 21X37X3 ZN	WASHER	RONDELLE	ARANDELA	
13	1650 2682	1	ROHR	PIPE/TUBE	TUBE/TUYAU	TUBO	
14	0115 7415	1	SP.ST.D1481-16 X 55A4C	DOWEL PIN	GOUILLE SERRAGE	PERNO FIADOR	
15	1650 2375	1	STUETZFUSS GSW.	SUPPORT	PIED DE SUPPORT	PATA APOYO	
16	1650 2244	1	LASCHE	CONNECTING PLATE	ECLISSE	ECLISA	
17	1650 2224	1	BOLZEN	PIN/BOLT/STUD	BOULON/AXE	BULON	
18	0111 5444	2	SPANNSTIFT 5X40 D1481	DOWEL PIN	GOUILLE SERRAGE	PERNO FIADOR	
19	1650 2223	1	BOLZEN	PIN/BOLT/STUD	BOULON/AXE	BULON	
20	0111 5444	2	SPANNSTIFT 5X40 D1481	DOWEL PIN	GOUILLE SERRAGE	PERNO FIADOR	
21	0621 5296	1	DRUCKFEDER	COMPRESSION-SPRING	RESSORT-DE-PRESSION	MUELLE-DE-PRESION	
22	0622 8213	1	KETTE M. HAKEN	CHAIN	CHAINE	CADENA	
23	0114 2983	1	SCHB.30.0 DIN 126 -A4C	WASHER/DISC/PLATE	RONDELLE/DISQUE	DISCO/ARANDELA	
24	0114 3145	1	SP.ST.D1481-12 X 45A4C	DOWEL PIN	GOUILLE SERRAGE	PERNO FIADOR	
25	0656 8920	1	STUETZE	SUPPORT	SUPPORT	SOPORTE	
26	1650 2655	1	TRAGROHR GSW.	SUPPORT TUBE	TROMPETTE	TROMPETA EJE	
27	0111 2439	1	SCHRAUBE M10X35 D933	HEX. HEAD SCREW	VIS TETE 6-PANS	TORN.CAB. HEXAGONAL	
28	0620 9768	1	SICH-MUTTER M 10 D985	LOCK NUT	ECROU DE SECURITE	TUERCA DE SEGURIDAD	
29	0110 7165	1	SCHEIBE 11X21X2	WASHER	RONDELLE	ARANDELA	
30	0658 0245	1	BUCHSE	BUSH	MANCHON	MANGUITO	
31	0621 0714	2	TELLFEDER 34X16.3X1.5	CUP SPRING	RESSORT BELLEVILLE	DISCO ELASTICO	
32	0139 7608	2	BUCHSE 40W44X30-Y1-N2-C	BUSH	DOUILLE	CASQUILLO	
33	1650 2659	1	LAGERBOCK <i>ohne Flanke</i>	BRACKET	CHEVALET SUPPORT	CABALLETE SOPORTE	
34	0621 4992	2	PL-SPREIZNIET 5X16	RIVET	RIVET	REMACHE	
35	0621 4036	2	RUECKSTRAHLER GELB	REAR REFLECTOR	CATAPHOTE	PILOTO	
36	1650 6717	1	SCHUTZ	GUARD	TOLE PROTETRICE	CHAPA PROTECTORA	
37	0620 9768	4	SICH-MUTTER M 10 D985	LOCK NUT	ECROU DE SECURITE	TUERCA DE SEGURIDAD	
38	0115 7380	1	SPANNSTIFT 10X55 D1481	DOWEL PIN	GOUILLE SERRAGE	PERNO FIADOR	
39	0112 0697	1	SCHMIERNIPPPEL BM 8X1	GREASE NIPPLE	GRAISSEUR A PRESSION	ENGR. A PRESSION	
40	0621 4197	4	SCHEIBE 10.5X30X3 ZN	WASHER	RONDELLE	ARANDELA	

M02



1 0 0 2 1 4 8 0 1

CLICK HERE TO **DOWNLOAD** THE COMPLETE MANUAL

- Thank you very much for reading the preview of the manual.
- You can download the complete manual from: [www.heydownloads.com](http://www.heydownloads.com) by clicking the link below



- Please note: If there is no response to CLICKING the link, please download this PDF first and then click on it.

CLICK HERE TO **DOWNLOAD** THE COMPLETE MANUAL