
Ersatzteilliste

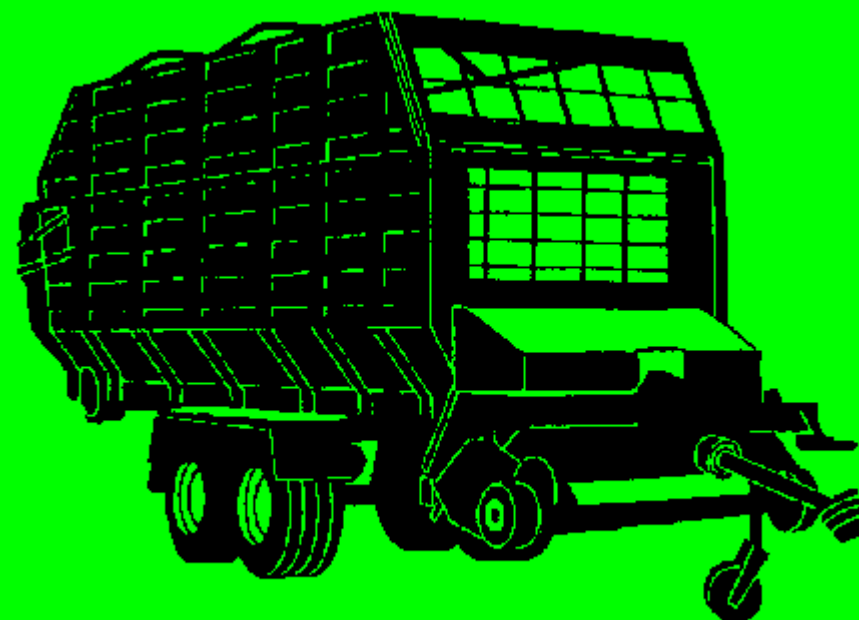
Onderdelenlijst

Spare parts list

Liste de pieces de rechange

Lista de piezas de recambio

FE 7.42



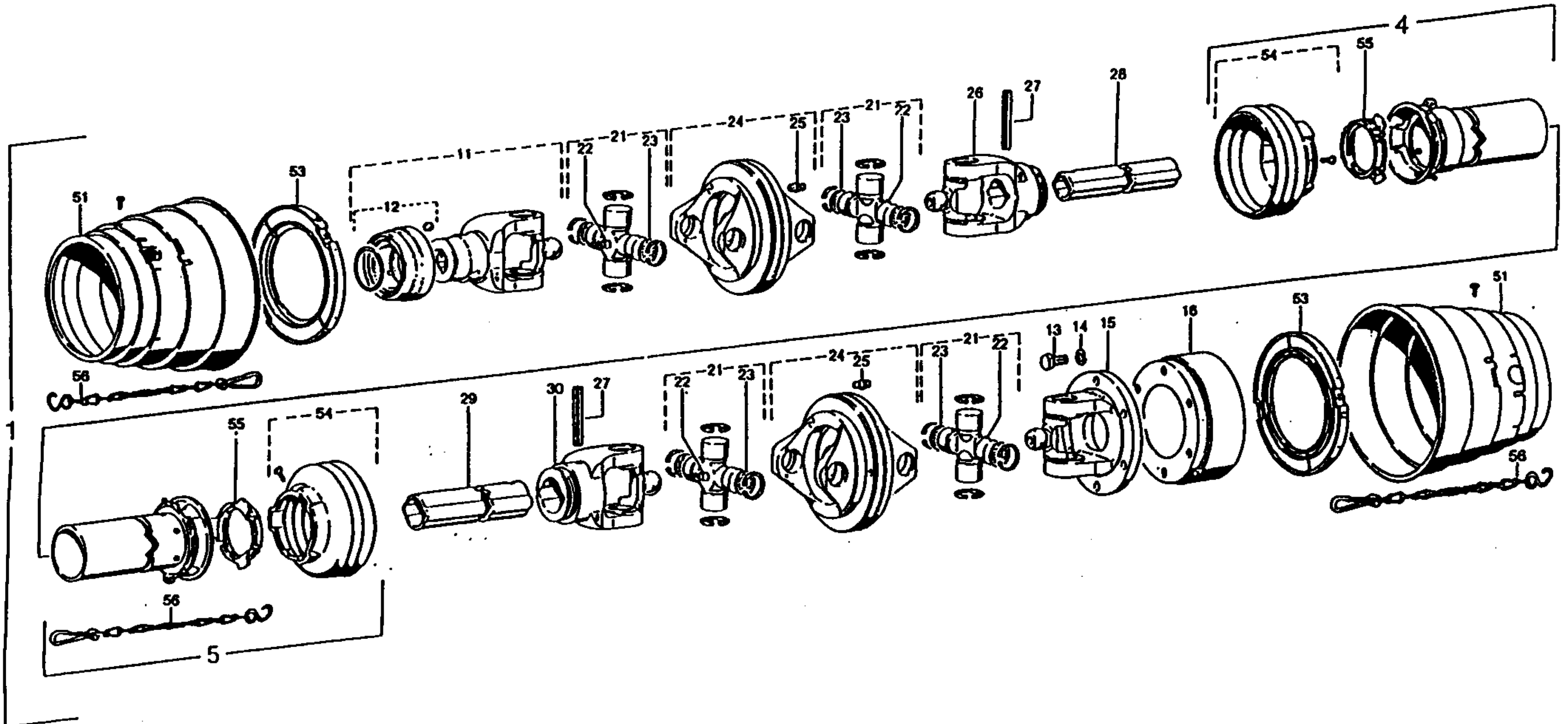
CLICK HERE TO **DOWNLOAD** THE COMPLETE MANUAL

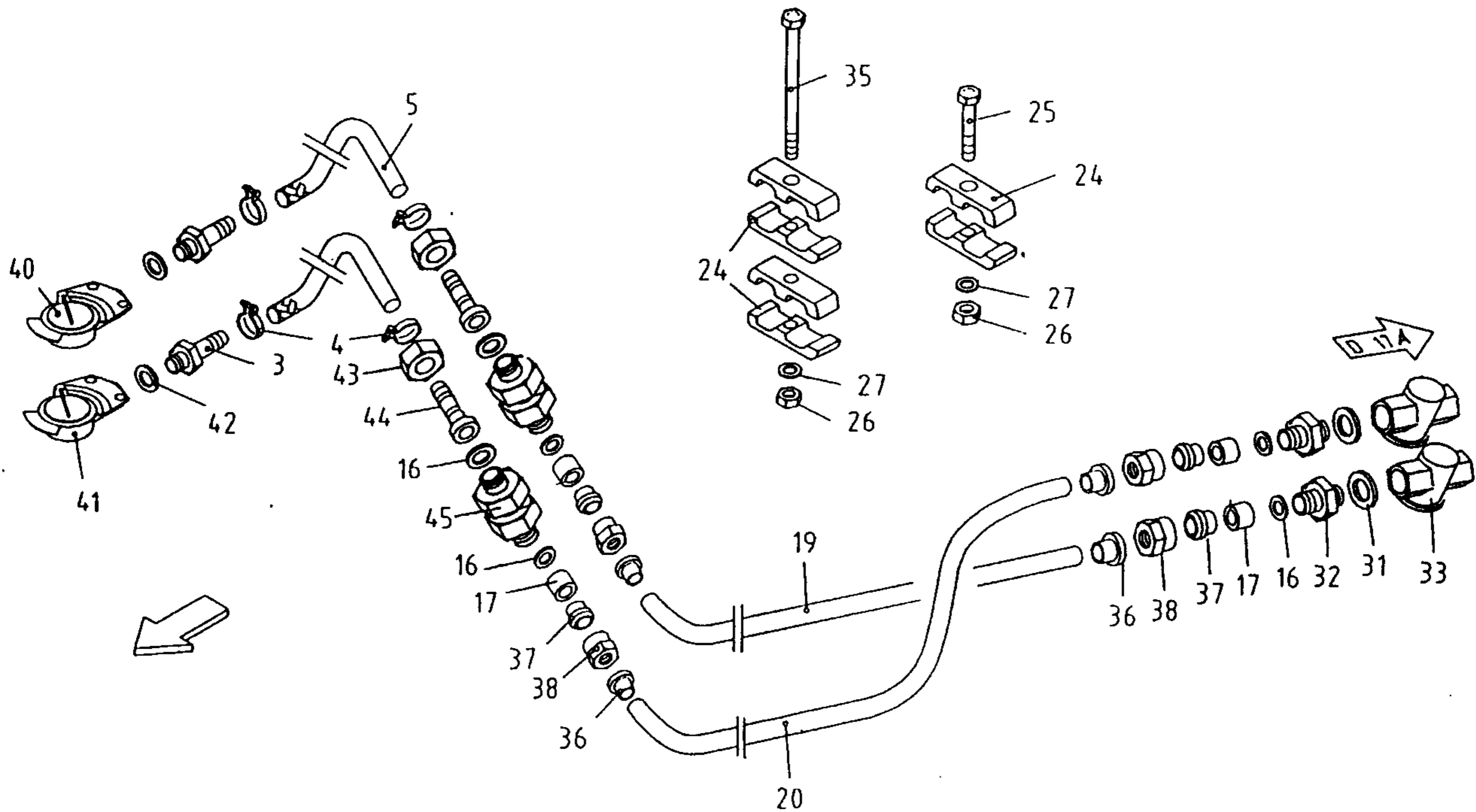
- Thank you very much for reading the preview of the manual.
- You can download the complete manual from: www.heydownloads.com by clicking the link below



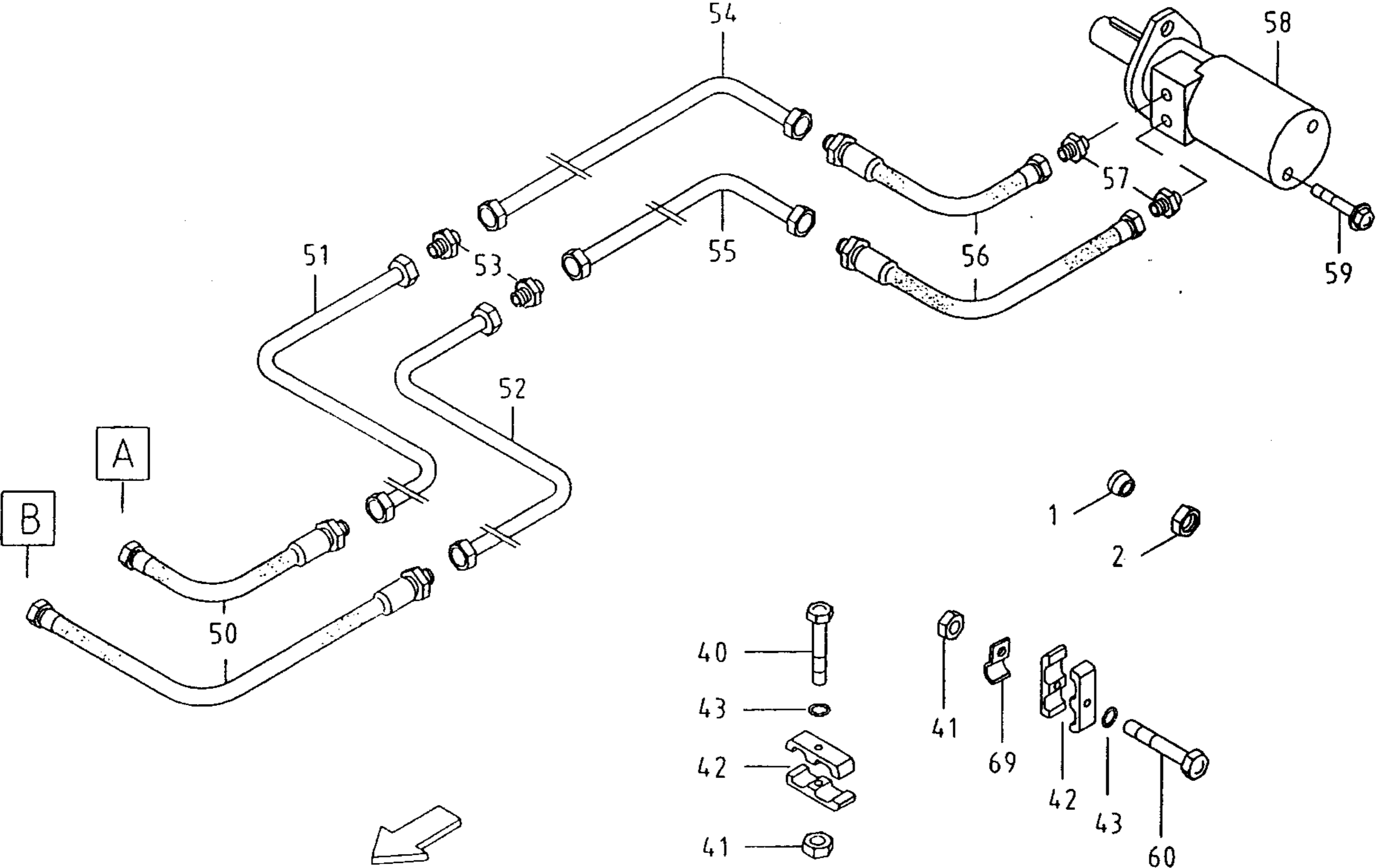
- Please note: If there is no response to CLICKING the link, please download this PDF first and then click on it.

CLICK HERE TO **DOWNLOAD** THE COMPLETE MANUAL





D 08



CLICK HERE TO **DOWNLOAD** THE COMPLETE MANUAL

- Thank you very much for reading the preview of the manual.
- You can download the complete manual from: www.heydownloads.com by clicking the link below



- Please note: If there is no response to CLICKING the link, please download this PDF first and then click on it.

CLICK HERE TO **DOWNLOAD** THE COMPLETE MANUAL

Aufbau starr rigid mounting motage rigide montaje rigido

Bildtafel E06

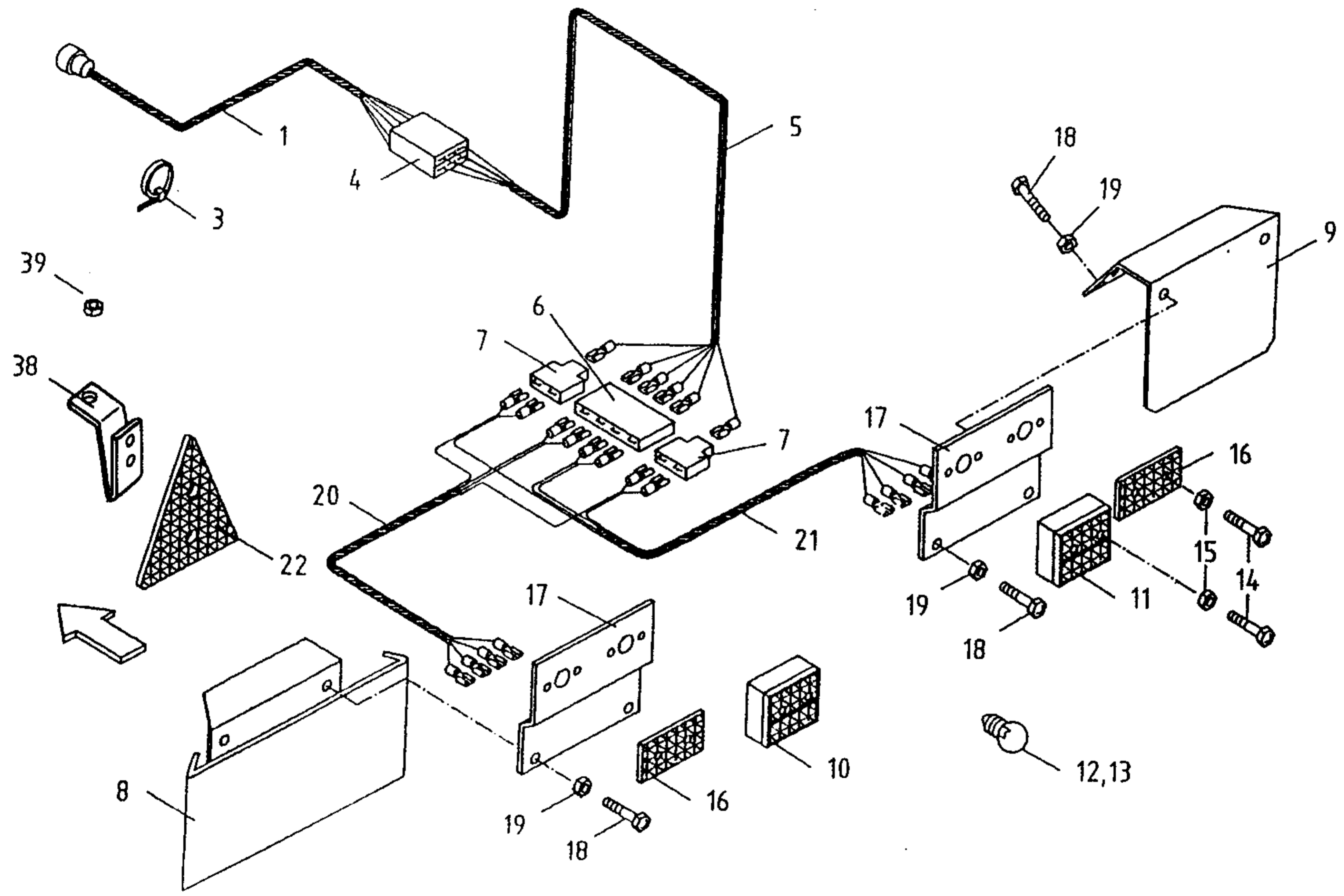
Diagram
Diagramme
Diagrama
Bemerkungen

Notes
Notes
Notas

| Pos. | Teile-Nr. | Menge | Benennung | Description | Designation | Denominacion |
|------|-----------|-------|-------------------|-----------------|-------------------|---------------------|
| Pos. | Part.Nr. | Qty. | | | | |
| Pos. | Piece No. | Cat. | | | | |
| Pos. | Pieza No. | Qte. | | | | |
| 1 | 1663 0560 | 1 | Rahmen vo.li.gsw. | FRAME | CHASSIS | CHASIS |
| 2 | 1663 0570 | 1 | Rahmen vo.re.gsw. | FRAME | CHASSIS | CHASIS |
| 3 | 1663 0580 | 1 | Rahmen hi.li.gsw. | FRAME | CHASSIS | CHASIS |
| 4 | 1663 0585 | 1 | Rahmen hi.re.gsw. | FRAME | CHASSIS | CHASIS |
| 5 | 1663 0365 | 2 | Dachbügel gsw. | BOW/YOKE | CADRE/ETRIER | ESTRIBO |
| 6 | 0110 2429 | 8 | Shr.M10x30 88A3C | LOCK NUT | ECROU DE SECURITE | TUERCA DE SEGURIDAD |
| 7 | 0620 9768 | 8 | Sich.-Mu.M10 A3C | HEX. HEAD SCREW | VI TETE 6-PANS | TORN.CAB.HEXAGONAL |

Bildtafel F04

| | | | Zugdeichsel Z 240 | traction bar | barre de traction | barra de traccion | Diagram Diagramme Diagrama |
|------|-----------|-------|----------------------|-----------------|----------------------|---------------------|----------------------------------|
| Pos. | Teile-Nr. | Menge | Benennung | Description | Designation | Denomination | Bemerkungen |
| Pos. | Part.Nr. | Qty. | | | | | Notes |
| Pos. | Piece No. | Qte. | | | | | Notes |
| Pos. | Pieza No. | Cat. | | | | | Notas |
| 1 | 0655 4790 | 1 | Bolzen | PIN | AXE | PERNO | |
| 2 | 1651 3238 | 1 | Deichsel gsw. | DRAWBAR | TIMON | TIMON | |
| 3 | 1651 5251 | 1 | ZUGVORRICHTUNG | TRACTION BAR | BARRE DE TRAC TION | BARRA DE TRACTION | |
| 4 | 1663 0283 | 1 | SCHLAUCHHALTER | CLAMPING PIECE | COLLIER | ABRAZADERA | |
| 5 | 0655 8567 | 1 | STUETZE | SUPPORT | SUPPORT | SOPORTE | |
| 6 | 0657 5227 | 8 | Abstandring | SPACER RING | BAGUE ECARTEMENT | ARO DISTANCIARIO | |
| 7 | 0111 2333 | 1 | Shr. M 8x25 88A3C | HEX. HEAD SCREW | VIS TETE 6-PANS | TORN.CAB. HEXAGONAL | |
| 8 | 0]11 2418 | 1 | Shr. 11 10x25 88A3C | HEX. HEAD SCREW | VIS TETE6-PANS | TORN.CAB. HEXAGONAL | |
| 9 | 0111 2687 | 4 | SHR.M16x10 D933 | HEX. HEAD SCREW | VIS TETE 6-PANS | TORN.CAB. HEXAGONAL | |
| 10 | 0111 1867 | 8 | SHR.M16x60 D931 10.9 | HEX.BOLT | VIS 6 PANS | TORNILLO HEXAGONAL | |
| 11 | 0110 4944 | 1 | Sich. Mu. M8 8A3C | LOCK NUT | ECROU DE SECURITE | TUERCA DE SEGURIDAD | |
| 12 | 0620 9768 | 1 | Sich.-Mutter M10 A3C | LOCK NUT | ECROU DE SECURITE | TUERCA DE SEGURIDAD | |
| 13 | 0112 7856 | 4 | Si.Mu.M16 D9B5 8A3C | LOCK NUT | ECROU DE SECURITE | TUERCA DE SEGURIDAD | |
| 14 | 0111 5478 | 2 | Spannstift 8x50 A3C | DOWEL PIN | GOUPILLE SERRAGE | PERNO FIADOR | |
| 15 | 0113 7526 | 1 | Stützschr. 35x45x2,5 | WASHER | RONDELLE | ARANDELA | |
| 16 | 0621 4486 | 1 | Pass-Schr. 35x45x1,0 | SPACER | RONDELLE D'EPAISSEUR | ARANDELA DE ESPESOR | |
| 17 | 1661 1356 | 1 | Kette | CHAIN/TPACK | CHAINE/CHENILLE | CADENA | |
| 18 | 0114 2556 | 16 | Spannscheibe | SPACING RING | RONDELLE SERRAGE | ARANDELA FIJACION | |
| 22 | 0110 0590 | 8 | Mutter M16 10 A3C | LOCK NUT | ECROU DE SECURITE | TUERCA DE SEGURIDAD | |



Pick-Up 1.8
Prallblech

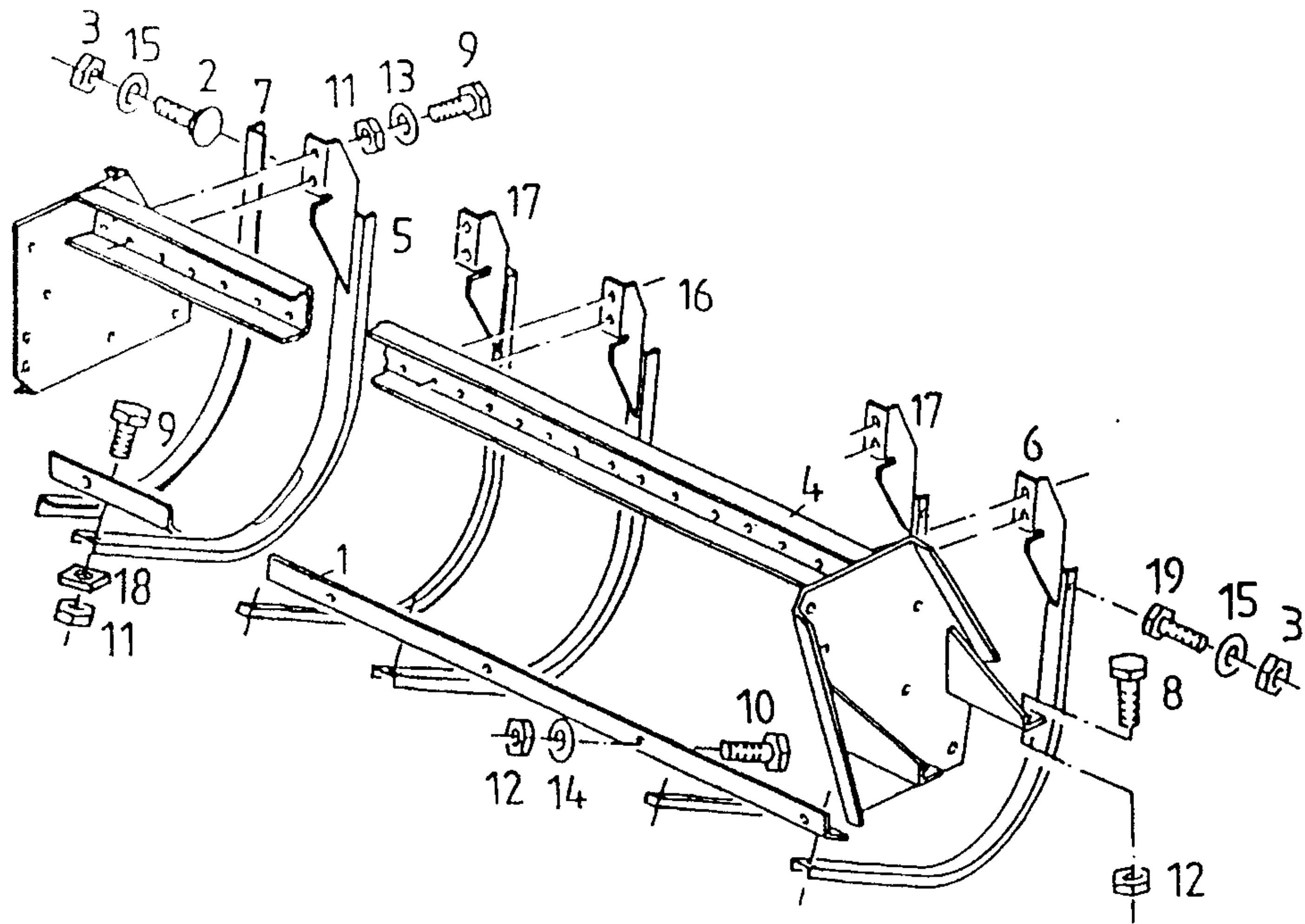
pick-up
baffle-plate

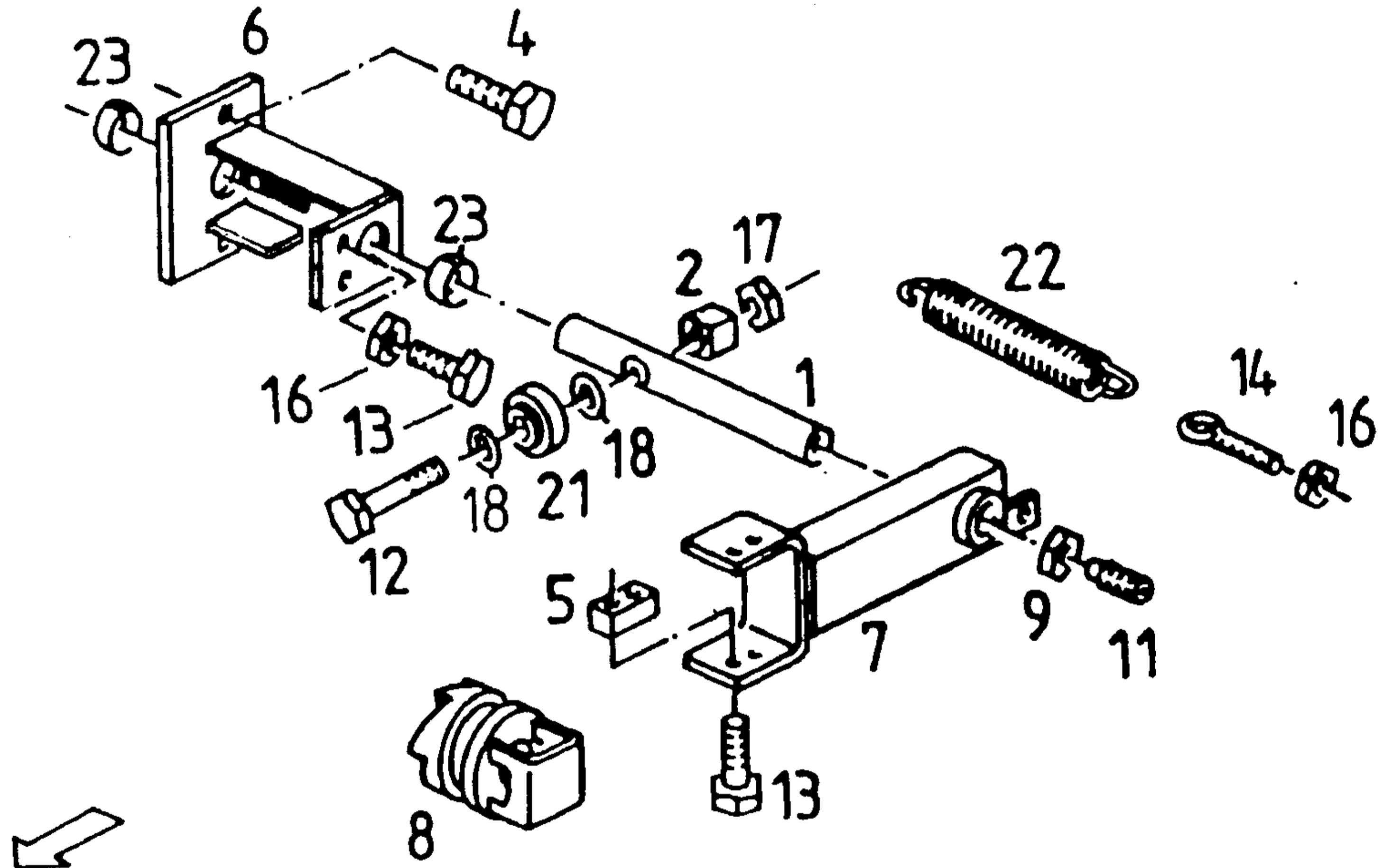
pick-up
tole-chicane

pick-u
chapa de choque

Bildtafel K 07
Diagram
Diagramme
Diagrama

| Pos. | Teile-Nr. | Menge | Benennung | Description | Designation | Denominacion | Bemerkungen |
|------|-----------|-------|----------------------|-------------------|--------------------|---------------------|-------------|
| Pos. | Part.Nr. | Qty. | | | | | Notes |
| Pos. | Piece No. | Qte. | | | | | Notes |
| Pos. | Pieza No. | Cat. | | | | | Notas |
| 1 | 1663 0730 | 1 | Prallblech gsw. | Baffle-plate | tole-chicane | chapa de choque | |
| 2 | 1661 1479 | 1 | GUMMILEISTE | rubber bar | barrette caoutch. | lion de goma | |
| 3 | 0114 2806 | 9 | FLRD.SHR.M6x25 | TRUSS-HEAD SCREW | VIS TETE BOMBEE | TORN.CAB.SEMIRED. | |
| 4 | 0657 8934 | 1 | LEISTE | STRIP | LISTEAU/MOULURE | LISTON | |
| 5 | 0114 2805 | 9 | Blindnietmutter M6 | RIVET NUT | ECROU BORGNE A RIV | TUERCA FIJ.REMACHE | |
| 6 | 0113 7628 | 2 | Shr. M 8x30 DIN 603 | SAUCER HEAD SCREW | VIS A TETE BOMBEE | TORN. CAB. BOMBEADA | |
| 7 | 0110 4944 | 6 | Sich. Mu. M8 8A3C | LOCK NUT | ECROU DE SECURITE | TUERCA DE SEGURIDAD | |
| 8 | 1651 3473 | 2 | HALTER | RETAINER | SUPPORT/PORTEQUTIL | SOPORTE | |
| 9 | 0139 7609 | 2 | Kette 6x42 D763-16GL | CHAIN/TRACK | CHAINE/CHENILLE | CADENA | |
| 10 | 0139 7931 | 2 | Z.Feder 3,5x18,5x173 | DRAW SPRING | RESSORT TRACTION | RESORTE TRACCION | |
| 11 | 0112 7538 | 4 | Shb. 10,5 DIN 7349 | WASHER | RONDELLE | ARANDELA | |
| 12 | 0110 8524 | 4 | SHR. M8x20 D603 | SCREW | vis | TORNILLO | |
| 13 | 0621 5666 | 2 | Federstecker 3 A3C | SPRING CLIP | AGRAFE | PASADOR | |





CLICK HERE TO **DOWNLOAD** THE COMPLETE MANUAL

- Thank you very much for reading the preview of the manual.
- You can download the complete manual from: www.heydownloads.com by clicking the link below



- Please note: If there is no response to CLICKING the link, please download this PDF first and then click on it.

CLICK HERE TO **DOWNLOAD** THE COMPLETE MANUAL