



CONTENTS



<u>ASSEMBLY</u>	<u>SECTION</u>
Mainframe	1
Rear Arm	2
Radiator - Diesel	3
Radiator - LPG	3.1
Bonnet	4
Hydraulic Tank	5
Diesel Tank	6
Gas Carrier	6.1
Cabin Assembly - Interior	7
Cabin Assembly - Exterior I	7.1
Cabin Assembly - Exterior II	7.2
Accelerator & Inching Pedals	7.3
Diesel Exhaust	8
LPG Exhaust - Tier I	8.1
LPG Exhaust - Tier II	8.2
Air Filter	9
6 Port Changeover & 4 Port Diverter Valves	10
Brake Valve on Hydraulic Tank	10.1
Cetop 7 Yukon Valve & Bleed Block	11
Steering Motor	12
Wheel Motors	13
Engine/Hydrostatic Pump - Diesel	14
Engine/Hydrostatic Pump - LPG	14.1
Dash Face Layout	15
Dash Internal - Relay Layout	15.1
Fuse Box	16
Wheels	17
Forks	18
Mast Carriage	19
 <u>Hydraulic Sections</u>	
Valve Chest Feed & Return Lines	20
Gear Pump Suction Line	21
Feed To Hydrostatic Pump	22
Rear Hub Hydraulics	23
Front Hub Hydraulics	24
Steering Hydraulics - Rams	25
Steering Hydraulics - Steering Motor	25.1
Pump To Inching & Brake Valves	26
Oil Cooler Hydraulics	27
Tilt Cylinder Hydraulics	28
Carriage Cylinder Hydraulics	29
Electrical Section Of Valve Chest To Hydrostatic Pump & Bleed Block	30
Valve Chest To Bulkhead Bracket - Lift & Auxiliary (Side Shift) Hoses	31
Valve Chest	32
Electric Oil Cooler	33
Mast	34

CLICK HERE TO **DOWNLOAD** THE COMPLETE MANUAL

- Thank you very much for reading the preview of the manual.
- You can download the complete manual from: www.heydownloads.com by clicking the link below



- Please note: If there is no response to CLICKING the link, please download this PDF first and then click on it.

CLICK HERE TO **DOWNLOAD** THE COMPLETE MANUAL



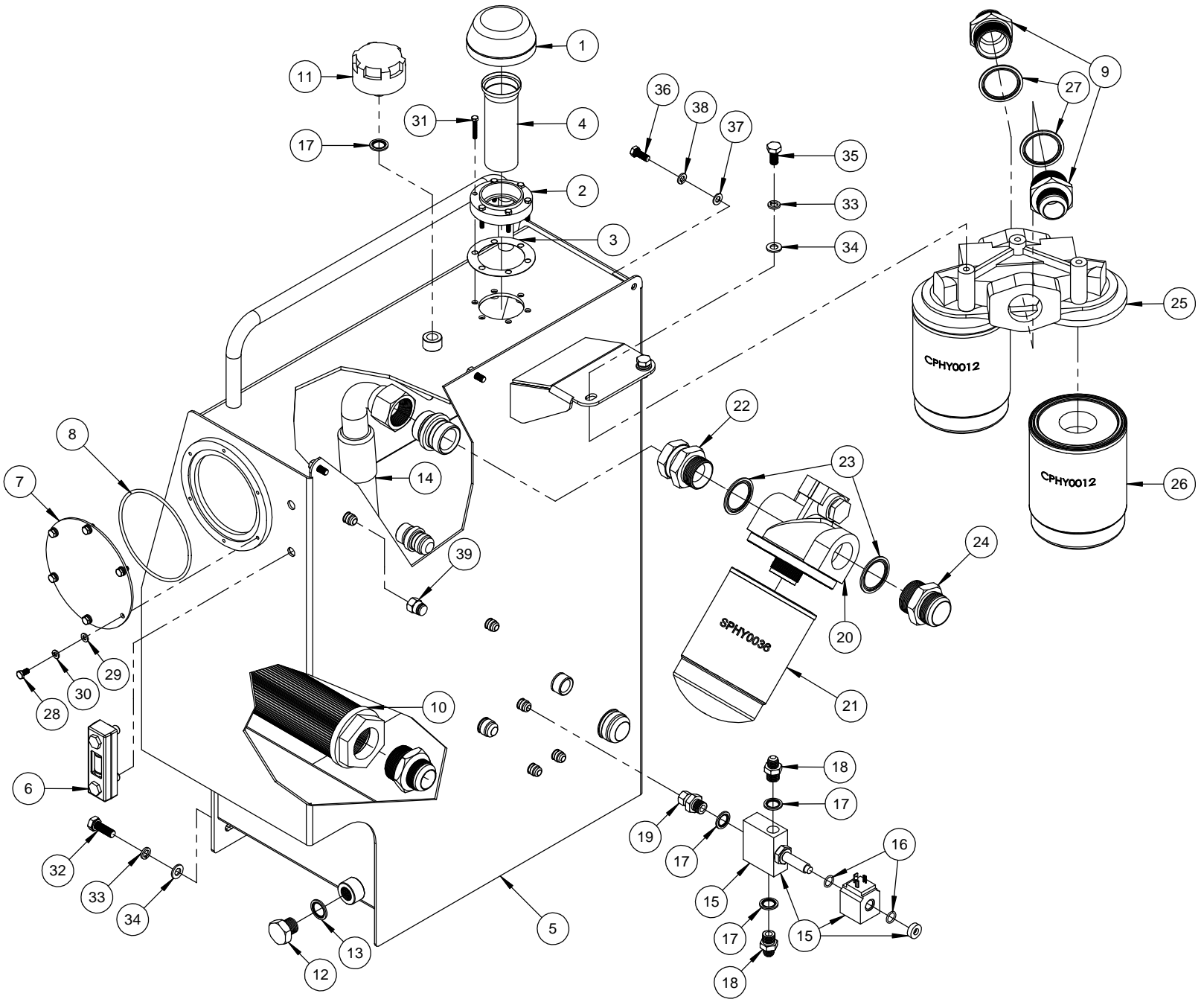
Ref No: CM60005

Rev: 00

Rev Date: 31/01/2008

Title: Hydraulic Tank Assembly

SECTION
05





Ref No:CM60007.2

Rev: 00

Rev Date: 31/01/08

SECTION

Title: Cabin Assembly - Exterior II

07

Parts Table

ITEM	QTY.	DESCRIPTION	PART NO.	REV.	SERIAL BREAK
1	2	Wiper Motor	CPE00022	01-A	
2	6	Wiper Seal Kit *	CPC00021	01-A	
3	15	M8 Hex Nut	CPB00049	01-A	
4	4	Wiper Arm Assembly	CPC00019	01-A	
5	2	Wiper Blade	CPC00020	01-A	
6	1	Strobe Beacon	CPE00086	01-A	
6	1	Large Strobe Beacon (Optional)	CPE00170	01-A	
7	3	External Worklight	CPE00006	01-A	
8	8	M10 FlatWasher	CPB00032	01-A	
9	3	M10 Lock Nut	CPB00262	01-A	
10	37	M8 Flat Washer	CPB00015	01-A	
11	1	M8x45 Hex Head Bolt	CPB00041	01-A	
12	2	Grommet for Work Lights	CPE00077	01-A	
13	12	M8x20 Hex Head Bolt	CPB00012	01-A	
14	1	Temperature Control Valve	CPC00058	01-A	
15	2	M4x12 Countersunk Screw	CPB00246	01-A	
16	22	M8 Lock Nut	CPB00029	01-A	
17	2	Heater Vent	CPC00025	01-A	
18	1	12V Horn	CPE00011	01-A	
19	2	Adaptation Tube (45 °)	CPC00171	01-A	
20	2	Breeze Hose Clip (70-90mm)	CPB00172	01-A	
21	1	Cabin Heater Fan	CPC00051	02-A	
22	1	Heater Unit	CPC00059	01-A	
23	3	3/8" Bond Seal	SPF00041	01-A	
24	1	∅44mm Air Hose	CPC00033	01-A	
25	2	Breeze Hose Clip (27-51mm)	CPC00095	01-A	
26	1	∅15 Hose (Heater Unit to Engine Block)	CPC00163	01-A	
27	1	∅15mm Hose (Valve to Water Pump)	CPC00057	01-A	
28	1	∅15mm Hose (Valve to Heater Unit)	CPC00162	01-A	
29	6	Jubilee Clip (18-25mm)	CPV00103	01-A	
30	1	1" NPT x 1"1/16 JIC M/M Adaptor	SPF00035	01-A	
31	1	1 1/16" JIC 90 to Suit 5/8" Hose	SPF00048	01-A	
32	3	M5x20 Hex Head Bolt	CPB00145	01-A	
33	3	M5 Flat Washer	CPB00128	01-A	
34	3	M5 Nylon Lock Nut	CPB00147	01-A	
35	1	3/8" X 1/2" BSP M/M Adaptor	SPF00046	01-A	
36	1	1/2" BSP Swept 90 to Suit 5/8" Hose	SPF00047	01-A	
37*	1	Tee for Heater Hose (∅16mm)	CPC00092	01-A	
38	1	Large Beacon Mounting Bracket *	SMC00248	01-A	

*** NOTES:**

1. WIPER SEAL KIT (ITEM 2) IS SUPPLIED WITH WIPER MOTOR (ITEM 1) BUT CAN ALSO BE SUPPLIED SEPERATELY
2. ITEM 37 IS FOR THE LPG MACHINE ONLY
3. ITEM 38 IS ONLY REQUIRED WITH THE OPTIONAL LARGE BEACON



Ref No: CM60010

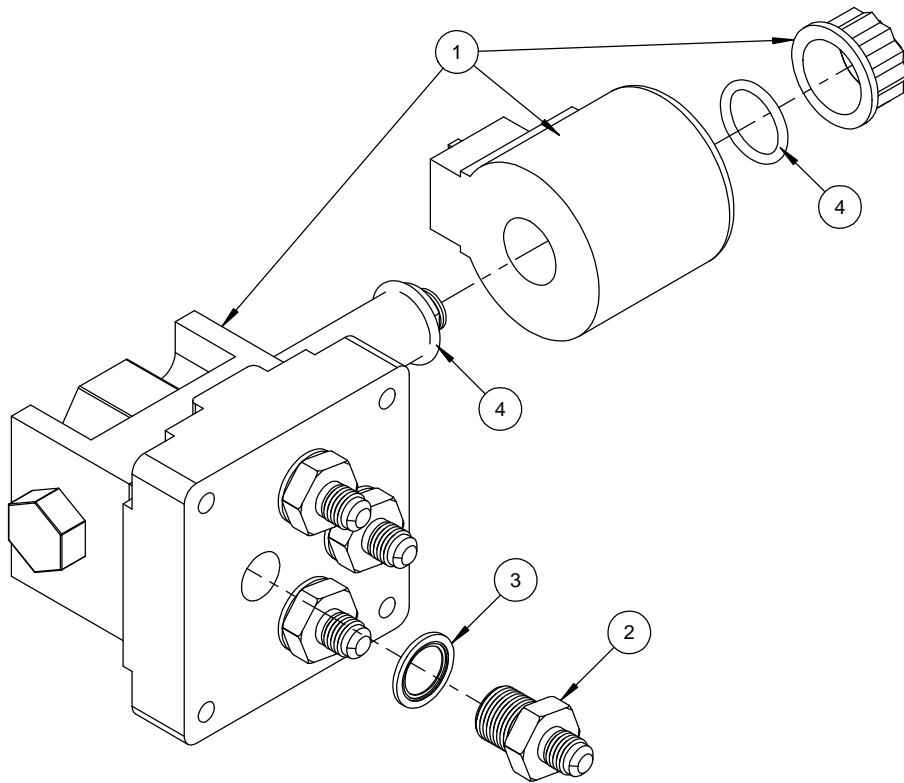
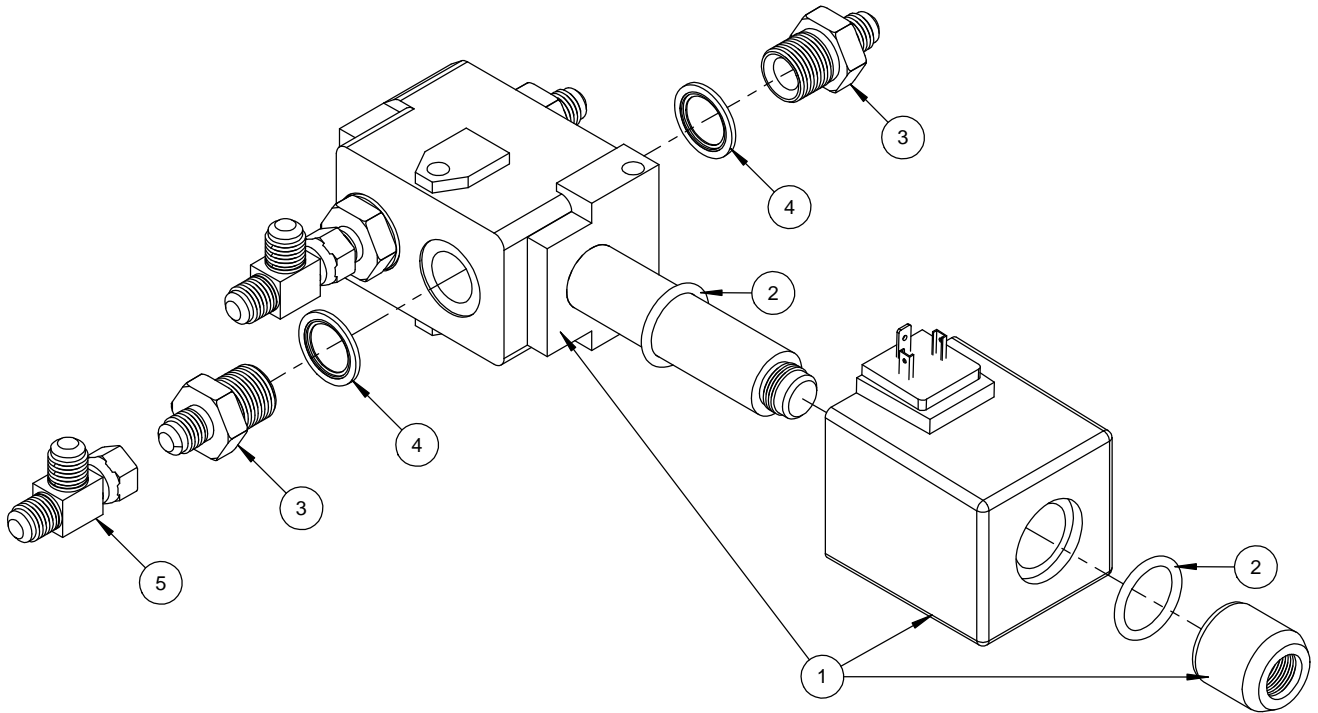
Rev: 00

Rev Date: 31/01/08

SECTION

Title: 6 Port Changeover & 4 Port Diverter Valves

10





Ref No: CM60014

Rev: 00

Rev Date: 31/01/08

SECTION

Title: Engine/Pump Assembly - Diesel

14

Parts Table

ITEM	QTY.	DESCRIPTION	PART NO.	REV.	SERIAL BREAK
1	1	Turbo Diesel Engine	SPK00014	01-A	
2	1	Hydrostatic Pump	SPHY0007	01-A	
3	1	Gear Pump	SPHY0058	01-A	
4	2	Manifold Block	SPHY0047	01-A	
5	1	Bell Housing	SPK00109	01-A	
6	1	Coupling Plate	SPK00106	01-A	
7	1	Hub Star	SPK00107	01-A	
8	8	M12x70 Hex Head Bolt	CPB00275	01-A	
9	1	M42 Bond Seal	SPF00058	01-A	
10	2	M18 Bond Seal	SPF00032	01-A	
11	2	M18 - 9/16" JIC M/M Adaptor	SPF00018	01-A	
12	2	Drive Manifold O-ring	SPHY0011	01-A	
13	2	M26 - 1/16" JIC M/M Adaptor	SPF00017	01-A	
14	2	M26 Bond Seal	SPF00057	01-A	
15	30	M12 Flat Washer	CPB00082	01-A	
16	2	1/4" BSP Bung	SPF00023	01-A	
17	2	3/4" BSP Bung	SPF00037	01-A	
18	6	3/4" BSP - 7/8" JIC M/M Adaptor	SPF00010	01-A	
19	8	3/4" Bond Seal	CPF00057	01-A	
20	1	M42 - 1"5/8 JIC M/M Adaptor	CPF00075	01-A	
21	2	1/4" Bond Seal	CPF00054	01-A	
22	2	Rear R.H. Engine Mount	SMK00009	01-A	
23	2	Rear L.H. Engine Mount	SMK00008	01-A	
24	1	Front Engine Mount	SMK00011	01-A	
25	4	Rubber Engine Mount	CPV00005	01-A	
26	1	Gear Pump O-ring	SPSK0008	01-!	
27	1	1"1/2 Bond Seal	SPF00006	01-A	
28	1	1"1/2 BSP - 1"5/8 JIC M/M Adaptor	SPF00008	01-A	
29	4	M20x40 Hex Head Bolt	CPB00198	01-A	
30	4	M20 Flat Washer	CPB00091	01-A	
31	2	M12x30 Socket Head Bolt	CPB00153	01-A	
32	1	Kubota Fan	SPK00070	02-A	
33	8	M12x35 Hex Head Bolt (1.25 Set)	CPB00276	01-A	
34	8	M12x40 Hex Head Bolt (1.25 Set)	CPB00277	02-A	
35	12	M10x30 Hex Head Bolt (1.25 Set)	CPB00278	01-A	
36	20	M10 Flat Washer	CPB00032	01-A	
37	1	1" Bond Seal	CPF00058	01-A	
38	1	1"BSP - 7/8"JIC M/M Adaptor	SPF00056	01-A	
39	1	1"5/8 JIC - 1"5/8 JIC M/F Adaptor	SPF00049	01-A	
40	4	M12x110 Hex Head Bolt	CPB00163	01-A	
41	4	Engine Mount Washer	CMV00023	01-A	
42	4	M12 Nylon Lock Nut	CPB00123	01-A	
43	4	25mm Pipe Clamp	CPF00049	01-A	
44	2	25mm Pipe Clamp Top	CPF00051	01-A	
45	2	M8x45 Hex Head Bolt	CPB00041	01-A	
46	4	M8x14 Hex Head Bolt	CPB00236	01-A	
47	4	M8 Flat Washer	CPB00015	01-A	
48	8	M10x40 Hex Head Bolt (1.25 Set)	CPB00279	01-A	



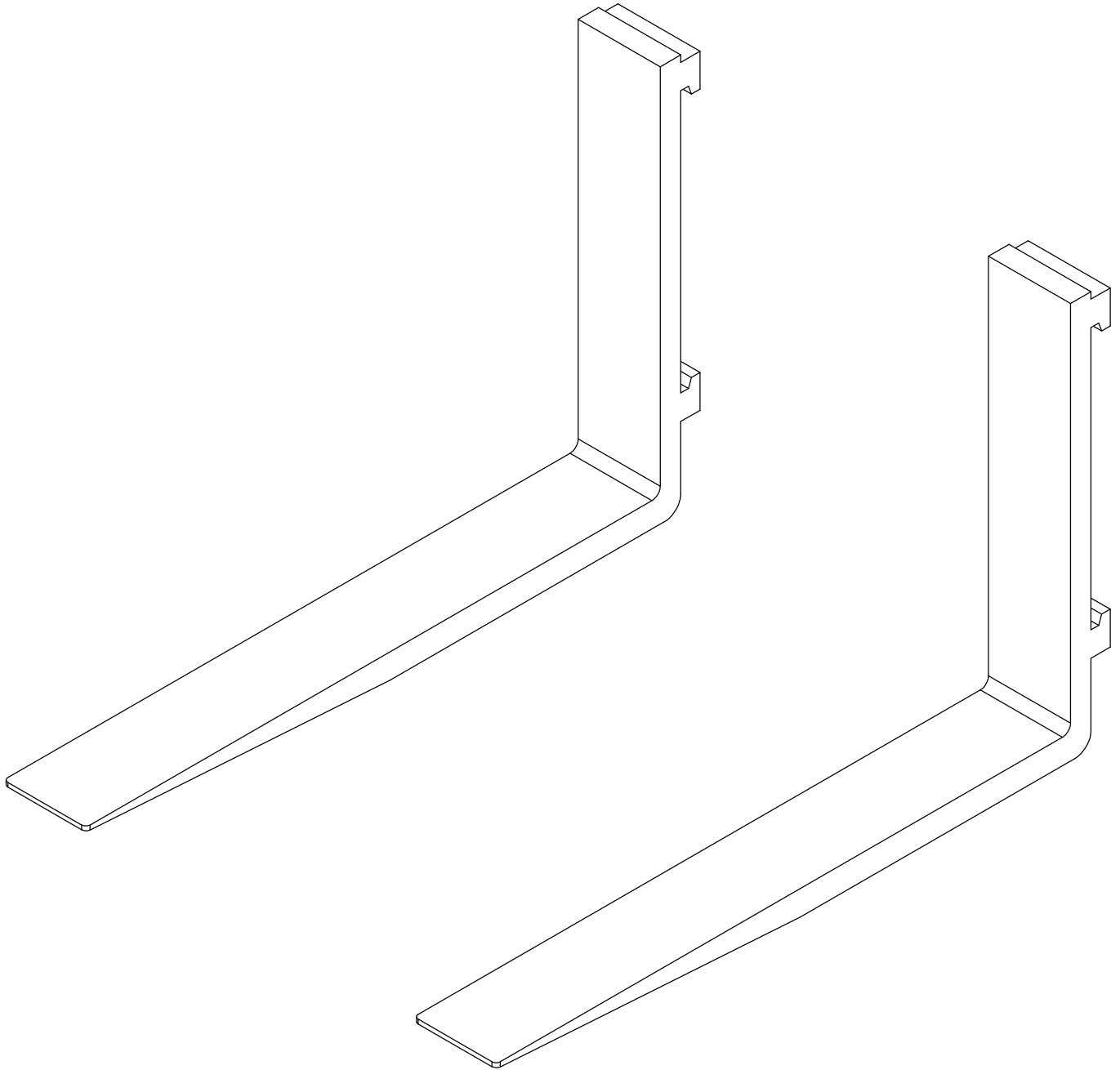
Ref No: CM60018

Rev: 00

Rev Date: 31/01/08

SECTION
18

Title: Forks



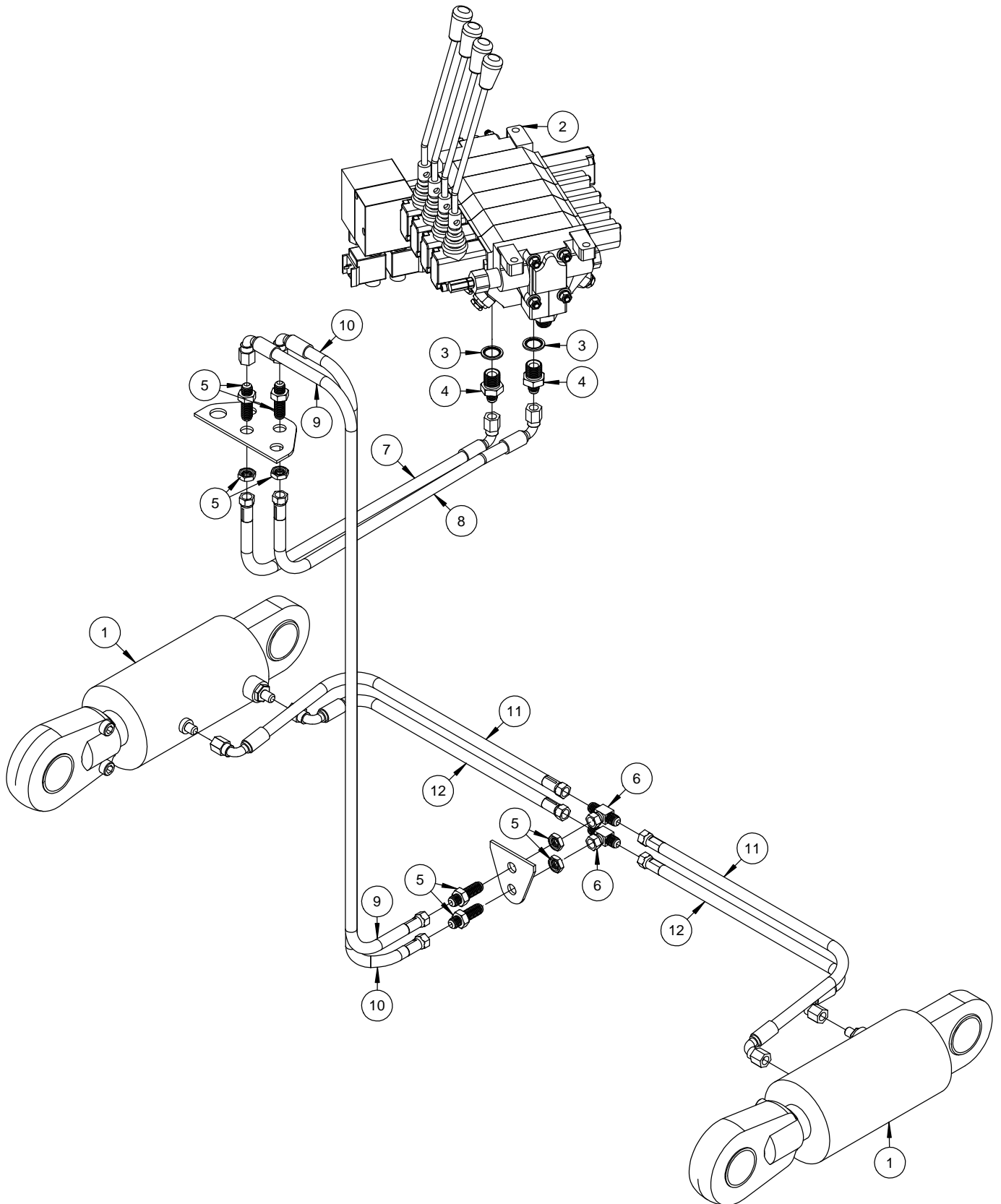
**Ref No: CM60023**

Rev: 00

Rev Date: 31/02/08

SECTION**Title: Rear Hub Hydraulics****23****Parts Table**

ITEM	QTY.	DESCRIPTION	PART NO.	REV.	SERIAL BREAK
1	1	Hydraulic Tank	SMH00001	01-A	
2	1	Brake Valve	CPHY0006	01-A	
3	1	Hydrostatic Pump	SPHY0007	01-A	
4	1	Rear Arm	SMS00054	01-A	
5	1	Rear Motor	SPHY0050	01-A	
6	1	Rear Arm Hydraulic Pipe - L.H.S.	SPHY0049	01-A	
7	1	Rear Arm Hydraulic Pipe - R.H.S	SPHY0048	01-A	
8	2	M27 - 1"1/16 JIC M/M Adaptor	SPF00011	01-A	
9	1	M18 - 9/16" JIC M/M Adaptor	SPF00018	01-A	
10	1	M16 - 9/16" JIC M/M Adaptor	SPF00021	01-A	
11	2	1"1/16 BSP Swivel Fitting	SPHY0006	01-A	
12	3	M18 Bond Seal	SPF00032	01-A	
13	6	3/4" BSP - 7/8" JIC M/M Adaptor	SPF00010	01-A	
14	8	3/4" Bond Seal	CPF00057	01-A	
15	1	9/16" JIC Block 90° M/F	CPF00069	01-A	
16	1	9/16" JIC Tee M/M/F	SPF00026	01-A	
17	1	9/16" JIC Tee M/F/M	SPF00025	01-A	
18	1	M16 Bond Seal	CPF00100	01-A	
19	2	M27 Bond Seal	SPF00043	01-A	
20	1	Hose - Back Block to Back of Rear Arm - Diesel	SPH00003	01-A	
20	1	Hose - Back Block to Back of Rear Arm - LPG	SPH00062	01-A	
21	1	Hose - Front Block to Front of Rear Arm - Diesel	SPH00004	01-A	
21	1	Hose - Front Block to Front of Rear Arm - LPG	SPH00063	01-A	
22	1	Hose - Rear Motor Bleed to Hyd. Tank - Diesel	SPH00011	01-A	
22	1	Hose - Rear Motor Bleed to Hyd. Tank - LPG	SPH00064	01-A	
23	1	Hose - P2 Brake Valve to Rear Motor - Diesel	SPH00012	01-A	
23	1	Hose - P2 Brake Valve to Rear Motor - LPG	SPH00065	01-A	



CLICK HERE TO **DOWNLOAD** THE COMPLETE MANUAL

- Thank you very much for reading the preview of the manual.
- You can download the complete manual from: www.heydownloads.com by clicking the link below



- Please note: If there is no response to CLICKING the link, please download this PDF first and then click on it.

CLICK HERE TO **DOWNLOAD** THE COMPLETE MANUAL