



CXZ 30

Horizontal-Kommisionierer
Horizontal order picker Truck
Préparateur de commande au sol
Carrelli elevatori orizzontali per la composizione di ordini
Carretilla elevadora horizontal



**Ersatz-
teil-
Liste**

**Spare
Parts
List**

**Catalogue
de pièces
détachées**

**Catalogo
parti di
ricambio**

**Catálogo
de
recambio**

Ident-Nr. 4492307-01-07

71 1047 X XXXXX

STILL

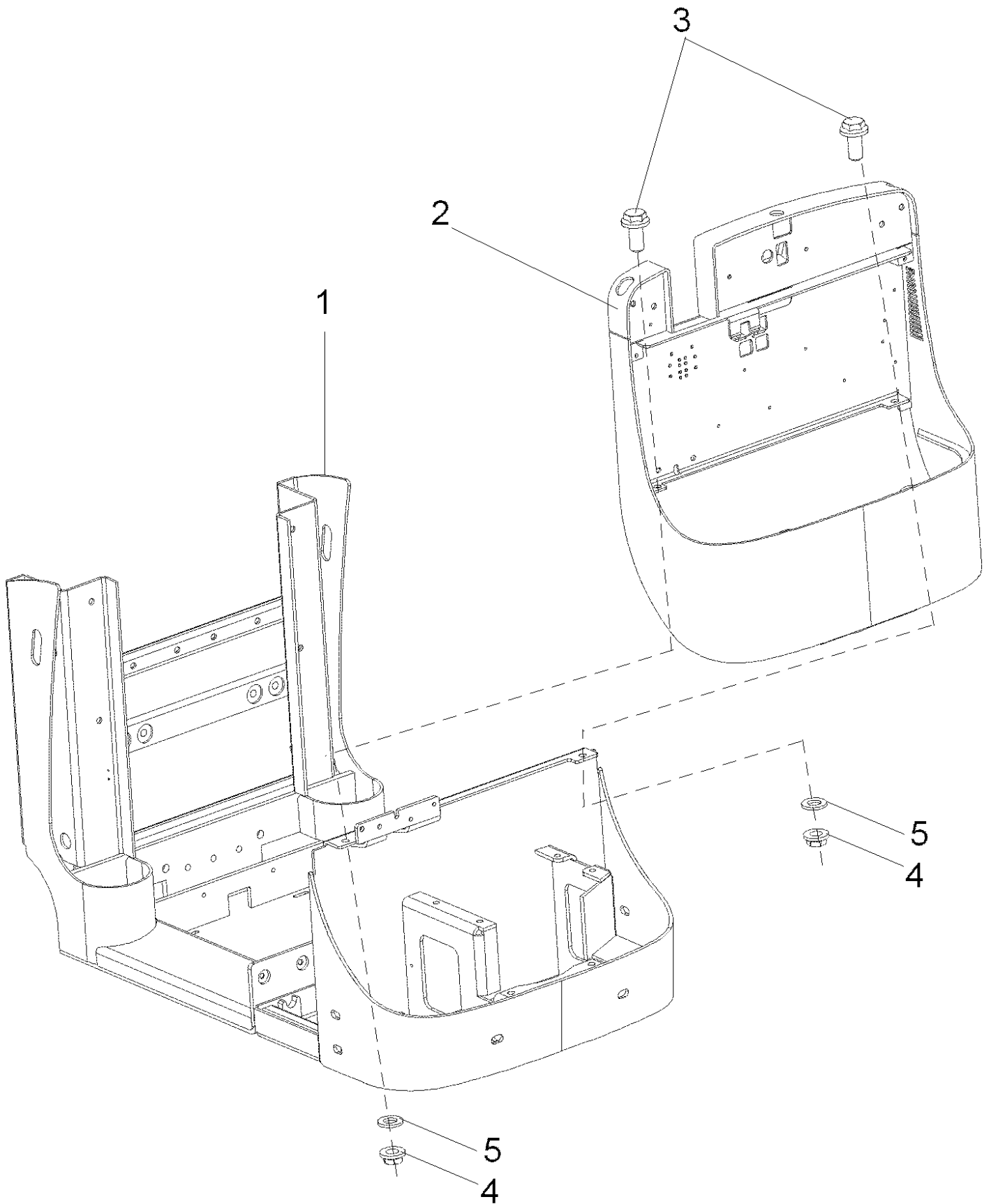
CLICK HERE TO **DOWNLOAD** THE COMPLETE MANUAL

- Thank you very much for reading the preview of the manual.
- You can download the complete manual from: www.heydownloads.com by clicking the link below

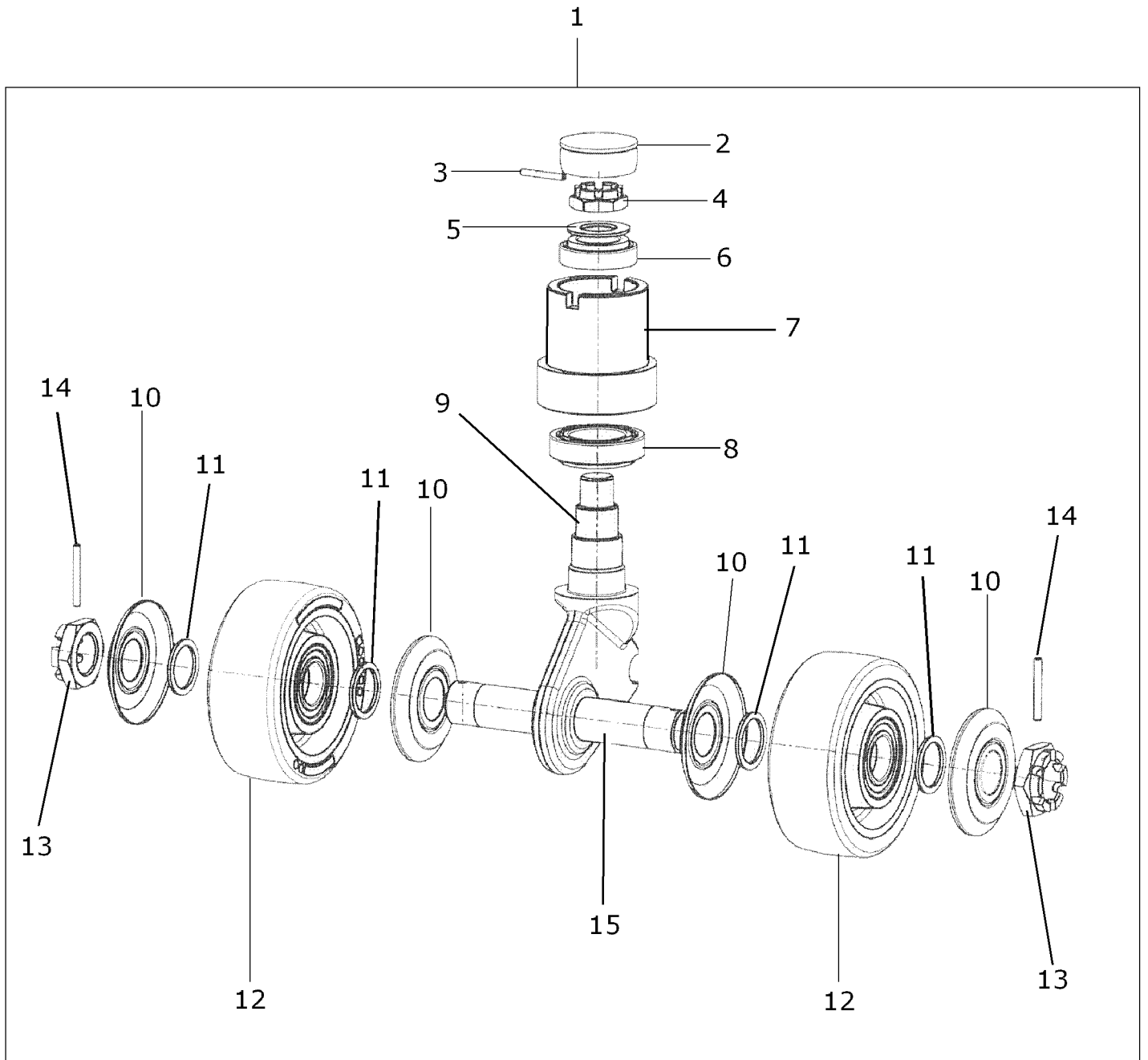


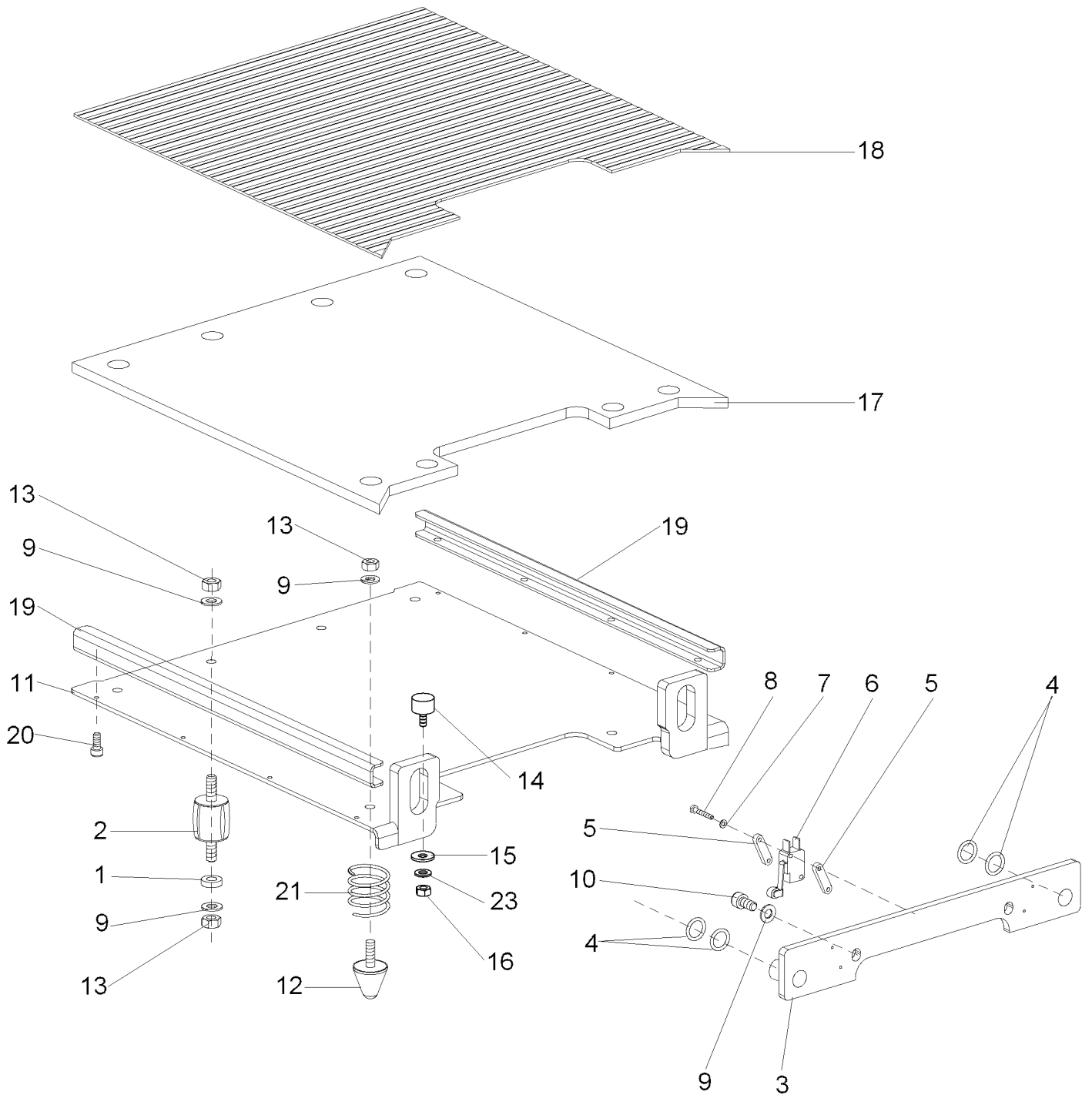
- Please note: If there is no response to CLICKING the link, please download this PDF first and then click on it.

CLICK HERE TO **DOWNLOAD** THE COMPLETE MANUAL

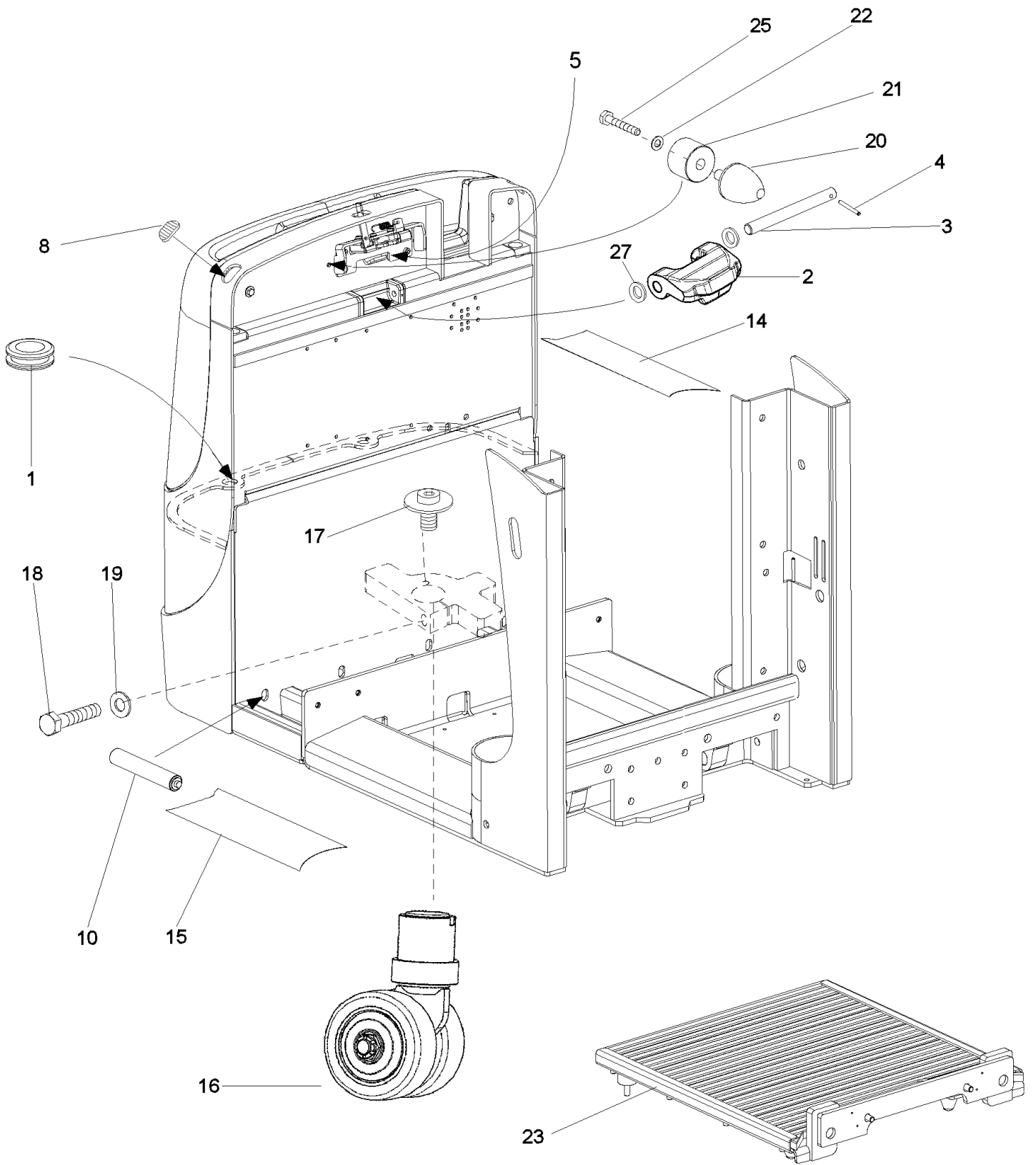


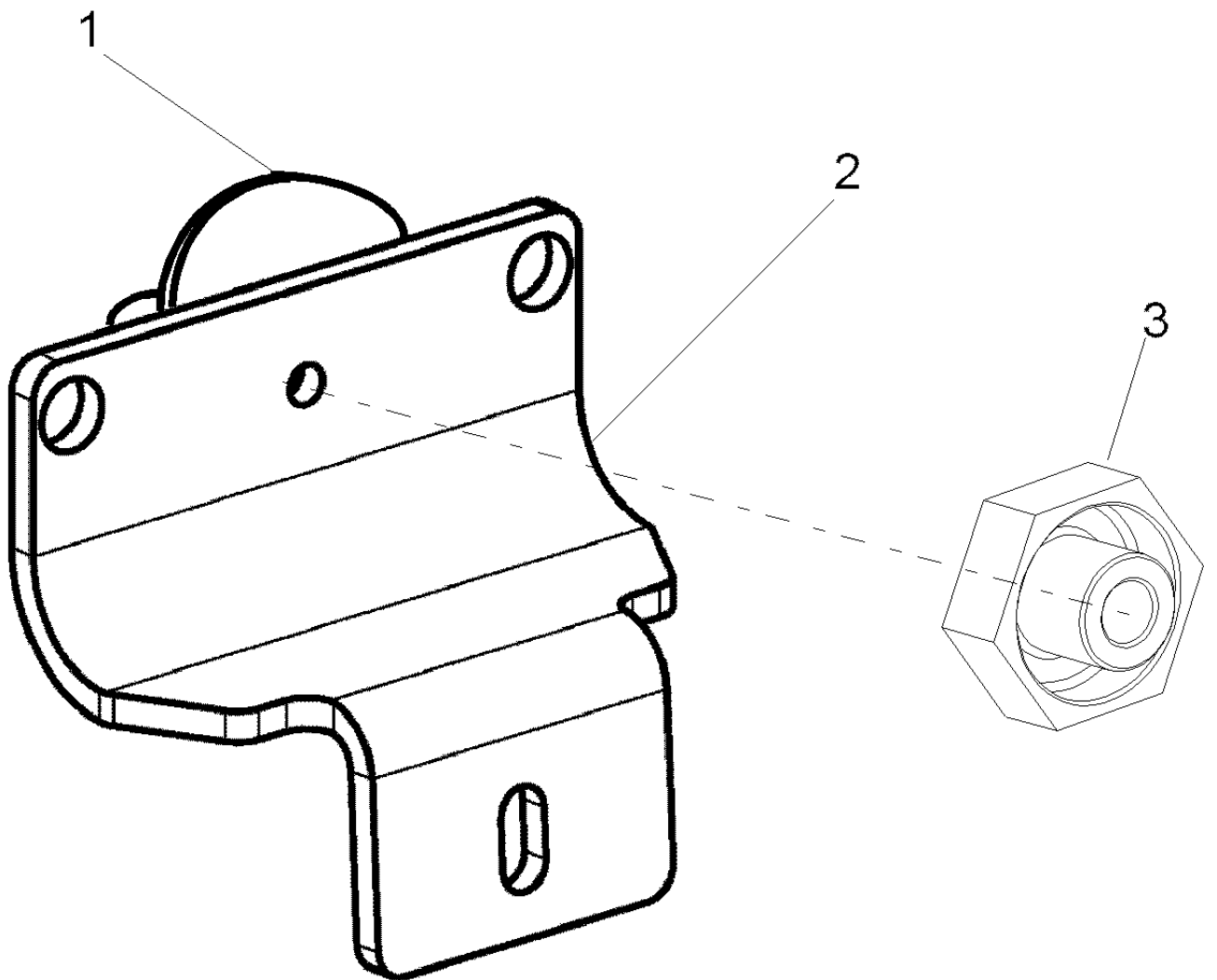
50104003040



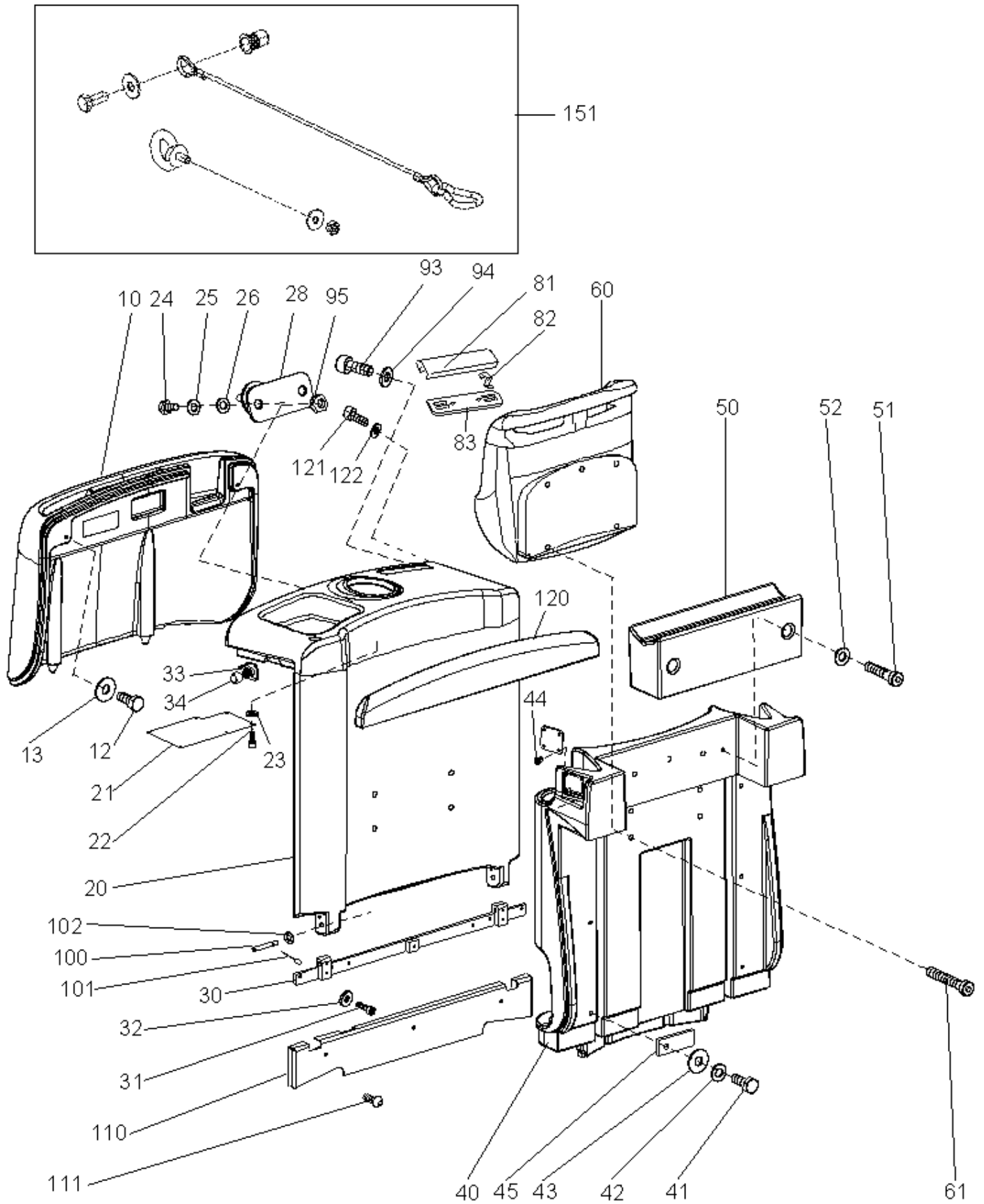


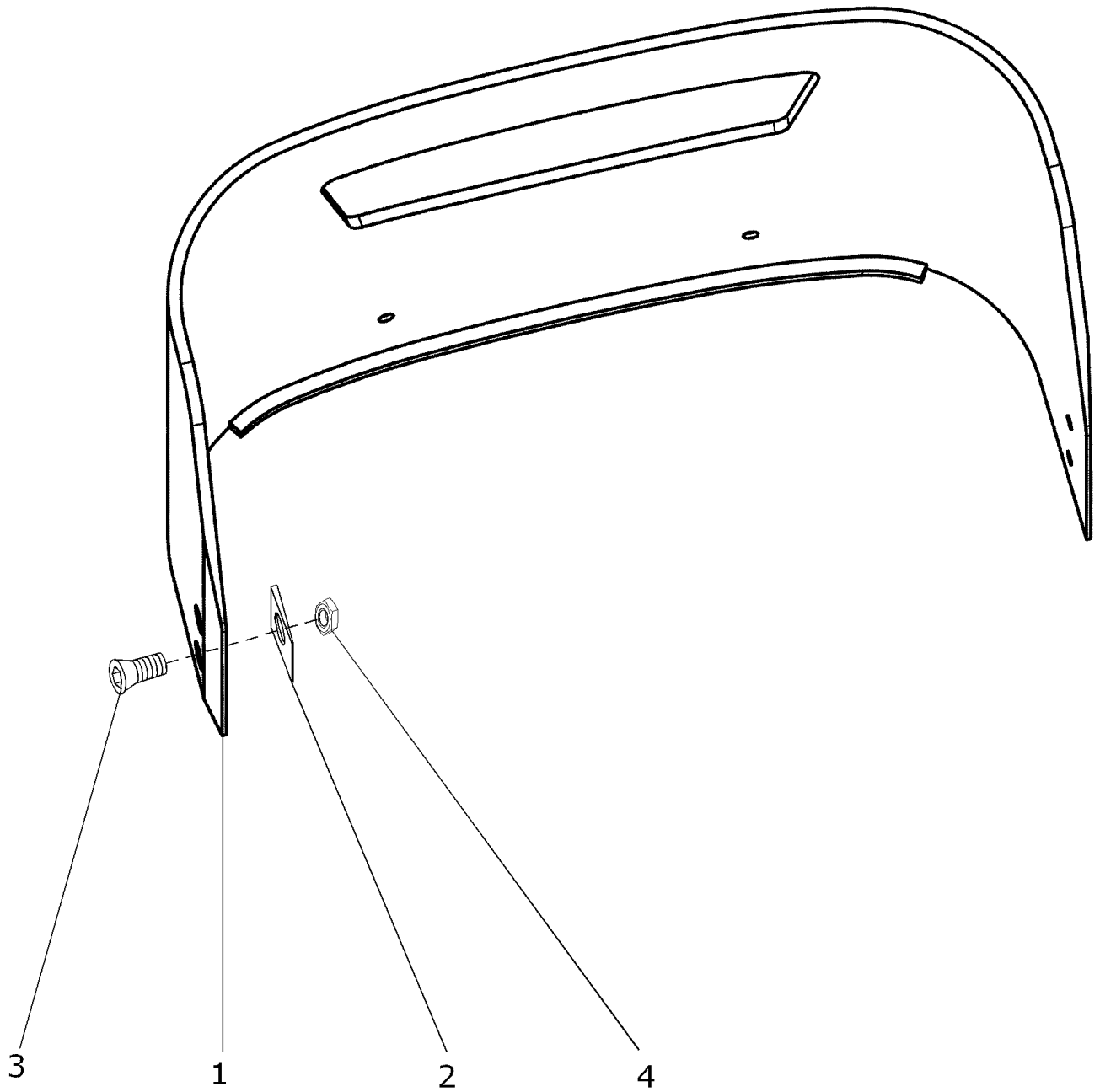
481411



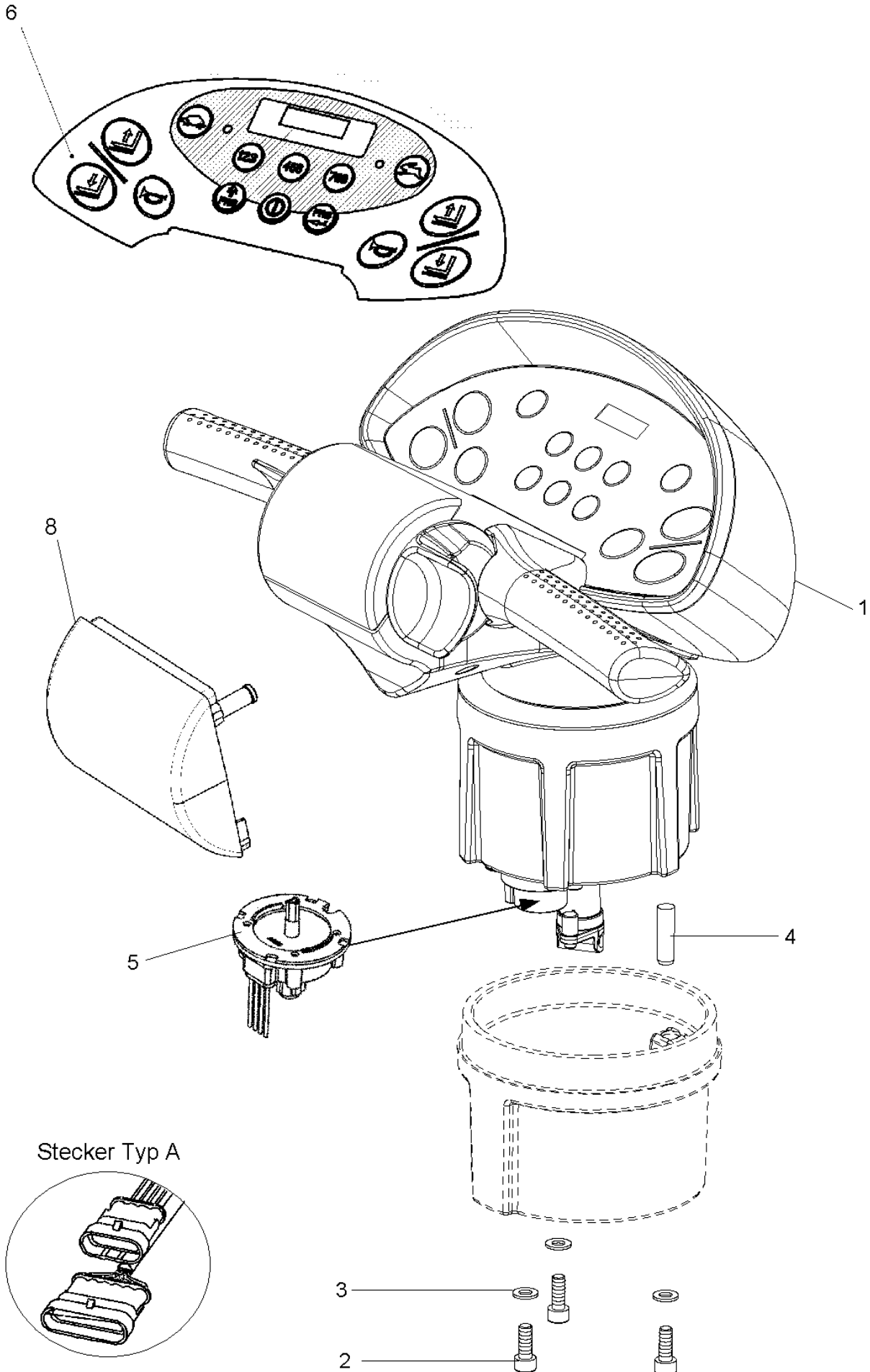


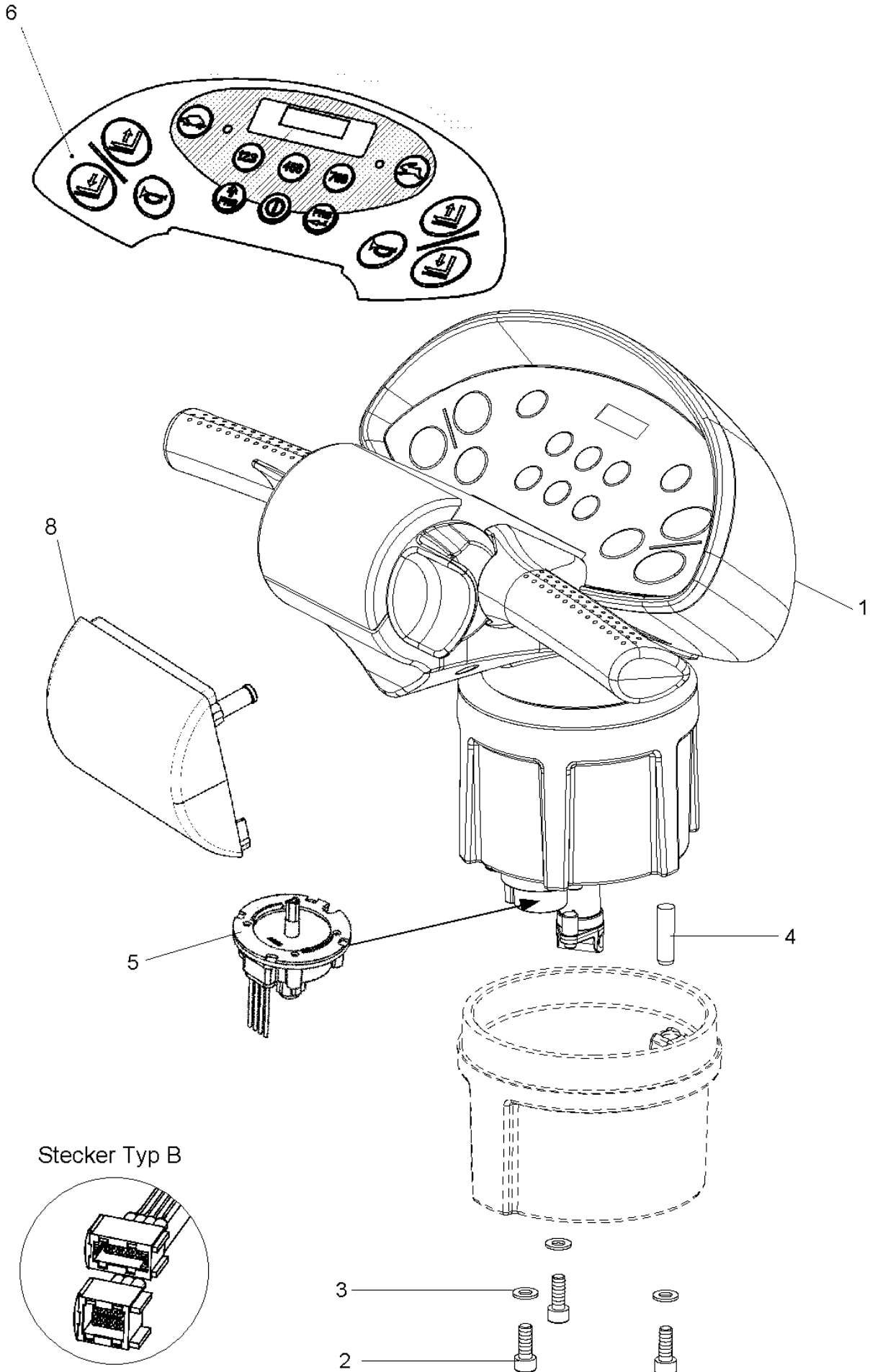
50104305200





482471





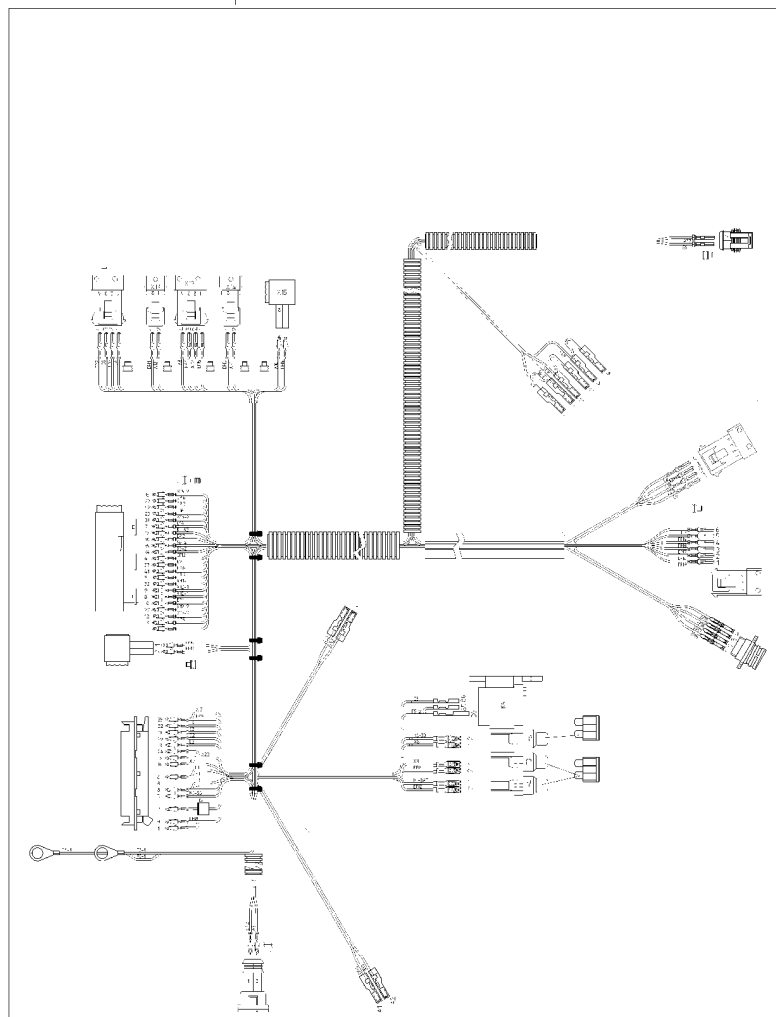
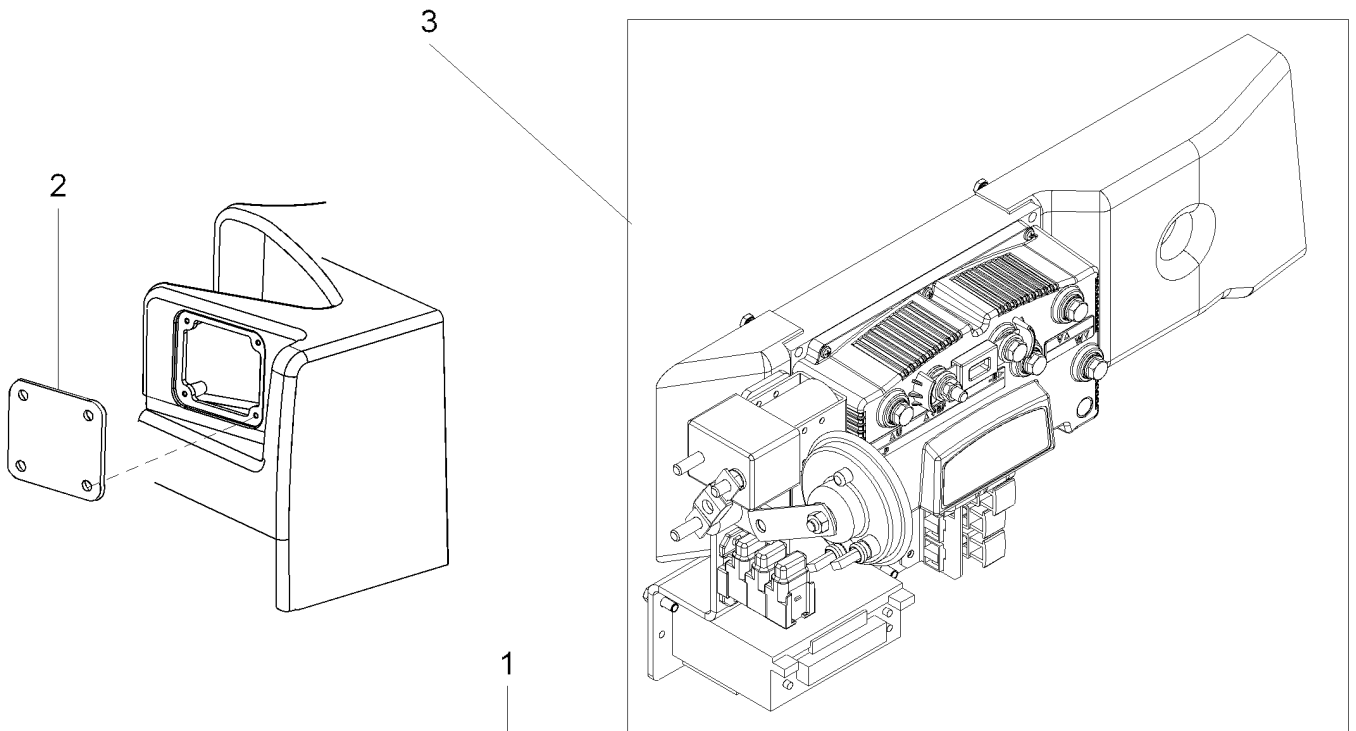
CLICK HERE TO **DOWNLOAD** THE COMPLETE MANUAL

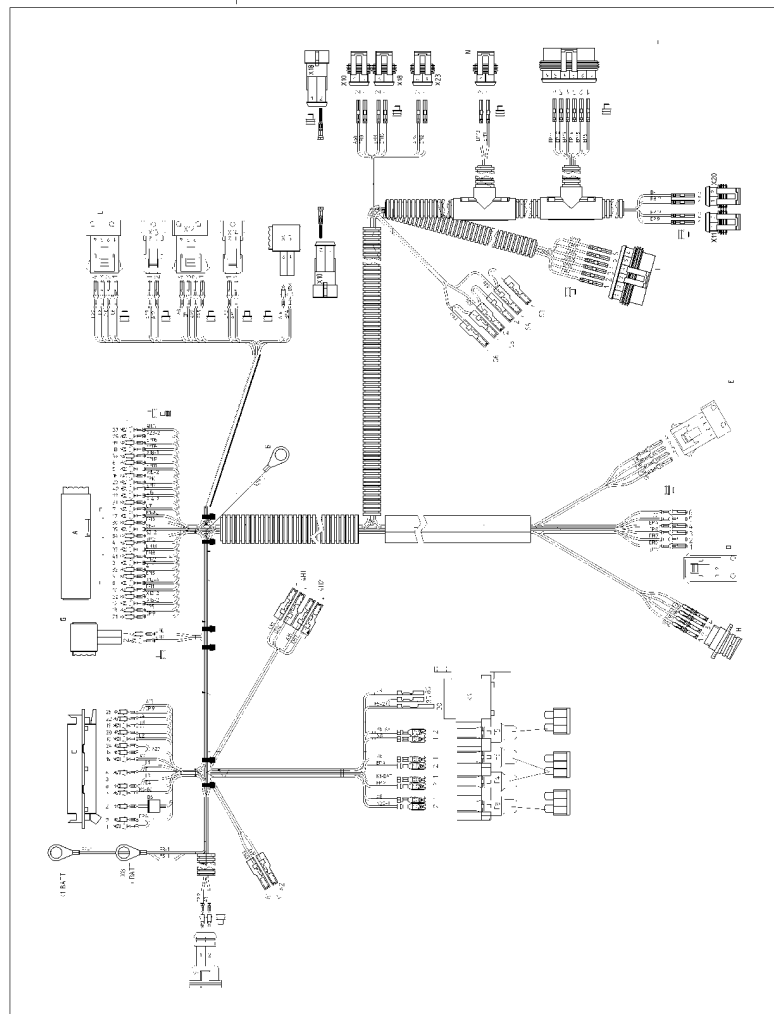
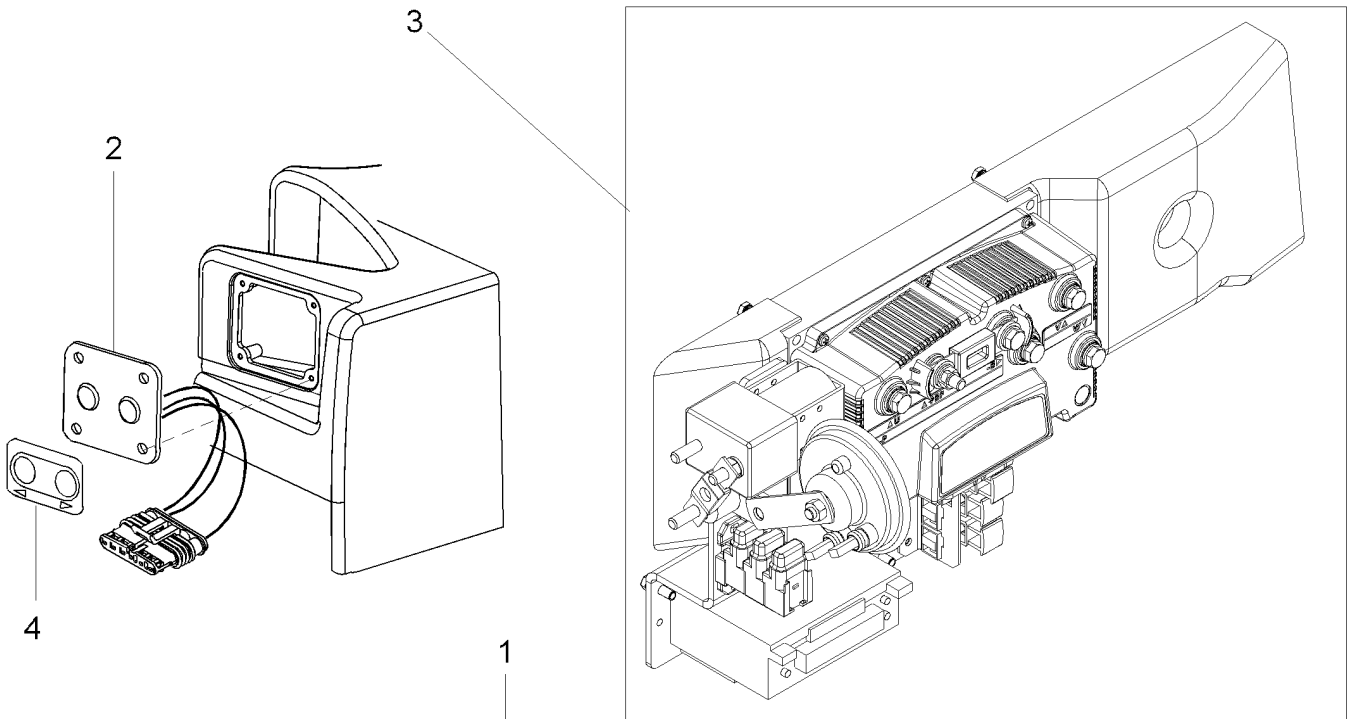
- Thank you very much for reading the preview of the manual.
- You can download the complete manual from: www.heydownloads.com by clicking the link below

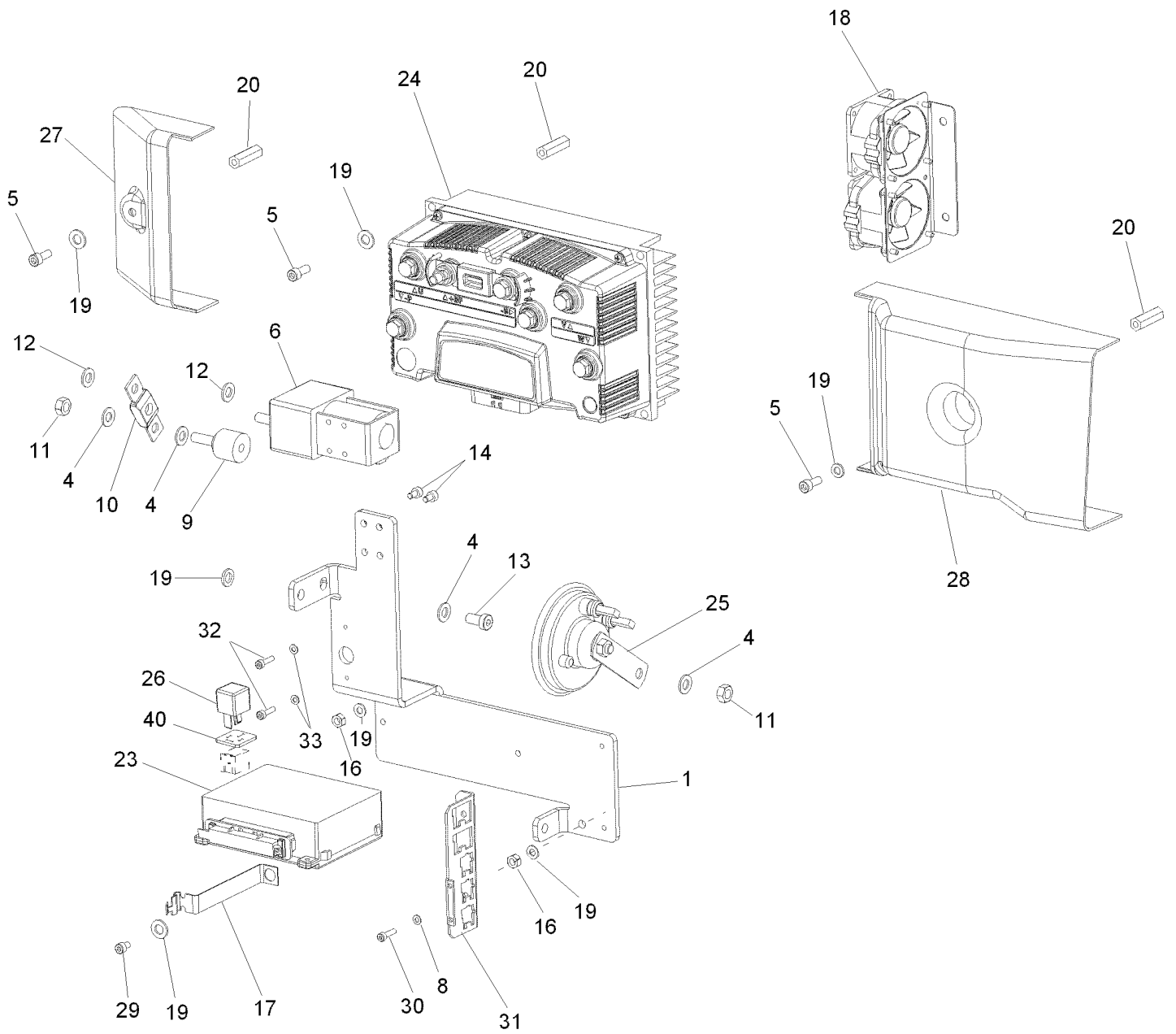


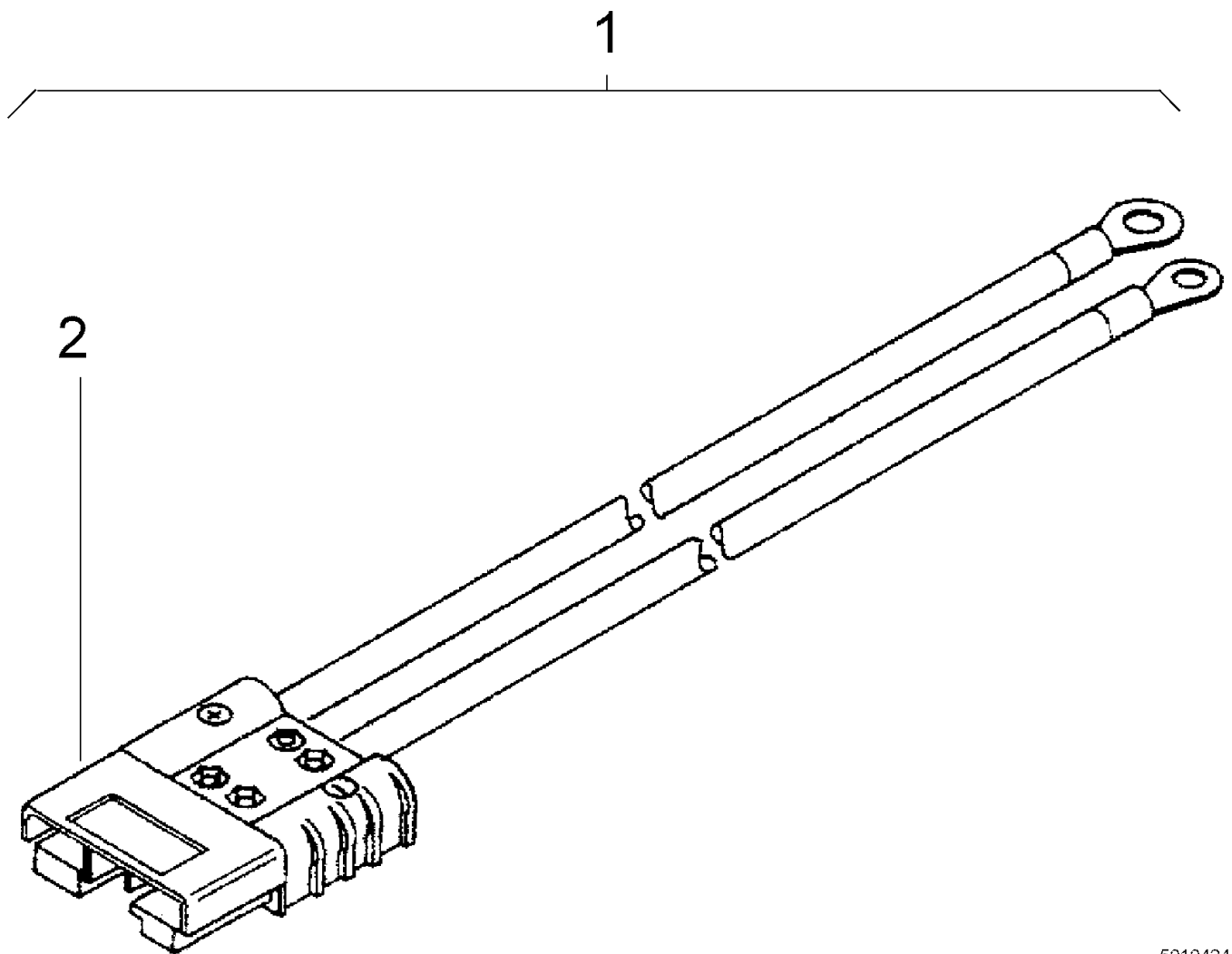
- Please note: If there is no response to CLICKING the link, please download this PDF first and then click on it.

CLICK HERE TO **DOWNLOAD** THE COMPLETE MANUAL

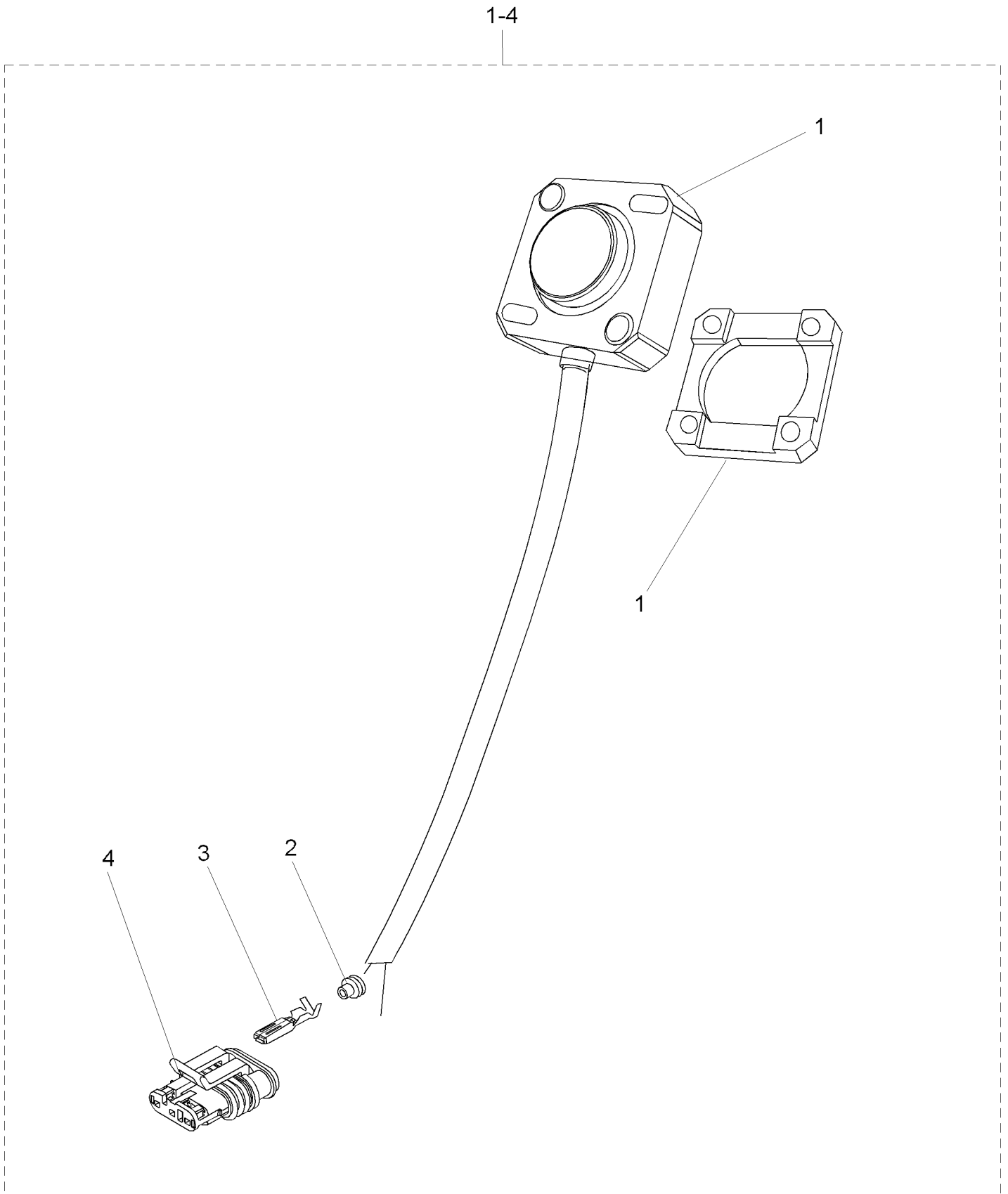




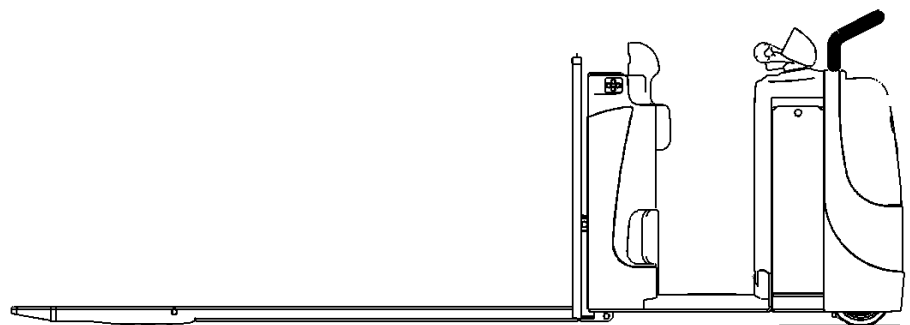
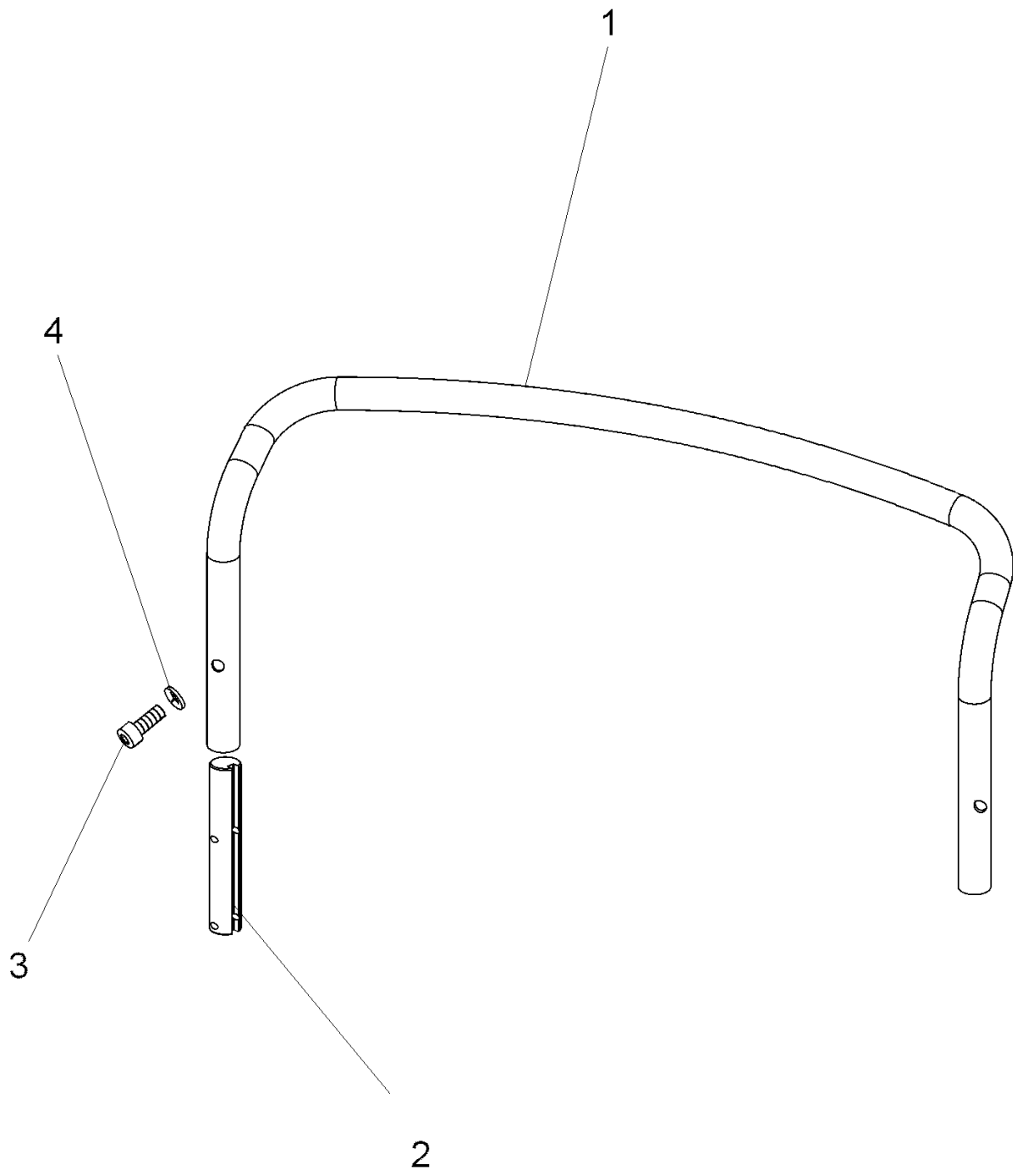




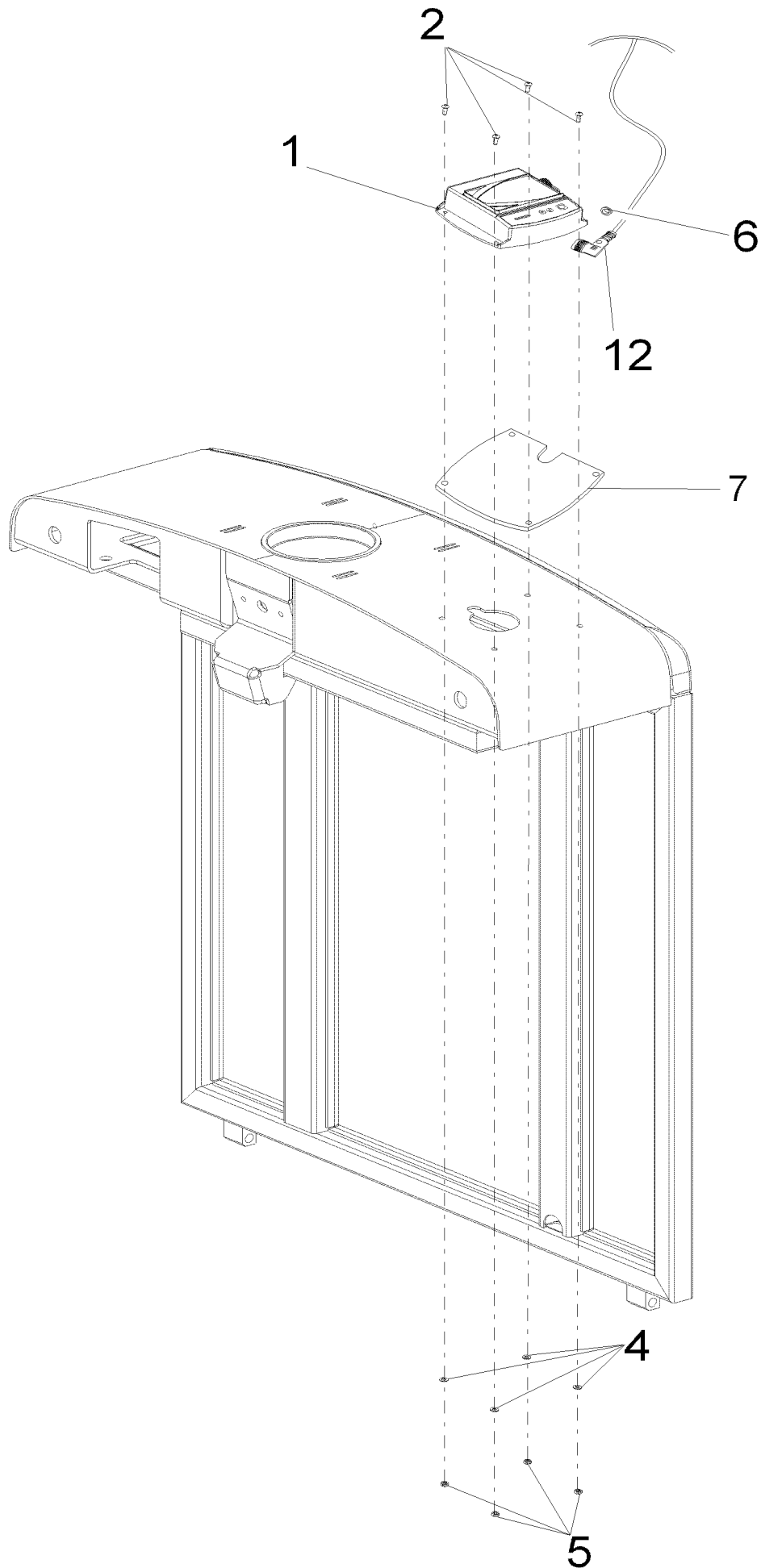
50104244002

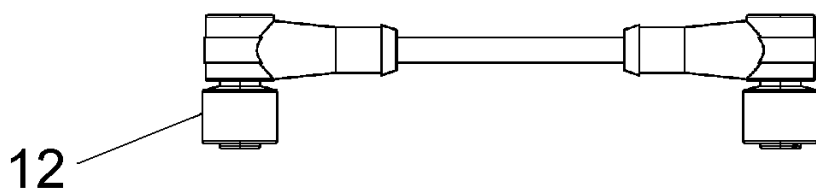
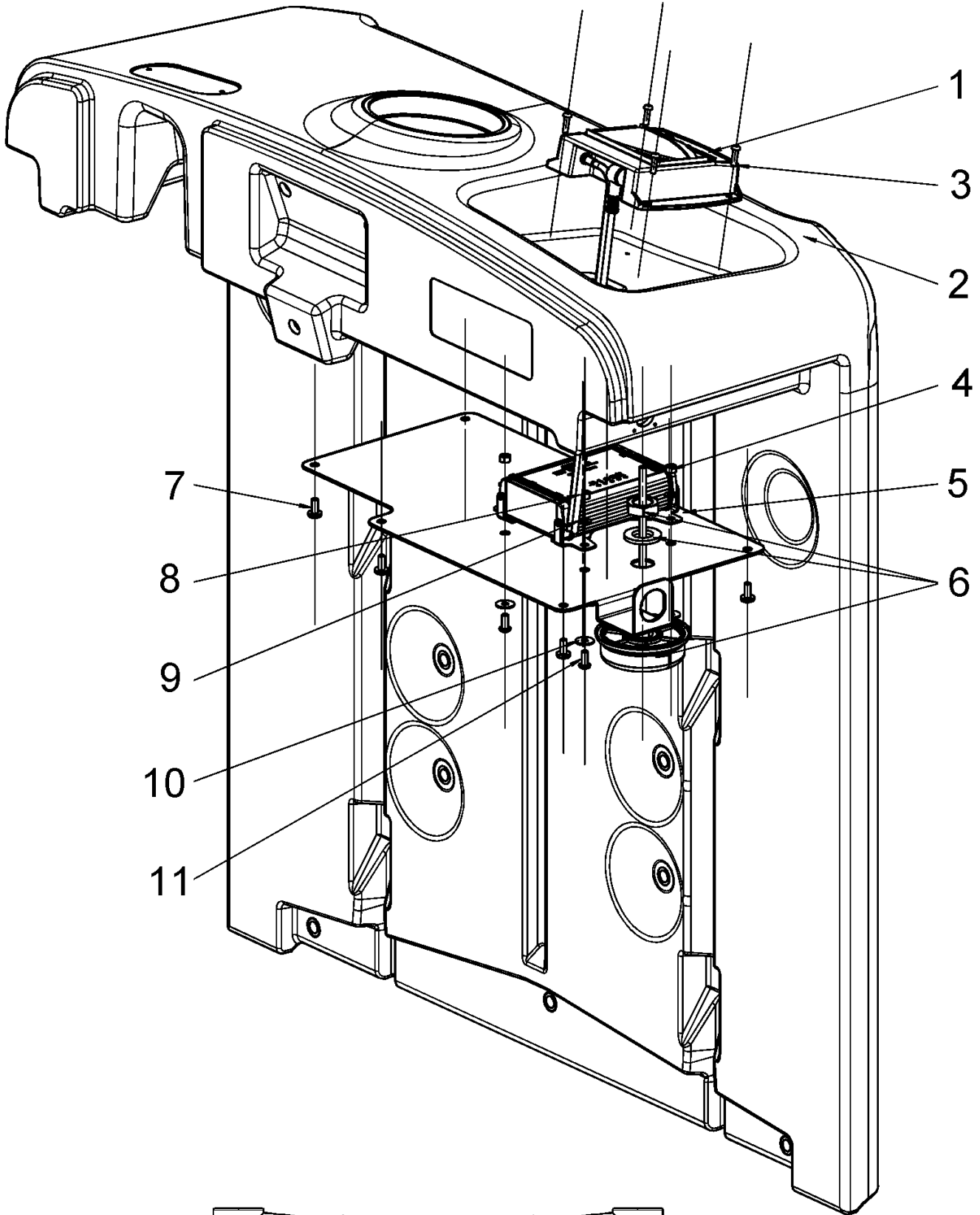


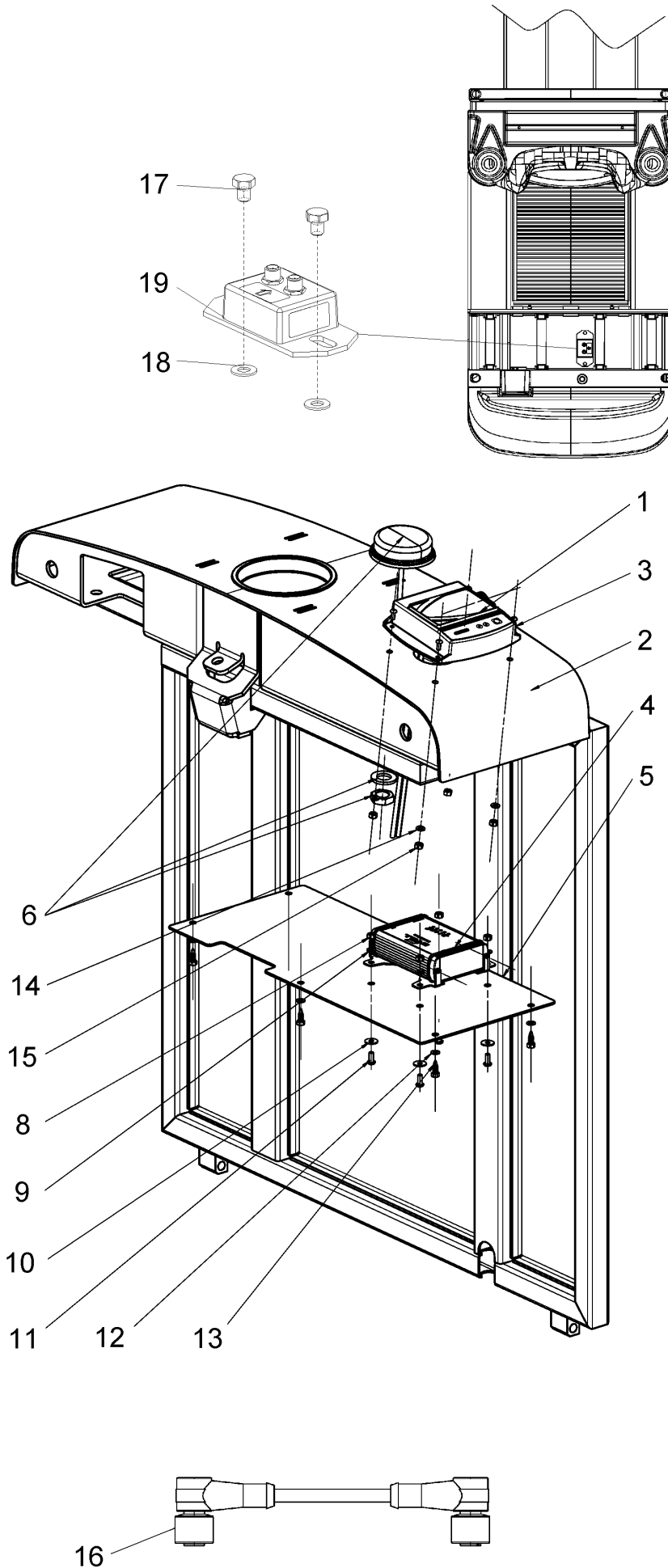
50103810311

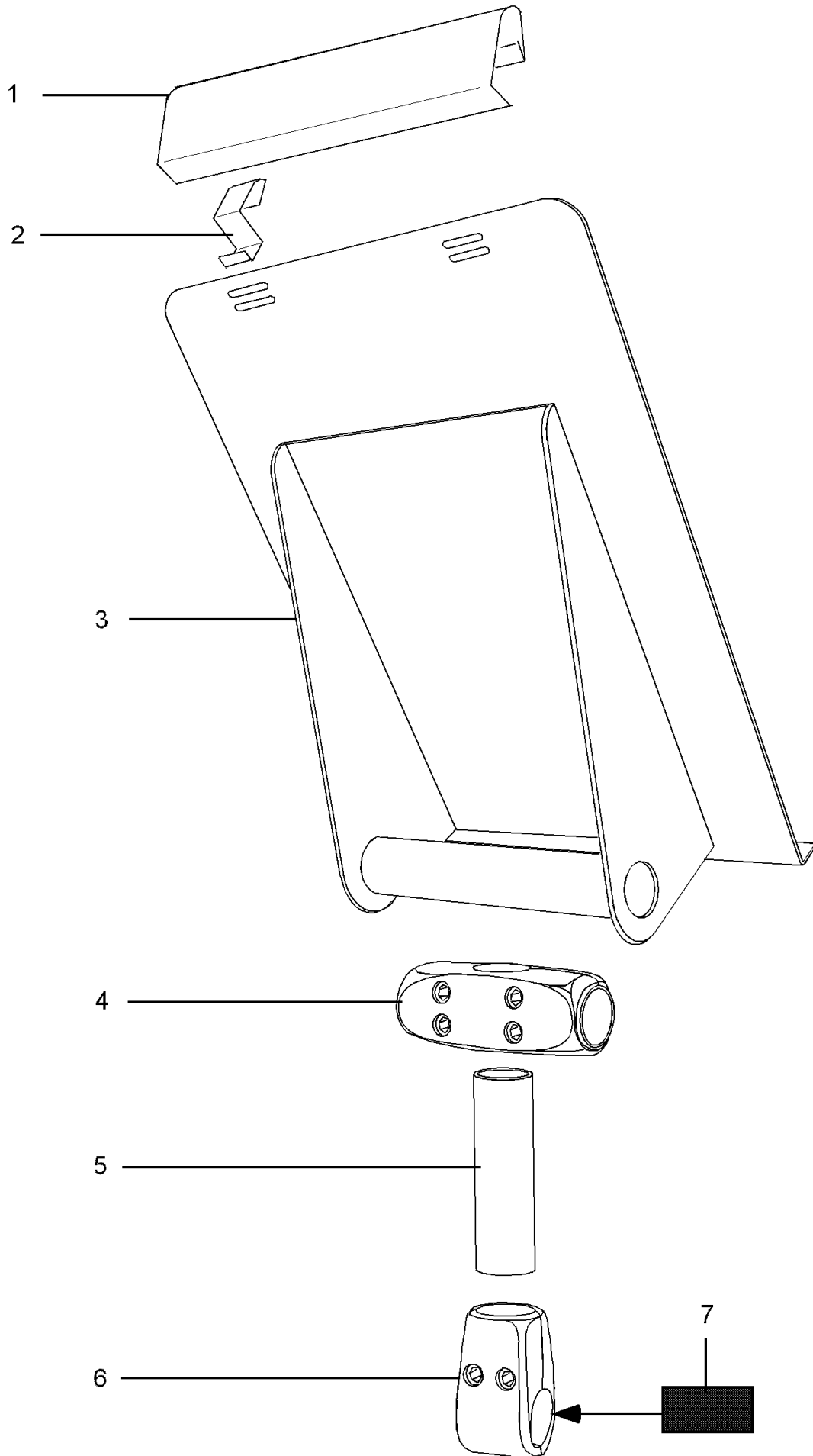


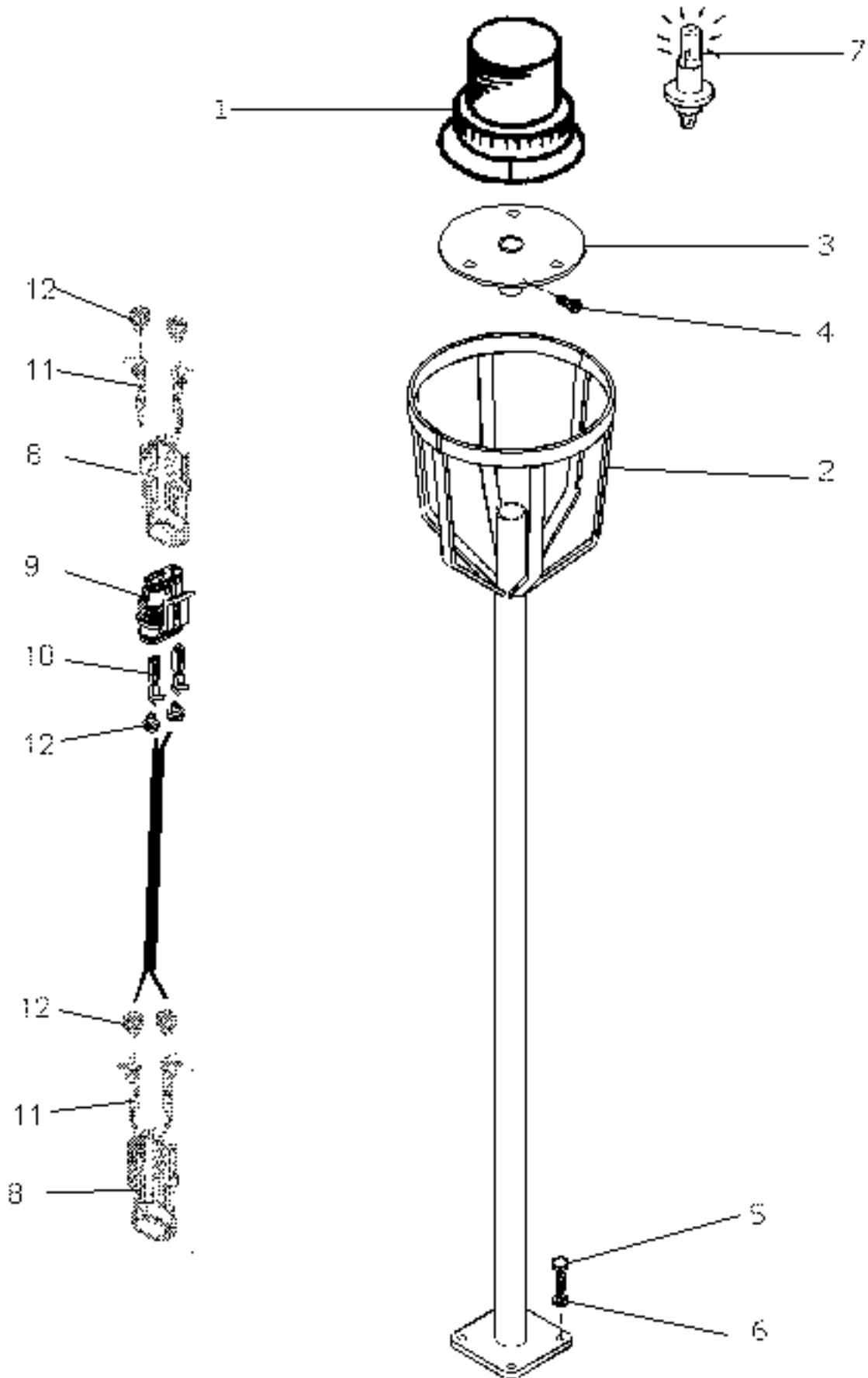
479410

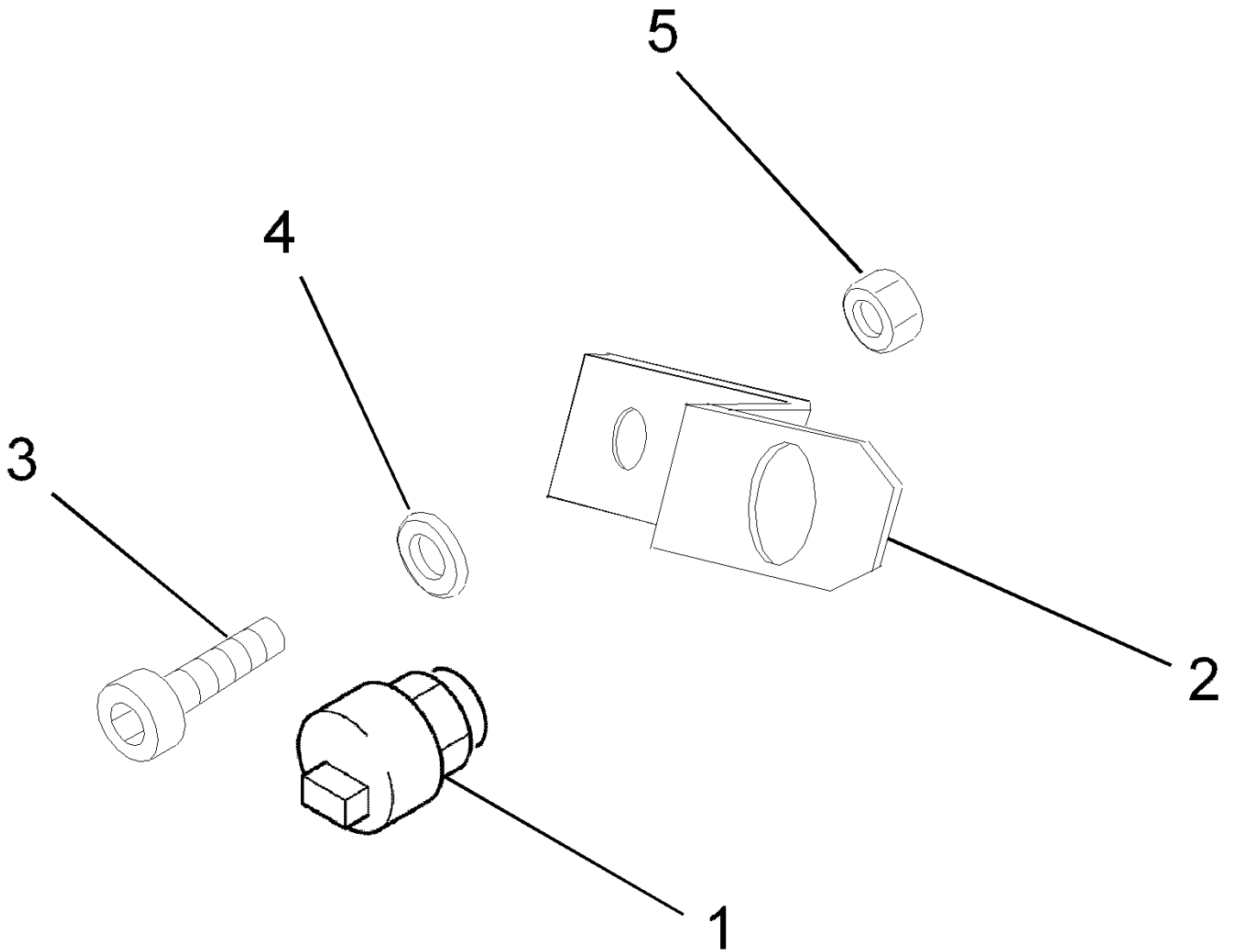












CLICK HERE TO **DOWNLOAD** THE COMPLETE MANUAL

- Thank you very much for reading the preview of the manual.
- You can download the complete manual from: www.heydownloads.com by clicking the link below



- Please note: If there is no response to CLICKING the link, please download this PDF first and then click on it.

CLICK HERE TO **DOWNLOAD** THE COMPLETE MANUAL