

## ERSATZTEILLISTE

Spare Parts List  
Catalogue de pièces de rechange  
Catalogo parti di ricambio  
Catalogo de recambio

## TRAKTOR

Tractor  
Tracteur  
Tractor  
Trattore

## STILL ELECTRONIC DOCUMENTATION SYSTEM

# CX-T



Ident-Nr. 51048069000 - 01.10

CX-T - 71 1050 A XXXXX

CLICK HERE TO **DOWNLOAD** THE COMPLETE MANUAL

- Thank you very much for reading the preview of the manual.
- You can download the complete manual from: [www.heydownloads.com](http://www.heydownloads.com) by clicking the link below

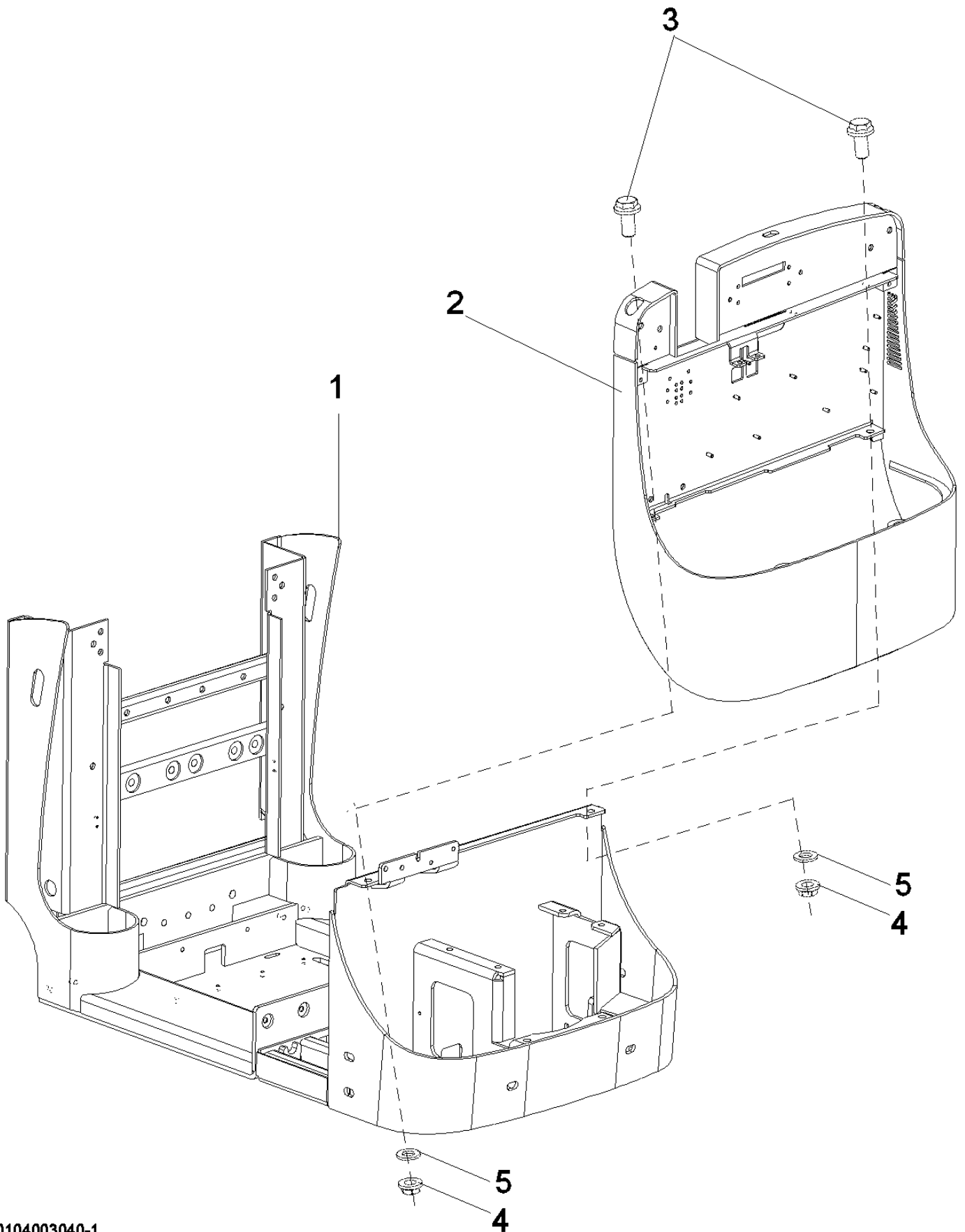


- Please note: If there is no response to CLICKING the link, please download this PDF first and then click on it.

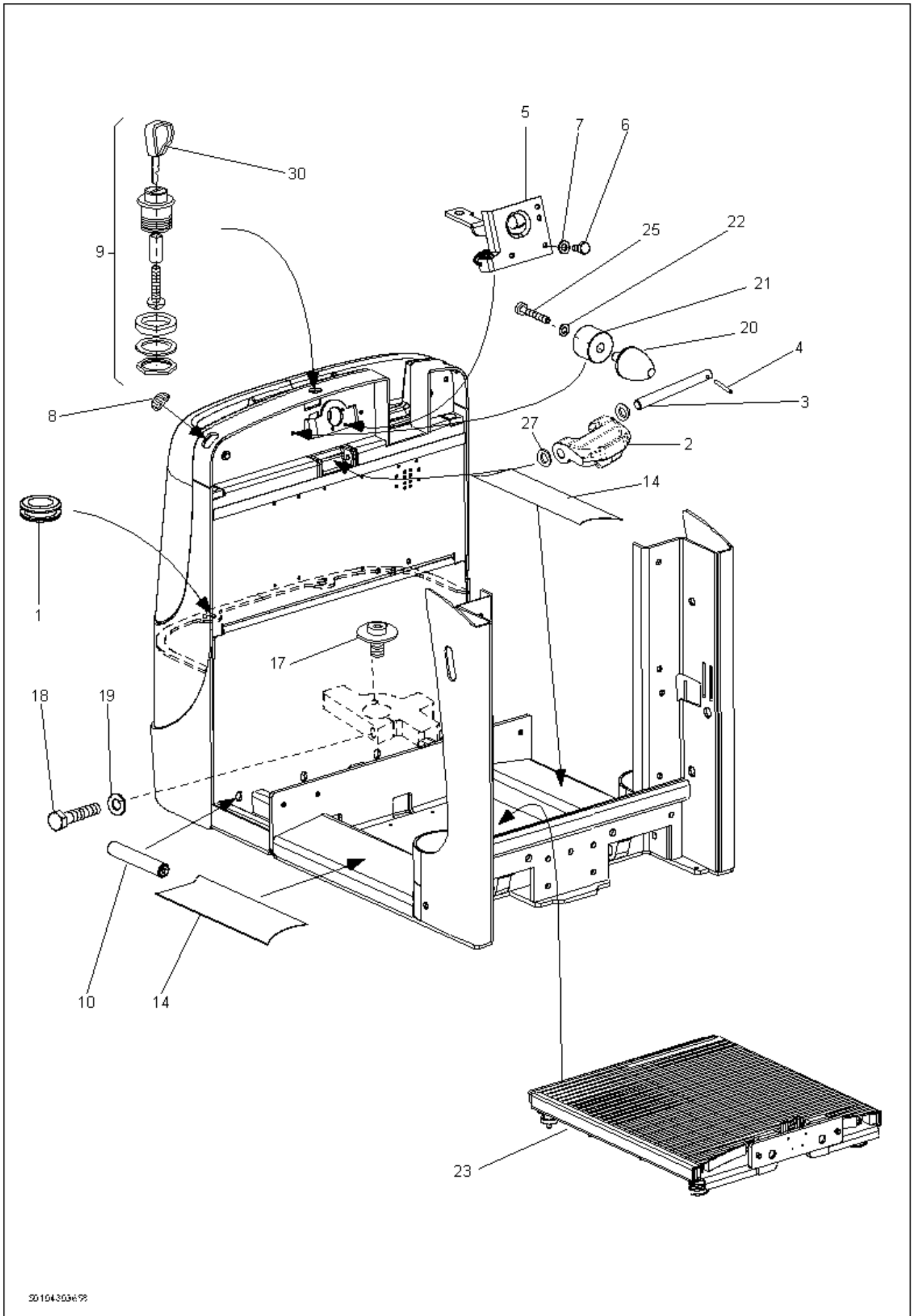
CLICK HERE TO **DOWNLOAD** THE COMPLETE MANUAL



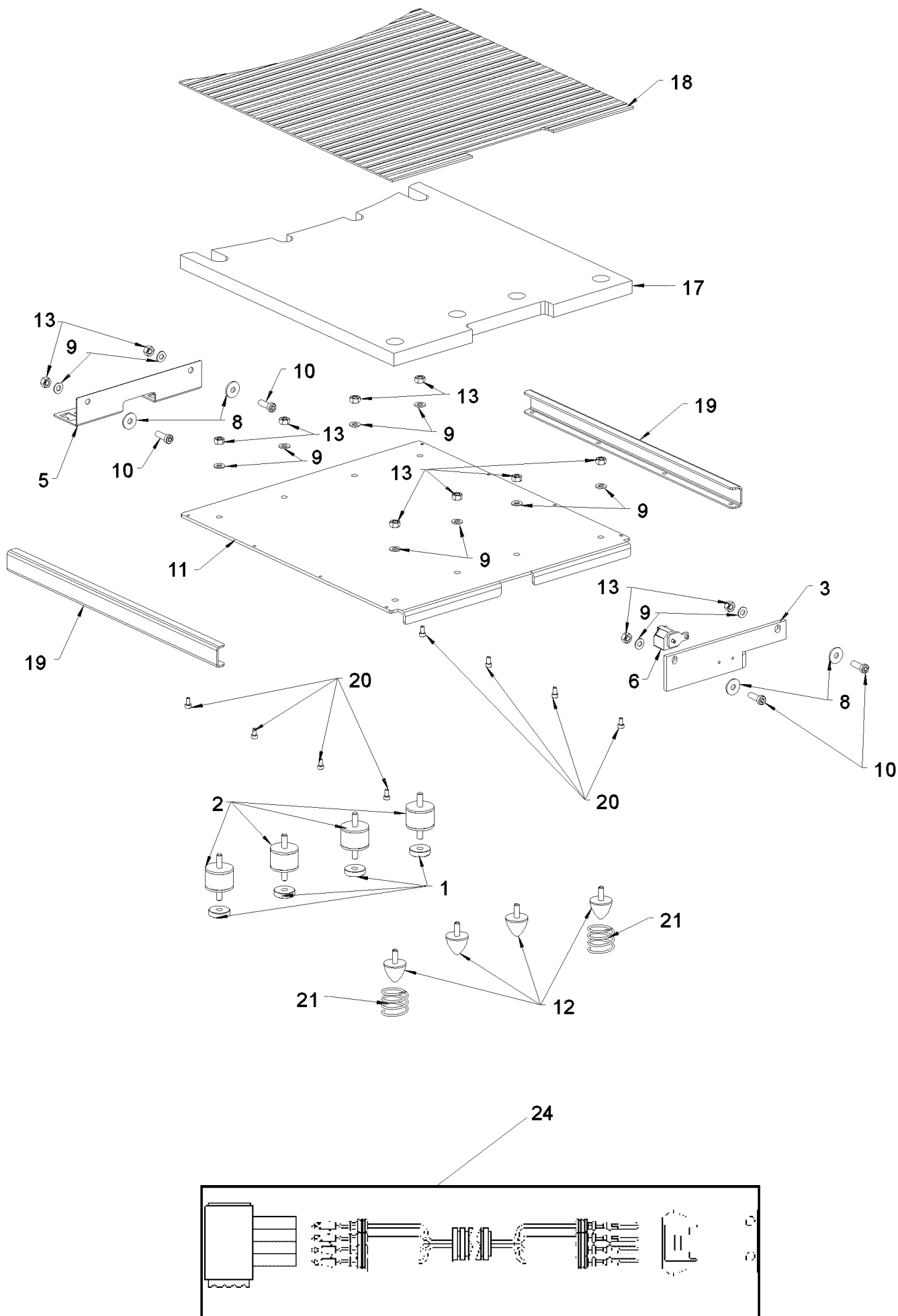


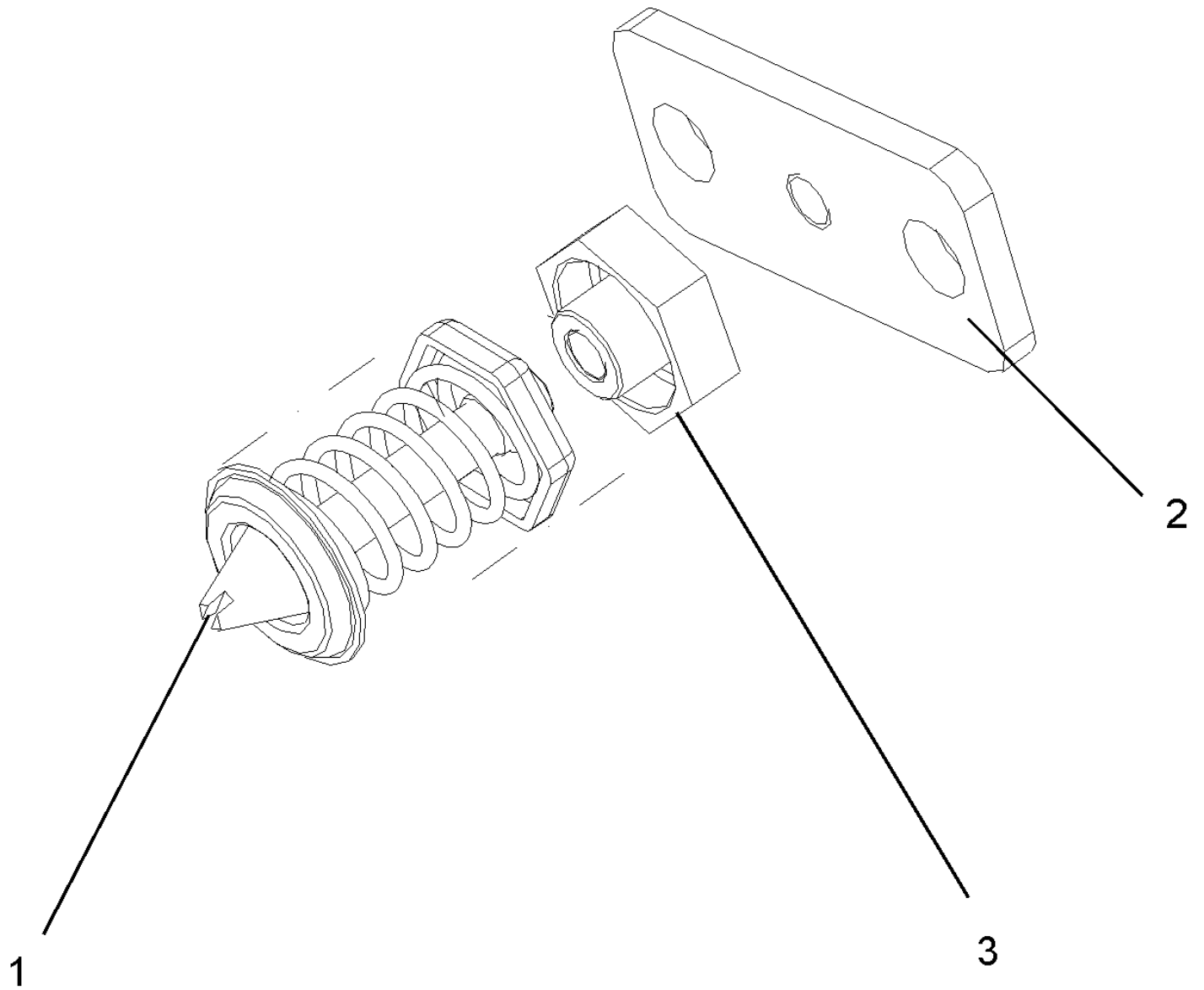


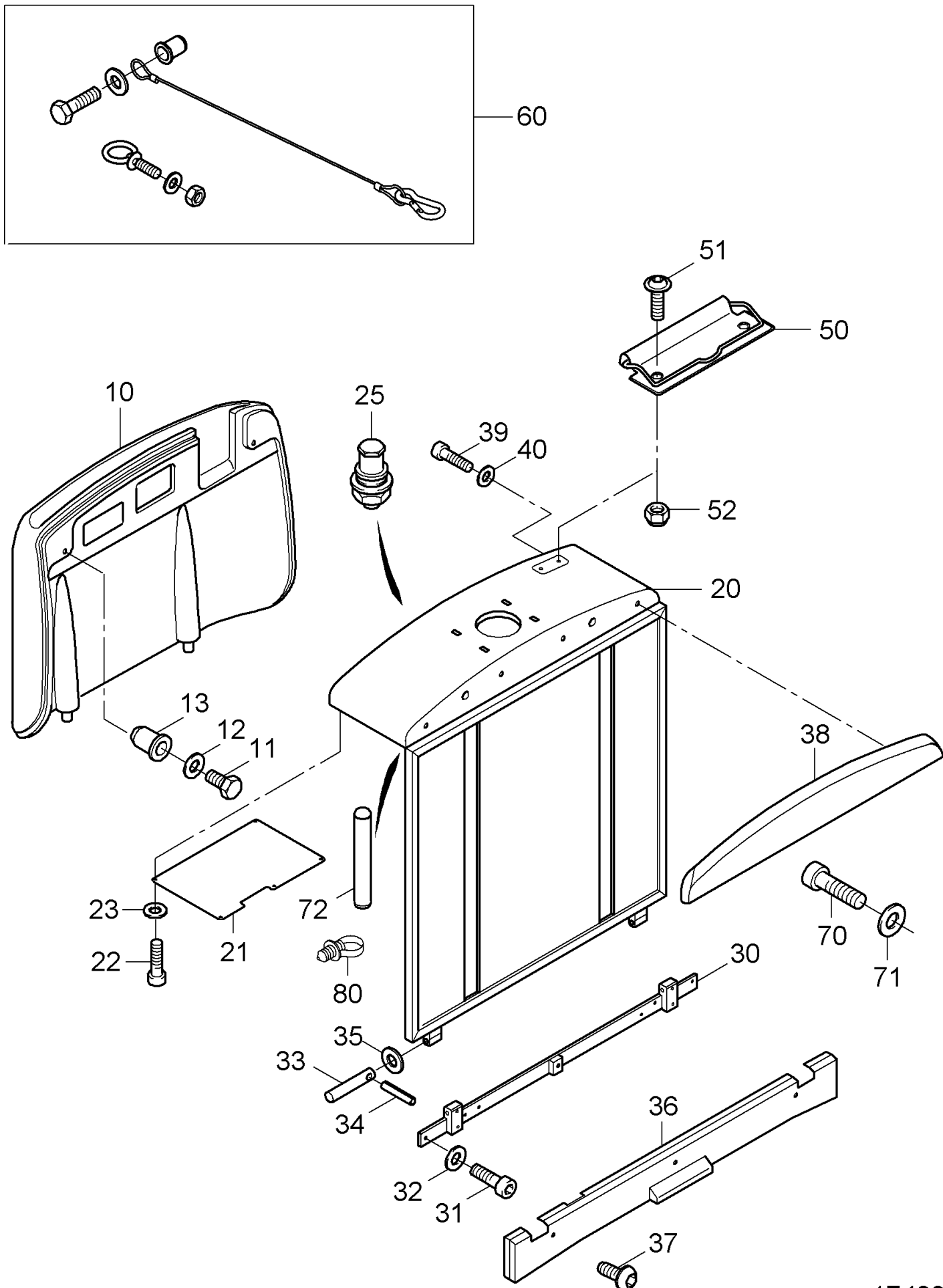
50104003040-1



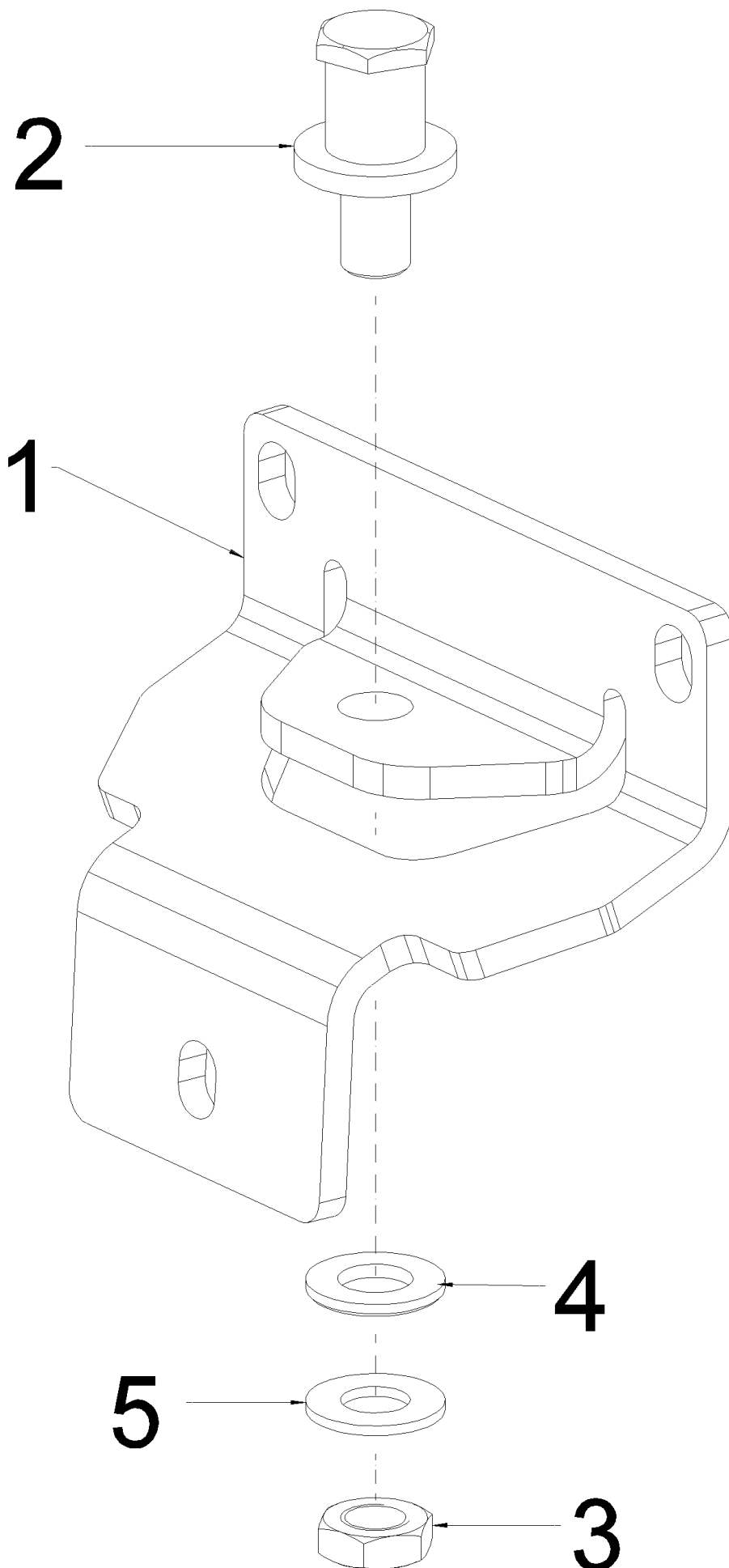
20104303e 99



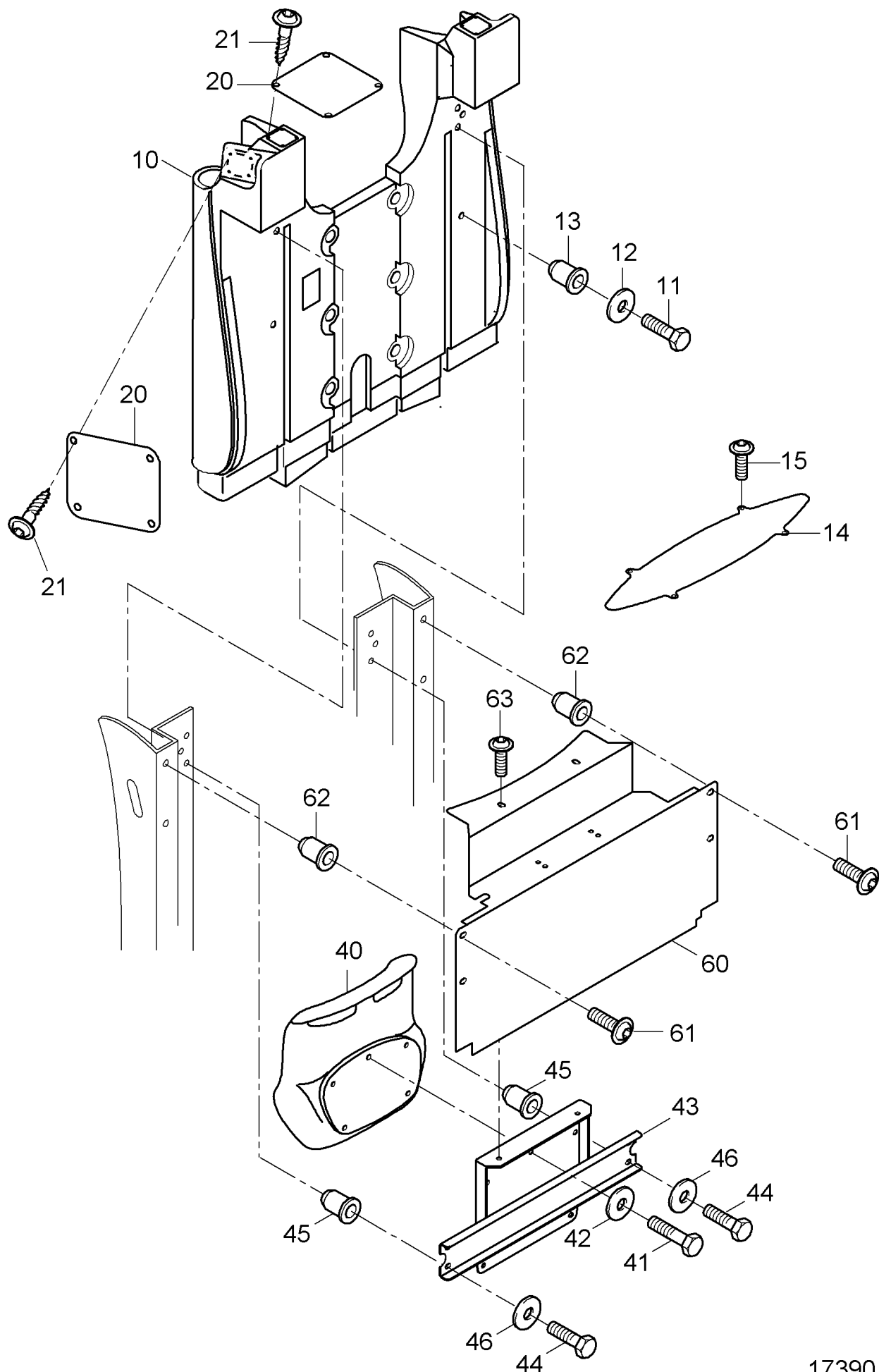




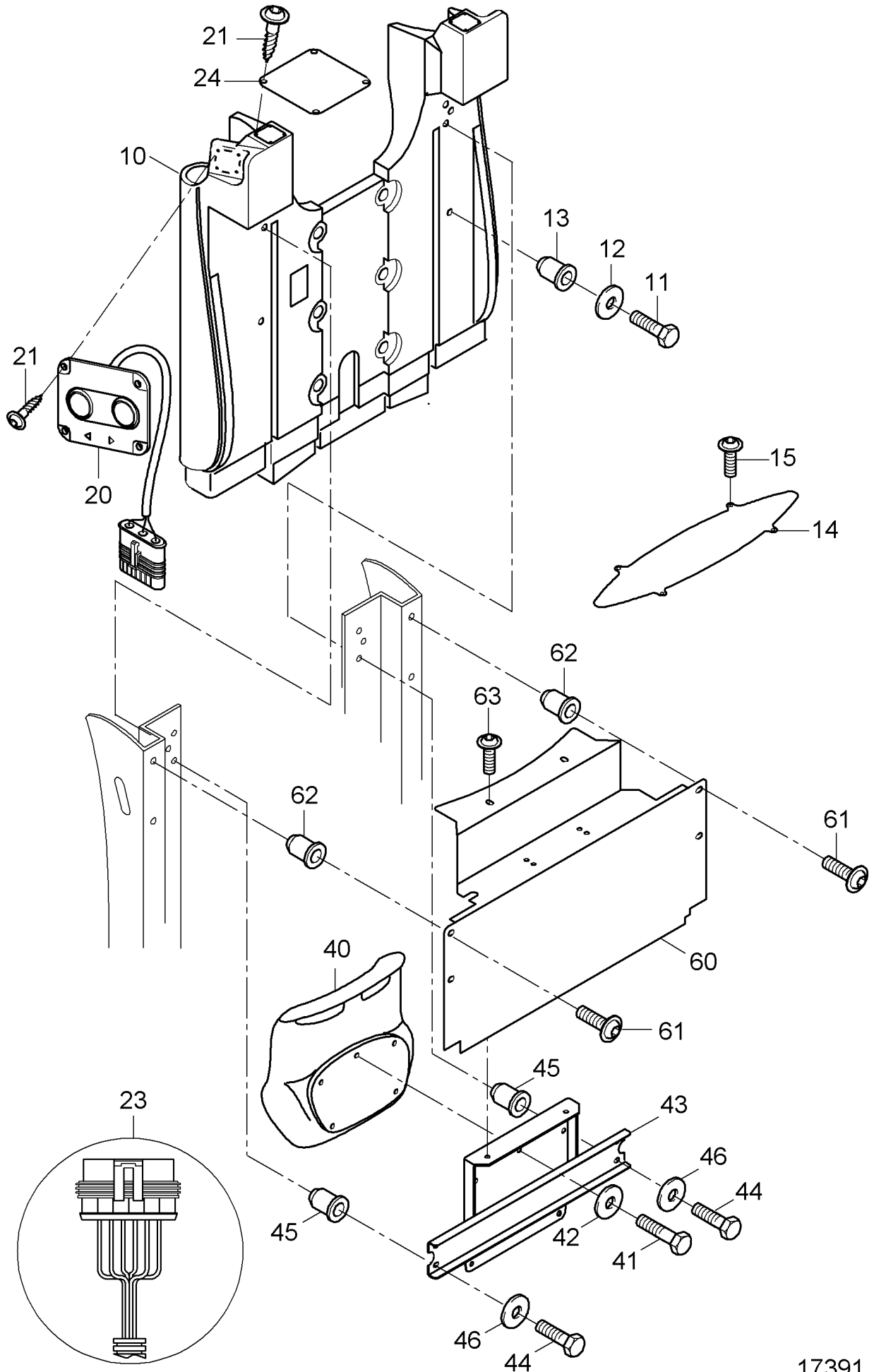
17403



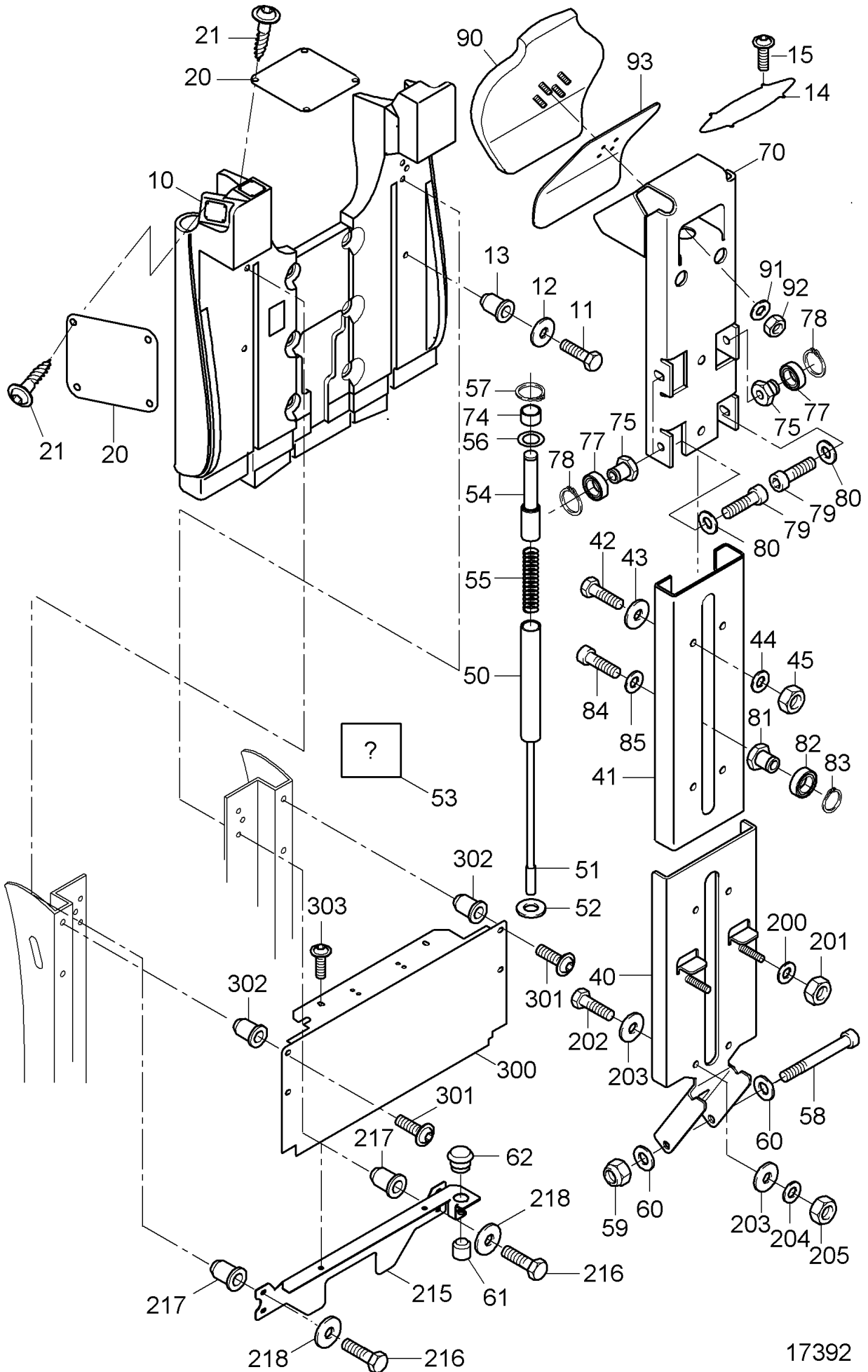




17390

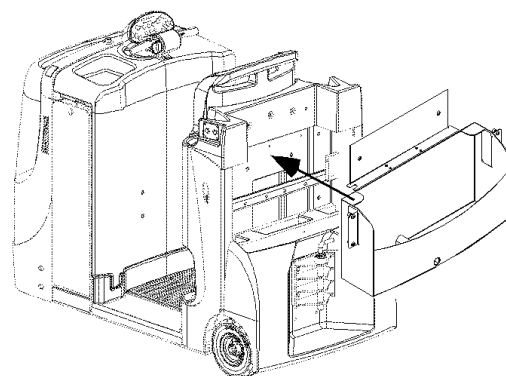
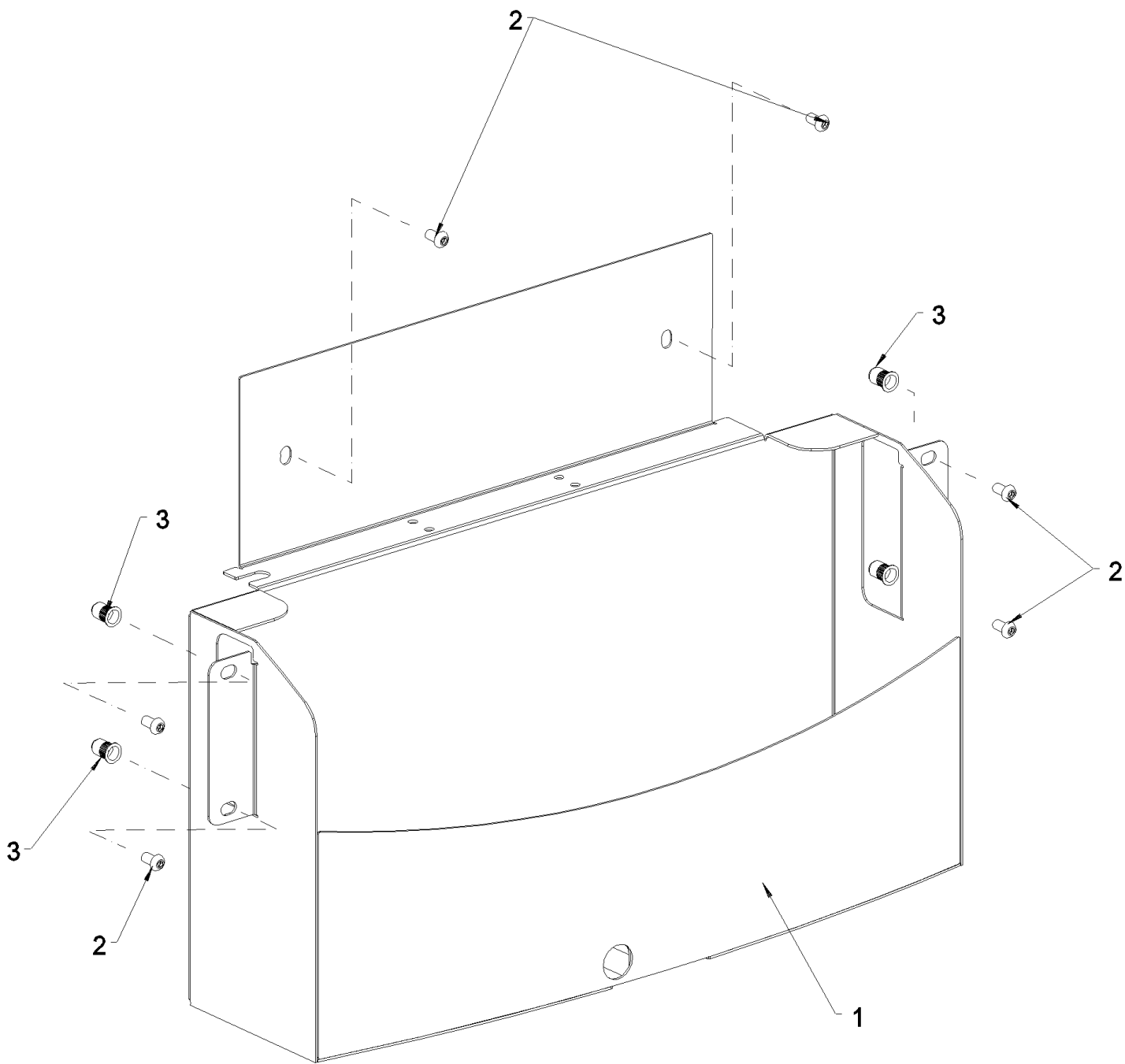


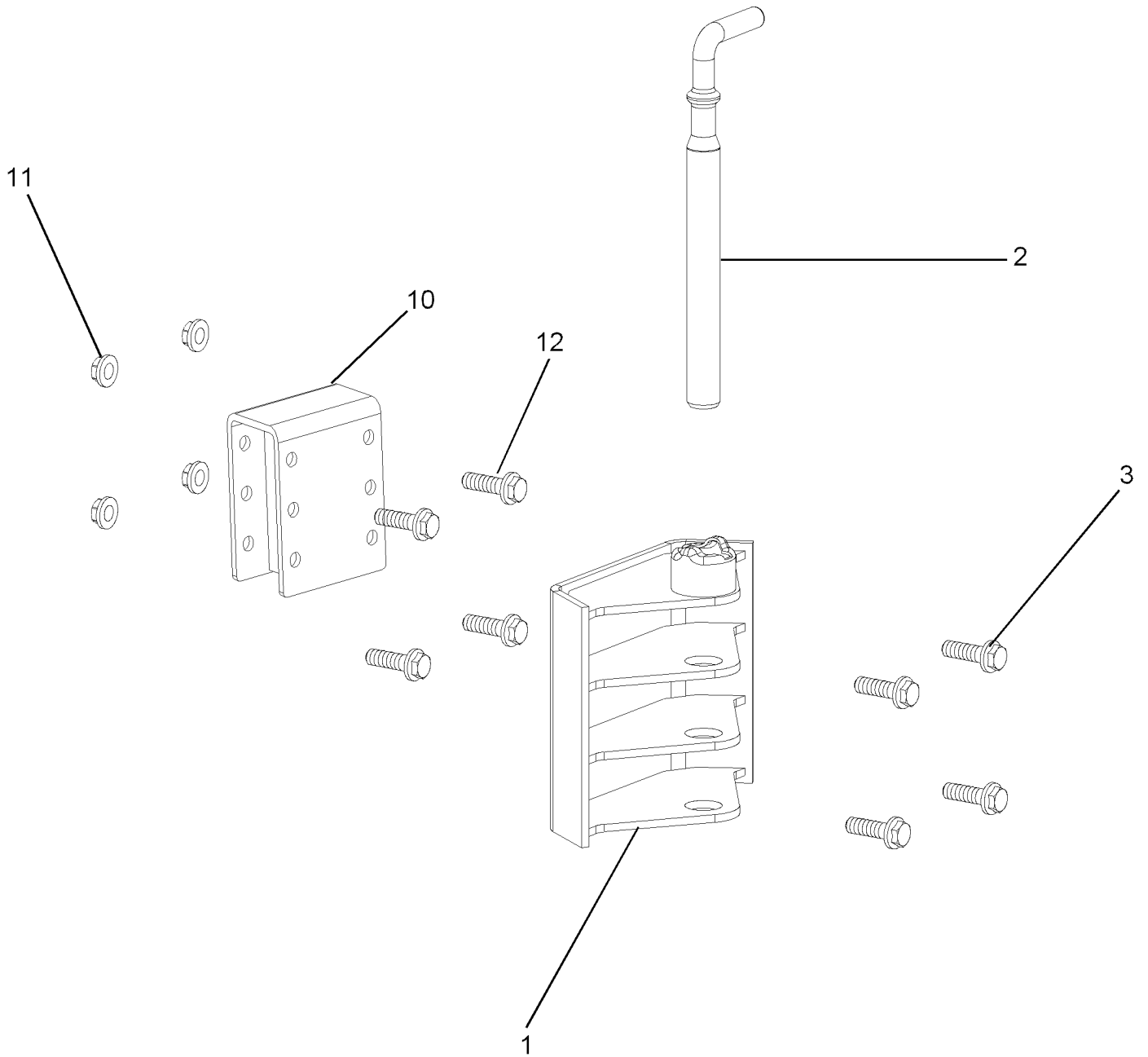
17391



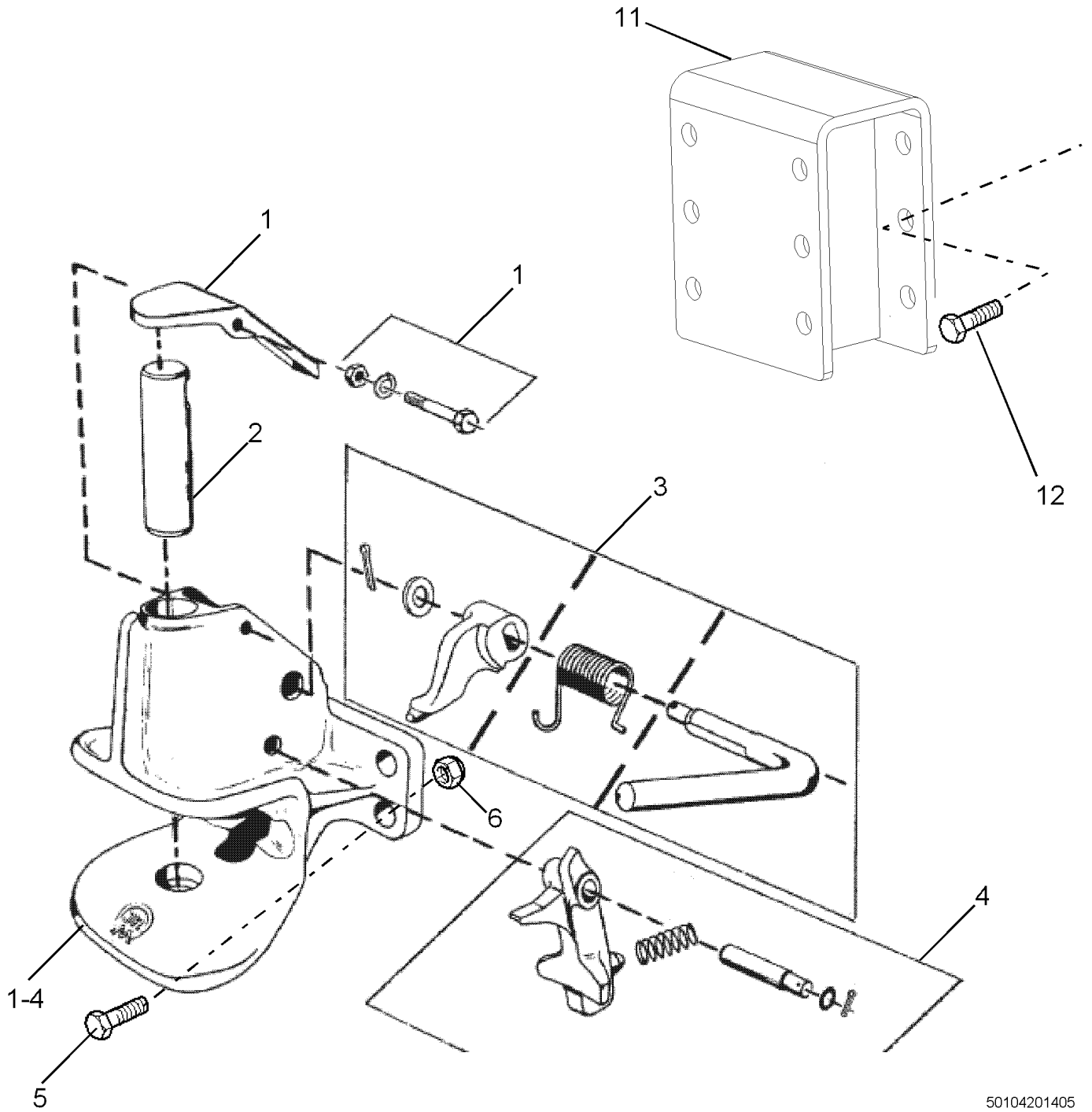
17392



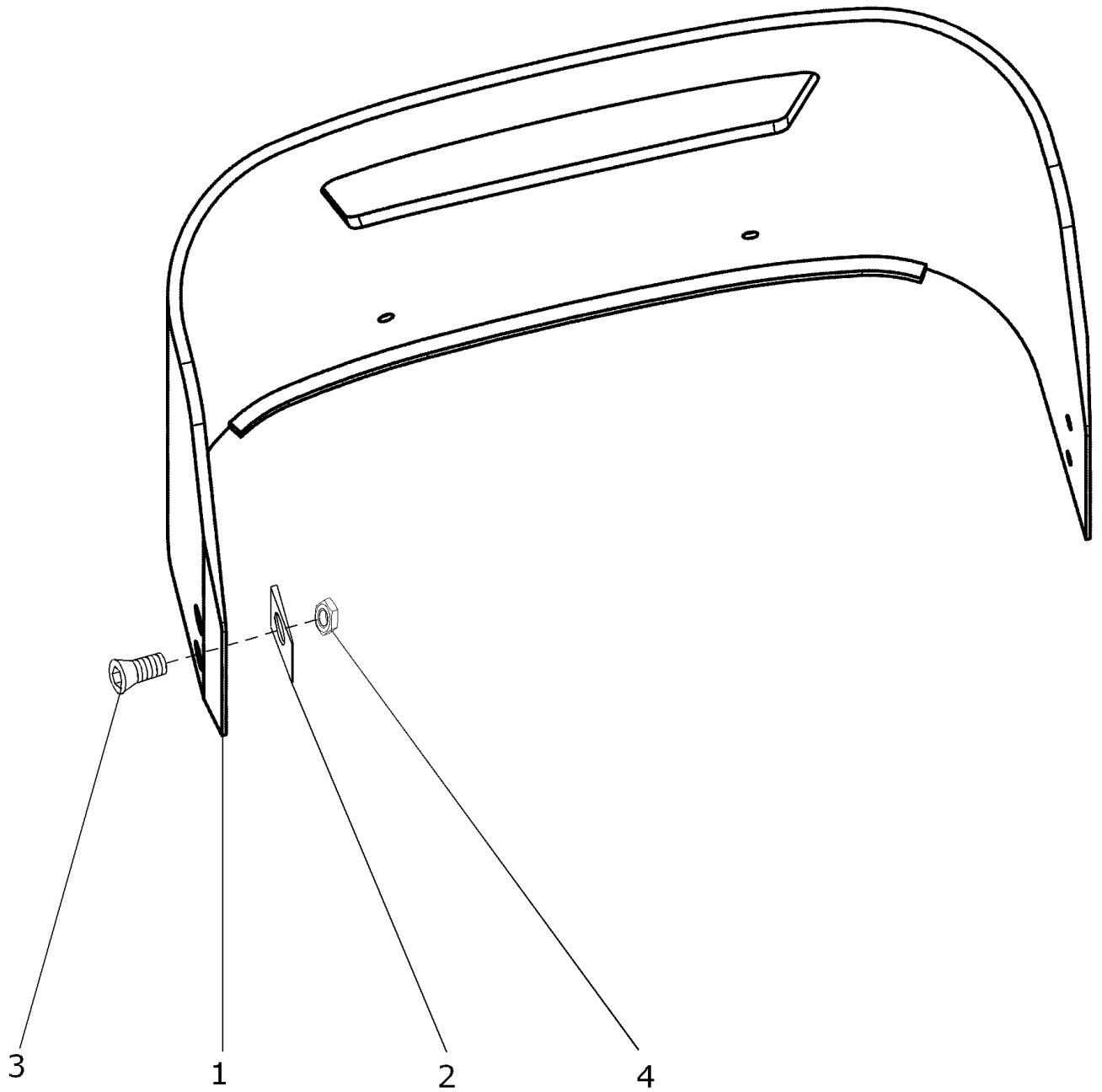




50104201403



50104201405



482471

CLICK HERE TO **DOWNLOAD** THE COMPLETE MANUAL

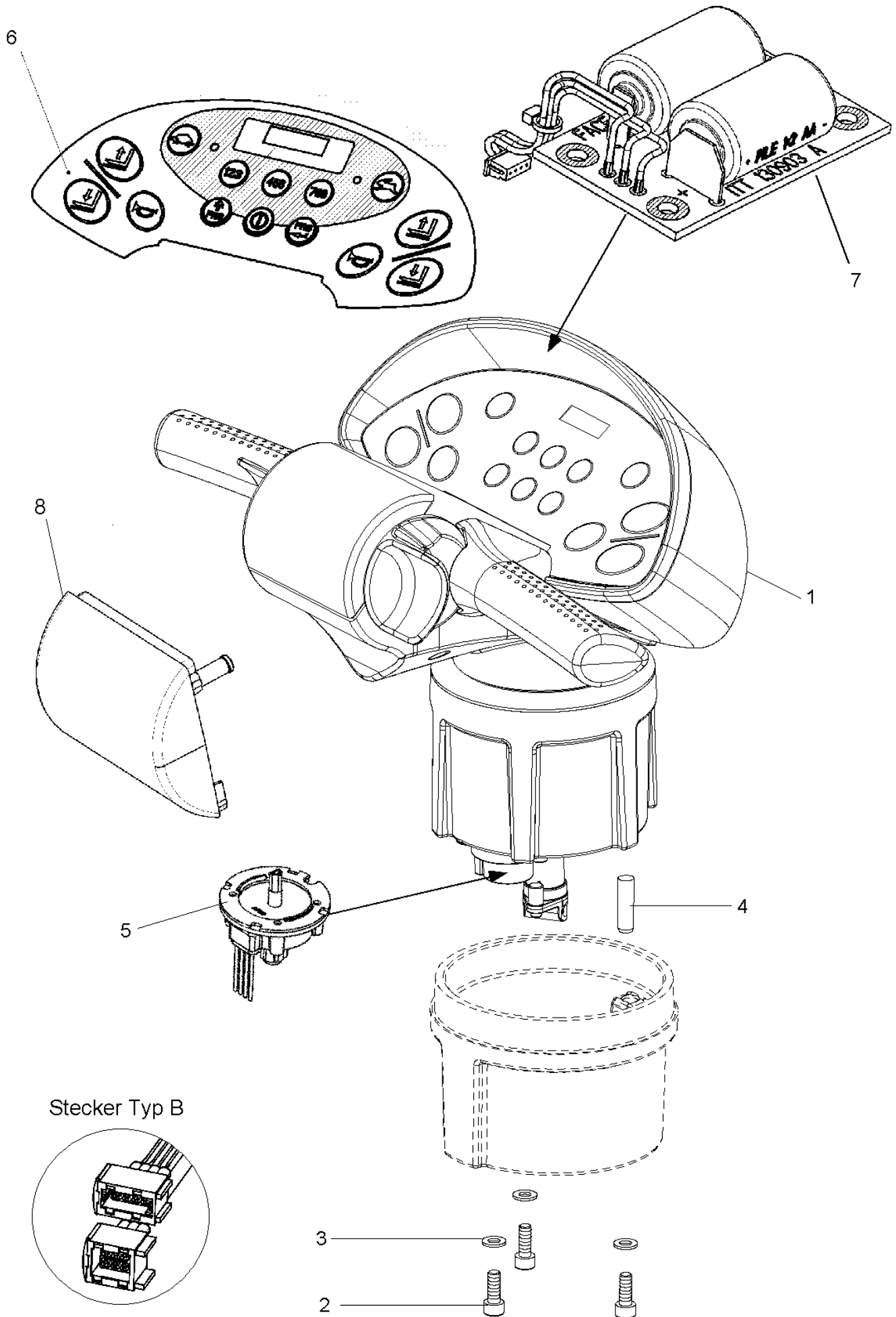
- Thank you very much for reading the preview of the manual.
- You can download the complete manual from: [www.heydownloads.com](http://www.heydownloads.com) by clicking the link below



- Please note: If there is no response to CLICKING the link, please download this PDF first and then click on it.

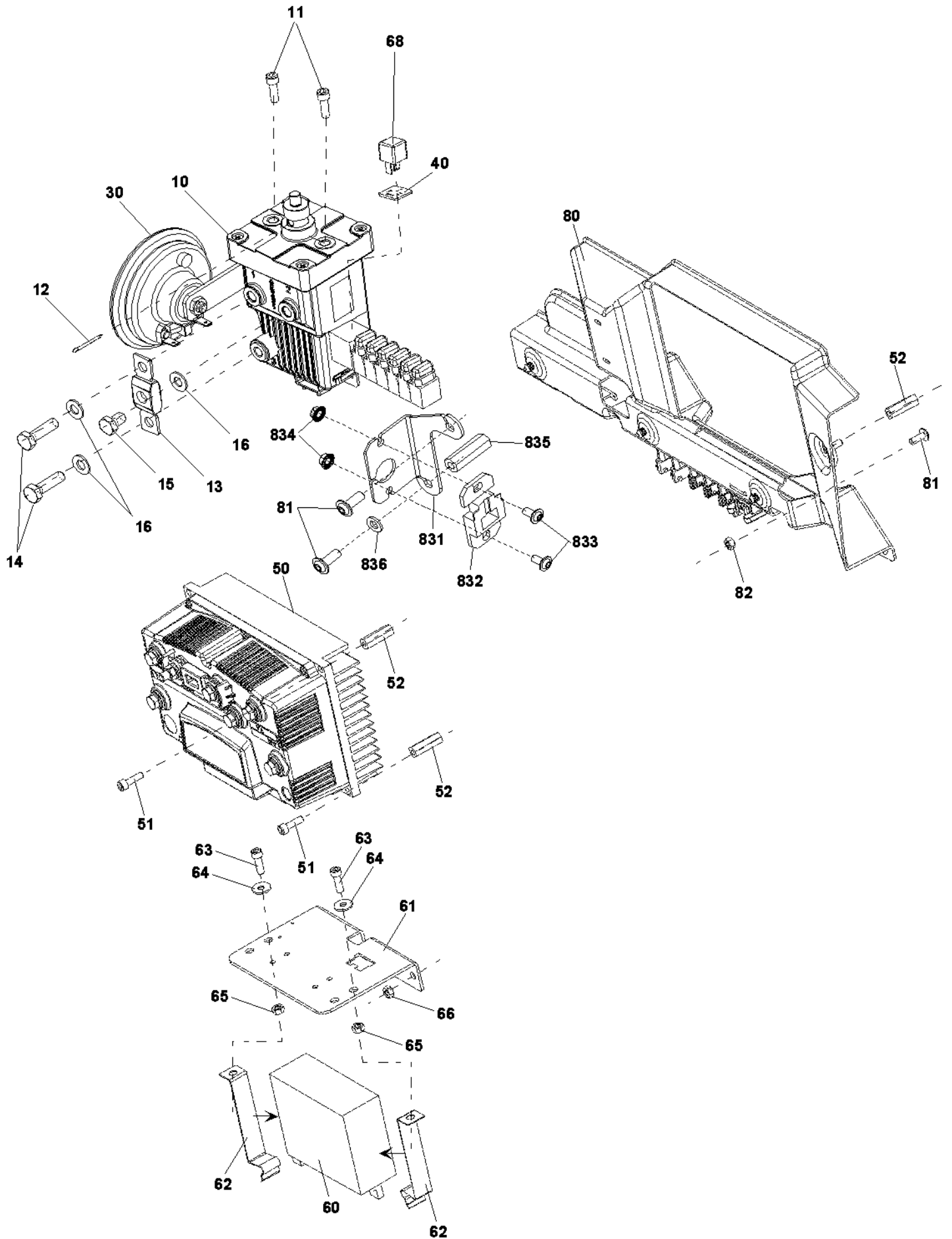
CLICK HERE TO **DOWNLOAD** THE COMPLETE MANUAL



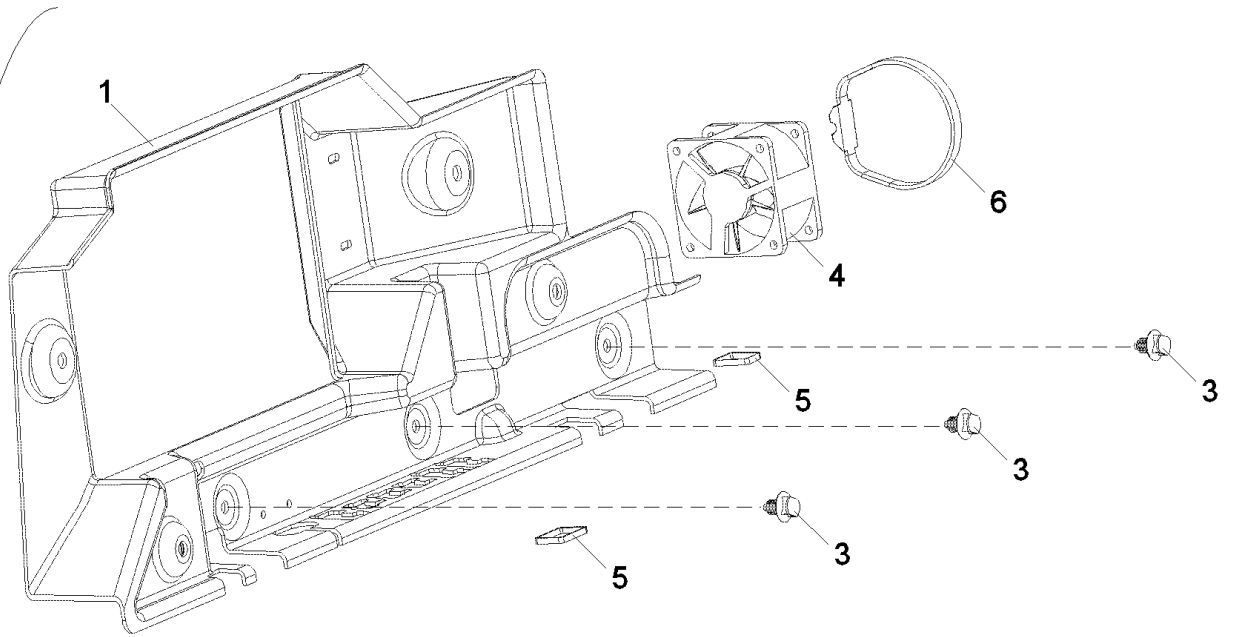




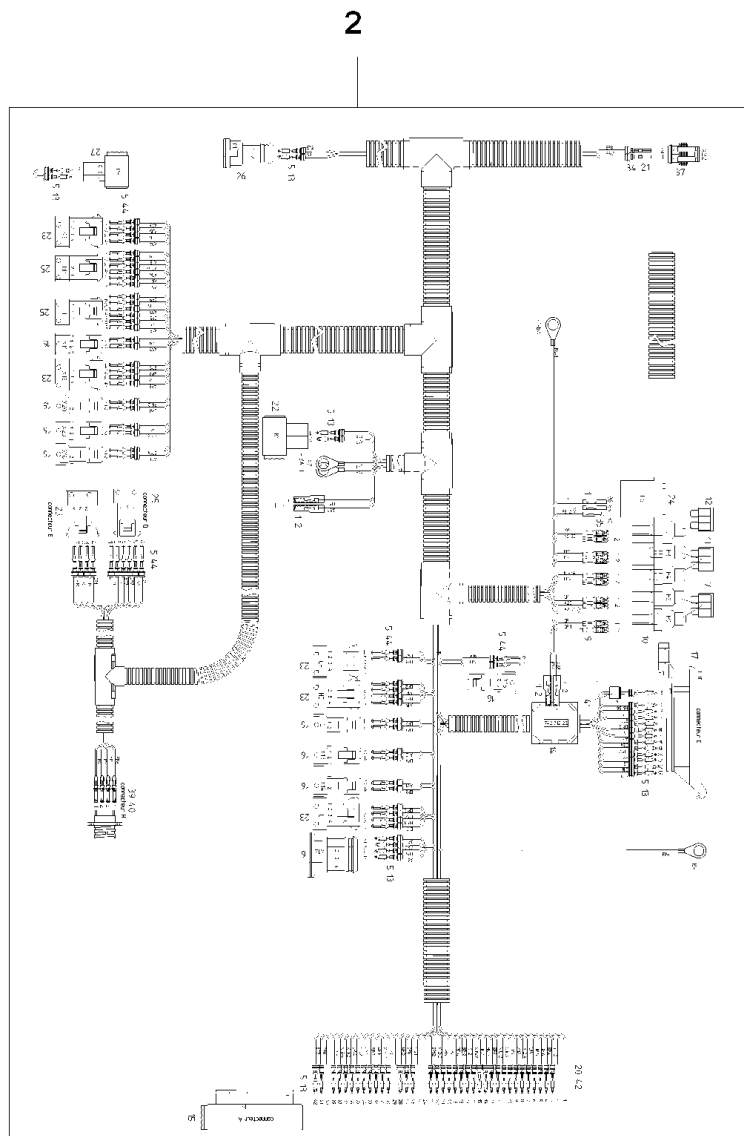




50103603046

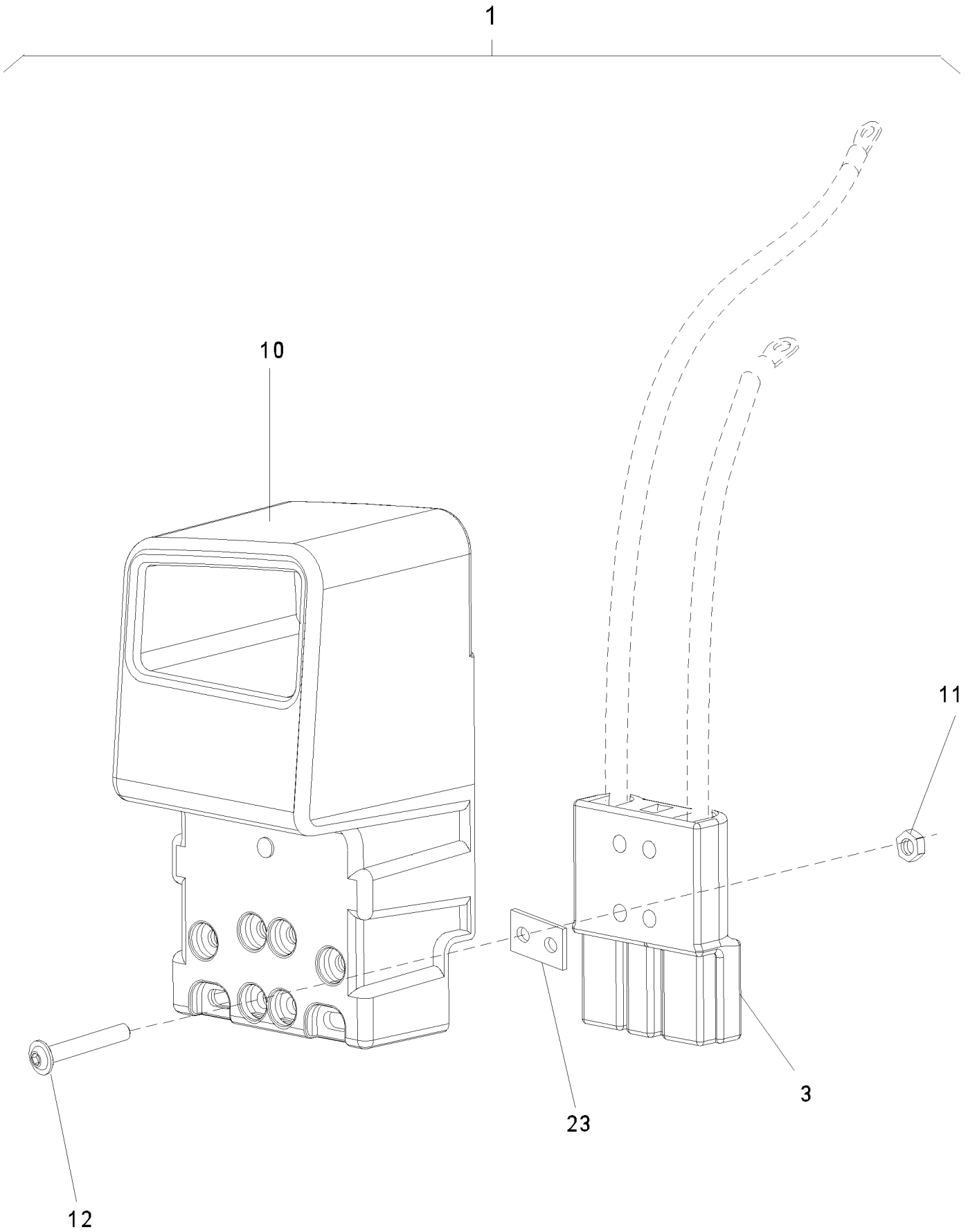


1-6



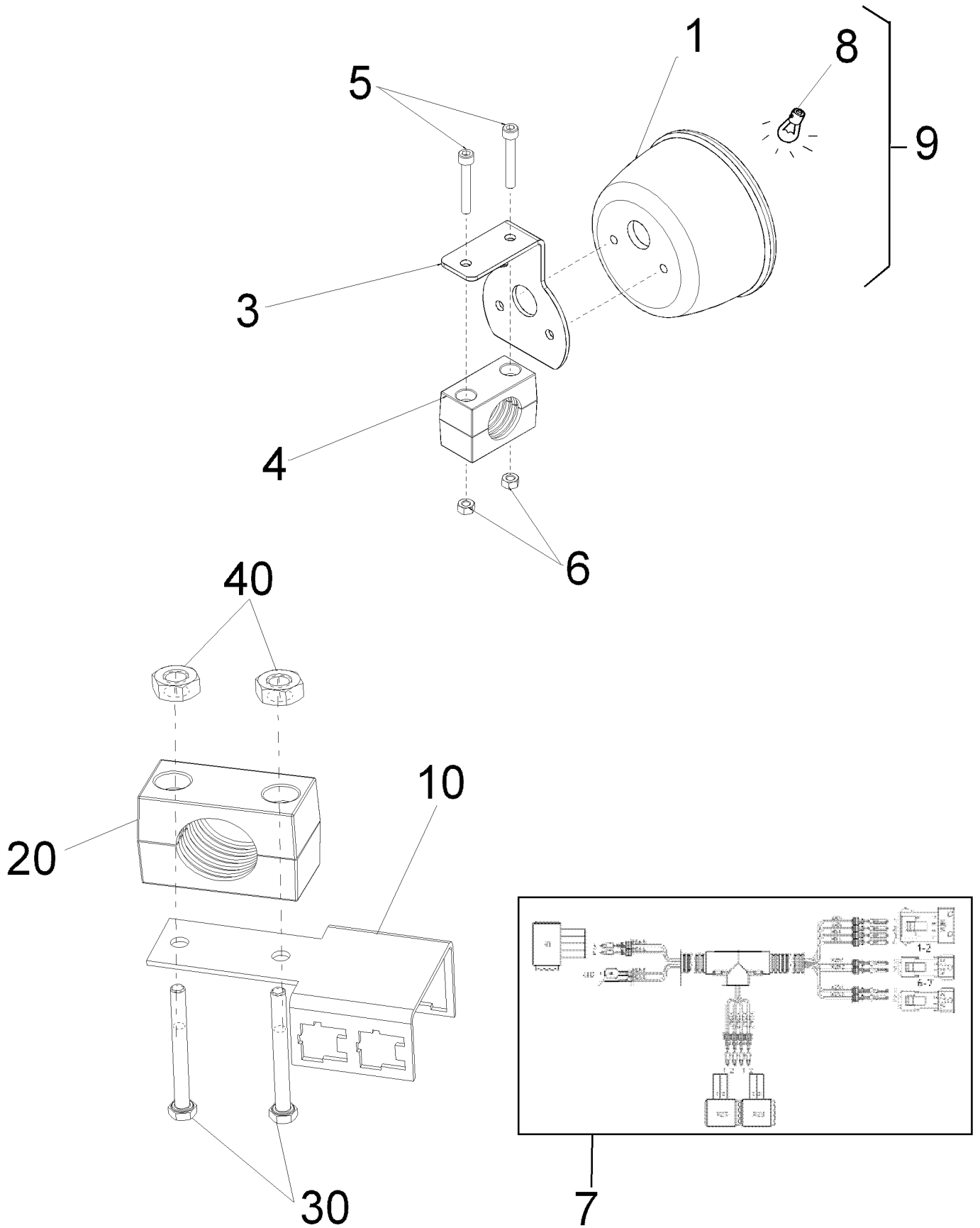
50101181107

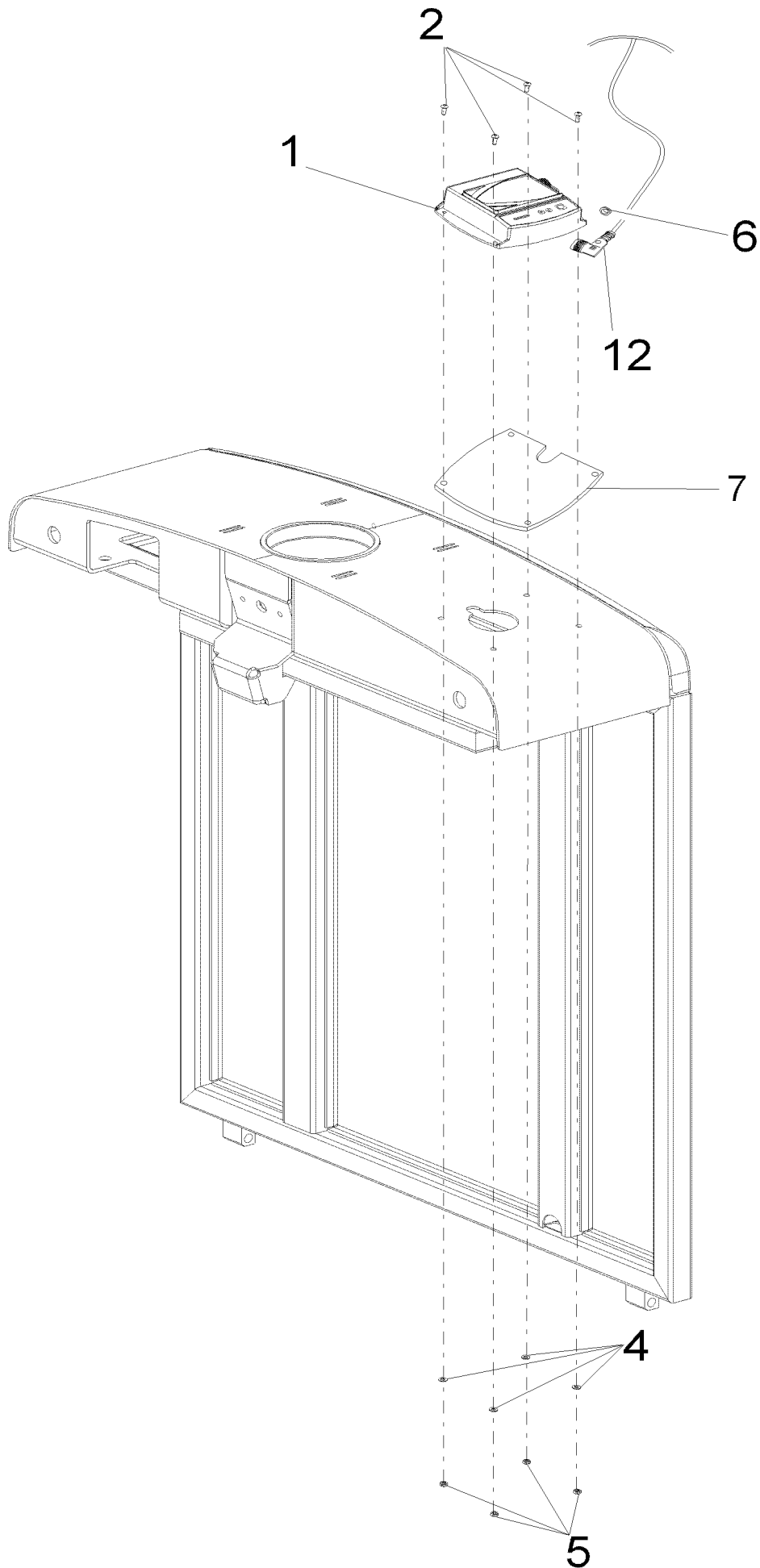


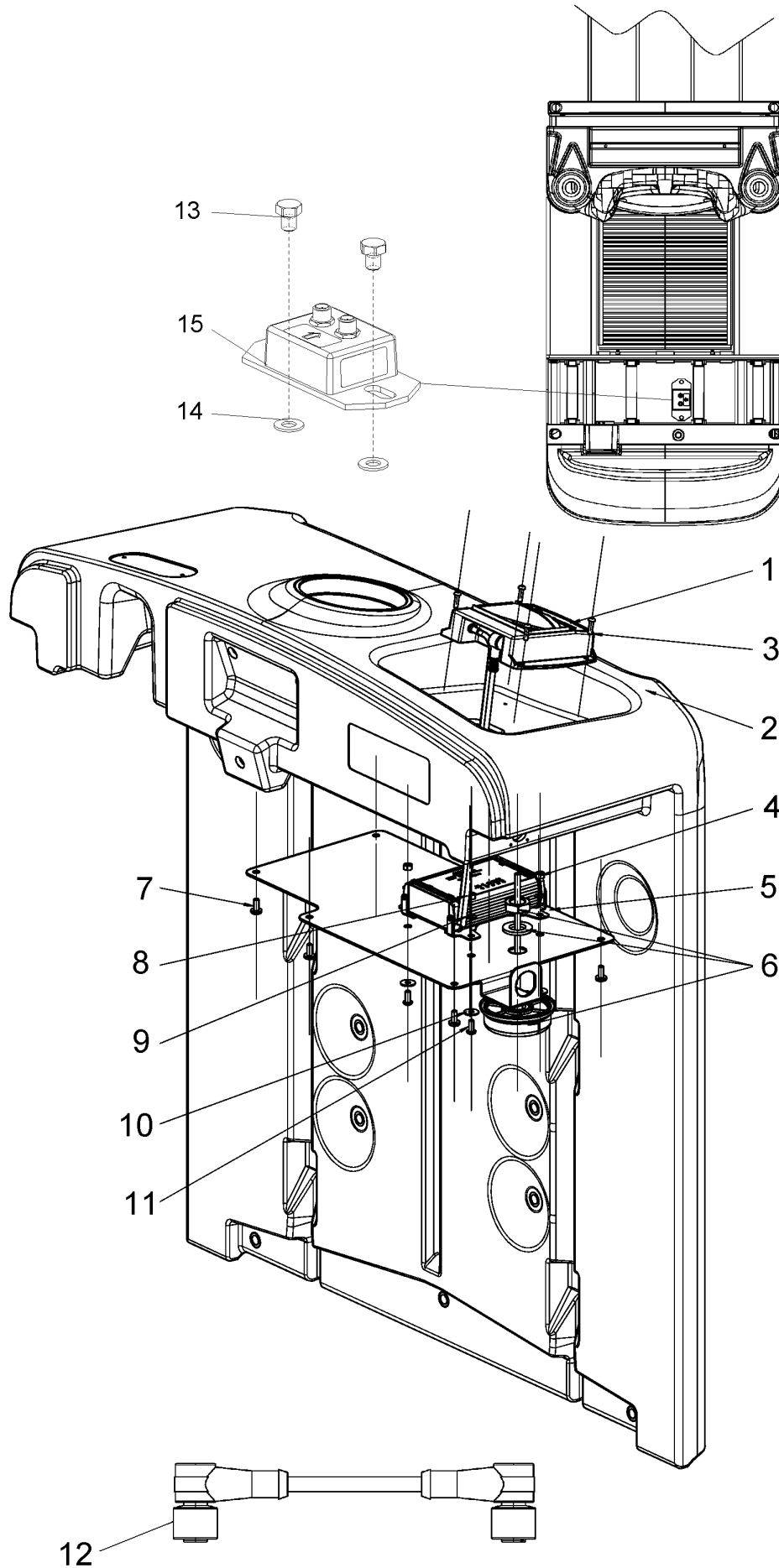


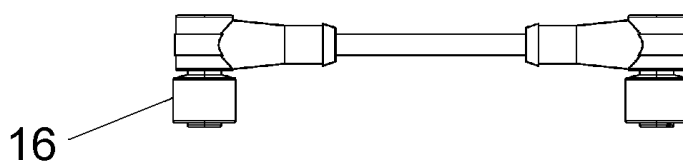
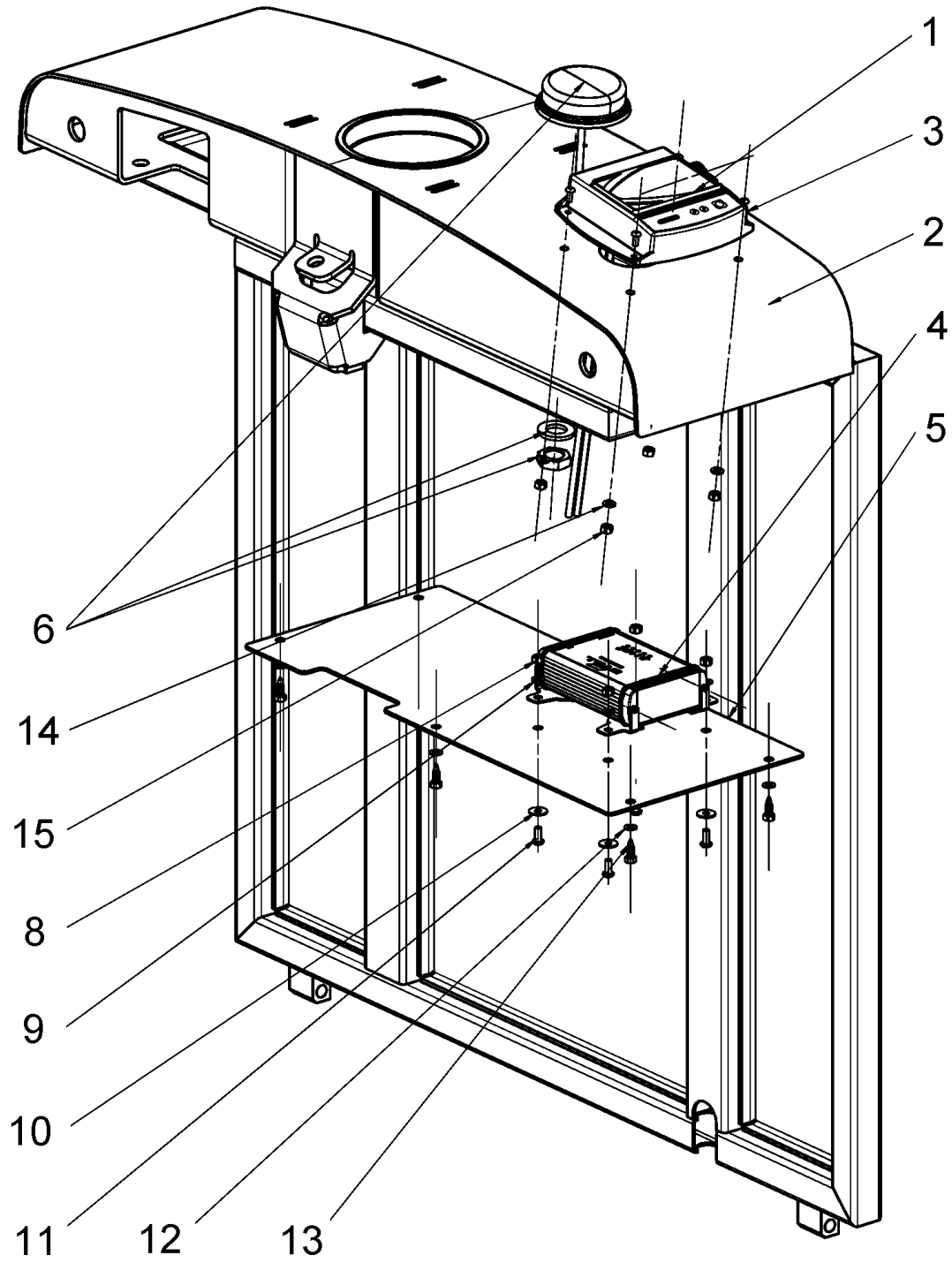


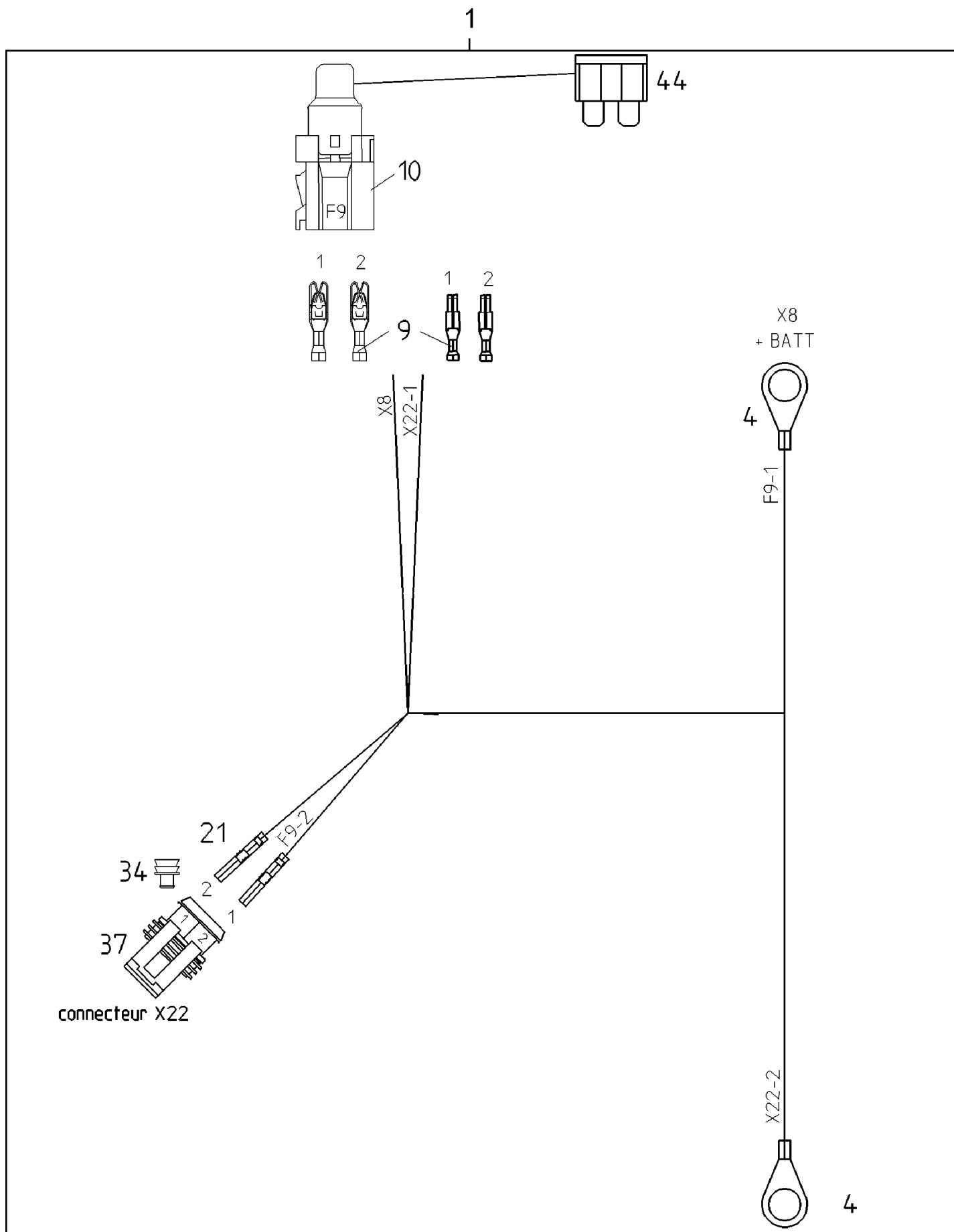




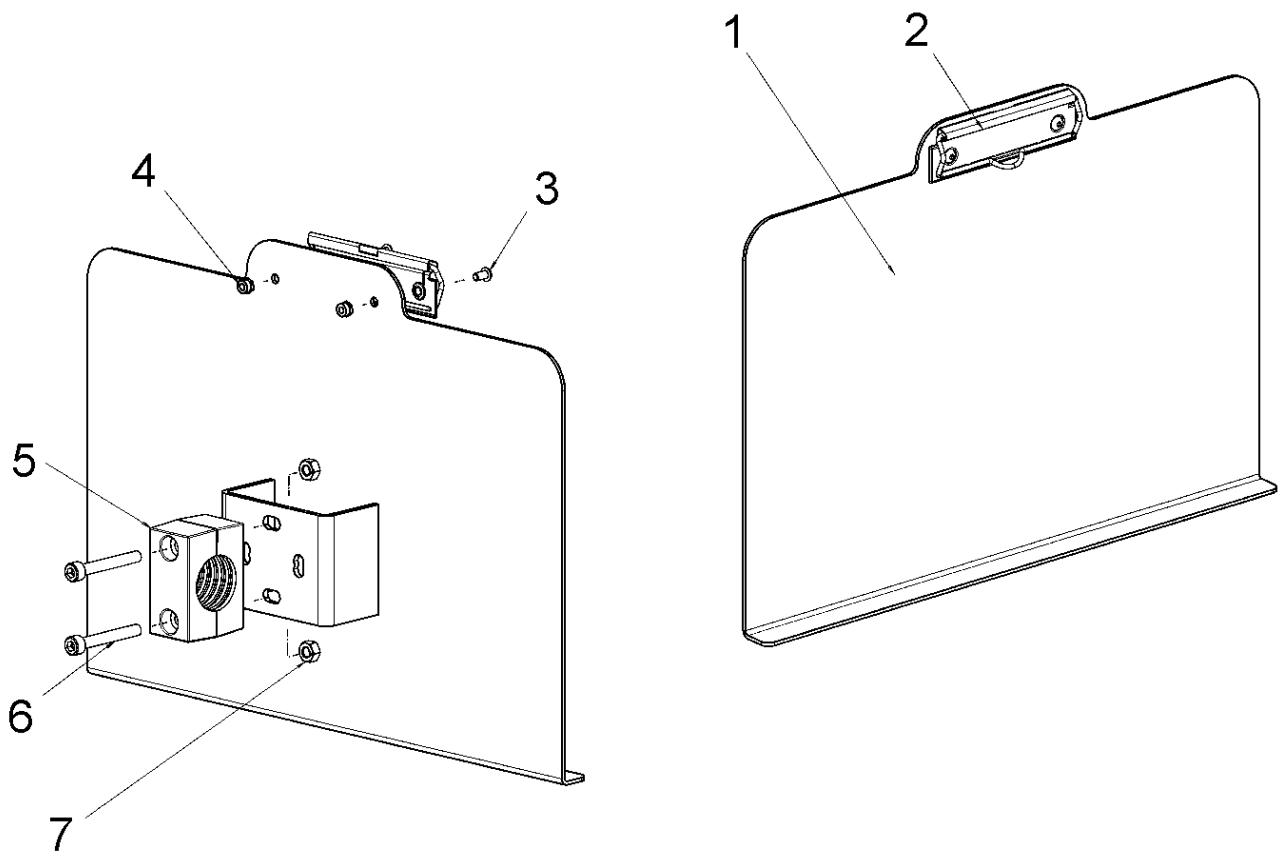




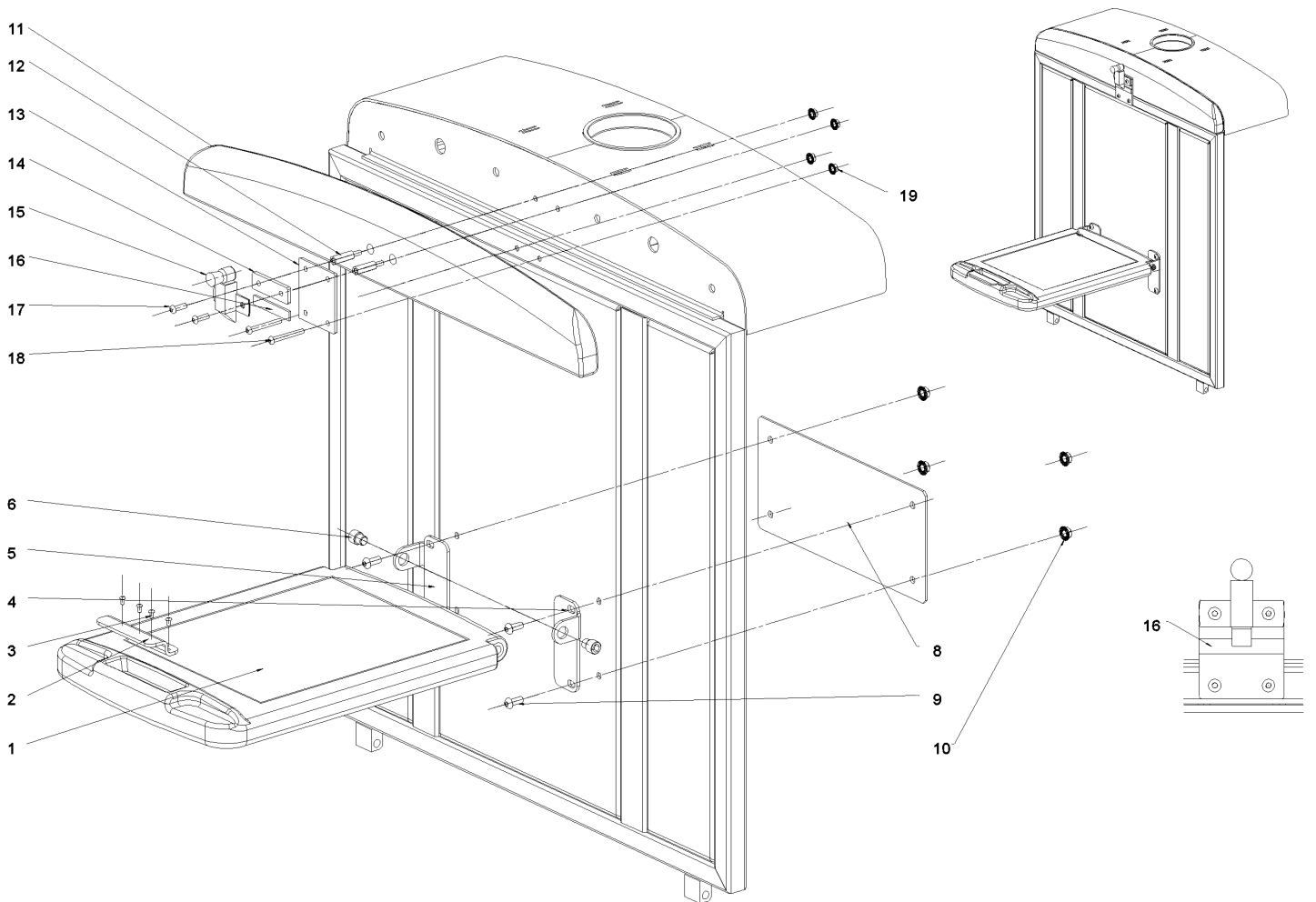


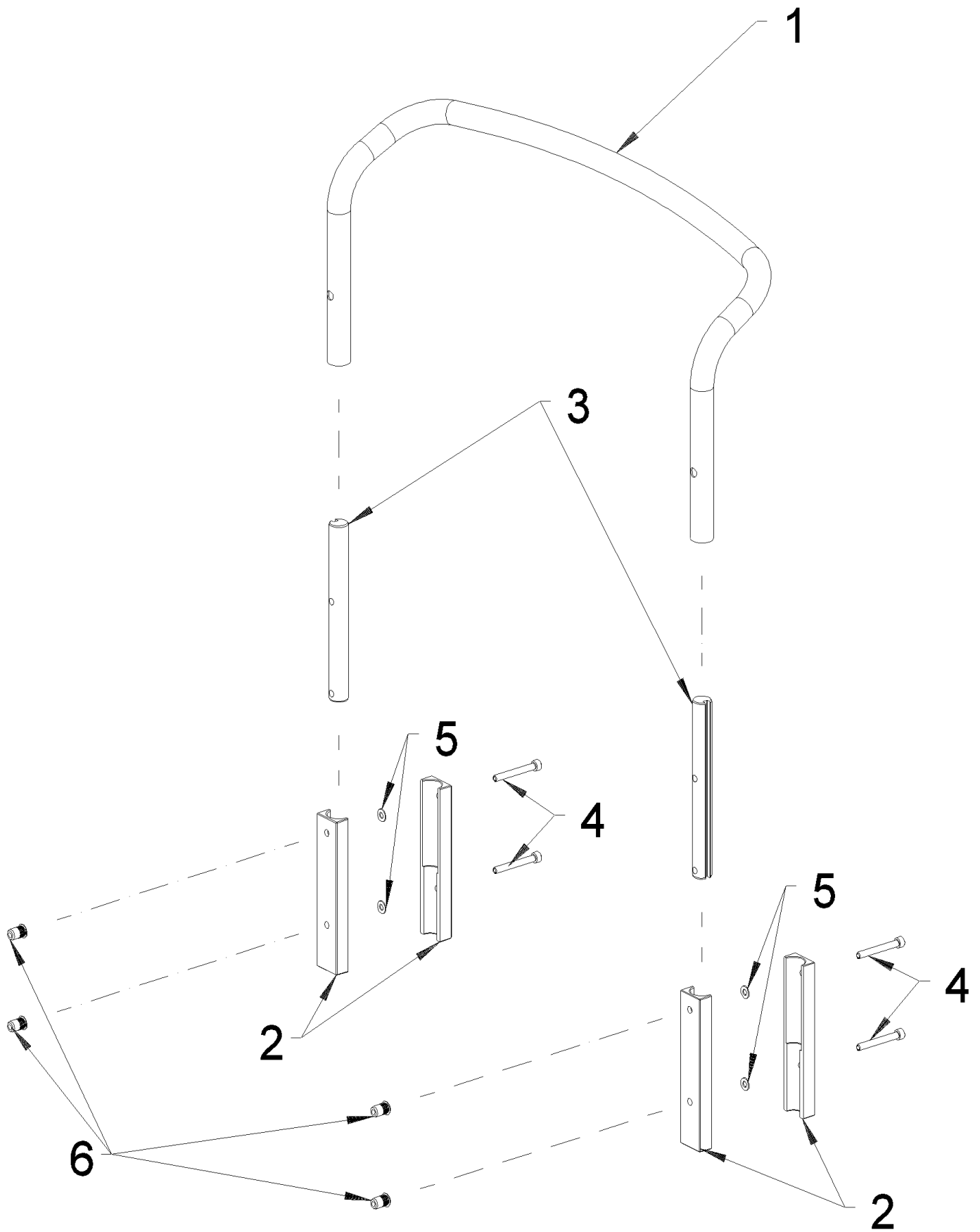


50103810308



50104306304





50104304502

0009013074	Page:	86
0009013078	Page:	60, 76, 88
0009121358	Page:	118, 122, 126, 130
0009125096	Page:	86
0009125108	Page:	342
0009147009	Page:	44, 52, 60, 68, 72, 76, 78, 86, 88, 90, 94, 96, 118, 120, 122, 124, 126, 128, 130, 132, 204, 222, 280, 284, 346, 348, 350, 352, 354, 356
0009212856	Page:	52
0009214028	Page:	118, 122, 126, 130
0009221520	Page:	50
0009362011	Page:	338, 342
0009384571	Page:	276
0009444300	Page:	266
0009445005	Page:	264
0009445116	Page:	266
0009452218	Page:	264
0009512491	Page:	266
0009518046	Page:	264
0009625090	Page:	264
0009643832	Page:	50
0009644230	Page:	72, 76, 86, 94, 96, 330, 332
0009646300	Page:	110, 114, 208, 214, 218, 228, 234, 240
0009646310	Page:	208, 214, 218, 228, 234, 240
0009646312	Page:	208, 214, 218, 228, 234, 240
0009652000	Page:	52
0009652620	Page:	52
0009718202	Page:	8
0009736347	Page:	266
0009741805	Page:	280
0009812524	Page:	266
0009903813	Page:	176
0009903815	Page:	176
0009903825	Page:	176
0009903830	Page:	176
0029941001	Page:	284,
0039123011	Page:	6
0039619100	Page:	6
0042142	Page:	14
0148659	Page:	178
0156734	Page:	284
0156735	Page:	284
0156801	Page:	150, 162
0156802	Page:	150, 162
0156803	Page:	150, 162
0156804	Page:	150, 162

CLICK HERE TO **DOWNLOAD** THE COMPLETE MANUAL

- Thank you very much for reading the preview of the manual.
- You can download the complete manual from: [www.heydownloads.com](http://www.heydownloads.com) by clicking the link below



- Please note: If there is no response to CLICKING the link, please download this PDF first and then click on it.

CLICK HERE TO **DOWNLOAD** THE COMPLETE MANUAL