

ERSATZTEILLISTE

Spare Parts List
Catalogue de pièces détachées
Catalogo parti di ricambio
Catálogo de recambio

The logo for STILL, featuring a stylized orange and grey graphic above the word "STILL" in a bold, black, sans-serif font.

KOMMISSIONIERSTAPLER

Order picker truck
Chariot élévateur de preparation de commandes vertical
Carrello elevatore di commissione
Carretilla de comisionado

STILL ELECTRONIC DOCUMENTATION SYSTEM



EK11/12
OPTISPEED
>=07/2002



Ident. Nr. 8 054 706

EK11/12

CLICK HERE TO **DOWNLOAD** THE COMPLETE MANUAL

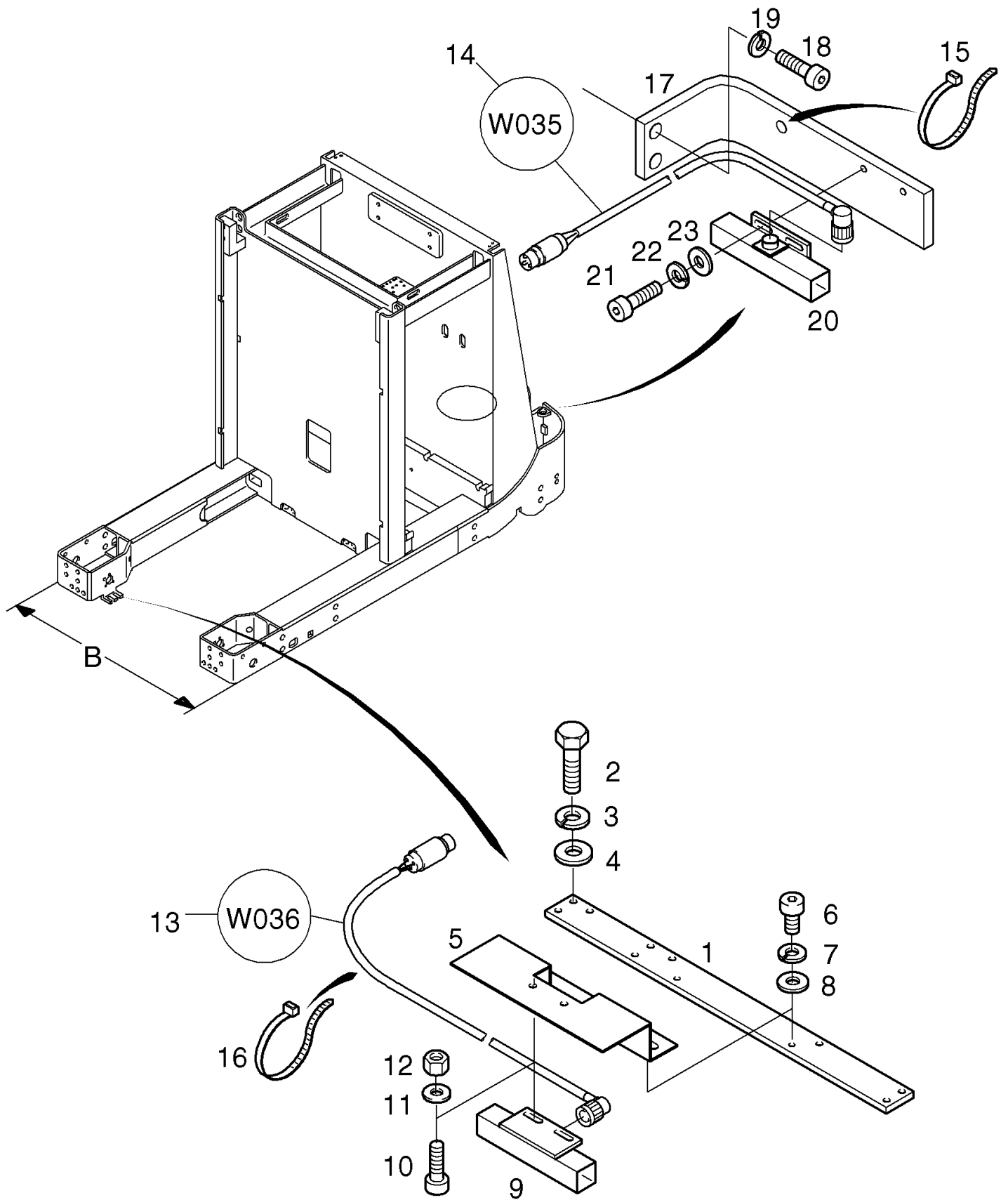
- Thank you very much for reading the preview of the manual.
- You can download the complete manual from: www.heydownloads.com by clicking the link below



- Please note: If there is no response to CLICKING the link, please download this PDF first and then click on it.

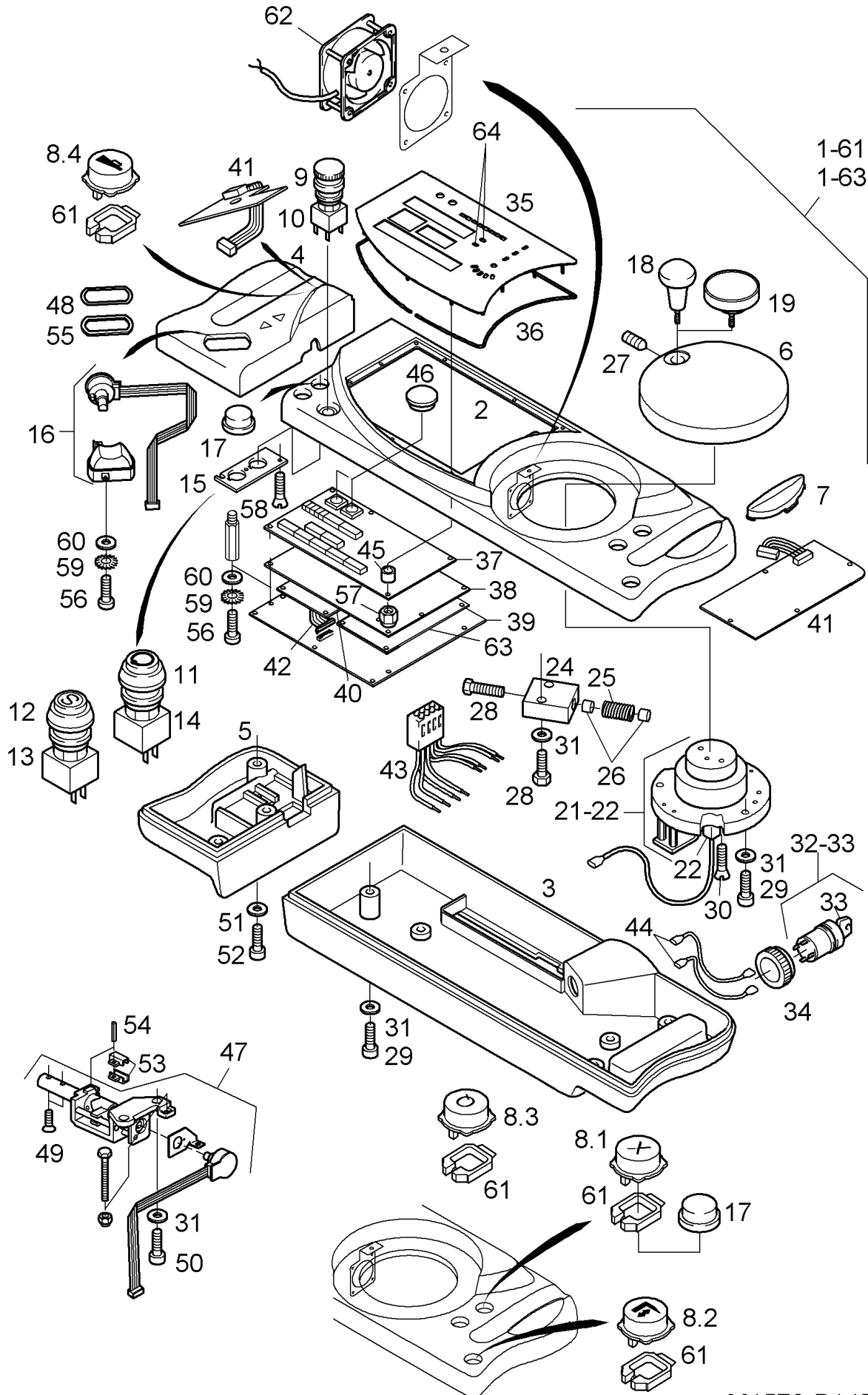
CLICK HERE TO **DOWNLOAD** THE COMPLETE MANUAL

Fig	Part-No.	Qty.	Description	Remark	validity	trucks
1	8270058	1	BENT PART			
2	8270056	2	SLEEVE			
3	8005926	2	SOCKET HEAD SCREW			
4	8006261	2	SPRING LOCK WASHER			
5	4492277	2	WASHER			
6	8270059	1	STUD			
7	8003233	1	STUD			
8	0147420	1	ADHESIVE	LOCTITE 243		
9	8270057	1	BENT PART			
10	8001413	3	SOCKET HEAD SCREW			
11	8002617	3	SPRING LOCK WASHER			
12	8407819	1	PULSE GENERATOR			



M0866-B118

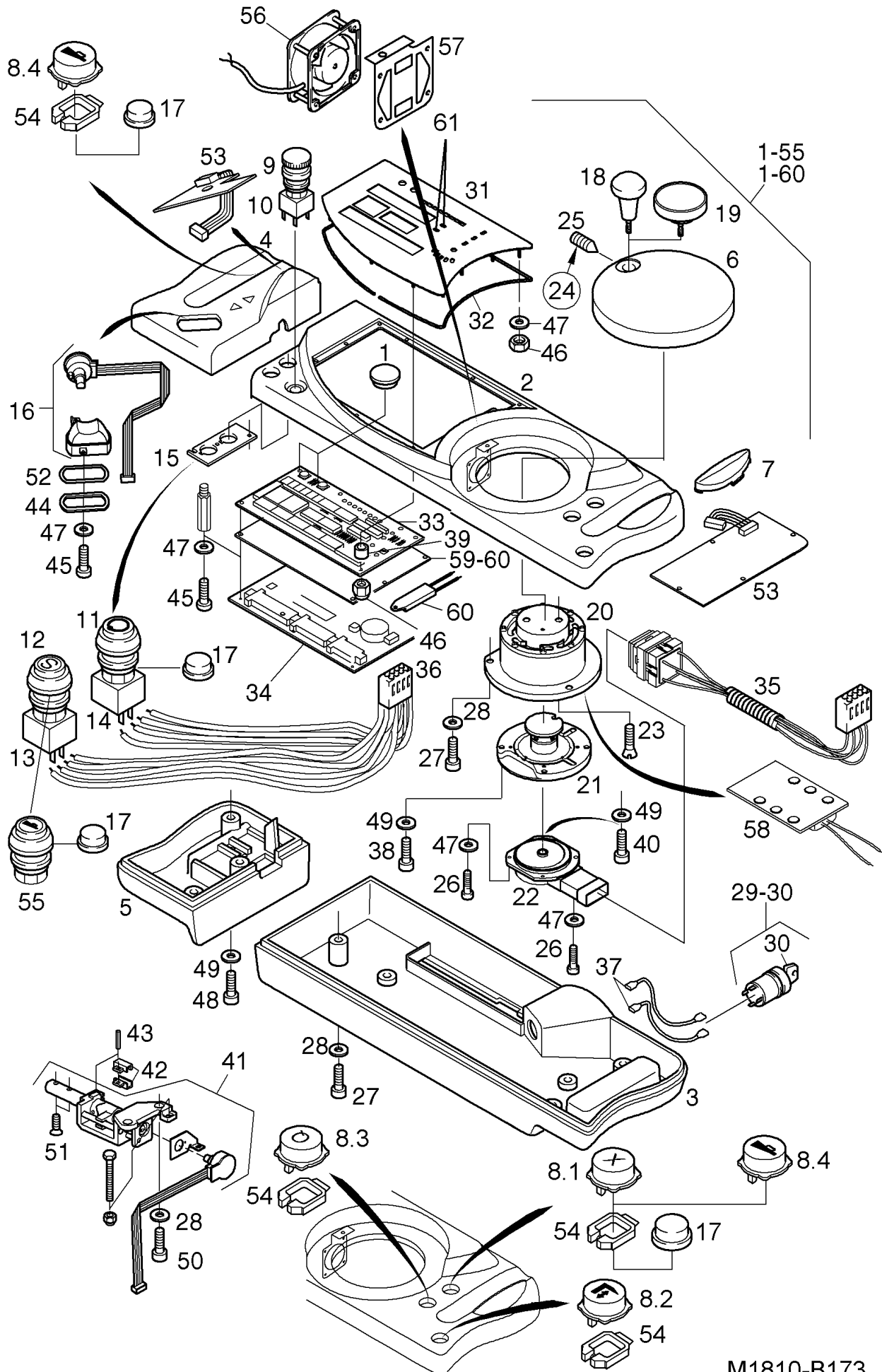
Fig	Part-No.	Qty.	Description	Remark	validity	trucks
1-61	8409805	1	CONTROL PANEL			
2	8423462	1	HOUSING TOP			
3	8426274	1	HOUSING LOWER PART			
4	8423464	1	WING			
5	8426275	1	WING			
6	8430216	1	WASHER			
7	8423467	1	KEY SWITCH			
8.2	8423264	1	KEY CAP			
8.3	8423468	1	KEY CAP			
8.4	8423470	1	KEY CAP			
9	8406414	1	EMERGENCY STOP BUTTON			
10	8406415	1	CONTACT ELEMENT			
12	8423501	1	KEY SWITCH			
13	8406417	1	CONTACT ELEMENT			
15	8423472	1	HOLDING PLATE			
16	8423473	1	CONTROL BELLCRANK			
17	8423370	2	DUMMY PLUG			
18	8423474	1	HANDLE			
19	8423475	1	PLATE			
21-22	8408624	1	STEERING			
22	8427295	1	POTENTIOMETER, COMPL.			
24	8423478	1	FLAT PART			
25	8423479	1	SPRING			
26	8423480	2	PRESSURE SENDER			
27	8423481	1	STUD			
28	0501020	3	HEXAGON HEAD SCREW			
29	0505274	7	SOCKET HEAD SCREW			
30	8003710	2	COUNTERSUNK SCREW			
31	4492277	11	WASHER			
32-33	8014175	1	SWITCH			
33	0149442	1	KEY PAIR	key 530		
34	8423482	1	THREADED RING			



M1570-B145

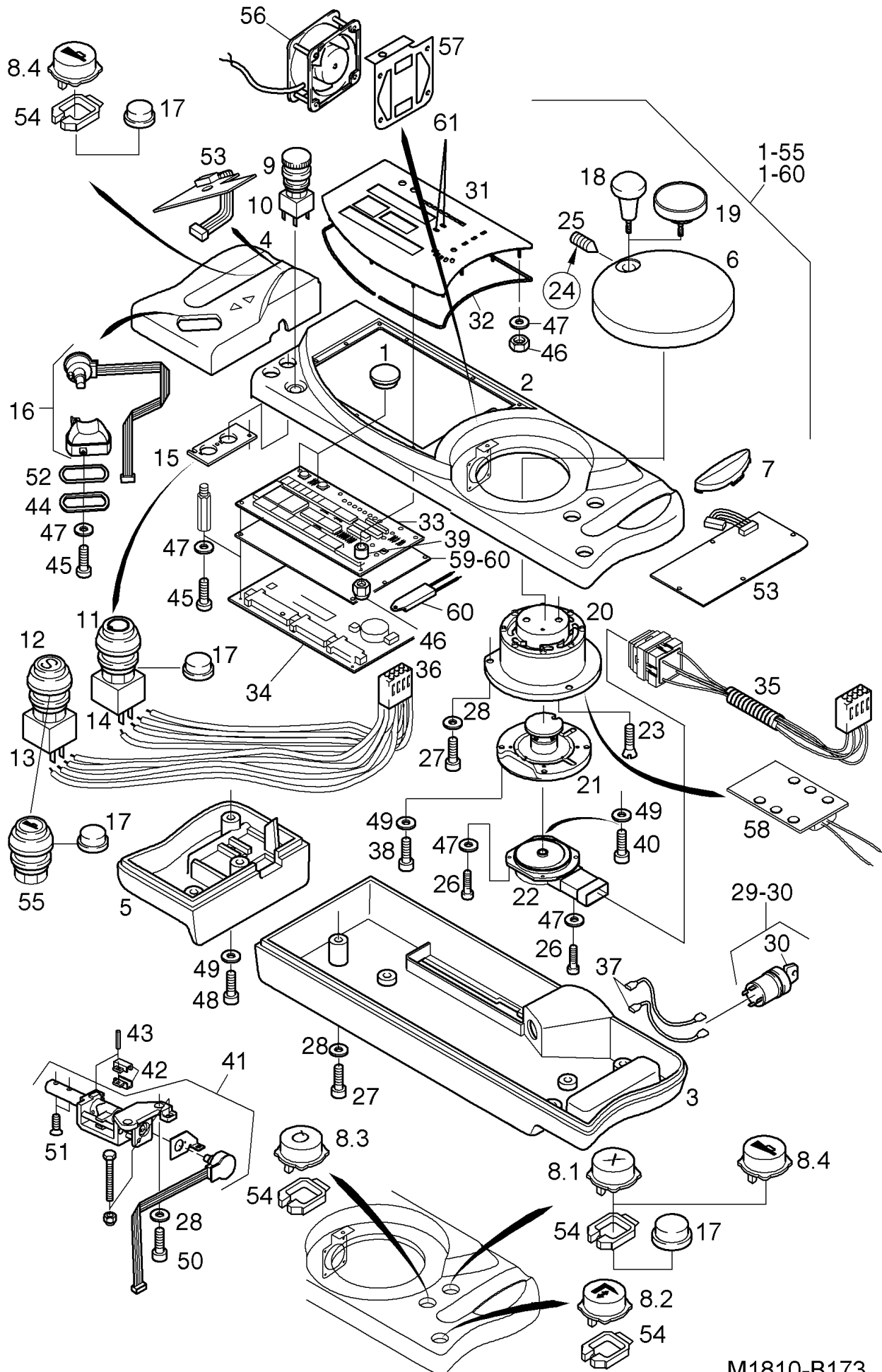
Fig	Part-No.	Qty.	Description	Remark	validity	trucks
▶ 1		1	CONTROL PANEL-MOUNTING			
▶ 1		1	CONTROL PANEL-MOUNTING	HEIGHT ADJUSTABLE		
▶ 1		1	CONTROL PANEL-MOUNTING	HOEHENVERSTELLBAR + NEIGBAR EXTERNAL WIDTH OF CABIN B=1050mm		
▶ 1		1	CONTROL PANEL-MOUNTING	HOEHENVERSTELLBAR + NEIGBAR EXTERNAL WIDTH OF CABIN B>=1200mm		
▶ 2		1	POTENTIOMETER KPL	STEERING	->07.02.2016	
▶ 3		1	STEER ANGLE LIMITER			
▶ 4		1	ANTENNA, COMPL.			
▶ 5		1	CONTROL PANEL	mast side		
▶ 5		1	CONTROL PANEL	load side		

Fig	Part-No.	Qty.	Description	Remark	validity	trucks
32	8423485	1	SEAL			
33	8459093	1	DISPLAY BOARD	DISBO		
34	52113650100	1	PRINTED CIRCUIT BOARD	CONPRO		
35	8459811	1	CABLE			
36	8459812	1	CABLE			
37	8408628	2	CABLE			
38	0161259	4	SOCKET HEAD SCREW			
39	8459813	5	SPACER			
40	0532928	1	SOCKET HEAD SCREW			
41	8427887	1	SENDER, COMPL.			
42	8423275	2	CABLE SUPPORT			
43	8005413	1	SLOTTED SPRING PIN			
44	8423487	1	SEAL			
45	8413960	9	BUTTON HEAD SCREW			
46	8418289	16	HEXAGON NUT			
47	9322620008	26	SPRING WASHER			
48	8003966	3	SOCKET HEAD SCREW			
49	8002677	4	LOCK WASHER			
50	4491434	2	SOCKET HEAD SCREW			
51	8002167	2	COUNTERSUNK SCREW			
52	8423488	1	SPACER			
53	8459836	1	P.C. BOARD, COMPL.			
54	8426273	4	CHASSIS			
55	8430524	1	KEY SWITCH			
61	8271772	1	SYMBOL INSERT	PSA + PSA- FEHLER/ERROR/ERREURS/ERRO RI/FALLOS		



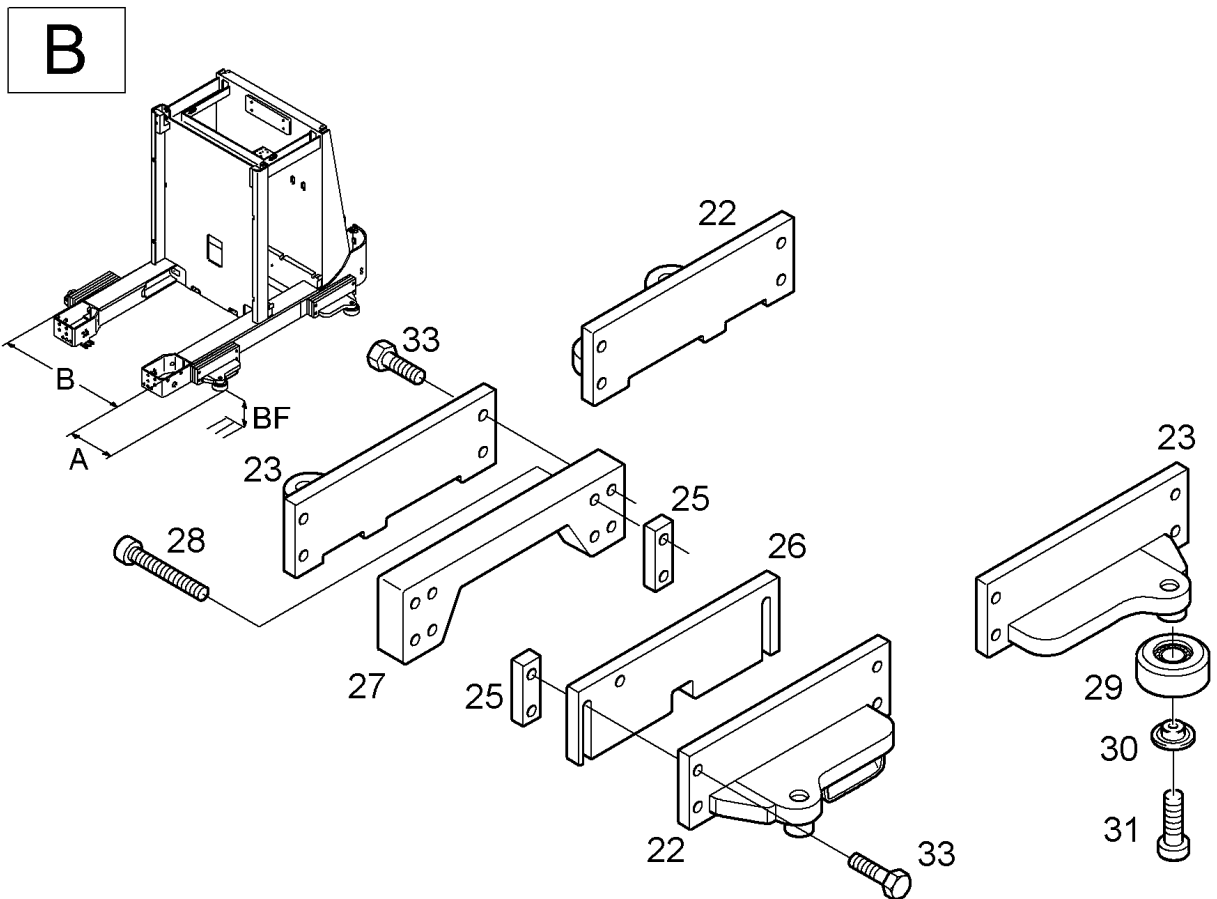
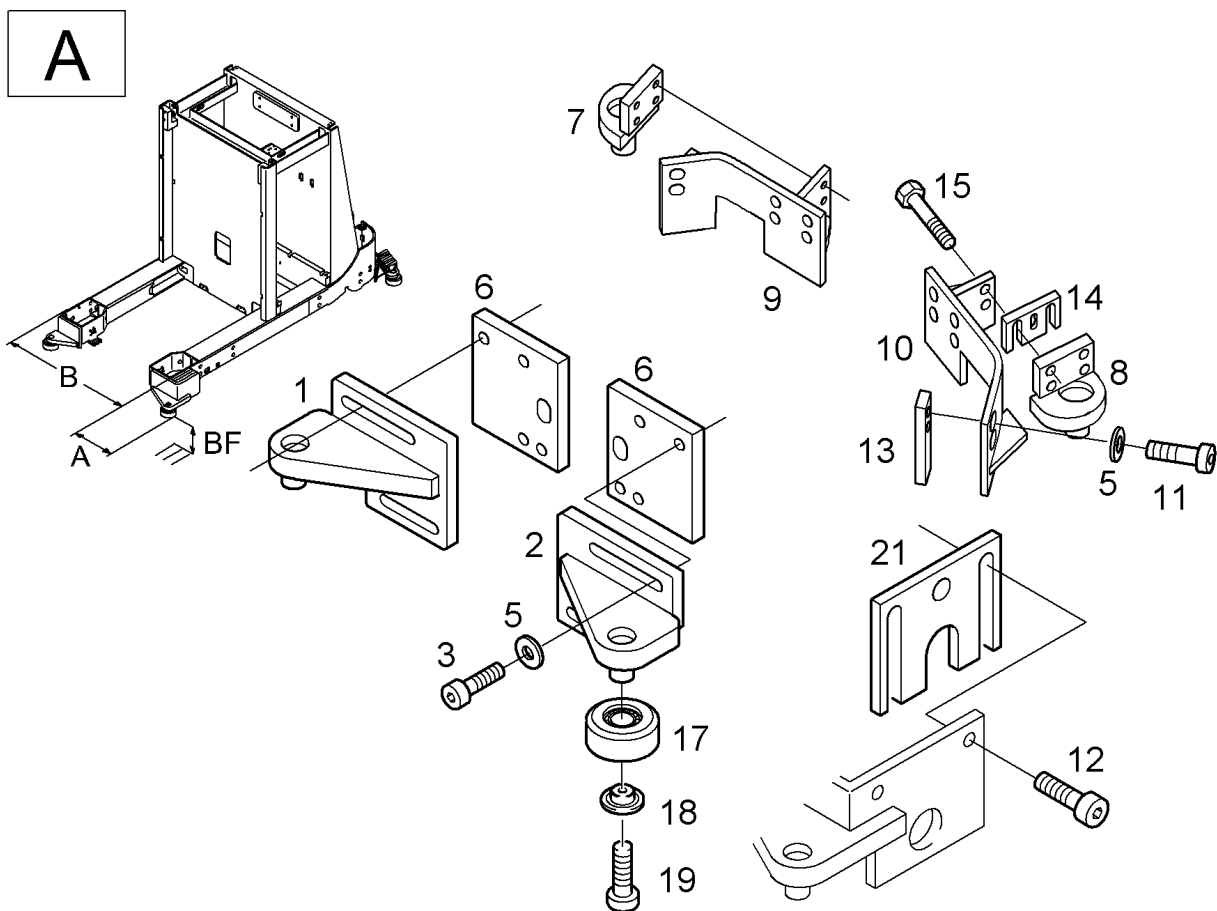
M1810-B173

Fig	Part-No.	Qty.	Description	Remark	validity	trucks
33	8459093	1	DISPLAY BOARD	DISBO		
34	52113650100	1	PRINTED CIRCUIT BOARD	CONPRO		
35	8459811	1	CABLE			
36	8459812	1	CABLE			
37	8408628	2	CABLE			
38	0161259	4	SOCKET HEAD SCREW			
39	8459813	5	SPACER			
40	0532928	1	SOCKET HEAD SCREW			
41	8409929	1	SENDER, COMPL.			
41	8426805	1	SENDER, COMPL.	AT		
42	8423275	2	CABLE SUPPORT			
43	8005413	1	SLOTTED SPRING PIN			
44	8423487	1	SEAL			
45	8413960	9	BUTTON HEAD SCREW			
46	8418289	16	HEXAGON NUT			
47	9322620008	26	SPRING WASHER			
48	8003966	3	SOCKET HEAD SCREW			
49	8002677	4	LOCK WASHER			
50	4491434	2	SOCKET HEAD SCREW			
51	8002167	2	COUNTERSUNK SCREW			
52	8423488	1	SPACER			
53	8431280	1	PRINTED CIRCUIT BOARD			
54	8426273	2	CHASSIS			
55	8430524	1	KEY SWITCH			
61	8271772	1	SYMBOL INSERT	PSA + PSA- FEHLER/ERROR/ERREURS/ERRO RI/FALLOS		



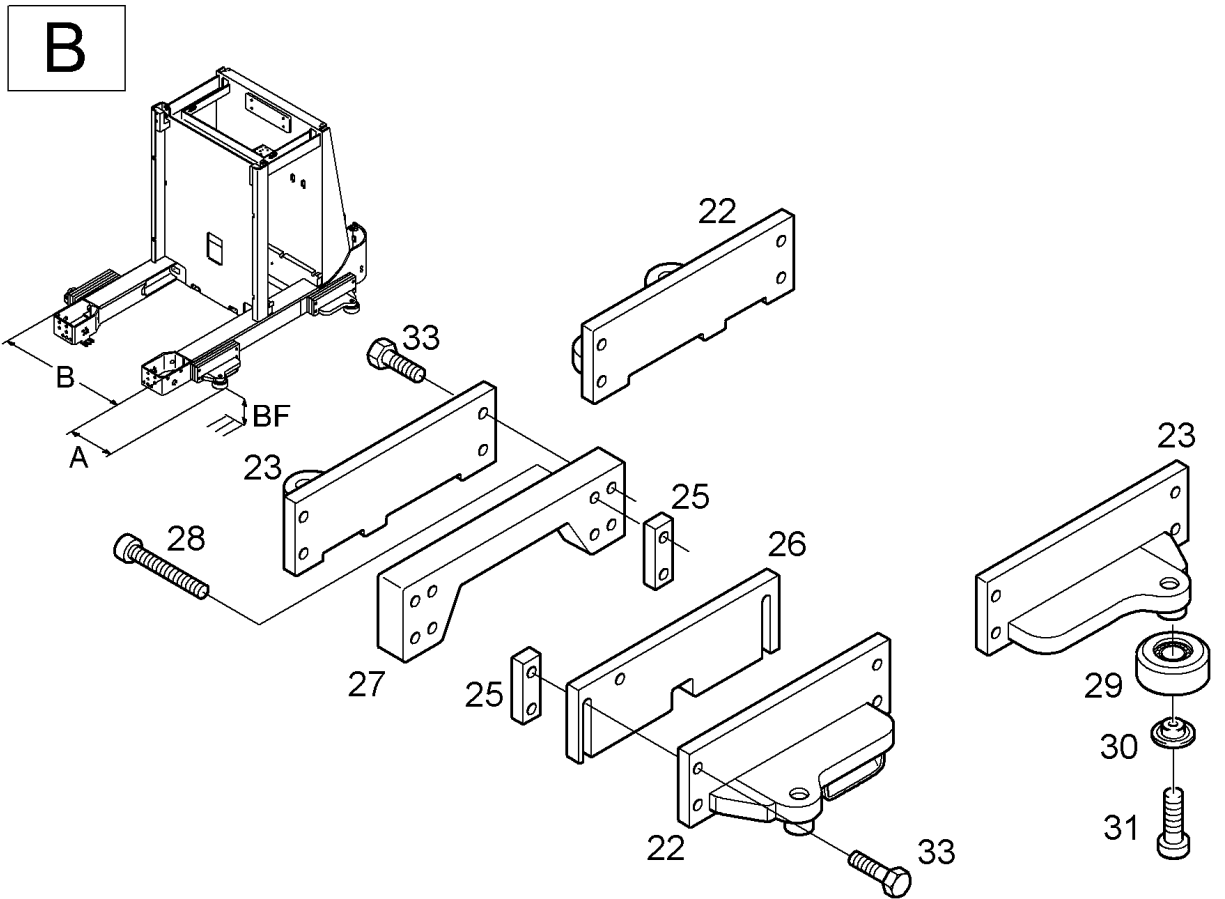
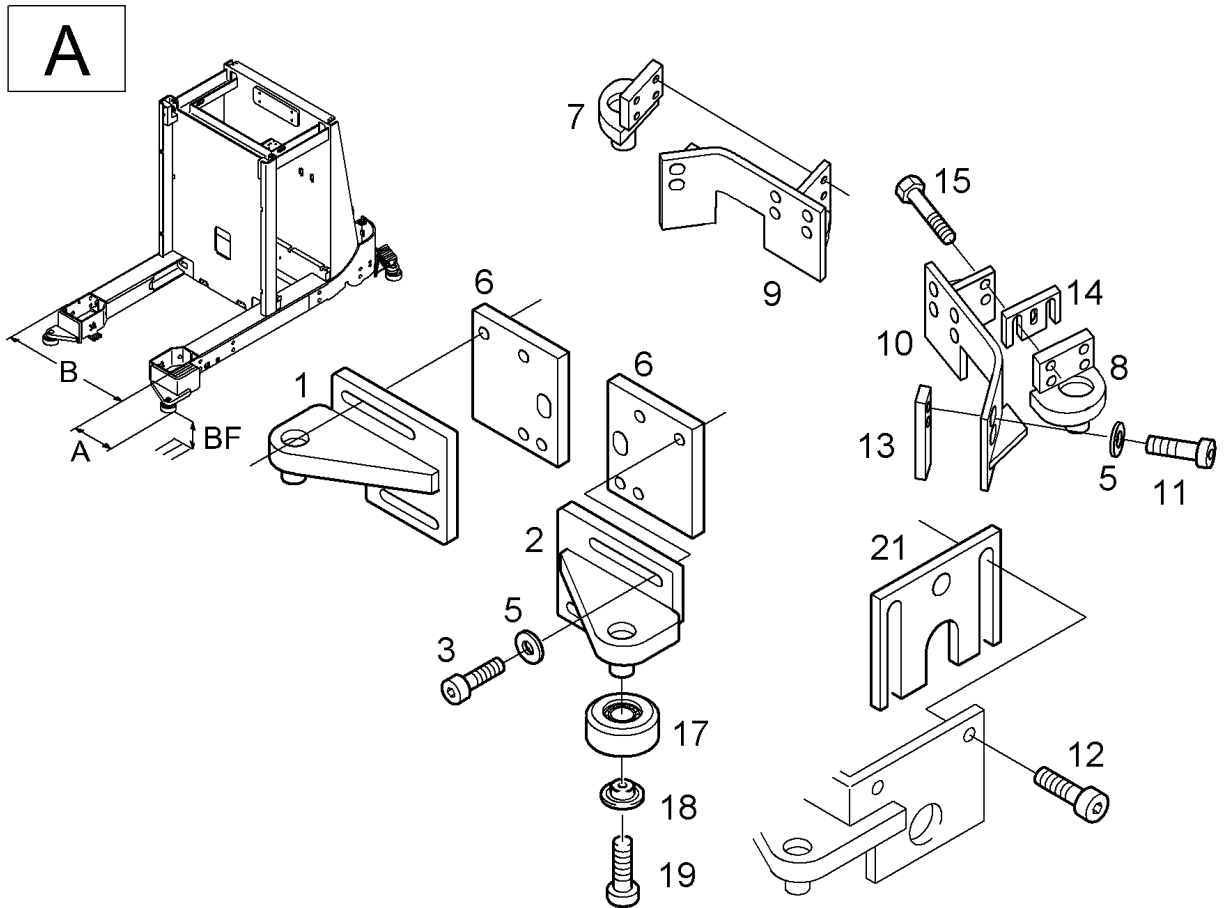
M1810-B173

Fig	Part-No.	Qty.	Description	Remark	validity	trucks
1	8387728	1	SUPPORT			
2	8387727	1	SUPPORT			
3	0502108	8	SOCKET HEAD SCREW			
5	8410520	16	WASHER			
6	8271478	2	PLATE			
7	8387810	1	HOLDER			
8	8387884	1	HOLDER			
9	8387809	1	SUPPORT			
10	8387881	1	SUPPORT			
11	0502106	8	SOCKET HEAD SCREW			
13	8271623	2	PLATE			
14	8271624	4	WASHER	1mm		
14	8271625	4	WASHER	2mm		
14	8271626	2	WASHER	4mm		
14	8271627	2	WASHER	8mm		
14	8271628	4	WASHER	15mm		
15	8004815	8	HEXAGON HEAD SCREW			
17	8424783	4	ROLLER	D = 125 mm; electrical conductible		
18	8236328	4	GUIDE			
19	8006005	4	SOCKET HEAD SCREW			



M0880-D37

Fig	Part-No.	Qty.	Description	Remark	validity	trucks
1	8387734	1	SUPPORT			
2	8387733	1	SUPPORT			
3	0502108	8	SOCKET HEAD SCREW			
4	8006273	20	CIRCLIP			
5	8410520	8	WASHER			
6	8271479	2	PLATE			
7	8387810	1	HOLDER			
8	8387884	1	HOLDER			
9	8387814	1	HOLDER			
10	8387878	1	HOLDER			
11	0502106	8	SOCKET HEAD SCREW			
12	0510258	4	SOCKET HEAD SCREW			
13	8271623	2	PLATE			
14	8271624	4	WASHER	1mm		
14	8271625	4	WASHER	2mm		
14	8271626	2	WASHER	4mm		
14	8271627	2	WASHER	8mm		
14	8271628	4	WASHER	15mm		
15	8004815	8	HEXAGON HEAD SCREW			
16	8002641	8	SPRING LOCK WASHER			
17	8423188	4	ROLLER, COMPL.	D = 125 mm		
18	8236328	4	GUIDE			
19	8006005	4	SOCKET HEAD SCREW			
20	8006269	4	SPRING LOCK WASHER			
21	8271483	2	WASHER	1mm		
21	8271484	2	WASHER	2mm		
21	8271485	2	WASHER	4mm		
21	8271486	2	WASHER	8mm		
21	8271487	2	WASHER	15mm		



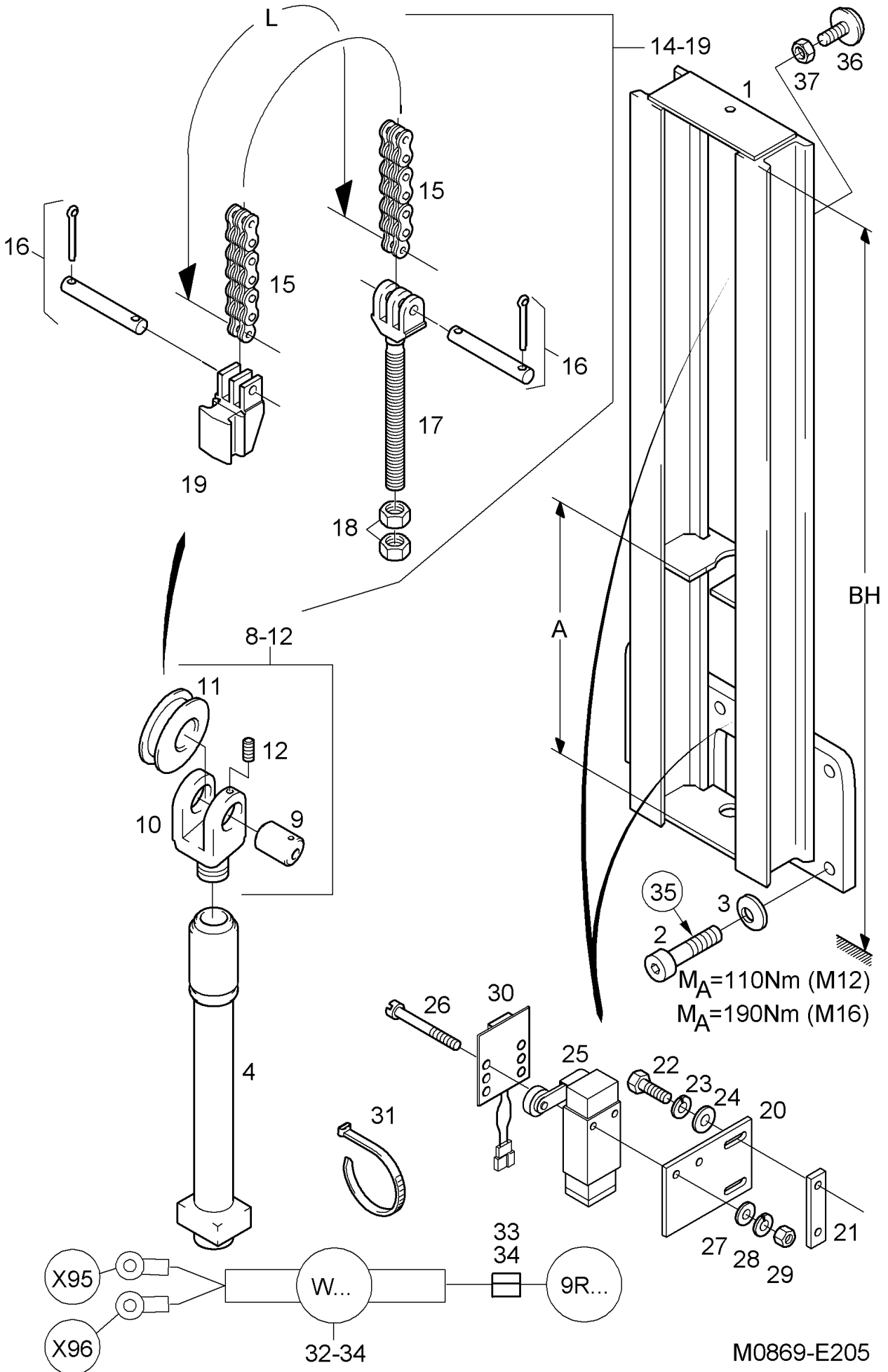
M0880-D37

Fig	Part-No.	Qty.	Description	Remark	validity	trucks
▶ 1		1	RAIL LIGHT SWITCH	A=15-129mm/BF=19mm	->31.05.2004	
▶ 1		1	RAIL LIGHT SWITCH	A=15-129mm/BF=50mm	->31.05.2004	
▶ 1		1	RAIL LIGHT SWITCH	A=130-310mm/BF=19+50mm	->31.05.2004	

ADDITIONAL LIFTING DEVICE

BH=1131mm/H=600mm/A=380mm/M16 "FEM1A-GABELN"

EK11_12



ADDITIONAL LIFTING DEVICE

EK11_12

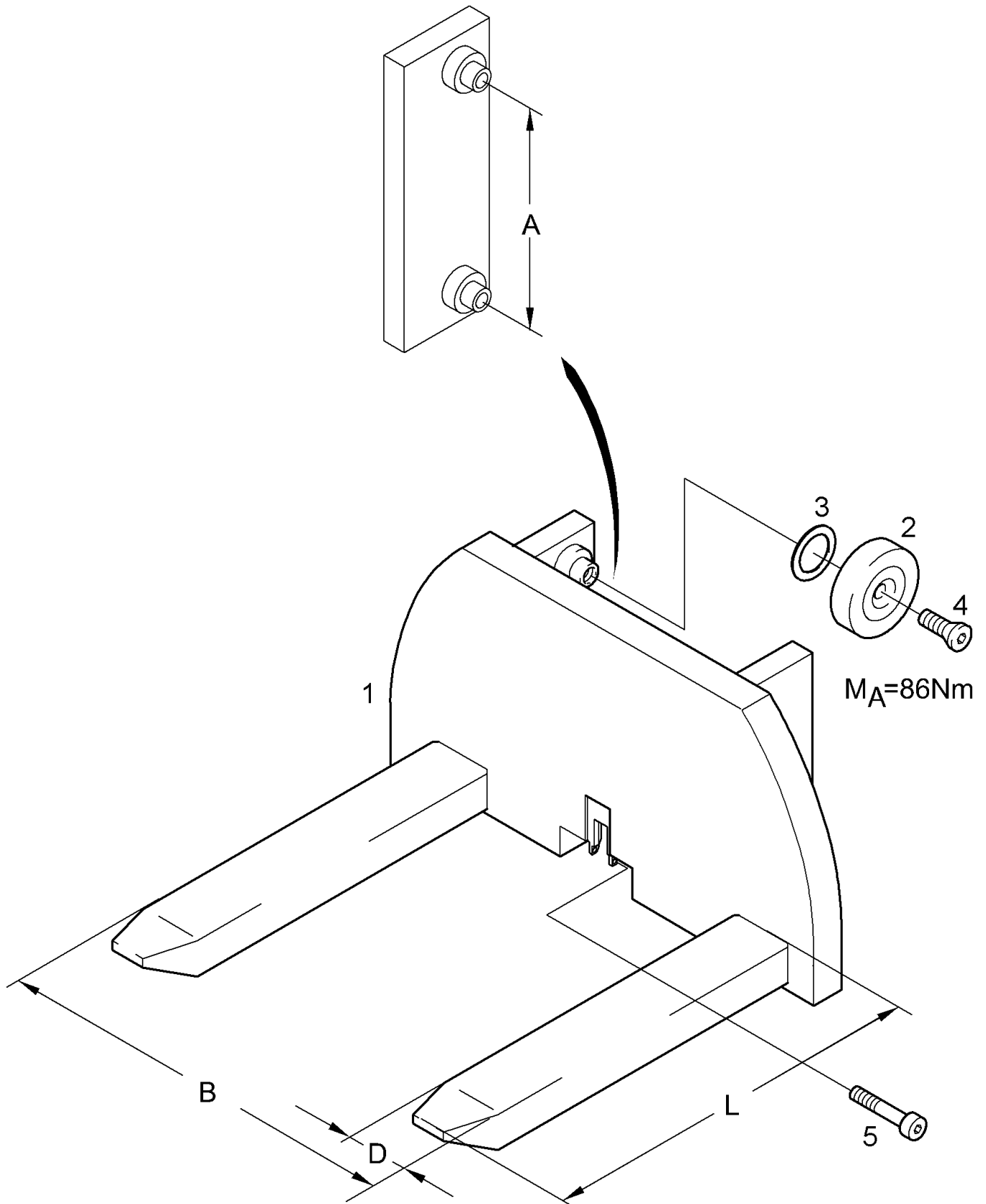
BH=1153mm/H=790mm/A=430mm

Fig	Part-No.	Qty.	Description	Remark	validity	trucks
1	8714899	1	ADDITIONAL LIFT MAST ASSY.			
2	8423378	6	SOCKET HEAD SCREW			
3	8410520	6	WASHER			
▶ 4		1	LIFT CYLINDER-ADDITIONAL LIFT	D=50mm/H=395mm/L=540mm		
8-12	8372449	1	CHAIN SUPPORT			
9	8269851	1	BOLT			
10	8269852	1	BEARING YOKE			
11	0384093	1	CHAIN ROLLER			
12	0505164	1	THREADED PIN			
14-19	8390099	1	CHAIN			
15	8273717	1	CHAIN			
16	8426915	2	BOLT			
17	0632134	1	CLAMPING BOLT			
18	0502240	2	HEXAGON NUT			
19	0632141	1	END LINK			
20	8269462	2	SUPPORT			
21	50214412803	2	EXTRUSION			
22	0161263	4	HEXAGON HEAD SCREW			
23	8002625	4	DETENT RING			
24	0502078	4	WASHER			
25	8407278	2	POSITION SWITCH			
26	8001489	4	SOCKET HEAD SCREW			
27	8002005	4	WASHER			
28	8002621	4	SPRING LOCK WASHER			
29	0502224	4	HEXAGON NUT			
30	8427584	2	HEATING			
31	0528974	6	CABLE TIE	2,5 x 100; sw		
32-34	8701692	1	CONTROL CURRENT CABLE	W974/9R29		
32-34	8701693	1	CONTROL CURRENT CABLE	W975/9R30		
33	8427608	1	HOUSING	2-PIN		
34	8427607	2	FEMALE DISCONNECT	0,5-1,5		
35	0147420	1	ADHESIVE	LOCTITE 243		
36	8013885	2	SPRING ELEMENT			

ADDITIONAL LIFTING DEVICE
EK11_12

L=1187mm/H=840mm/A=802mm "PSA"

Fig	Part-No.	Qty.	Description	Remark	validity	trucks
32	8422464	1	CONNECTOR			
33	8423293	1	CONNECTOR			
34	4491434	4	SOCKET HEAD SCREW			
35	8006261	4	SPRING LOCK WASHER			
36	4492277	4	WASHER			
37	8004977	2	HEXAGON NUT			
40	8017577	2	RING			
41	8017829	2	UNION NUT			
42	8017693	2	PIPE UNION			
43	0505314	2	SOCKET HEAD SCREW			
44	8006277	2	DETENT RING			
45	8006255	2	CLAMPING PIECE PAIR			
46	4004005	4	CHEESE-HEAD SCREW			
47	8006261	4	SPRING LOCK WASHER			
48	8013885	2	SPRING ELEMENT			
49	8005580	2	HEXAGON NUT			
50	8280724	1	CAPOT			
51	0505270	2	SOCKET HEAD SCREW			
52	8006257	2	SPRING LOCK WASHER			
53	0502226	2	HEXAGON NUT			
54-56	8701692	1	CONTROL CURRENT CABLE	W974/9R29		
54-56	8701693	1	CONTROL CURRENT CABLE	W975/9R30		
55	8427608	1	HOUSING	2-PIN		
56	8427607	2	FEMALE DISCONNECT	0,5-1,5		
57	8427584	2	HEATING			
58	0528974	6	CABLE TIE	2,5 x 100; sw		
59	0147420	1	ADHESIVE	LOCTITE 243		



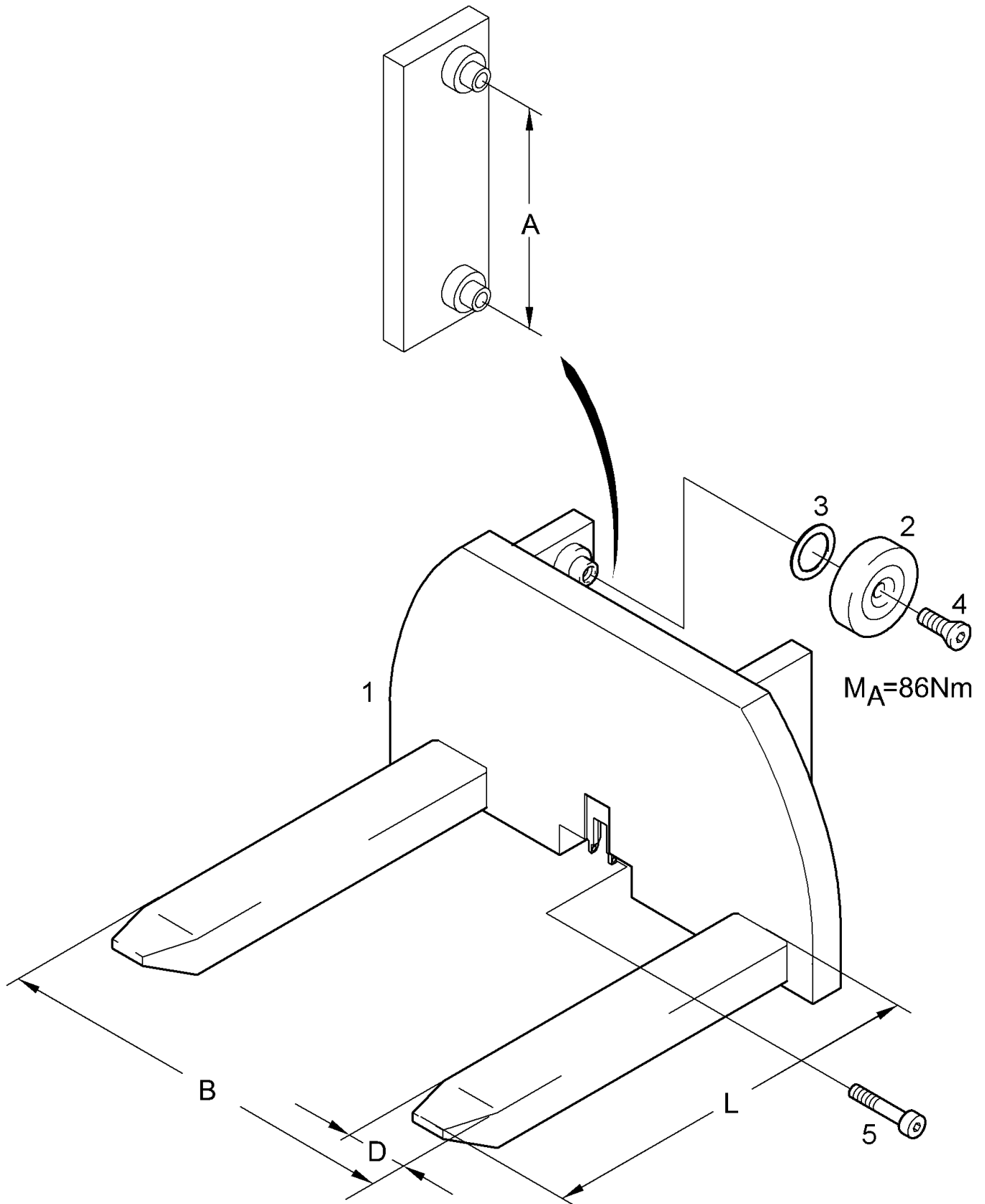
M0871-E208

lifting console

A=250mm/B=640mm/L=1000mm

EK11_12

Fig	Part-No.	Qty.	Description	Remark	validity	trucks
1	8384728	1	LIFTING CONSOLE			
2	8410443	4	ROLLER SUPPORT	Ø 75,2 mm		
2	0332865	4	SUPPORT ROLLER	Ø 75,7 mm		
2	0332866	4	SUPPORT ROLLER	Ø 76,2 mm		
3	8410440	1	SHIM RING	32x45x0,3		
3	8410441	1	SHIM RING	32x45x1		
4	8001837	4	COUNTERSUNK SCREW			
5	0520867	1	SOCKET HEAD SCREW			



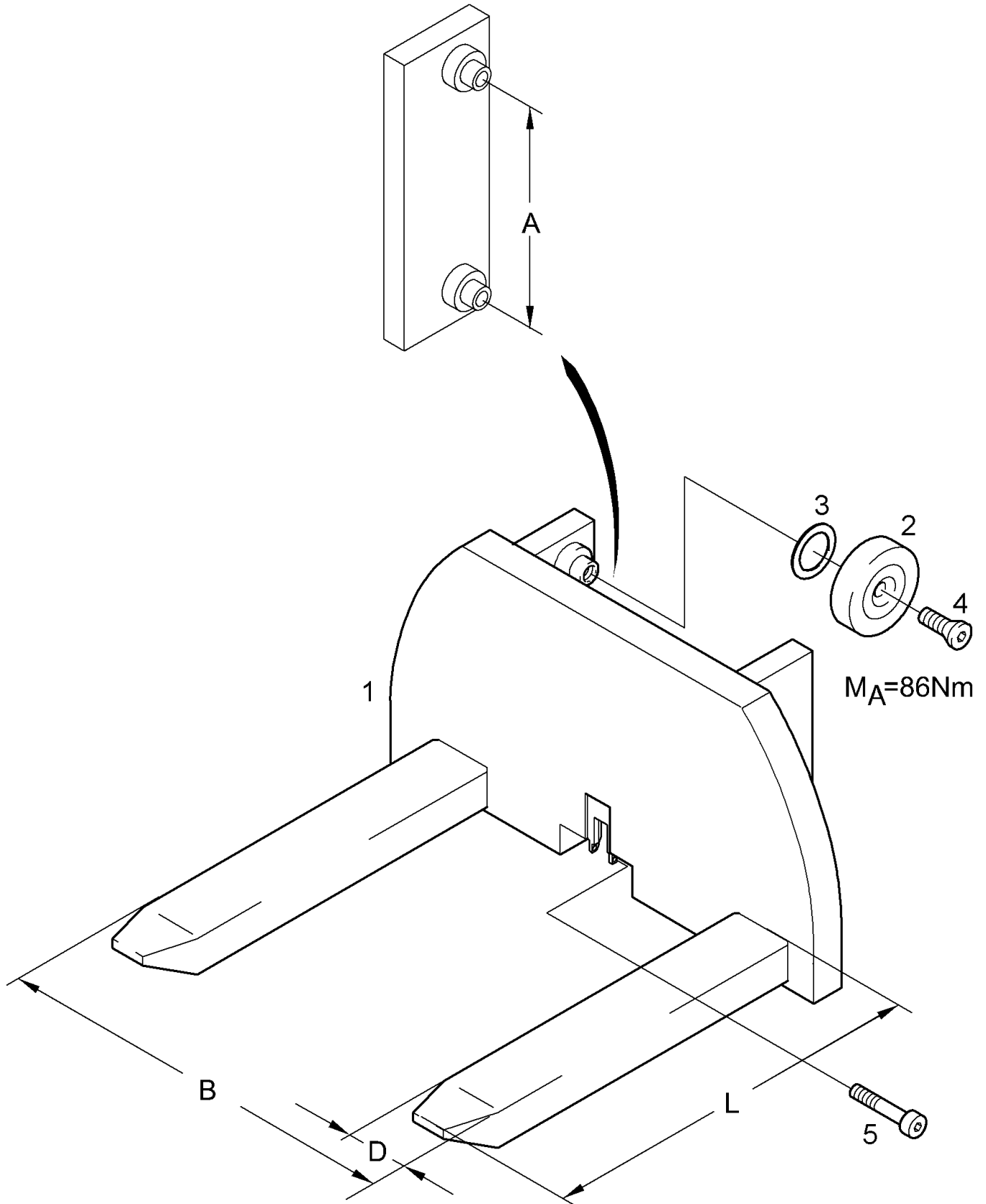
M0871-E208

lifting console

A=298mm/B=560mm/L=800mm

EK11_12

Fig	Part-No.	Qty.	Description	Remark	validity	trucks
1	8381680	1	LIFTING CONSOLE			
2	8410443	4	ROLLER SUPPORT	Ø 75,2 mm		
2	0332865	4	SUPPORT ROLLER	Ø 75,7 mm		
2	0332866	4	SUPPORT ROLLER	Ø 76,2 mm		
3	8410440	1	SHIM RING	32x45x0,3		
3	8410441	1	SHIM RING	32x45x1		
4	8001837	4	COUNTERSUNK SCREW			
5	0520867	1	SOCKET HEAD SCREW			



M0871-E208

lifting console

A=298mm/B=1040mm/L=1400mm

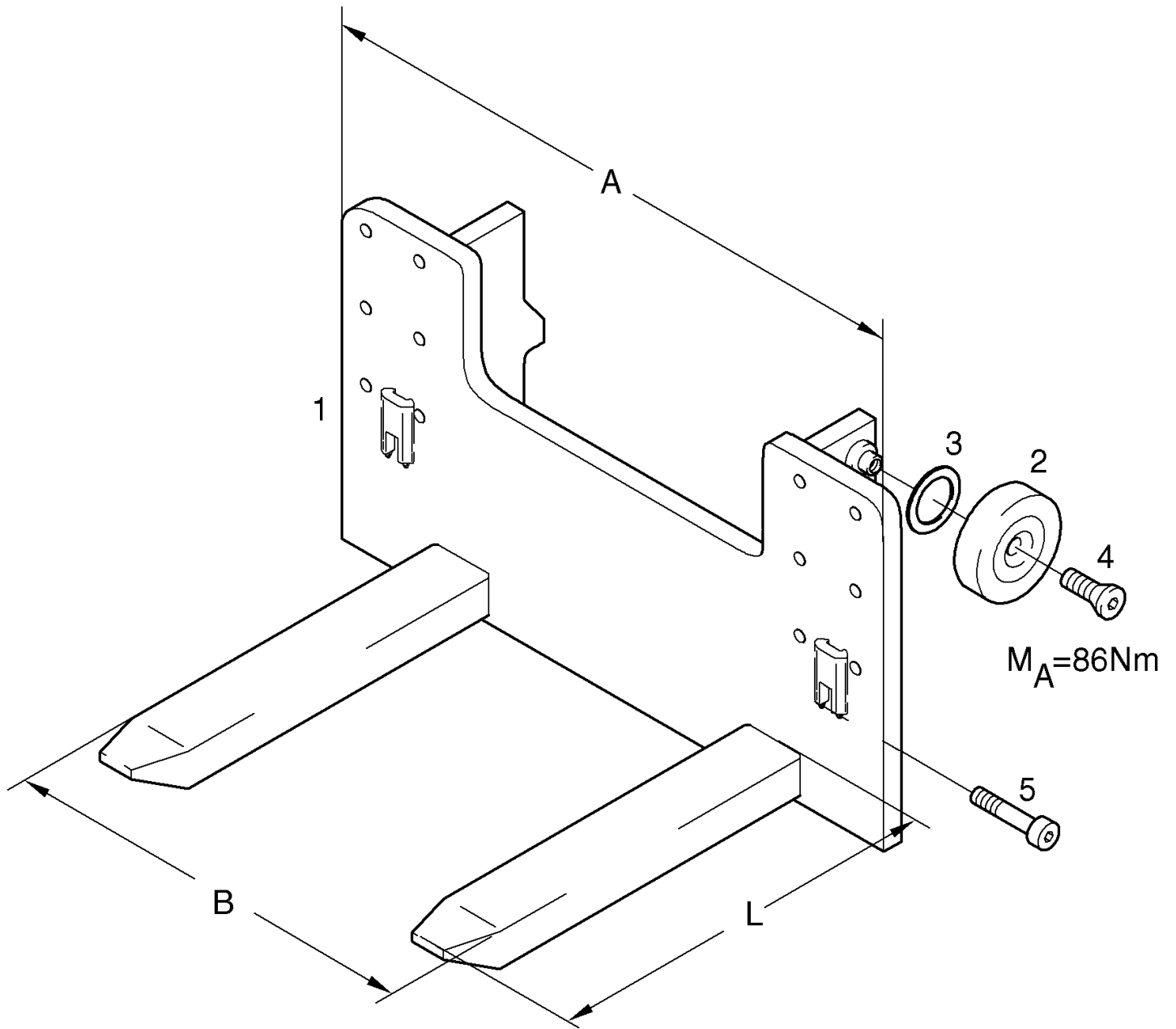
EK11_12

Fig	Part-No.	Qty.	Description	Remark	validity	trucks
1	8394774	1	LIFTING CONSOLE			
2	8410443	4	ROLLER SUPPORT	Ø 75,2 mm		
2	0332865	4	SUPPORT ROLLER	Ø 75,7 mm		
2	0332866	4	SUPPORT ROLLER	Ø 76,2 mm		
3	8410440	1	SHIM RING	32x45x0,3		
3	8410441	1	SHIM RING	32x45x1		
4	8001837	4	COUNTERSUNK SCREW			
5	0520867	1	SOCKET HEAD SCREW			

lifting console

A=900mm/B=560mm/L=1150mm

EK11_12



M0872-E209

lifting console

EK11_12

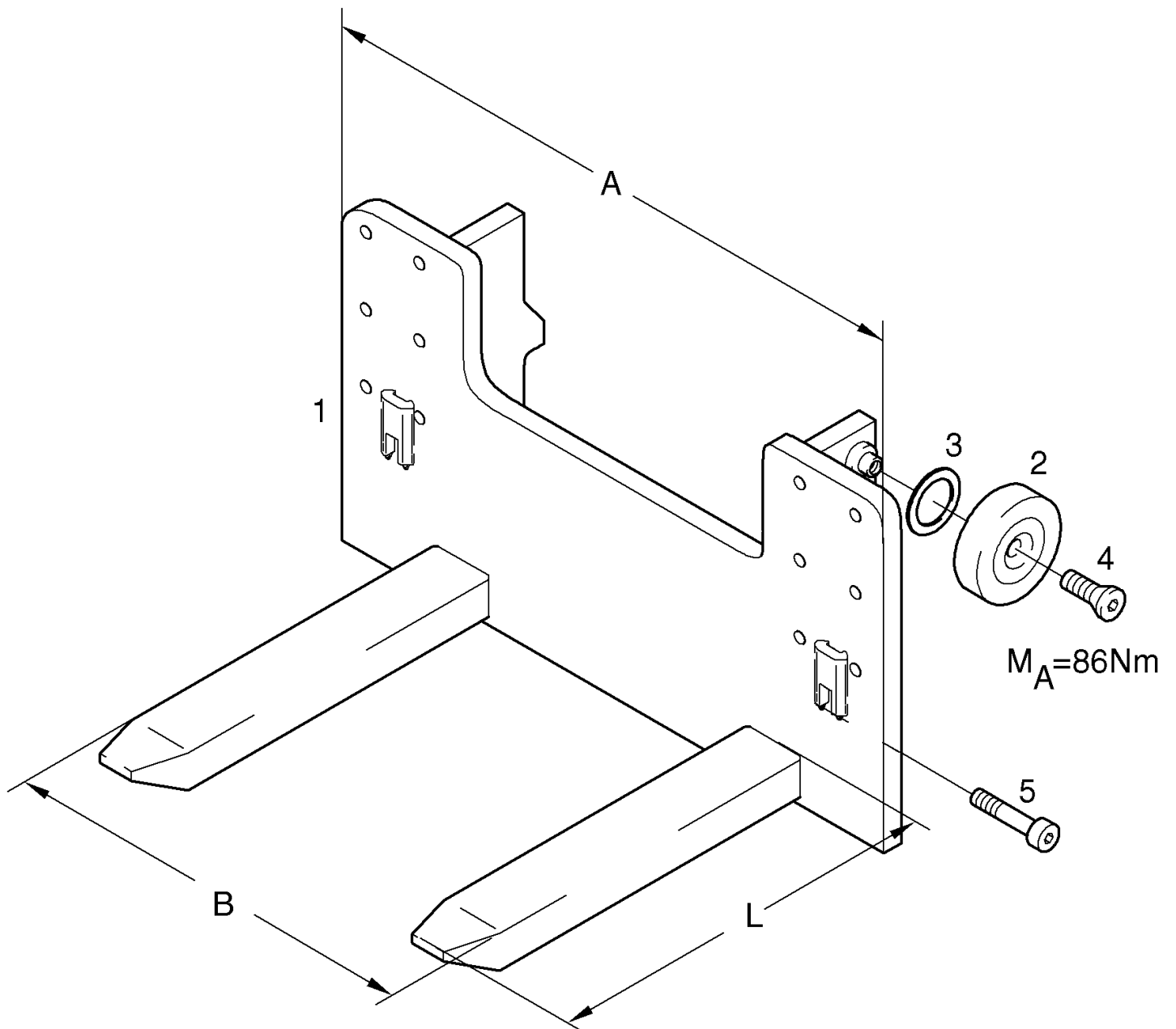
A=1170mm/B=560mm/L=600mm

Fig	Part-No.	Qty.	Description	Remark	validity	trucks
1	8704534	1	LIFTING CONSOLE			
2	8410443	4	ROLLER SUPPORT	Ø 75,2 mm		
2	0332865	4	SUPPORT ROLLER	Ø 75,7 mm		
2	0332866	4	SUPPORT ROLLER	Ø 76,2 mm		
3	8410440	1	SHIM RING	32x45x0,3		
3	8410441	1	SHIM RING	32x45x1		
4	8001837	4	COUNTERSUNK SCREW			
5	0520867	1	SOCKET HEAD SCREW			

lifting console

A=1200mm/B=620mm/L=800mm

EK11_12



M0872-E209

lifting console

A=1200mm/B=880mm/L=1200mm

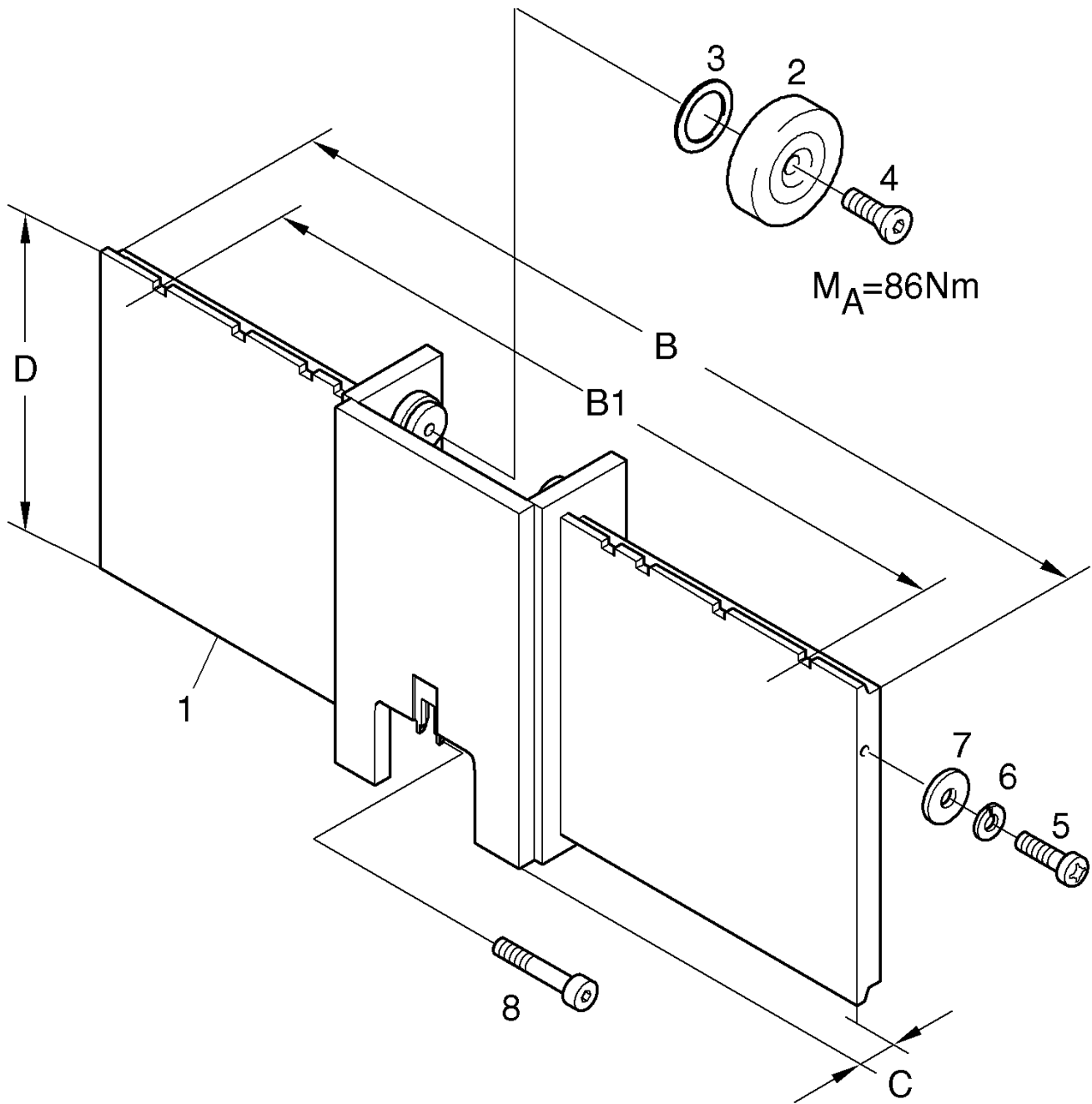
EK11_12

Fig	Part-No.	Qty.	Description	Remark	validity	trucks
1	8387240	1	LIFTING CONSOLE			
2	8410443	4	ROLLER SUPPORT	Ø 75,2 mm		
2	0332865	4	SUPPORT ROLLER	Ø 75,7 mm		
2	0332866	4	SUPPORT ROLLER	Ø 76,2 mm		
3	8410440	1	SHIM RING	32x45x0,3		
3	8410441	1	SHIM RING	32x45x1		
4	8001837	4	COUNTERSUNK SCREW			
5	0520867	1	SOCKET HEAD SCREW			

FORK CARRIAGE

D=153mm/C=30mm/B=1210mm/B1=1070mm

EK11_12



M1571 -E210

FORK CARRIAGE

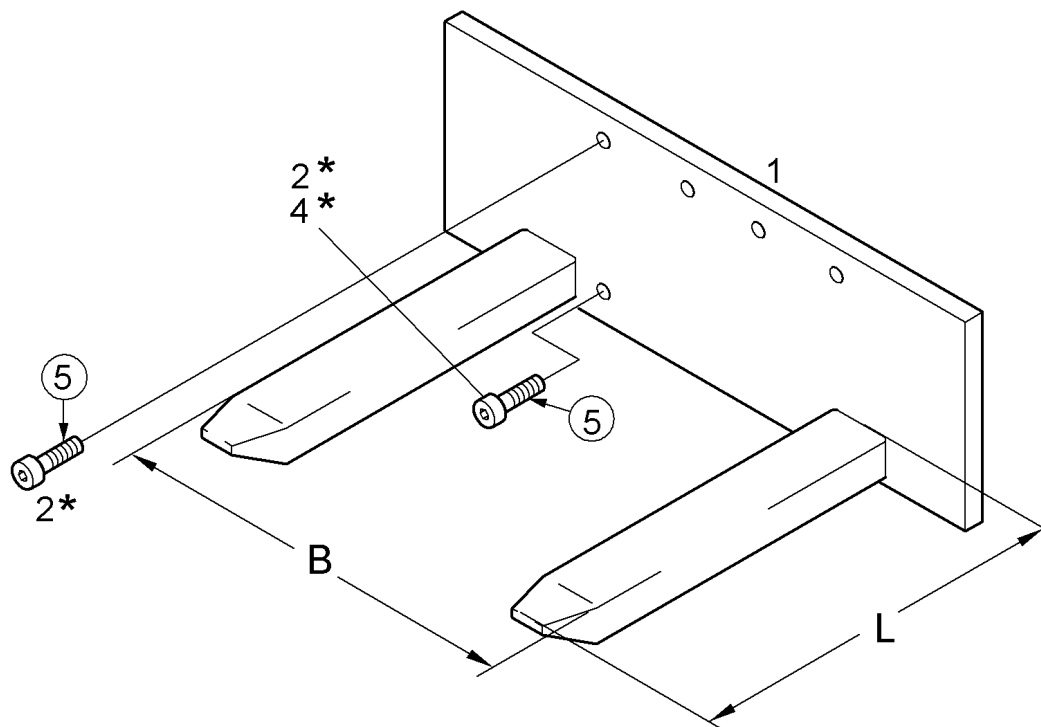
EK11_12

D=331mm/C=30mm/B=850mm/B1=760mm

Fig	Part-No.	Qty.	Description	Remark	validity	trucks
1	8385483	1	FORK CARRIAGE			
2	8410443	4	ROLLER SUPPORT	Ø 75,2 mm		
2	0332865	4	SUPPORT ROLLER	Ø 75,7 mm		
2	0332866	4	SUPPORT ROLLER	Ø 76,2 mm		
3	8410440	1	SHIM RING	32x45x0,3		
3	8410441	1	SHIM RING	32x45x1		
4	8001837	4	COUNTERSUNK SCREW			
5	8410009	2	BUTTON HEAD SCREW			
6	8002637	2	SPRING LOCK WASHER			
7	8002103	2	WASHER			
8	0520867	1	SOCKET HEAD SCREW			

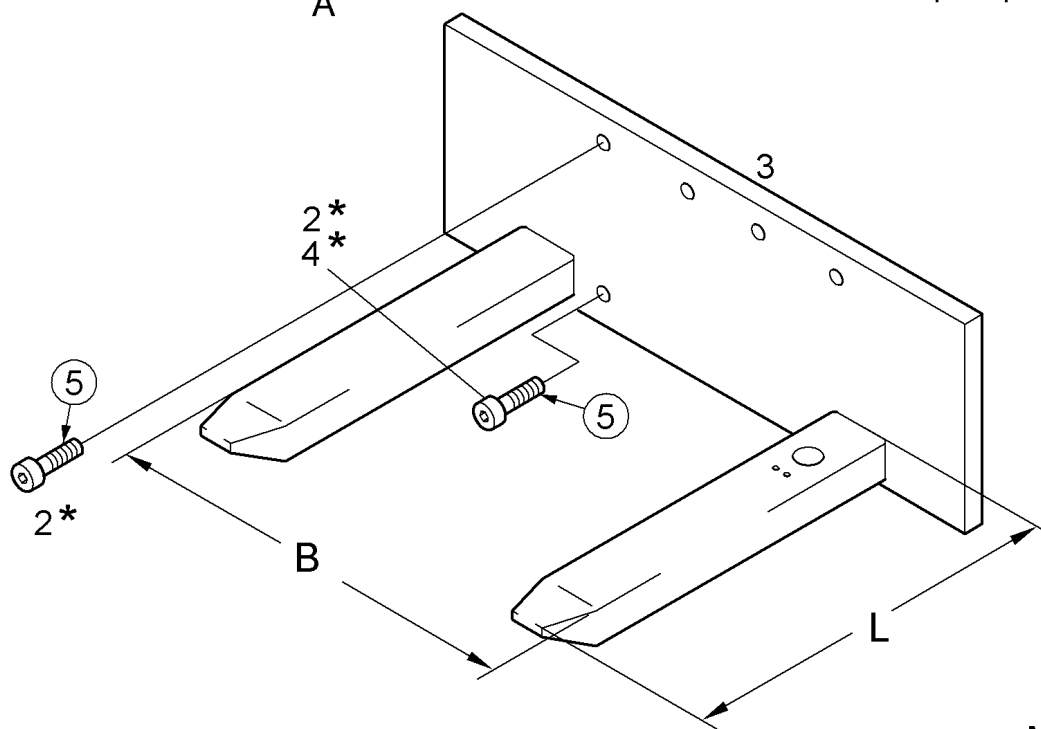
- * M12 - 10.9 → M_A = 110Nm
- M12 - 12.9 → M_A = 135Nm
- M16 - 8.8 → M_A = 200Nm

ohne Palettenschalter
without pallet switch
sans interrupteur de palette
senza interruttore per paletta
sin interruptor para paleta



- * M12 - 10.9 → M_A = 110Nm
- M12 - 12.9 → M_A = 135Nm
- M16 - 8.8 → M_A = 200Nm

mit Palettenschalter
with pallet switch
avec interrupteur de palette
con interruttore per paletta
con interruptor para paleta



M0875-E211

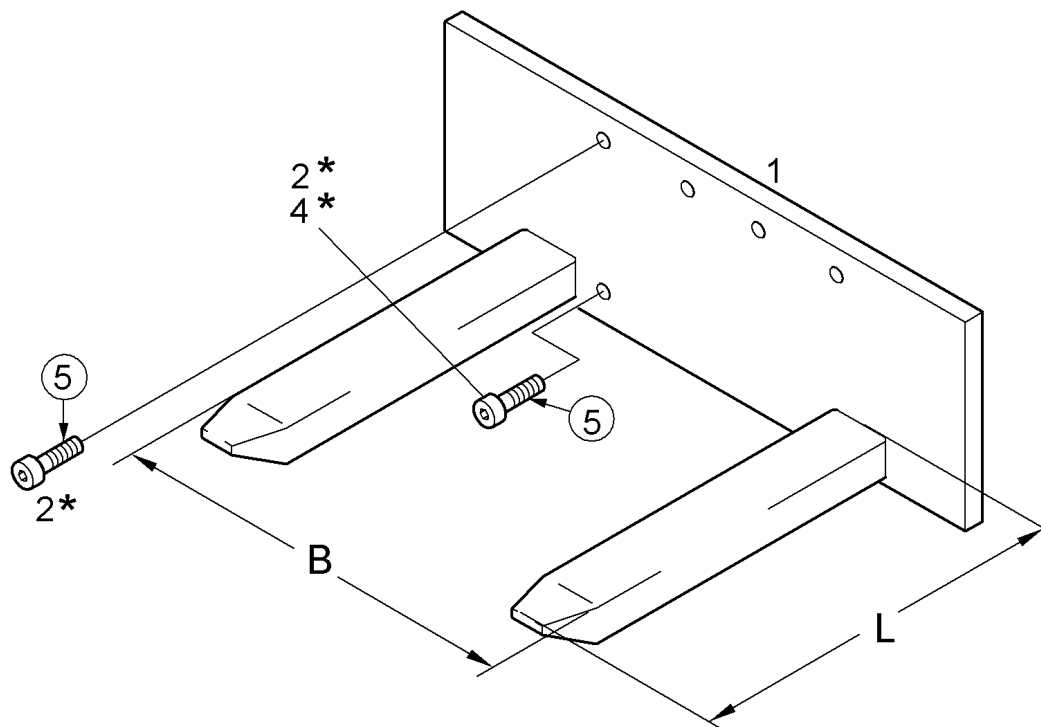
Fig	Part-No.	Qty.	Description	Remark	validity	trucks
1	8382807	1	FORK CARRIAGE			
2	8423378	6	SOCKET HEAD SCREW			
2	8410518	6	SOCKET HEAD SCREW	12.9		
4	8418288	2	SOCKET HEAD SCREW	10.9		
5	0147420	1	ADHESIVE	LOCTITE 243		

* M12 - 10.9 → M_A = 110Nm

M12 - 12.9 → M_A = 135Nm

M16 - 8.8 → M_A = 200Nm

ohne Palettenschalter
without pallet switch
sans interrupteur de palette
senza interruttore per paletta
sin interruptor para paleta

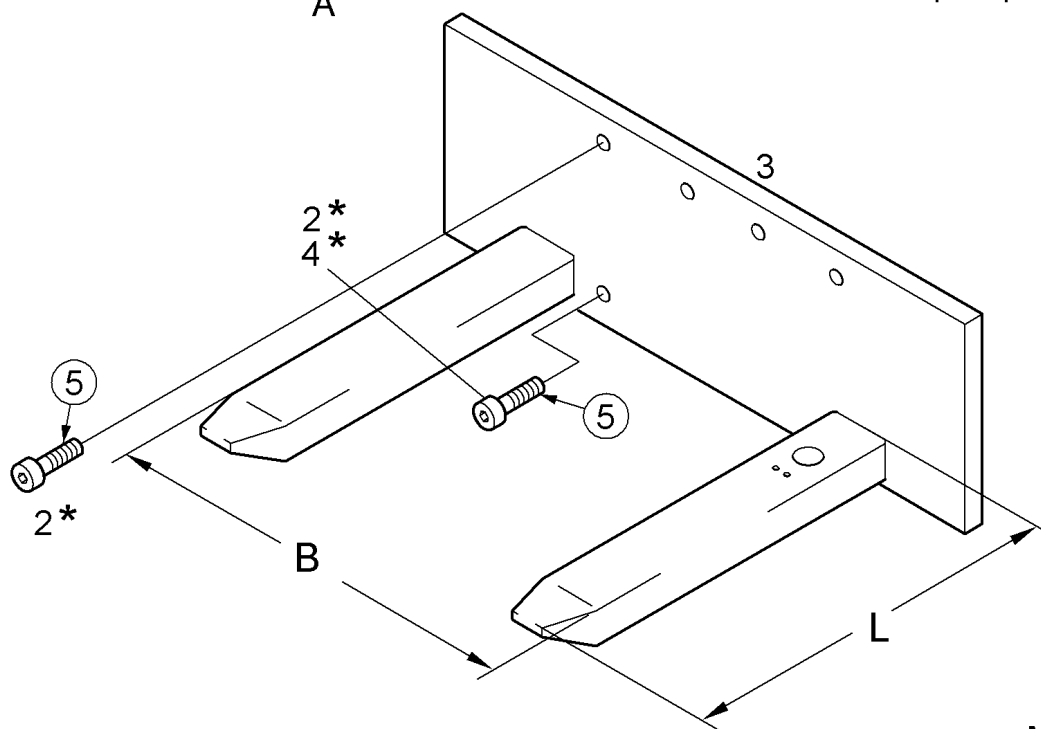


* M12 - 10.9 → M_A = 110Nm

M12 - 12.9 → M_A = 135Nm

M16 - 8.8 → M_A = 200Nm

mit Palettenschalter
with pallet switch
avec interrupteur de palette
con interruttore per paletta
con interruptor para paleta



M0875-E211

FORK CARRIAGE

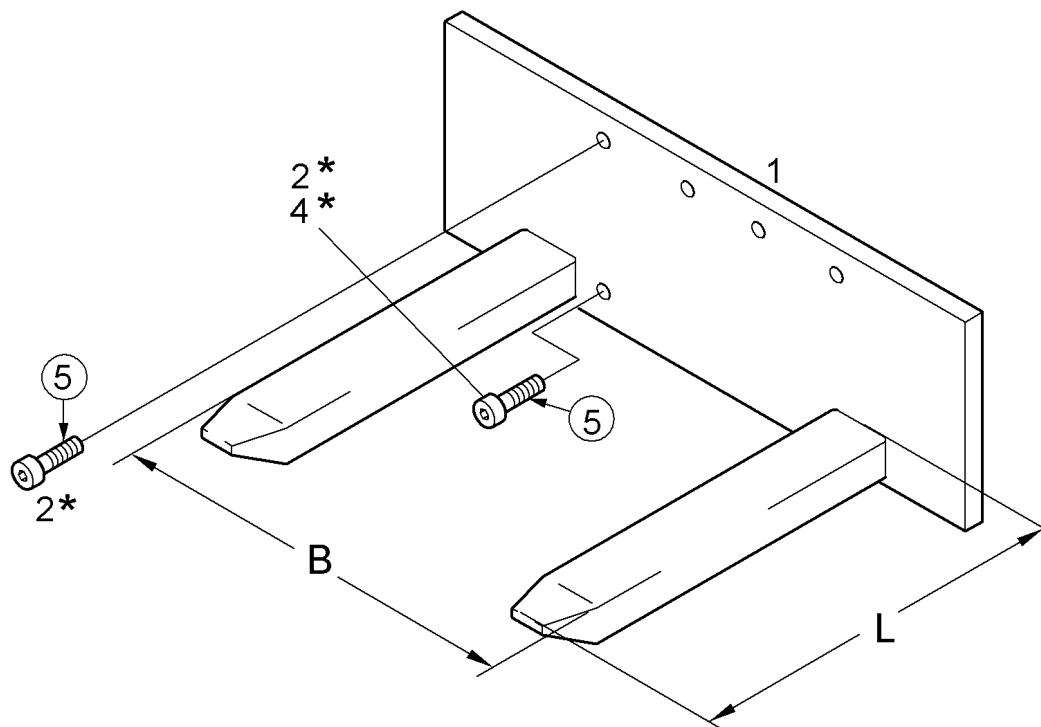
B=640mm/L=1200mm

EK11_12

Fig	Part-No.	Qty.	Description	Remark	validity	trucks
2	8423378	6	SOCKET HEAD SCREW			
2	8410518	6	SOCKET HEAD SCREW	12.9		
3	8388204	1	FORK CARRIAGE			
4	8418288	2	SOCKET HEAD SCREW	10.9		
5	0147420	1	ADHESIVE	LOCTITE 243		

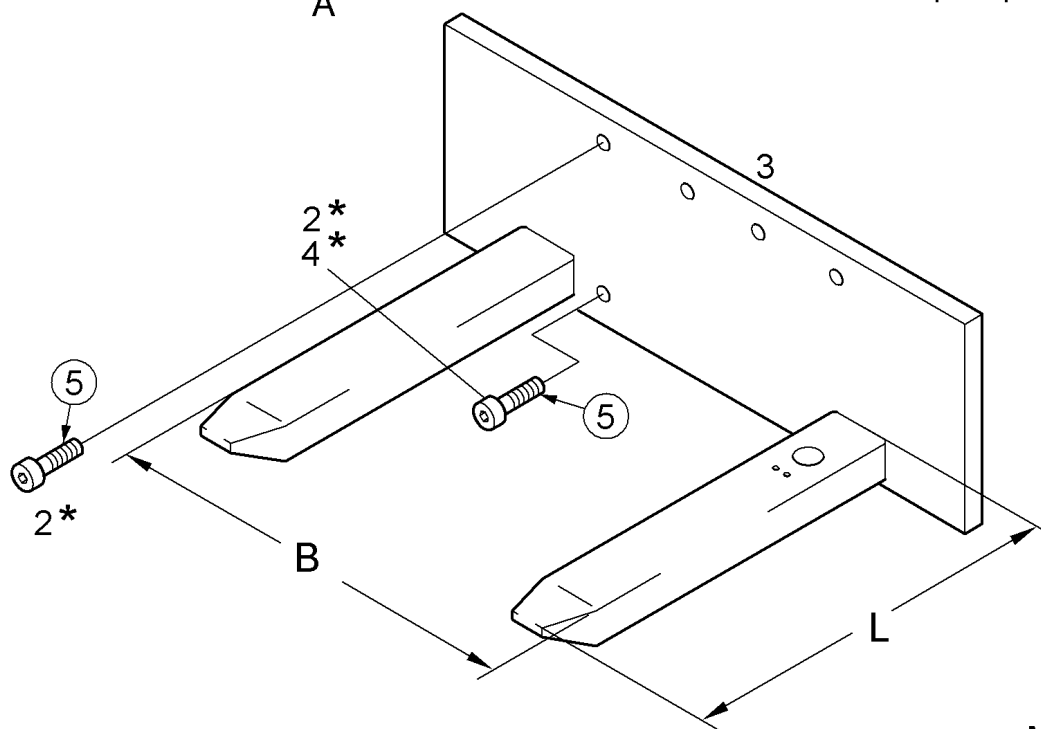
- * M12 - 10.9 → M_A = 110Nm
- M12 - 12.9 → M_A = 135Nm
- M16 - 8.8 → M_A = 200Nm

ohne Palettenschalter
without pallet switch
sans interrupteur de palette
senza interruttore per paletta
sin interruptor para paleta



- * M12 - 10.9 → M_A = 110Nm
- M12 - 12.9 → M_A = 135Nm
- M16 - 8.8 → M_A = 200Nm

mit Palettenschalter
with pallet switch
avec interrupteur de palette
con interruttore per paletta
con interruptor para paleta



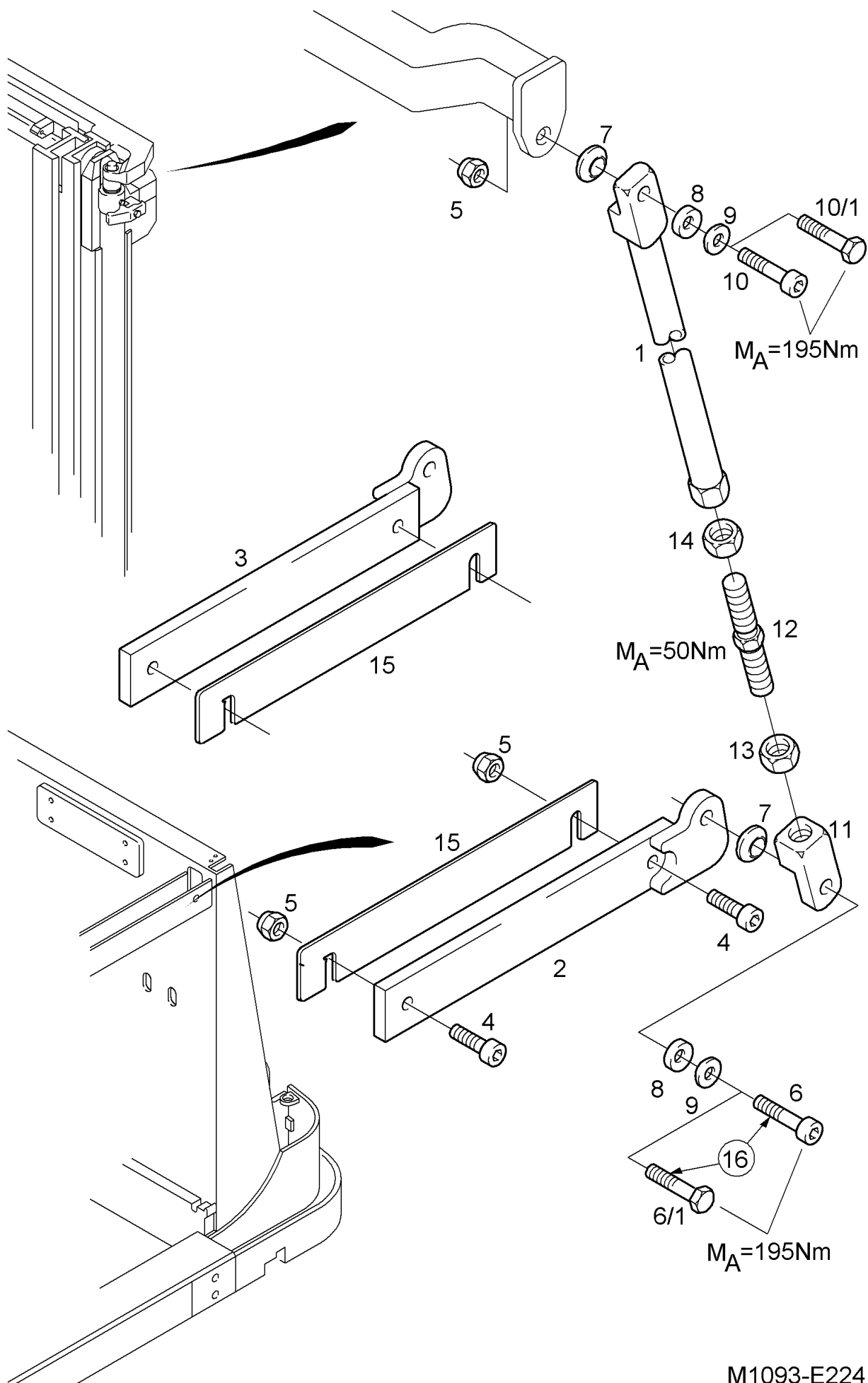
M0875-E211

FORK CARRIAGE

B=1400mm/L=1500mm

EK11_12

Fig	Part-No.	Qty.	Description	Remark	validity	trucks
2	4491559	8	HEXAGON HEAD SCREW			
2	8002649	8	SPRING LOCK WASHER			
3	52114406627	1	FORK CARRIAGE ASSY.			



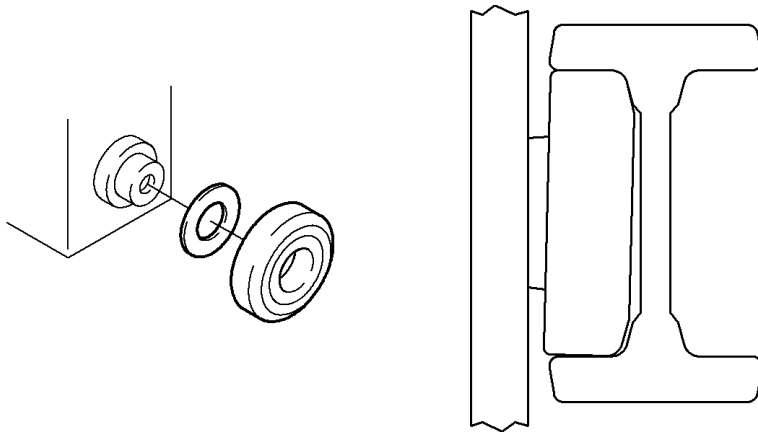
M1093-E224

LIFT CYLINDER

EK11_12

D=68mm/H=962,5mm/L=1183mm

Fig	Part-No.	Qty.	Description	Remark	validity	trucks
1-14	0615373	1	LIFT CYLINDER, COMPL.			
1	0615368	1	CYLINDER BARREL			
2	0615358	1	PISTON ROD			
3	0626042	1	BUSHING			
4-7	0715581	1	CYLINDER HEAD ASSY.			
5	0522350	1	HEXAGON HEAD SCREW			
6	0500265	1	SEAL RING			
7	0149102	1	SEAL KIT			
8	0604669	1	BUSHING			
9	0647158	1	PISTON			
10	0604671	1	PISTON COVER			
11	0527691	1	SNAP RING			
12	0527692	1	SPRING			
13	0147420	1	ADHESIVE	LOCTITE 243		
14	8052012	1	LIQUID PLASTIC	LOCTITE0275		



Zulässiges radiales Spiel (mm)
min. 0,05 max. 0,5 an engster Stelle, sonst max. 0,7

Zulässiges seitliches Spiel (mm)
min. 0,1 - max. 0,3 an engster Stelle, sonst max. 1,1
bei 6 Rollen Gabelträger: Spiel der mittleren Rollen um 0,2 größer als Spiel der oberen Rollen

Permissible radial clearance (mm)
min. 0.05 max. 0.5 at the max. tightmost spot otherwise 0.7 at the max.

Permissible lateral clearance (mm)
0.1 at the min., 0.3 at the max. tightmost spot otherwise 1.1 at the max.
with 6 roller fork mount: Clearance of the central rollers 0.2 higher than clearance of top rollers

Jeu admissible radial (mm)
min. 0,05 maxi. 0,5 sur la partie la plus étroite sinon 0,7 au maxi.

Jeu admissible latéral (mm)
0,1 au mini., 0,3 maxi. sur la partie la plus étroite sinon 1,1 au maxi.
avec tablier 6 porte-fourche: Jeu des galets centraux 0,2 plus grand que jeu des galets supérieurs

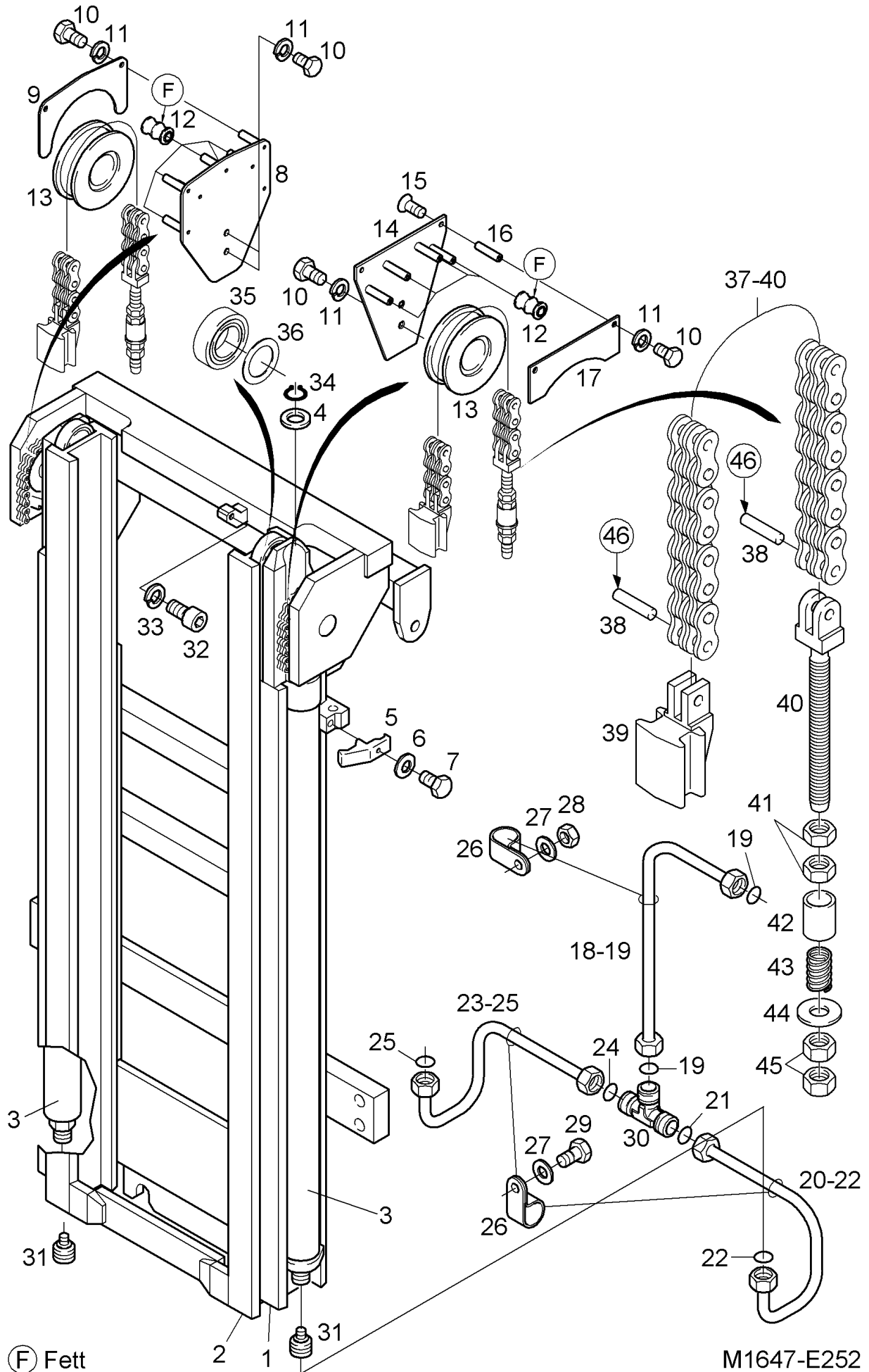
Gioco radiale ammissibile (mm)
min. 0,05 max. 0,5 sul punto più stretto altrove max. 0,7

Gioco laterale ammissibile (mm)
min. 0,1 - max. 0,3 sul punto più stretto altrove max. 1,1
con piastra 6 portaforca: Gioco dei rulli centrali 0,2 più grande che gioco dei rulli superiori

Holgura radial admisible (mm)
mín. 0,05 máx. 0,5 en la parte más angosta sino de máx. 0,7

Holgura lateral admisible (mm)
mín. 0,1, máx. 0,3 en la parte más angosta sino de máx. 1,1
con porta-horquillas 6: Holgura rodillos centrais 0,2 más grande que rodillos arribas

Fig	Part-No.	Qty.	Description	Remark	validity	trucks
1	0717402	1	LIFT MAST OUTER ASSY.			
2	0717401	1	LIFT MAST INNER ASSY.			
▶ 3		2	LIFT CYLINDER	D=46mm/H=2275mm/L=2433mm	->07.06.2015	
4	0514356	2	SUPPORT WASHER			
5	0631189	2	TENSIONER			
6	8002016	2	SPHERICAL WASHER			
7	0522379	2	HEXAGON BOLT			
8	0640209	1	ROLLER RETAINER, WD			
9	0633999	1	ROLLER RETAINER			
10	0501014	8	HEXAGON HEAD SCREW			
11	8002629	8	DETENT RING			
12	0286600	9	HOSE PULLEY			
13	0390555	2	CHAIN ROLLER			
14	0626897	1	ROLLER RET., LEFT, WD			
15	0502270	2	COUNTERSUNK SCREW			
16	0285098	2	AXLE			
17	0632003	1	MOULDING			
18-19	0529098	1	PIPE, TUBE			
19	0158519	2	O-RING			
20-22	0529670	1	PIPE/TUBE, LEFT			
21	0158519	1	O-RING			
22	0508794	1	O-RING			
23-25	0529671	1	PIPE/TUBE, RIGHT			
24	0158519	1	O-RING			
25	0508794	1	O-RING			
26	0502921	3	PIPE CLAMP			
27	8006266	3	SPRING LOCK WASHER			
28	0502231	1	HEXAGON NUT			
29	4491536	2	HEXAGON HEAD SCREW			
30	9721000515	1	PIPE UNION			
31	0527694	2	CHECK VALVE			
32	0505290	1	SOCKET HEAD SCREW			



(F) Fett

M1647-E252

LIFT CYLINDER

EK11_12

D=52mm/H=3075mm/L=3233mm

Fig	Part-No.	Qty.	Description	Remark	validity	trucks
1-13	51784407900	1	LIFT CYLINDER			
1	0632378	1	CYLINDER BARREL			
2	0734344	1	PISTON ROD			
3-6	0702081	1	CYLINDER HEAD, COMPL.			
4	0522350	1	HEXAGON HEAD SCREW			
5	0500265	1	SEAL RING			
6	0164892	1	SEAL KIT			
7	0631036	1	PISTON COVER			
8	0632372	1	PISTON			
9	0526732	1	SNAP RING			
10	0526733	1	COMPRESSION SPRING			
12	0147420	1	ADHESIVE	LOCTITE 243		
13	8052012	1	LIQUID PLASTIC	LOCTITE0275		

LIFT CYLINDER

D=52mm/H=3875mm/L=4233mm

EK11_12

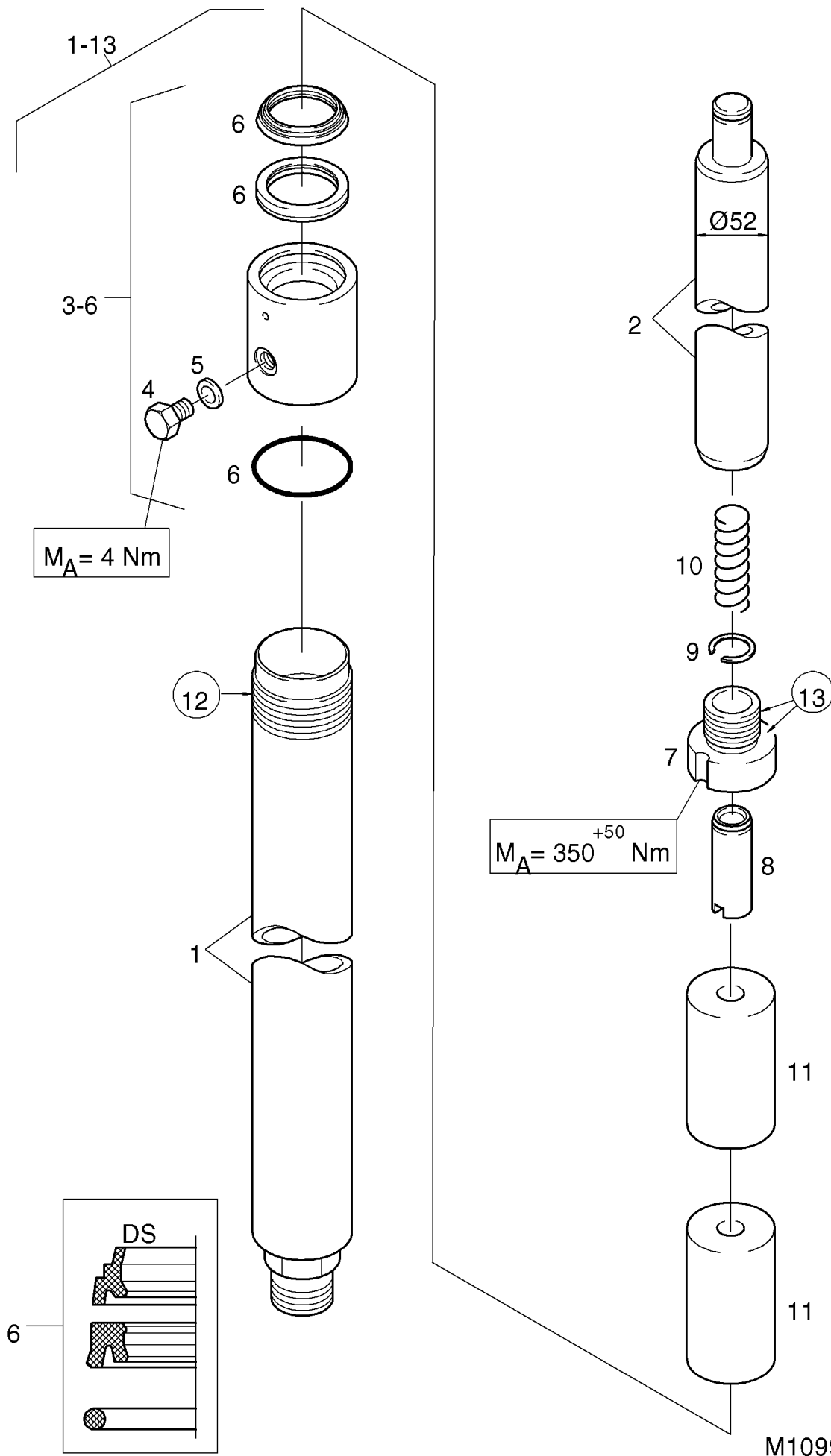
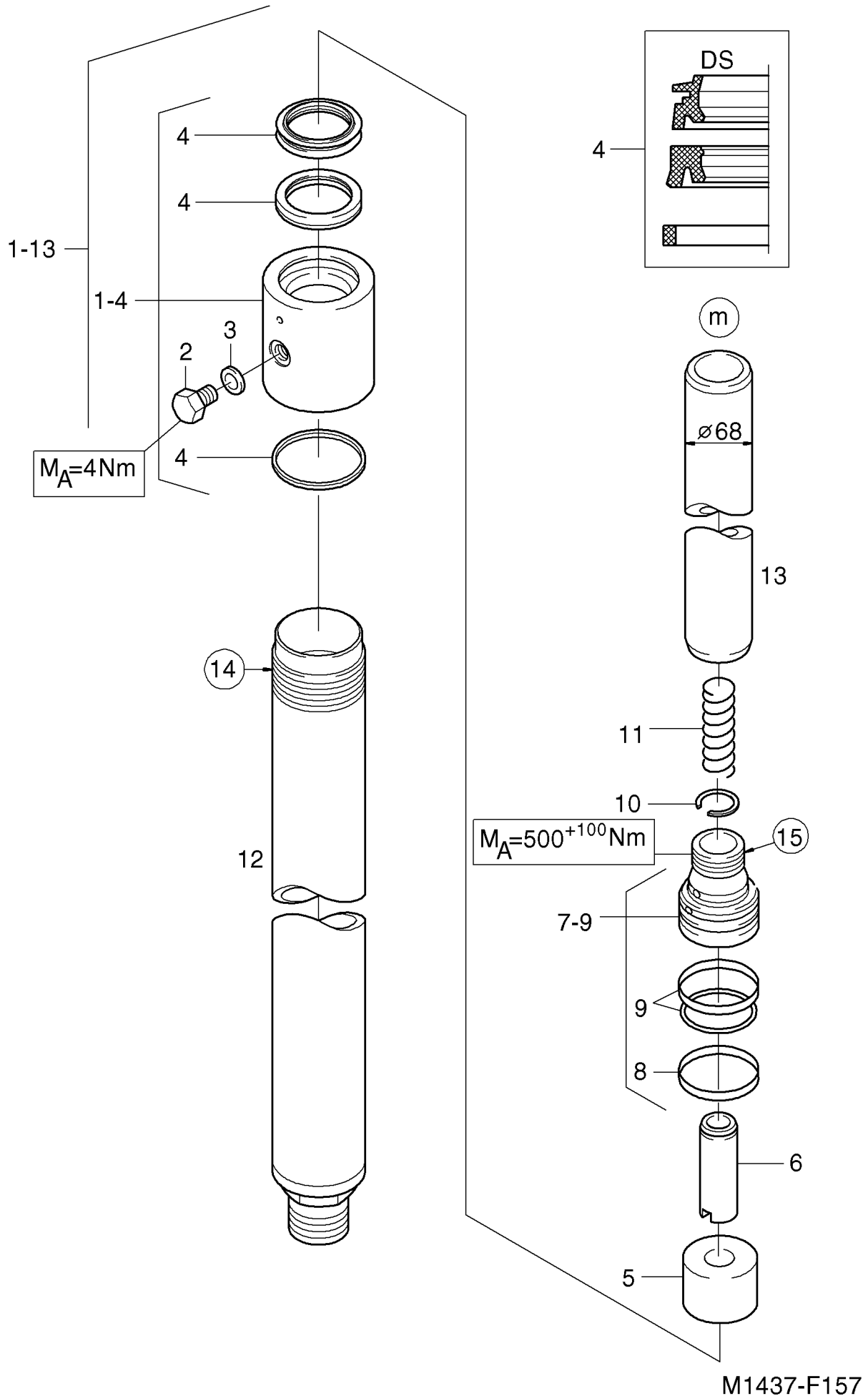


Fig	Part-No.	Qty.	Description	Remark	validity	trucks
1	0650806	1	OUTER MAST			
2	0650799	1	INTERMEDIATE MAST			
3	0650792	1	INNER MAST			
▶ 4		1	LIFT CYLINDER	D=68mm/H=832,5mm/L=1009mm		
▶ 5		1	LIFT CYLINDER	D=46mm/H=1375mm/L=1499mm		
▶ 6		1	LIFT CYLINDER	D=46mm/H=1375mm/L=1461mm		
7	8006266	8	SPRING LOCK WASHER			
8	0352898	2	FINGER PROTECTION			
9	0384093	2	CHAIN ROLLER			
10	0631189	2	TENSIONER			
11	8002016	2	SPHERICAL WASHER			
12	0522379	2	HEXAGON BOLT			
13	0390555	2	CHAIN ROLLER			
14	0501014	26	HEXAGON HEAD SCREW			
15	8002629	12	DETENT RING			
16	0605599	2	COVER			
17	0286600	20	HOSE PULLEY			
18	0705406	1	ROLLER RETAINER, WD	right		
19	0705404	1	ROLLER RET., LEFT, WD	left		
20	0318629	7	AXLE			
21	8004785	1	HEXAGON HEAD SCREW			
22	8412073	1	WASHER			
23	0632066	1	ROLLER RETAINER, WD			
24	0522121	1	SOCKET HEAD SCREW			
25	8006277	1	DETENT RING			
26	0604679	1	CROSSHEAD			
27	0626919	1	CLAMP			
28	0502140	2	SOCKET HEAD SCREW			
29	8006269	2	SPRING LOCK WASHER			
30	0283194	1	ADAPTOR			
31	0523937	1	THREADED PIPE			
32-34	0529701	1	PIPE, TUBE			
33	0145047	1	O-RING			

LIFT CYLINDER

D=68mm/H=972,5mm/L=1109mm

EK11_12



LIFT CYLINDER

EK11_12

D=46mm/H=1725mm/L=1811mm

Fig	Part-No.	Qty.	Description	Remark	validity	trucks
1-9	0725404	1	LIFT CYLINDER			
1	0618924	1	CYLINDER BARREL			
2	0725405	1	PISTON BARREL			
3-6	0640099	1	CYLINDER HEAD			
4	0522350	1	HEXAGON HEAD SCREW			
5	0500265	1	SEAL RING			
6	0164747	1	SEAL KIT			
7	0602481	1	SNAP RING			
8	0602566	1	GUIDE STRIP			
9	0147420	1	ADHESIVE	LOCTITE 243		

LIFT CYLINDER

EK11_12

D=46mm/H=2145mm/L=2511mm

Fig	Part-No.	Qty.	Description	Remark	validity	trucks
1-13	0734294	1	LIFT CYLINDER ASSY.			
1	0618938	1	CYLINDER BARREL			
2	0734295	1	PISTON ROD			
3-6	0640099	1	CYLINDER HEAD			
4	0522350	1	HEXAGON HEAD SCREW			
5	0500265	1	SEAL RING			
6	0164747	1	SEAL KIT			
7	0631034	1	PISTON COVER			
8	0632372	1	PISTON			
9	0526732	1	SNAP RING			
10	0526733	1	COMPRESSION SPRING			
11	0147420	1	ADHESIVE	LOCTITE 243		
12	8052012	1	LIQUID PLASTIC	LOCTITE0275		
13	0734293	1	BUSH			

CLICK HERE TO **DOWNLOAD** THE COMPLETE MANUAL

- Thank you very much for reading the preview of the manual.
- You can download the complete manual from: www.heydownloads.com by clicking the link below



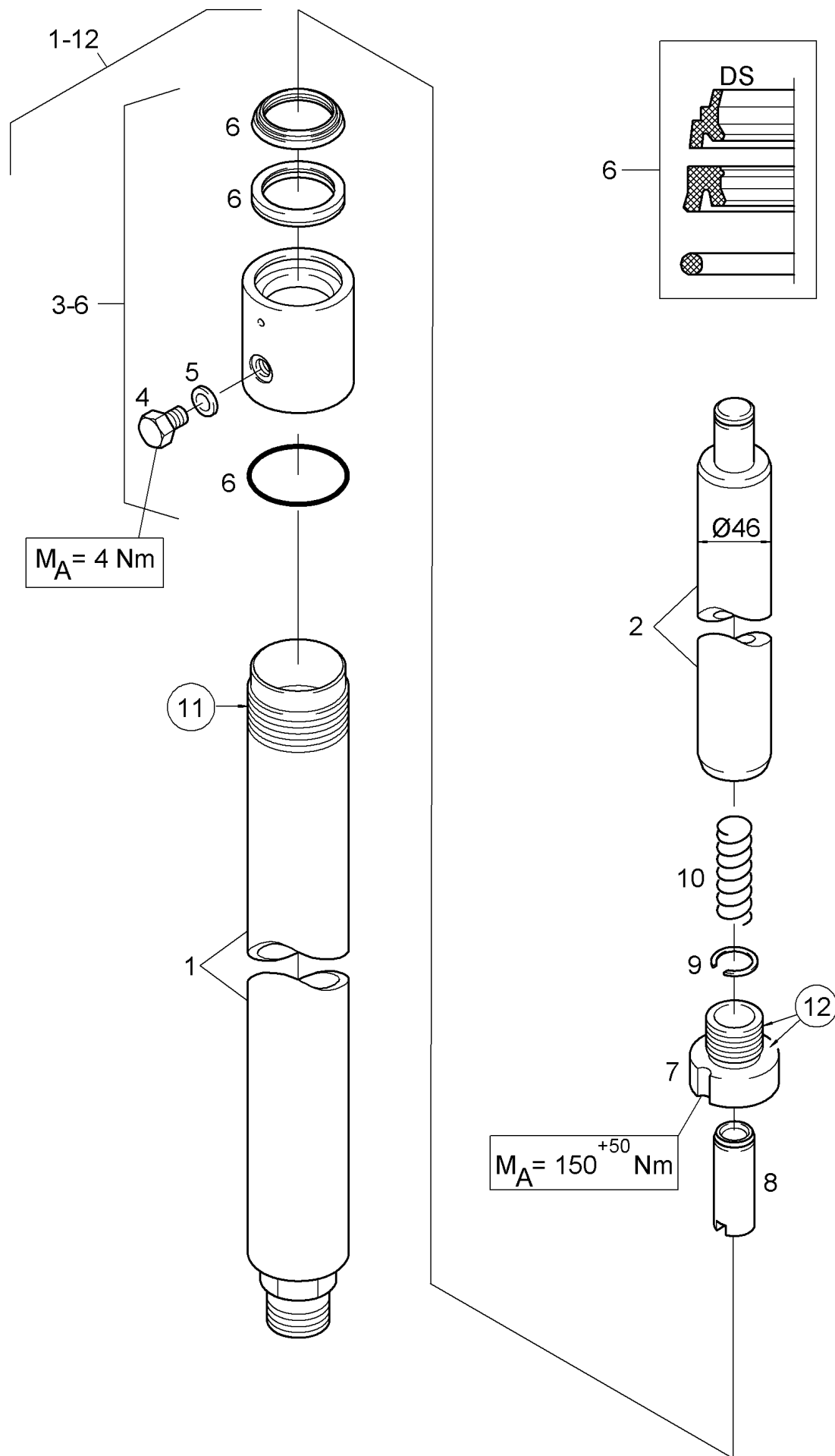
- Please note: If there is no response to CLICKING the link, please download this PDF first and then click on it.

CLICK HERE TO **DOWNLOAD** THE COMPLETE MANUAL

LIFT CYLINDER

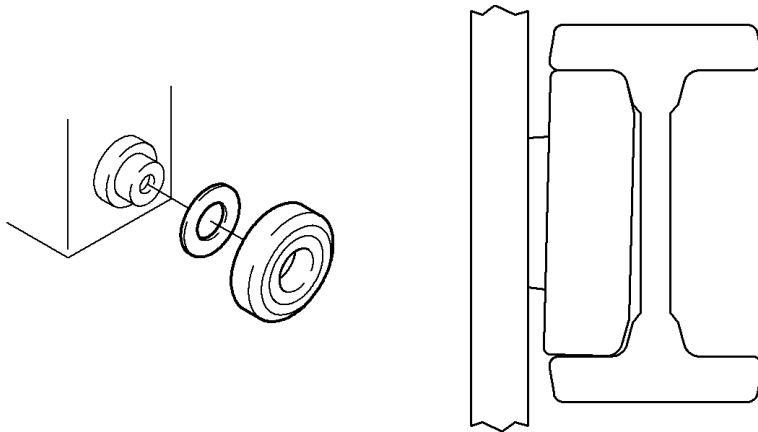
D=46mm/H=2275mm/L=2399mm

EK11_12



M1100-F147

Fig	Part-No.	Qty.	Description	Remark	validity	trucks
1	8432435	1	LIFT MAST OUTER ASSY.			
2	0716478	1	LIFT MAST MIDDLE ASSY.			
3	0716480	1	LIFT MAST INNER ASSY.			
▶ 4		1	LIFT CYLINDER	D=68mm/H=1607,5mm/L=1784mm		
▶ 5		1	LIFT CYLINDER	D=46mm/H=2575mm/L=2699mm		
▶ 6		1	LIFT CYLINDER	D=46mm/H=2575mm/L=2661mm		
7	8006266	8	SPRING LOCK WASHER			
8	0352898	2	FINGER PROTECTION			
9	0384093	2	CHAIN ROLLER			
10	0631189	2	TENSIONER			
11	8002016	2	SPHERICAL WASHER			
12	0522379	2	HEXAGON BOLT			
13	0390555	2	CHAIN ROLLER			
14	0501014	26	HEXAGON HEAD SCREW			
15	8002629	12	DETENT RING			
16	0605599	2	COVER			
17	0286600	20	HOSE PULLEY			
18	0705406	1	ROLLER RETAINER, WD	right		
19	0705404	1	ROLLER RET., LEFT, WD	left		
20	0318629	7	AXLE			
21	8004785	1	HEXAGON HEAD SCREW			
22	8412073	1	WASHER			
23	0632066	1	ROLLER RETAINER, WD			
24	0522121	1	SOCKET HEAD SCREW			
25	8006277	1	DETENT RING			
26	0604679	1	CROSSHEAD			
27	0626919	1	CLAMP			
28	0502140	2	SOCKET HEAD SCREW			
29	8006269	2	SPRING LOCK WASHER			
30	0283194	1	ADAPTOR			
31	0523937	1	THREADED PIPE			
32-34	0529701	1	PIPE, TUBE			
33	0145047	1	O-RING			



Zulässiges radiales Spiel (mm)
min. 0,05 max. 0,5 an engster Stelle, sonst max. 0,7

Zulässiges seitliches Spiel (mm)
min. 0,1 - max. 0,3 an engster Stelle, sonst max. 1,1
bei 6 Rollen Gabelträger: Spiel der mittleren Rollen um 0,2 größer als Spiel der oberen Rollen

Permissible radial clearance (mm)
min. 0.05 max. 0.5 at the max. tightmost spot otherwise 0.7 at the max.

Permissible lateral clearance (mm)
0.1 at the min., 0.3 at the max. tightmost spot otherwise 1.1 at the max.
with 6 roller fork mount: Clearance of the central rollers 0.2 higher than clearance of top rollers

Jeu admissible radial (mm)
min. 0,05 maxi. 0,5 sur la partie la plus étroite sinon 0,7 au maxi.

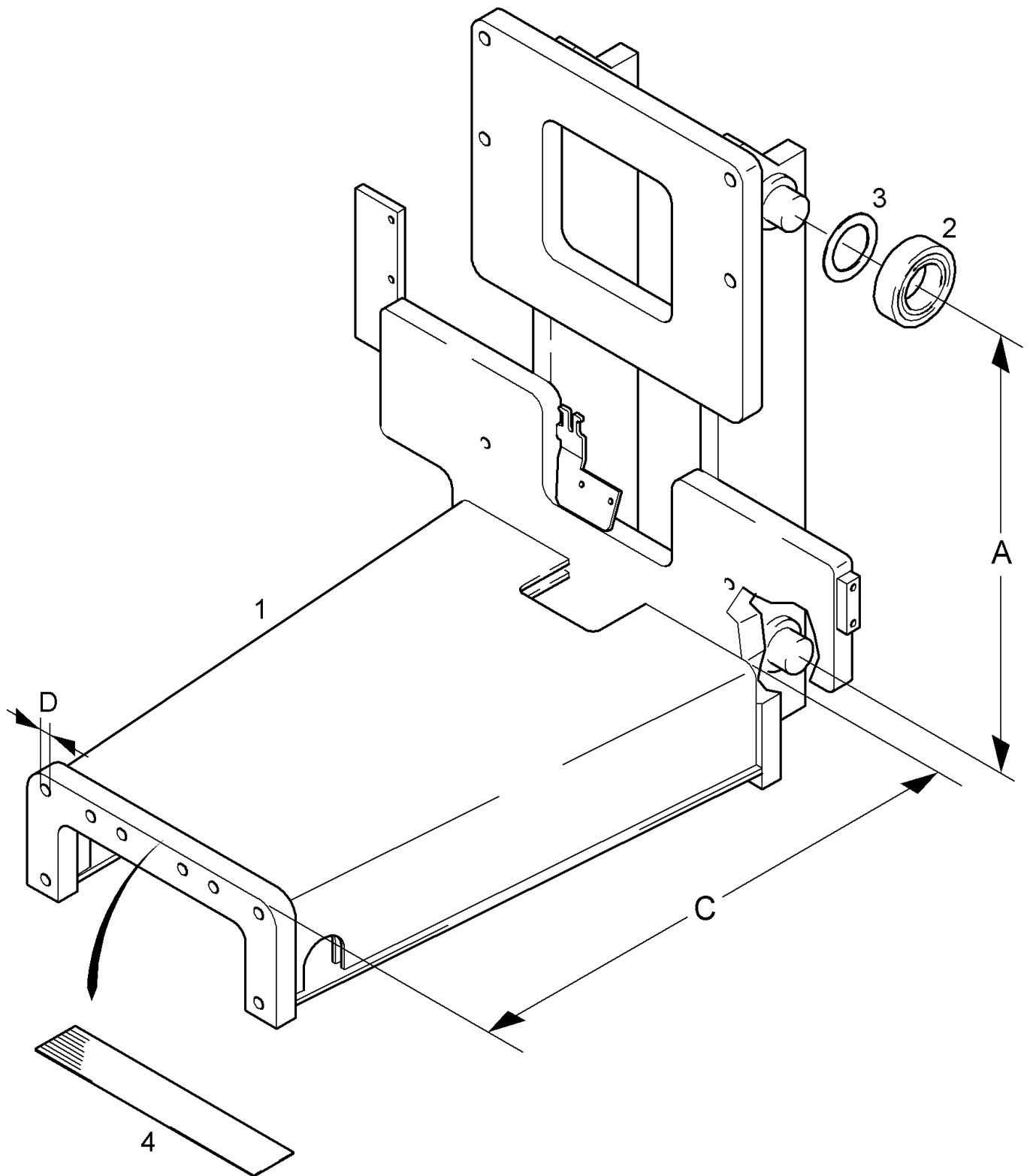
Jeu admissible latéral (mm)
0,1 au mini., 0,3 maxi. sur la partie la plus étroite sinon 1,1 au maxi.
avec tablier 6 porte-fourche: Jeu des galets centraux 0,2 plus grand que jeu des galets supérieurs

Gioco radiale ammissibile (mm)
min. 0,05 max. 0,5 sul punto più stretto altrove max. 0,7

Gioco laterale ammissibile (mm)
min. 0,1 - max. 0,3 sul punto più stretto altrove max. 1,1
con piastra 6 portaforca: Gioco dei rulli centrali 0,2 più grande che gioco dei rulli superiori

Holgura radial admisible (mm)
mín. 0,05 máx. 0,5 en la parte más angosta sino de máx. 0,7

Holgura lateral admisible (mm)
mín. 0,1, máx. 0,3 en la parte más angosta sino de máx. 1,1
con porta-horquillas 6: Holgura rodillos centrais 0,2 más grande que rodillos arribas



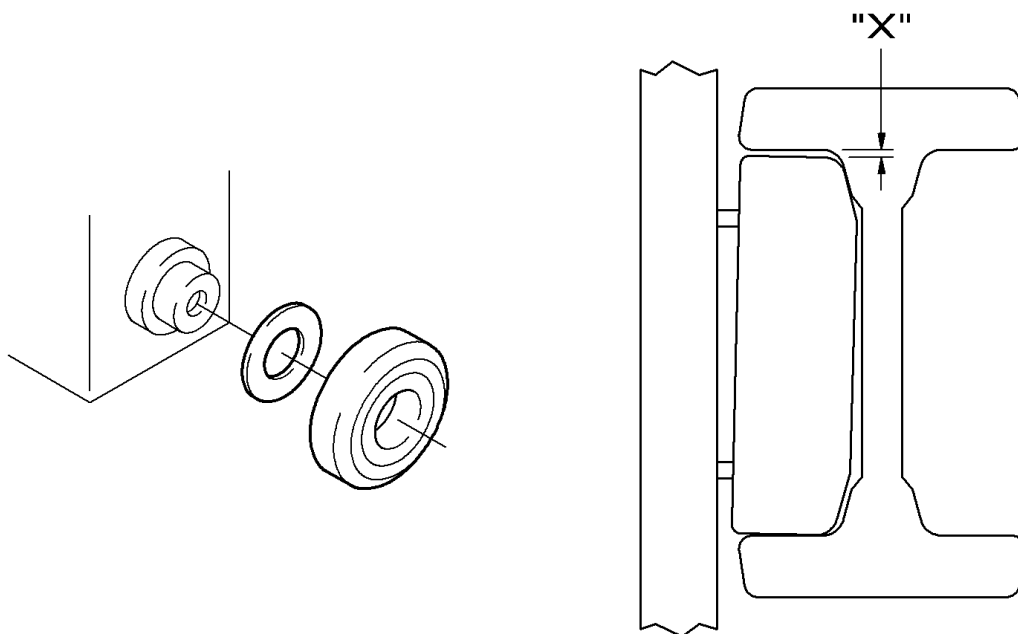
M1616-E274

CARRIAGE

TE/C=870mm/D=M12/PSA

EK11_12

Fig	Part-No.	Qty.	Description	Remark	validity	trucks
1	8702034	1	CARRIAGE			
2	0605217	4	SUPPORT ROLLER	diameter: 105.4 mm		
2	0390558	4	SUPPORT ROLLER	diameter: 105.7 mm		
2	0605292	4	SUPPORT ROLLER	diameter: 106,0 mm		
2	0607687	4	SUPPORT ROLLER	diameter: 106.3 mm		
3	0511050	1	SHIM RING			
3	0528013	1	SHIM RING			
3	0516273	1	SHIM RING			
3	0510993	1	SHIM RING			
4	8274165	1	WIDE-GROOVED MAT			



Zulässiges radiales Spiel (mm)

min. 0,05 / max. 0,5 an engster Stelle, sonst max. 0,7

Zulässiges seitliches Spiel (mm)

min. 0,1 - max. 0,3 an engster Stelle, sonst max. 1,1

6 Rollen Gabelträger: Spiel der mittleren Rollen um 0,2 größer als Spiel der oberen Rollen

Permissible radial clearance (mm)

min. 0.05 / max. 0.5 at the max. tightmost spot otherwise 0.7 at the max.

Permissible lateral clearance (mm)

0.1 at the min., 0.3 at the max. tightmost spot otherwise 1.1 at the max.

6 roller fork mount: Clearance of the central rollers 0.2 higher than clearance of top rollers

Jeu admissible radial (mm)

mini. 0.05 / maxi. 0,5 sur la partie la plus étroite sinon 0,7 au maxi.

Jeu admissible latéral (mm)

0,1 au mini., 0,3 maxi. sur la partie la plus étroite sinon 1,1 au maxi.

Tablier 6 porte-fourche: Jeu des galets central 0,2 plus grand que jeu des galets supérieur

Gioco radiale ammissibile (mm)

min. 0,05 / max. 0,5 sul punto più stretto altrove max. 0,7

Gioco laterale ammissibile (mm)

min. 0,1 - max. 0,3 sul punto più stretto altrove max. 1,1

Piastra 6 portaforca: Cioco dei rulli centrali 0,2 più grande che gioco dei rulli superiori

Holgura radial admisible (mm)

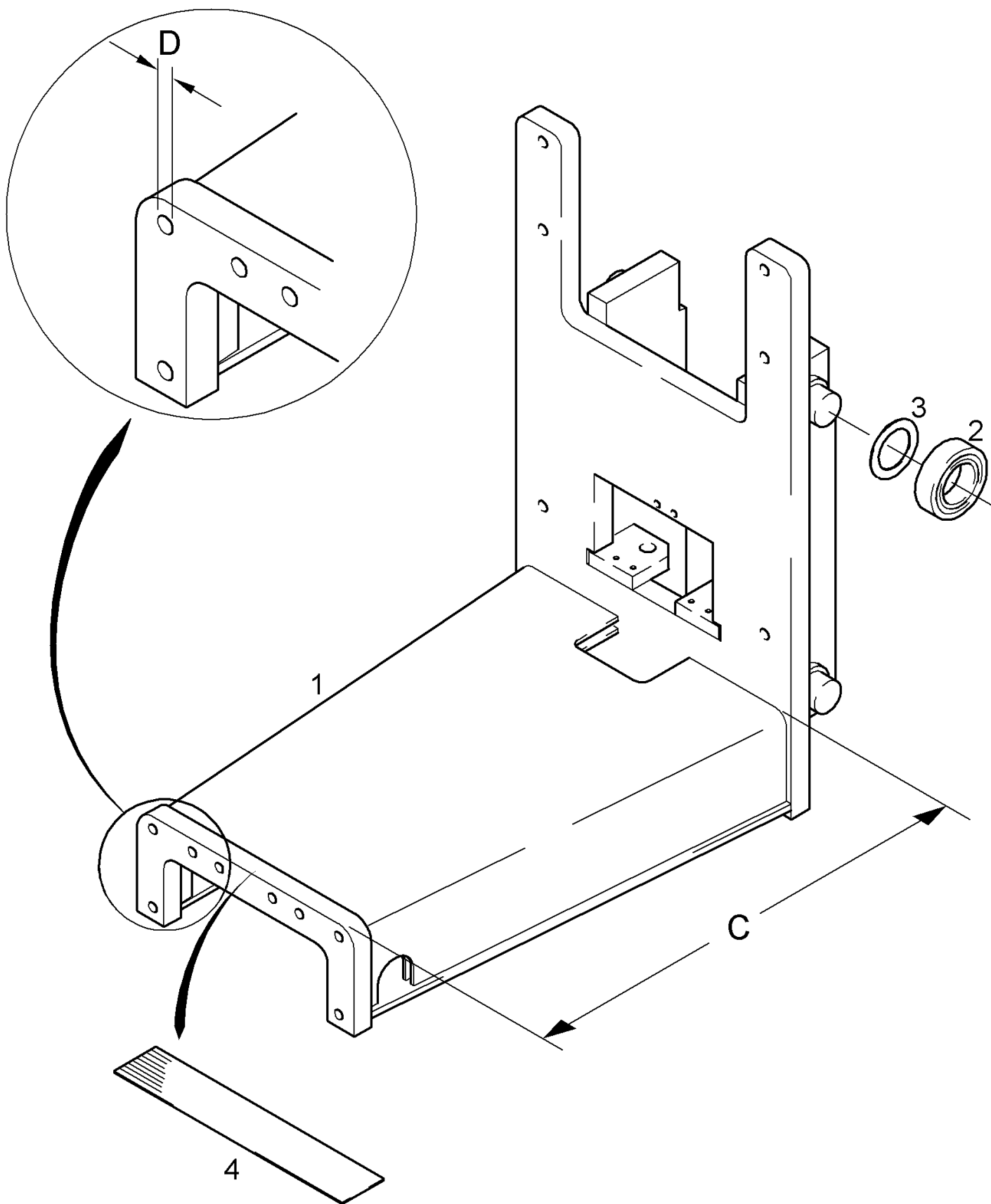
min. 0,05 / máx. 0,5 en la parte más angosta sino de máx. 0,7

Holgura lateral admisible (mm)

min. 0,1, máx. 0,3 en la parte más angosta sino de máx. 1,1

Porta-horquillas 6: Holgura rodillos central 0,2 más grande que rodillos arribas

M1617a-E275



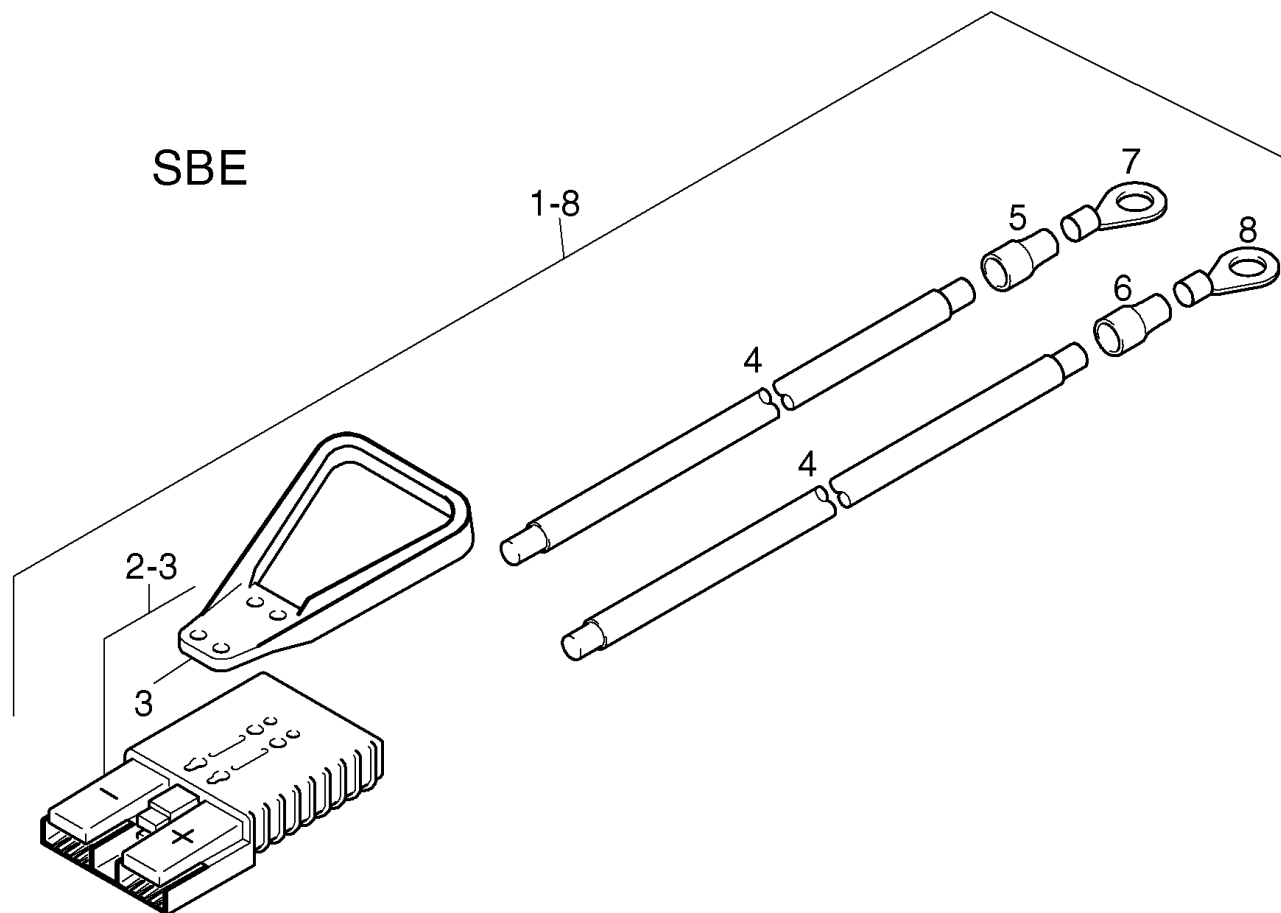
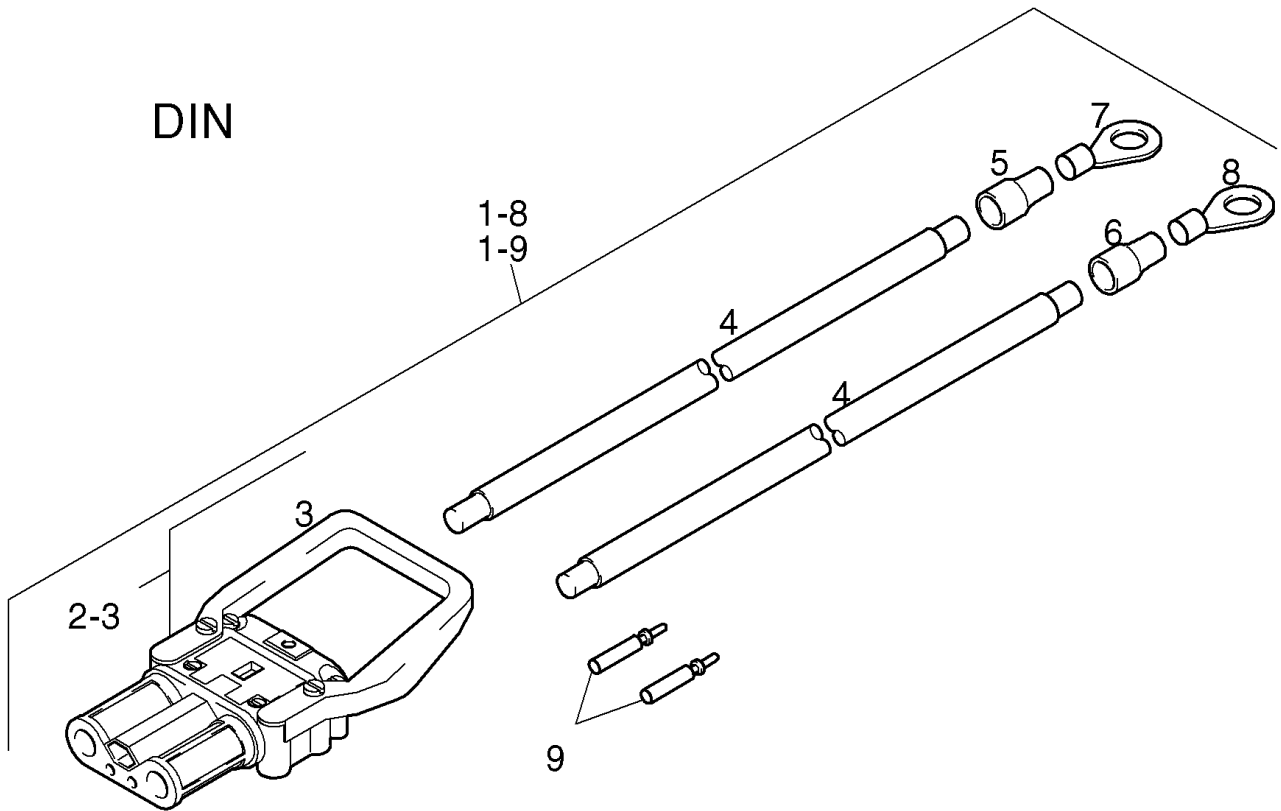
M1617-E275

LIFT CYLINDER

EK11_12

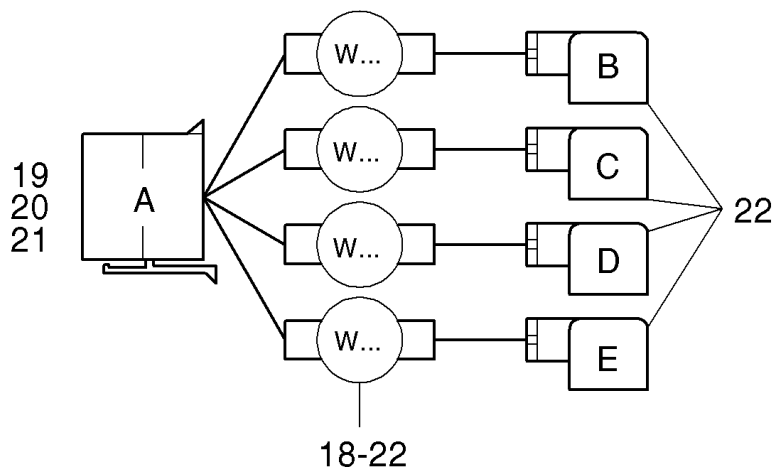
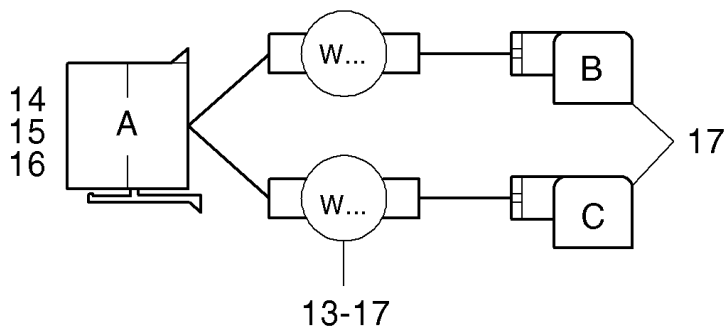
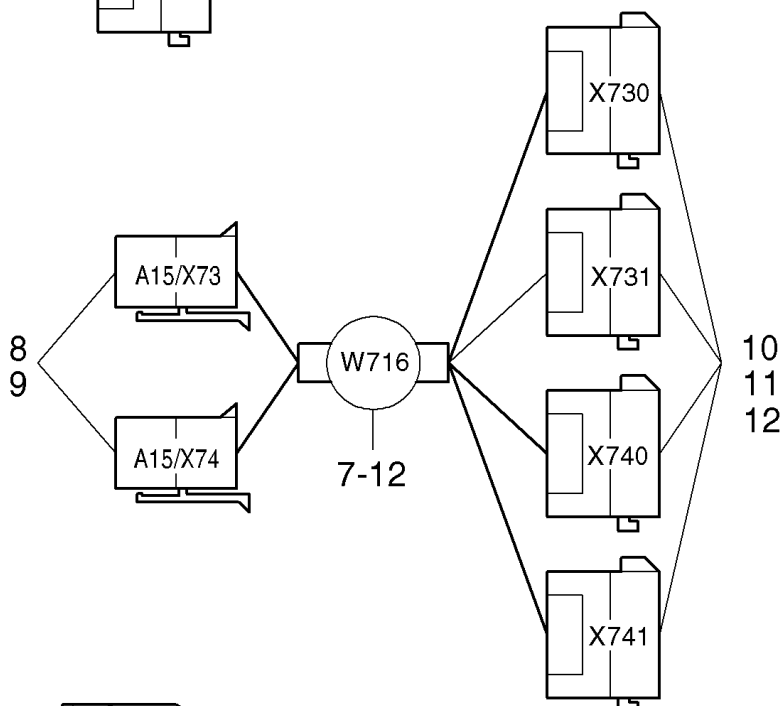
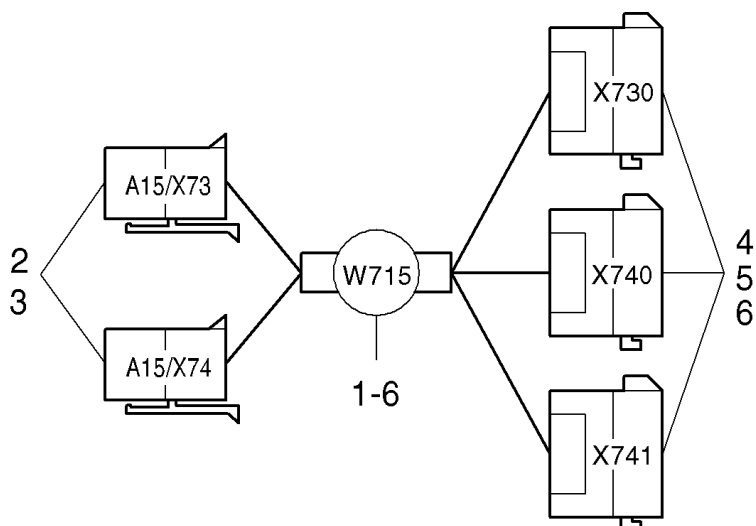
D=46mm/H=1397,5mm/L=1521,5mm

Fig	Part-No.	Qty.	Description	Remark	validity	trucks
1-12	0639252	1	LIFT CYLINDER ASSY.			
1	0639253	1	CYLINDER BARREL			
2	0639255	1	PISTON ROD			
3-6	0640099	1	CYLINDER HEAD			
4	0522350	1	HEXAGON HEAD SCREW			
5	0500265	1	SEAL RING			
6	0164747	1	SEAL KIT			
7	0631034	1	PISTON COVER			
8	0632372	1	PISTON			
9	0526732	1	SNAP RING			
10	0526733	1	COMPRESSION SPRING			
11	0147420	1	ADHESIVE	LOCTITE 243		
12	8052012	1	LIQUID PLASTIC	LOCTITE0275		



M0283-M218

Fig	Part-No.	Qty.	Description	Remark	validity	trucks
1-4	8409478	1	BUILT-IN LIGHT			
2	8409523	1	FLUORESCENT TUBE			
3	8409524	1	BRACKET			
4	8409525	1	HOLDER			
5	4492582	2	HEXAGON NUT			
6	0528974	5	CABLE TIE	2,5 x 100; sw		
7-9	8408010	1	SWITCH	lighting		
8	8407983	1	KEY SWITCH			
9	8407979	1	CONTACT ELEMENT			
10	8409479	2	RETAINING BRACKET			
11	8416755	2	BUTTON HEAD SCREW	M6x22-10.9		

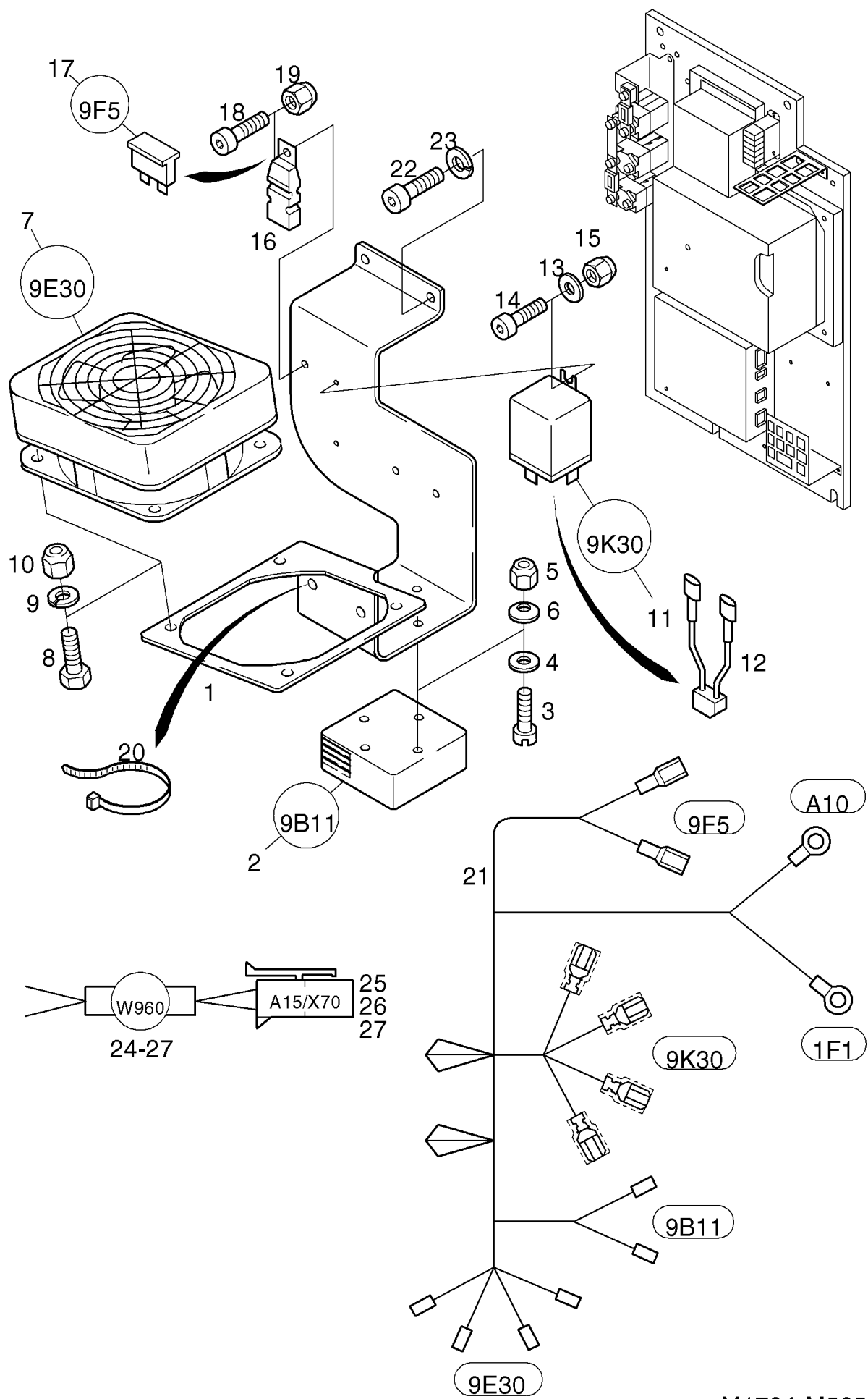


M1127-M445

Fig	Part-No.	Qty.	Description	Remark	validity	trucks
1-10	52113607403	1	DISPLACEMENT TRANSDUCER ASSY.			
1-10	52113602401	1	DISPLACEMENT TRANSDUCER EX.ASSY.	AT		
1-10	52113600901	1	DISPLACEMENT TRANSDUCER UP.ASSY.	GT		
1	0009351806	1	ROPE			
2	8409920	1	SPRING			
3	8459849	1	POTENTIOMETER, COMPL.			
4	8430578	1	SPRING DOWEL SLEEVE			
5	8409923	1	INCREMENTAL TRANSDUCER			
6	8409924	1	TOOTHED BELT			
7	8409925	1	TOOTHED WASHER			
8	8409926	1	TOOTHED WASHER			
9	7985000910	1	SPARE PART			
10	8407563	1	TEMPERATURE SWITCH			
11	0009609008	1	REPAIR KIT ASSY.			

Fig	Part-No.	Qty.	Description	Remark	validity	trucks
1	8270193	1	SUPPORTING PLATE			
▶ 2		1	SWITCH PANEL-MAIN CURRENT			
3	8004061	2	SOCKET HEAD SCREW			
4	8006266	2	SPRING LOCK WASHER			
▶ 5		1	TRACTION AND LIFT CONTROL			
6	8004089	4	CHEESE-HEAD SCREW			
7	8006266	4	SPRING LOCK WASHER			
8	8407259	1	STEERING CONTROL			
8	8408024	1	-SX CONTROL UNIT	AT		
8	8408025	1	GT-LENKENDSTUFE	GT		
9	0505270	4	SOCKET HEAD SCREW			
10	8002625	4	DETENT RING			
11	8278240	1	PLUG RETAINER			
12	0505270	4	SOCKET HEAD SCREW			
13	8002625	4	DETENT RING			
14	8275050	1	PLUG RETAINER			
15	0505270	2	SOCKET HEAD SCREW			
16	8002625	2	DETENT RING			
17	8015361	1	CLIP	RSGU 1.27/15		
18	0505270	1	SOCKET HEAD SCREW			
19	8002625	1	DETENT RING			
20	8387508	1	RECEPTACLE			
21	8270157	1	STUD			
22	8270156	2	STUD			
23	8004061	3	SOCKET HEAD SCREW			
24	8006266	3	SPRING LOCK WASHER			
25	8385533	1	HOLDER			
26	0505275	1	SOCKET HEAD SCREW			
27	8013902	4	BUFFER			
28	8003711	4	COUNTERSUNK SCREW			
29	8002005	4	WASHER			
30	4411102	4	HEXAGON NUT			
31-34	8407895	1	CENTRAL UNIT	LR80		

Fig	Part-No.	Qty.	Description	Remark	validity	trucks
1	8426980	4	CLAMPING PIECE PAIR			
2	0009551501	1	COVER PLATE			
3	4492277	17	WASHER			
4	4492582	6	HEXAGON NUT			
5	4491541	2	SOCKET HEAD SCREW			
6	8426477	1	PLATE SPRING			
7	8004069	2	SOCKET HEAD SCREW			
8	8006266	2	SPRING LOCK WASHER			
9	8421962	1	COACH BOLT			
10	8407276	2	POSITION SWITCH			
11	8268050	2	ANGLE PLATE			
12	8271102	2	PLATE			
13	8421942	4	SOCKET HEAD SCREW			
14	8002005	4	WASHER			
15	0505274	4	SOCKET HEAD SCREW			
16	8002629	4	DETENT RING			
17	8426981	2	PIPE CLAMP			
18	8426982	4	PLATE			
19	8279721	1	FLAT PART			
20	8279722	1	FLAT PART			
21	0505274	2	SOCKET HEAD SCREW			
22	8002629	2	DETENT RING			
23	8422438	2	TENSION SPRING			
24	4491541	1	SOCKET HEAD SCREW			
25	8422380	2	COACH BOLT			
26	8279897	2	ANGLE PLATE			
27	8279988	2	STRIP			
28	0501017	4	HEXAGON HEAD SCREW			
29	8002629	4	DETENT RING			
30	8407276	2	POSITION SWITCH			
31	8421942	4	SOCKET HEAD SCREW			
32	8006253	4	SPRING LOCK WASHER			



M1704-M565

Fig	Part-No.	Qty.	Description	Remark	validity	trucks
1	8426980	2	CLAMPING PIECE PAIR			
2	0009551501	1	COVER PLATE			
3	4492277	5	WASHER			
4	4492582	2	HEXAGON NUT			
5	4491541	1	SOCKET HEAD SCREW			
6	8426477	1	PLATE SPRING			
7	8004069	2	SOCKET HEAD SCREW			
8	8006266	2	SPRING LOCK WASHER			
9	8421962	1	COACH BOLT			
10	8407276	2	POSITION SWITCH			
11	8268050	2	ANGLE PLATE			
12	8271102	2	PLATE			
13	8421942	4	SOCKET HEAD SCREW			
14	8002005	4	WASHER			
15	0505274	4	SOCKET HEAD SCREW			
16	8002629	4	DETENT RING			
17-20	8397533	1	CONTROL CURRENT CABLE			
18	8426439	1	SOCKET			
19	8403732	1	FLANGE-CONN. SOCKET	8-PIN		
20	4491525	7	CONNECTOR	0,5-1,0		
21-24	8703201	1	CONTROL CURRENT CABLE			
22	8405567	2	SOCKET HOUSING	18-pole		
23	4403730	2	CONTACT SOCKET	4-pin		
24	4491525	36	CONNECTOR	0,5-1,0		
27-29	8701699	1	CONTROL CURRENT CABLE	W980/9R20		
27-29	8701700	1	CONTROL CURRENT CABLE	W980/9R21		
28	8427608	1	HOUSING	2-PIN		
29	8427607	1	FEMALE DISCONNECT	0,5-1,5		
30	8427584	2	HEATING			
31	0528974	2	CABLE TIE	2,5 x 100; sw		

Fig	Part-No.	Qty.	Description	Remark	validity	trucks
1	8426980	2	CLAMPING PIECE PAIR			
2	0009551501	1	COVER PLATE			
3	4492277	19	WASHER			
4	4492582	7	HEXAGON NUT			
5	4491541	2	SOCKET HEAD SCREW			
6	8426477	1	PLATE SPRING			
7	8004069	2	SOCKET HEAD SCREW			
8	8006266	2	SPRING LOCK WASHER			
9	8421962	1	COACH BOLT			
10	8407276	2	POSITION SWITCH			
11	8268050	2	ANGLE PLATE			
12	8271102	2	PLATE			
13	8421942	4	SOCKET HEAD SCREW			
14	8002005	4	WASHER			
15	0505274	4	SOCKET HEAD SCREW			
16	8002629	4	DETENT RING			
17	8426981	4	PIPE CLAMP			
18	8426982	8	PLATE			
19	8279721	1	FLAT PART			
20	8279722	1	FLAT PART			
21	0505274	2	SOCKET HEAD SCREW			
22	8002629	2	DETENT RING			
23	8422438	2	TENSION SPRING			
24	4491555	1	SOCKET HEAD SCREW			
25	8422380	3	COACH BOLT			
26	8279897	2	ANGLE PLATE			
27	8279988	2	STRIP			
28	0501017	4	HEXAGON HEAD SCREW			
29	8002629	4	DETENT RING			
30	8407276	2	POSITION SWITCH			
31	8421942	4	SOCKET HEAD SCREW			
32	8006253	4	SPRING LOCK WASHER			

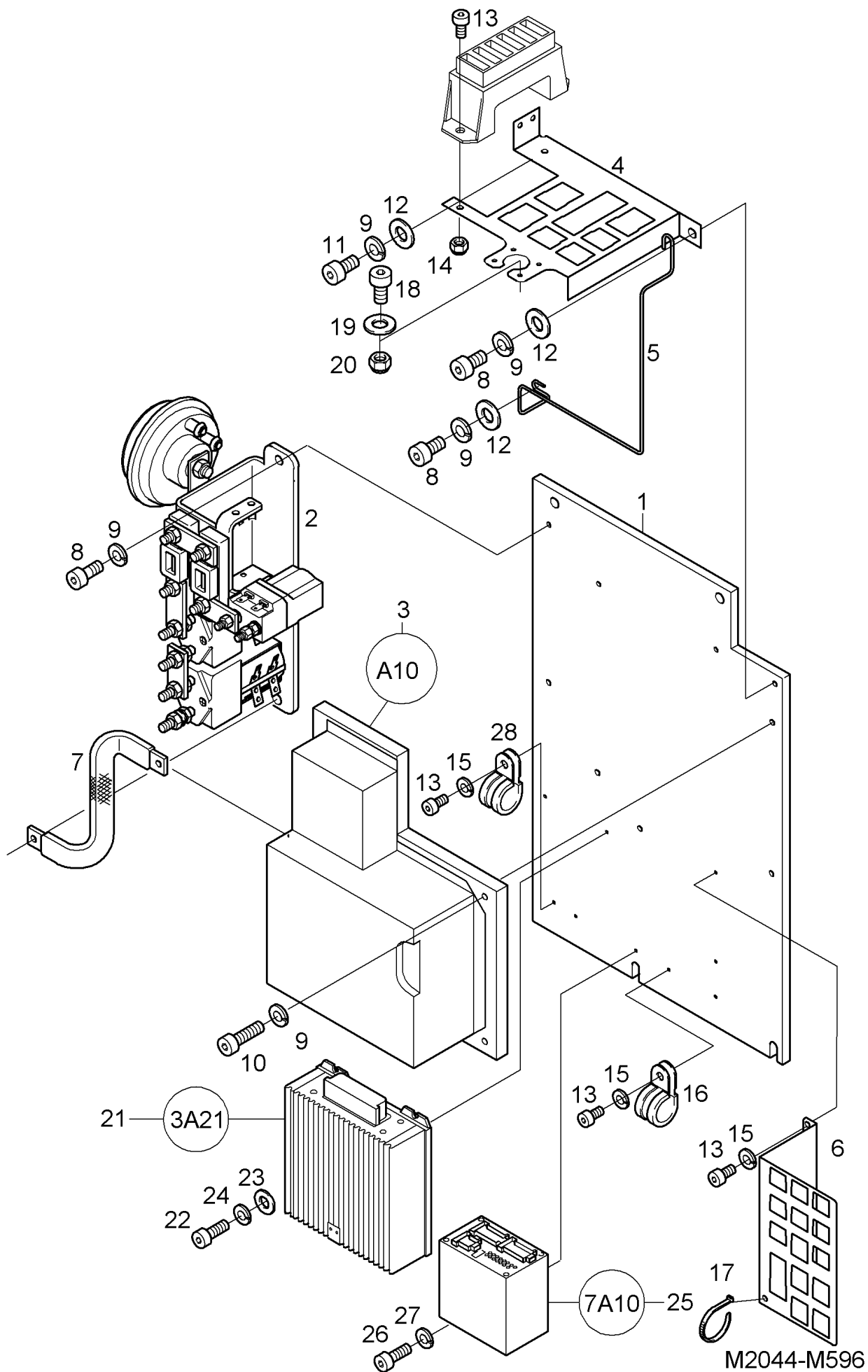
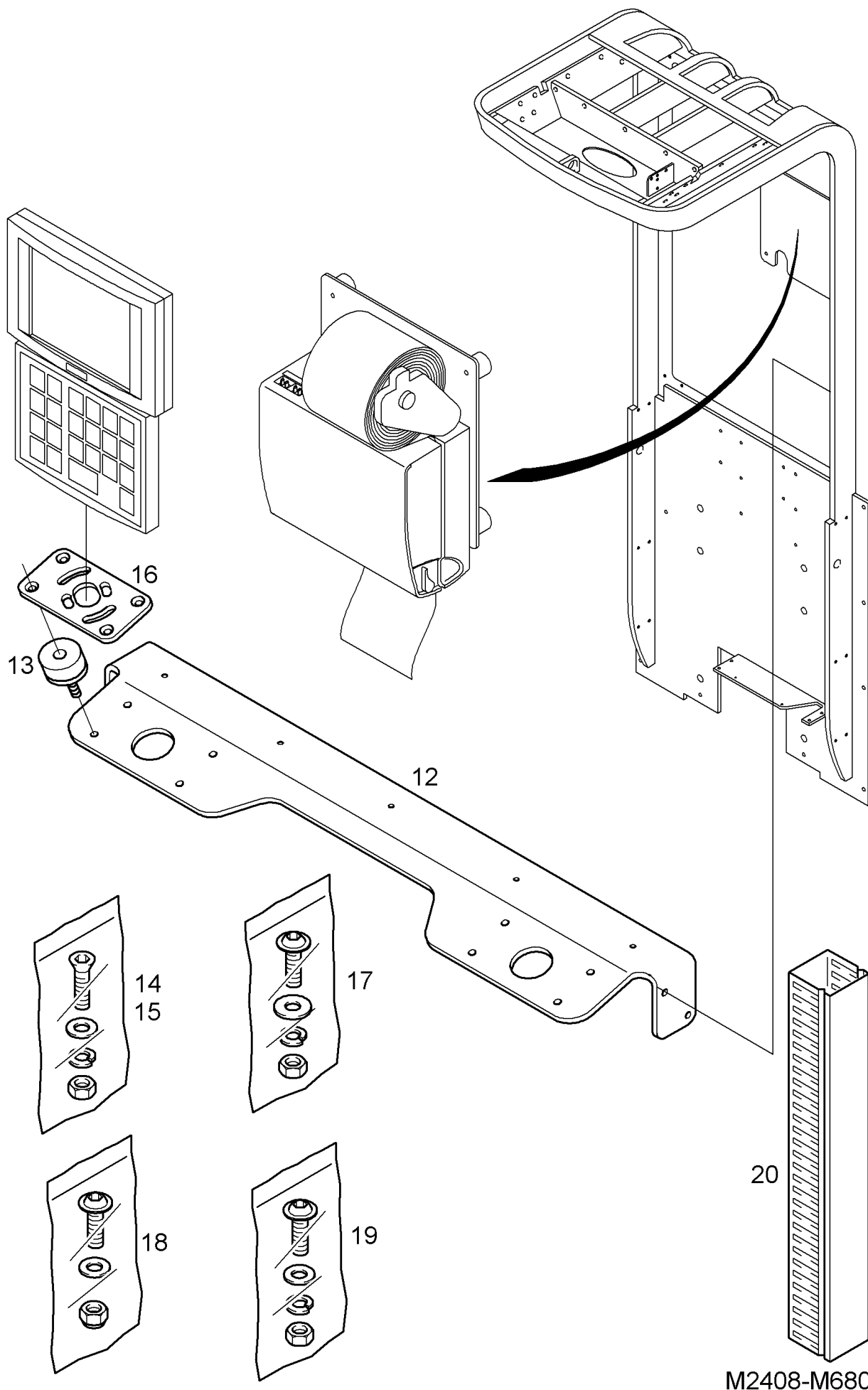


Fig	Part-No.	Qty.	Description	Remark	validity	trucks
1	8280675	1	HOLDER			
2	0501017	2	HEXAGON HEAD SCREW			
3	8002629	2	DETENT RING			
4	0505274	2	SOCKET HEAD SCREW			
5	8003962	2	SOCKET HEAD SCREW			
6	8002621	2	SPRING LOCK WASHER			
7	0528974	6	CABLE TIE	2,5 x 100; sw		
8-15	52113803006	1	CONTROL CURRENT CABLE ASSY.			
9	8427981	6	WASHER	MS		
10	8426650	2	TERMINAL BOARD	3-PIN		
11	8426742	3	SWITCHING BRIDGE			
12	8004969	6	HEXAGON NUT	MS		
13	8002015	21	WASHER	MS		
14	8403733	1	SOCKET HOUSING	10-PIN		
15	4491525	7	CONNECTOR	0,5-1,0		
15	4403729	1	CONTACT	1,5-2,5		
16-18	8701689	1	CONTROL CURRENT CABLE	W971/9R26		
16-18	8701690	1	CONTROL CURRENT CABLE	W972/9R27		
17	8427608	1	HOUSING	2-PIN		
18	8427607	2	FEMALE DISCONNECT	0,5-1,5		
19	8427584	2	HEATING			
20	8052584	1	SILICON-KAUTSCHUK E43/ELASTOSIL 90ML			
21-22	8701688	1	CONTROL CURRENT CABLE			
22	4412271	1	SOCKET	SW		
23	8427256	2	FUSE 80V 3A	3A; 80V		



M2408-M680

Fig	Part-No.	Qty.	Description	Remark	validity	trucks
1	8422470	1	SCREW JOINT			
2	8424604	1	HOSE			
3	8424608	1	PLUG			
4	8424607	1	SLEEVE			
5	8424607	1	SLEEVE			
6	8017645	1	PIPE CONNECTION			
7	8424609	1	PLUG			
8	8424607	1	SLEEVE			
9	8424609	1	PLUG			

Fig	Part-No.	Qty.	Description	Remark	validity	trucks
1	0338686	8	HALF CLIP			
2	0398249	4	COVER			
3	8415453	4	SCREW			
4	0525714	4	HEXAGON NUT			
5	8271861	1	BENT PART			
6	4004065	2	SOCKET HEAD SCREW			
7	8006266	2	SPRING LOCK WASHER			
8	8002046	2	WASHER			
9	0393798	1	HOSE CLIP			
10	4004005	2	CHEESE-HEAD SCREW			
11	4492277	4	WASHER			
12	4492582	2	HEXAGON NUT			
13	8412944	1	CLAMPING CLIP			
14	0505275	2	SOCKET HEAD SCREW			
15	4492277	2	WASHER			
16	8002629	2	DETENT RING			
17	8426493	2	HOSE			

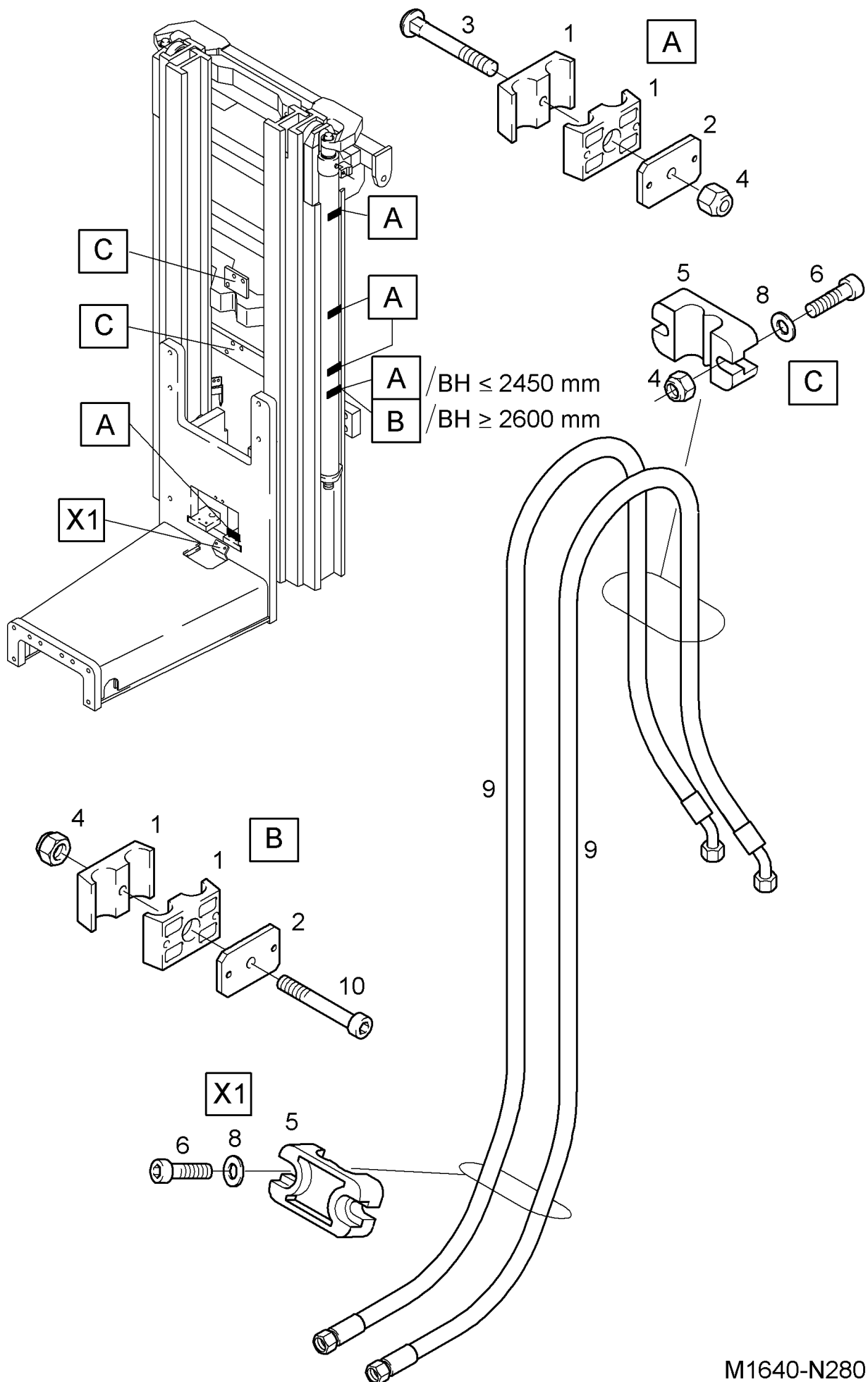


Fig	Part-No.	Qty.	Description	Remark	validity	trucks
33	8271425	1	BARRIER	colour as wished by customer, please note the colour (RAL) when ordering!		
34	8271426	1	BARRIER	colour as wished by customer, please note the colour (RAL) when ordering!		
35	8415344	1	COUNTERSUNK SCREW			
36	8005421	1	SLOTTED SPRING PIN			
37	8272926	1	WASHER			
38	8389351	1	GUARD			
39	0502171	2	SOCKET HEAD SCREW			
40	8004984	2	HEXAGON NUT			

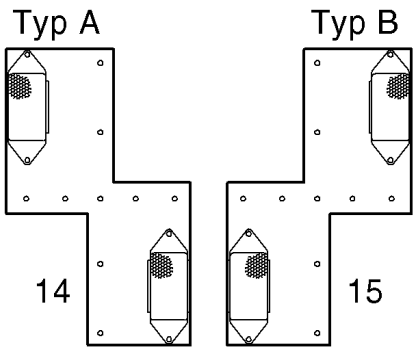
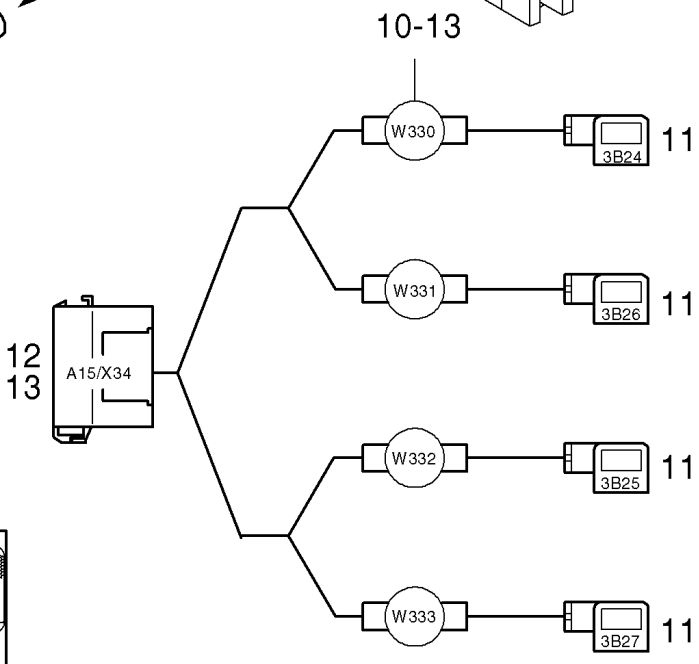
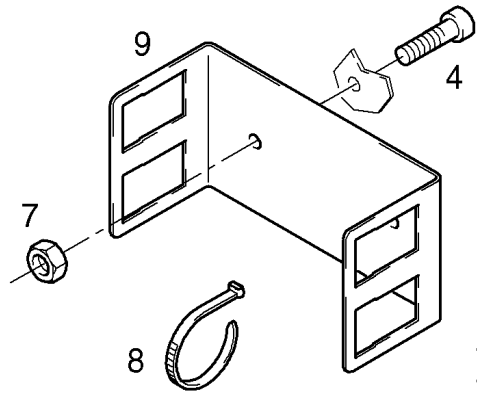
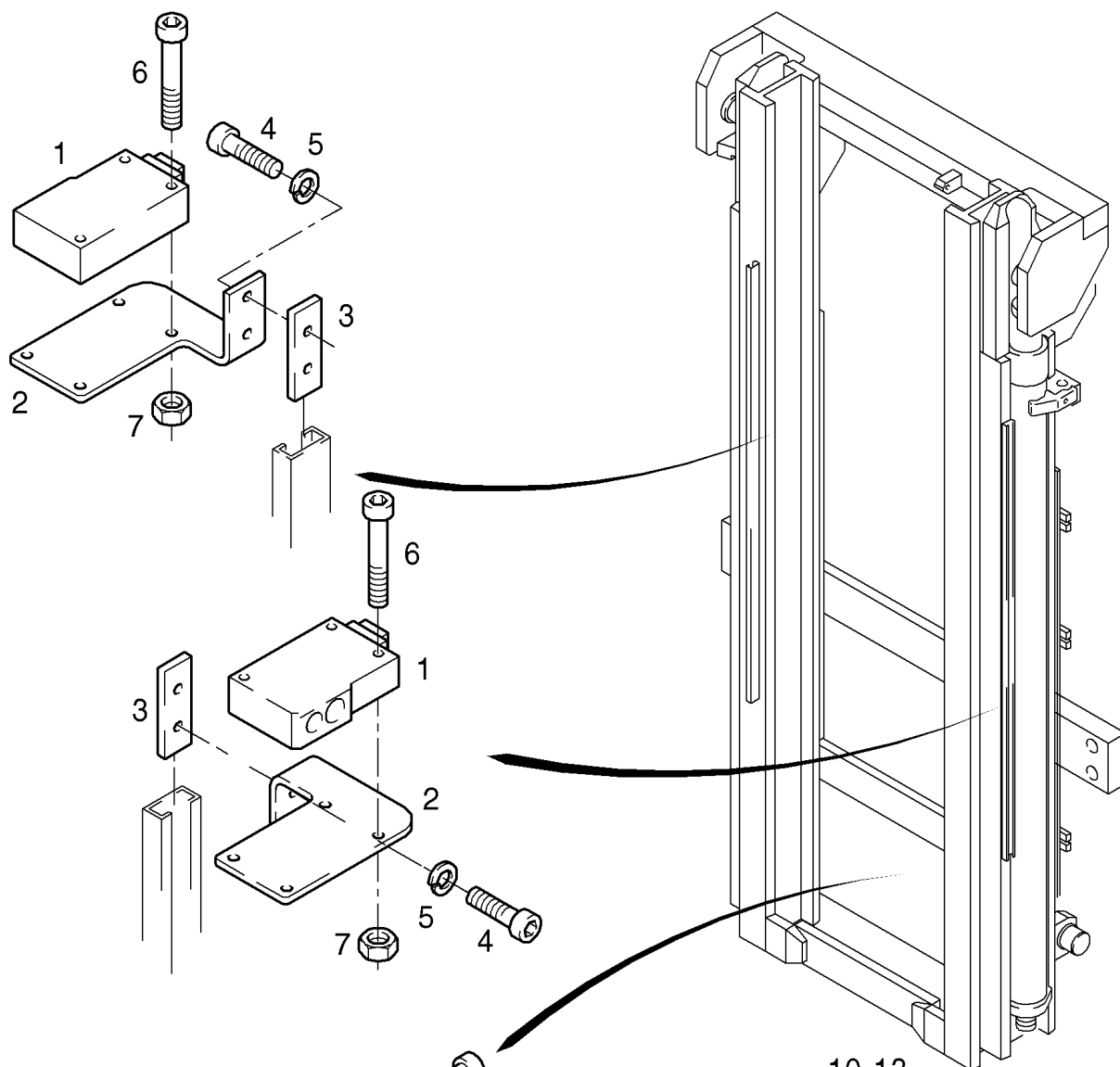
PROTECTIVE CIRCUIT

A=900mm/B=900mm/L=1300mm

EK11_12

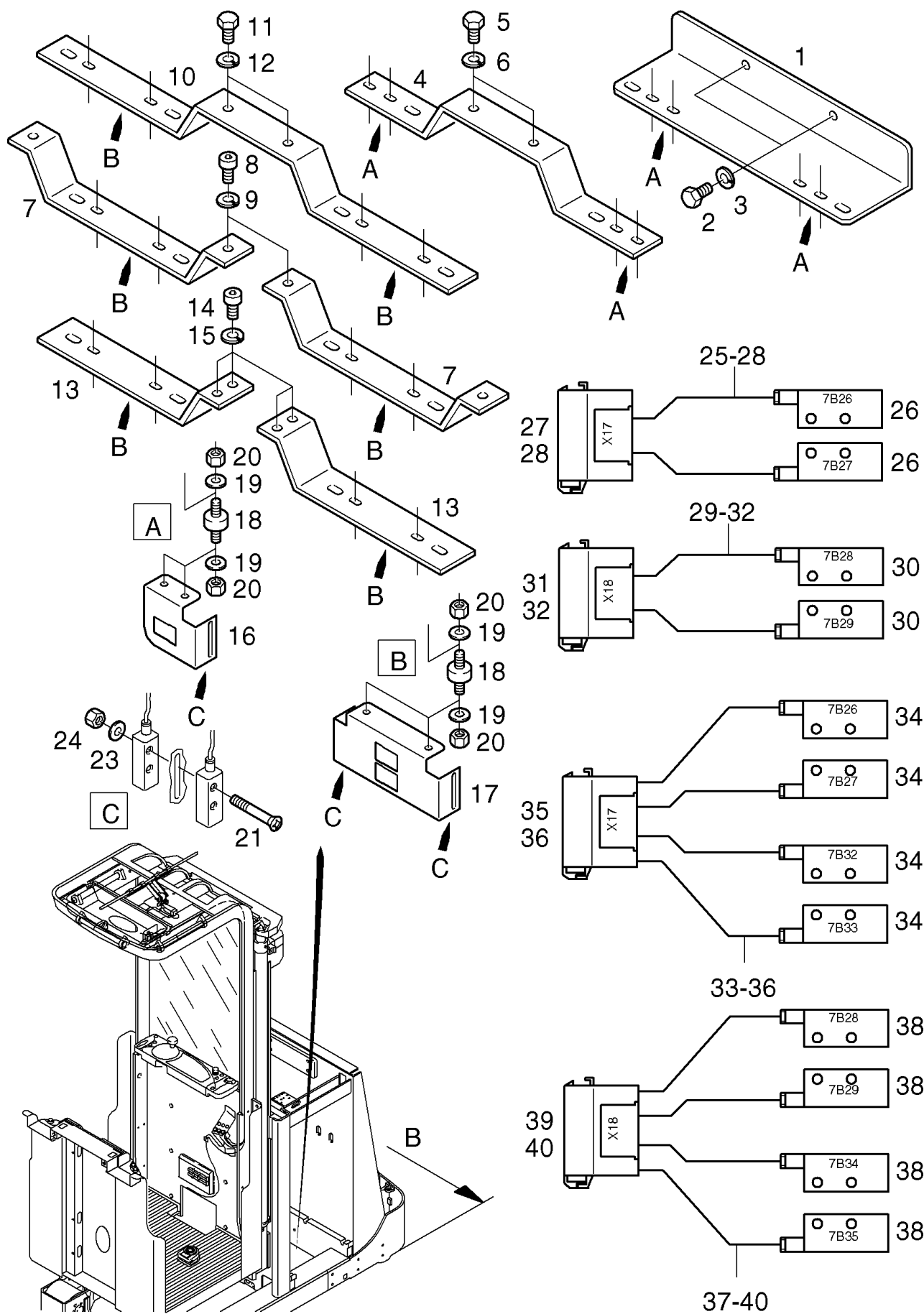
Fig	Part-No.	Qty.	Description	Remark	validity	trucks
1	8389229	1	PROTECTIVE CIRCUIT			
3	0511148	6	SOCKET HEAD SCREW			
4	8002641	6	SPRING LOCK WASHER			

Fig	Part-No.	Qty.	Description	Remark	validity	trucks
1	8434720	1	SAFETY SCREEN			
5	8290486	1	ANGLE PLATE			
6	52114374400	1	ANGLE PLATE			
7	8412517	6	OVAL HEAD SCREW	M5x16-10.09		
8	8034841	2	SEALING TAPE	15x4		
9	8034841	2	SEALING TAPE	15x4		



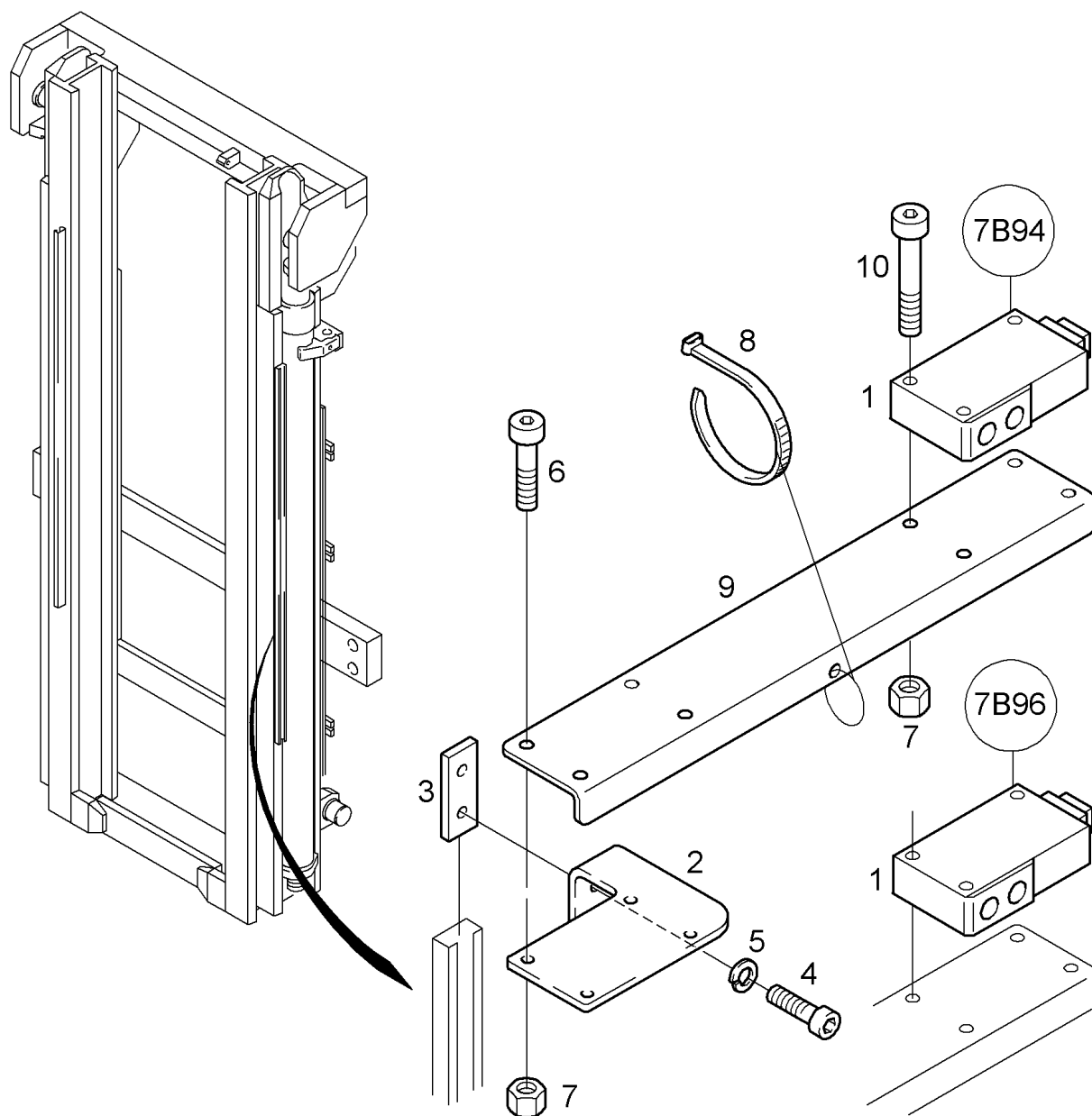
M1125-S68

Fig	Part-No.	Qty.	Description	Remark	validity	trucks
1	8437262	12	LIGHT BARRIER			
2	8276091	12	HOLDER			
3	50214412803	12	EXTRUSION			
4	0492288	26	SOCKET HEAD SCREW			
5	8006257	24	SPRING LOCK WASHER			
6	4492538	36	SOCKET HEAD SCREW			
7	4012409	38	HEXAGON NUT			
8	8017132	12	CABLE TIE			
9	8276092	1	ANGLE PLATE			
10	8276101	6	BENT PART	TE		
11	50214412803	6	EXTRUSION	TE		
12	0492288	12	SOCKET HEAD SCREW	TE		
13	8006257	12	SPRING LOCK WASHER	TE		
14	8017132	6	CABLE TIE	TE		
15	8276297	6	BENT PART			
16	50214412803	6	EXTRUSION			
17	0492288	18	SOCKET HEAD SCREW			
18	8006257	12	SPRING LOCK WASHER			
19	8017132	6	CABLE TIE			
20	0502078	6	WASHER			
21	4012409	6	HEXAGON NUT			
22	8401218	1	WIRING DUCT	30x25		
23	8276296	2	BENT PART			
24	4492277	1	WASHER			
25	8004051	1	SOCKET HEAD SCREW			
25	8004109	1	SOCKET HEAD SCREW			
▶ 26		1	WIRE HARNESS-REFLEX LIGHT BARRIER	EINFAHRT-2x/CHECK/EINSEITIG		

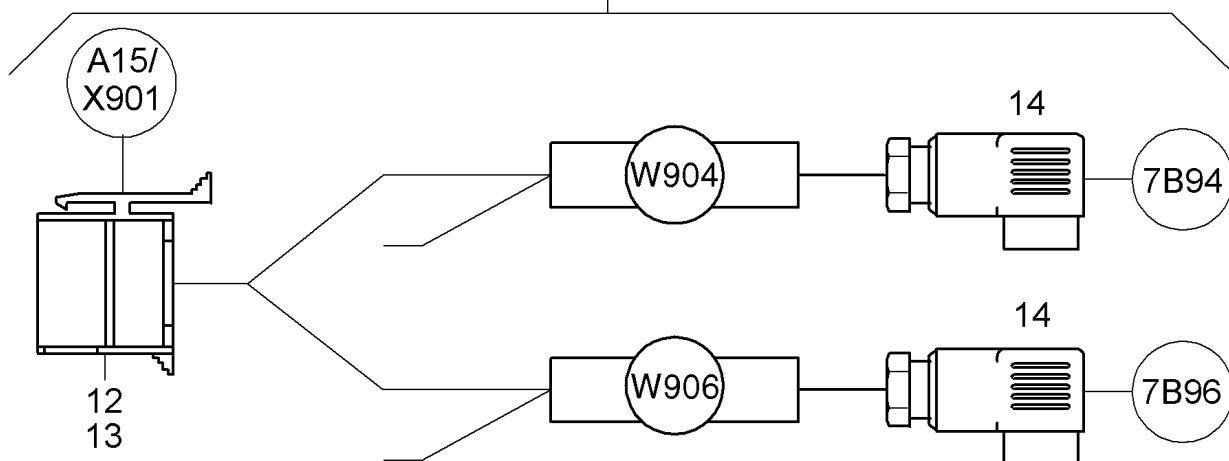


M0938-S59

Fig	Part-No.	Qty.	Description	Remark	validity	trucks
1	8272482	1	BENT PART			
2	8004797	2	HEXAGON HEAD SCREW			
3	8002637	2	SPRING LOCK WASHER			
16	8409946	2	PROXIMITY SWITCH			
17	8002046	2	WASHER			
18	8006266	2	SPRING LOCK WASHER			
19	0502231	2	HEXAGON NUT			
20-24	8396768	1	CABLE HARNESS			
21	8007275	2	SOCKET			
22	8403731	1	SOCKET HOUSING	6-pin		
23	4491525	2	CONNECTOR	0,5-1,0		
24	4403729	2	CONTACT	1,5-2,5		
30-33	8387934	1	CONTROL CURRENT CABLE	X74/A15		
31	8403731	1	SOCKET HOUSING	6-pin		
32	4491525	1	CONNECTOR	0,5-1,0		
33	8405793	2	CONTACT PIN	0,2-0,5		



11-14



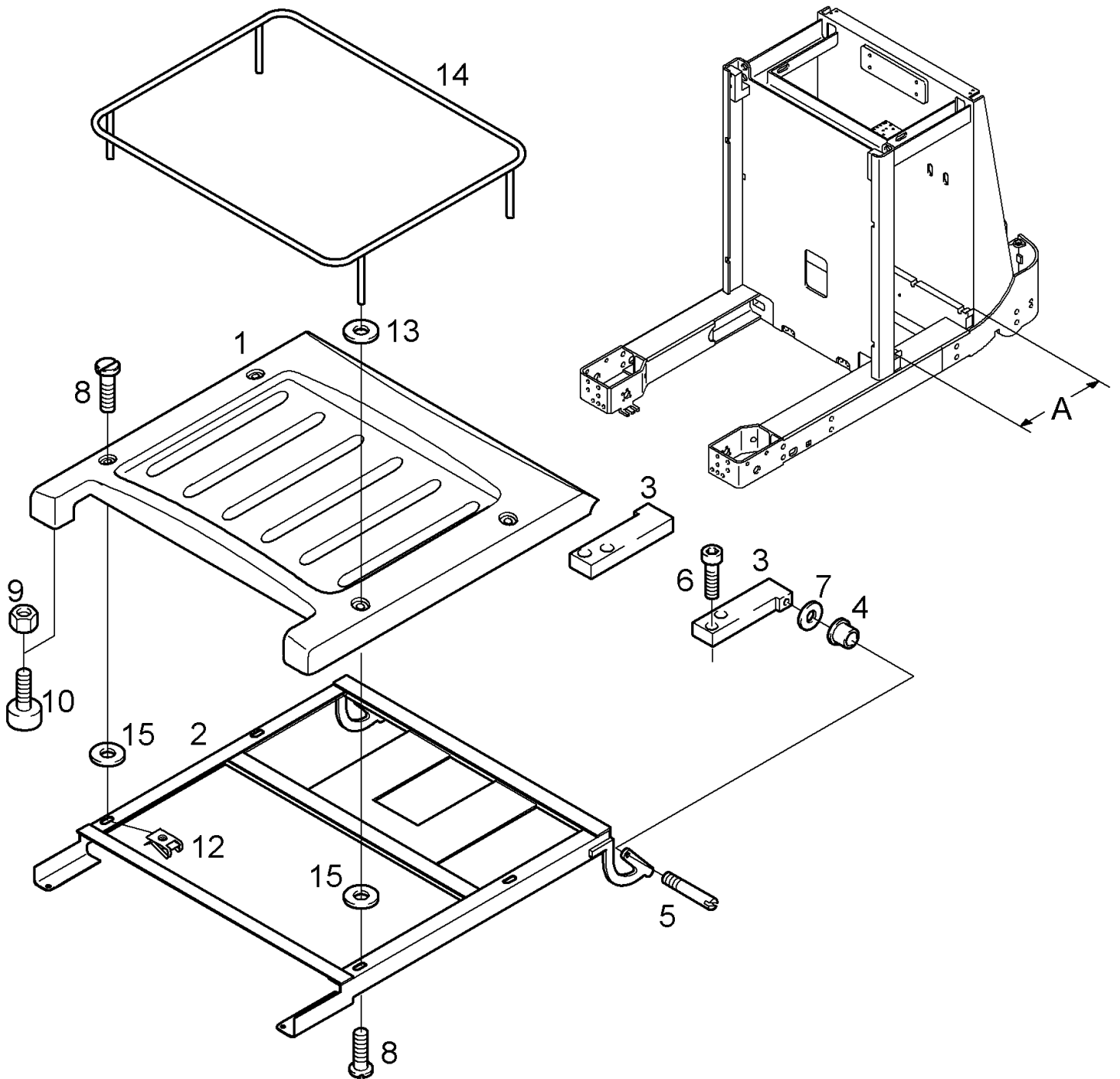
M1906-S107

Fig	Part-No.	Qty.	Description	Remark	validity	trucks
▶ 1		1	BATTERY INSTALLATION	B=430mm/OHNE ROLLENBAHN		
▶ 1		1	BATTERY INSTALLATION	B=430mm/OHNE ROLLENBAHN/MIT AUSGLEICHSGEWICHT		
▶ 1		1	BATTERY INSTALLATION	B=430mm/MIT ROLLENBAHN		
▶ 1		1	BATTERY INSTALLATION	B=430mm/MIT ROLLENBAHN/MIT AUSGLEICHSGEWICHT 4 rollers		
▶ 1		1	BATTERY INSTALLATION	B=430mm/MIT ROLLENBAHN/MIT AUSGLEICHSGEWICHT 6 rollers		
▶ 1		1	BATTERY INSTALLATION	B=540mm/MIT ROLLENBAHN		

BATTERY COVER

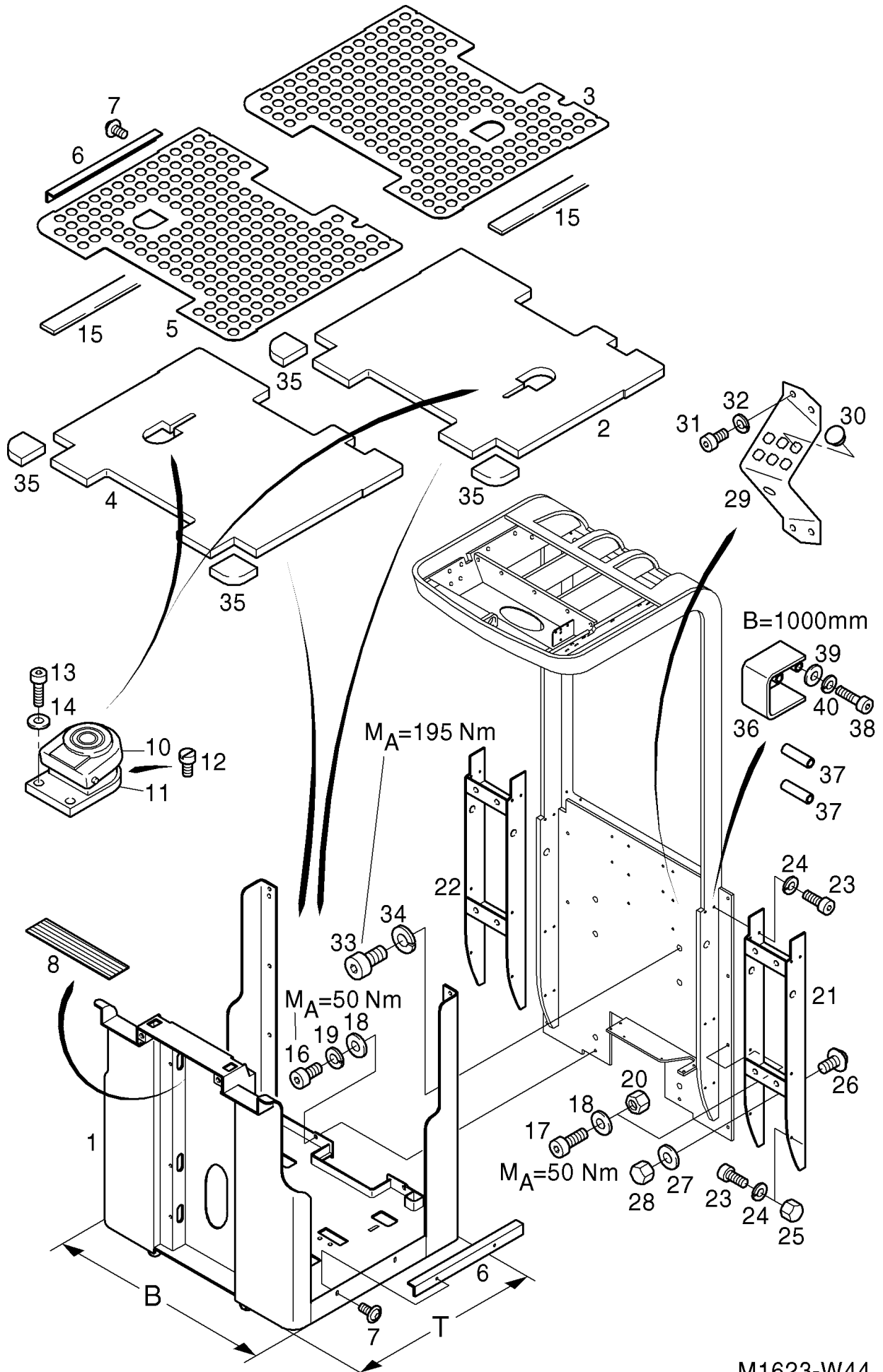
A=540mm-MIT RELING/WITH RAIL/AVEC BASTINGAGE

EK11_12



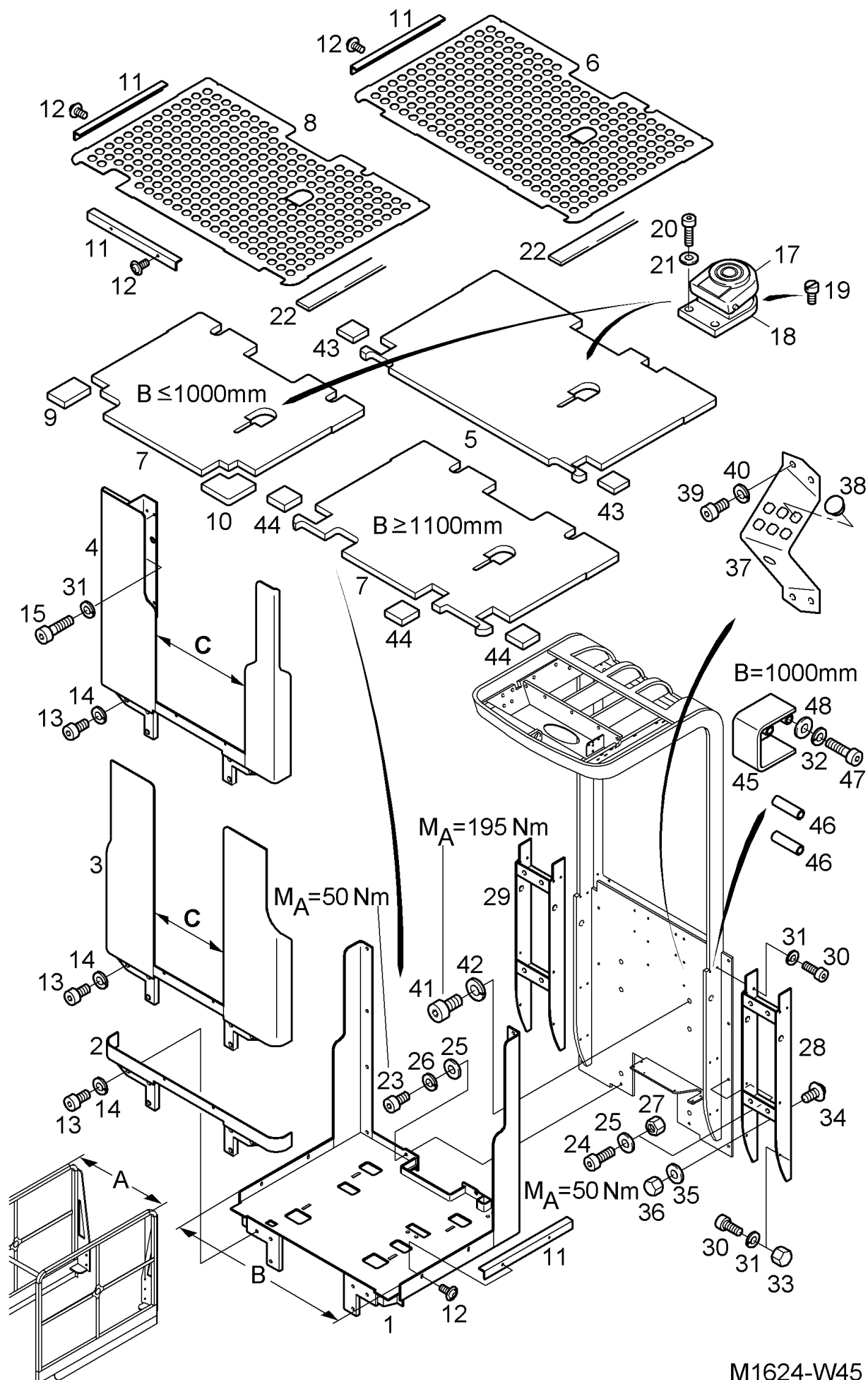
M1579-U197

Fig	Part-No.	Qty.	Description	Remark	validity	trucks
1	8396801	1	CABIN			
2	8278320	1	FLOOR PLATE			
3	8278300	1	KNOB MAT			
6	8271844	2	ANGLE PLATE			
7	8411544	4	OVAL HEAD SCREW	M6x10 10.9		
8	8273646	1	WIDE-GROOVED MAT			
10	8405277	1	FUSSSCHALTER 1W			
11	8271845	1	FLAT PART			
12	8001501	2	SOCKET HEAD SCREW			
13	8006058	2	CHEESE-HEAD SCREW			
14	4492277	2	WASHER			
15	8052288	1	ADHESIVE TAPE			
16	0502140	2	SOCKET HEAD SCREW			
17	0502145	8	SOCKET HEAD SCREW			
18	8002073	10	WASHER			
19	8006269	2	SPRING LOCK WASHER			
20	8003273	8	HEXAGON NUT			
29	8270325	1	BENT PART			
30	8422964	6	PLUG			
31	0492500	4	CHEESE-HEAD SCREW			
32	8006261	4	SPRING LOCK WASHER			
33	0505314	6	SOCKET HEAD SCREW			
34	8006277	6	DETENT RING			
35	8273638	2	FLAT PART			
36	8397772	2	ADAPTOR			
37	8278775	4	SPACER			
38	8004113	8	SOCKET HEAD SCREW			
39	0502069	8	WASHER			
40	8002634	8	SPRING LOCK WASHER			



M1623-W44

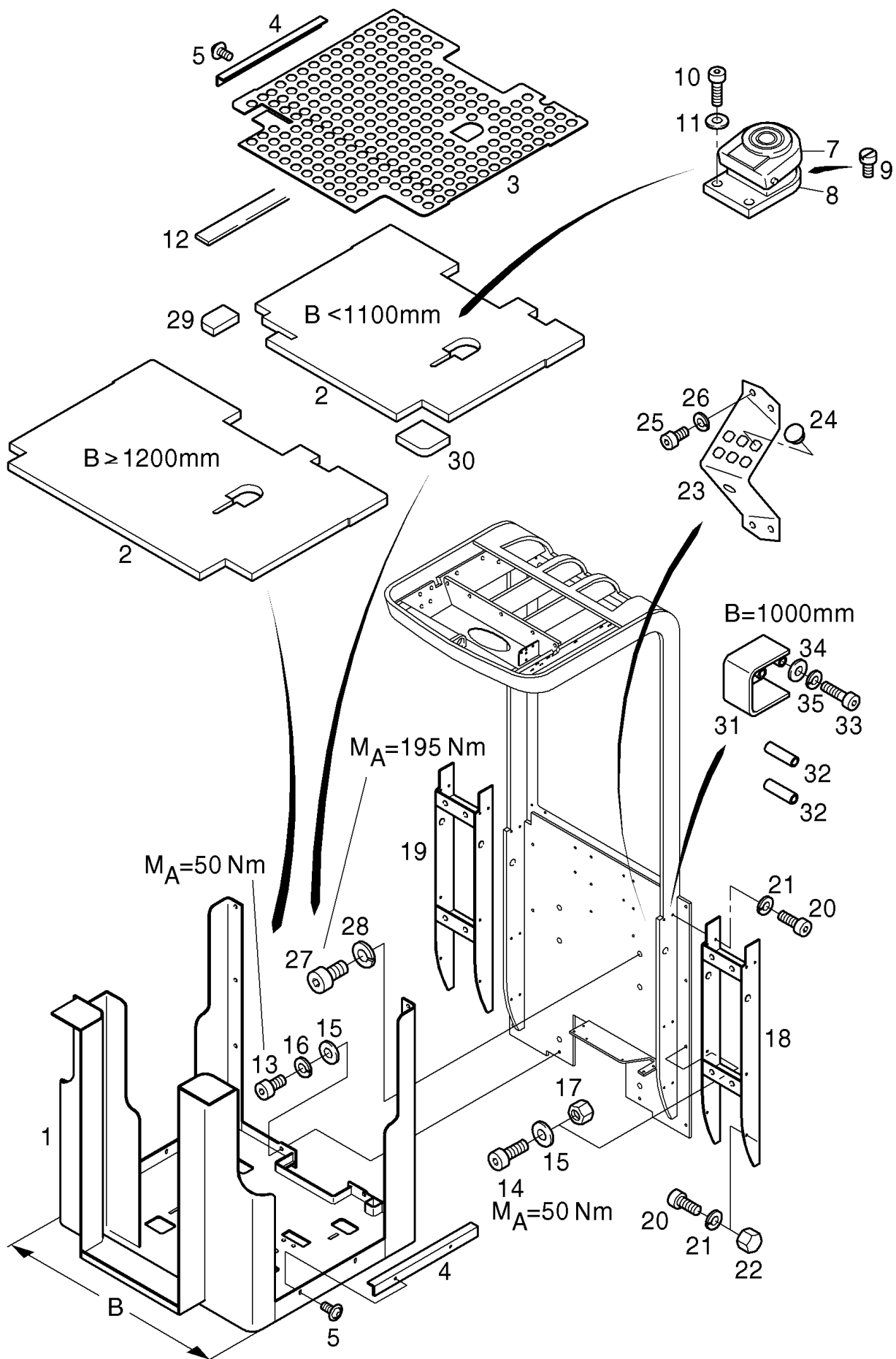
Fig	Part-No.	Qty.	Description	Remark	validity	trucks
1	8397026	1	CABIN			
2	8397499	1	WALL			
5	8278386	1	FLOOR PLATE			
6	8278419	1	KNOB MAT			
11	8271844	3	ANGLE PLATE			
12	8411544	6	OVAL HEAD SCREW	M6x10 10.9		
13	0505285	6	SOCKET HEAD SCREW			
14	8006273	6	CIRCLIP			
17	8405277	1	FUSSSCHALTER 1W			
18	8271845	1	FLAT PART			
19	8001501	2	SOCKET HEAD SCREW			
20	8006058	2	CHEESE-HEAD SCREW			
21	4492277	2	WASHER			
22	8052288	1	ADHESIVE TAPE			
23	0502140	2	SOCKET HEAD SCREW			
24	0502145	8	SOCKET HEAD SCREW			
25	8002073	10	WASHER			
26	8006269	2	SPRING LOCK WASHER			
27	8003273	8	HEXAGON NUT			
28	8388141	1	ADAPTOR			
29	8388142	1	ADAPTOR			
30	8004077	16	CHEESE-HEAD SCREW			
31	8002634	16	SPRING LOCK WASHER			
33	8004397	8	CAP NUT			
37	8270325	1	BENT PART			
38	8422964	6	PLUG			
39	0492500	4	CHEESE-HEAD SCREW			
40	8006261	4	SPRING LOCK WASHER			
41	0505314	6	SOCKET HEAD SCREW			
42	8006277	6	DETENT RING			
43	8273644	2	FLAT PART			



M1624-W45

Fig	Part-No.	Qty.	Description	Remark	validity	trucks
1	8397031	1	CABIN			
2	8397494	1	WALL			
5	8278391	1	FLOOR PLATE			
6	8278424	1	KNOB MAT			
11	8271844	3	ANGLE PLATE			
12	8411544	6	OVAL HEAD SCREW	M6x10 10.9		
13	0505285	6	SOCKET HEAD SCREW			
14	8006273	6	CIRCLIP			
17	8405277	1	FUSSSCHALTER 1W			
18	8271845	1	FLAT PART			
19	8001501	2	SOCKET HEAD SCREW			
20	8006058	2	CHEESE-HEAD SCREW			
21	4492277	2	WASHER			
22	8052288	1	ADHESIVE TAPE			
23	0502140	2	SOCKET HEAD SCREW			
24	0502145	8	SOCKET HEAD SCREW			
25	8002073	10	WASHER			
26	8006269	2	SPRING LOCK WASHER			
27	8003273	8	HEXAGON NUT			
28	8388136	1	ADAPTOR			
29	8388136	1	ADAPTOR			
30	8004077	16	CHEESE-HEAD SCREW			
31	8002634	16	SPRING LOCK WASHER			
33	8004397	8	CAP NUT			
34	8413809	4	BUTTON HEAD SCREW	M10x20 10.9		
35	0159353	4	WASHER			
36	8421937	4	CAP NUT			
37	8270325	1	BENT PART			
38	8422964	6	PLUG			
39	0492500	4	CHEESE-HEAD SCREW			
40	8006261	4	SPRING LOCK WASHER			
41	0505314	6	SOCKET HEAD SCREW			
42	8006277	6	DETENT RING			

Fig	Part-No.	Qty.	Description	Remark	validity	trucks
1	8397030	1	CABIN			
4	8395761	1	WALL			
7	8278381	1	FLOOR PLATE			
8	8278414	1	KNOB MAT			
11	8271844	3	ANGLE PLATE			
12	8411544	6	OVAL HEAD SCREW	M6x10 10.9		
13	0505285	8	SOCKET HEAD SCREW			
14	8006273	8	CIRCLIP			
15	8004061	6	SOCKET HEAD SCREW			
17	8405277	1	FUSSSCHALTER 1W			
18	8271845	1	FLAT PART			
19	8001501	2	SOCKET HEAD SCREW			
20	8006058	2	CHEESE-HEAD SCREW			
21	4492277	2	WASHER			
22	8052288	1	ADHESIVE TAPE			
23	0502140	2	SOCKET HEAD SCREW			
24	0502145	8	SOCKET HEAD SCREW			
25	8002073	10	WASHER			
26	8006269	2	SPRING LOCK WASHER			
27	8003273	8	HEXAGON NUT			
28	8388137	1	ADAPTOR			
29	8388137	1	ADAPTOR			
30	8004077	16	CHEESE-HEAD SCREW			
31	8002634	22	SPRING LOCK WASHER			
33	8004397	8	CAP NUT			
34	8413809	4	BUTTON HEAD SCREW	M10x20 10.9		
35	0159353	4	WASHER			
36	8421937	4	CAP NUT			
37	8270325	1	BENT PART			
38	8422964	6	PLUG			
39	0492500	4	CHEESE-HEAD SCREW			
40	8006261	4	SPRING LOCK WASHER			
41	0505314	6	SOCKET HEAD SCREW			



M1625-W46

Fig	Part-No.	Qty.	Description	Remark	validity	trucks
1	8423150	1	COVER			
2	8270312	2	BEARING			
3	8413540	6	OVAL HEAD SCREW	M8x16 10.9		
4	0492500	2	CHEESE-HEAD SCREW			
5	8034294	1	PLATE			

CLICK HERE TO **DOWNLOAD** THE COMPLETE MANUAL

- Thank you very much for reading the preview of the manual.
- You can download the complete manual from: www.heydownloads.com by clicking the link below



- Please note: If there is no response to CLICKING the link, please download this PDF first and then click on it.

CLICK HERE TO **DOWNLOAD** THE COMPLETE MANUAL