



# R06-06

**ElektroSchlepper  
ElectricTractor  
Tracteurélectrique  
Tractorelectrico  
Trattoreelettrico**

**STILL  
ELECTRONIC  
DOCUMENTATION  
SYSTEM**

# STEDS



<b>Ersatz- teil- Liste</b>	<b>Spare Parts List</b>	<b>Catalogue de pièces détachées</b>	<b>Catálogo de recambio</b>	<b>Catalogo parti di ricambio</b>
------------------------------------	---------------------------------	--	-------------------------------------	---

bis Fabriknummer 28 0126 A 00044  
09.2002 - 12.2009

**Ident-Nr. 159021 - R0126 (R0607)**



STILL GmbH

CLICK HERE TO **DOWNLOAD** THE COMPLETE MANUAL

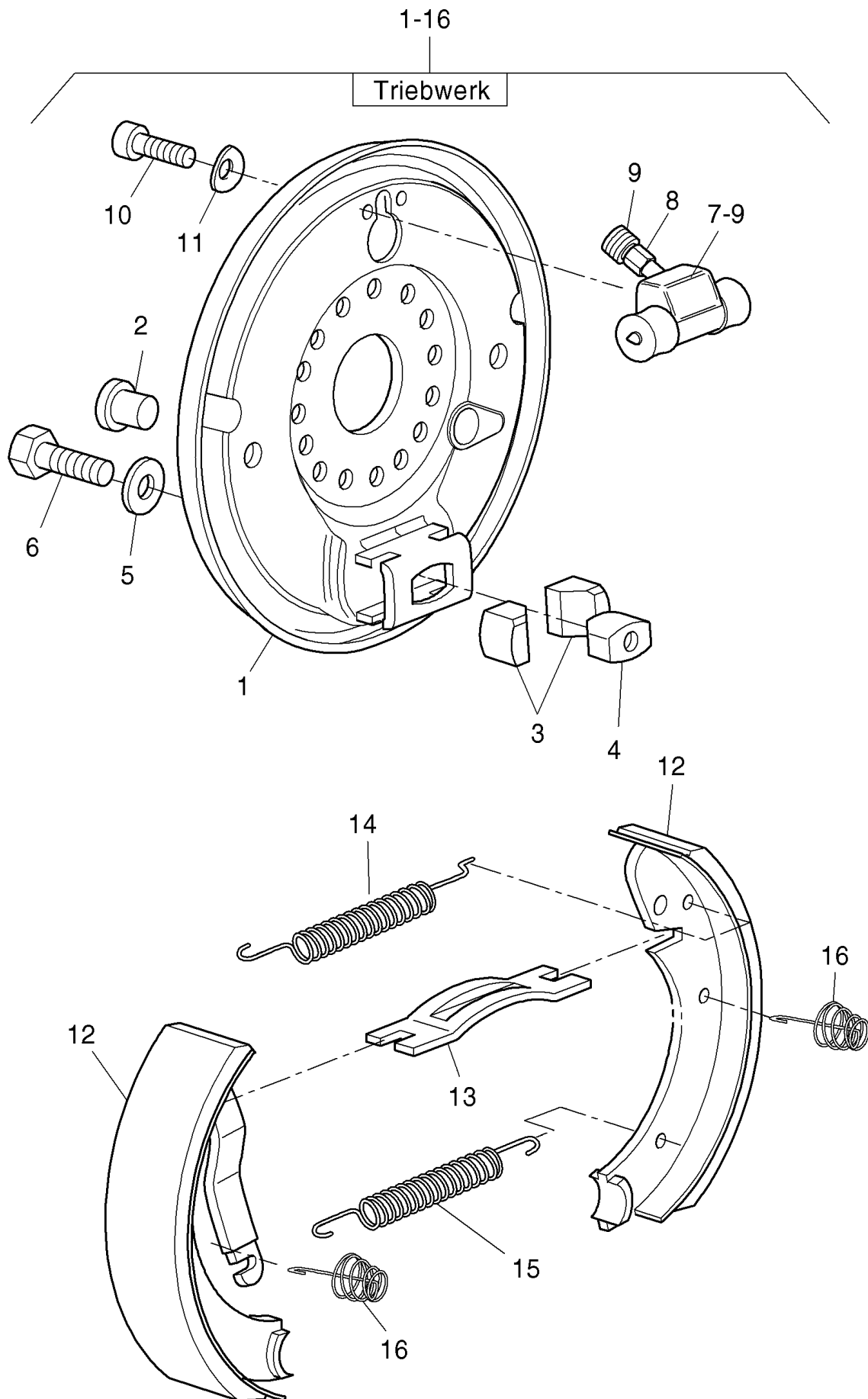
- Thank you very much for reading the preview of the manual.
- You can download the complete manual from: [www.heydownloads.com](http://www.heydownloads.com) by clicking the link below



- Please note: If there is no response to CLICKING the link, please download this PDF first and then click on it.

CLICK HERE TO **DOWNLOAD** THE COMPLETE MANUAL

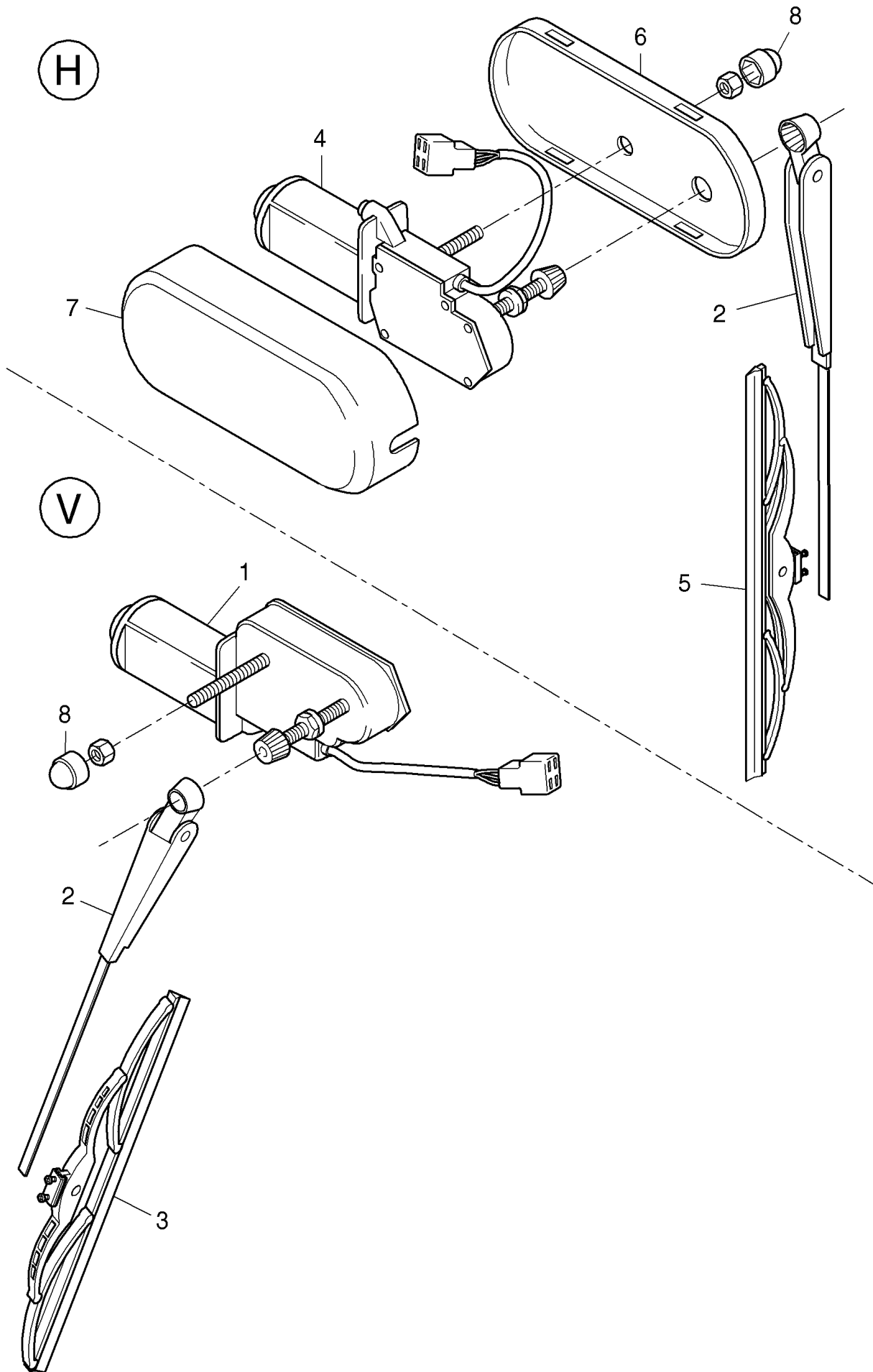




Pos.12:1Satz

8997









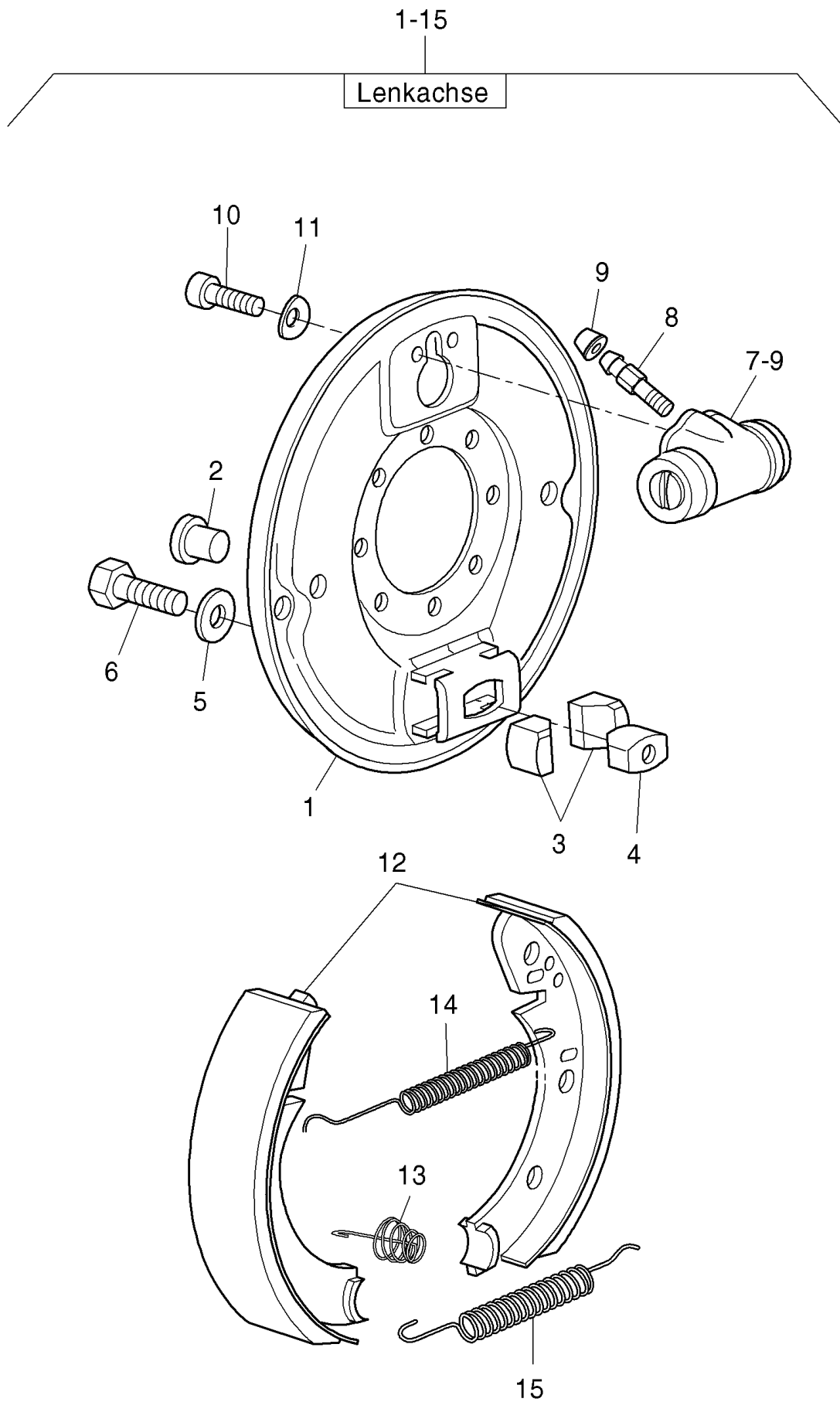
CLICK HERE TO **DOWNLOAD** THE COMPLETE MANUAL

- Thank you very much for reading the preview of the manual.
- You can download the complete manual from: [www.heydownloads.com](http://www.heydownloads.com) by clicking the link below



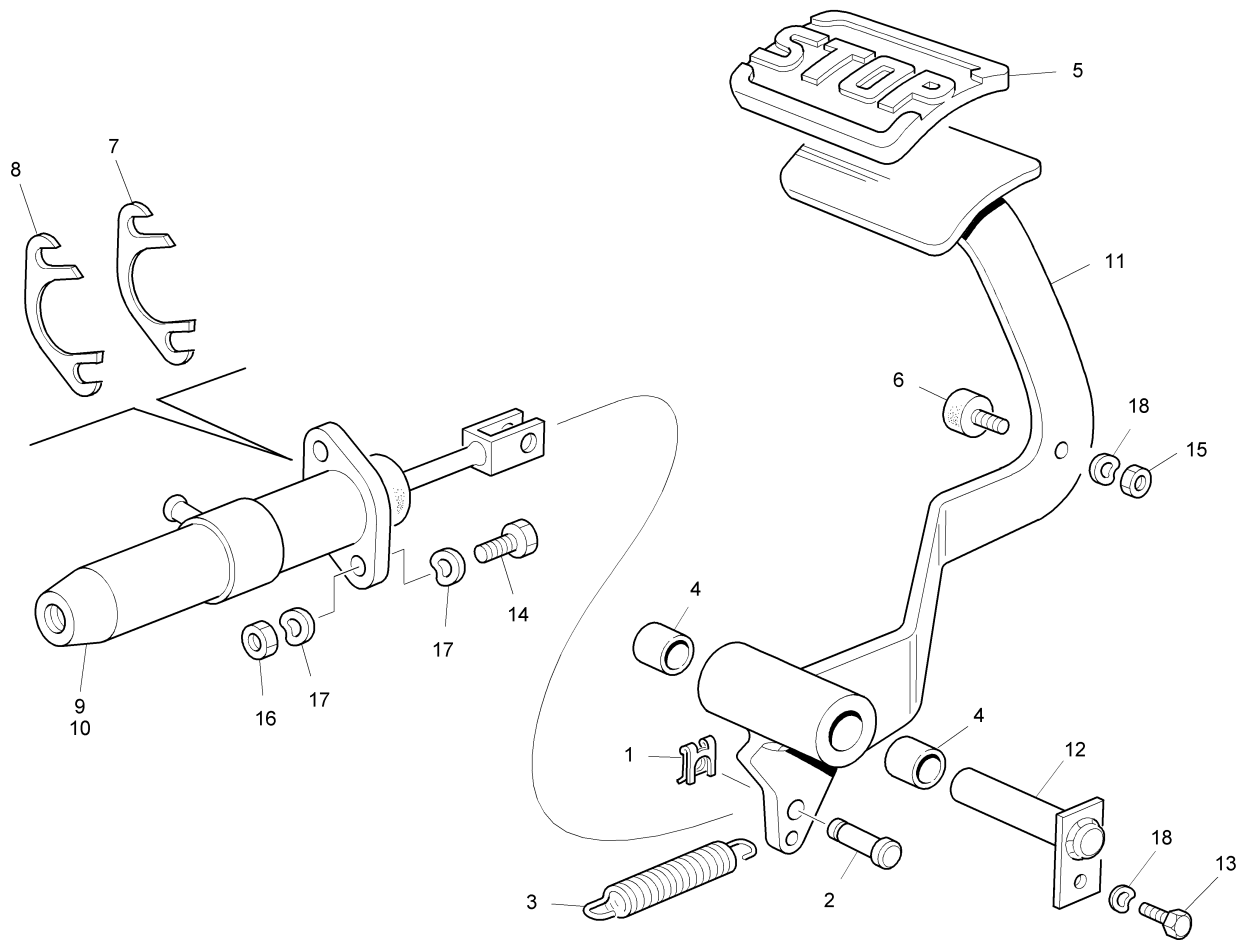
- Please note: If there is no response to CLICKING the link, please download this PDF first and then click on it.

CLICK HERE TO **DOWNLOAD** THE COMPLETE MANUAL



Ausf.:2/Pos.12:1Satz

8995



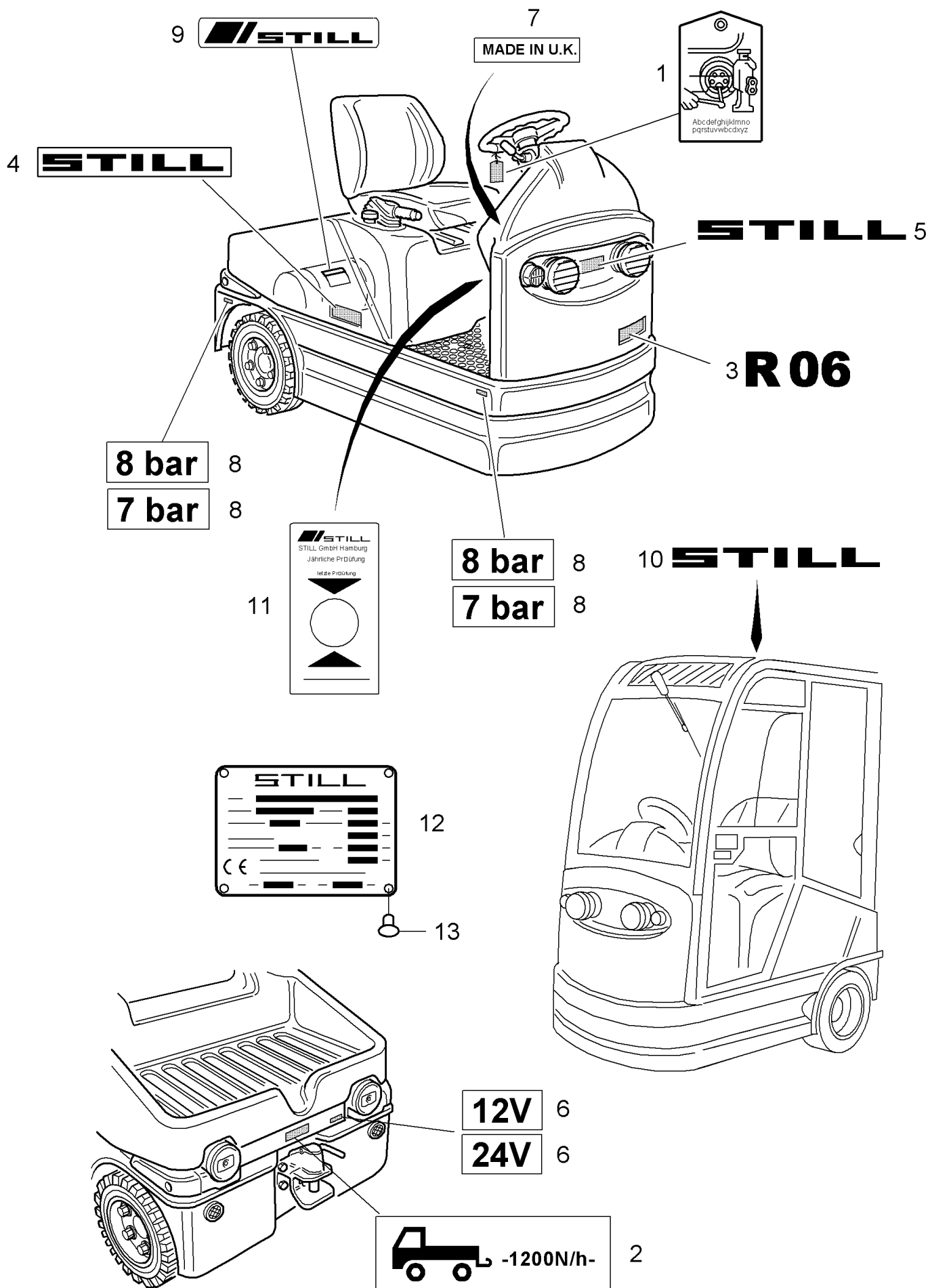
17423











0156890	Page:	84
0156893	Page:	84
0156894	Page:	84
0156895	Page:	84
0156896	Page:	84, 116
0156898	Page:	94
0156903	Page:	94
0156904	Page:	94
0156905	Page:	94
0156906	Page:	94, 96
0156909	Page:	94
0156910	Page:	94
0156914	Page:	94, 112
0156916	Page:	94, 112
0156917	Page:	110,
0156918	Page:	110
0156919	Page:	110
0156920	Page:	110
0156921	Page:	110
0156922	Page:	110
0156923	Page:	8, 12, 110
0156925	Page:	110, 114
0156927	Page:	110, 112
0156929	Page:	112
0156930	Page:	112
0156931	Page:	112
0156932	Page:	112
0156933	Page:	112
0156935	Page:	116
0156937	Page:	116
0156938	Page:	116, 122
0156939	Page:	116
0156942	Page:	116
0156943	Page:	116
0156945	Page:	116
0156947	Page:	116
0156948	Page:	116
0156952	Page:	112, 116
0156953	Page:	112, 116
0156954	Page:	116
0156958	Page:	118
0156960	Page:	118
0156961	Page:	118
0156962	Page:	118
0156964	Page:	118

CLICK HERE TO **DOWNLOAD** THE COMPLETE MANUAL

- Thank you very much for reading the preview of the manual.
- You can download the complete manual from: [www.heydownloads.com](http://www.heydownloads.com) by clicking the link below



- Please note: If there is no response to CLICKING the link, please download this PDF first and then click on it.

CLICK HERE TO **DOWNLOAD** THE COMPLETE MANUAL