

ERSATZTEILLISTE

Spare Parts List
Catalogue de pièces détachées
Catalogo parti di ricambio
Catálogo de recambio

SCHUBMASTSTAPLER

Reach mast stacker
Chariot élévateur à mât rétractable
Carrello elevatore a forza retrattile
Carretilla de horquilla elevadora

STILL ELECTRONIC DOCUMENTATION SYSTEM

FM-SE 14/16/20



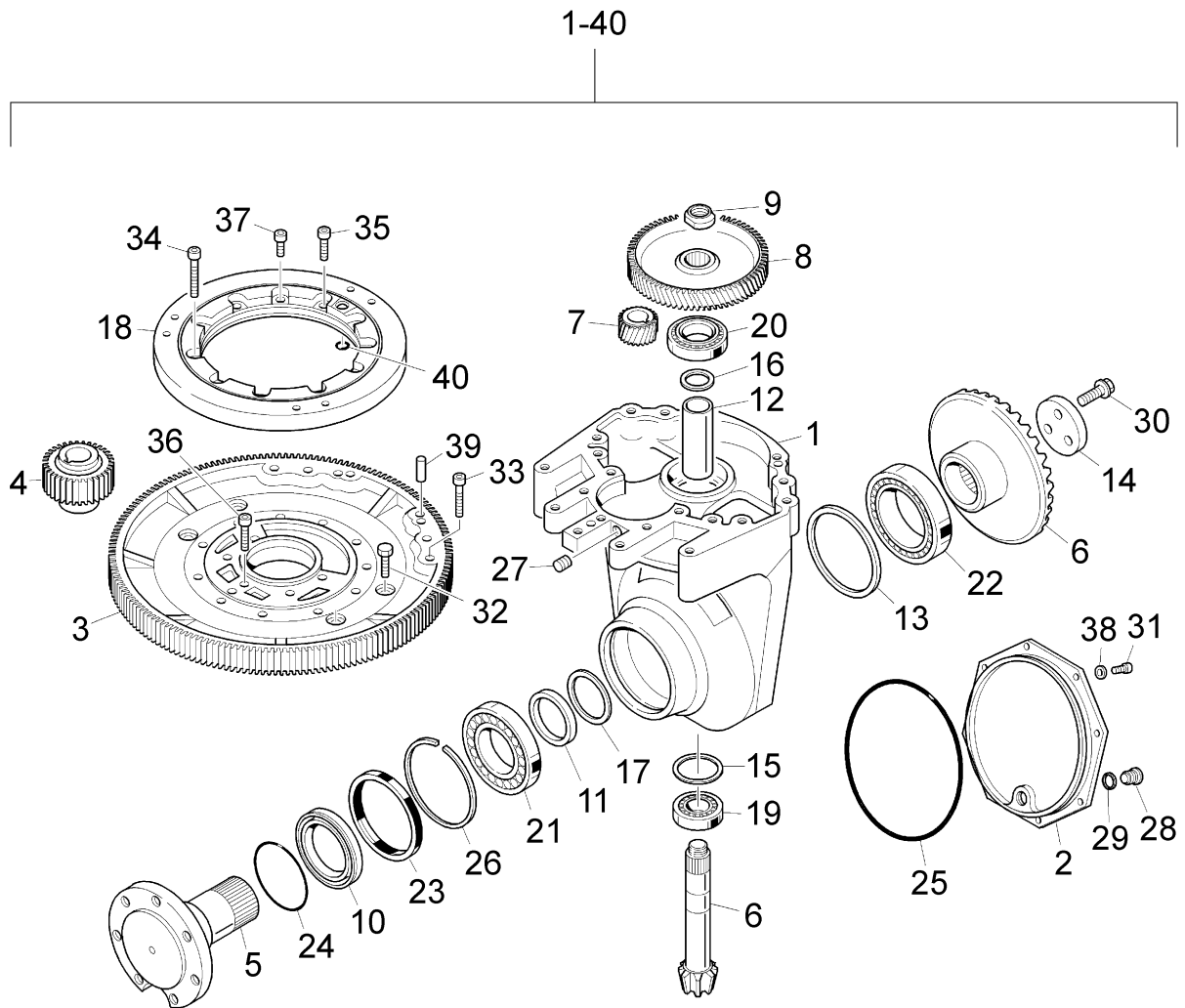
CLICK HERE TO **DOWNLOAD** THE COMPLETE MANUAL

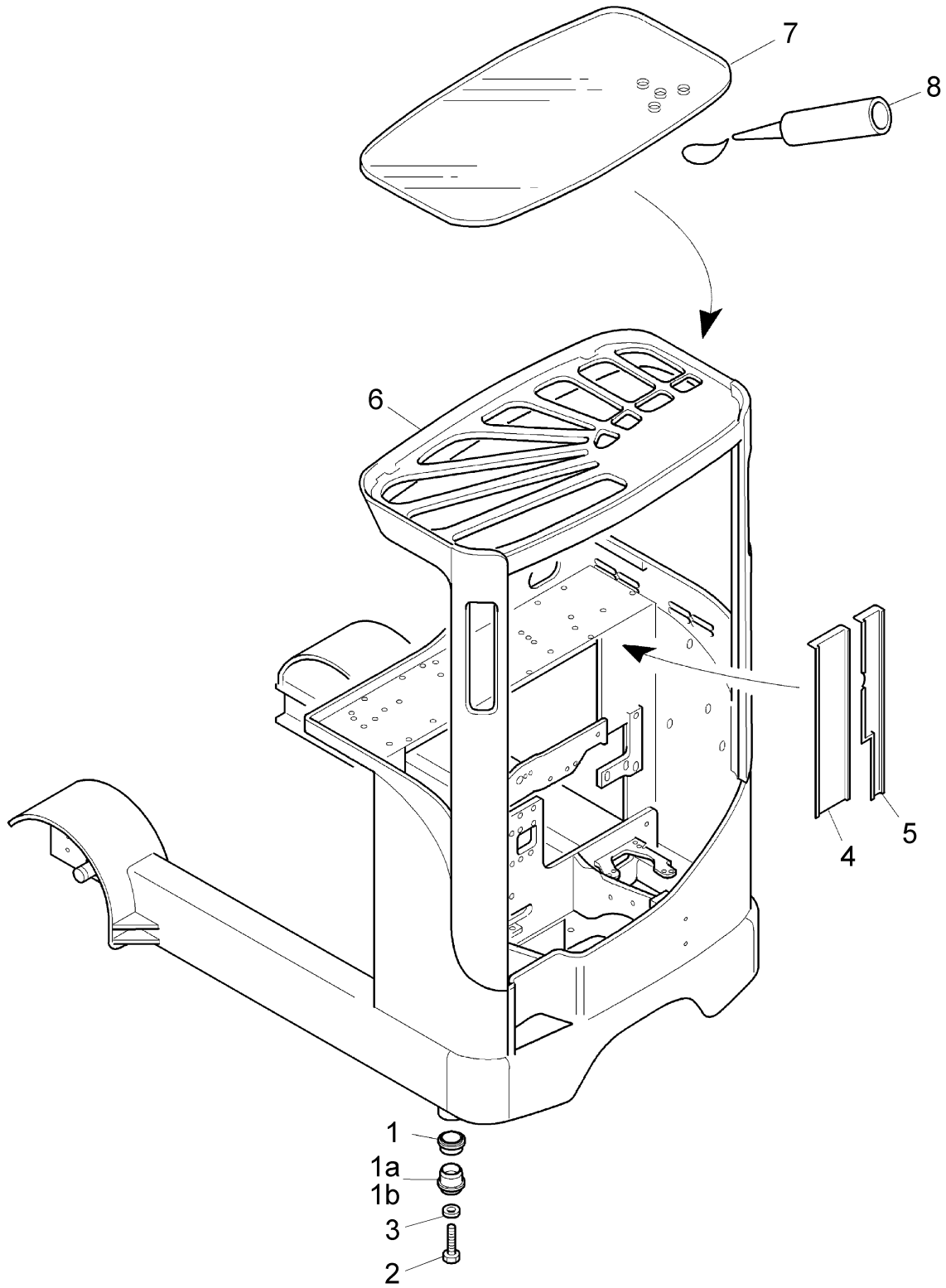
- Thank you very much for reading the preview of the manual.
- You can download the complete manual from: www.heydownloads.com by clicking the link below



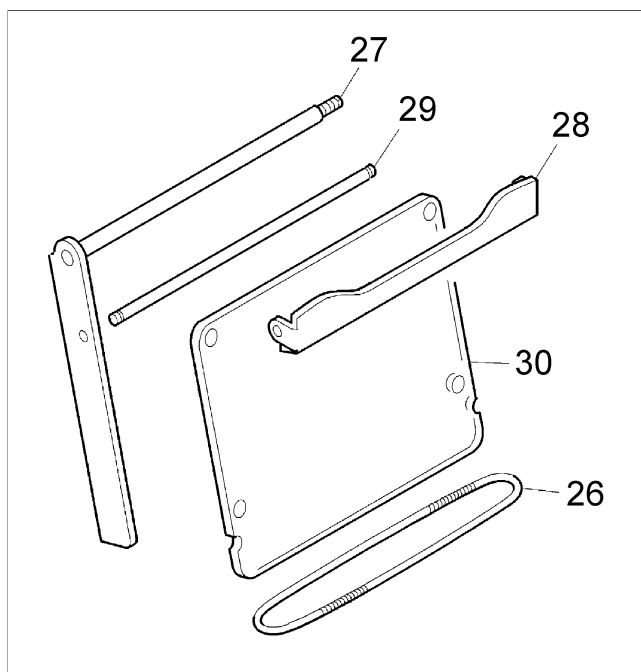
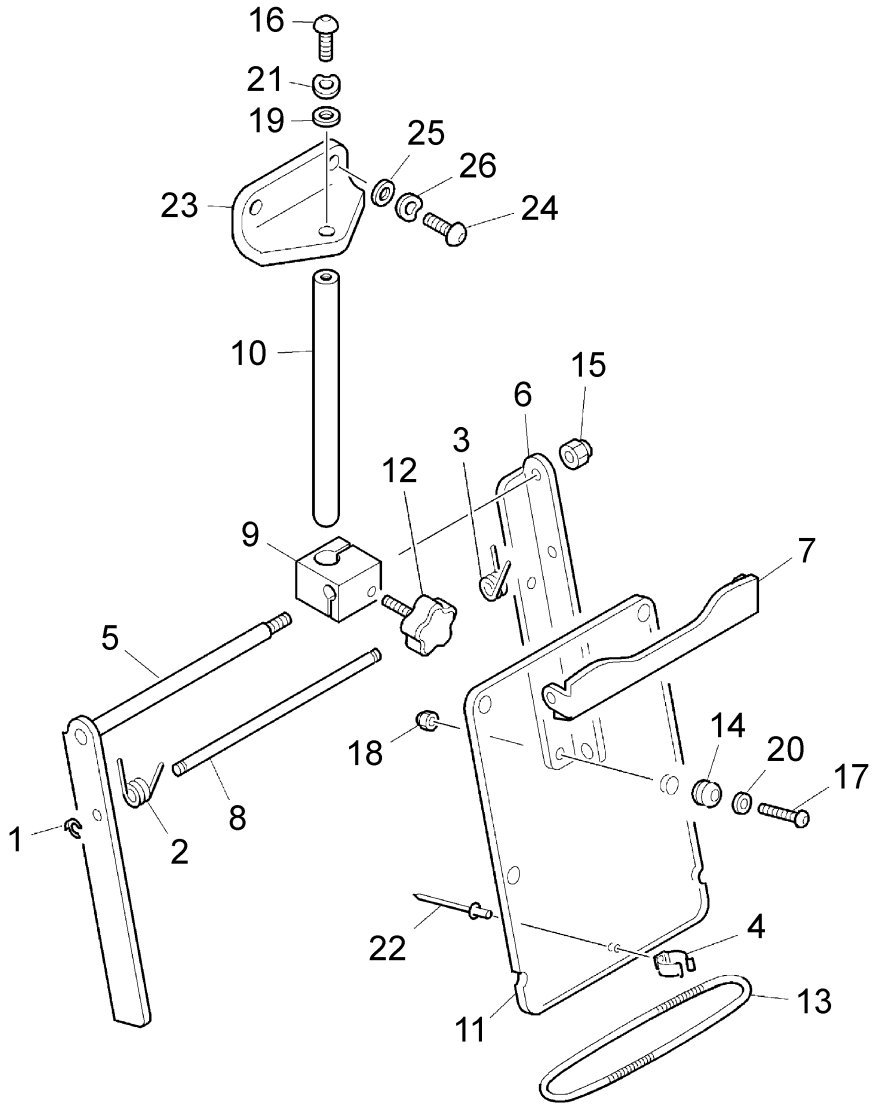
- Please note: If there is no response to CLICKING the link, please download this PDF first and then click on it.

CLICK HERE TO **DOWNLOAD** THE COMPLETE MANUAL

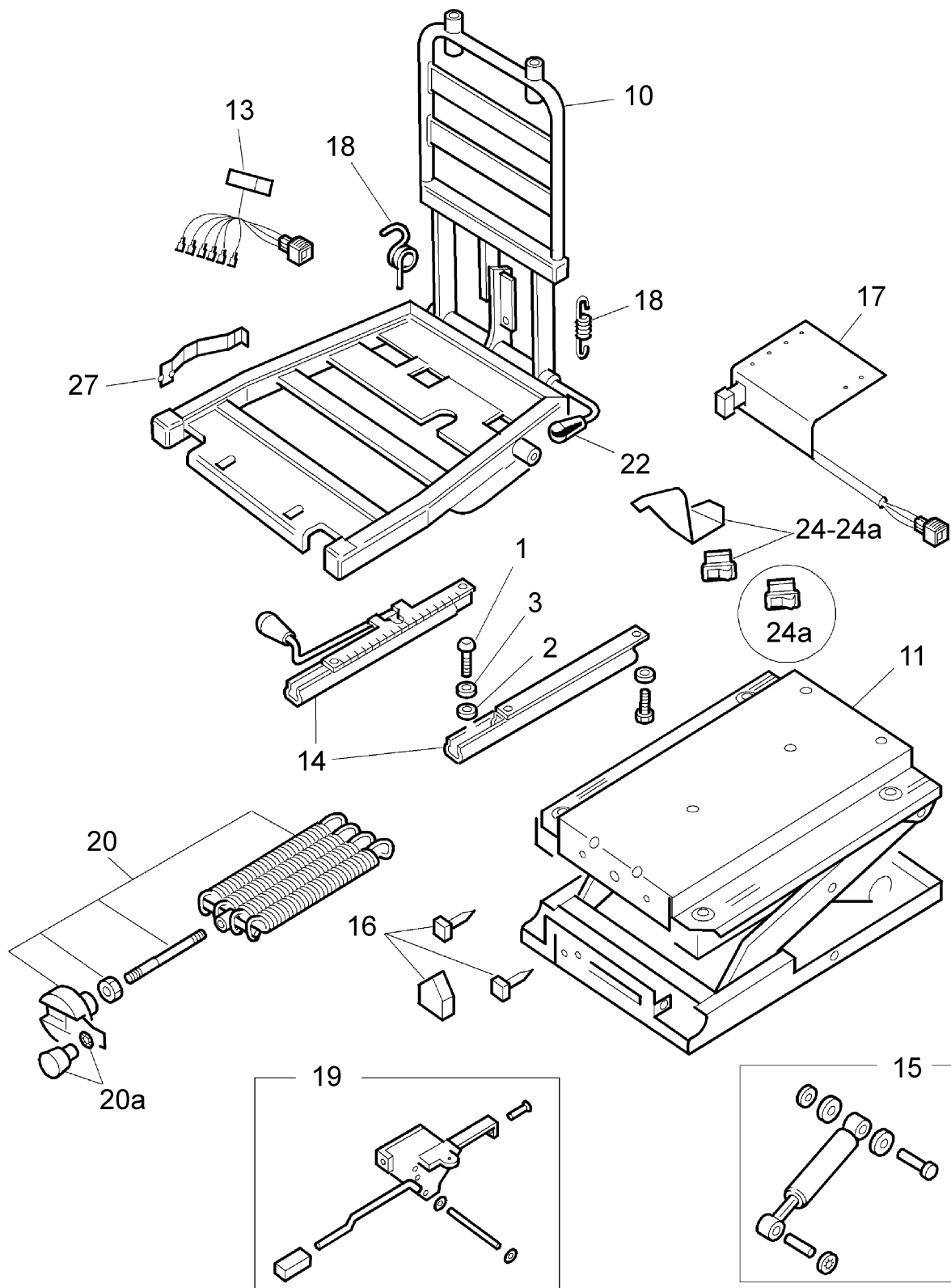


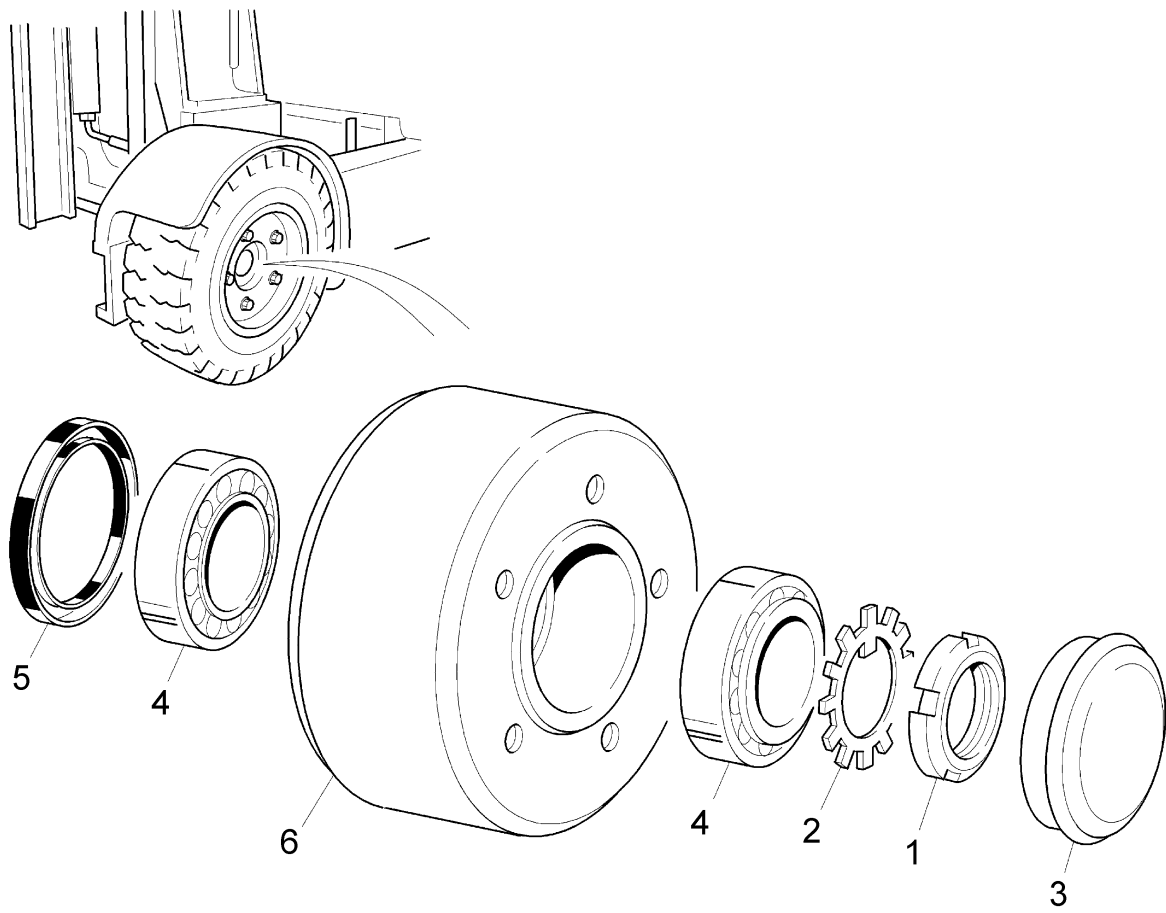


16759

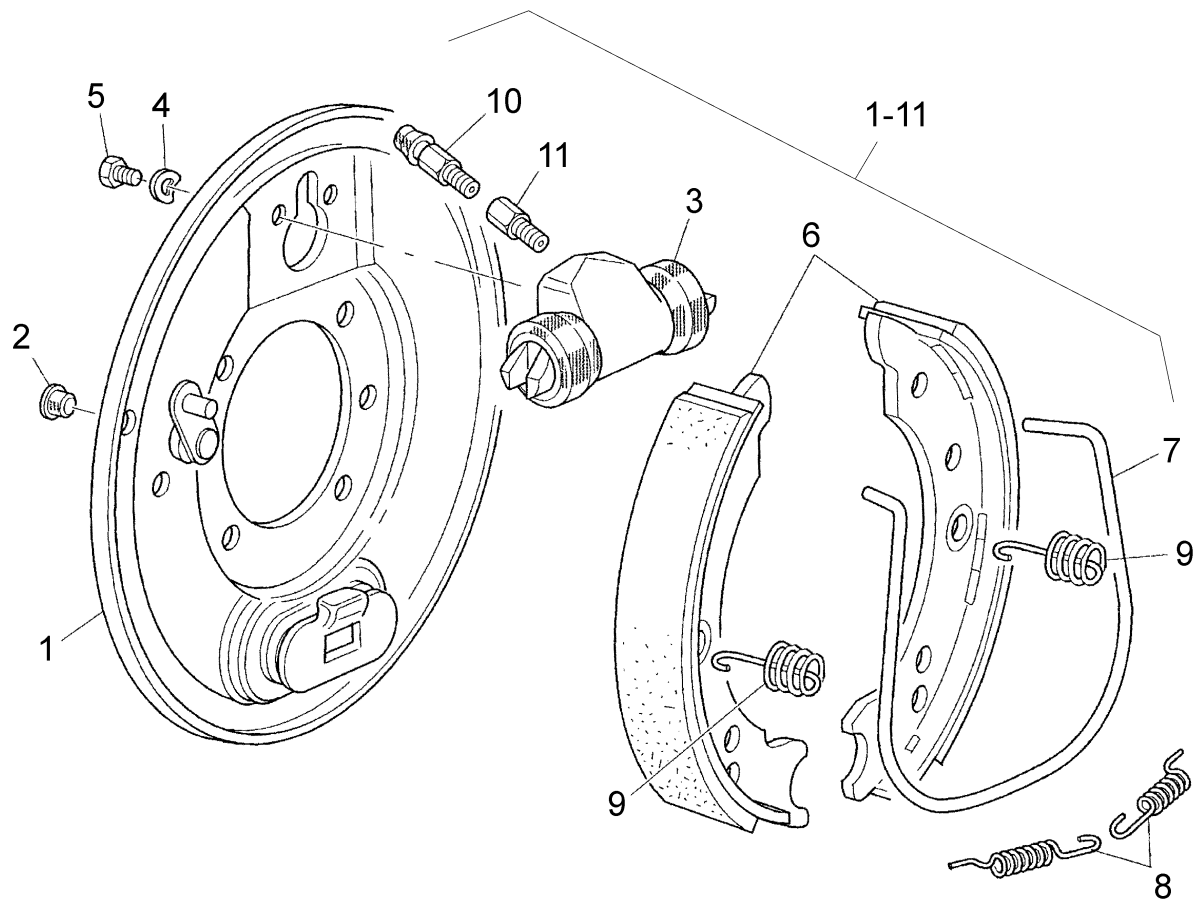


16748

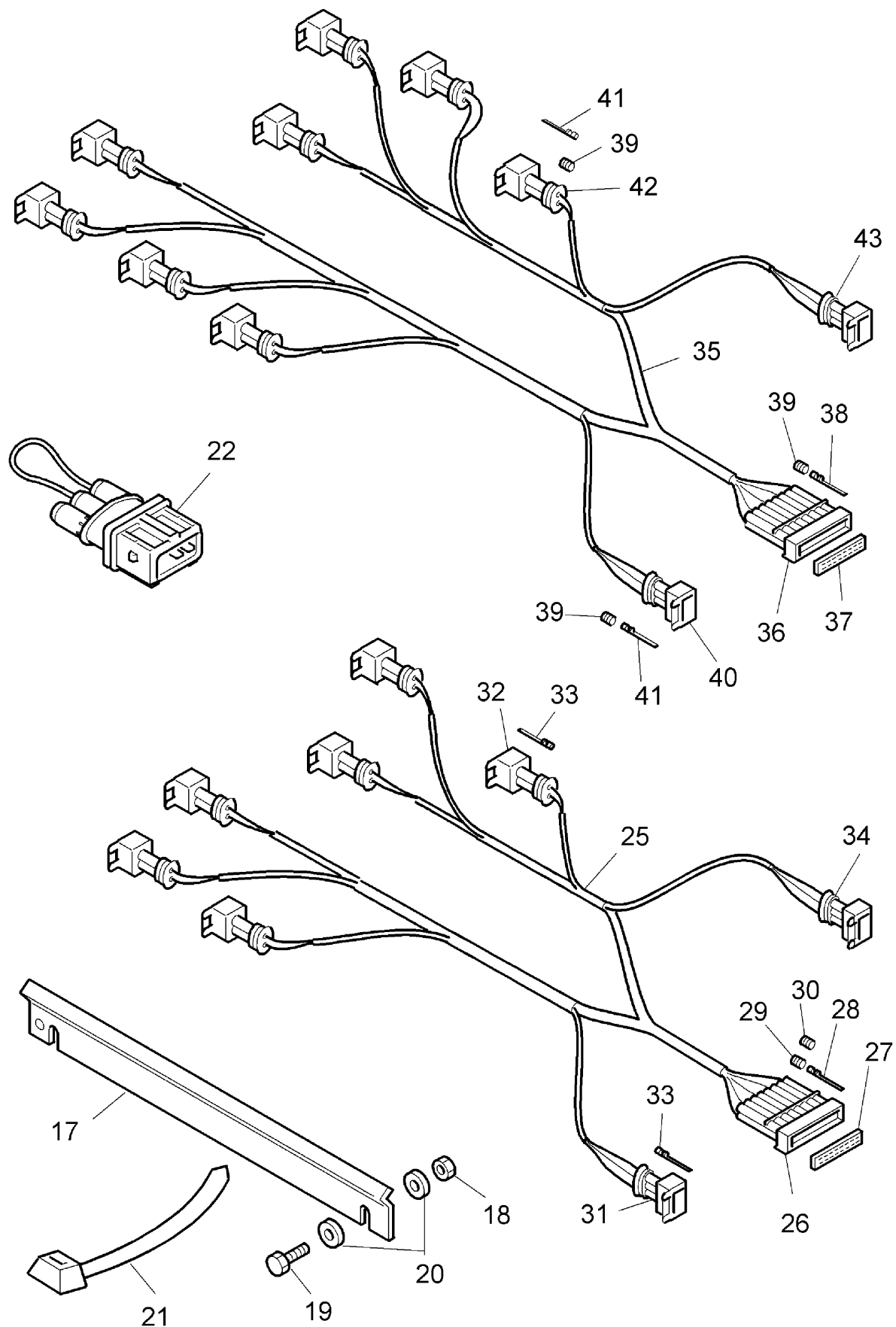




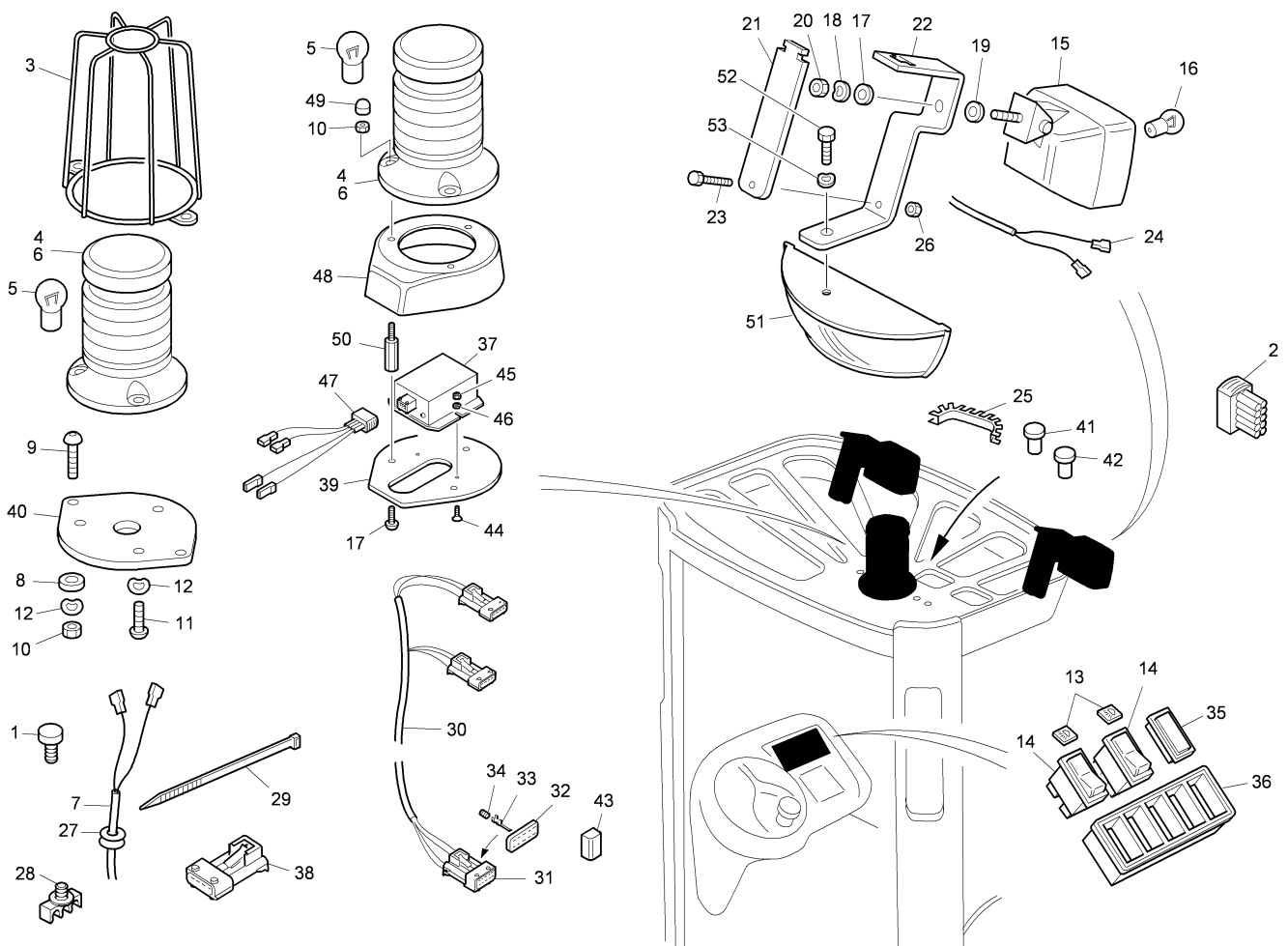
16755



16758



16771



17478

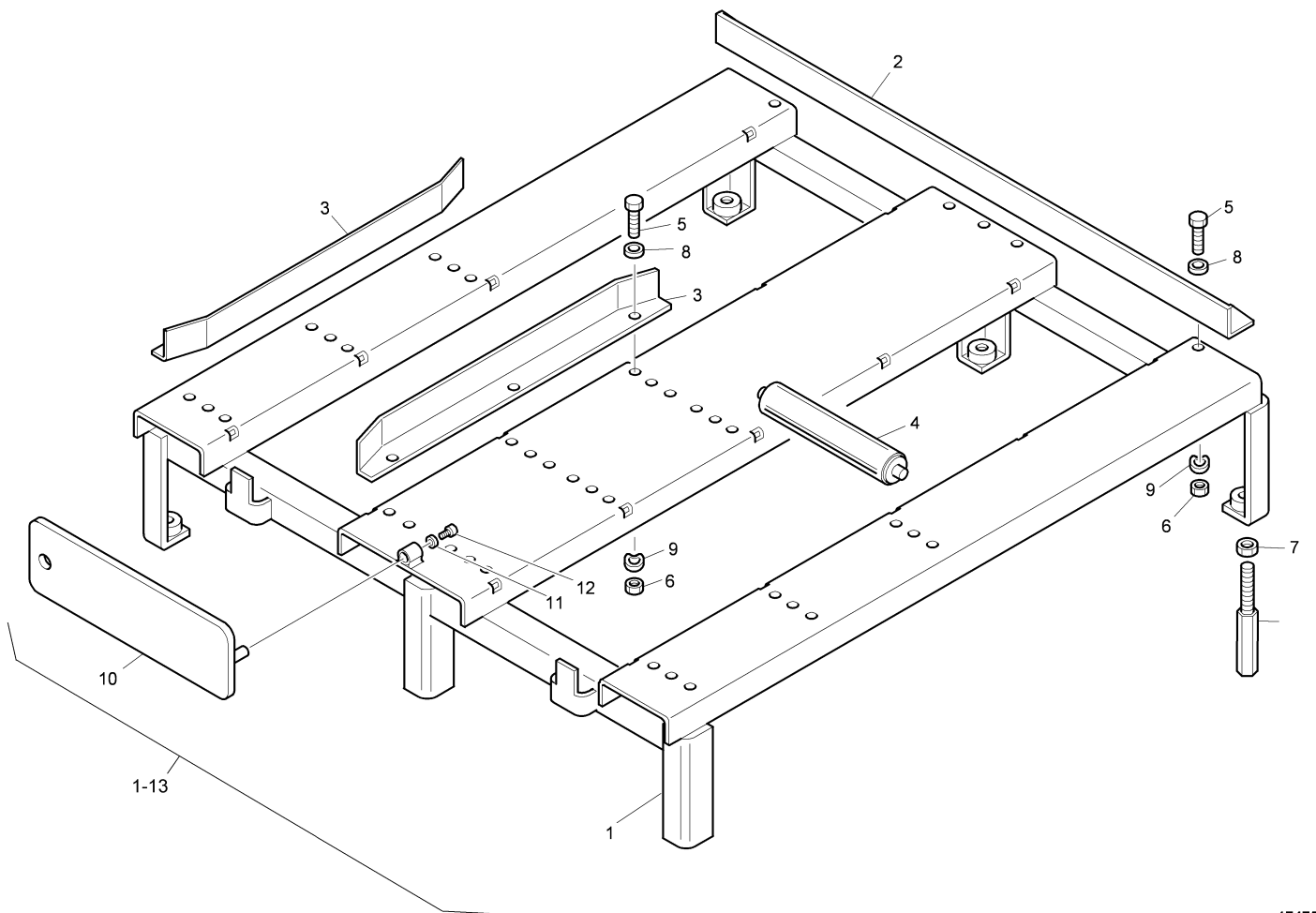
CLICK HERE TO **DOWNLOAD** THE COMPLETE MANUAL

- Thank you very much for reading the preview of the manual.
- You can download the complete manual from: www.heydownloads.com by clicking the link below

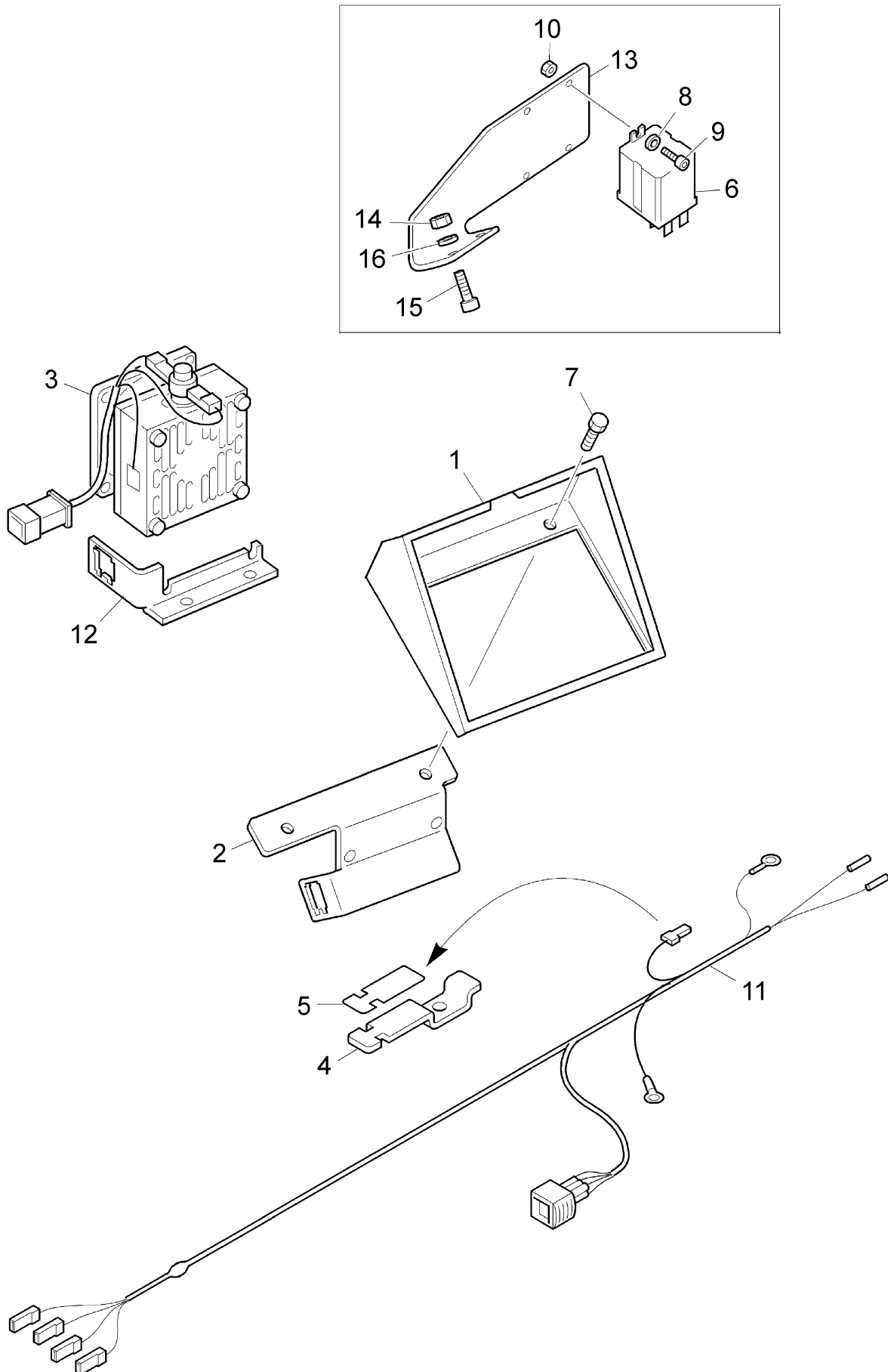


- Please note: If there is no response to CLICKING the link, please download this PDF first and then click on it.

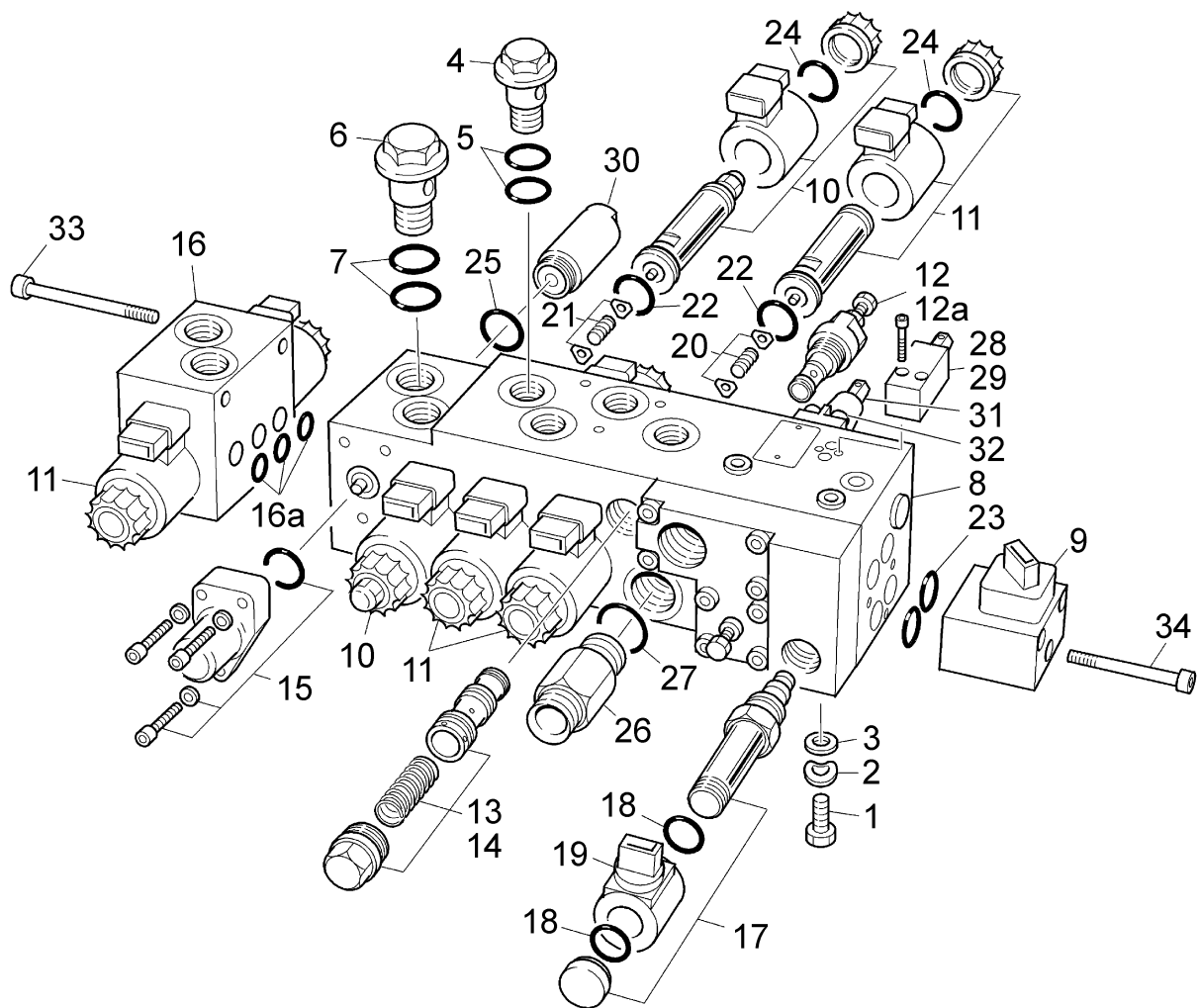
CLICK HERE TO **DOWNLOAD** THE COMPLETE MANUAL



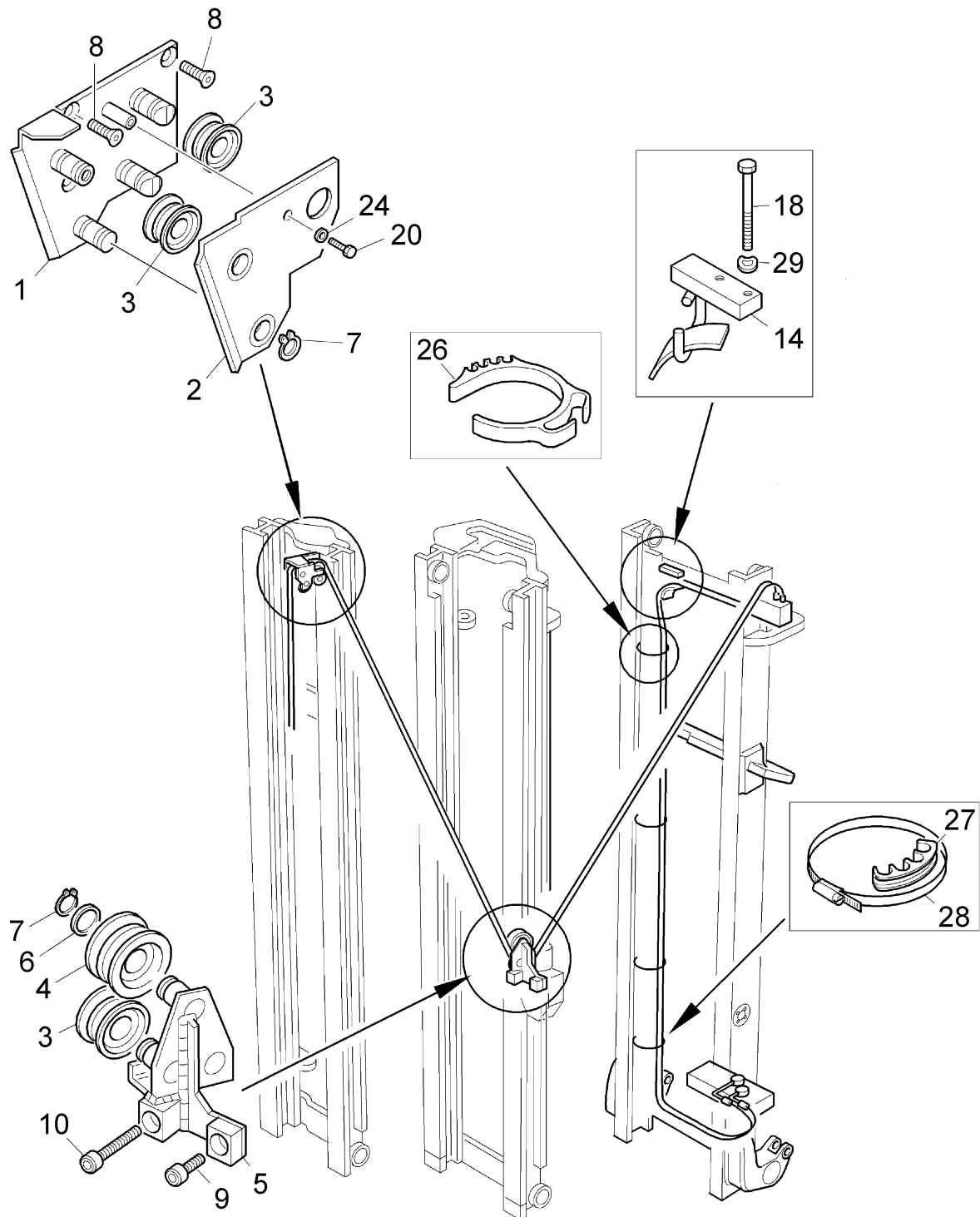
17475

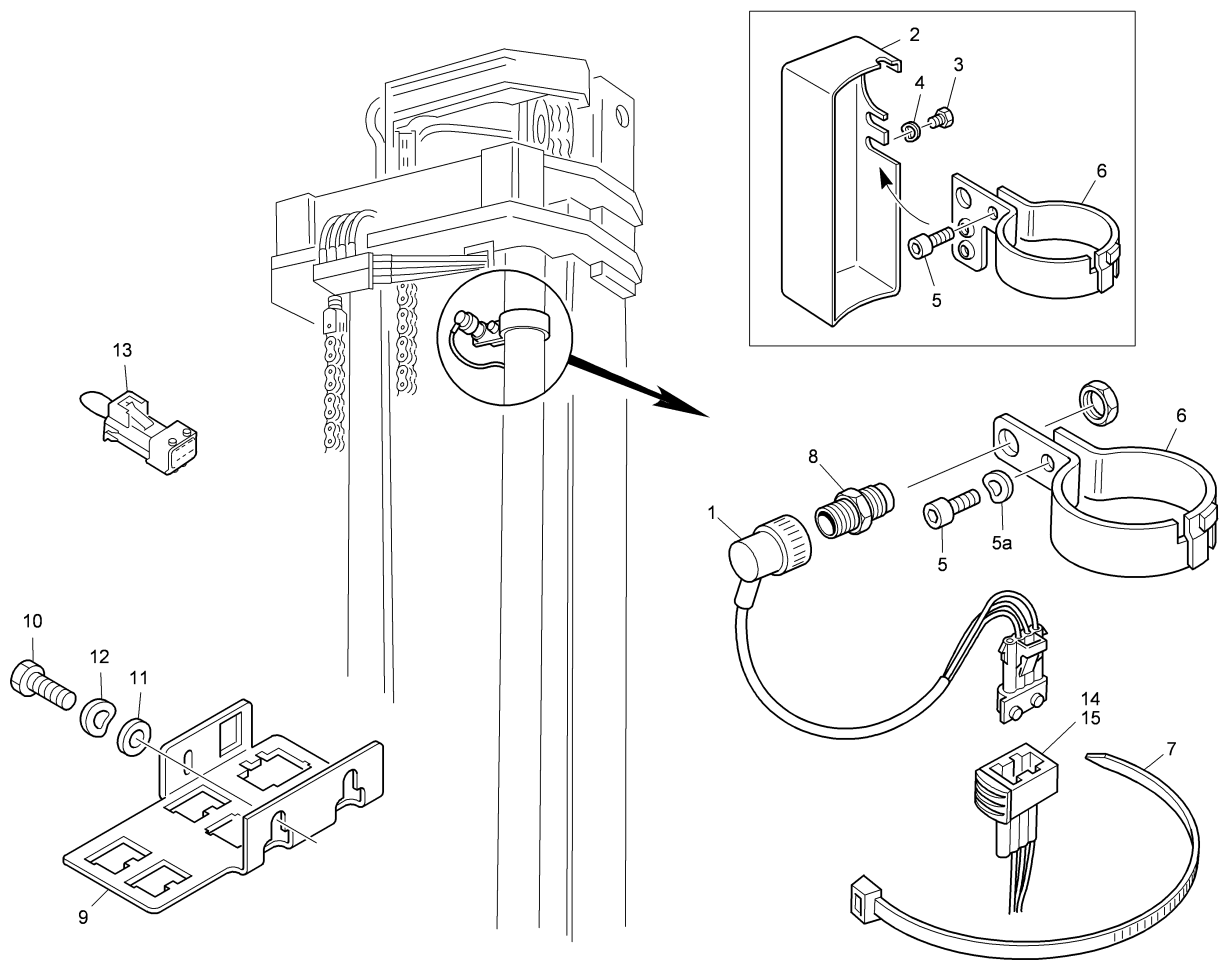


16779

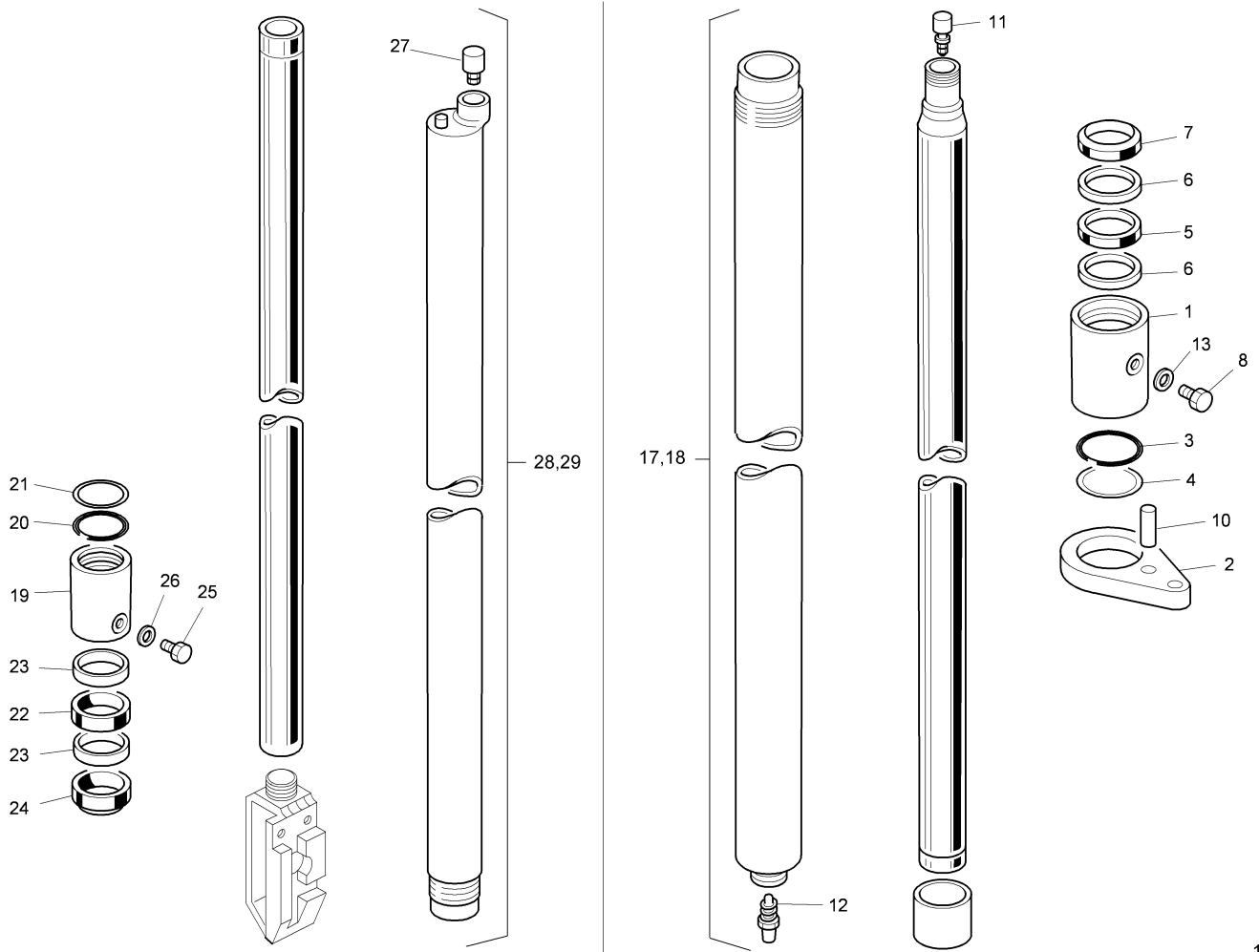


16781

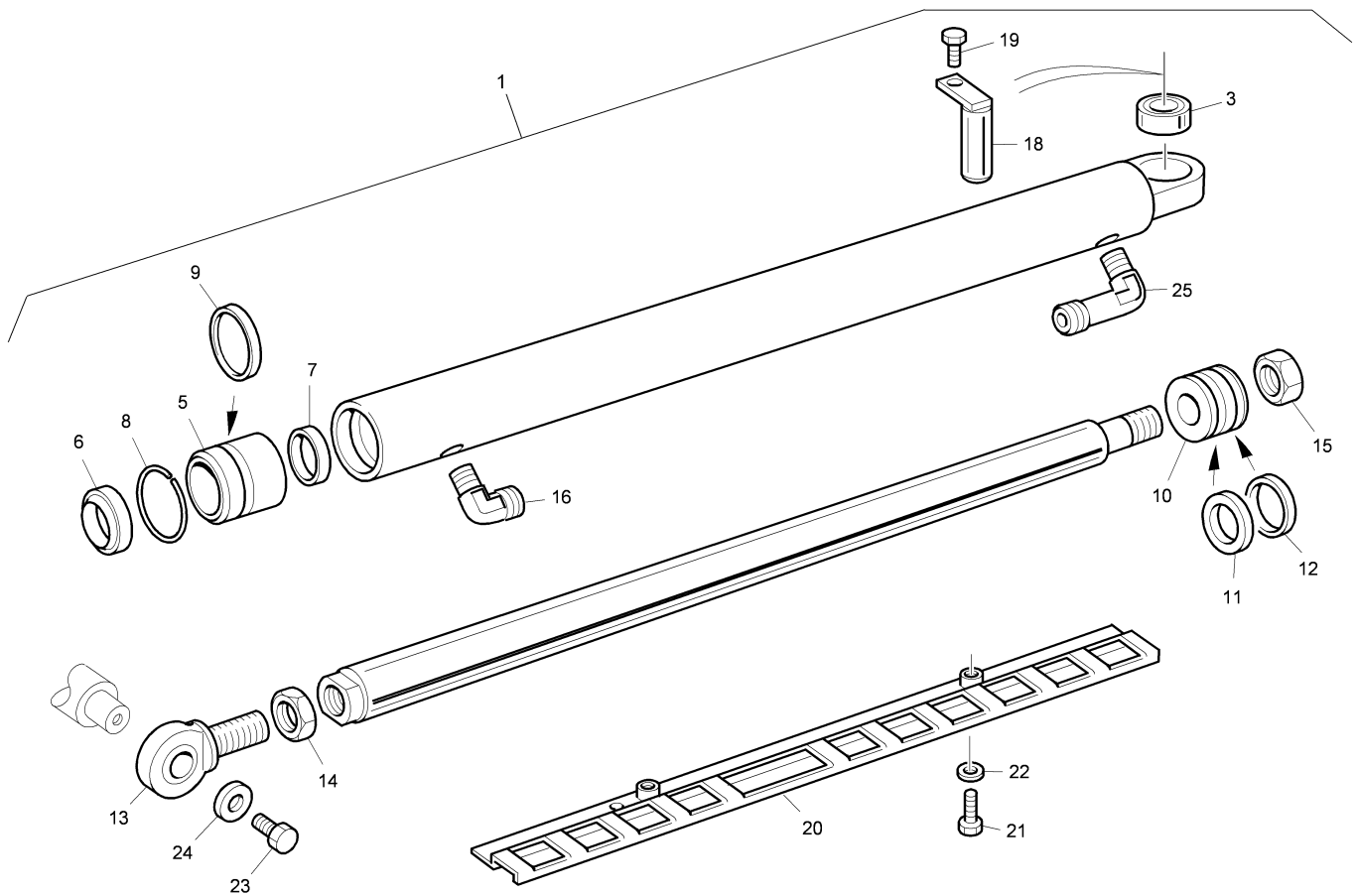




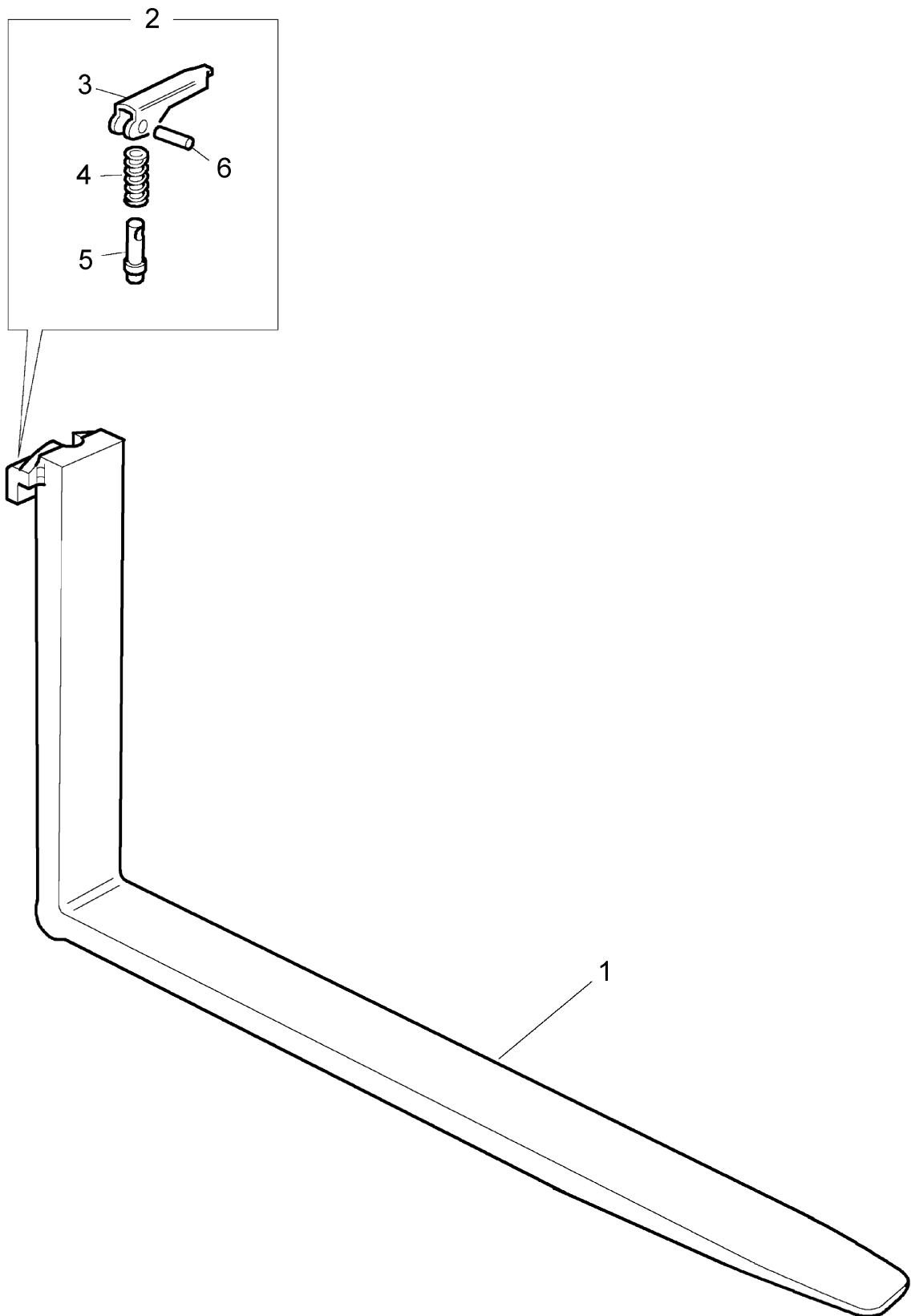
19008



19017



19025



16798

0174380	Page:	16
0174381	Page:	16
0174382	Page:	16
0174383	Page:	16
0174384	Page:	12
0174388	Page:	34
0174390	Page:	34
0174391	Page:	34
0174392	Page:	34
0174393	Page:	34
0174394	Page:	34
0174396	Page:	34
0174397	Page:	34
0174399	Page:	34
0174400	Page:	34
0174401	Page:	34
0174402	Page:	34
0174403	Page:	34
0174404	Page:	34
0174405	Page:	34
0174406	Page:	34
0174407	Page:	36
0174408	Page:	22
0174409	Page:	22
0174410	Page:	22
0174411	Page:	22
0174413	Page:	22
0174414	Page:	30
0174415	Page:	22
0174416	Page:	22
0174417	Page:	22
0174418	Page:	22
0174419	Page:	22
0174420	Page:	22
0174421	Page:	22
0174422	Page:	22
0174423	Page:	22
0174424	Page:	22
0174425	Page:	22
0174426	Page:	24
0174427	Page:	24
0174428	Page:	24
0174429	Page:	24
0174430	Page:	24
0174431	Page:	24

0175239	Page:	154, 158
0175240	Page:	154, 158
0175241	Page:	154, 158
0175242	Page:	154
0175243	Page:	154, 158
0175244	Page:	154, 160
0175245	Page:	154, 160
0175246	Page:	154, 160
0175247	Page:	154, 160
0175248	Page:	154, 160
0175249	Page:	154, 160
0175250	Page:	154, 160
0175251	Page:	154, 160
0175252	Page:	154, 160
0175253	Page:	154
0175254	Page:	154, 160
0175255	Page:	154, 160
0175256	Page:	154, 160
0175257	Page:	156
0175258	Page:	156, 160
0175259	Page:	156
0175263	Page:	162
0175267	Page:	162
0175268	Page:	162
0175269	Page:	162,
0175270	Page:	162,
0175271	Page:	162,
0175280	Page:	168,
0175322	Page:	168
0175352	Page:	168
0175368	Page:	166
0175369	Page:	168
0175370	Page:	170
0175375	Page:	192
0175376	Page:	192
0175383	Page:	84
0175384	Page:	134
0256965	Page:	118
0303282	Page:	130
0370400	Page:	192
0370401	Page:	192
0370402	Page:	192
0370403	Page:	192
0370404	Page:	192
0370407	Page:	192

CLICK HERE TO **DOWNLOAD** THE COMPLETE MANUAL

- Thank you very much for reading the preview of the manual.
- You can download the complete manual from: www.heydownloads.com by clicking the link below



- Please note: If there is no response to CLICKING the link, please download this PDF first and then click on it.

CLICK HERE TO **DOWNLOAD** THE COMPLETE MANUAL