

ERSATZTEILLISTE

Spare Parts List
Catalogue de pièces détachées
Catalogo parti di ricambio
Catálogo de recambio

STILL ELECTRONIC DOCUMENTATION SYSTEM

EGV 14 EGV 16

Gültig ab Fabriknummer:
Valid from serial number:
Valable à partir du numéro di série:
Valido desde el número de serie:
Valido dal numero di serie:

F20276C00001
F20277C00001



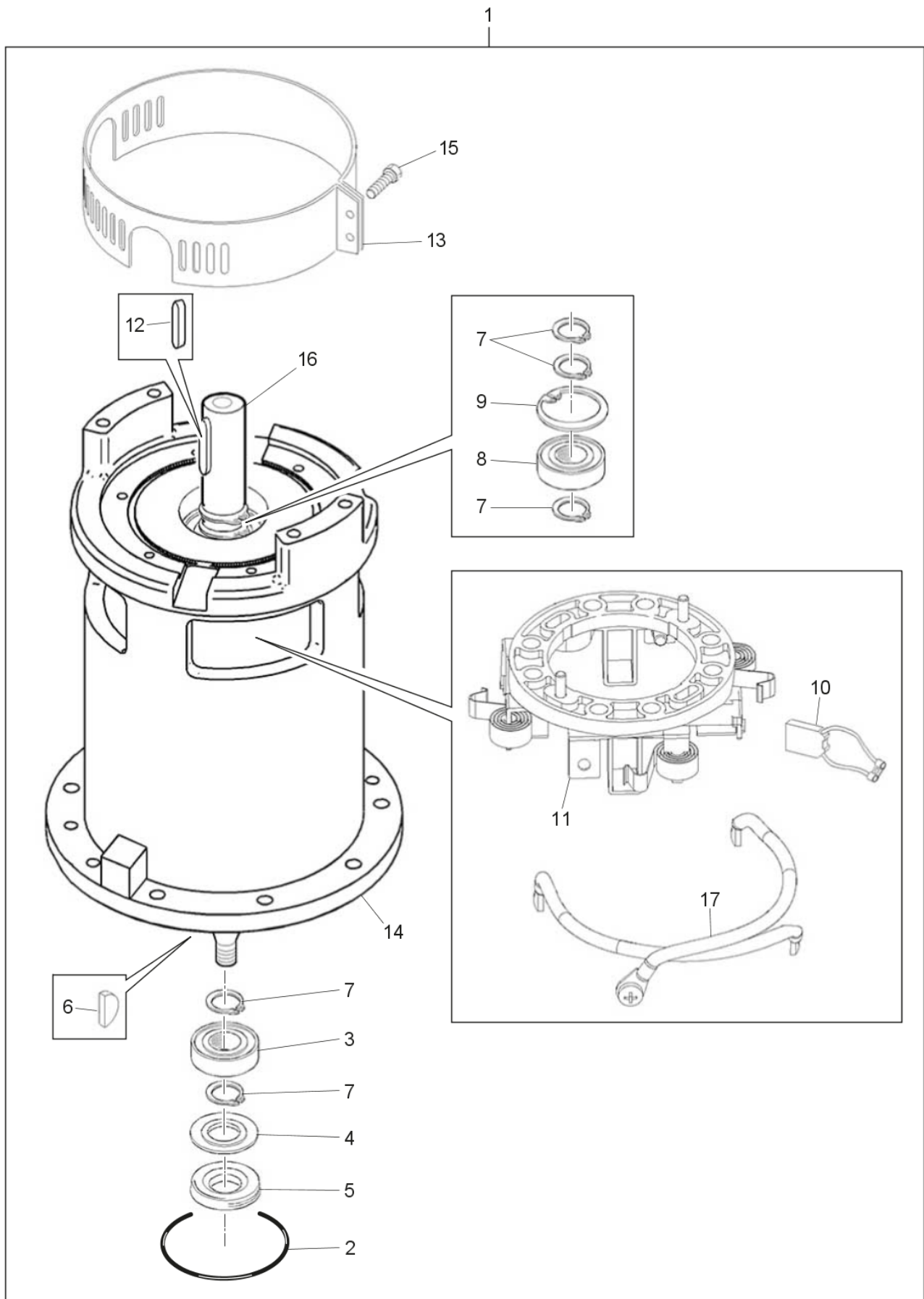
CLICK HERE TO **DOWNLOAD** THE COMPLETE MANUAL

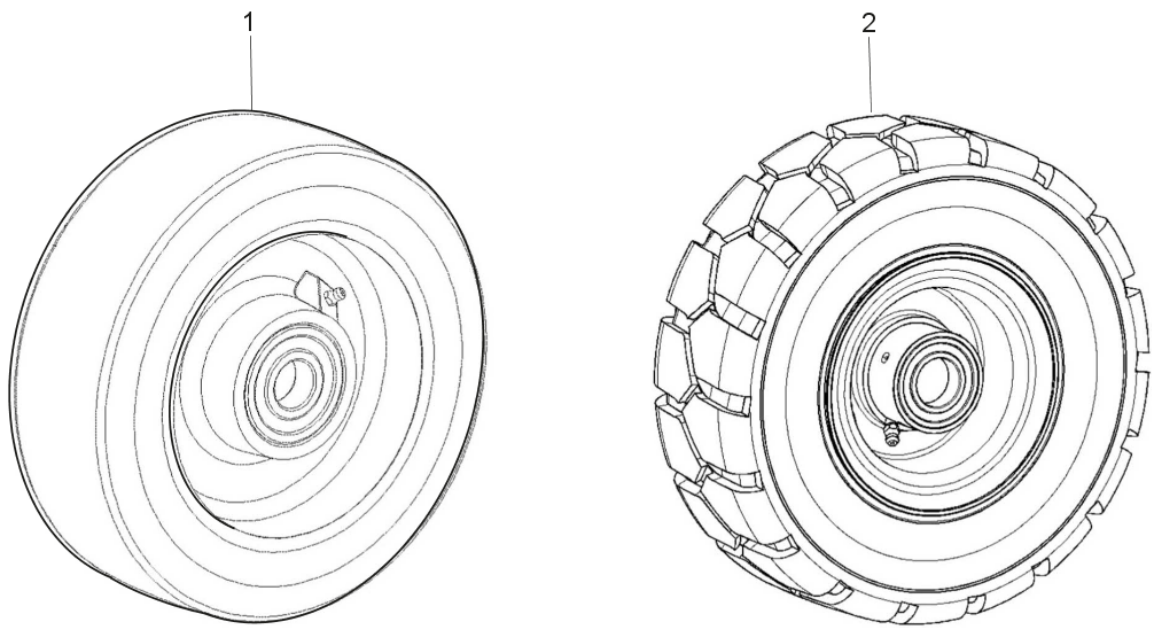
- Thank you very much for reading the preview of the manual.
- You can download the complete manual from: www.heydownloads.com by clicking the link below

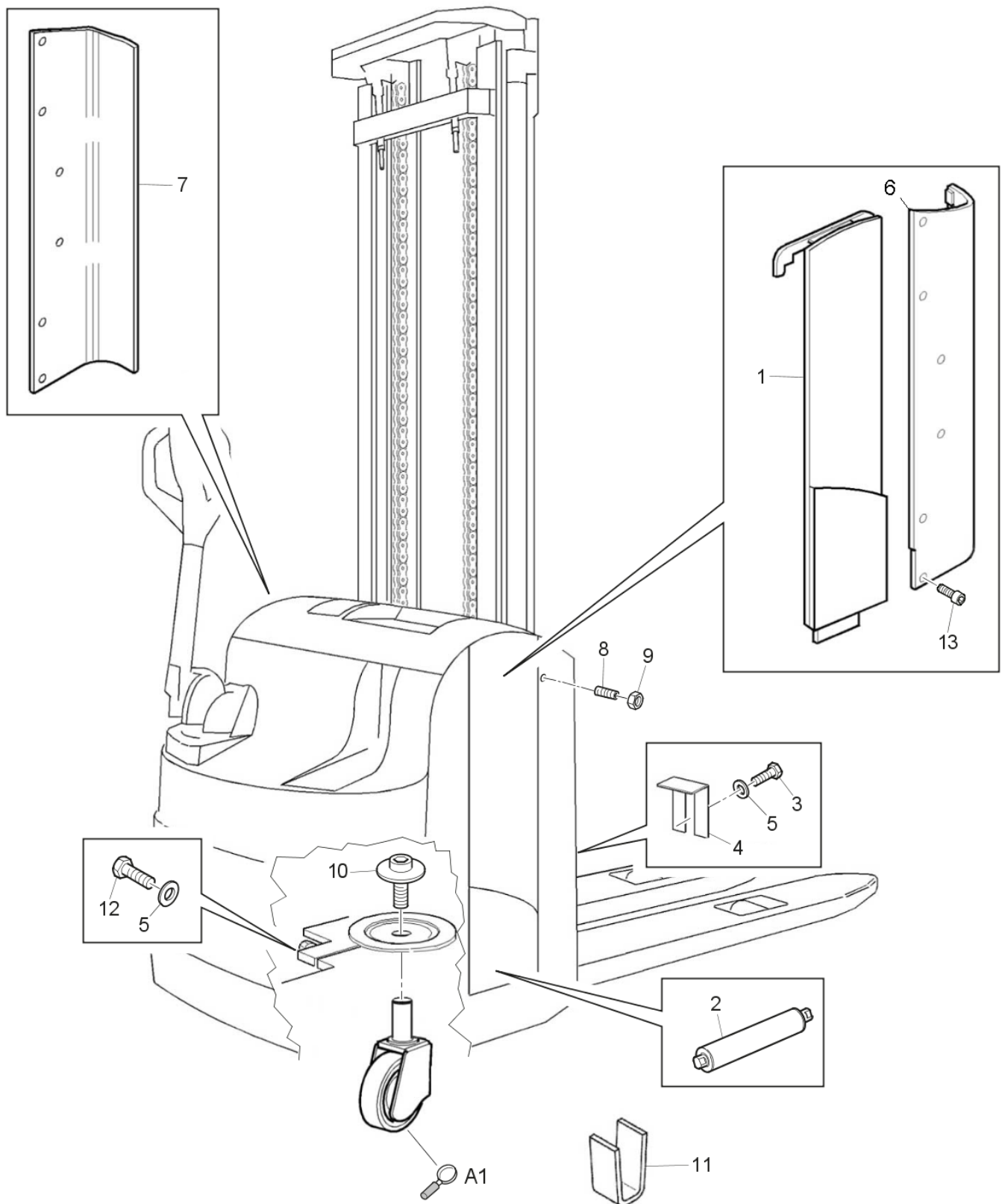


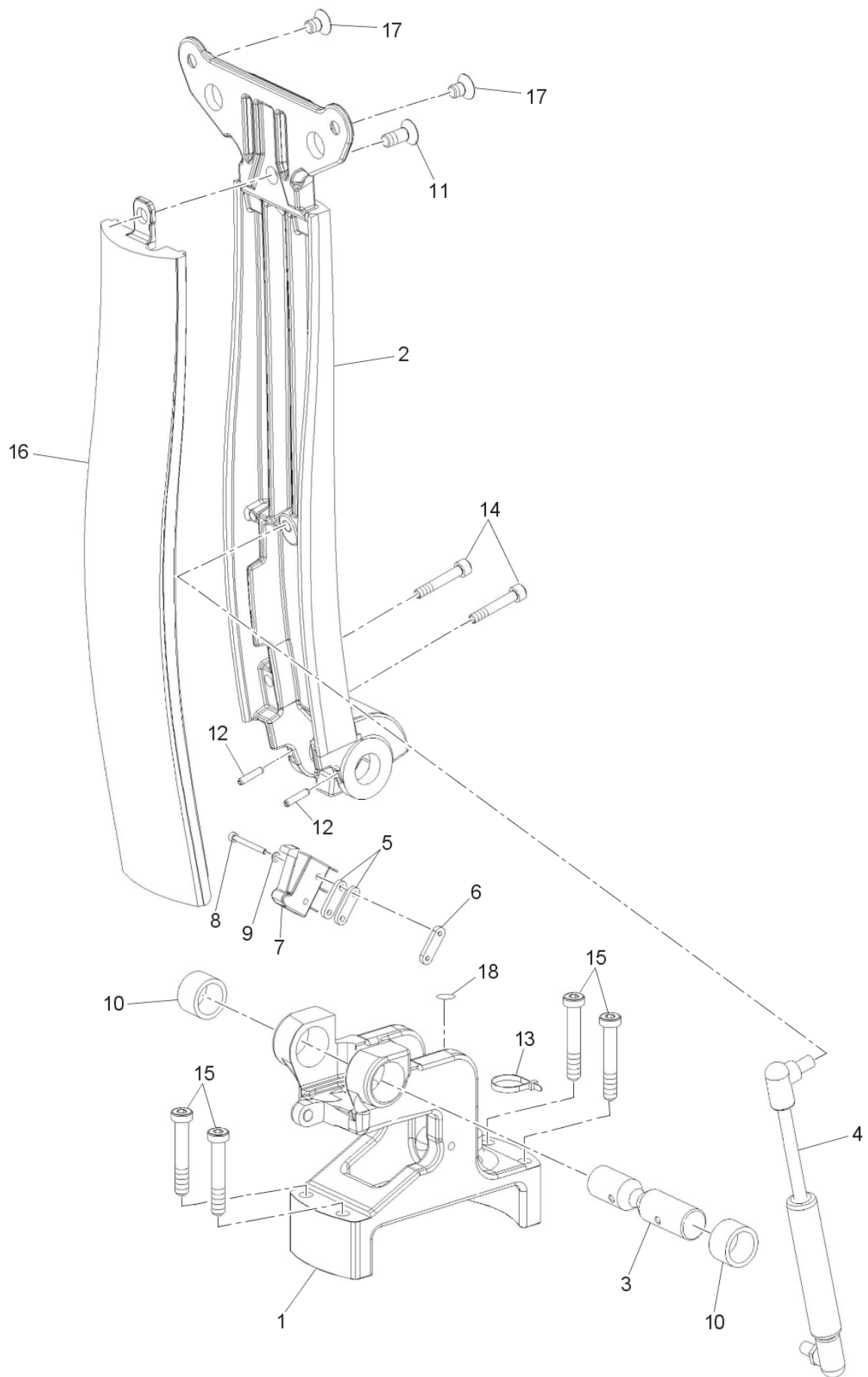
- Please note: If there is no response to CLICKING the link, please download this PDF first and then click on it.

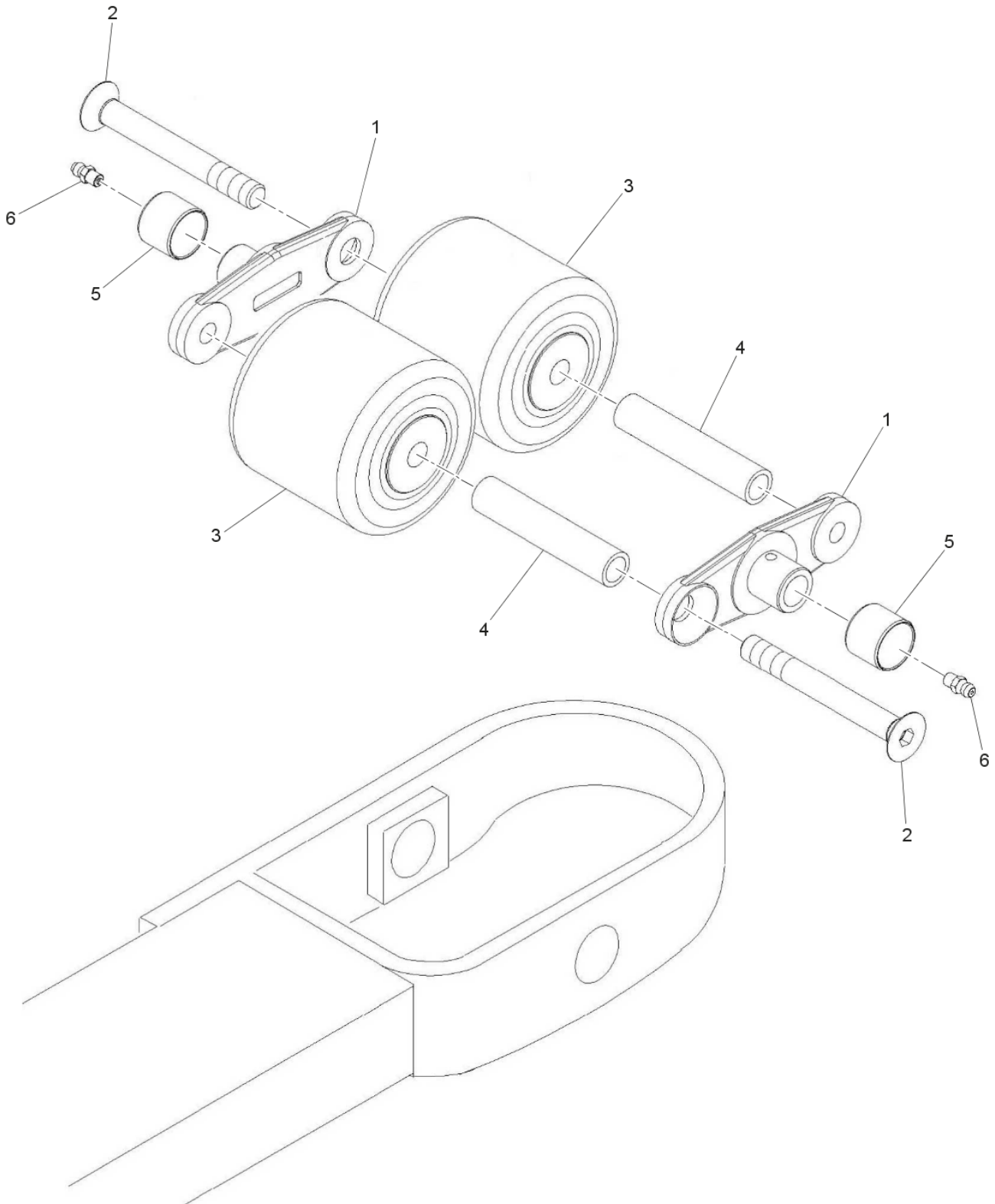
CLICK HERE TO **DOWNLOAD** THE COMPLETE MANUAL

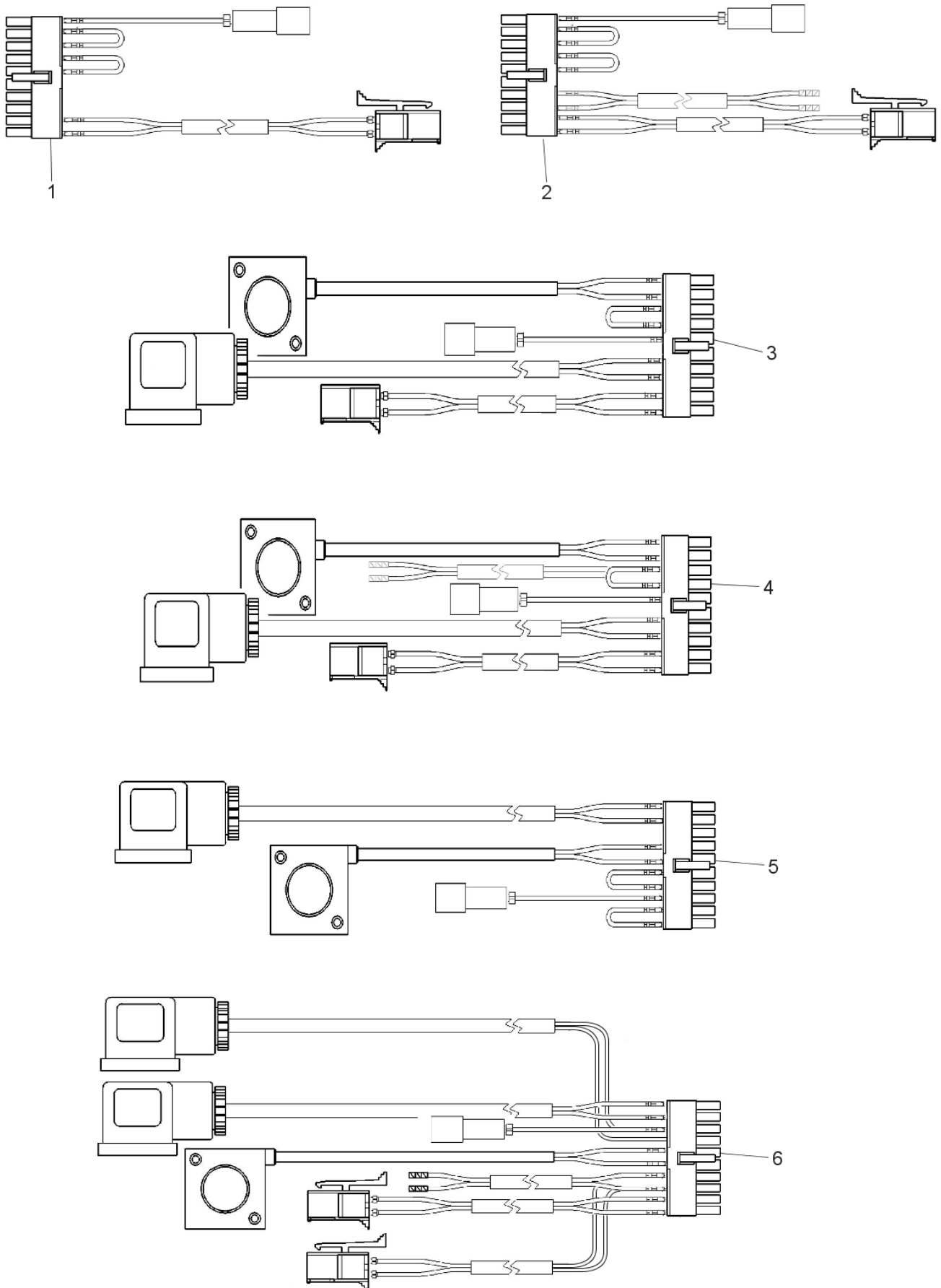


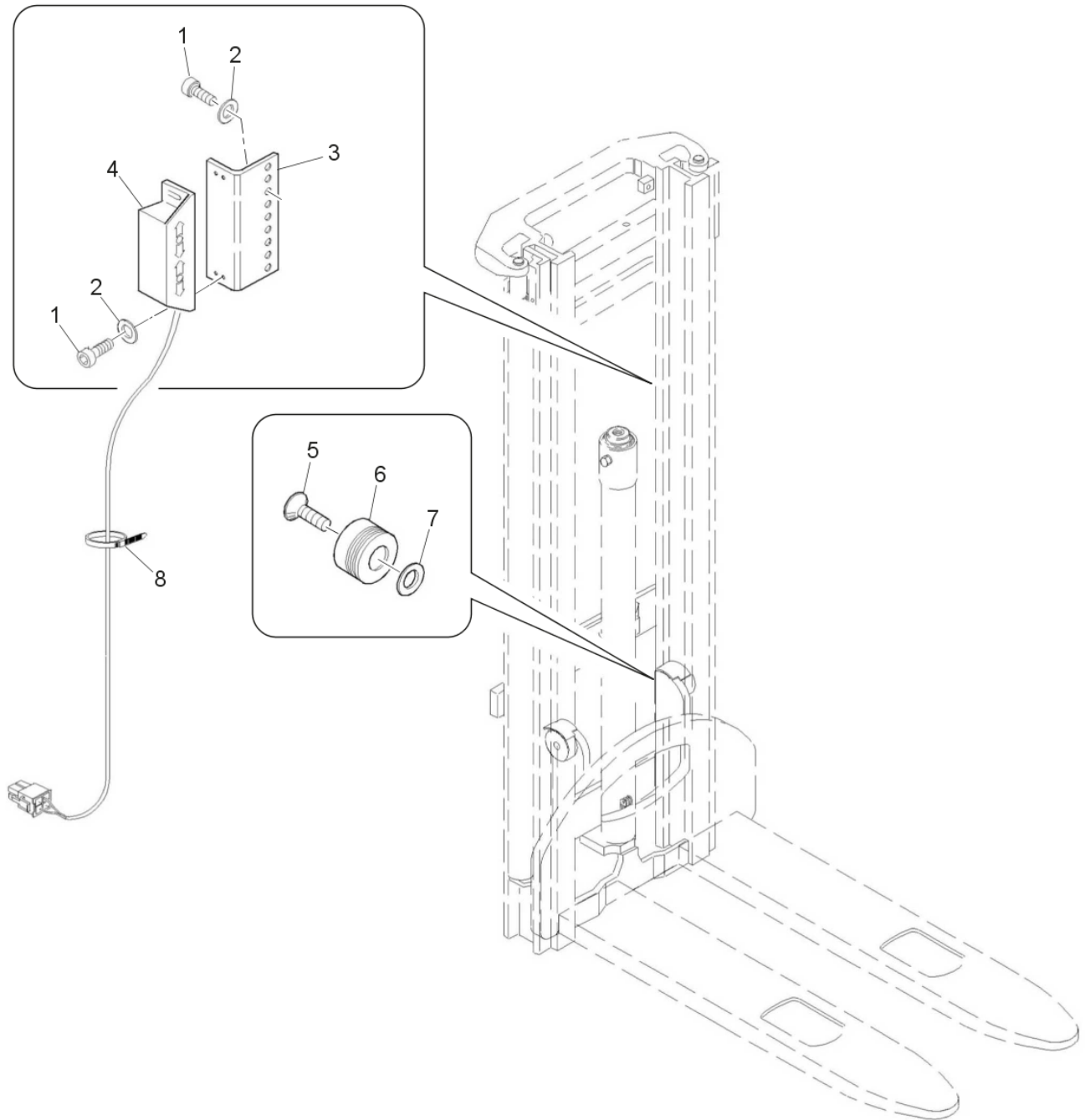


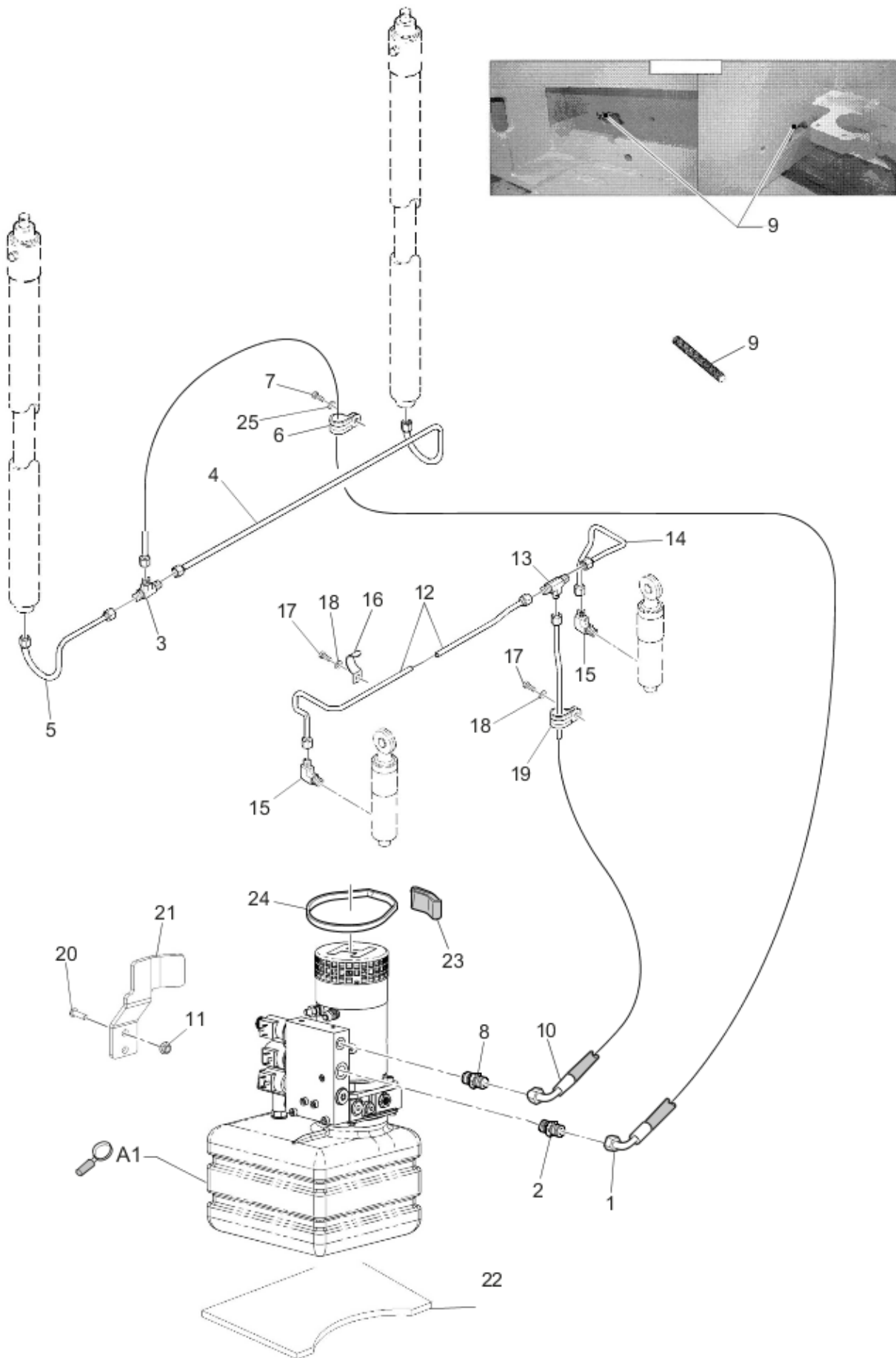


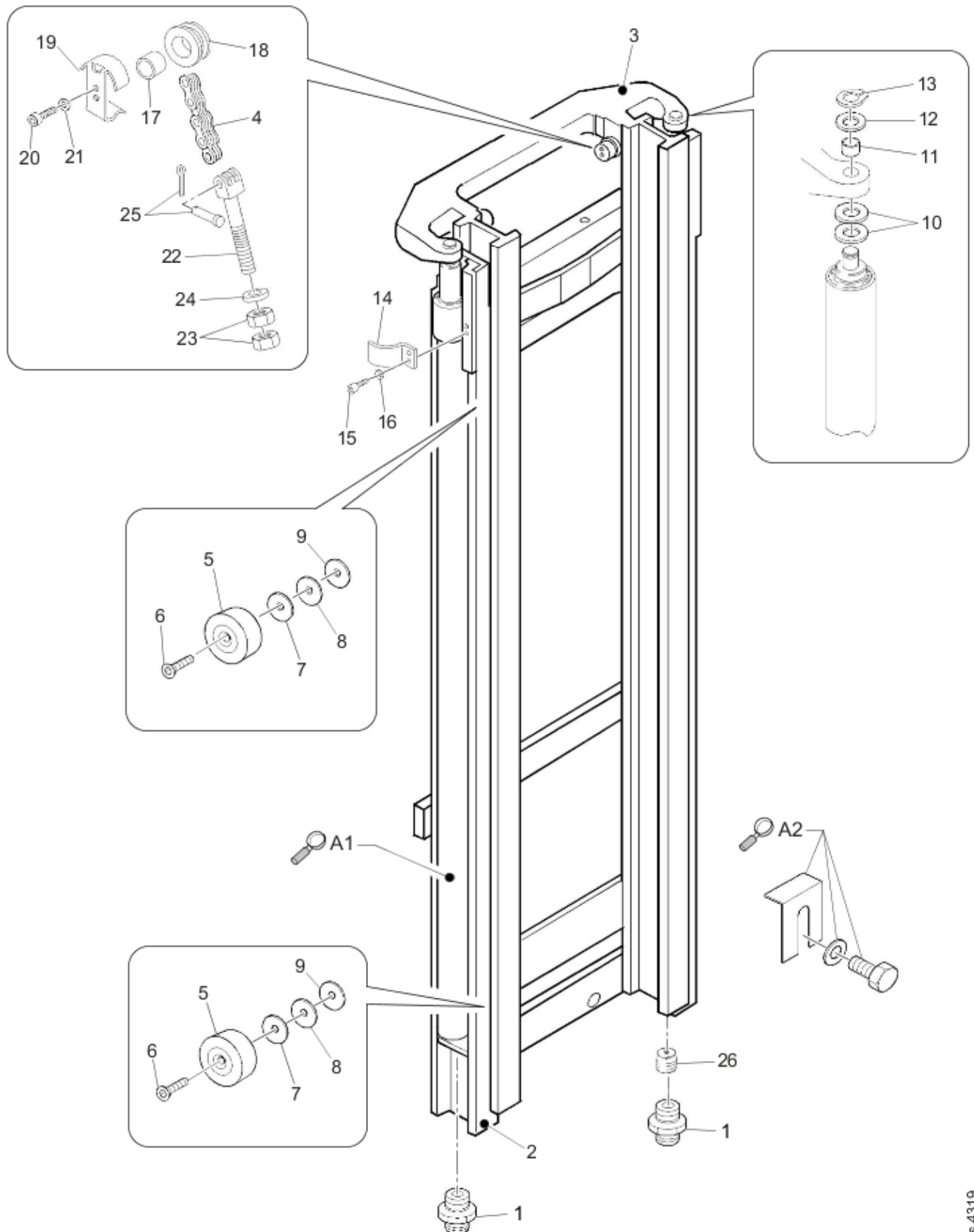












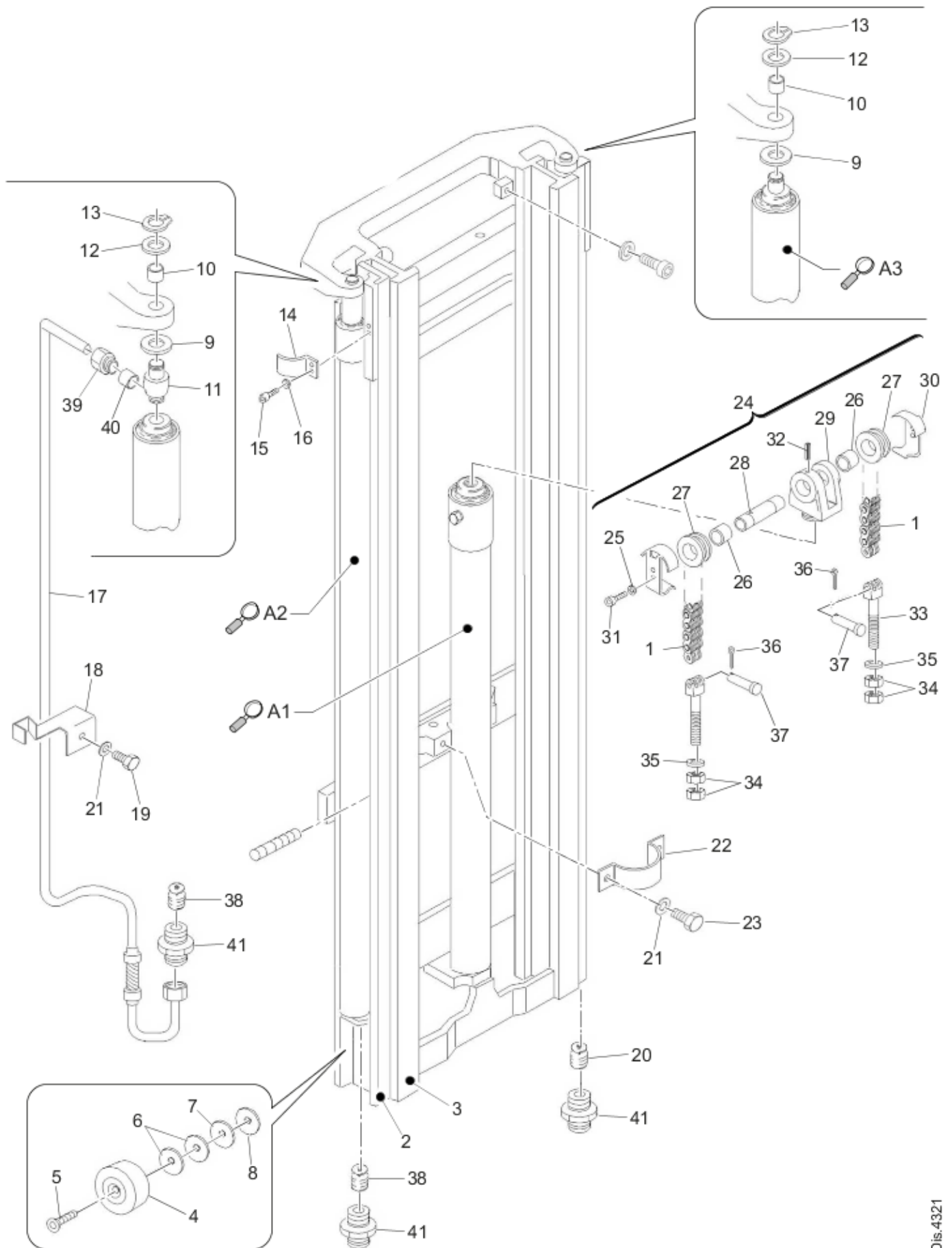
CLICK HERE TO **DOWNLOAD** THE COMPLETE MANUAL

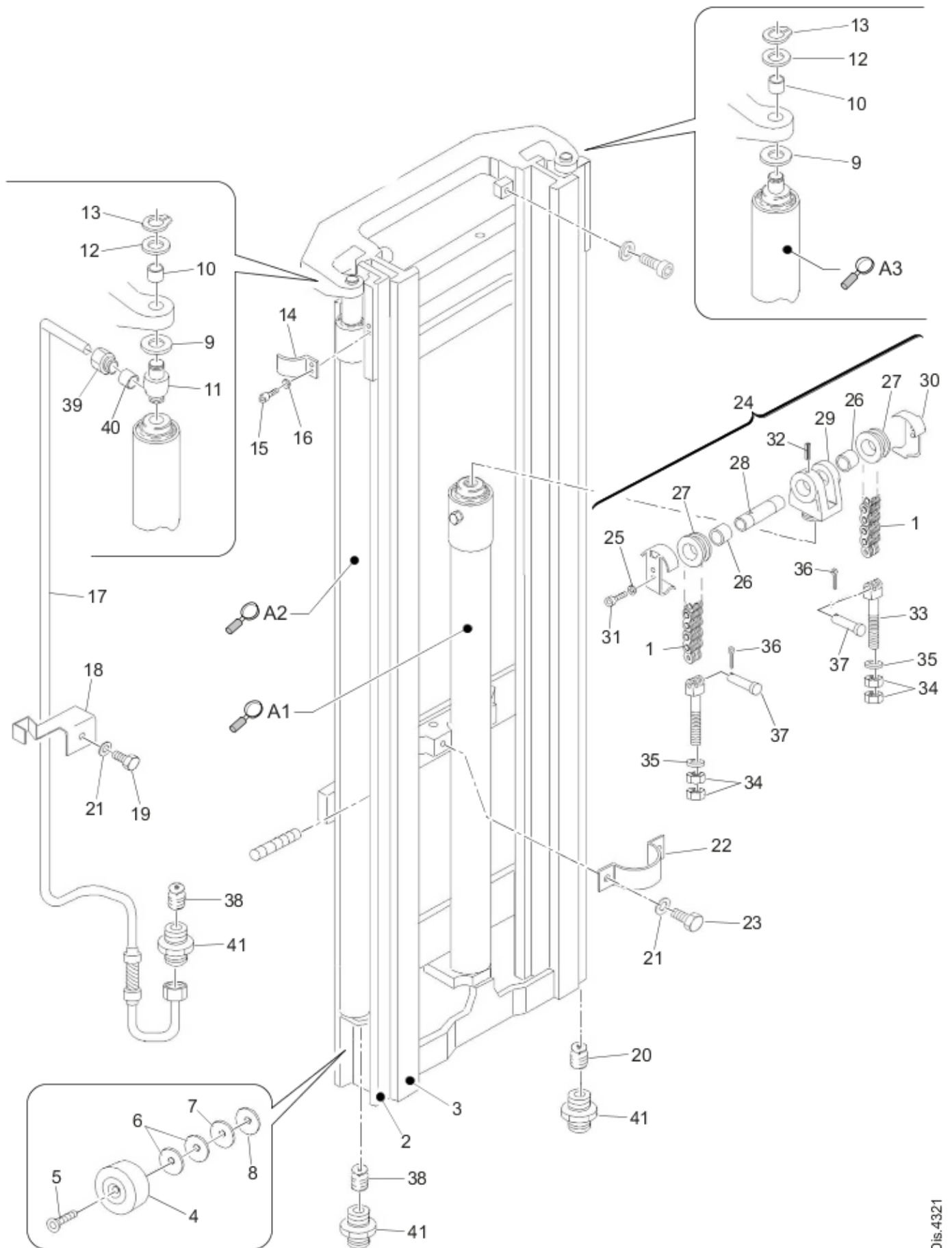
- Thank you very much for reading the preview of the manual.
- You can download the complete manual from: www.heydownloads.com by clicking the link below

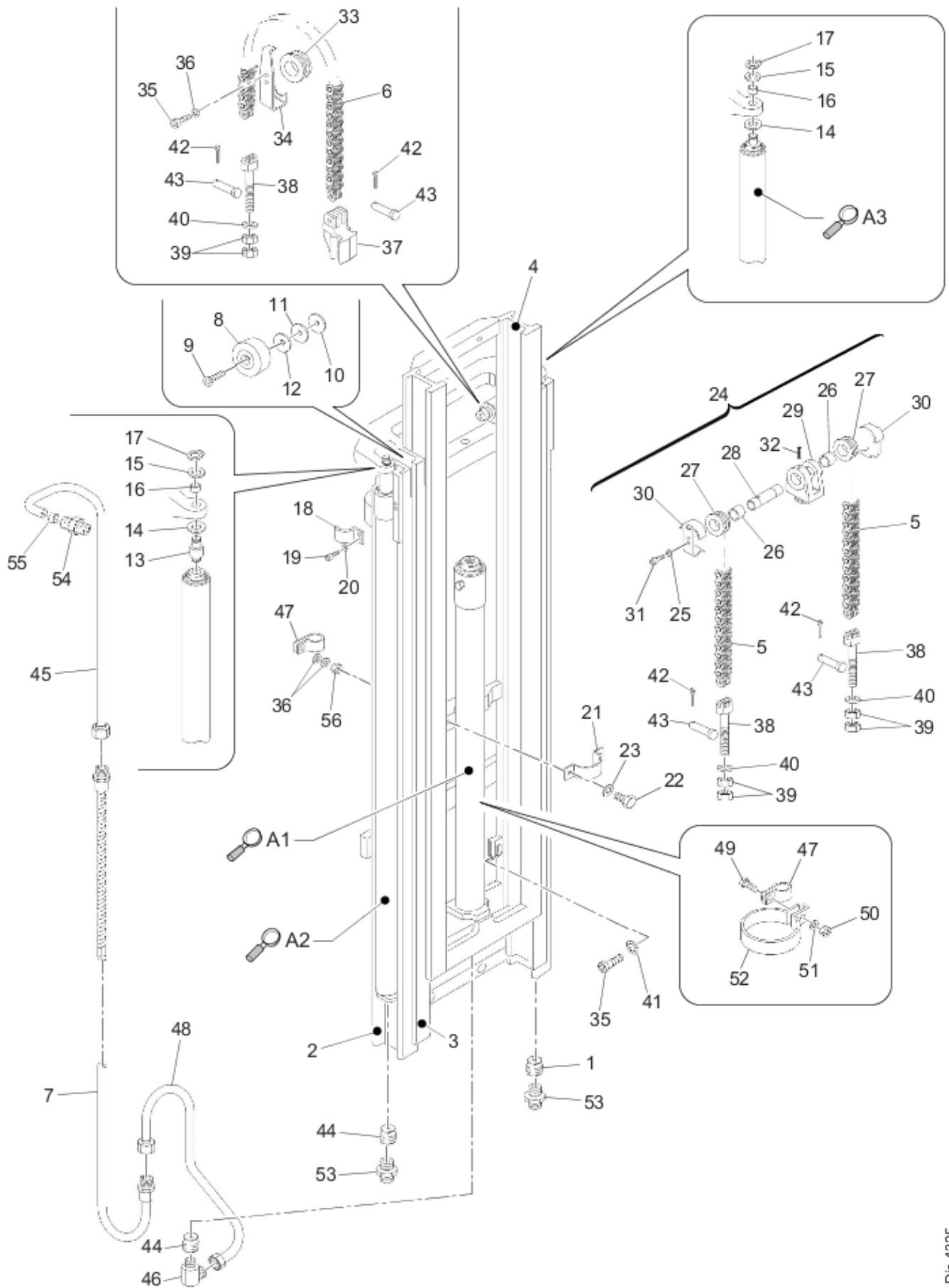


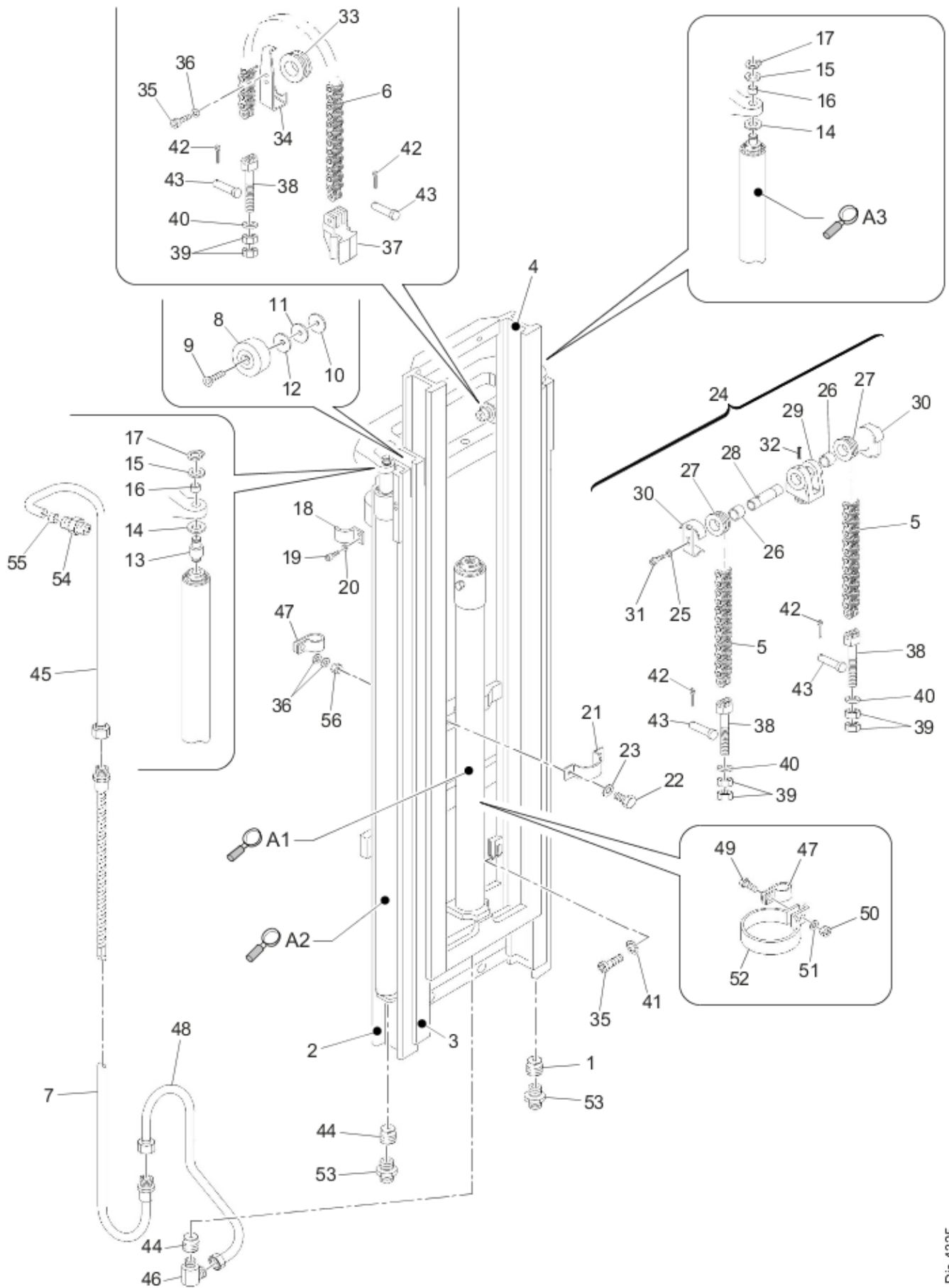
- Please note: If there is no response to CLICKING the link, please download this PDF first and then click on it.

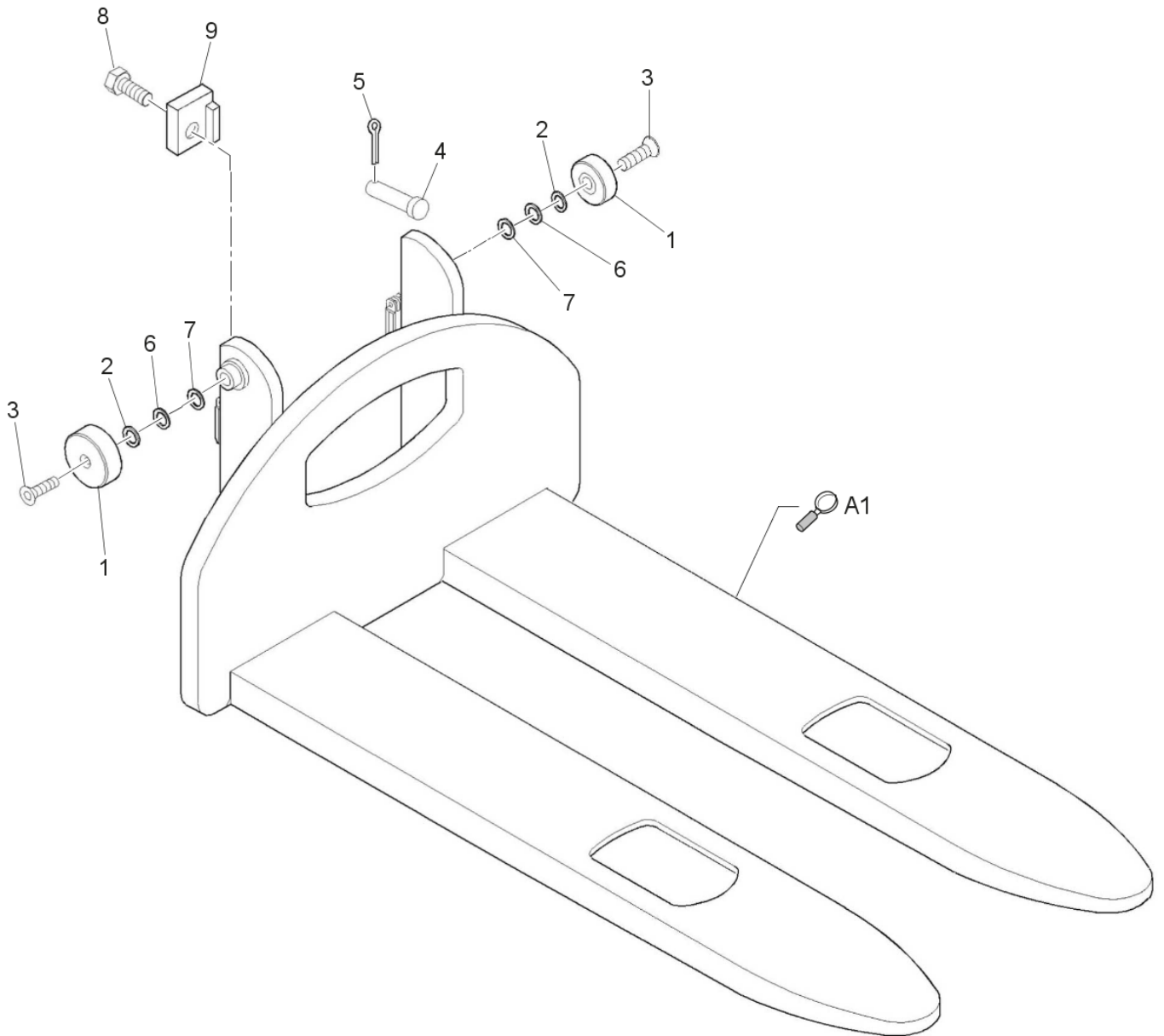
CLICK HERE TO **DOWNLOAD** THE COMPLETE MANUAL

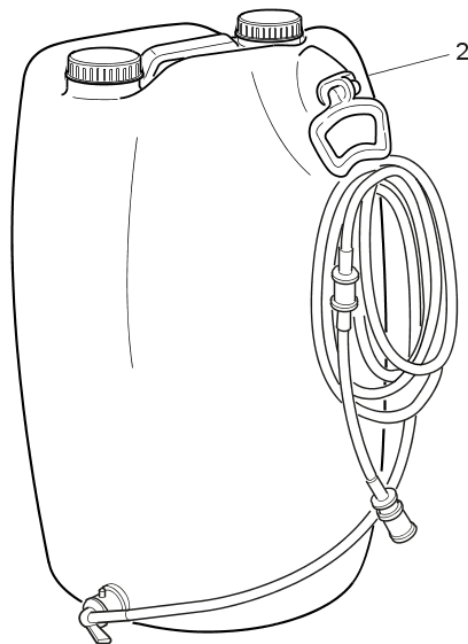
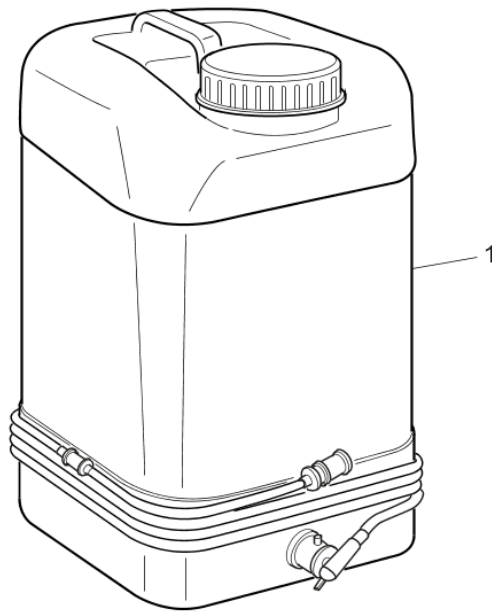


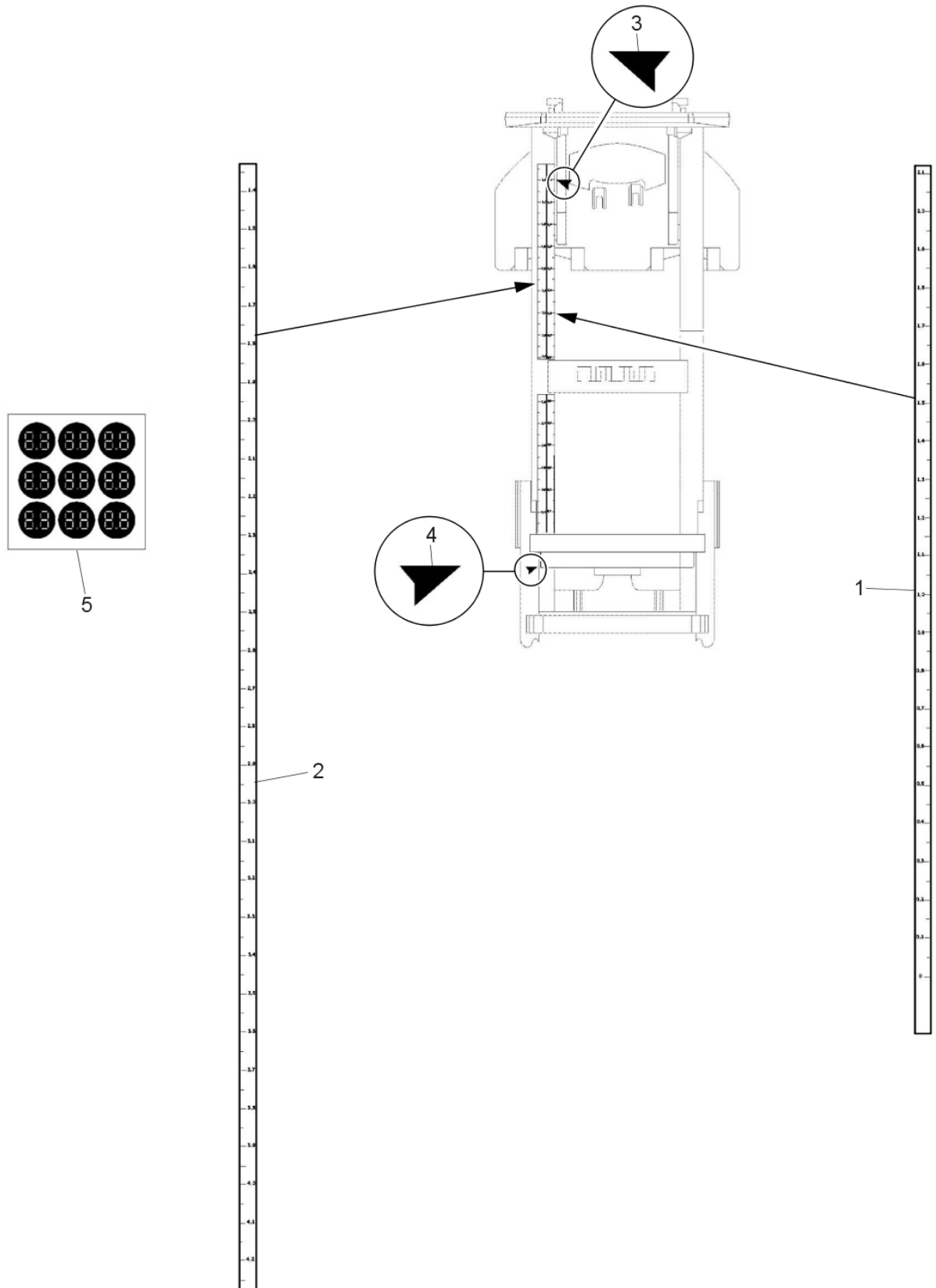


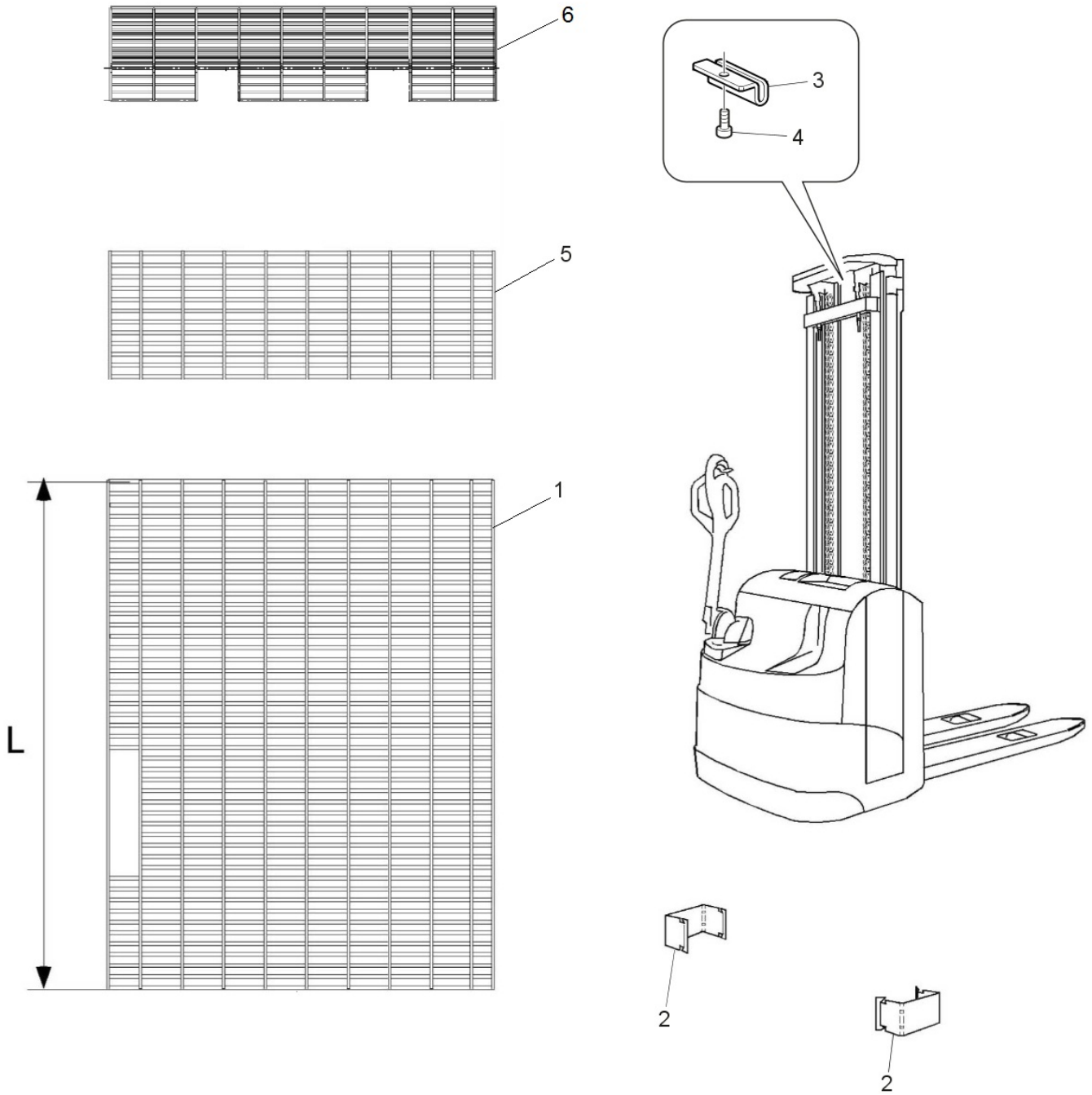


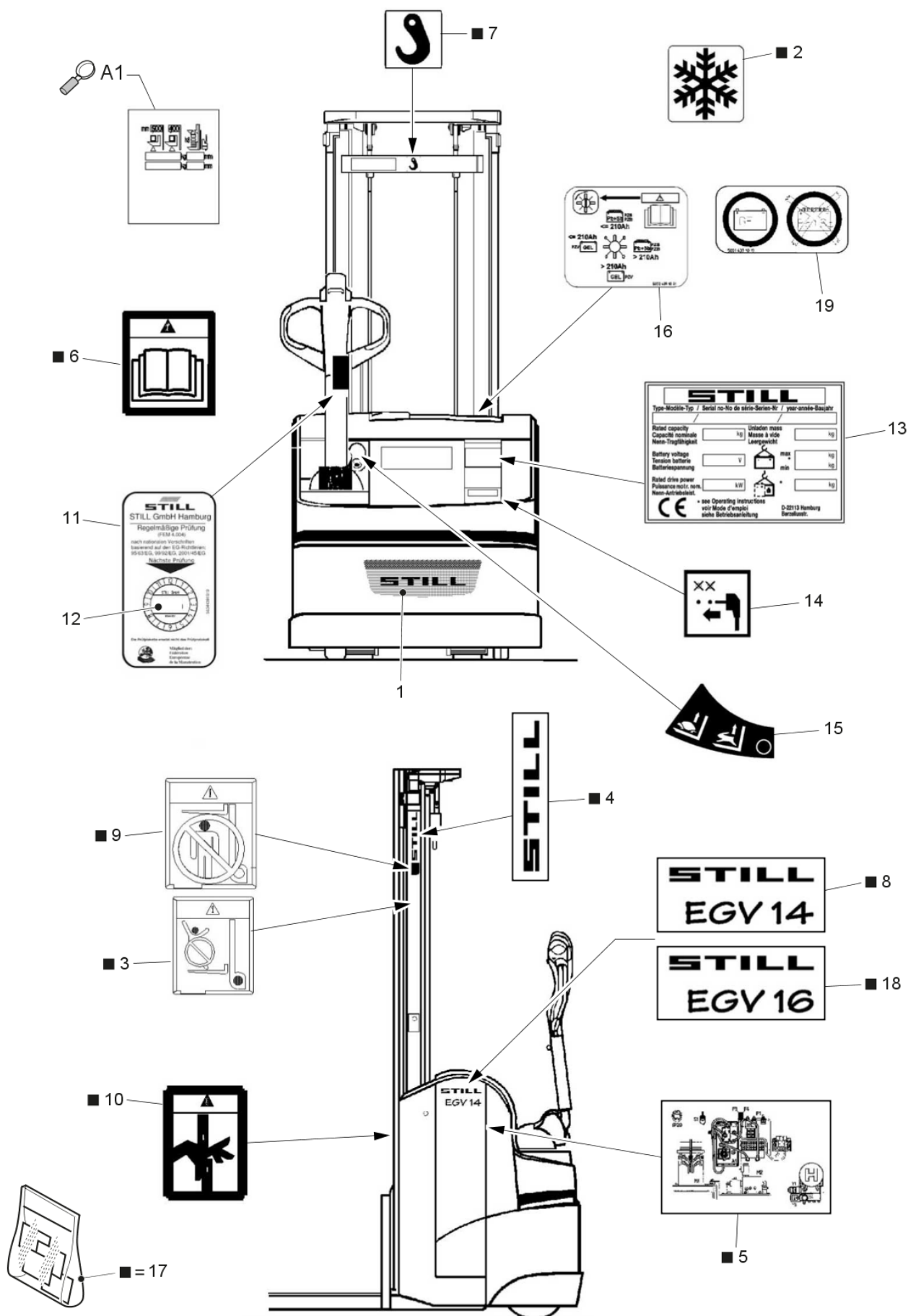












0009053906	Page:	64, 66, 68, 88, 92
0009070114	Page:	158
0009070402	Page:	100, 160
0009071402	Page:	18
0009072806	Page:	184
0009075020	Page:	126, 156
0009124057	Page:	124, 134, 138, 142, 146, 150, 154, 164, 168, 172, 182, 184, 186
0009128906	Page:	18
0009147009	Page:	16, 38, 64, 196, 198
0009159016	Page:	158
0009314058	Page:	212
0009384196	Page:	222, 224
0009384502	Page:	222, 224, 226, 228
0009442491	Page:	152, 162, 166, 170
0009443033	Page:	90, 94
0009447407	Page:	98, 104, 106, 108, 110, 112, 114, 116, 118, 120, 122, 132, 136, 140, 144, 148
0009447412	Page:	124, 134, 138, 142, 146, 150, 154, 164, 168, 172
0009524086	Page:	90, 94
0009550242	Page:	152, 162, 166, 170
0009552088	Page:	66
0009632136	Page:	90, 94
0009632333	Page:	128, 130
0009730423	Page:	66
0009822805	Page:	90, 94
0009933660	Page:	154, 164, 168, 172
0039460717	Page:	60
0155853	Page:	64
0157576	Page:	102
0160872	Page:	128, 130
0160873	Page:	158, 160
0170208	Page:	6
0170209	Page:	6,
0170210	Page:	6
0170211	Page:	6
0170212	Page:	6
0170213	Page:	6
0170214	Page:	6
0170215	Page:	6
0170216	Page:	6
0170217	Page:	6
0170218	Page:	6
0170219	Page:	6
0170220	Page:	6
0170222	Page:	6

4498216	Page:	132
4498217	Page:	122
4498272	Page:	148
4498273	Page:	144
4498274	Page:	140
4498275	Page:	136
4498329	Page:	154, 164, 168, 172
4498345	Page:	124, 134, 138, 142, 146, 150, 154, 164, 168, 172
4498356	Page:	120
4498357	Page:	104
4498397	Page:	112
4498398	Page:	108, 162
4498455	Page:	88
4498478	Page:	44, 46
4499003	Page:	208, 210
4499027	Page:	28, 32
4499129	Page:	42
4499130	Page:	42
4499131	Page:	42
4499138	Page:	68
4499155	Page:	64
4499208	Page:	60
4499209	Page:	60
4499443	Page:	188
4499450	Page:	42
4499575	Page:	88, 92
4499576	Page:	88, 92
4499612	Page:	64
4499725	Page:	206
4499731	Page:	28, 32
4499765	Page:	12
4499766	Page:	12
4499770	Page:	30
4499771	Page:	30
4499772	Page:	30
4499773	Page:	30
4499774	Page:	30
4499775	Page:	30
4499776	Page:	30
4499809	Page:	30
4499842	Page:	98, 104, 106, 108, 110, 112, 114, 116, 118, 120, 154, 164, 168, 172
4499854	Page:	212
4499855	Page:	30
4499896	Page:	12
4499907	Page:	90, 94

CLICK HERE TO **DOWNLOAD** THE COMPLETE MANUAL

- Thank you very much for reading the preview of the manual.
- You can download the complete manual from: www.heydownloads.com by clicking the link below



- Please note: If there is no response to CLICKING the link, please download this PDF first and then click on it.

CLICK HERE TO **DOWNLOAD** THE COMPLETE MANUAL