



EGV 14 EGV 16

Mitgeh-Hochhubwagen
Walkle-high lift truck
Transpalette gerbeur à conducteur accompagnant
Carrello elevatore a forza grande alzata
Carretilla elevadora de gran alcance



Ersatz- teil- Liste	Spare Parts List	Catalogue de pièces détachées	Catalogo parti di ricambio	Catálogo de recambio
---------------------------	------------------------	-------------------------------------	----------------------------------	----------------------------

Ident-Nr. 4 497 710 - 06.06

71 0244 71 0246



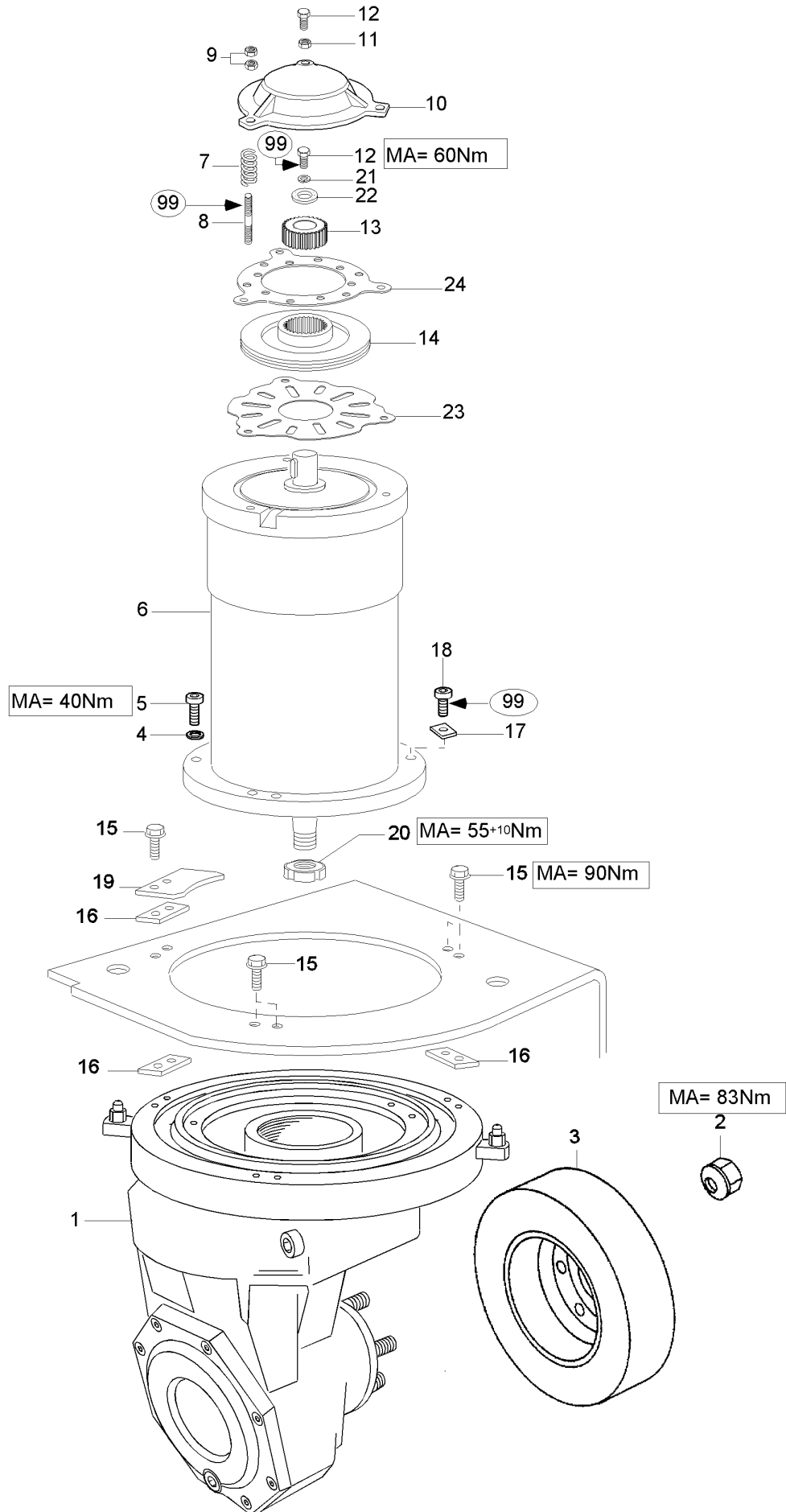
CLICK HERE TO **DOWNLOAD** THE COMPLETE MANUAL

- Thank you very much for reading the preview of the manual.
- You can download the complete manual from: www.heydownloads.com by clicking the link below

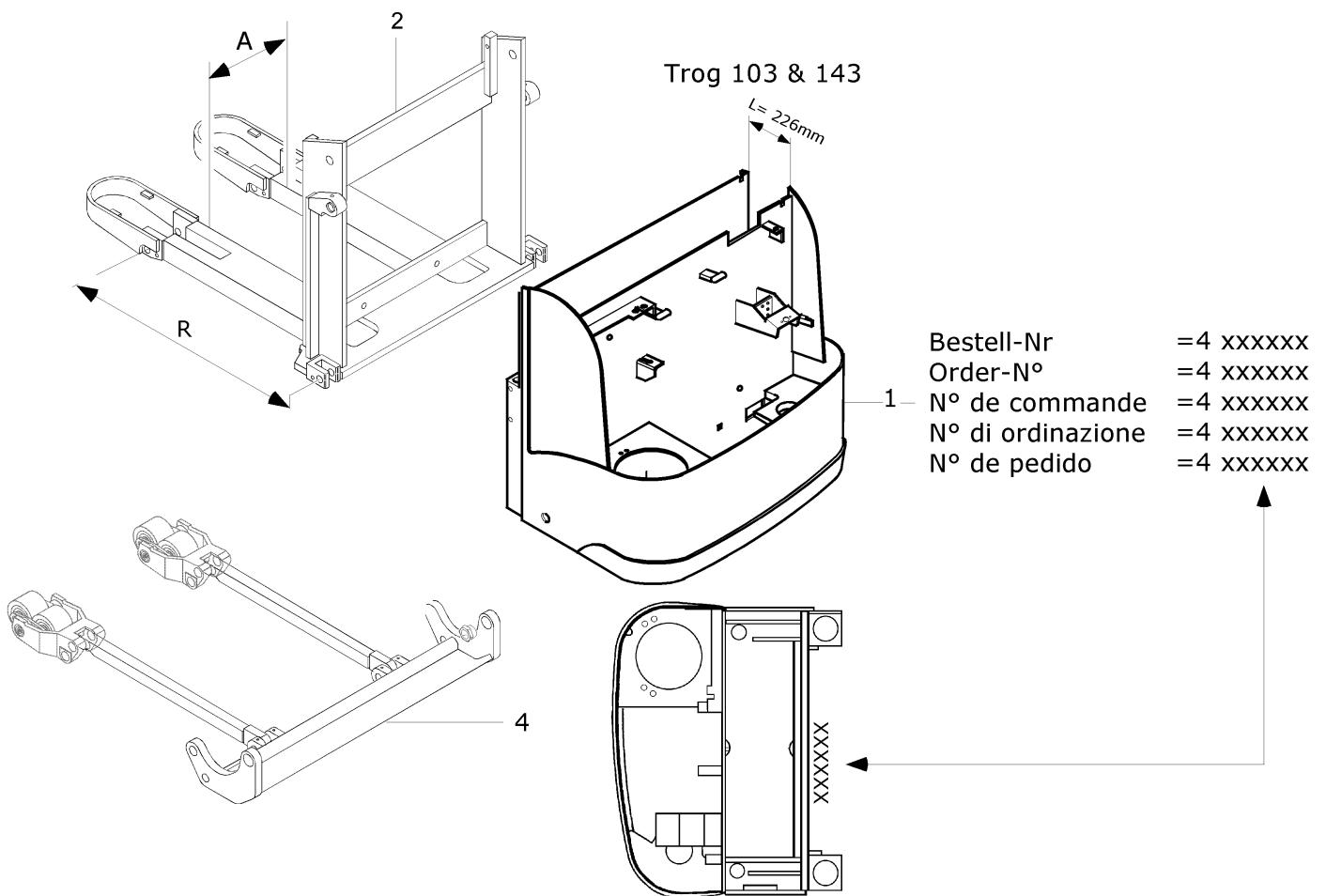


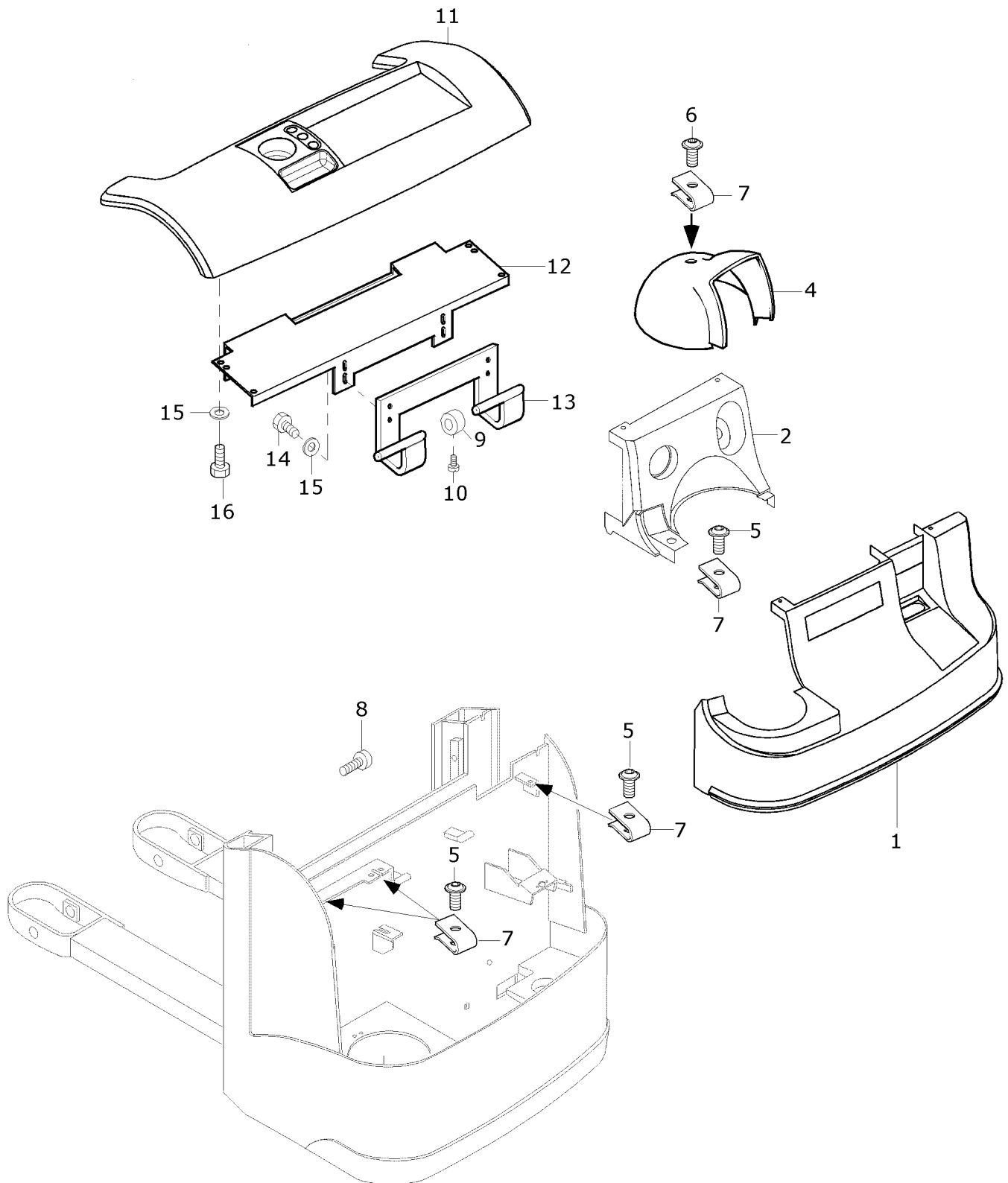
- Please note: If there is no response to CLICKING the link, please download this PDF first and then click on it.

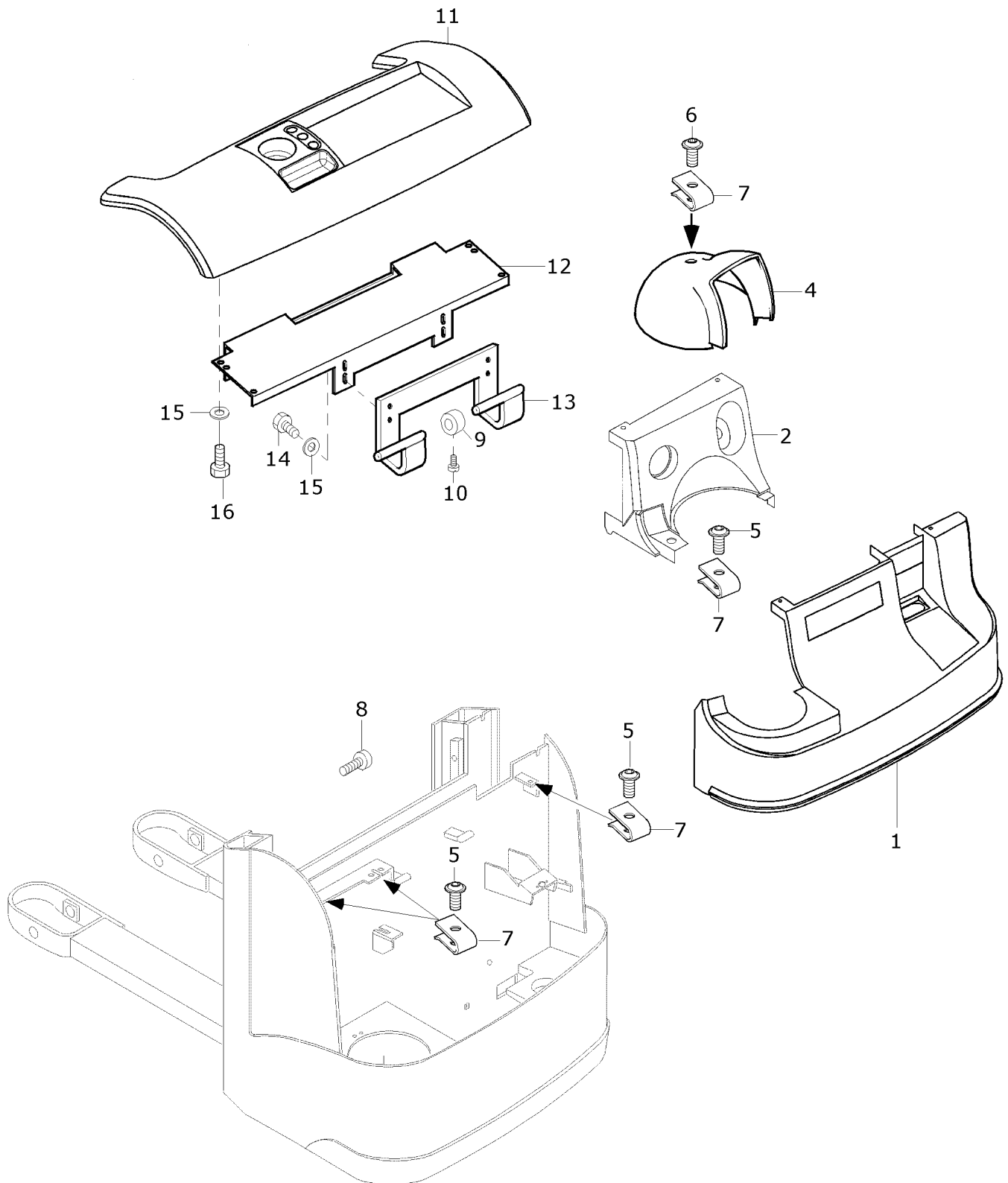
CLICK HERE TO **DOWNLOAD** THE COMPLETE MANUAL

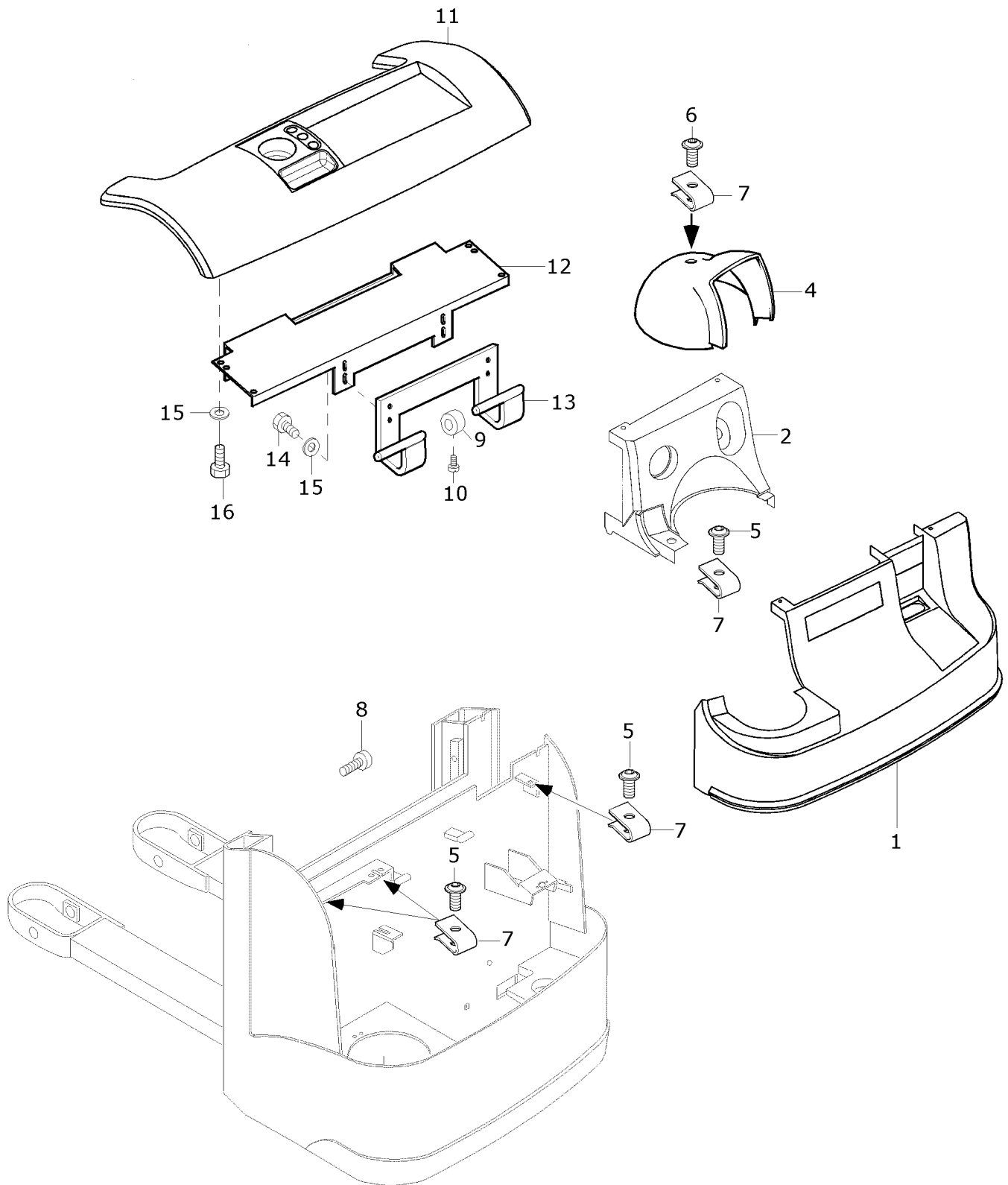


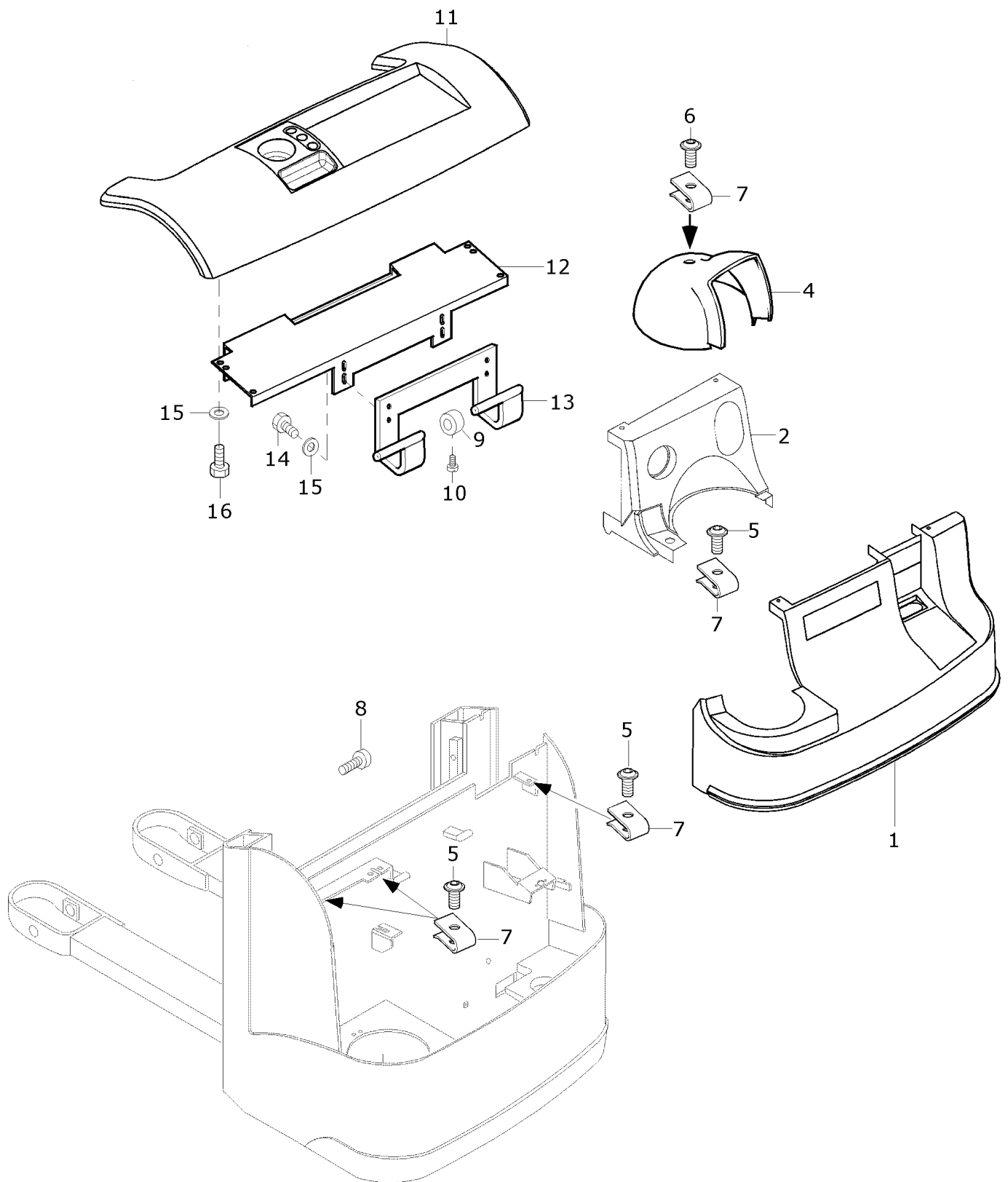
Levée de base--Basishub--Base lift

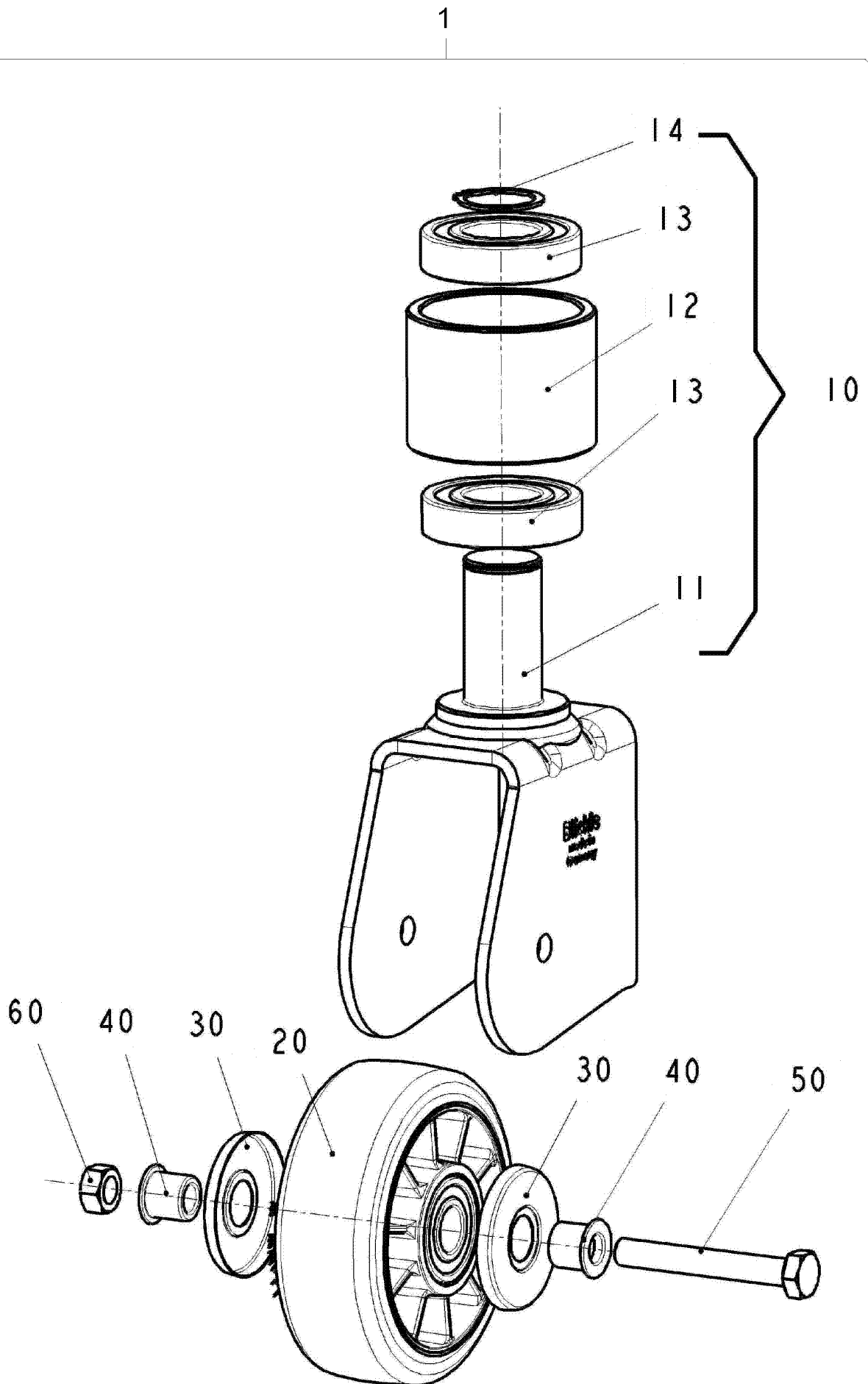




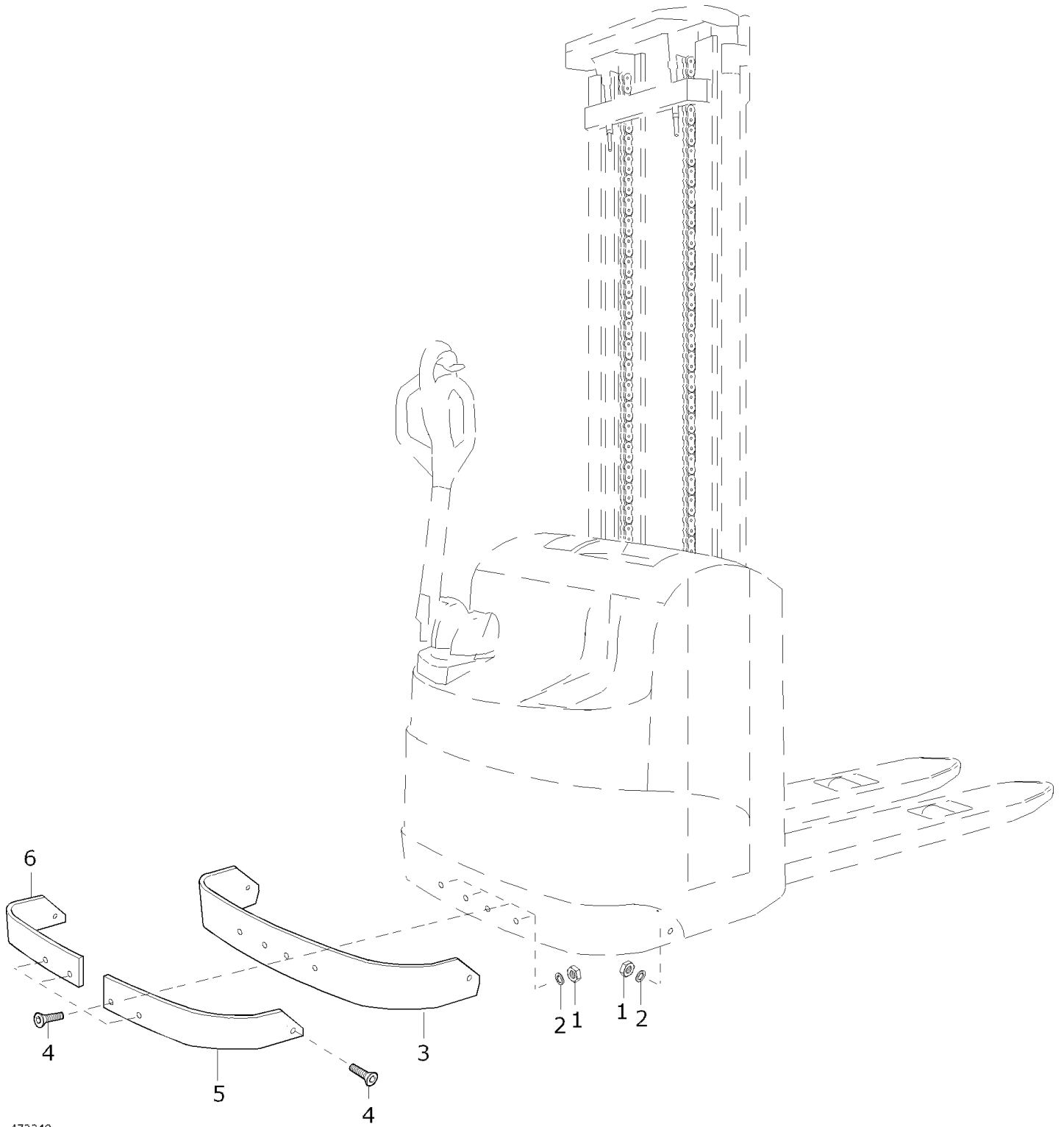


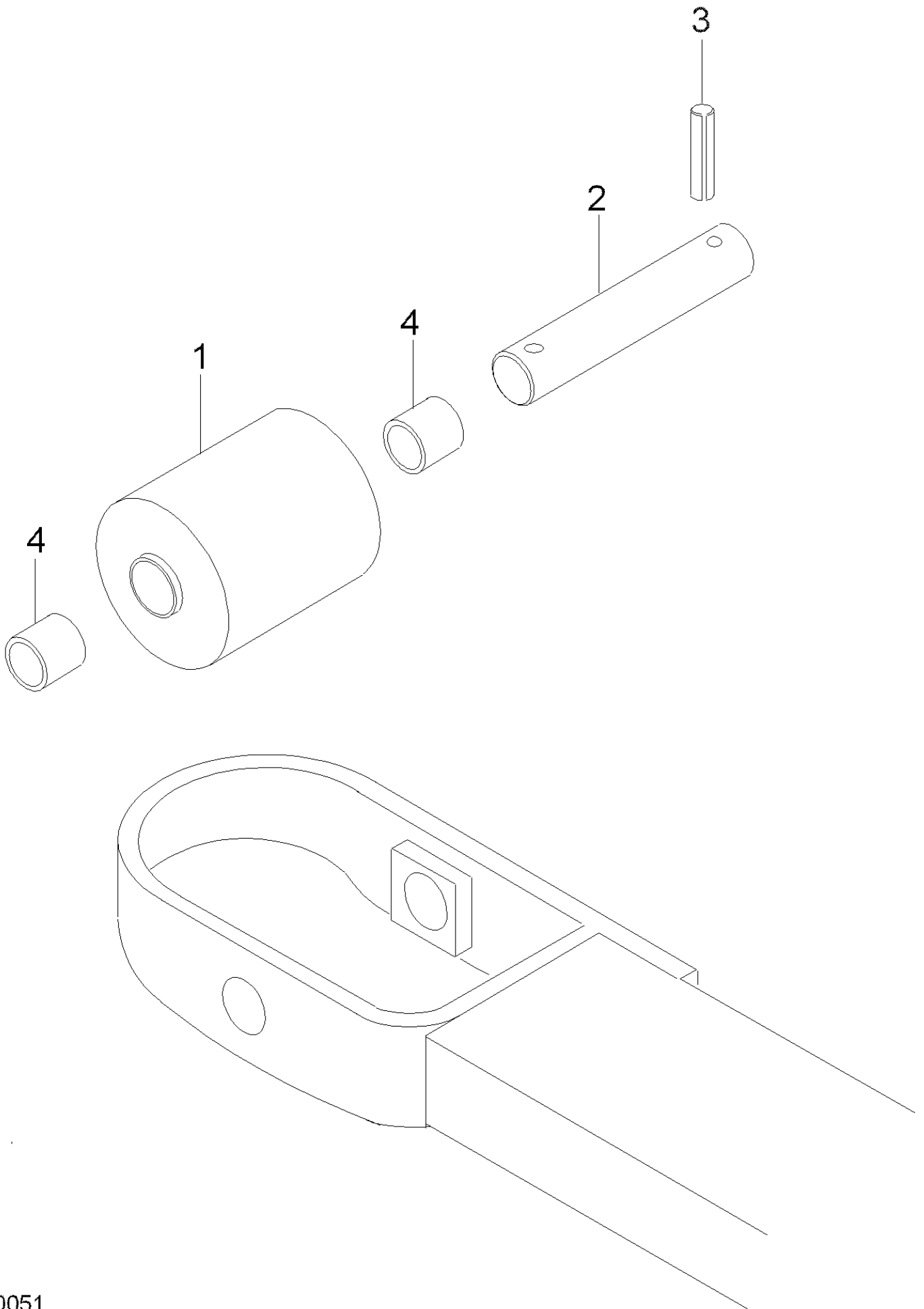




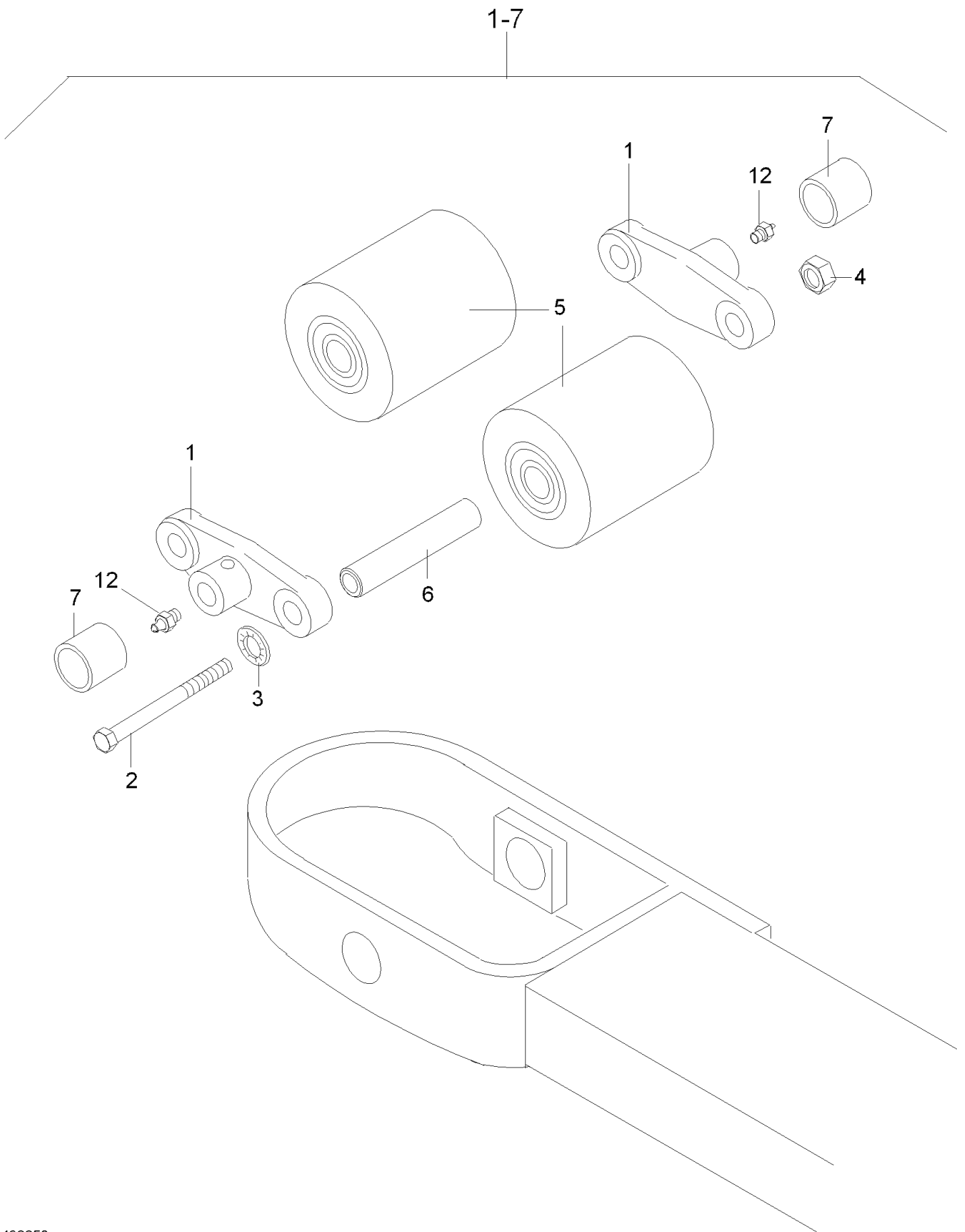


50024505507

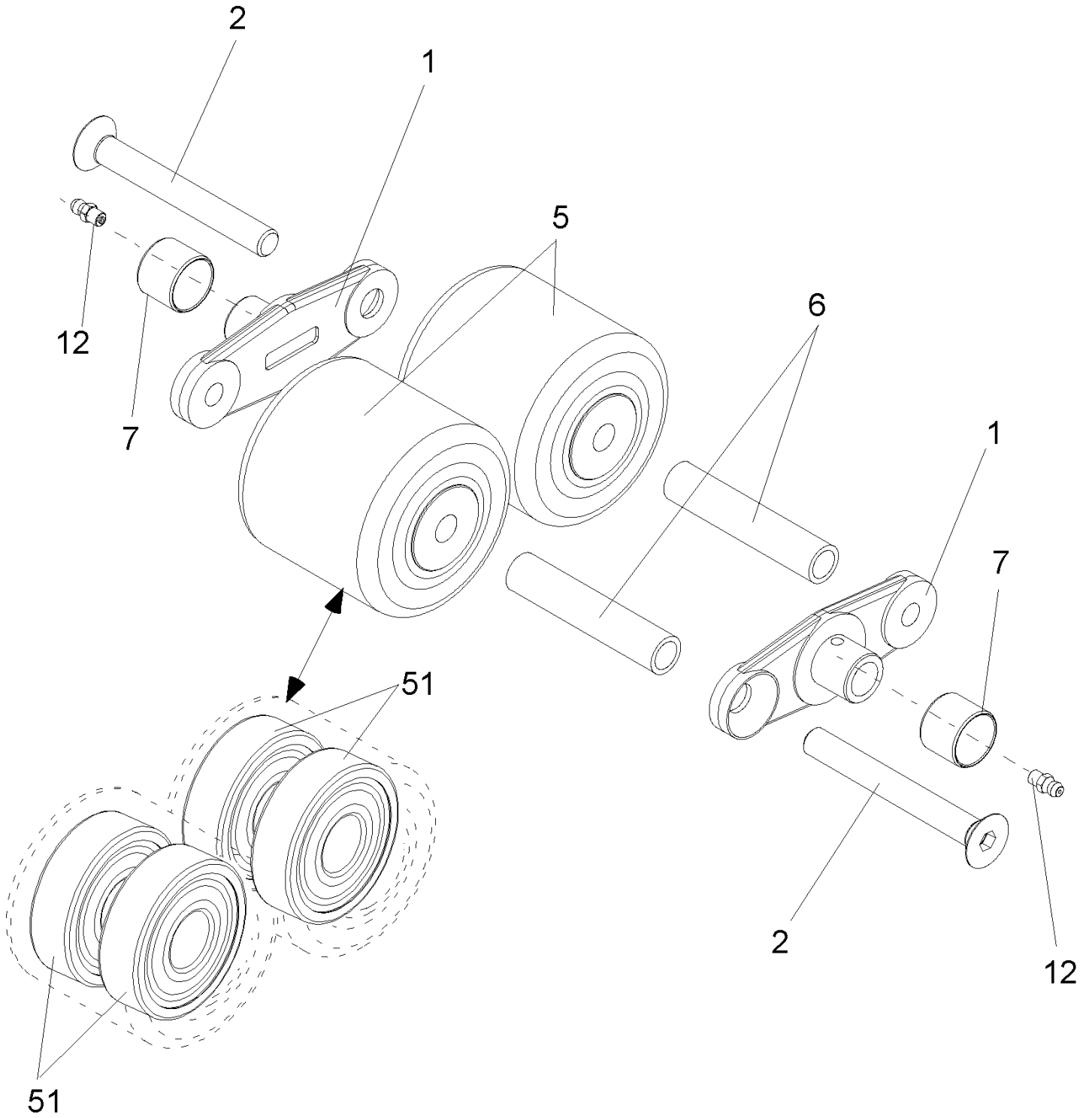


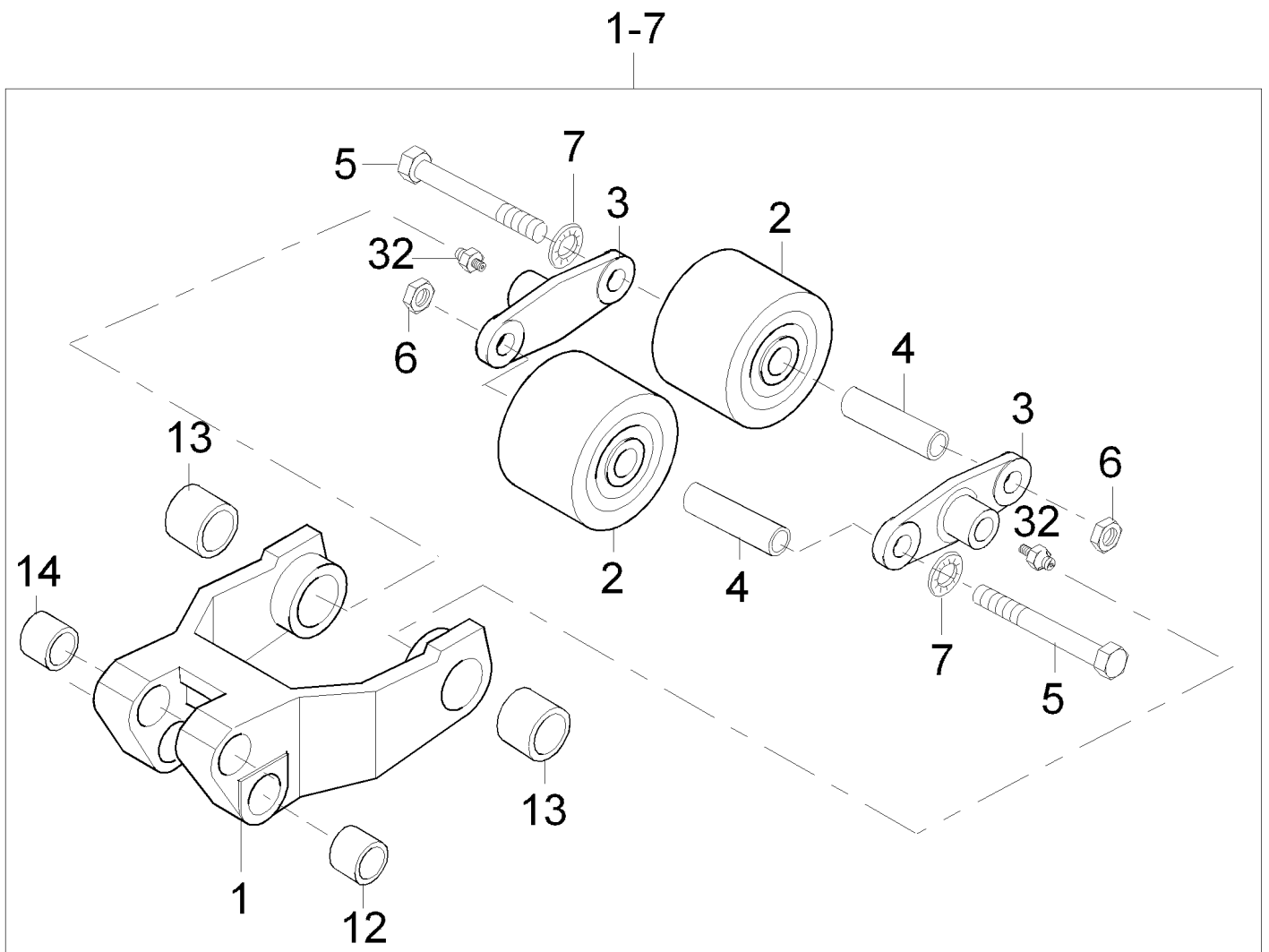


490051

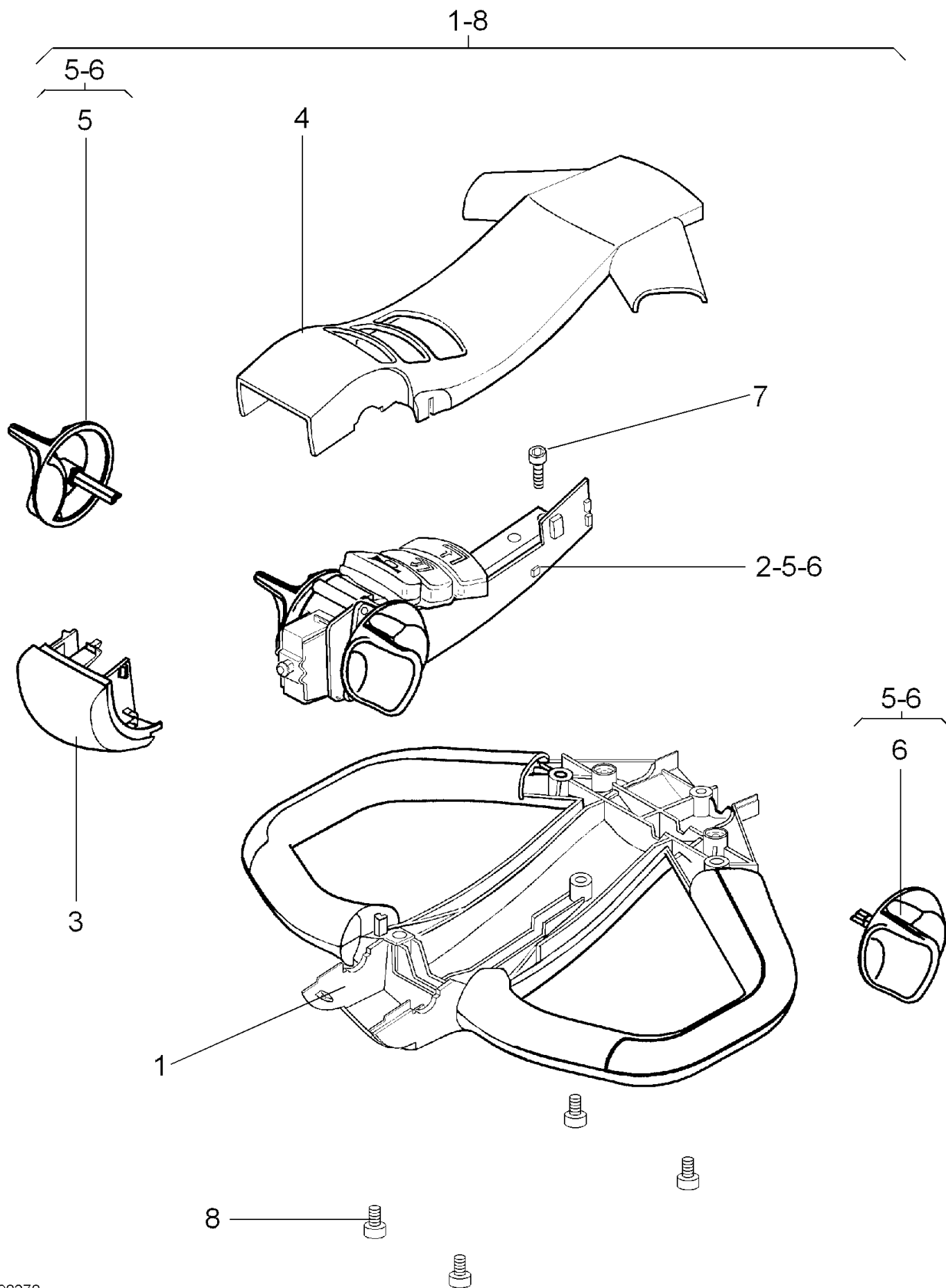


490052

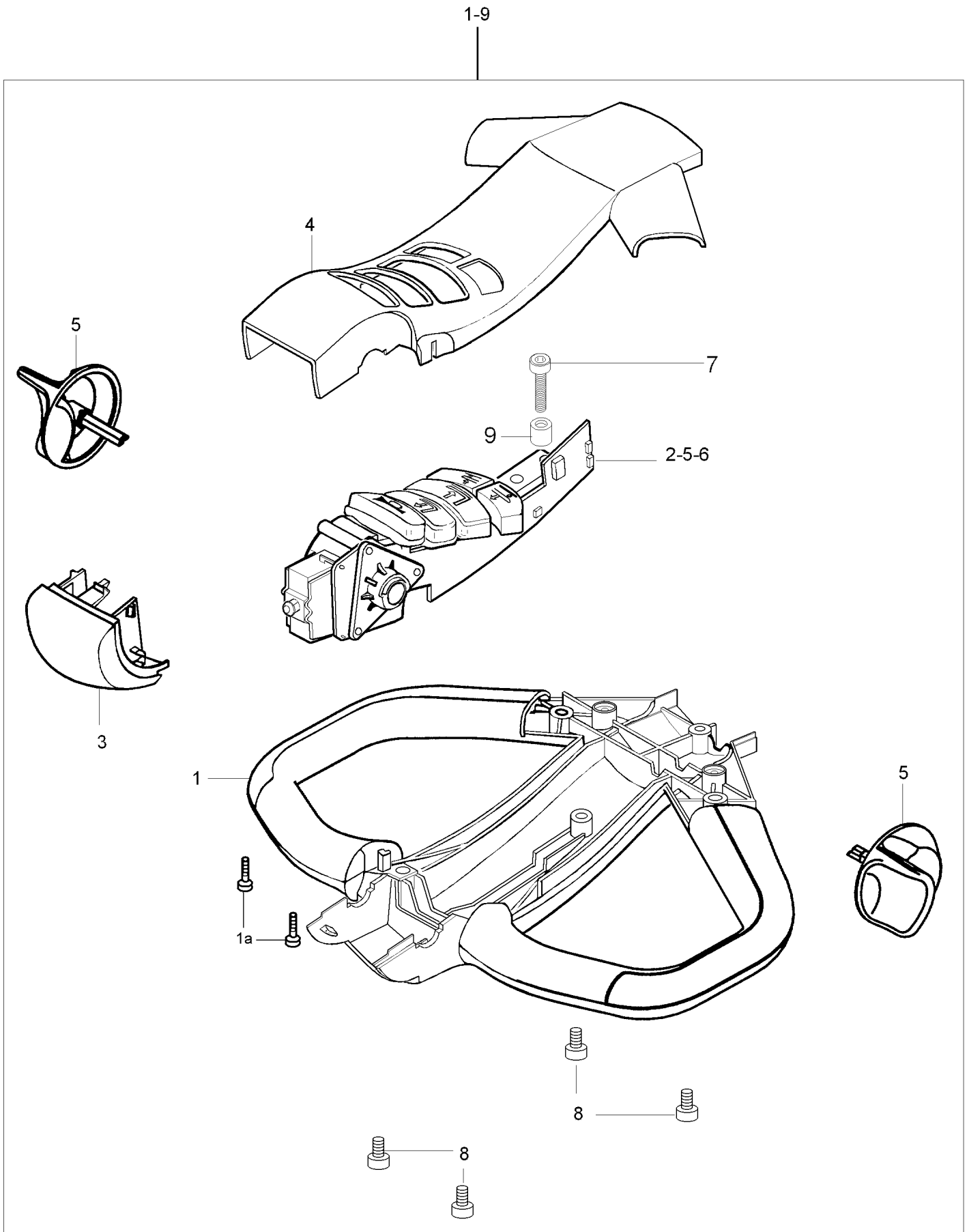




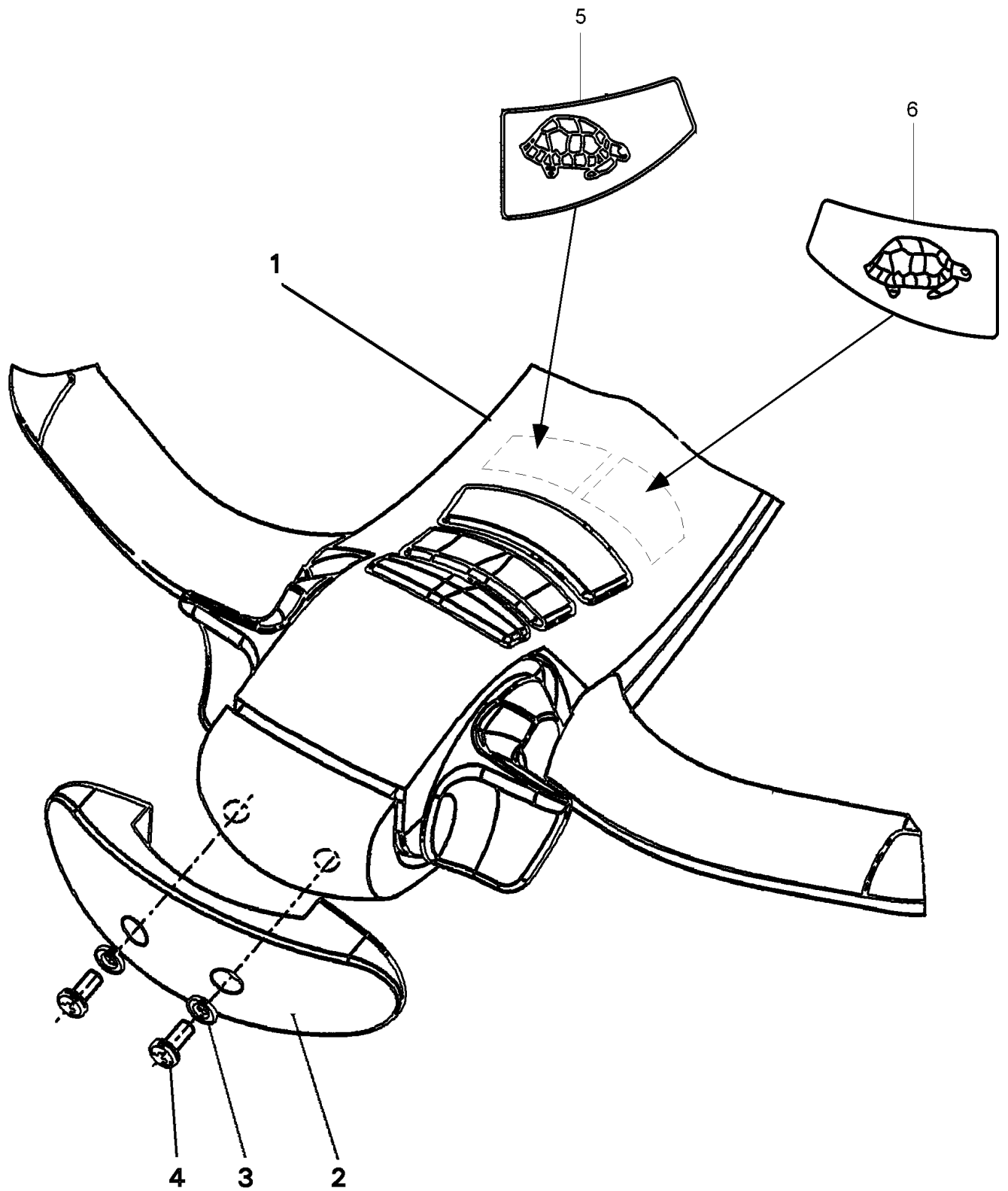
490480



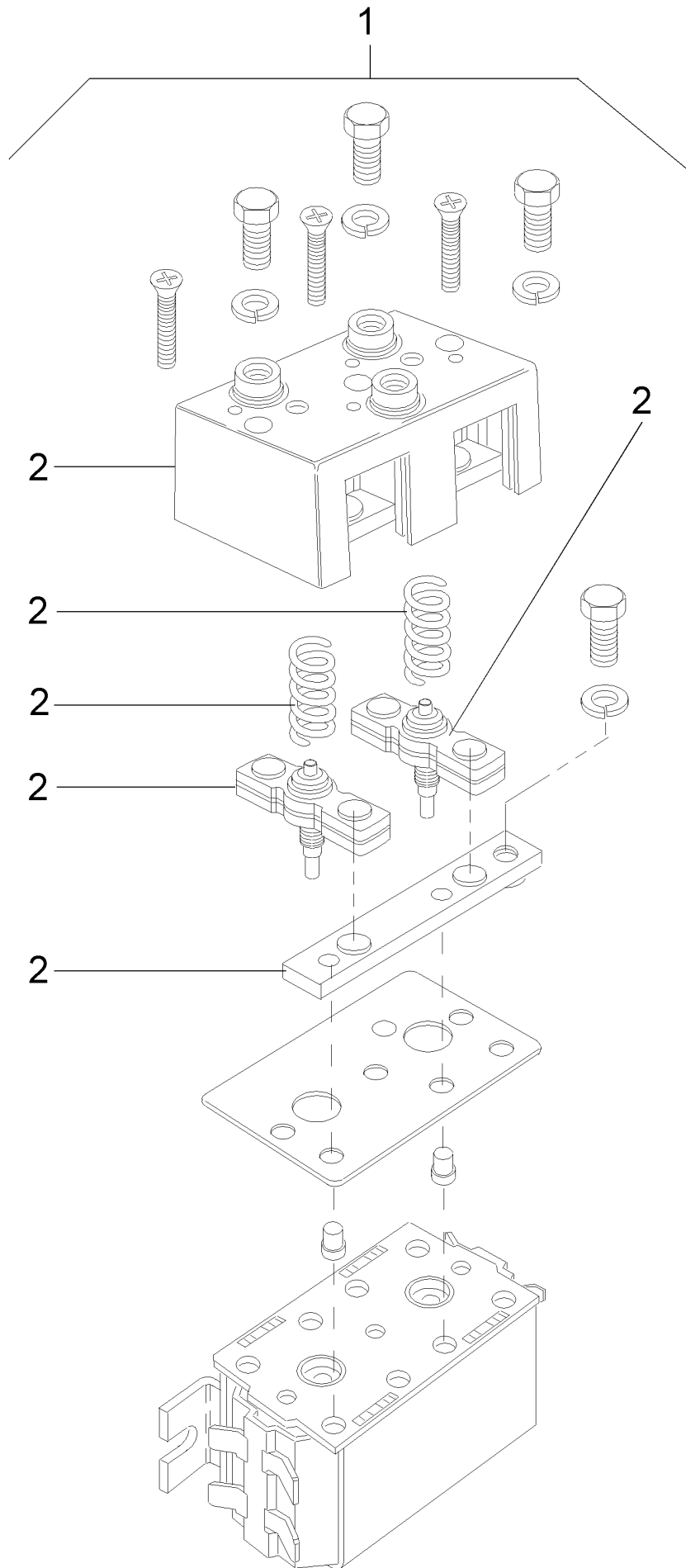
490270

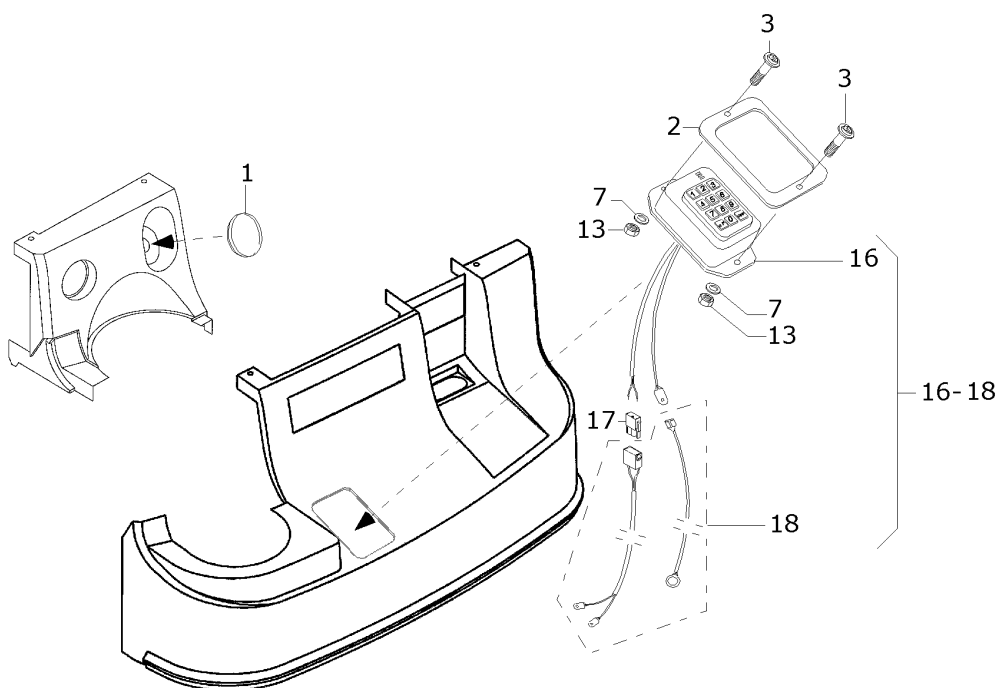
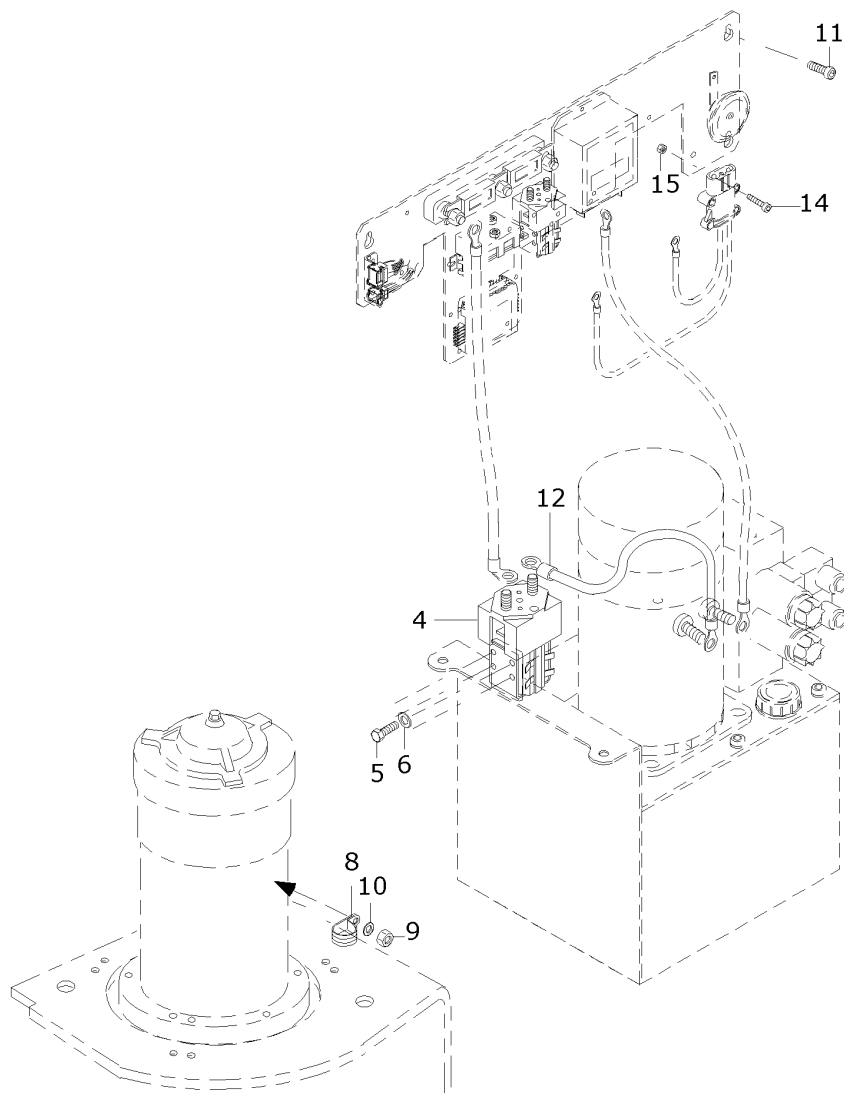


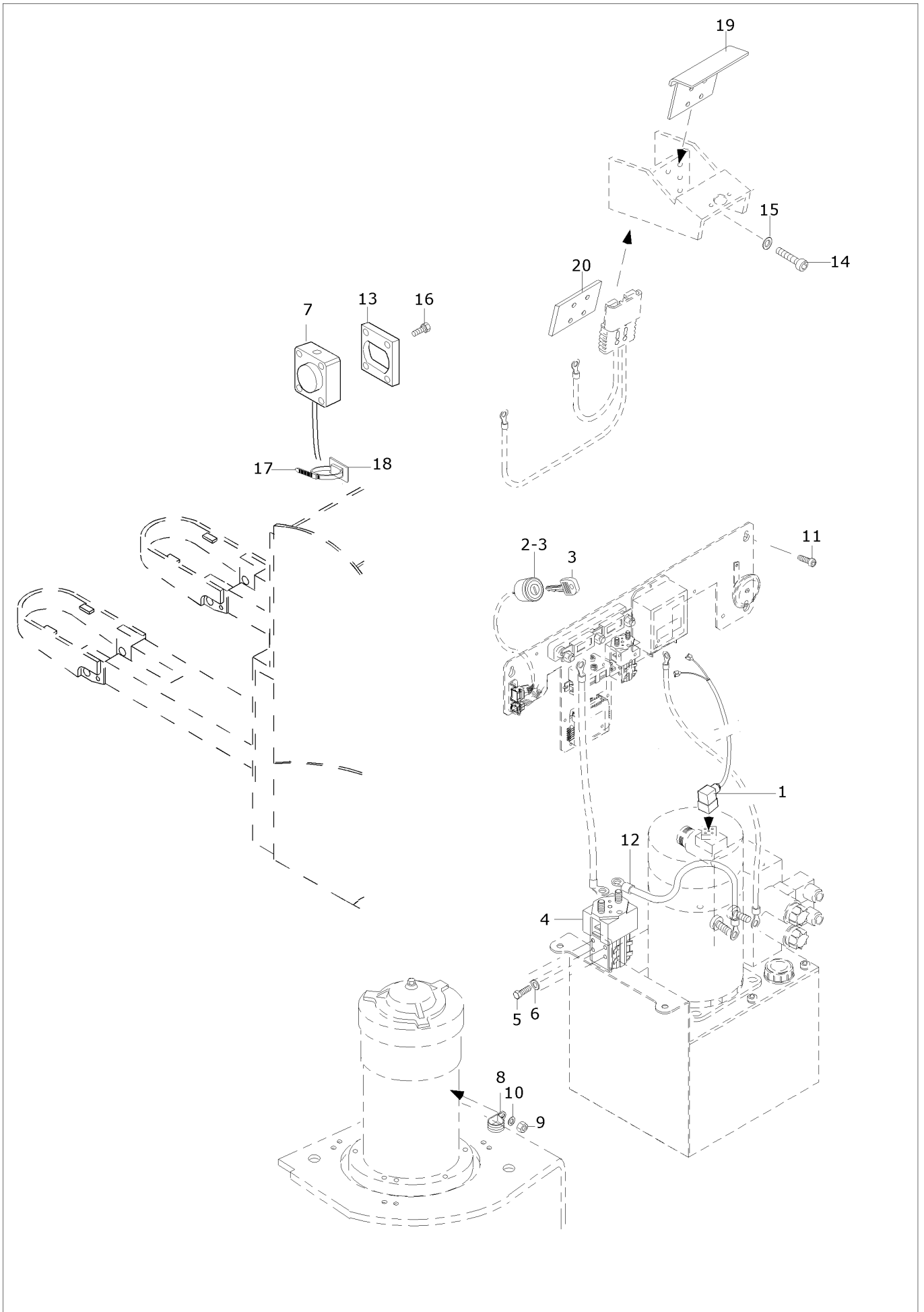
479049

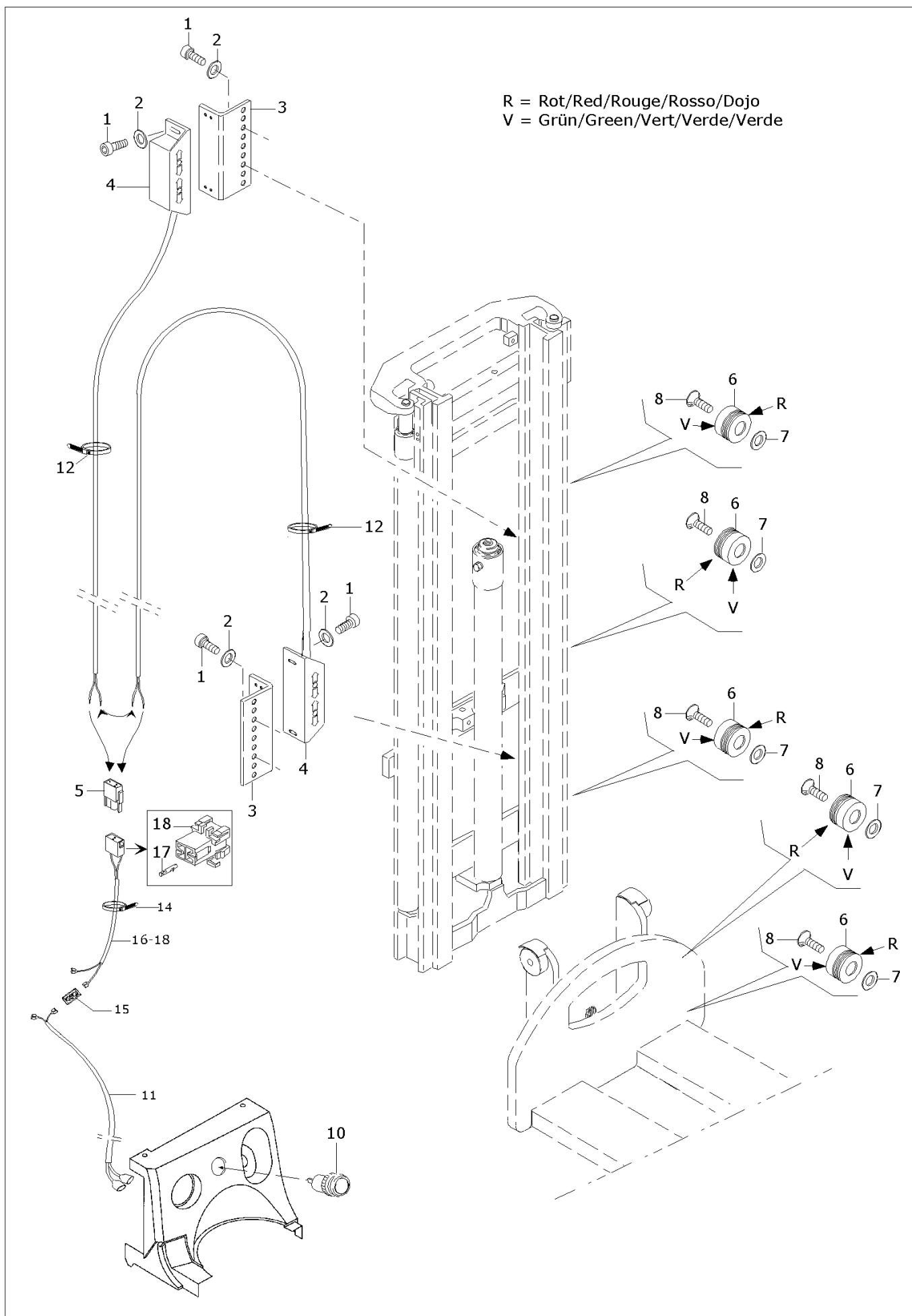


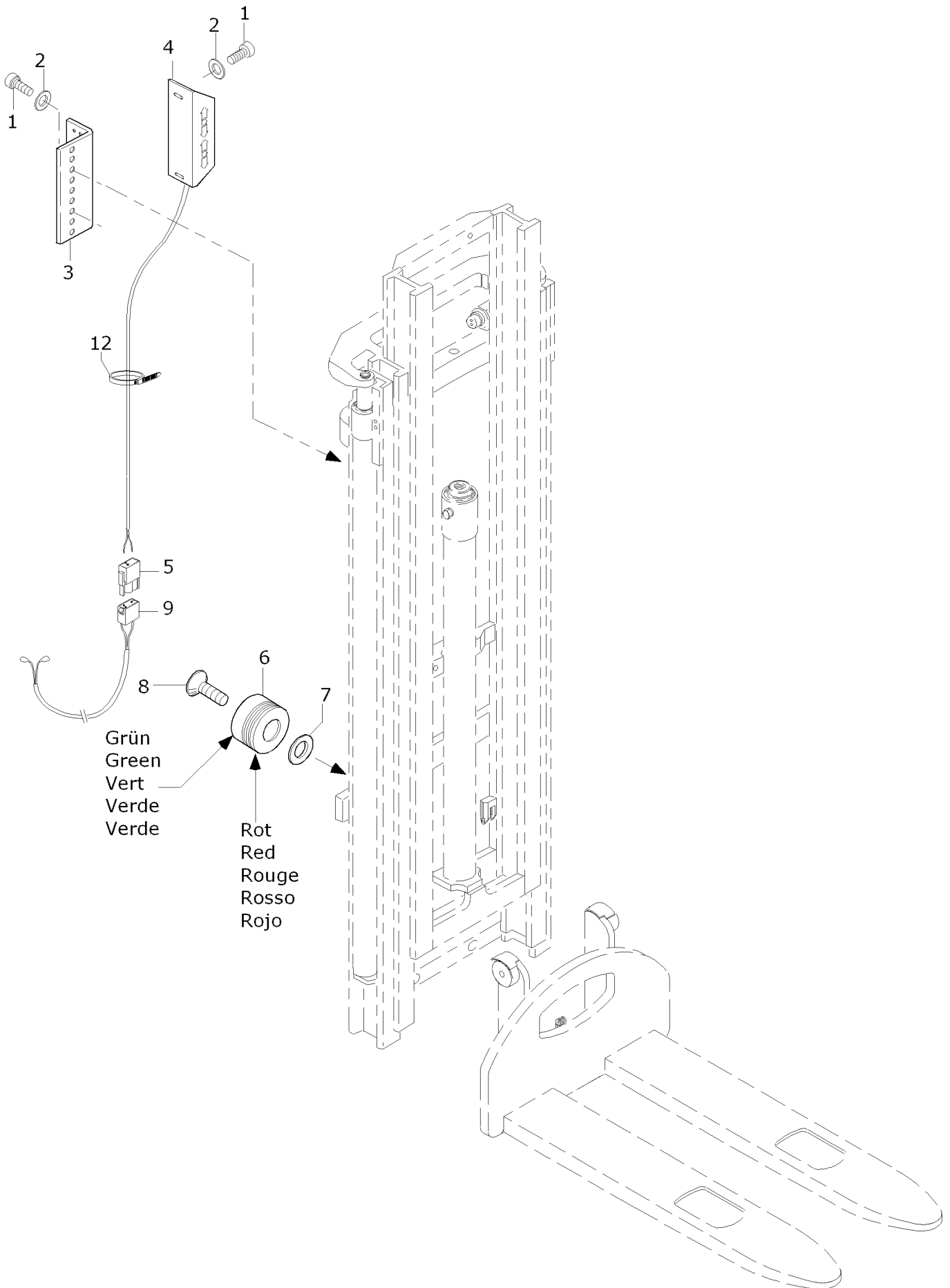
481993

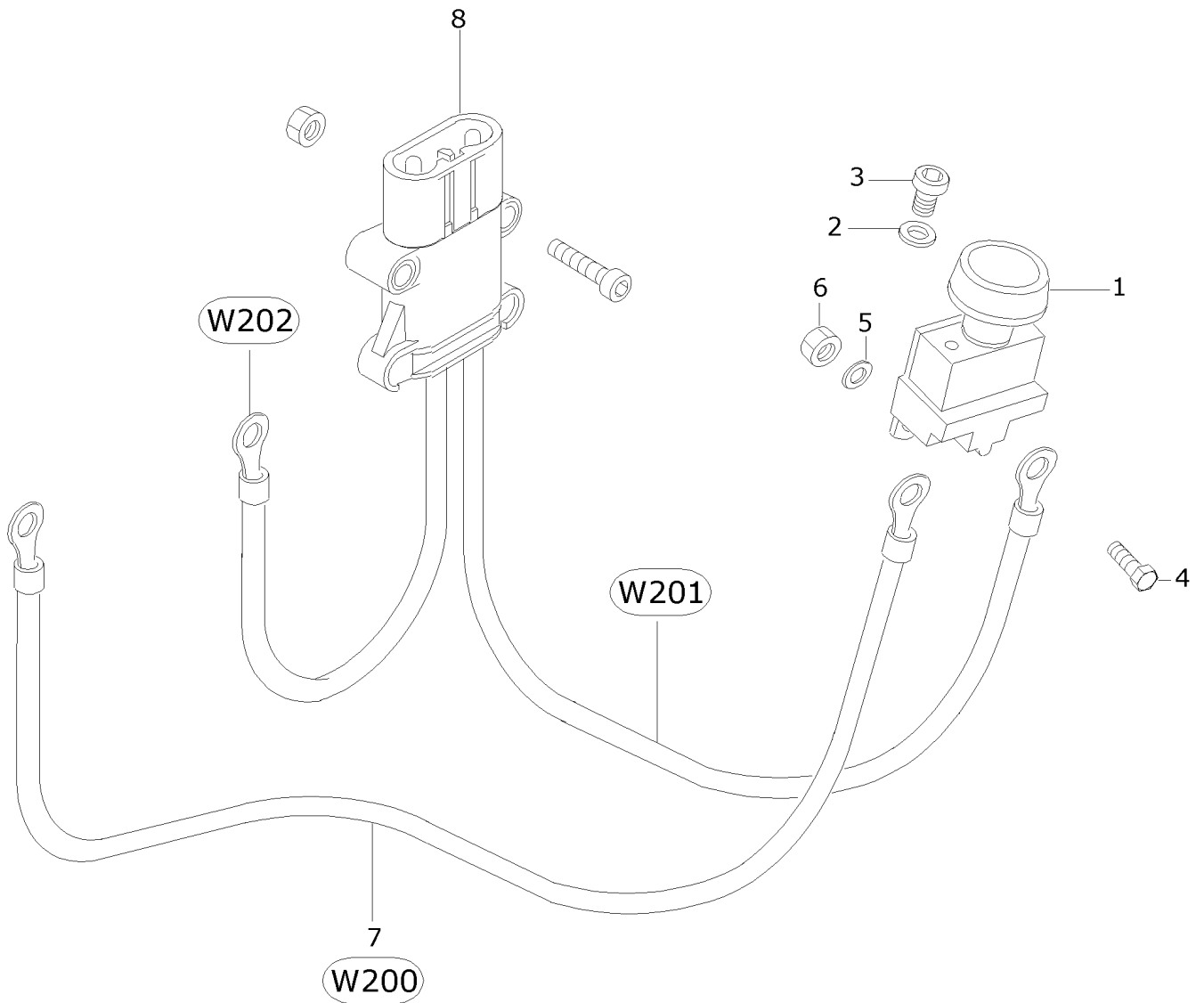


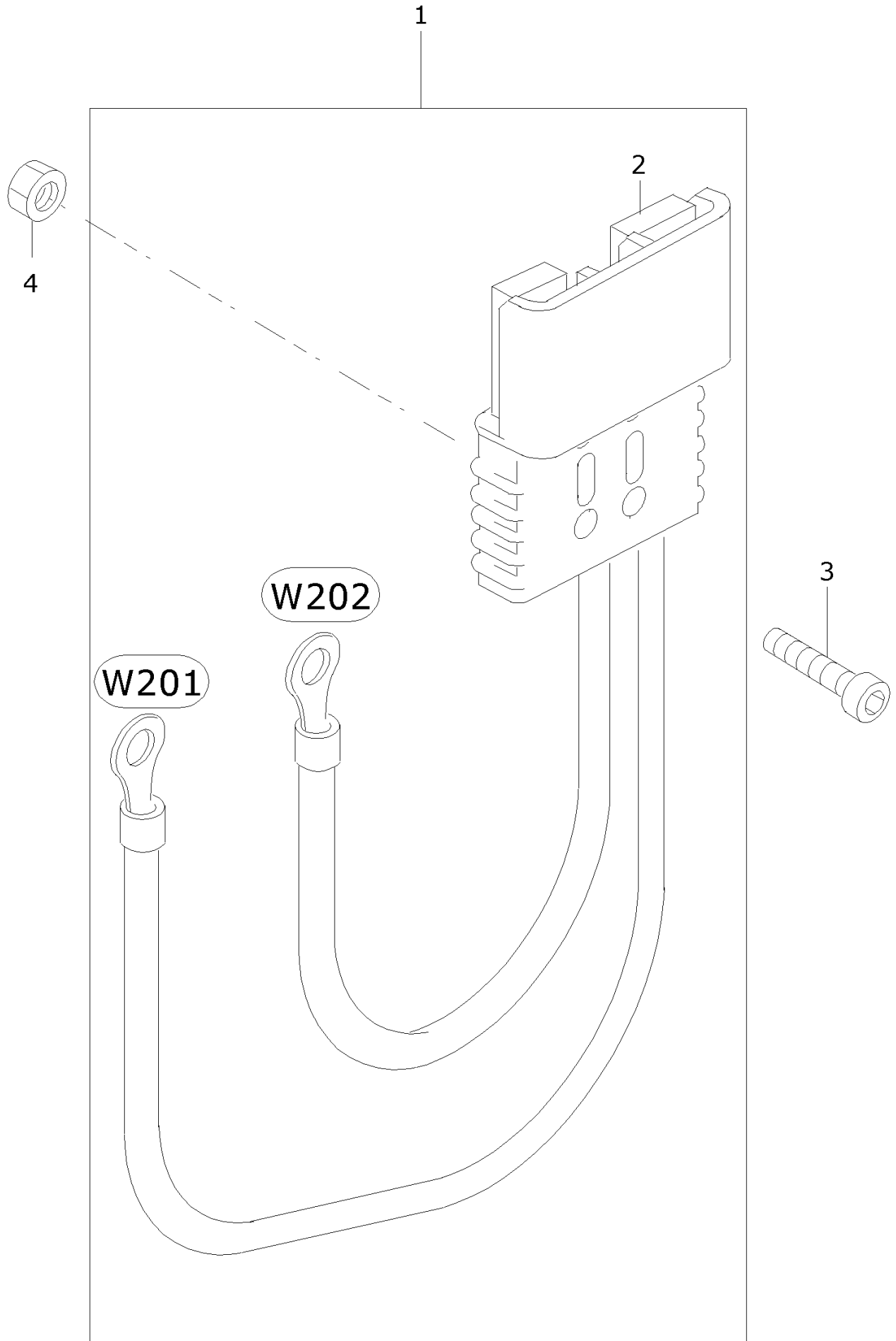


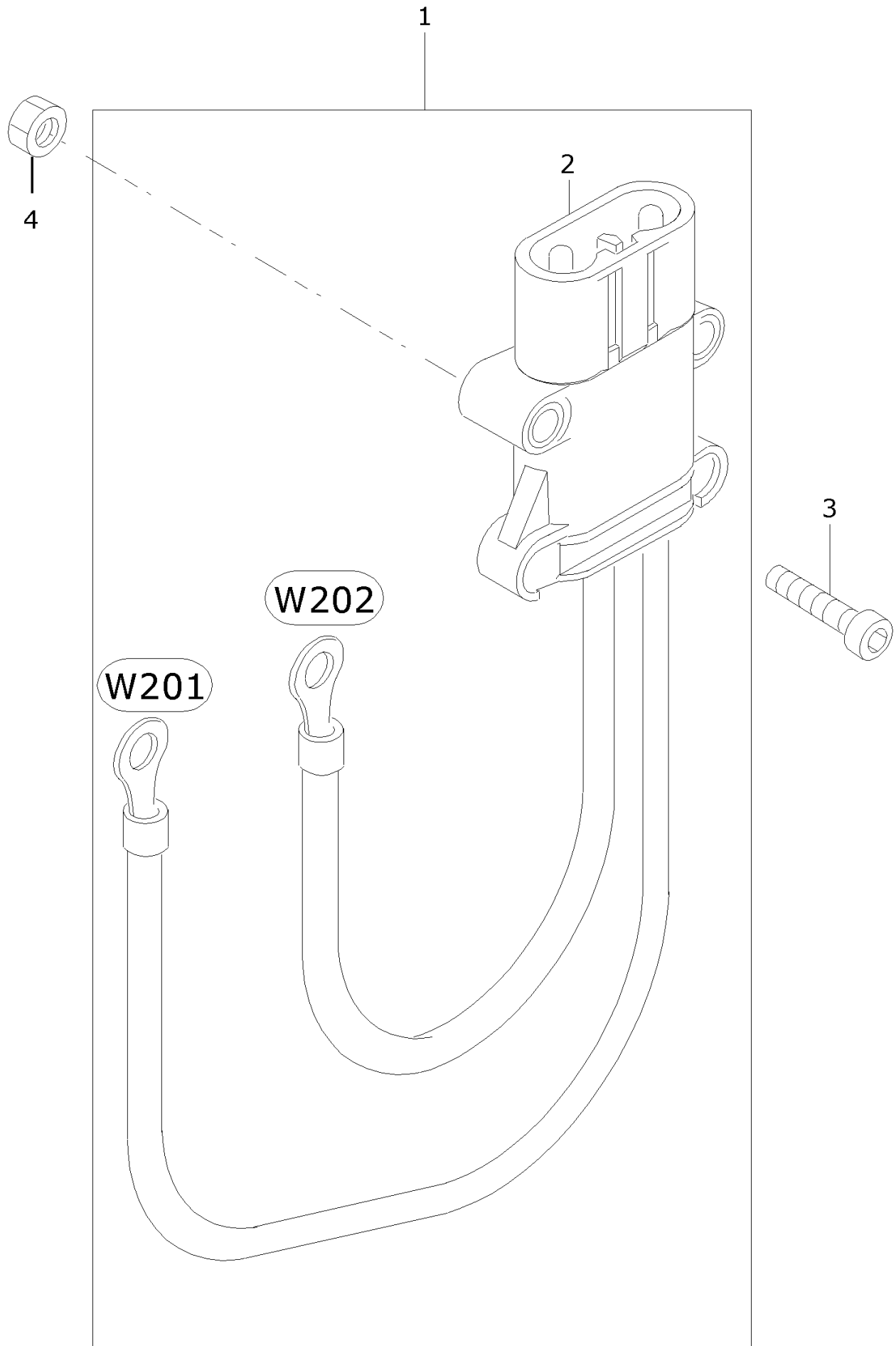


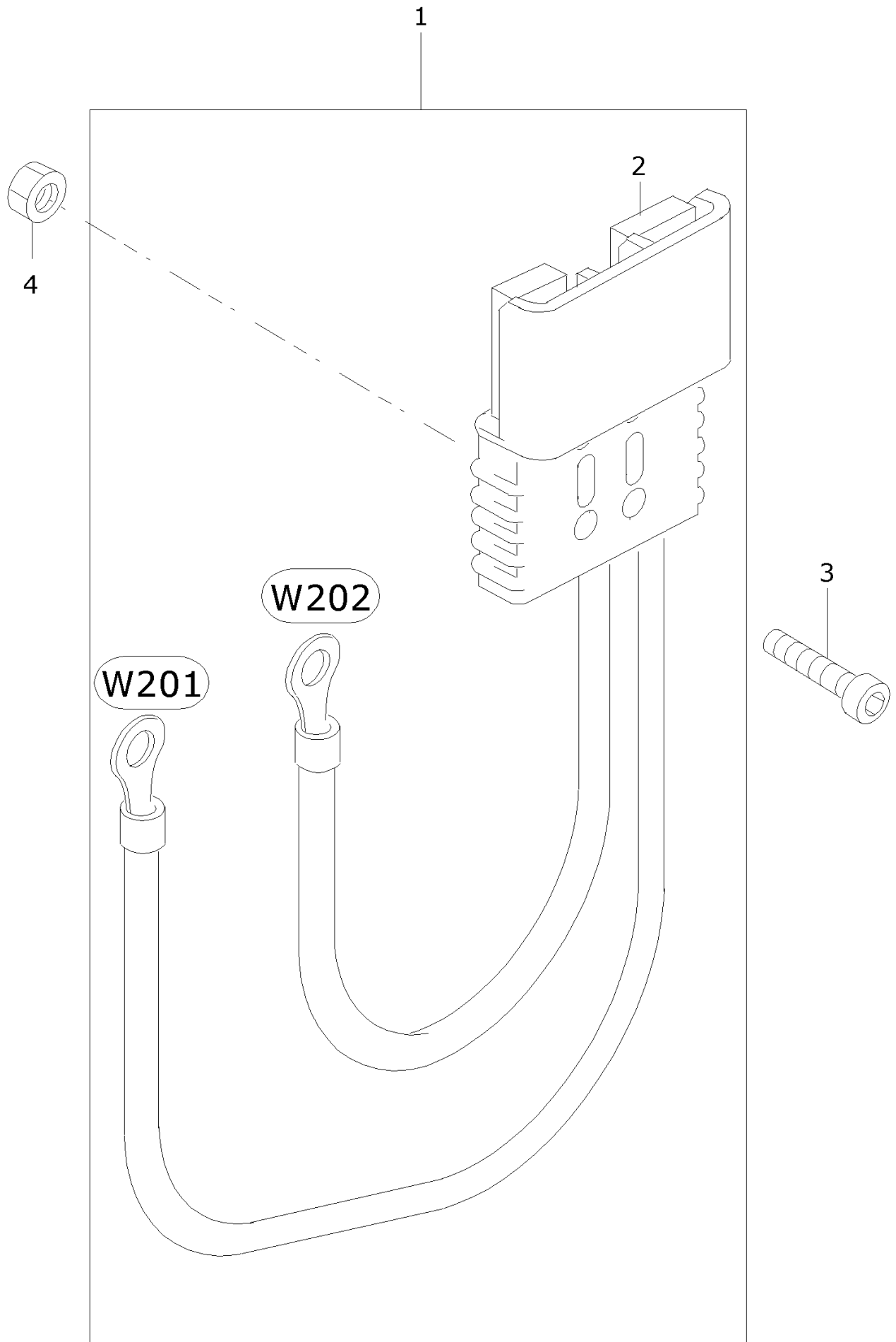


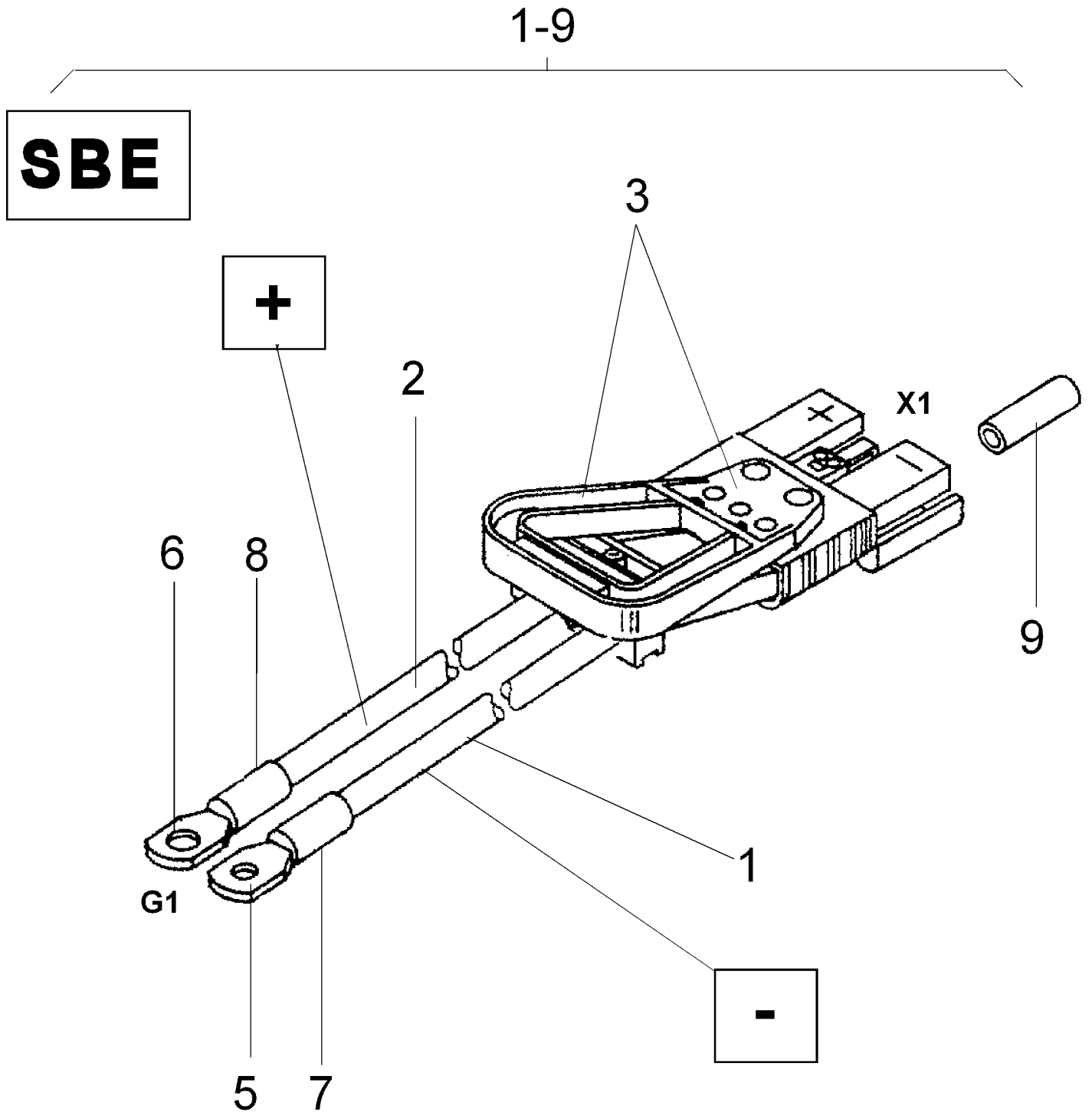




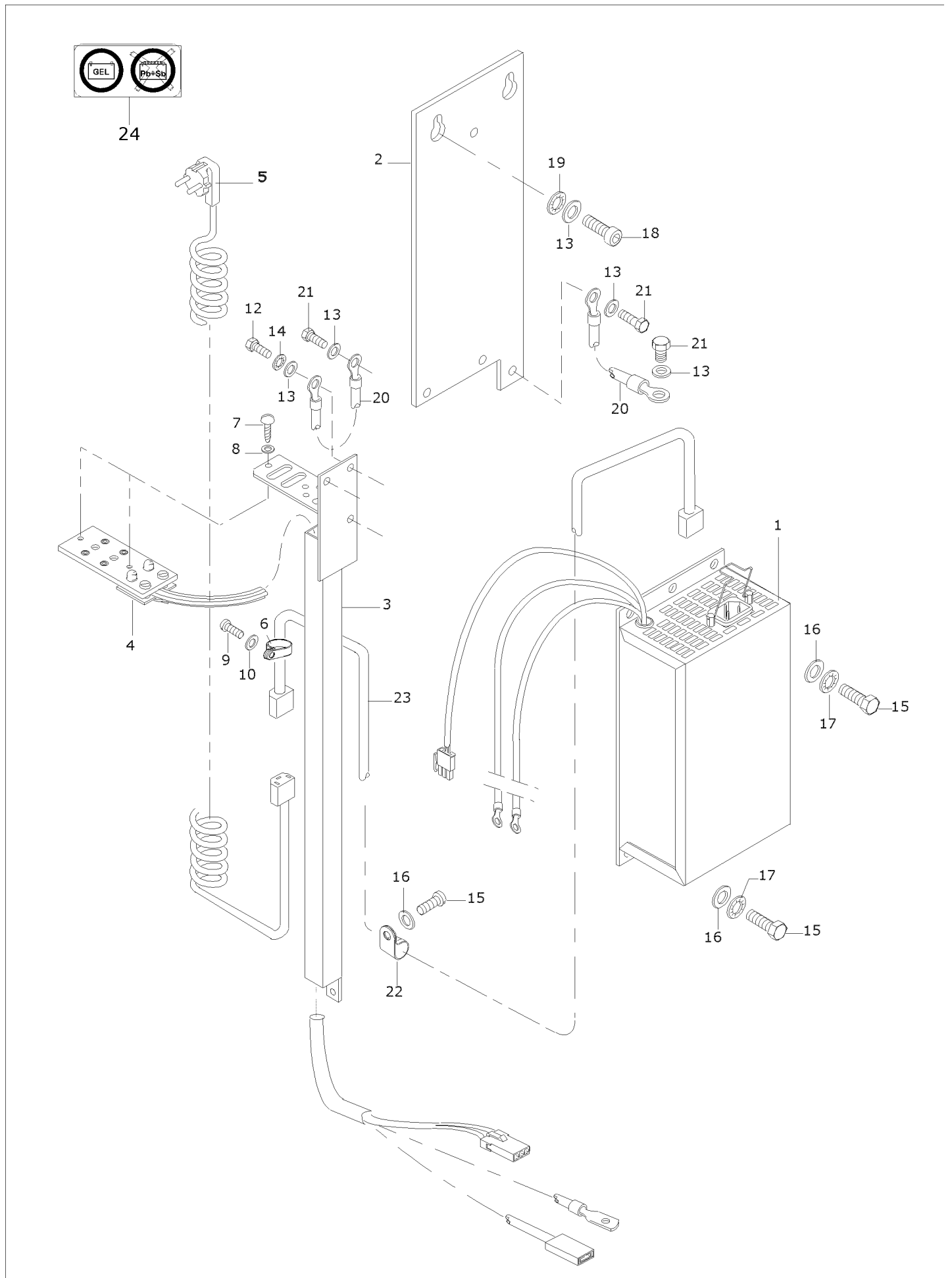


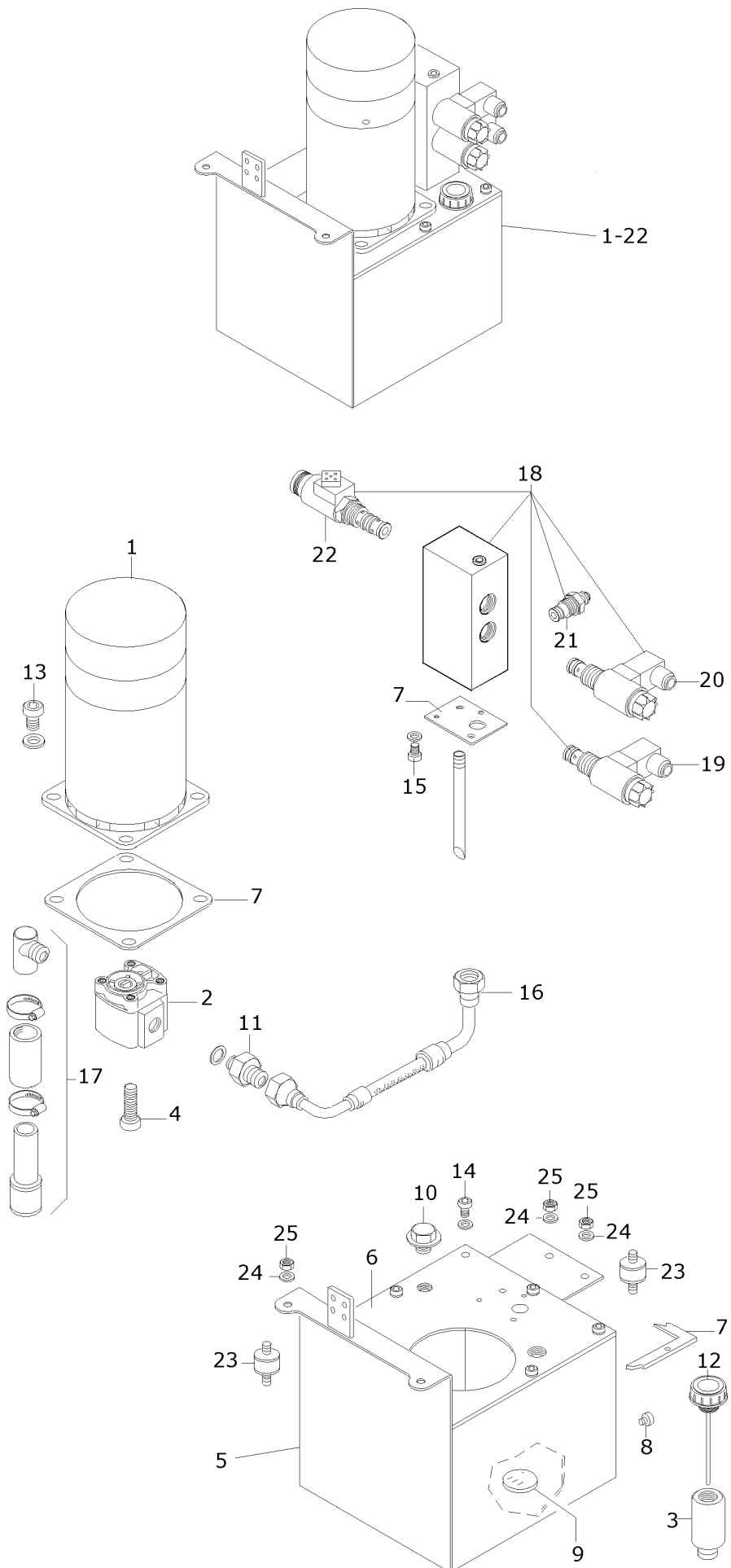


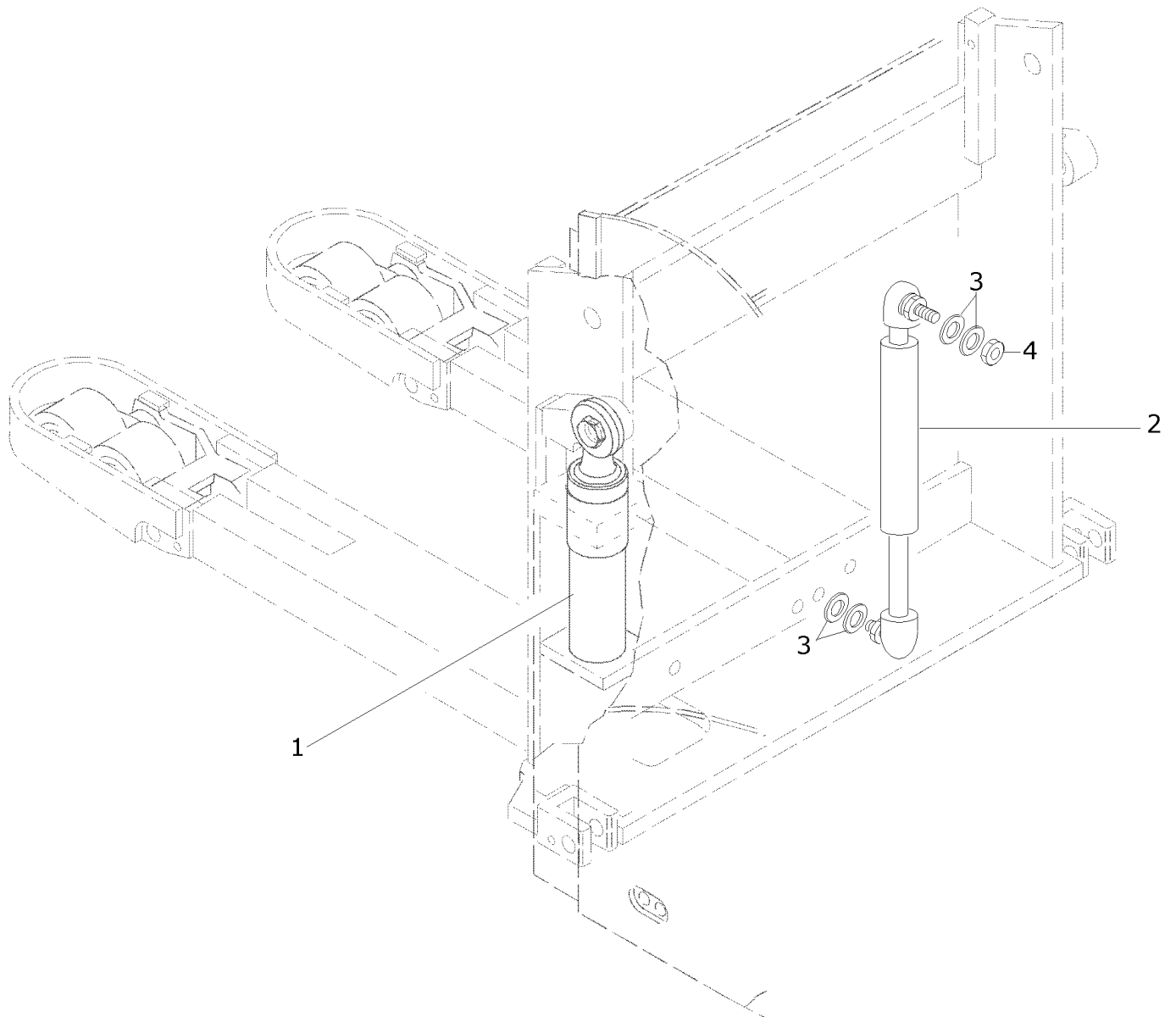




347699







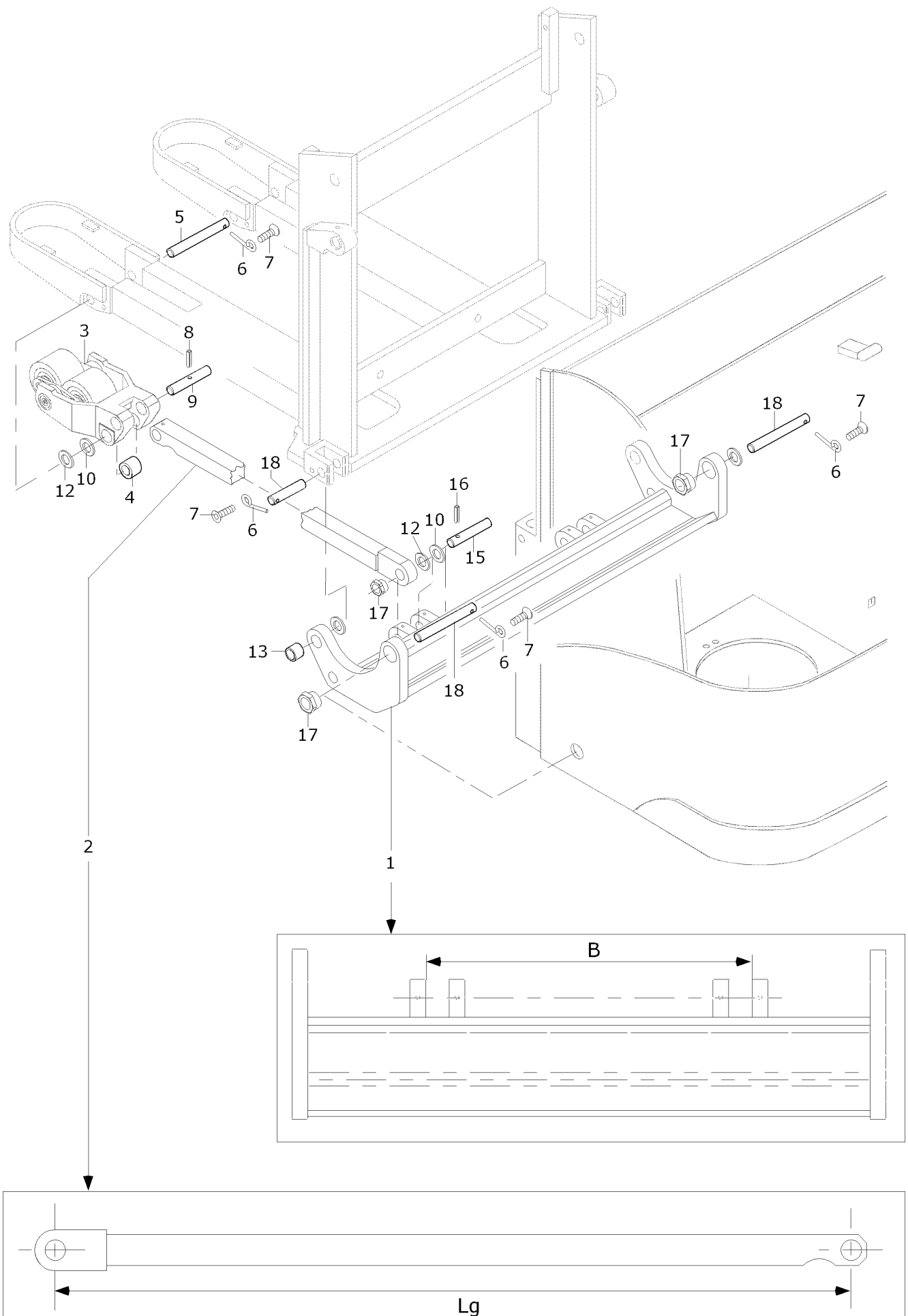
CLICK HERE TO **DOWNLOAD** THE COMPLETE MANUAL

- Thank you very much for reading the preview of the manual.
- You can download the complete manual from: www.heydownloads.com by clicking the link below

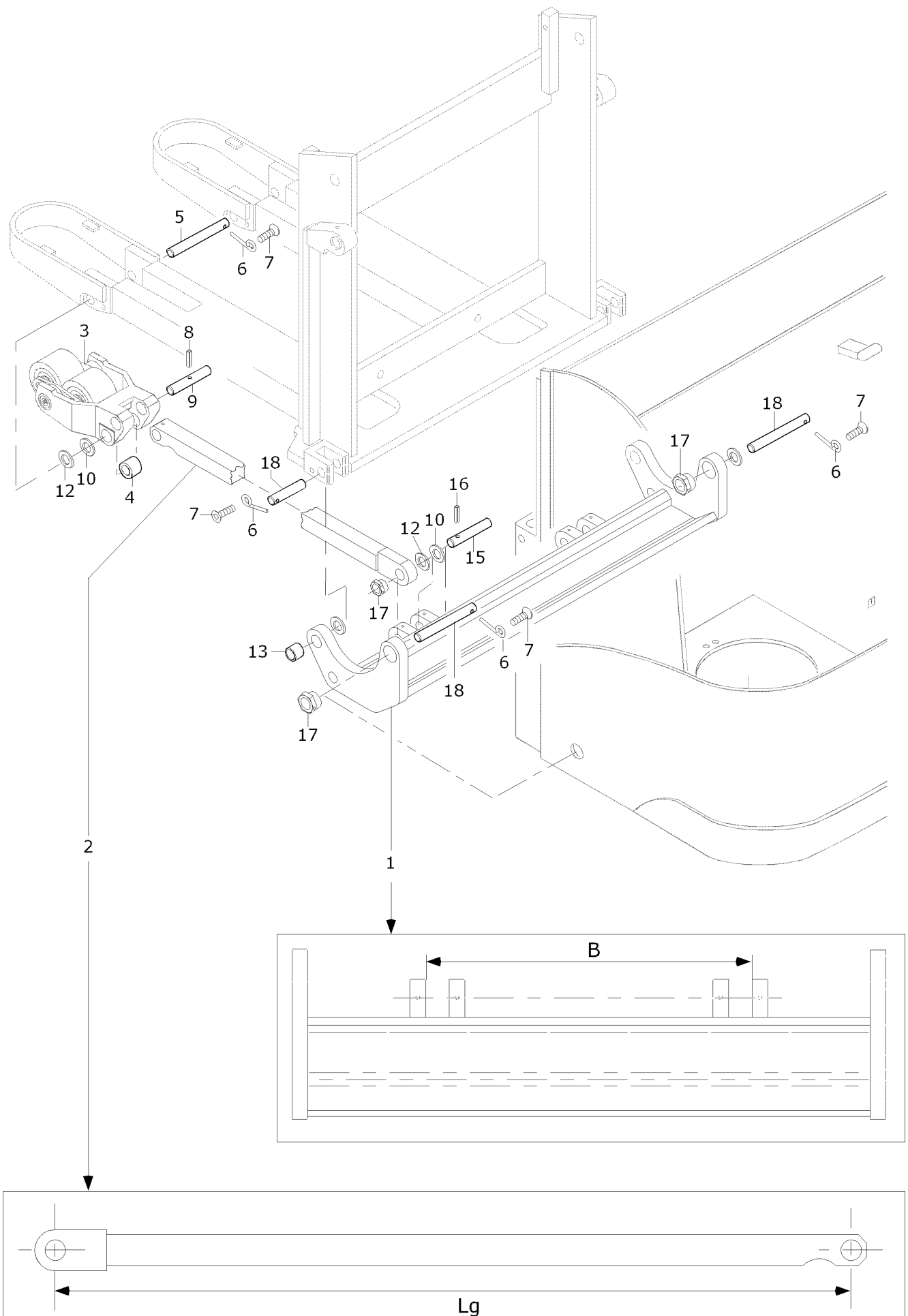


- Please note: If there is no response to CLICKING the link, please download this PDF first and then click on it.

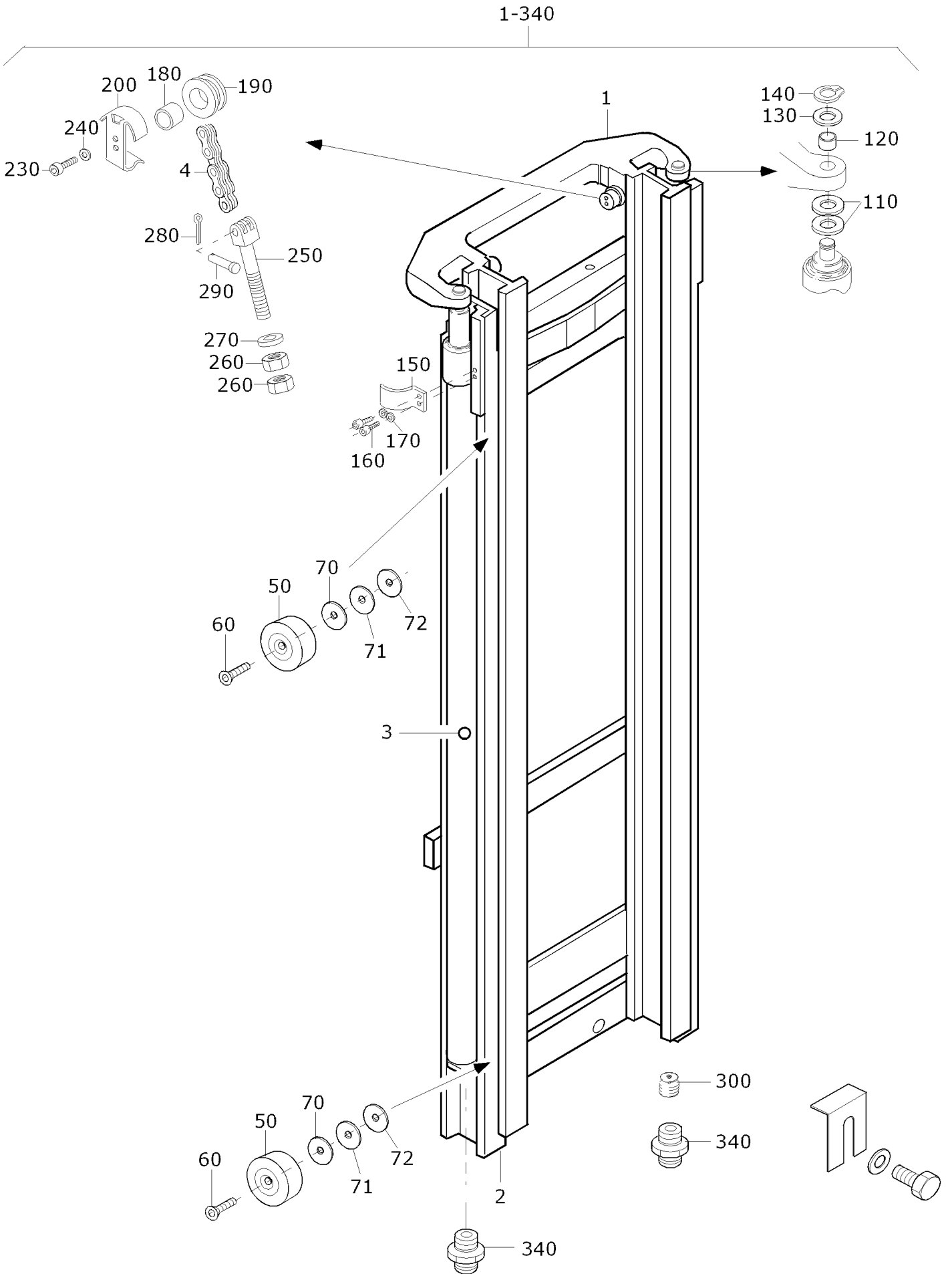
CLICK HERE TO **DOWNLOAD** THE COMPLETE MANUAL

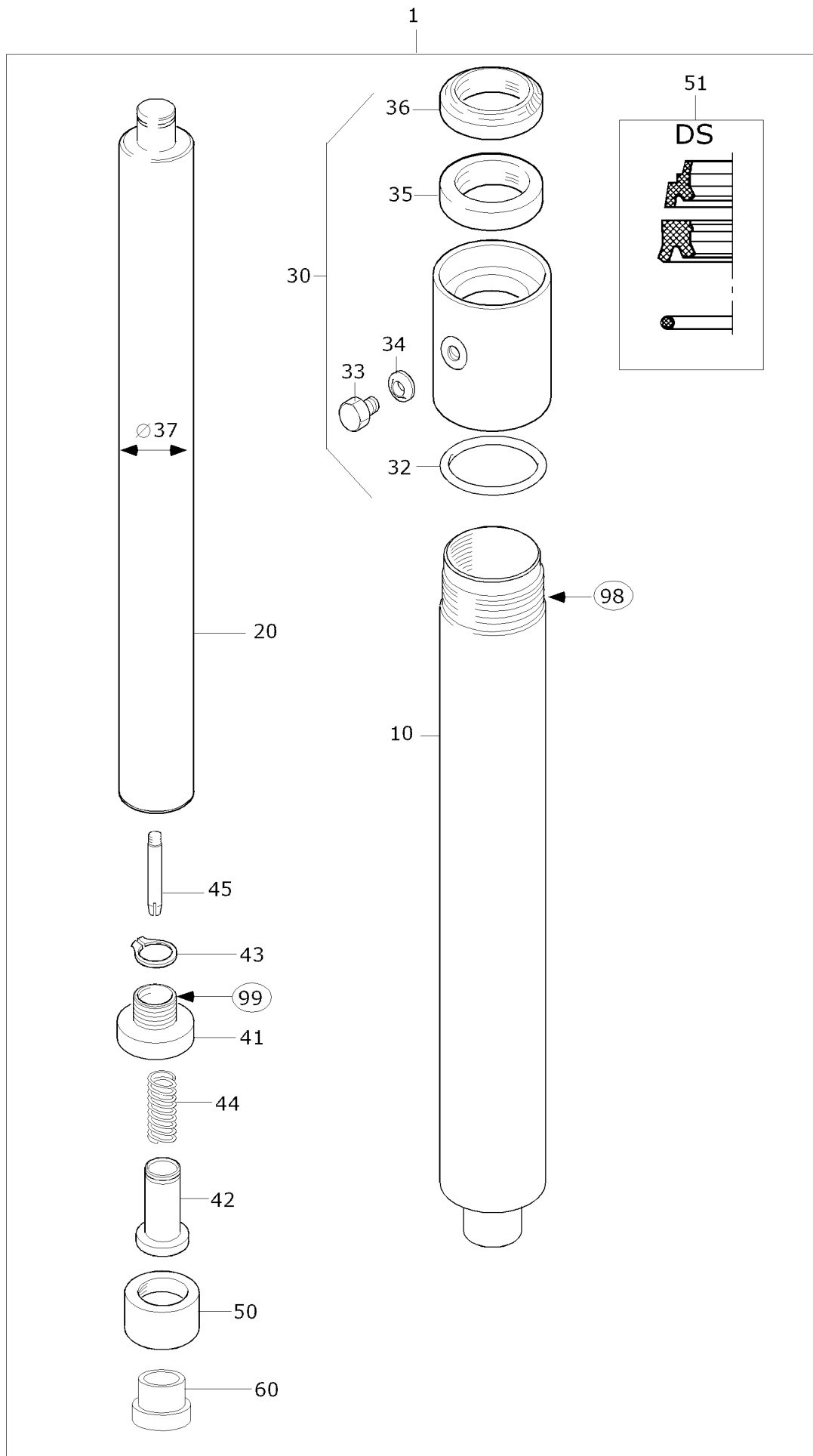


490682

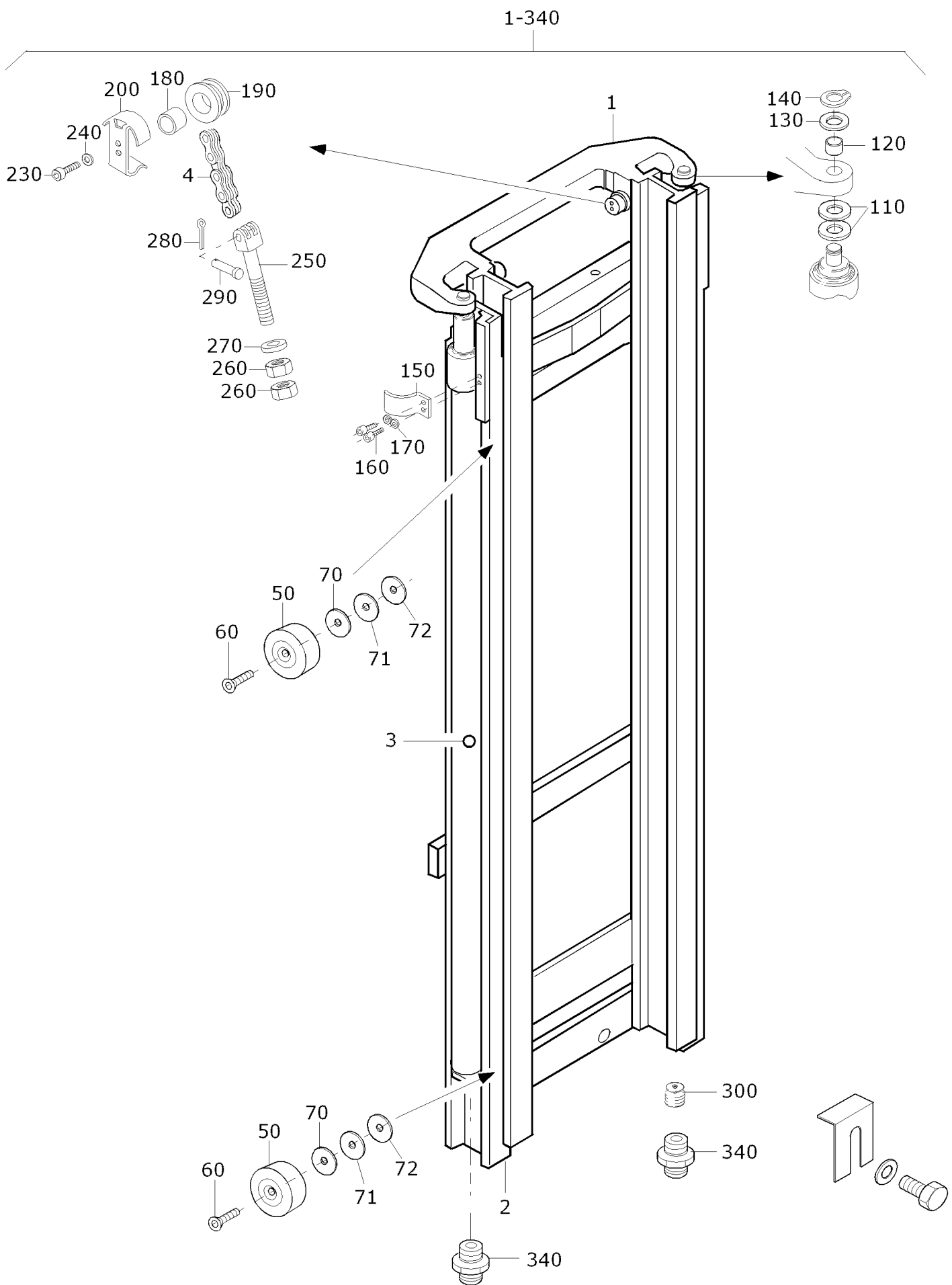


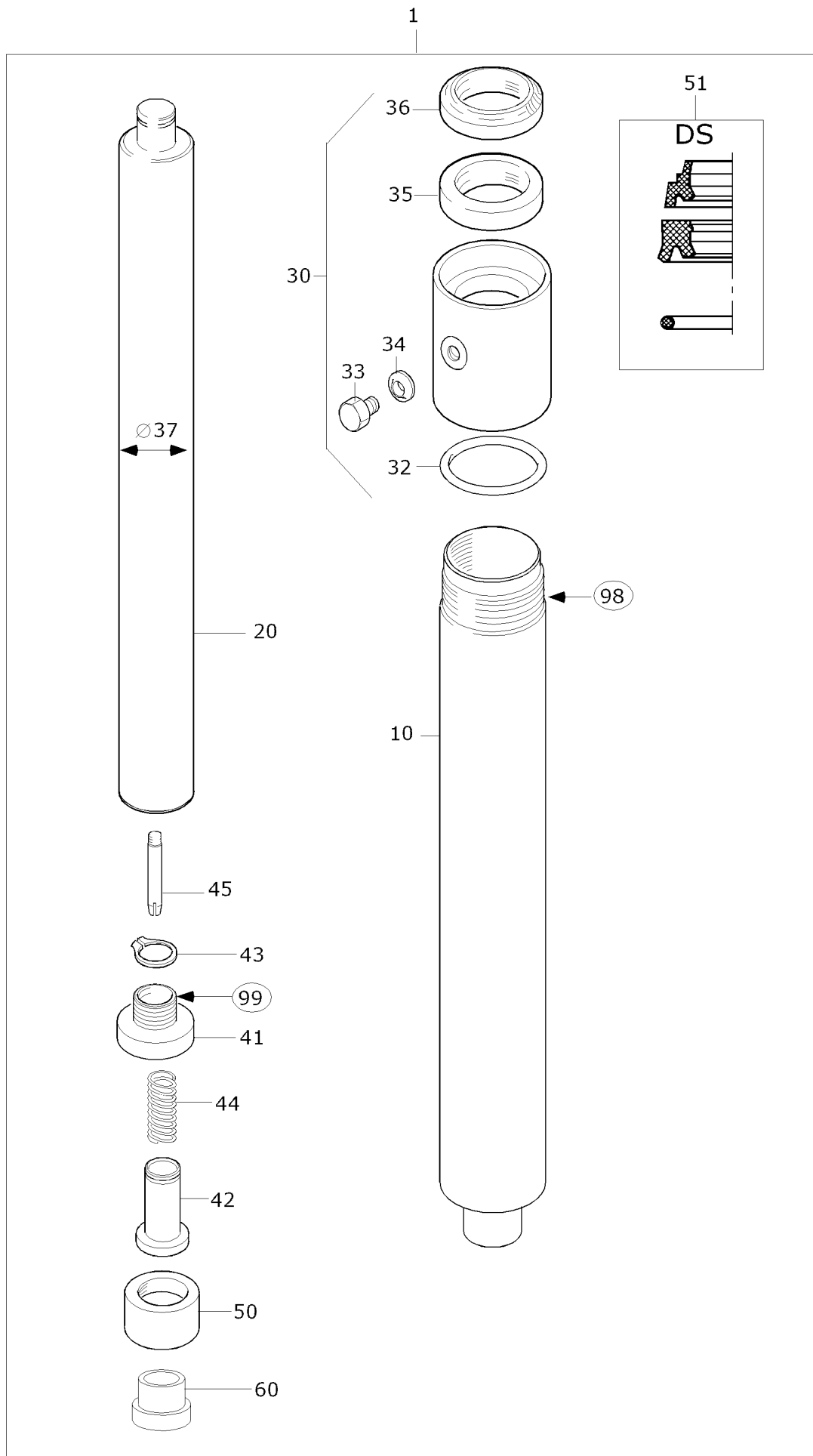
490682



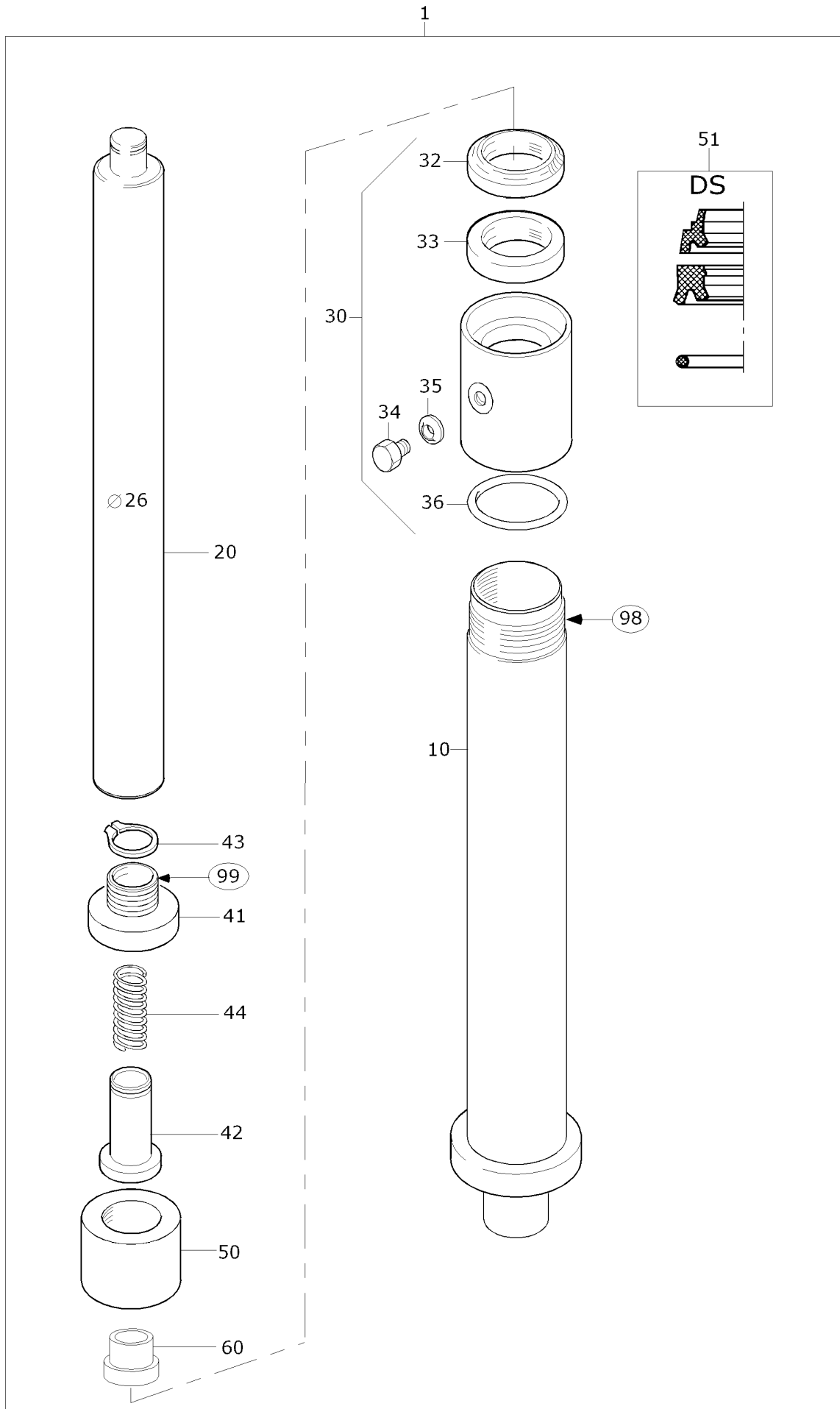


614356

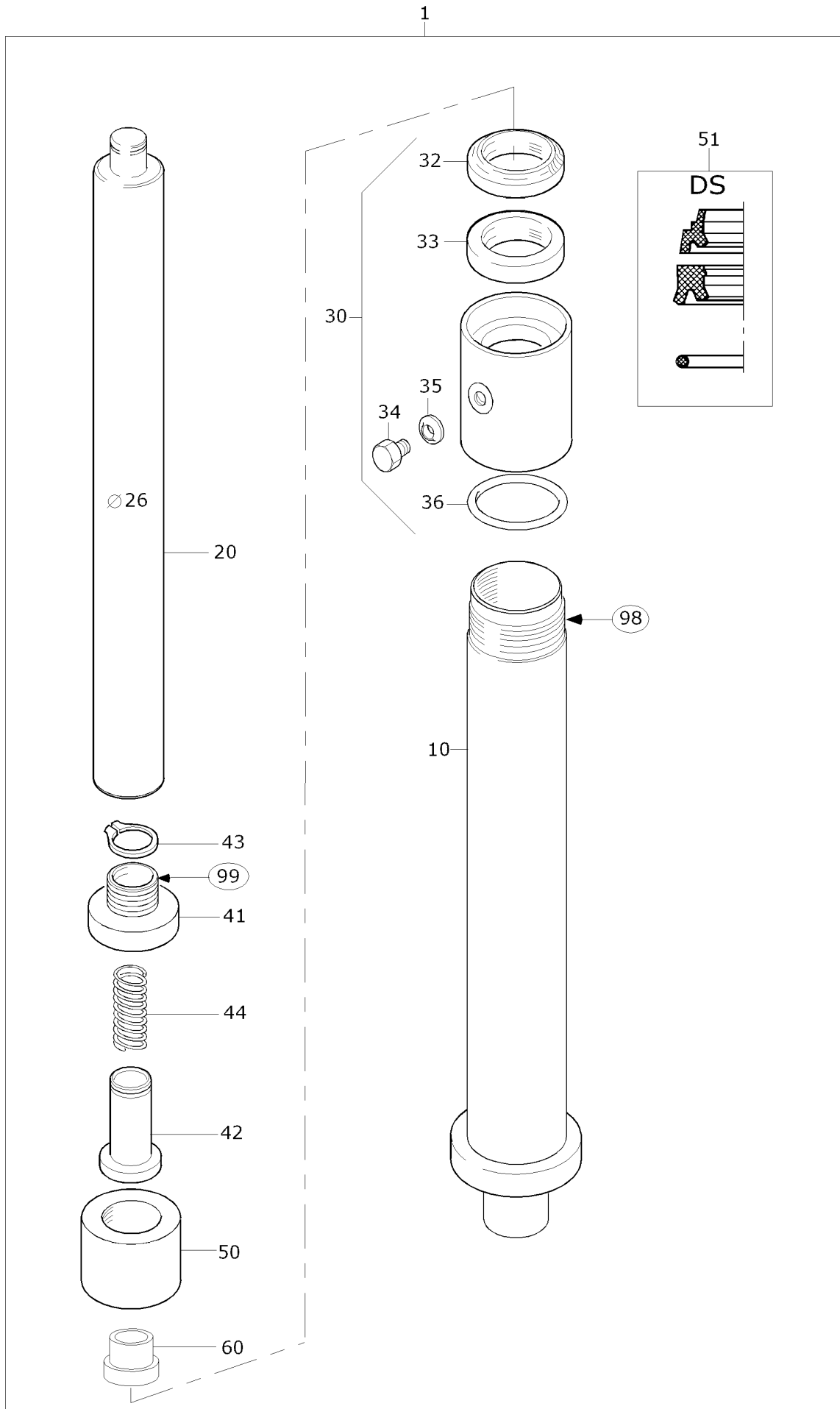




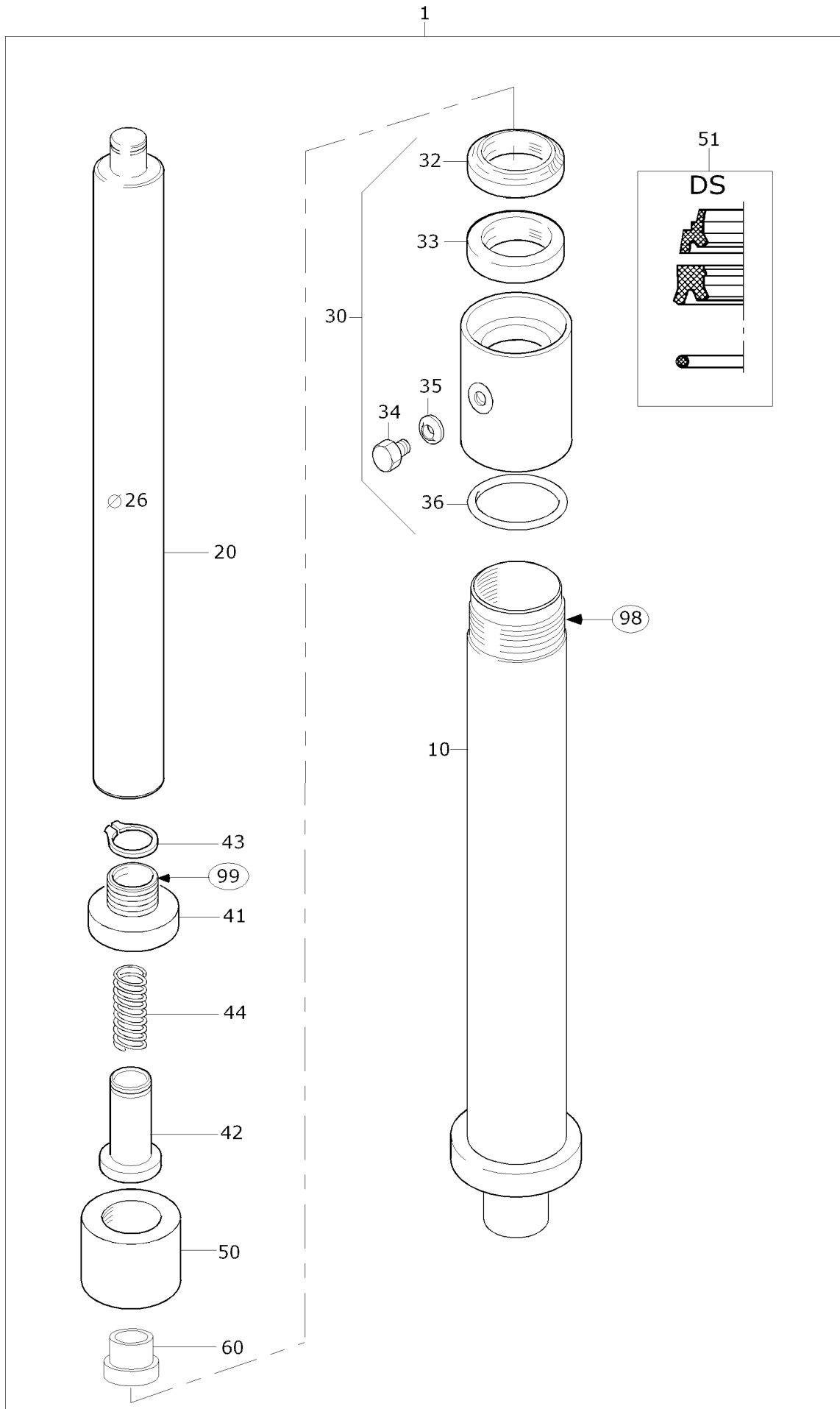
614356



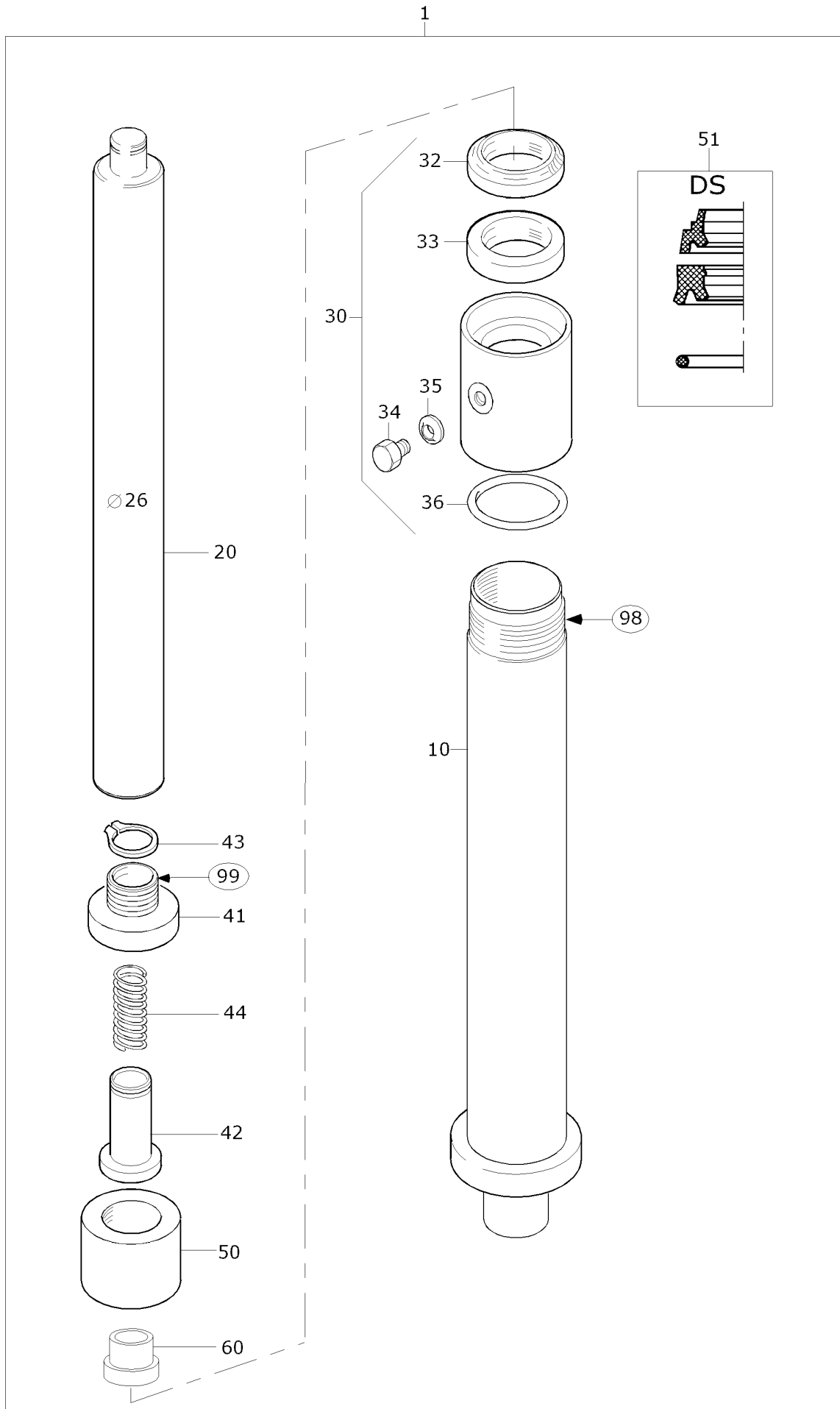
614431



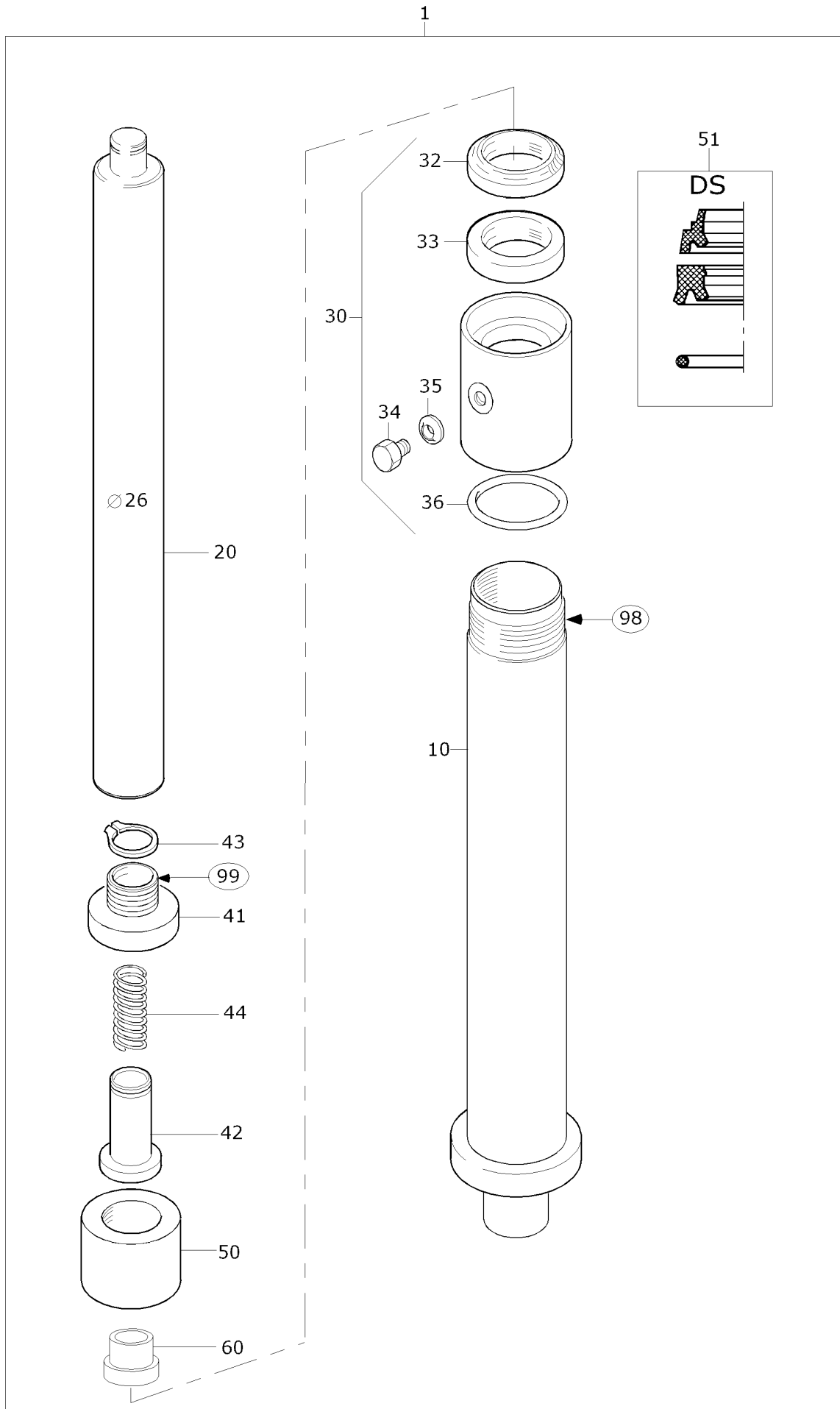
614431



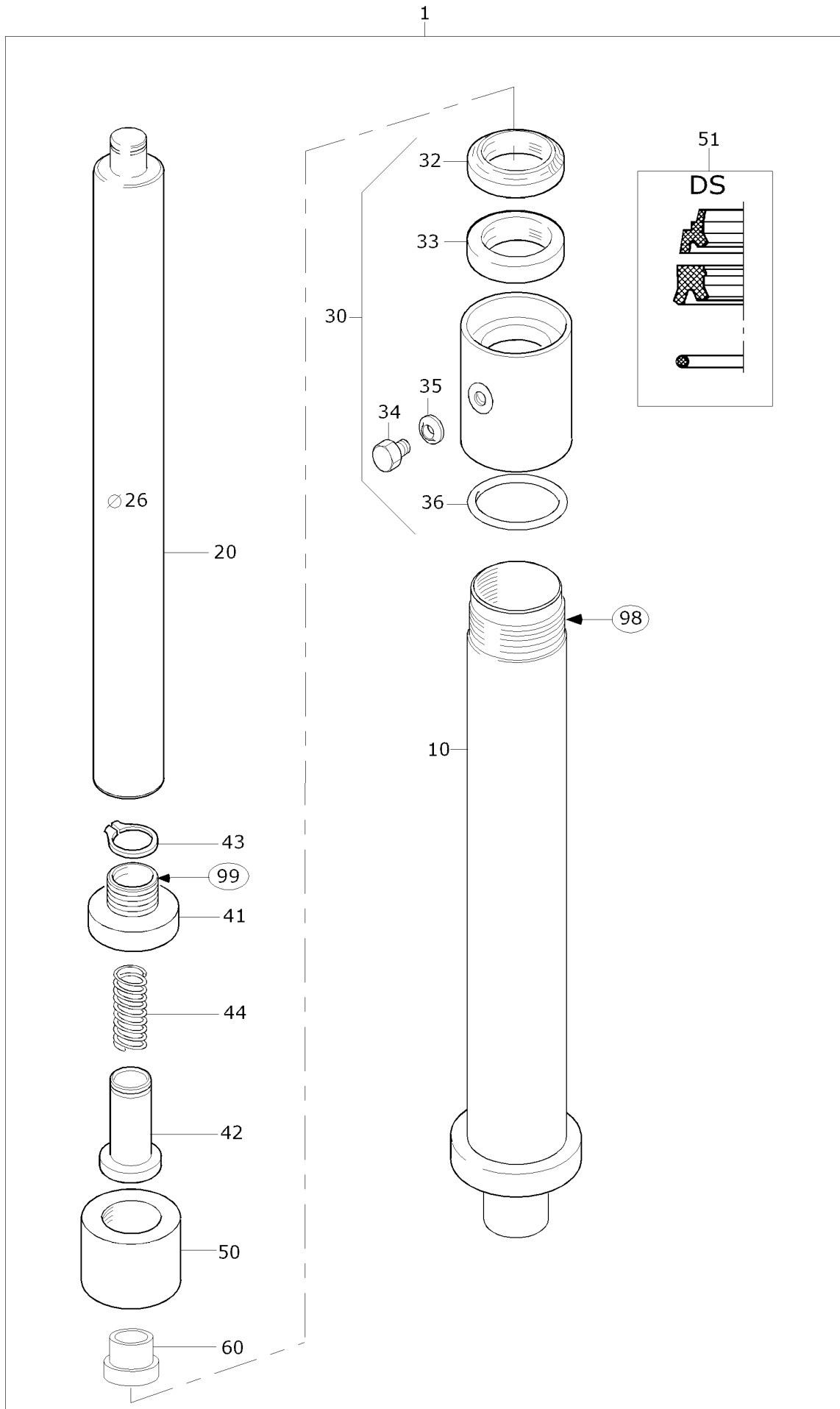
614431



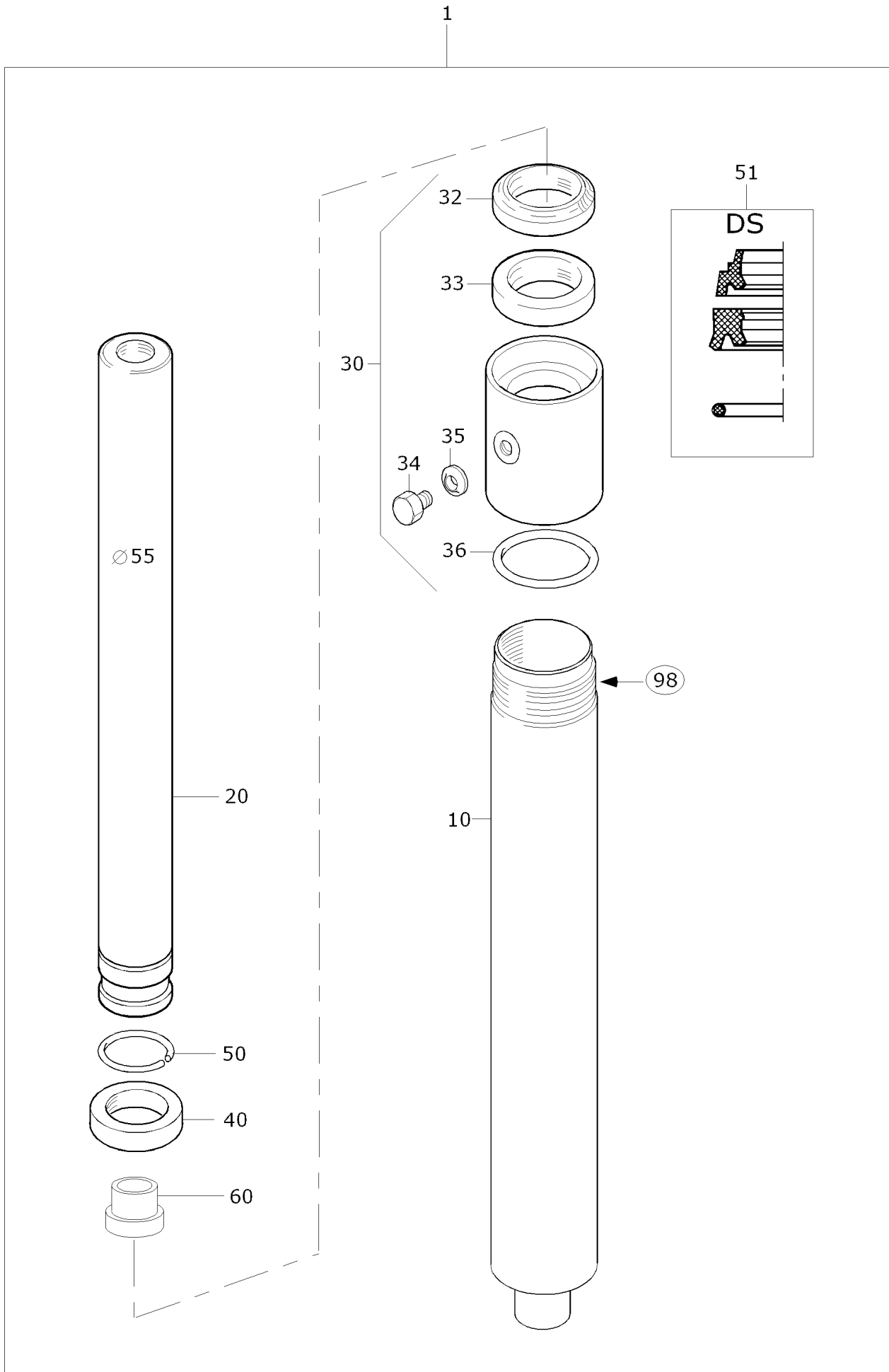
614431

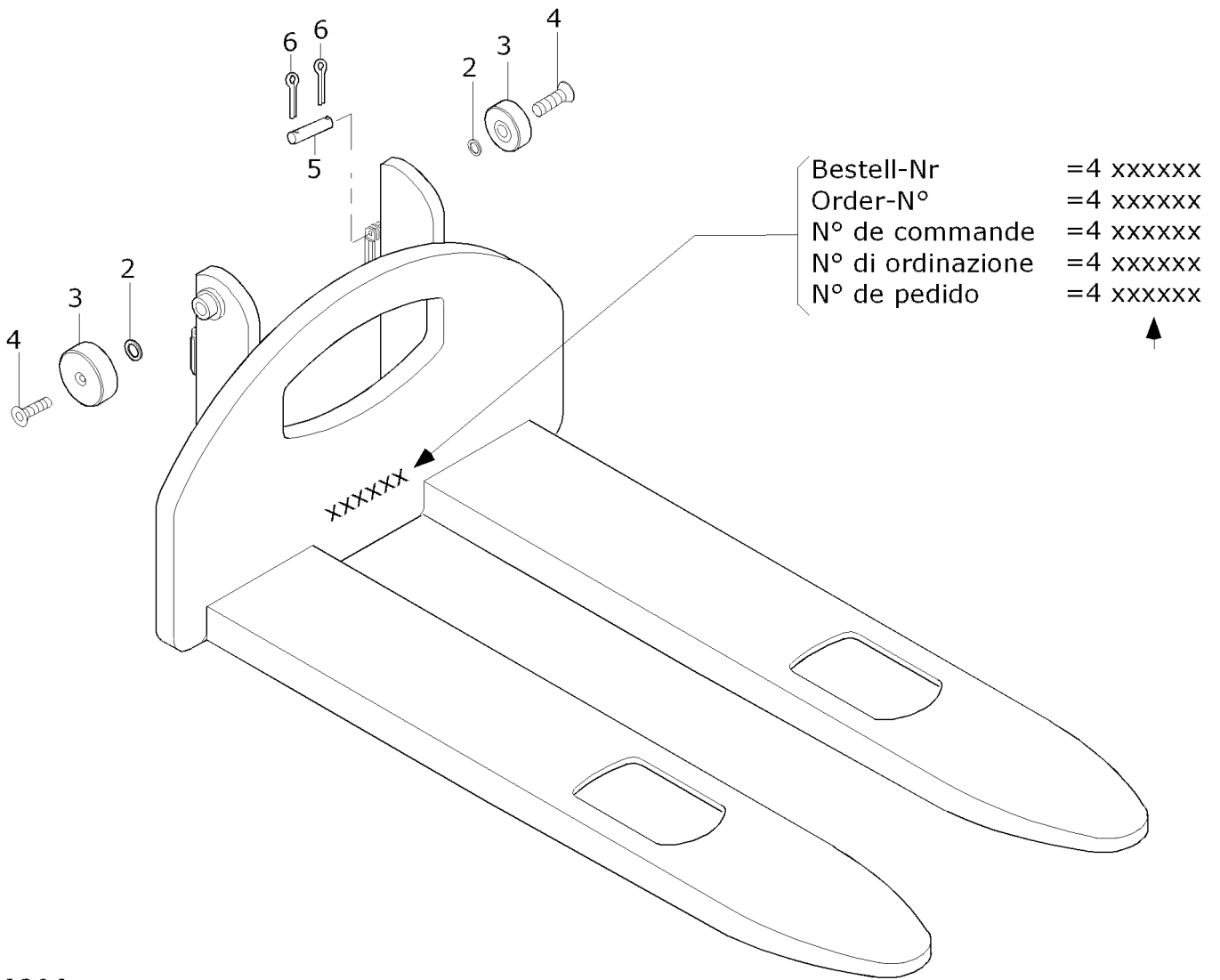


614431

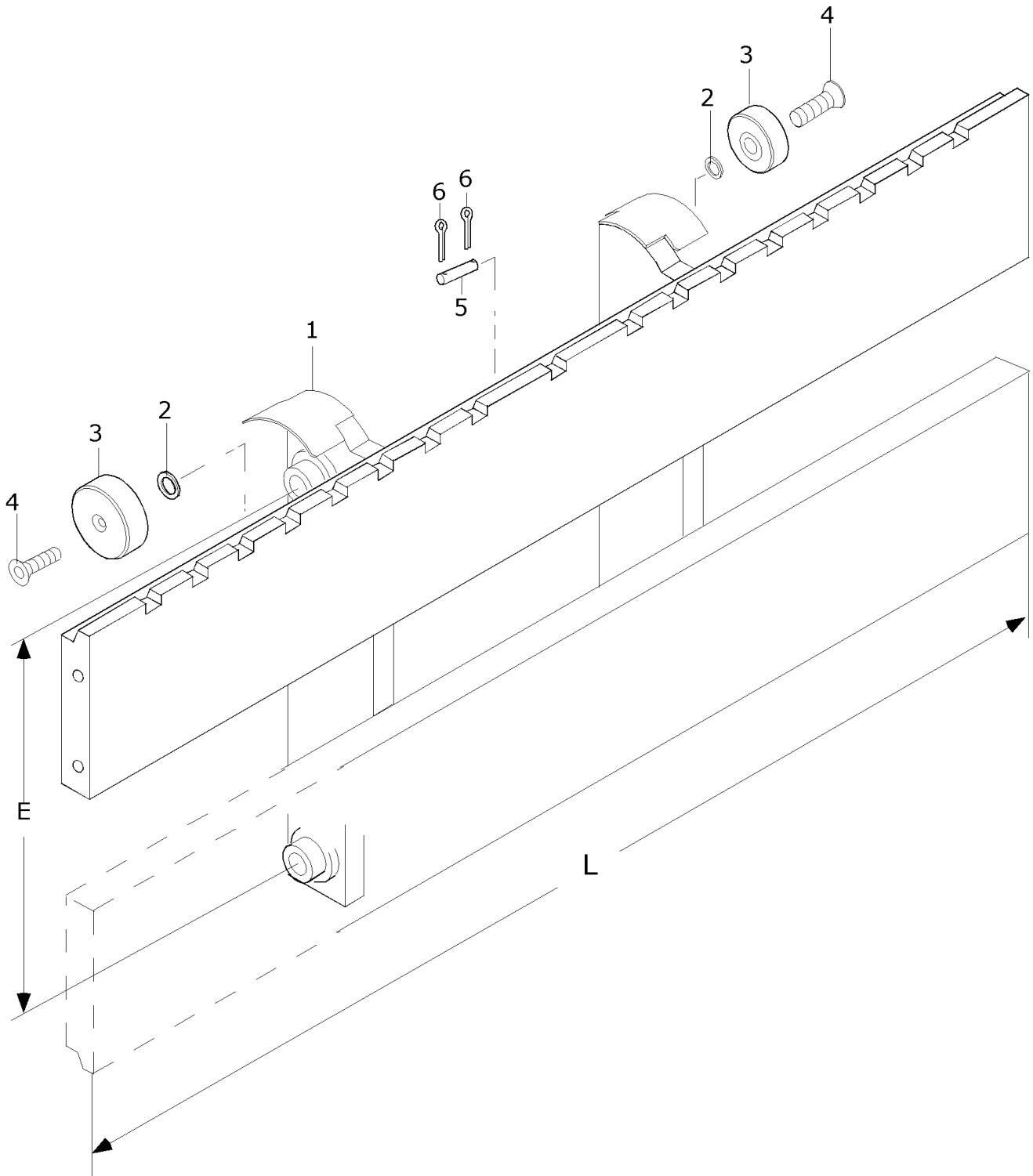


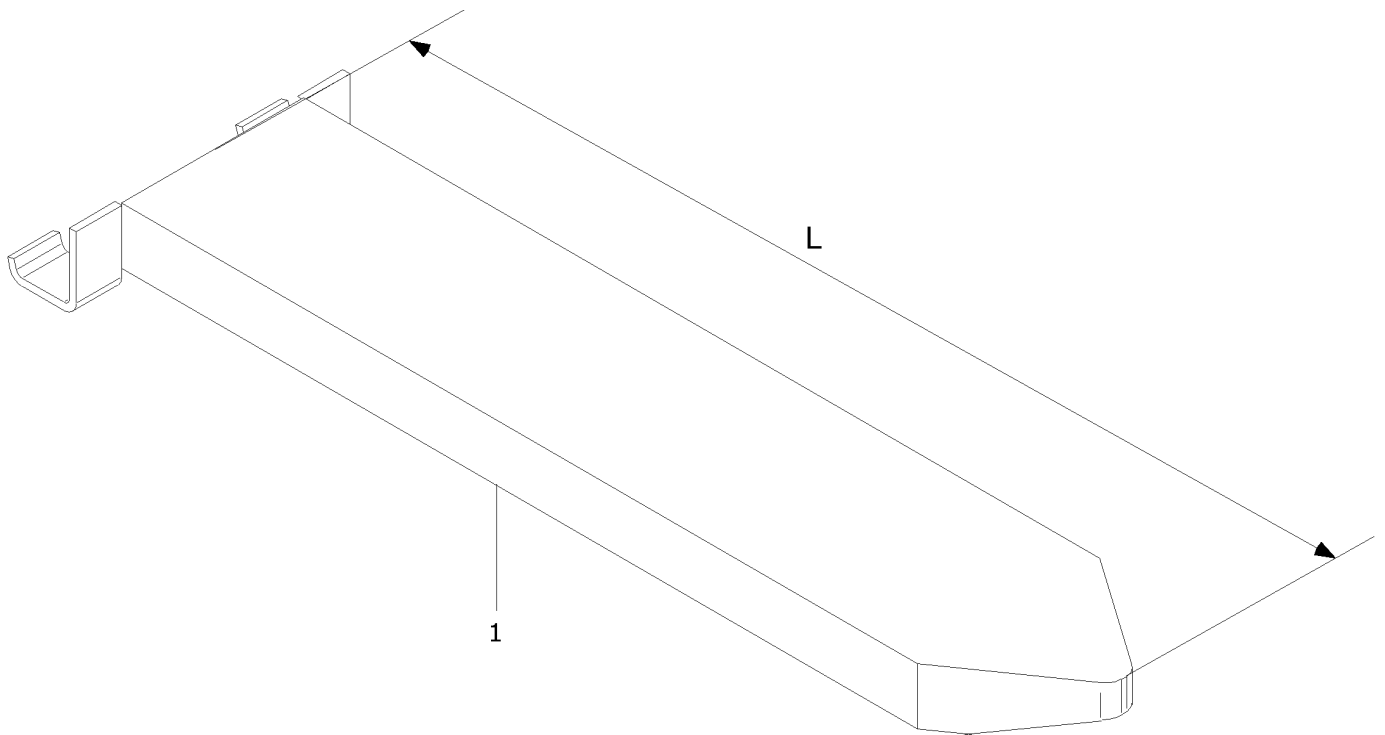
614431

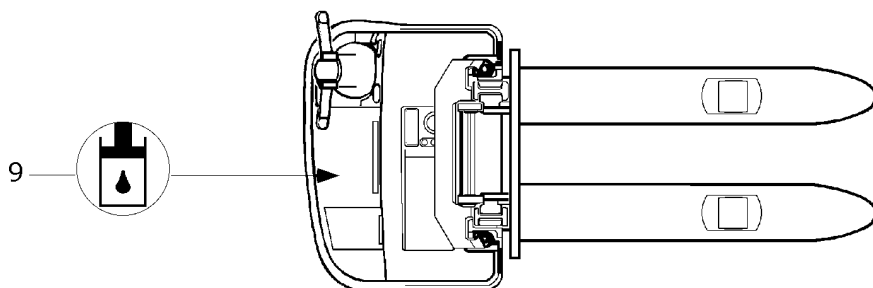
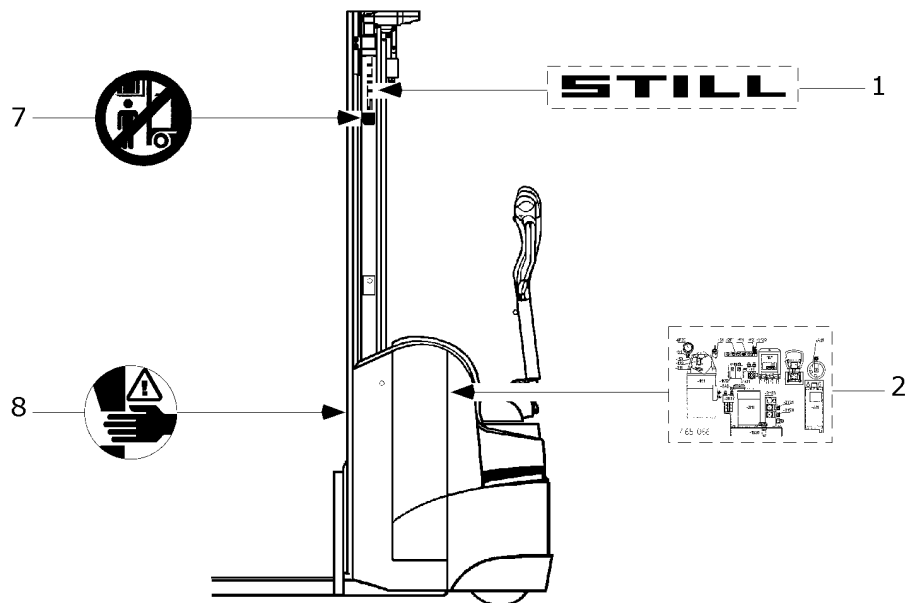
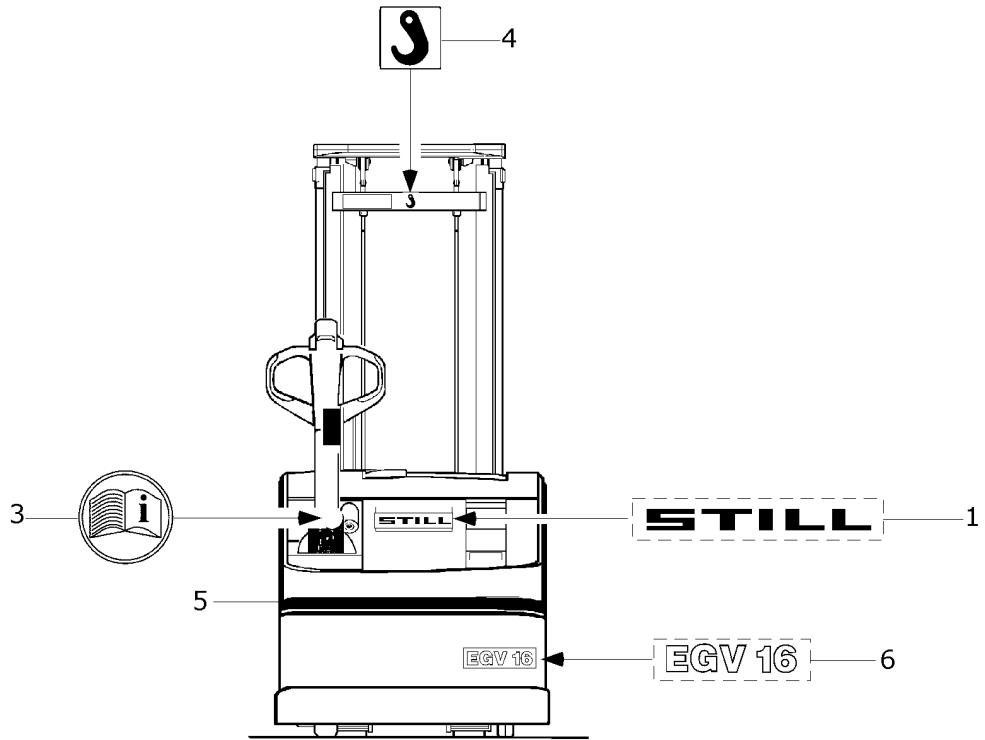


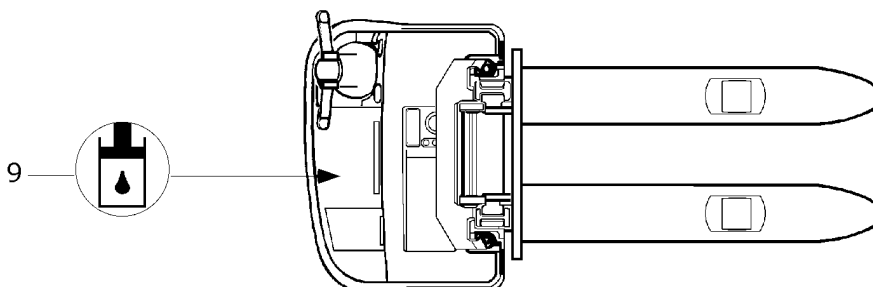
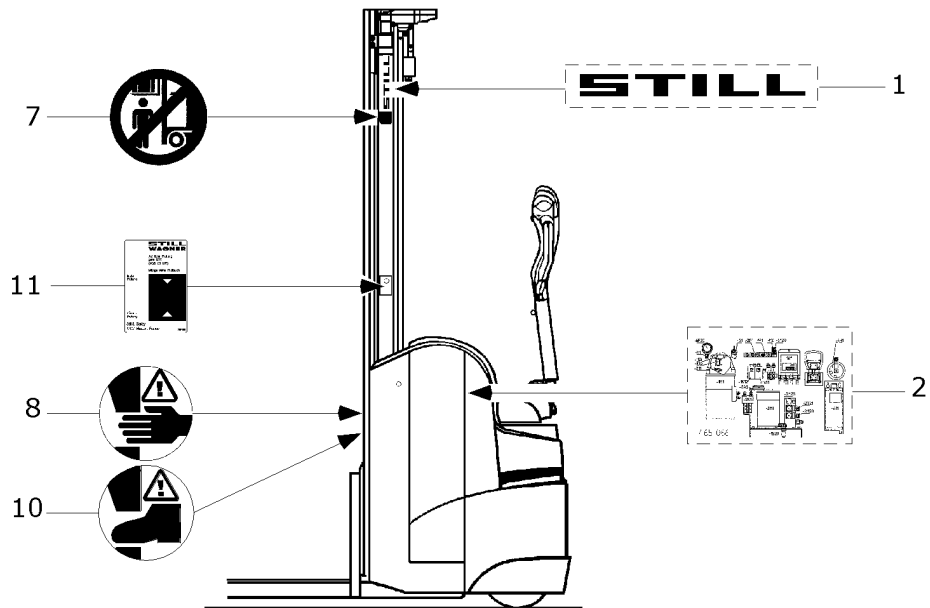
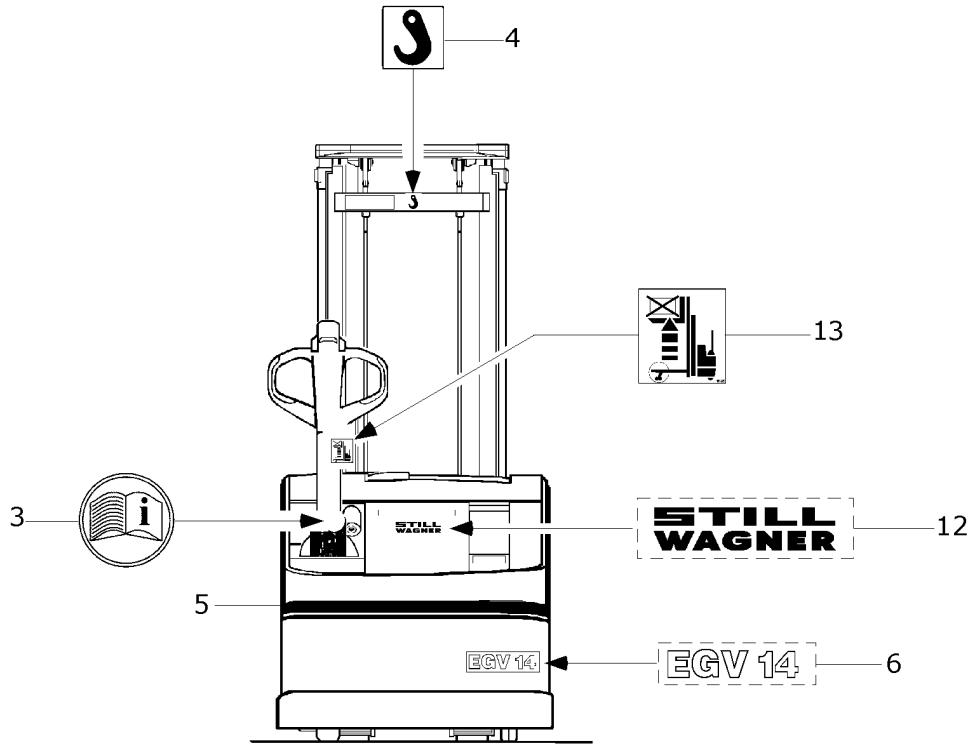


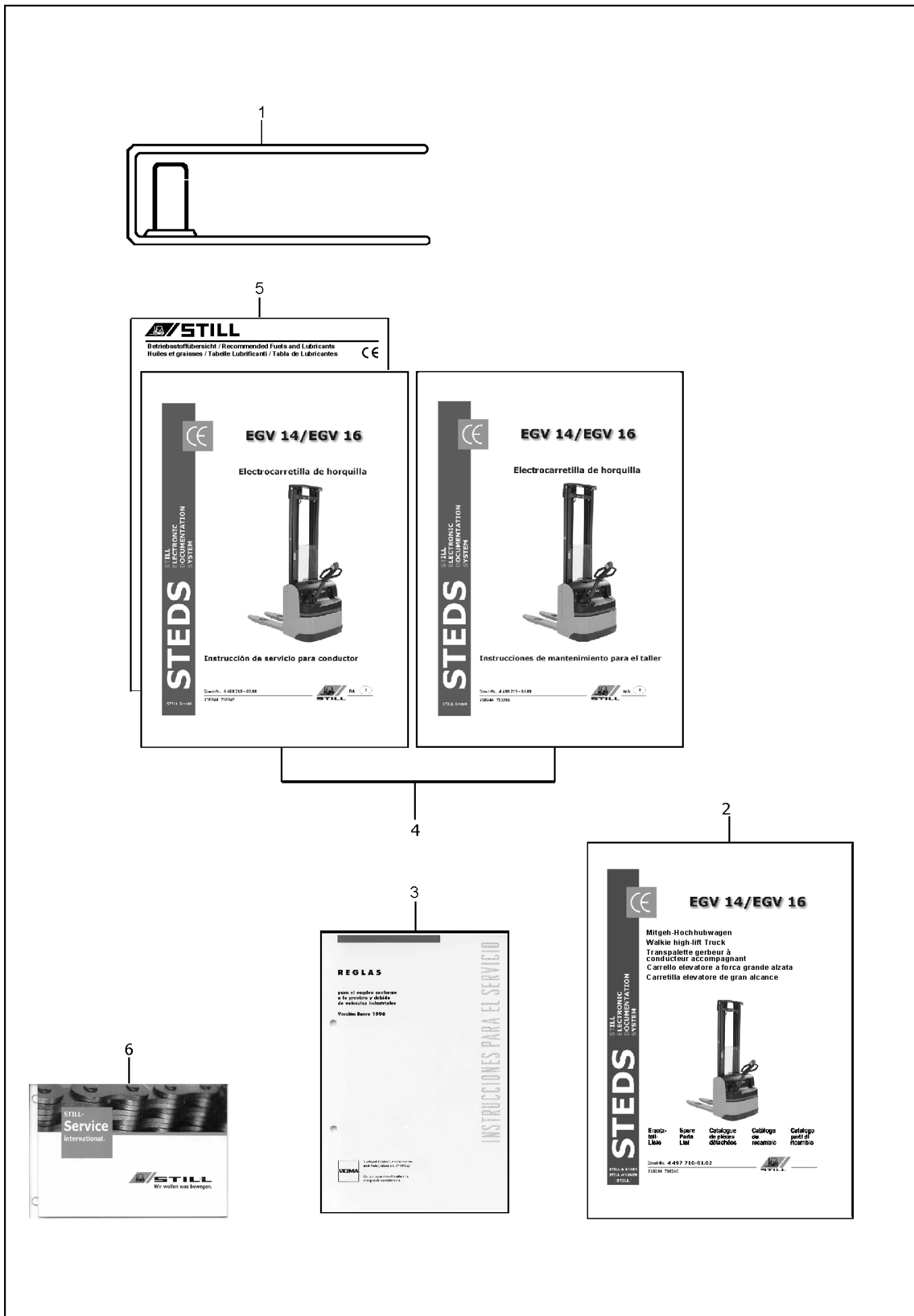
490206

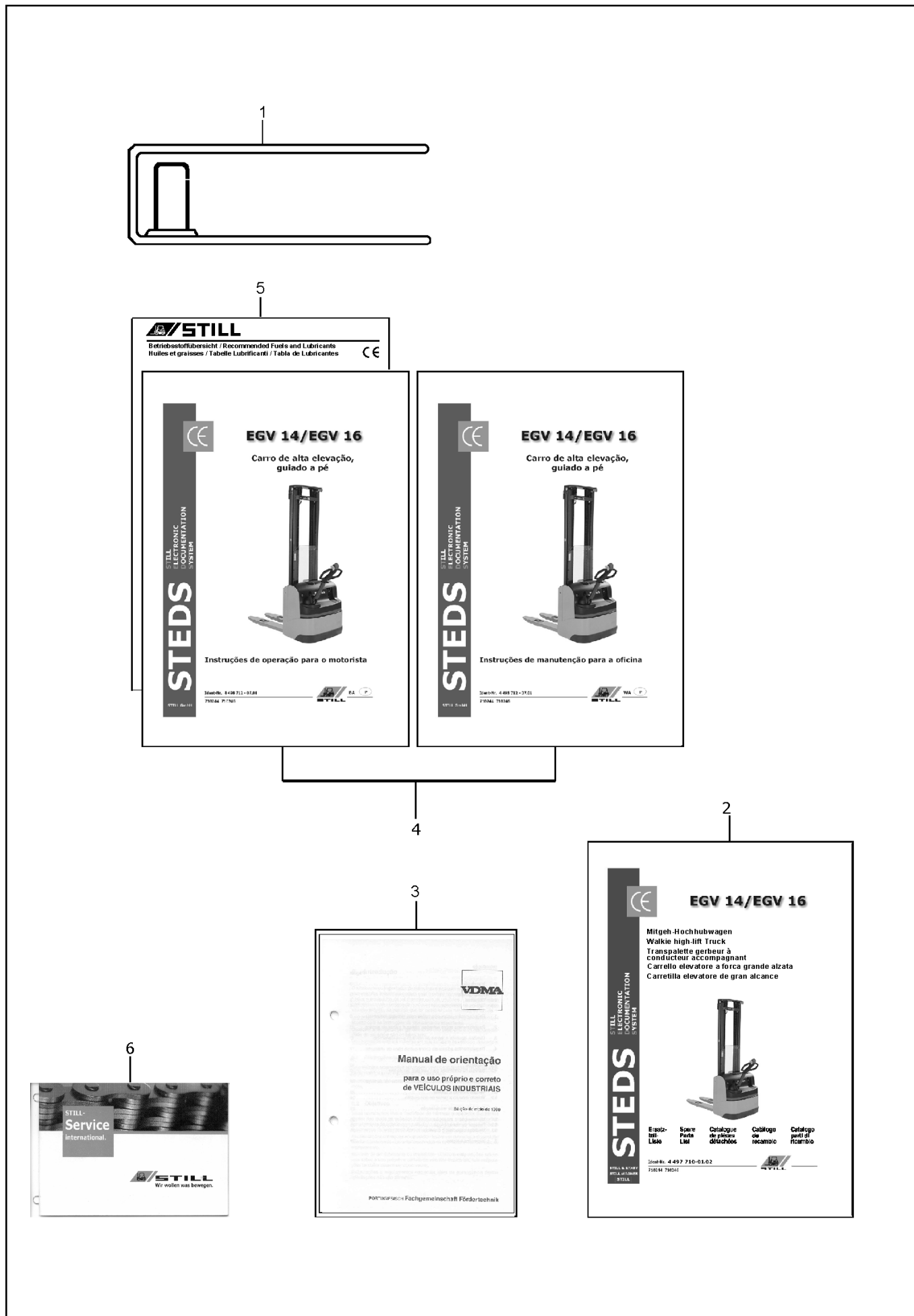


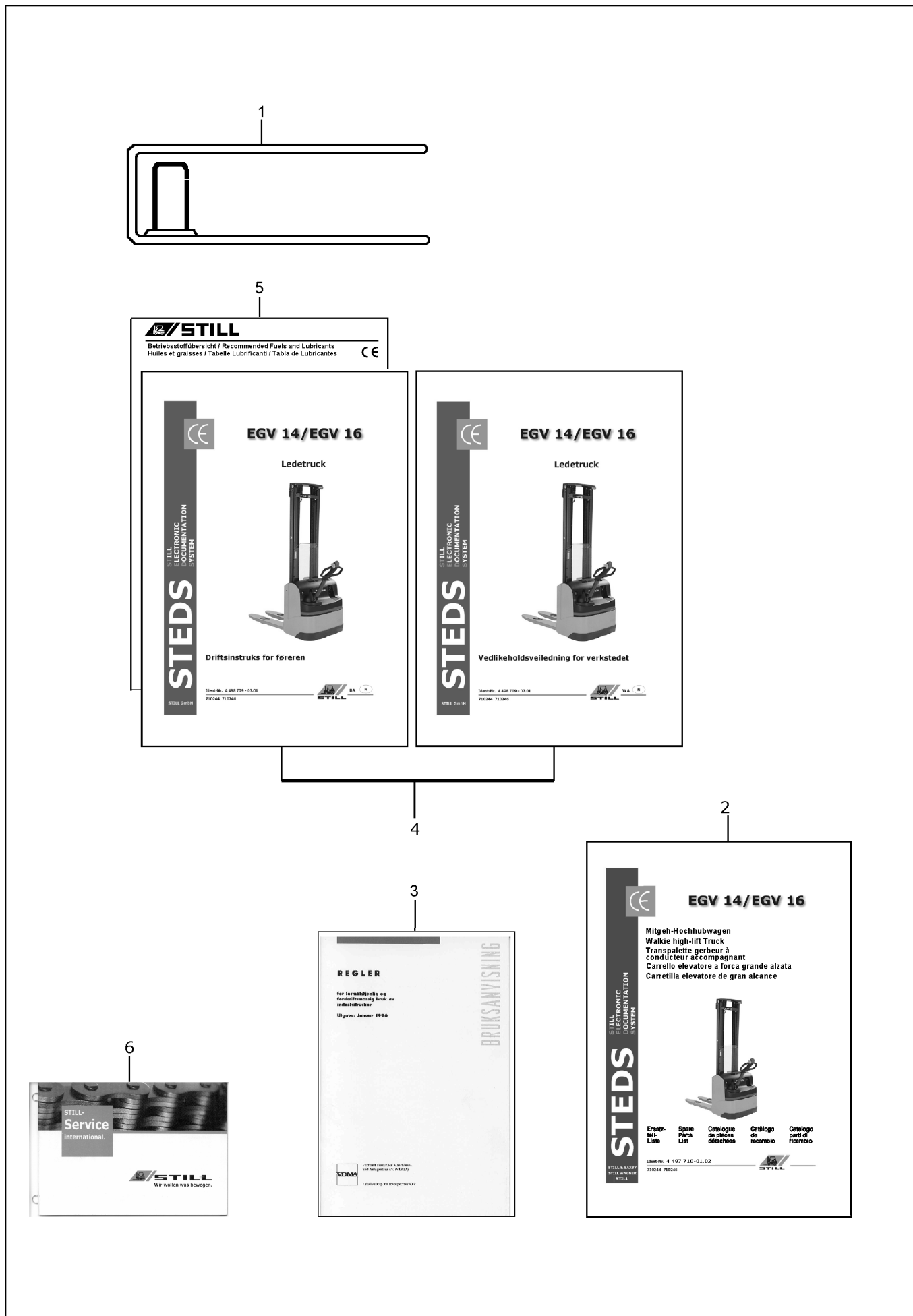








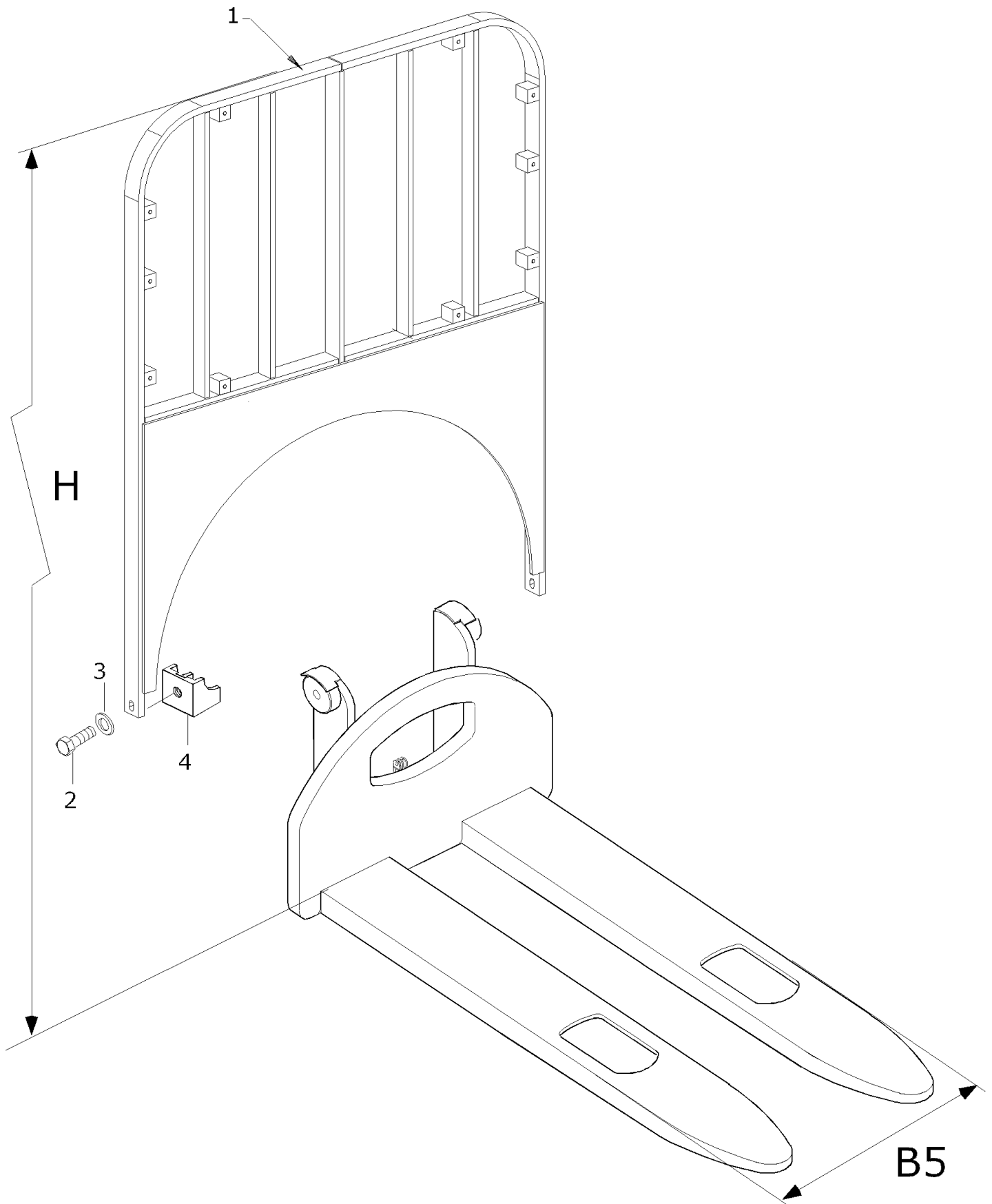




SCREEN GRID

H=800mm / B5=454/524/564mm

EGV 14/16 (0244/0246)

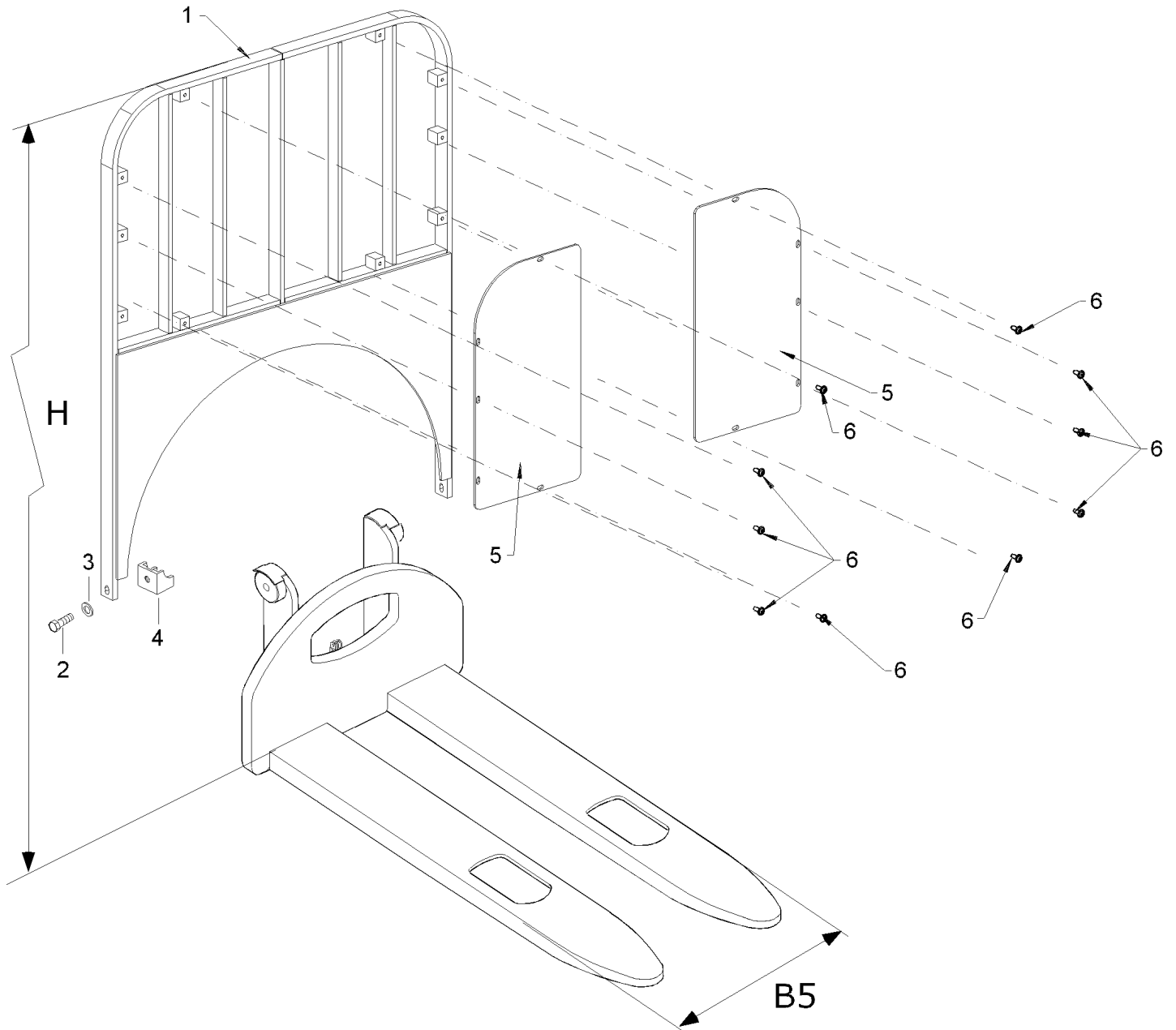


50024307131

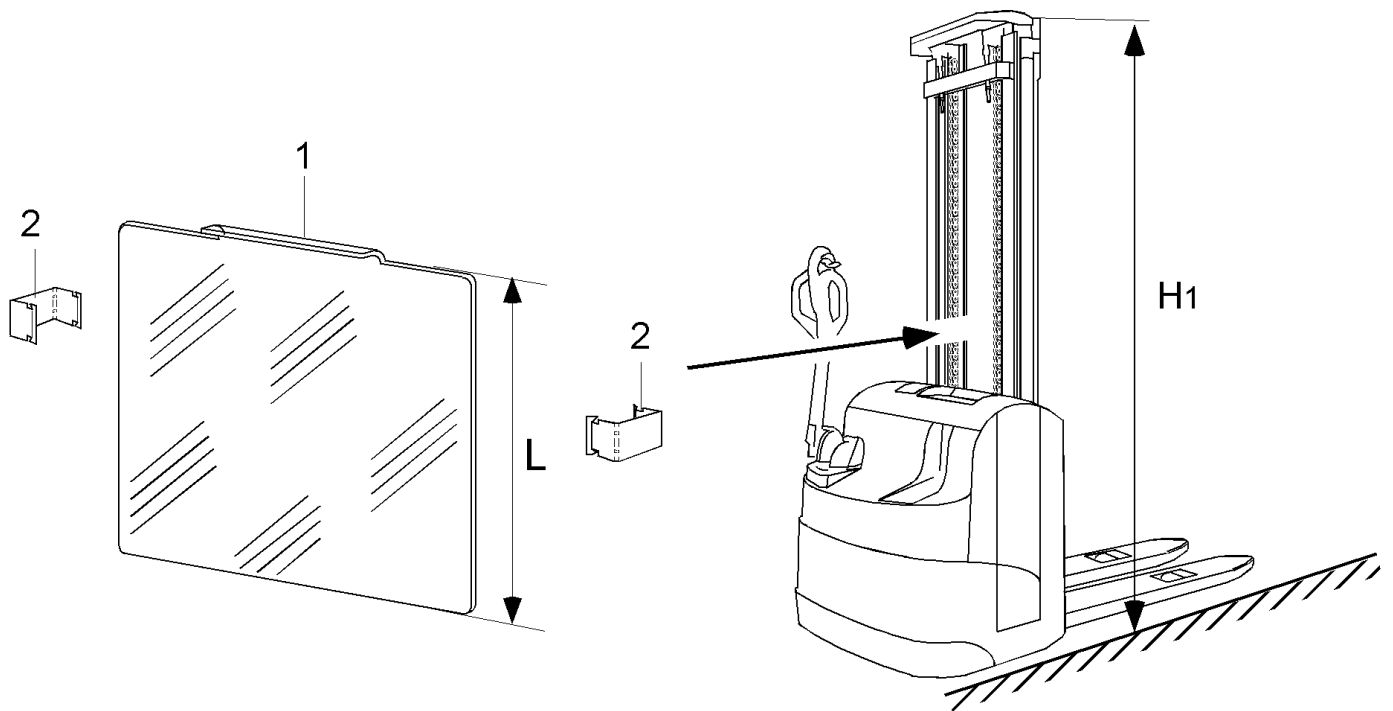
SCREEN GRID

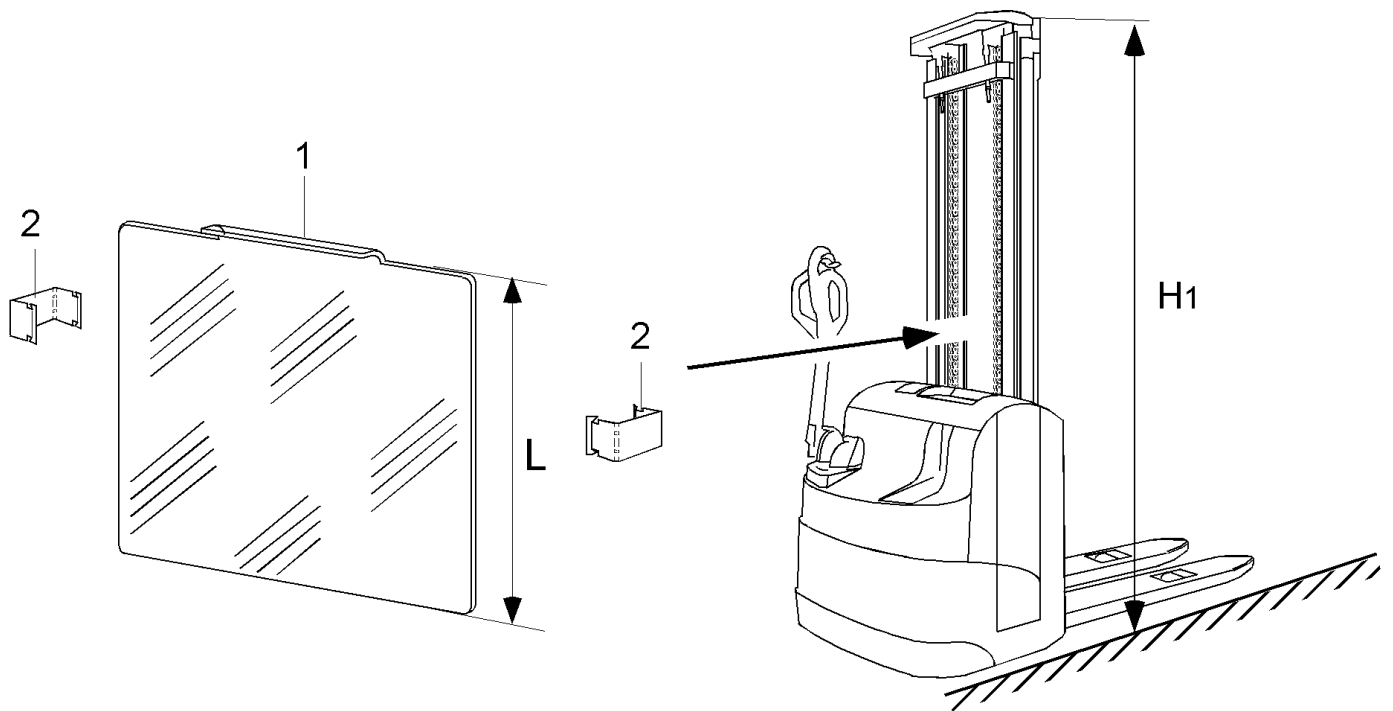
H=800mm / B5=454/524/564mm

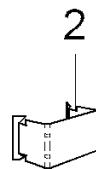
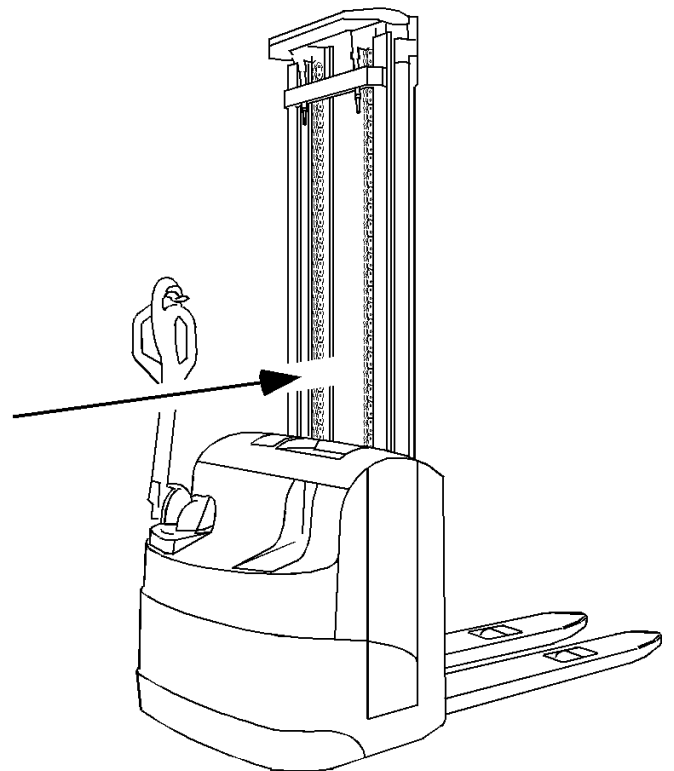
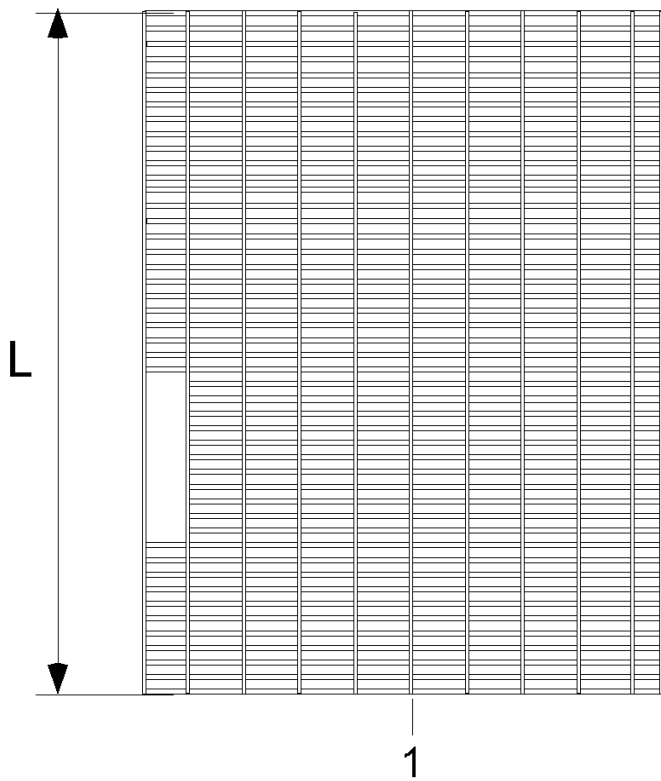
EGV 14/16 (0244/0246)



50024307139-2







474708

**	Page:	32
0009070114	Page:	464, 474, 486, 498
0009070402	Page:	354, 358, 362, 366, 370, 374, 378, 382, 386, 390, 466, 476, 488, 500
0009075020	Page:	398, 408, 418, 428, 438, 448, 462, 484, 496
0009124057	Page:	352, 356, 360, 364, 368, 372, 376, 380, 384, 388, 396, 406, 416, 426, 436, 446, 458, 470, 480, 492, 514, 516, 518
0009147009	Page:	88, 92, 94, 188, 284, 288, 296, 346, 602, 604, 606, 608, 610, 612, 614, 616
0009159016	Page:	464, 474, 486, 498
0009159040	Page:	348
0009162030	Page:	108, 110, 120, 122
0009182204	Page:	138
0009314058	Page:	620, 622, 626, 628, 630, 632, 634, 636, 638, 640, 642, 644, 646, 648
0009384196	Page:	540, 542, 544, 546, 548, 550, 552, 554
0009442491	Page:	352, 356, 360, 364, 368, 372, 376, 380, 384, 388, 396, 406, 416, 426, 436, 446, 460, 472, 482, 494
0009550242	Page:	456, 468, 478, 490
0009552088	Page:	186, 188, 198, 200, 202, 204, 206, 208, 210, 212, 214, 216
0009632333	Page:	400, 402, 410, 412, 418, 420, 422, 428, 430, 432, 438, 440, 442, 448, 450, 452
0009767300	Page:	6
0009768300	Page:	6
0009811809	Page:	10
0009903548	Page:	136, 138
0009903549	Page:	120, 122
0009903550	Page:	132, 134
0009903821	Page:	20
0009903822	Page:	20
0009903823	Page:	20
0009933660	Page:	458, 470, 480, 492
0009933904	Page:	116
0039902353	Page:	20
0039902358	Page:	20
0142947	Page:	346
0143336	Page:	564, 566, 568, 570, 572, 574, 576, 588, 590, 592, 594
0145405	Page:	78
0145730	Page:	578, 580, 582, 584, 586
0146792	Page:	564, 568, 570, 572, 574, 576, 578, 580, 582, 584, 586, 588, 590, 592, 594
0147420	Page:	14, 22, 346, 348
0148837	Page:	566
0149394	Page:	576
0149395	Page:	564, 570
0150618	Page:	566
0155853	Page:	188, 210, 212, 214, 216

4468991	Page:	30
4468992	Page:	30
4468993	Page:	30
4469184	Page:	268
4469210	Page:	198
4469229	Page:	544, 546, 552, 554
4469270	Page:	220, 222, 224
4469280	Page:	528
4469286	Page:	522
4469287	Page:	522
4469288	Page:	522
4469289	Page:	524
4469290	Page:	524
4469292	Page:	526
4469293	Page:	526
4469294	Page:	526
4469360	Page:	32
4469408	Page:	132
4469693	Page:	314
4469960	Page:	28
4470050	Page:	532
4470054	Page:	124
4470376	Page:	28
4470476	Page:	200, 206, 216
4470478	Page:	44, 46, 50, 66, 68, 72
4470479	Page:	40, 44, 56, 60, 66
4470485	Page:	200, 202, 206, 214, 216
4470520	Page:	30
4470521	Page:	28
4470621	Page:	30
4470652	Page:	504
4470670	Page:	48, 64, 70
4470674	Page:	202, 214
4470882	Page:	190
4470891	Page:	28
4470915	Page:	190
4471117	Page:	32
4471215	Page:	360
4471216	Page:	368
4471217	Page:	376
4471218	Page:	456
4471228	Page:	598
4471237	Page:	312
4471247	Page:	638
4471420	Page:	32, 34

CLICK HERE TO **DOWNLOAD** THE COMPLETE MANUAL

- Thank you very much for reading the preview of the manual.
- You can download the complete manual from: www.heydownloads.com by clicking the link below



- Please note: If there is no response to CLICKING the link, please download this PDF first and then click on it.

CLICK HERE TO **DOWNLOAD** THE COMPLETE MANUAL