



EGU-H

Elektro - Deichsel - Hubwagen
Electric Pallet Truck
Transpalette électrique
Carrello a forche elettrico
Electrocarretilla de horquilla



Ersatz-
teil-
Liste

Spare
Parts
List

Catalogue
de pièces
détachées

Catalogo
parti di
ricambio

Catálogo
de
recambio

Ident-Nr. 4 497 655 - 08.05

71 02010 00100



STILL
ELECTRONIC
DOCUMENTATION
SYSTEM

STEDS

STILL

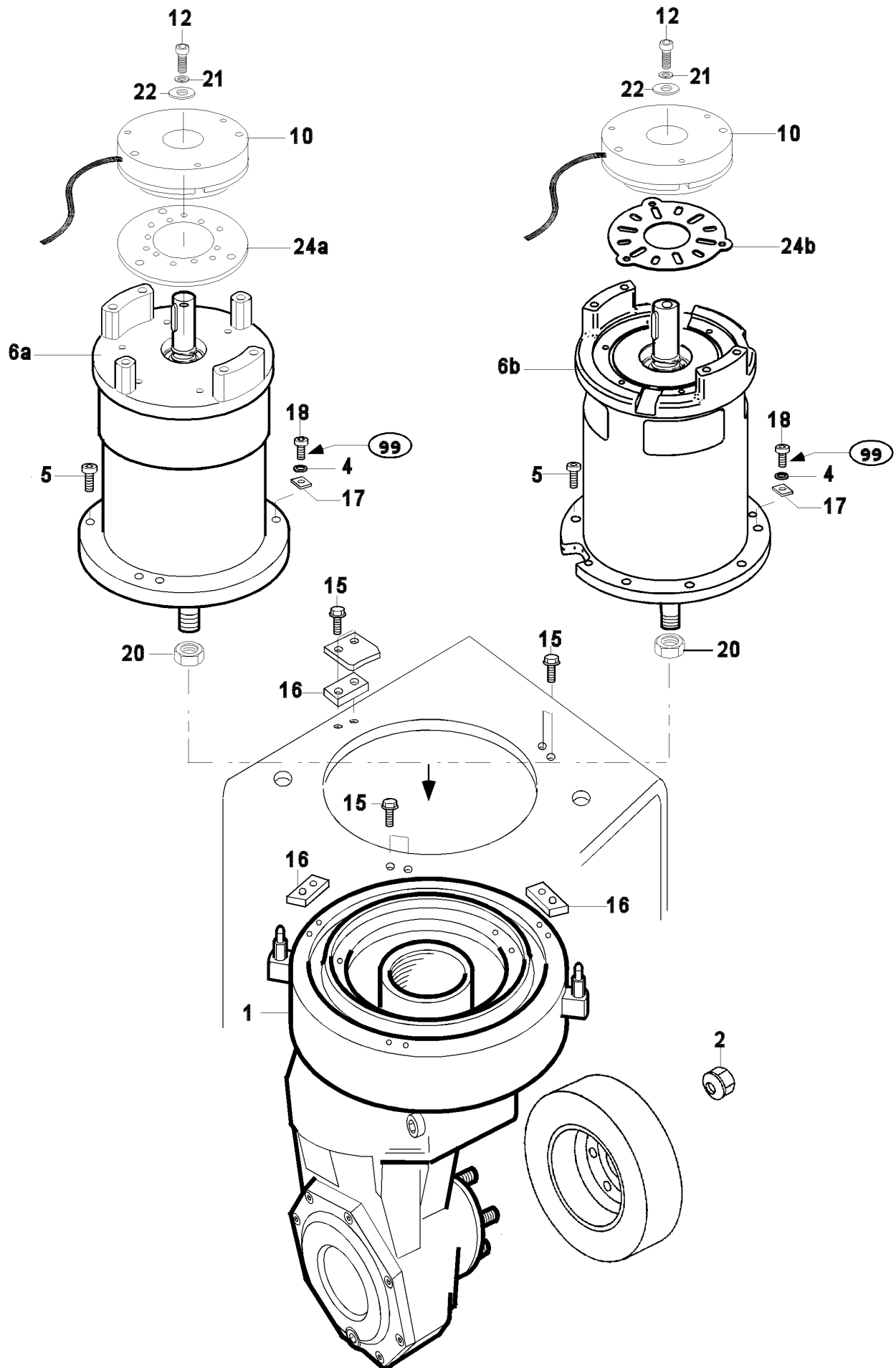
CLICK HERE TO **DOWNLOAD** THE COMPLETE MANUAL

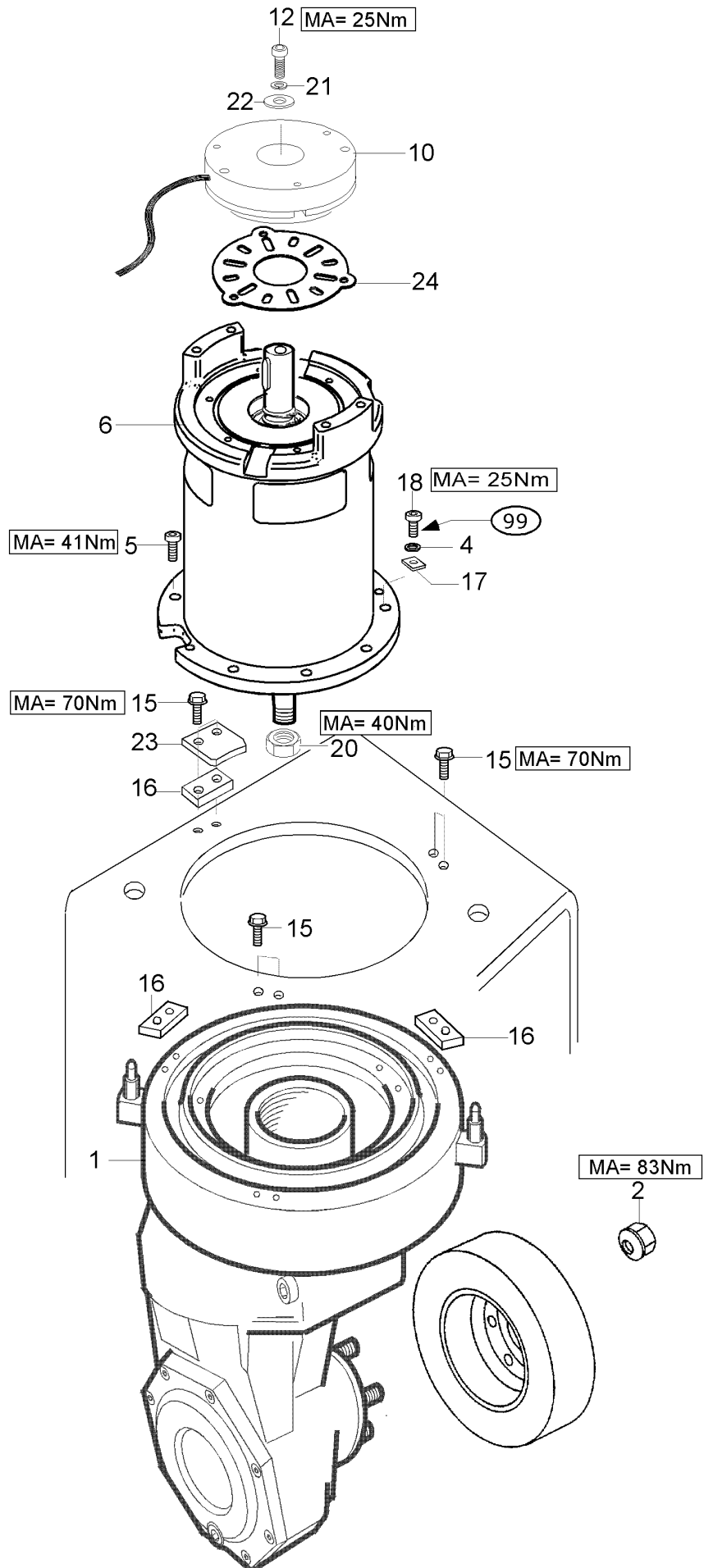
- Thank you very much for reading the preview of the manual.
- You can download the complete manual from: www.heydownloads.com by clicking the link below

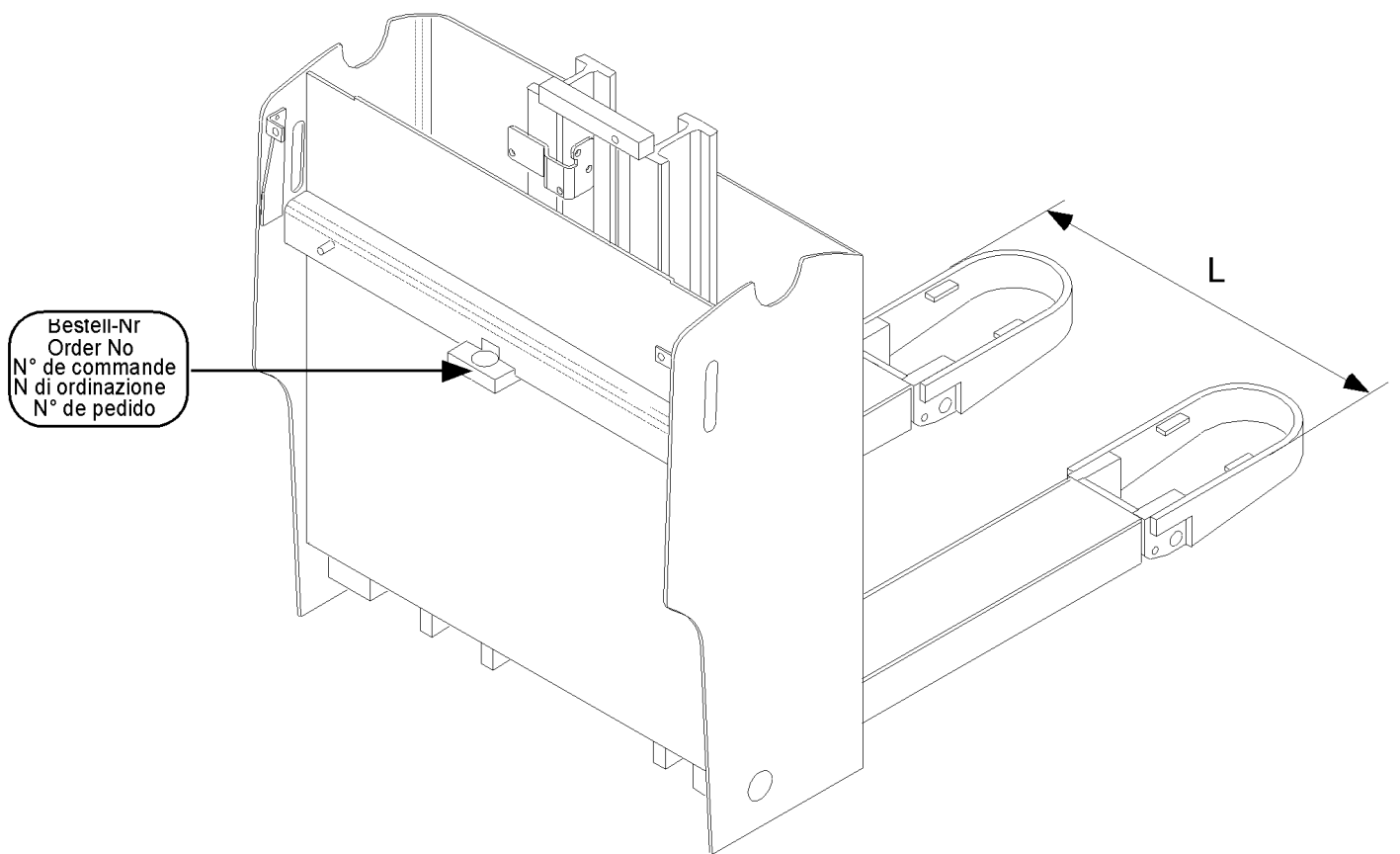


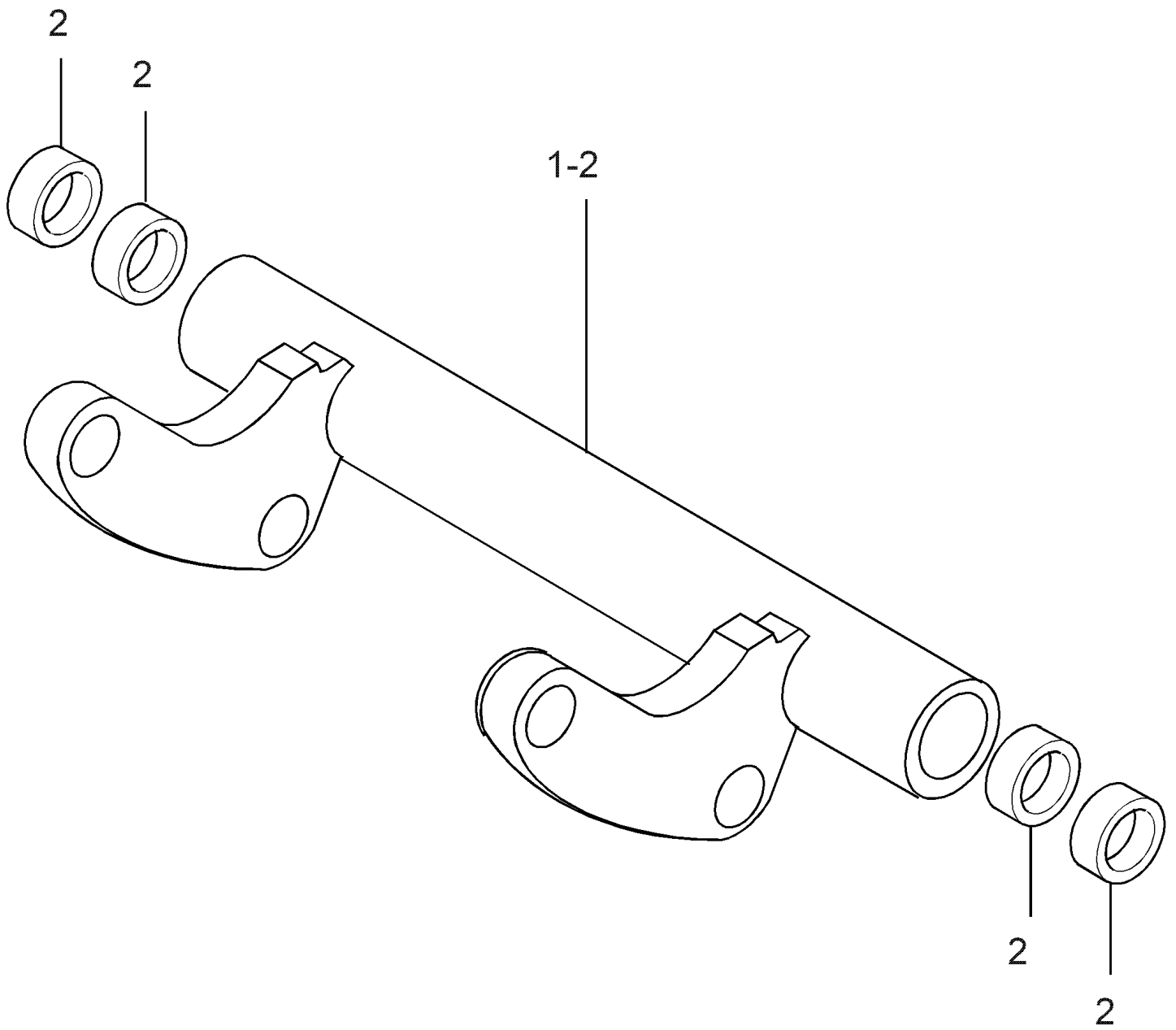
- Please note: If there is no response to CLICKING the link, please download this PDF first and then click on it.

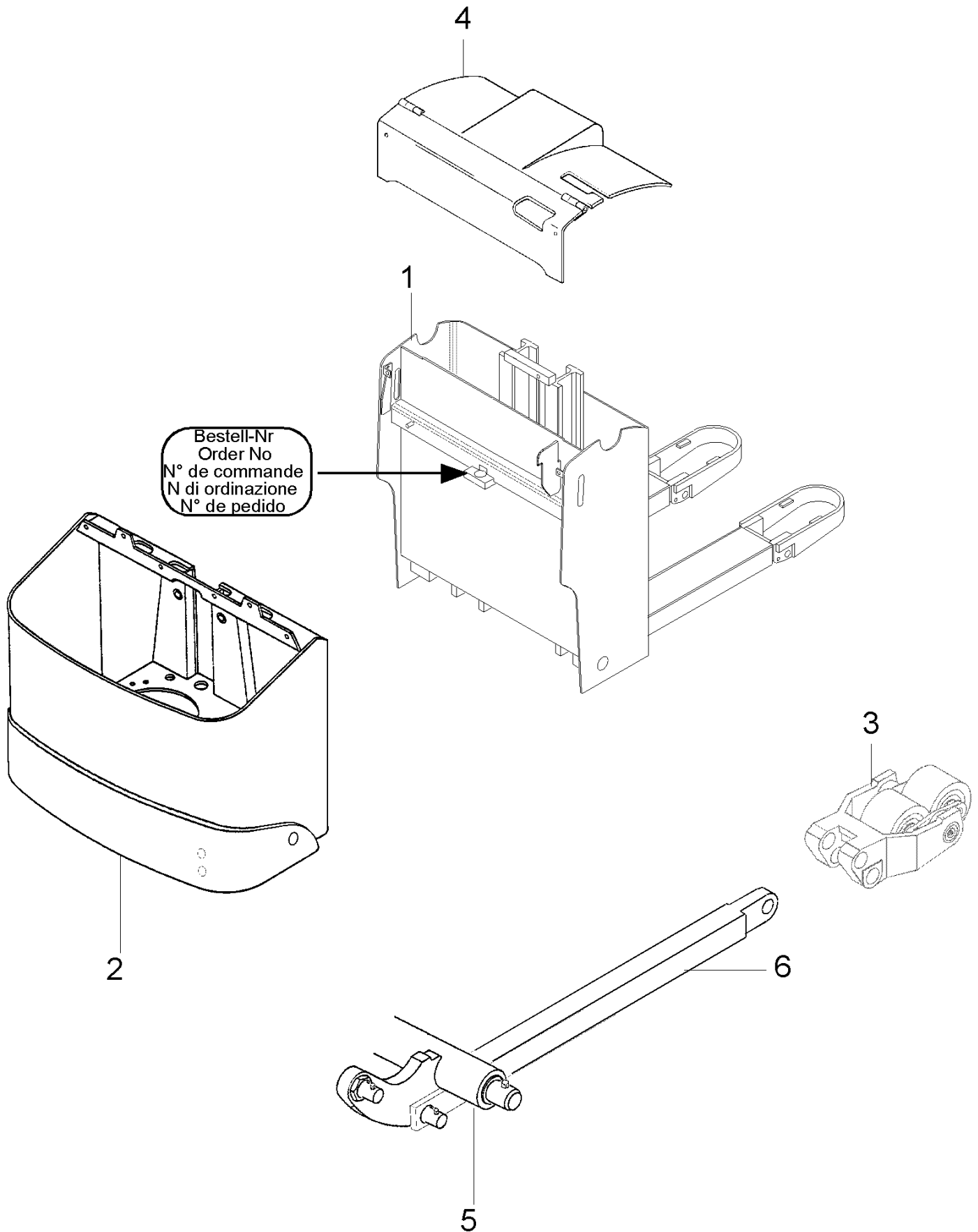
CLICK HERE TO **DOWNLOAD** THE COMPLETE MANUAL

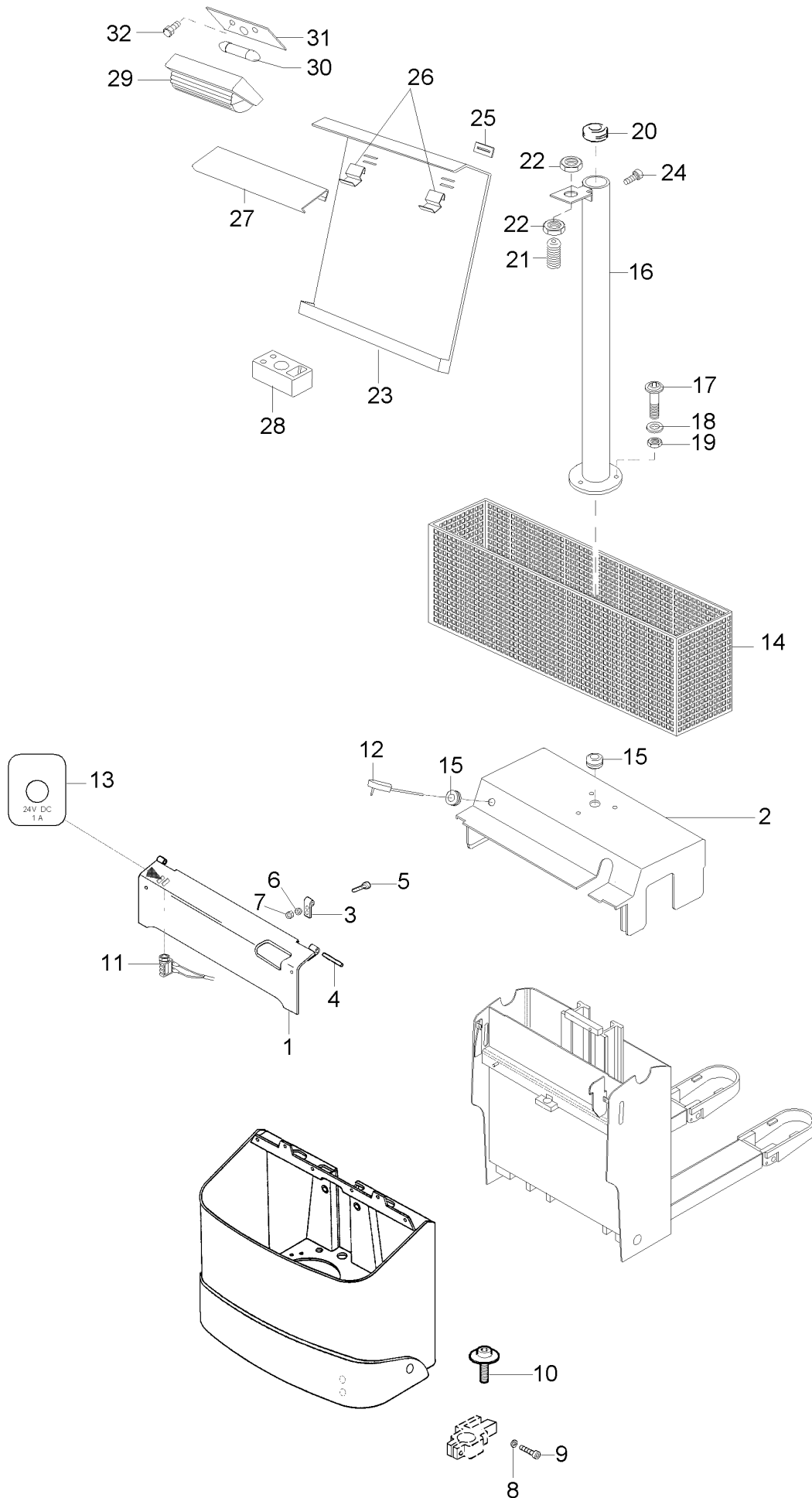


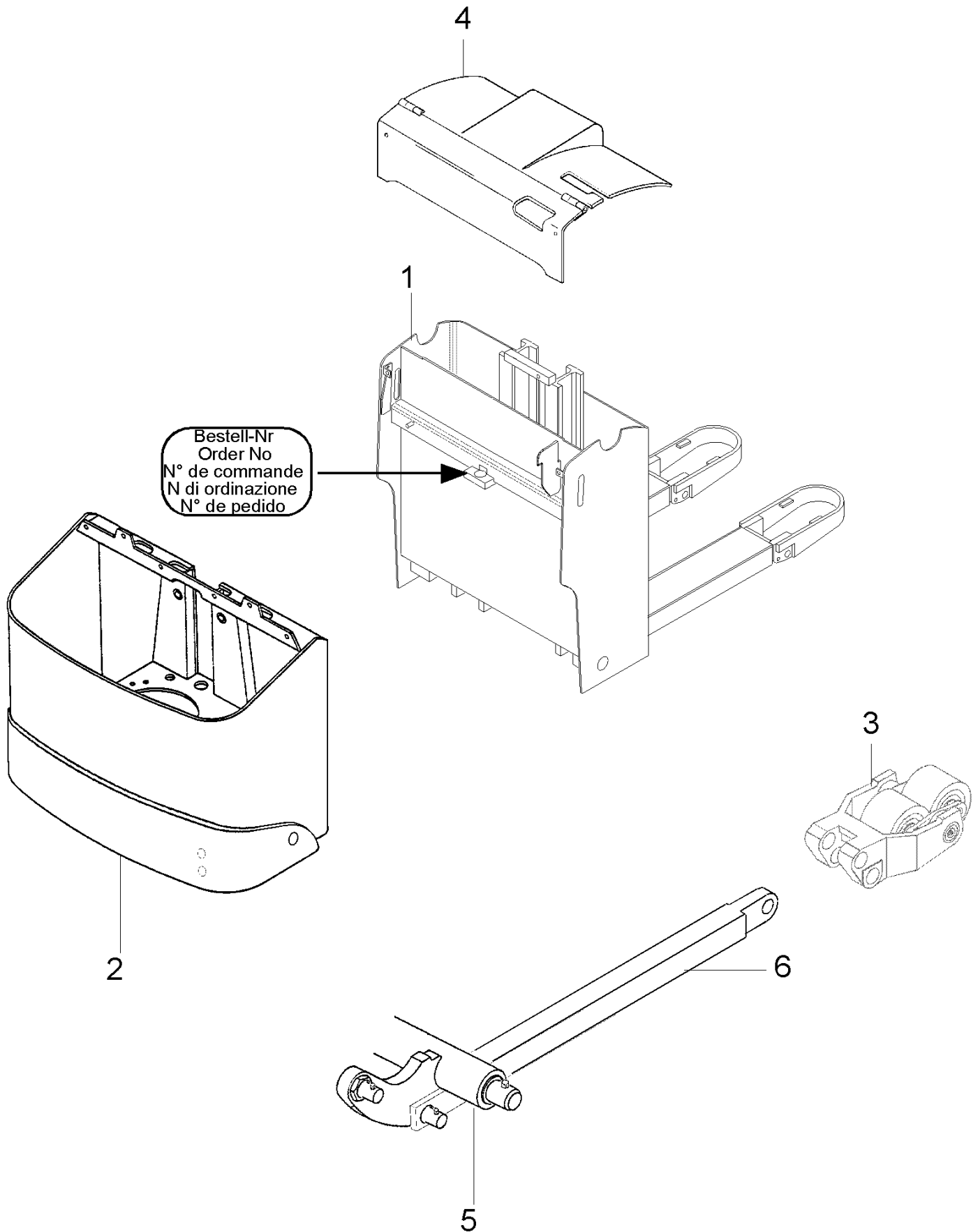




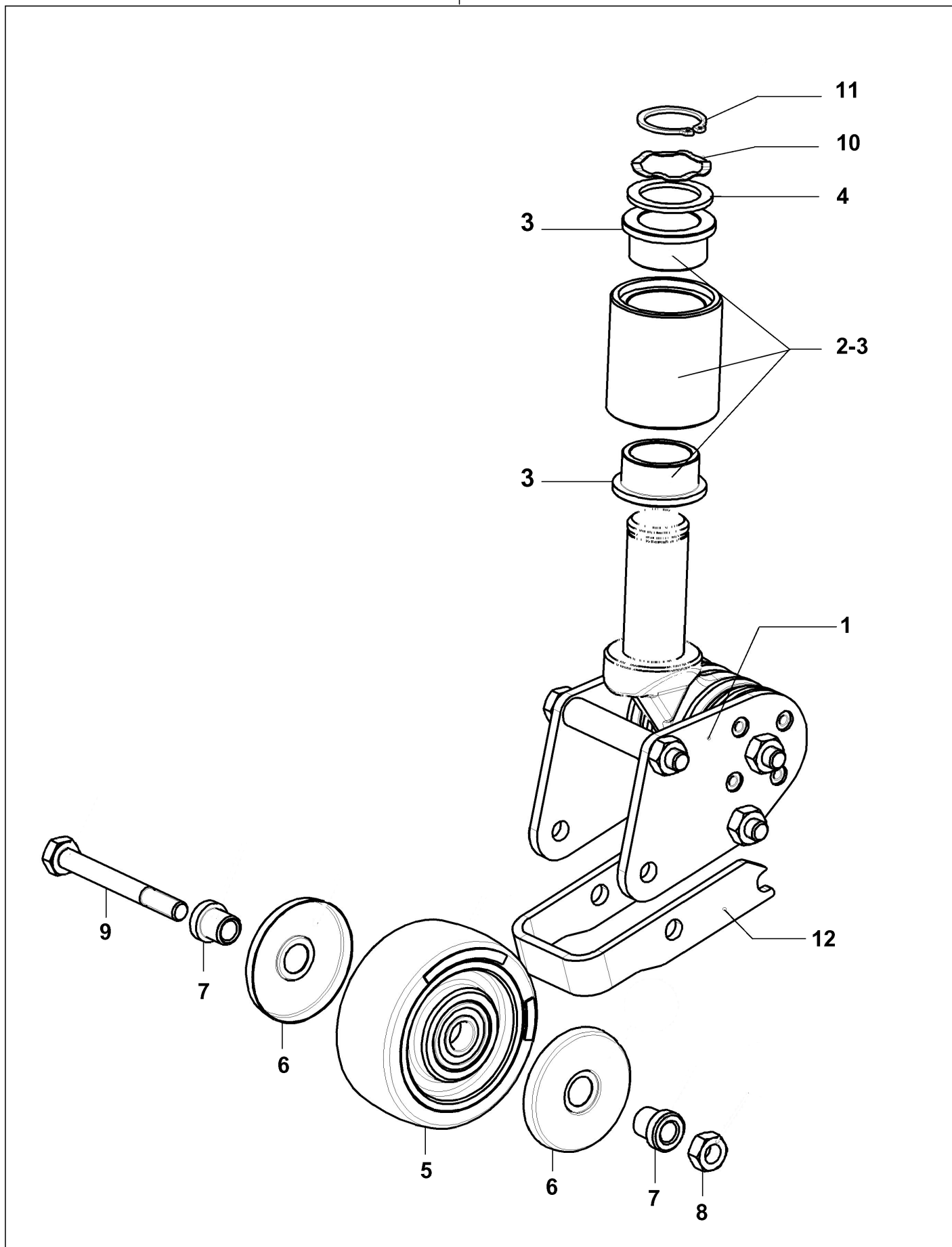


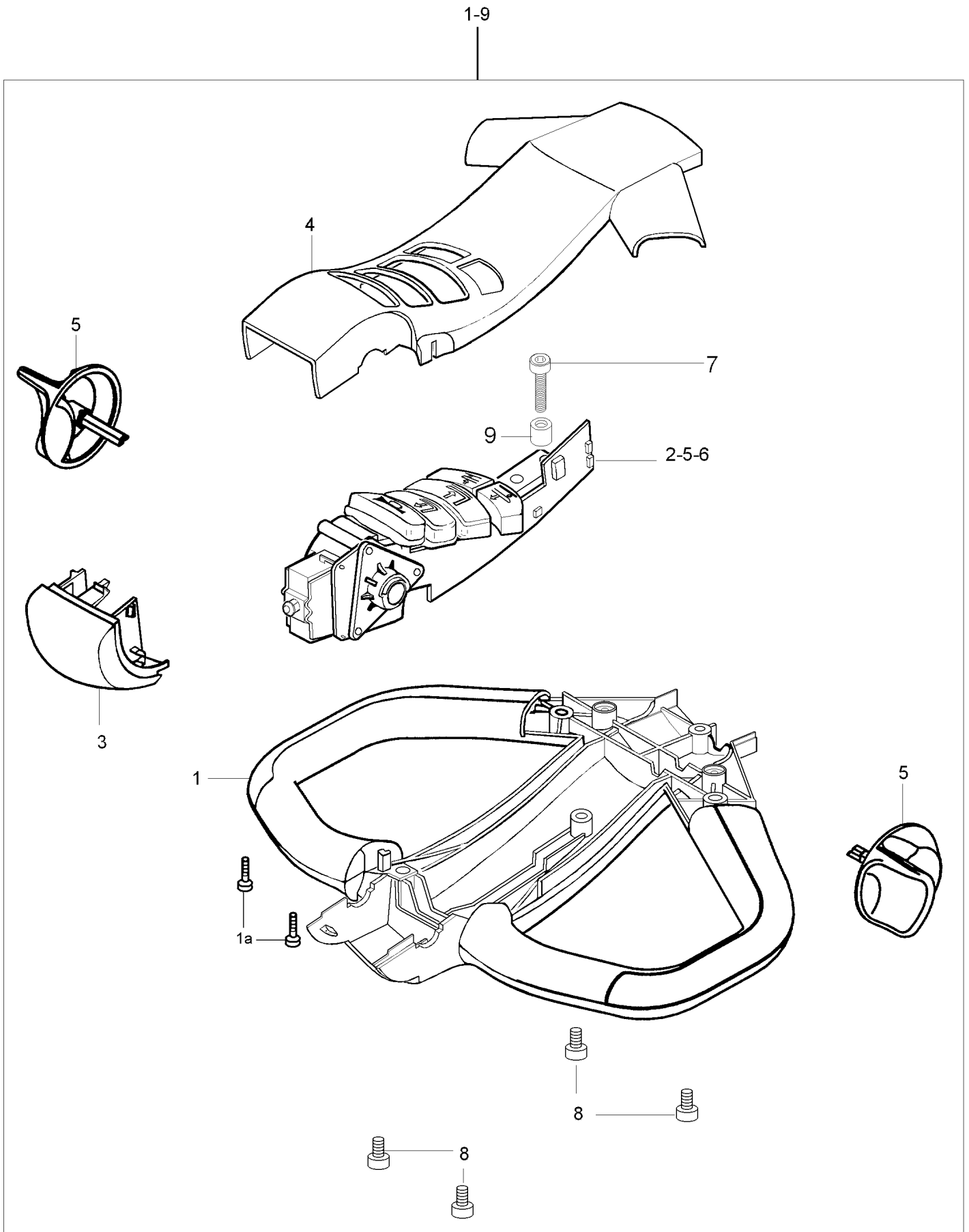




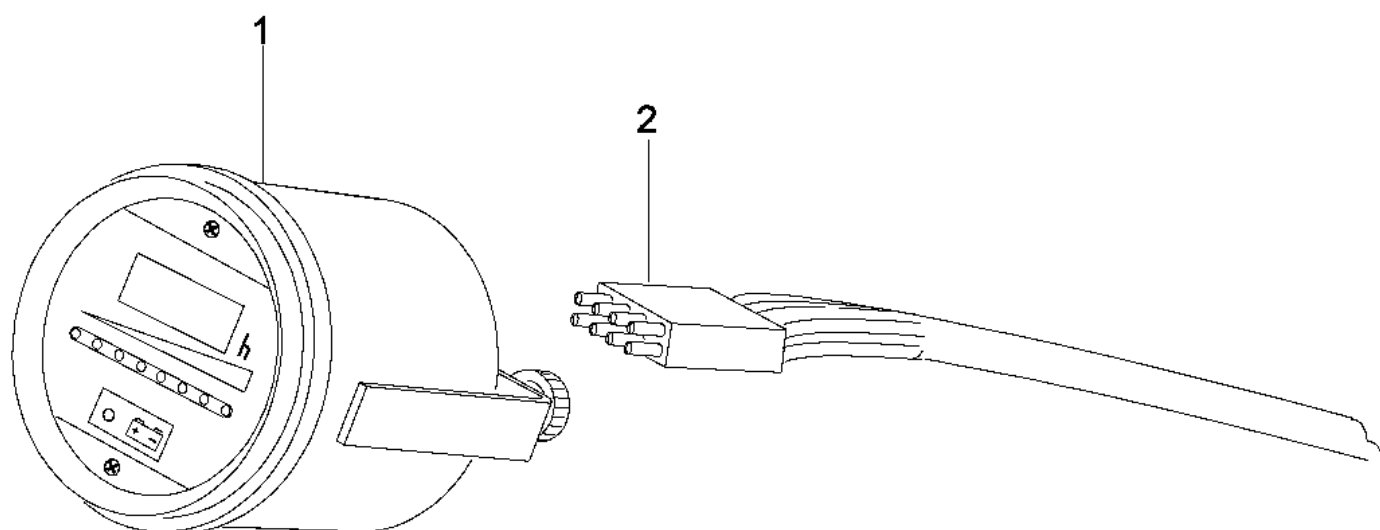


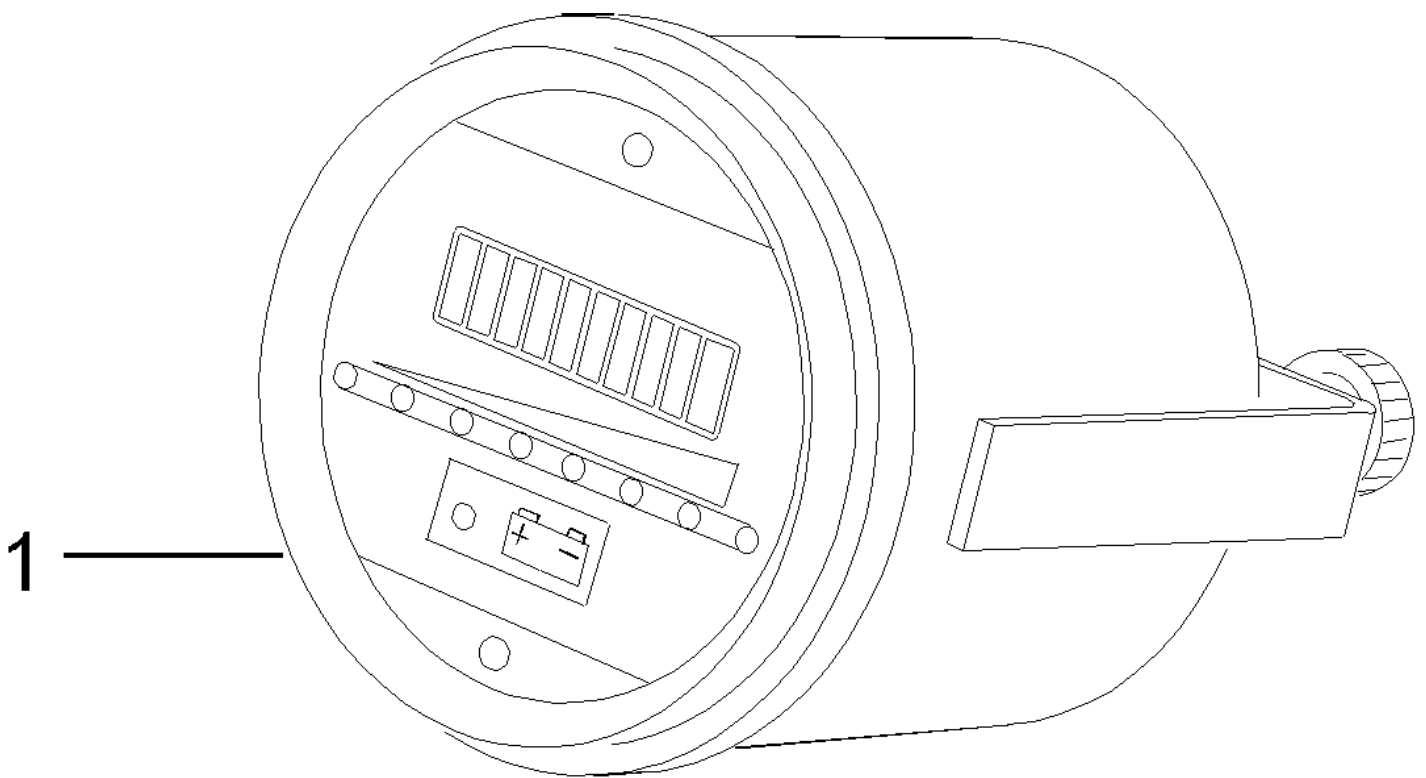
1-12





479049





466102

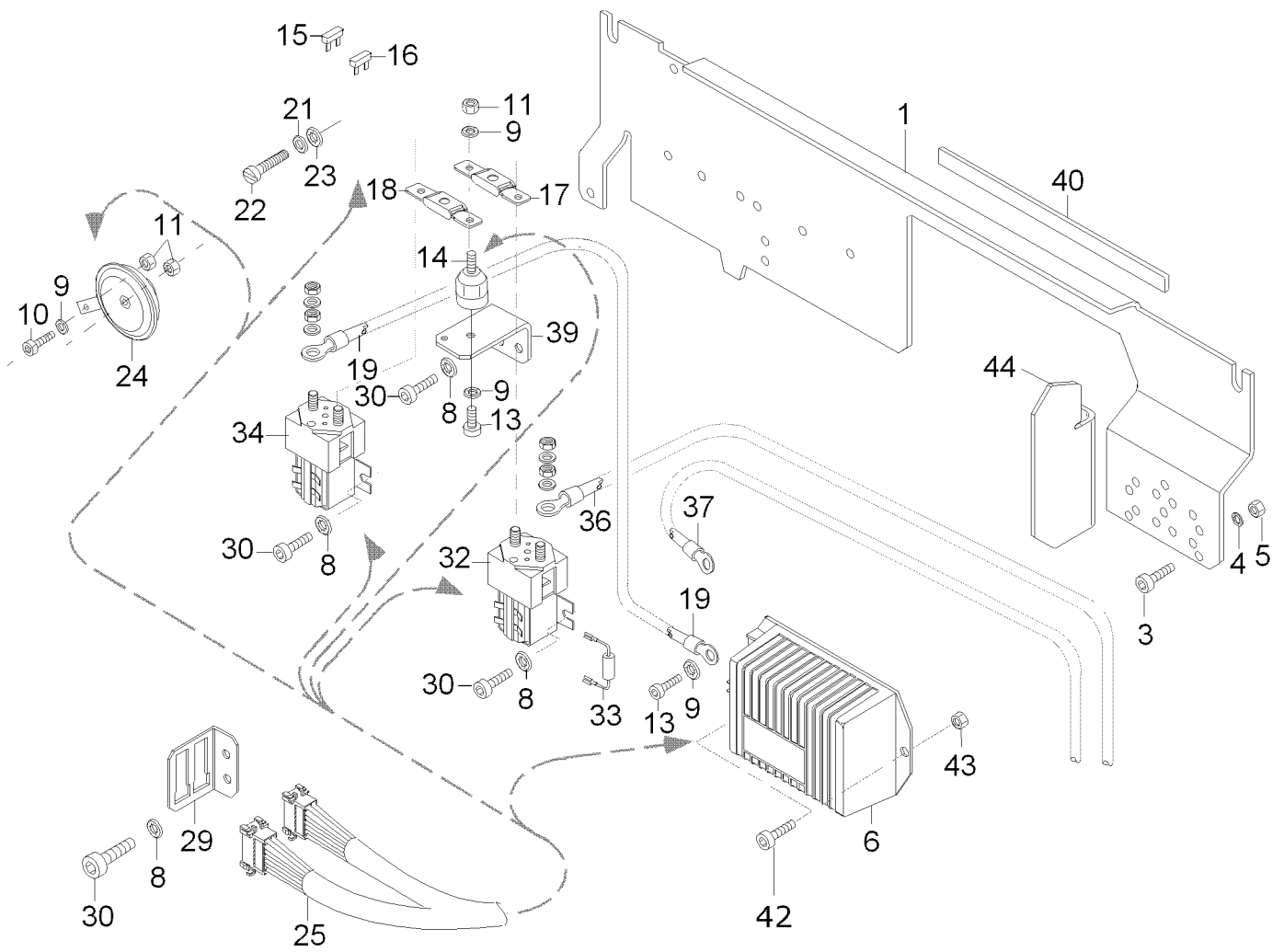
CLICK HERE TO **DOWNLOAD** THE COMPLETE MANUAL

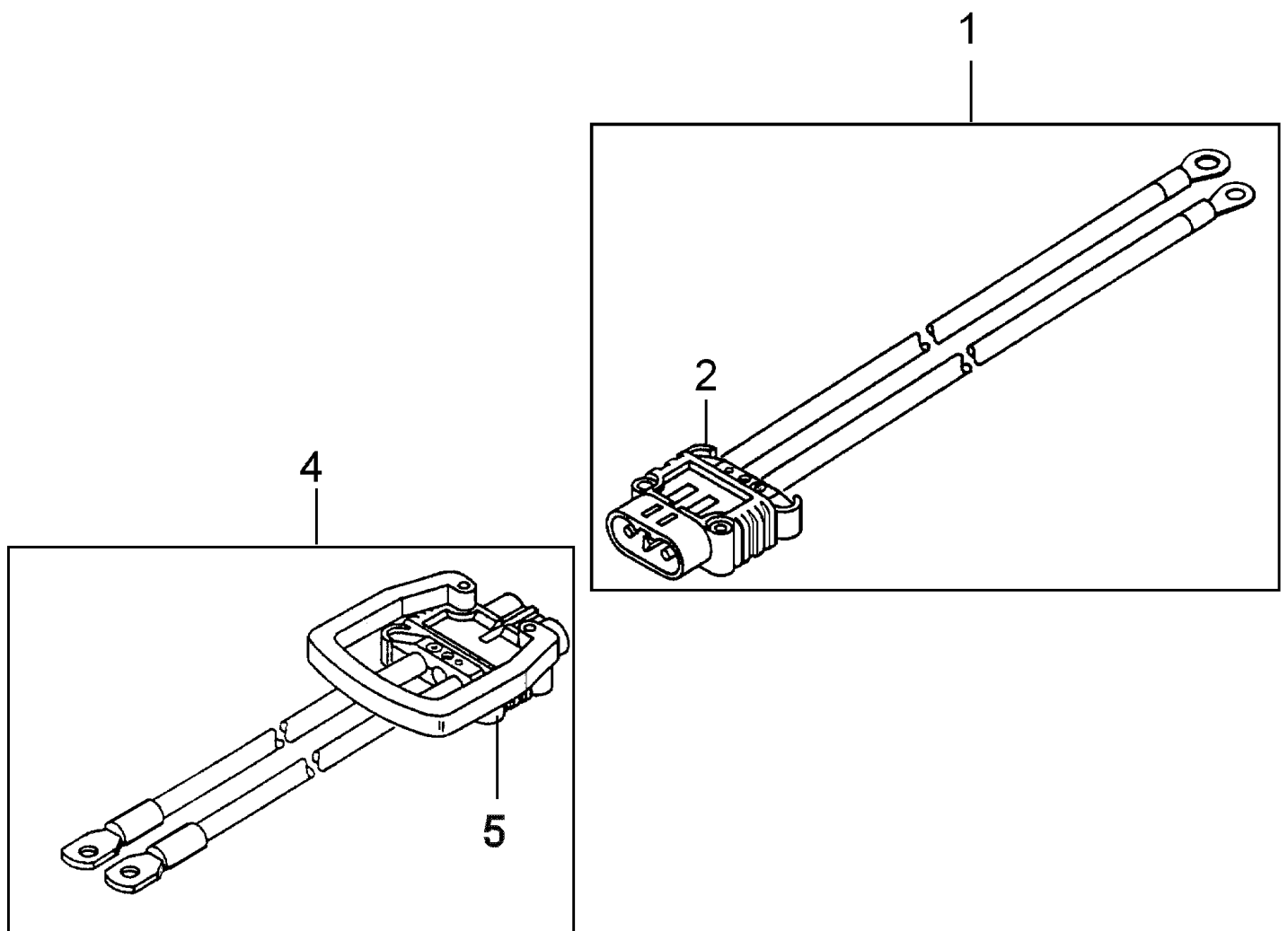
- Thank you very much for reading the preview of the manual.
- You can download the complete manual from: www.heydownloads.com by clicking the link below

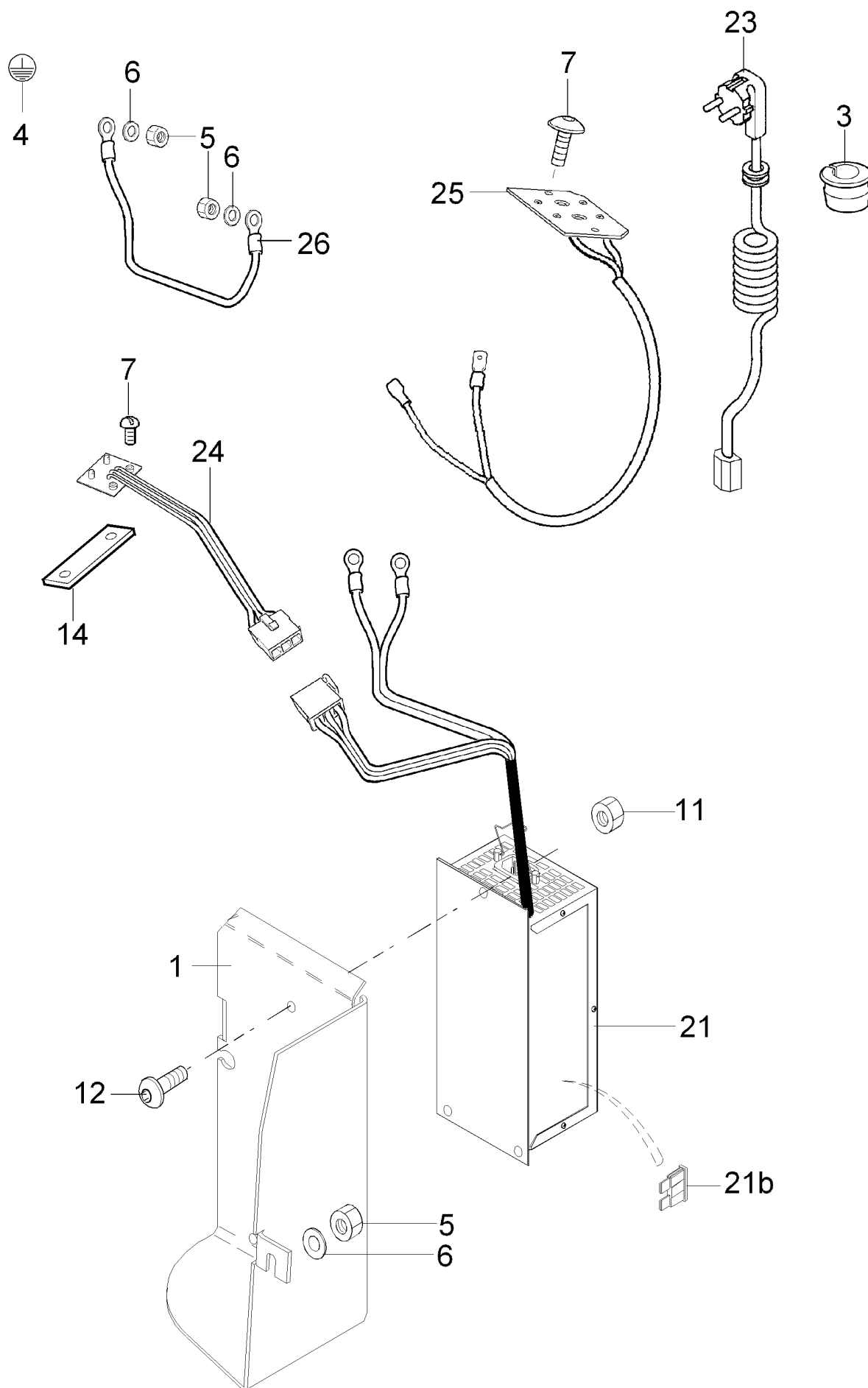


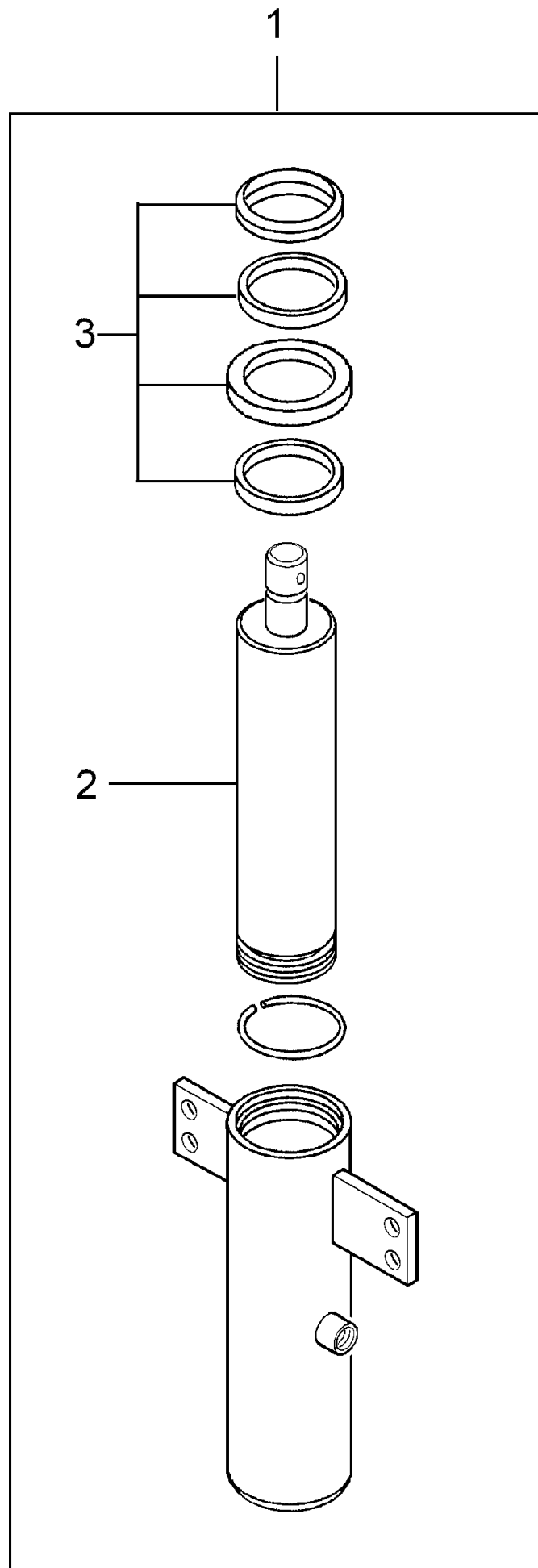
- Please note: If there is no response to CLICKING the link, please download this PDF first and then click on it.

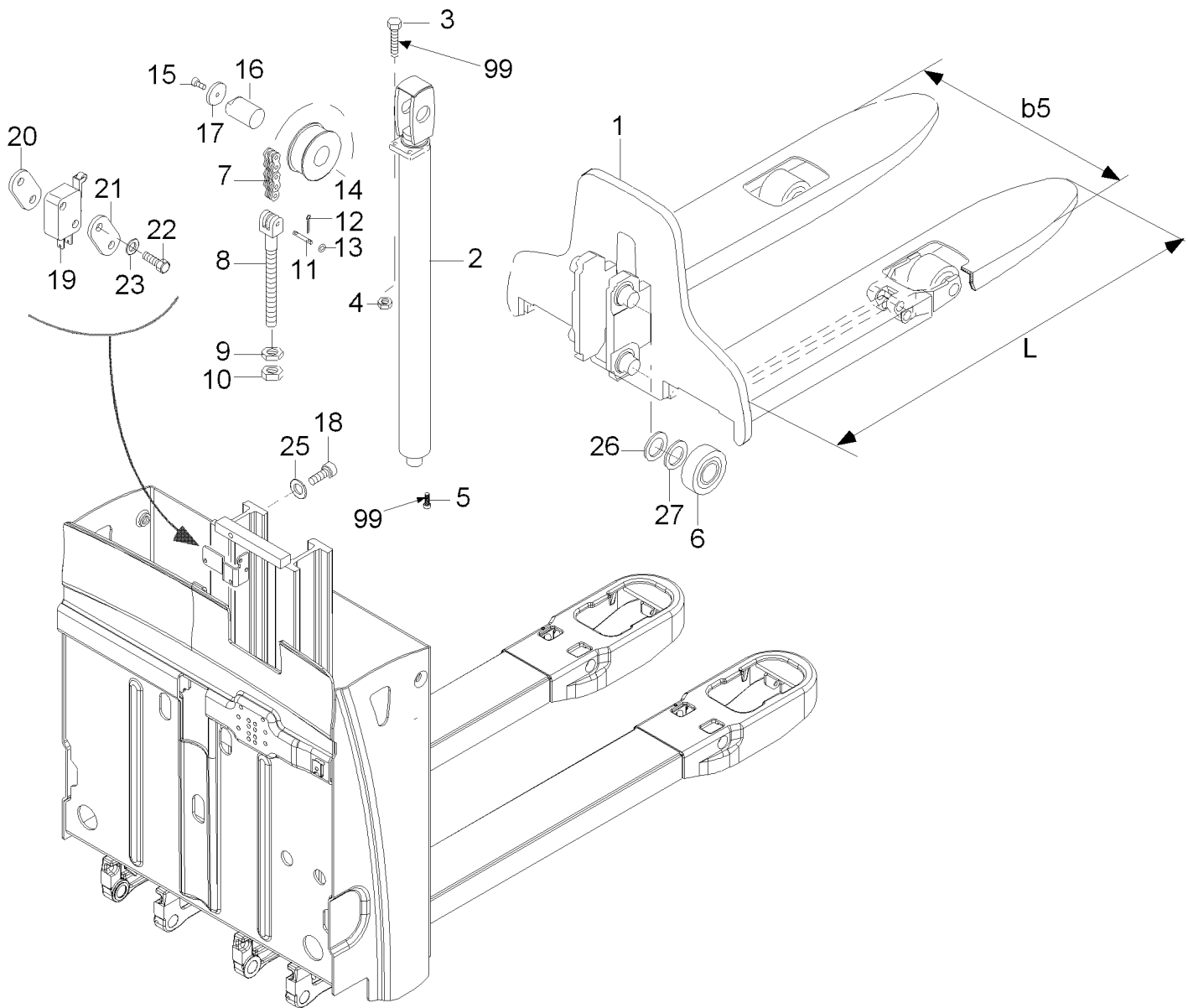
CLICK HERE TO **DOWNLOAD** THE COMPLETE MANUAL

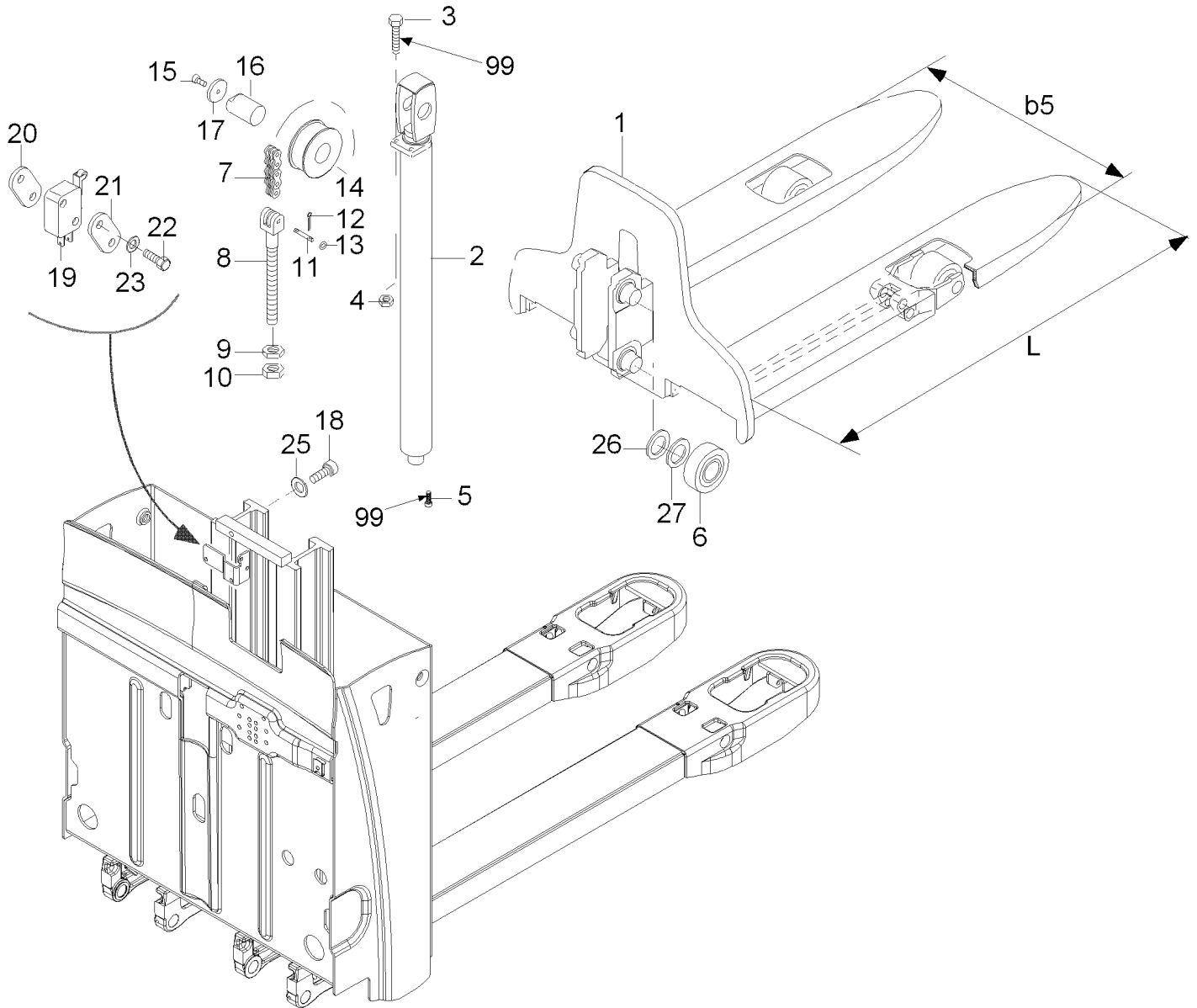


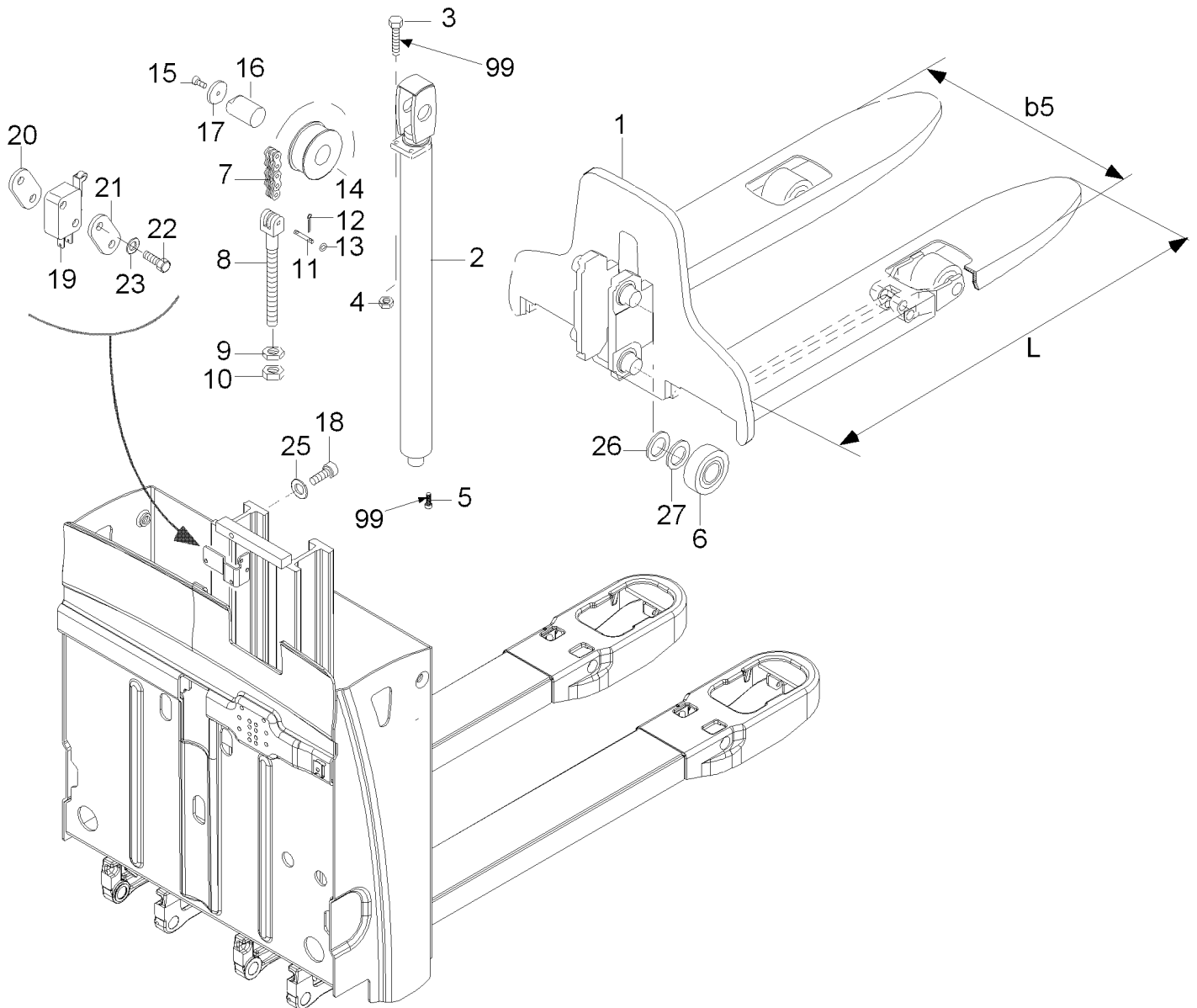




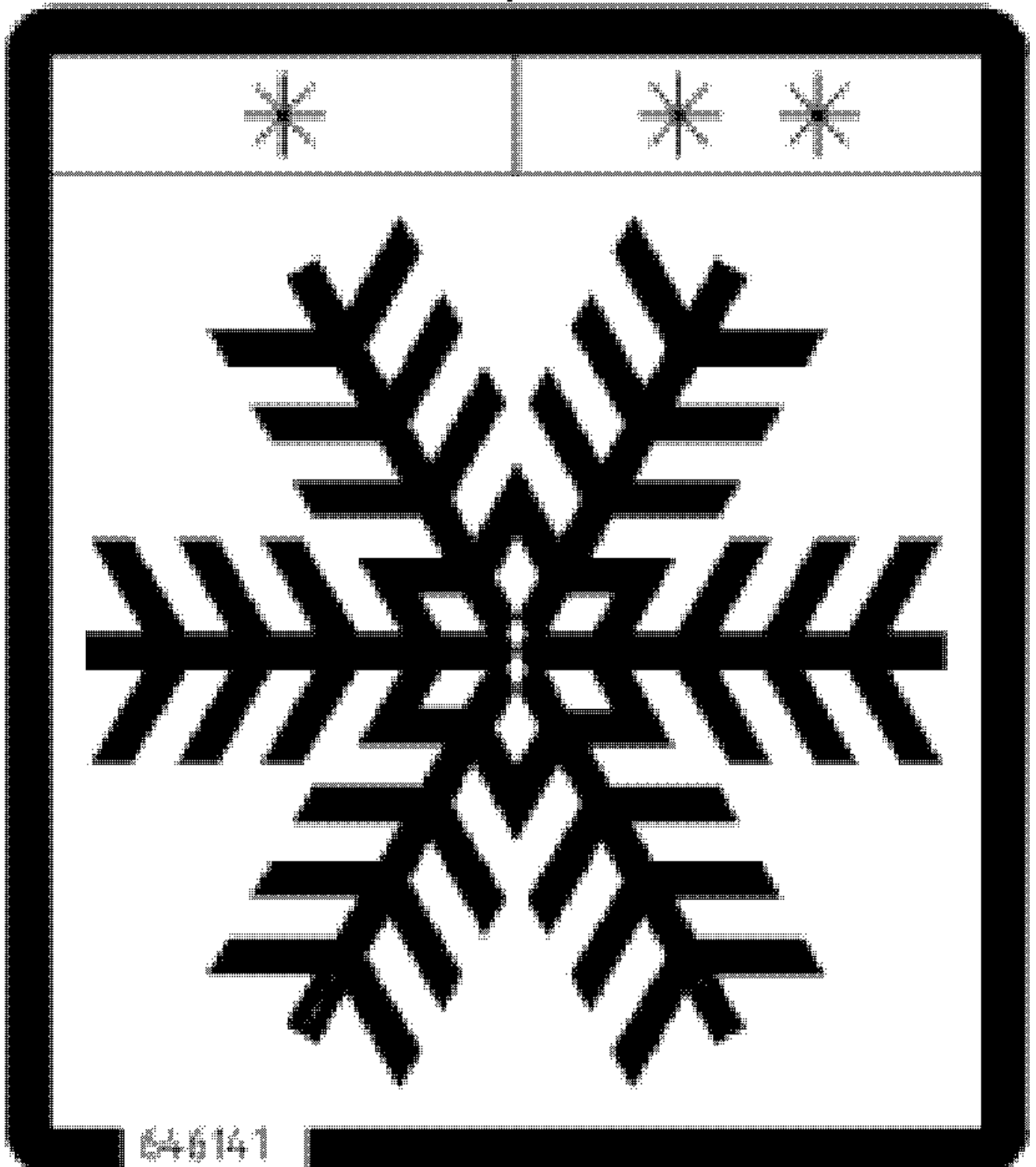


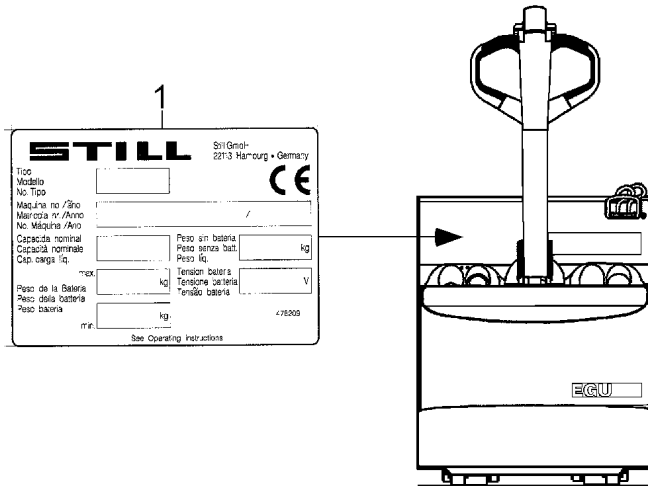






1





STILL Still GmbH - 22113 Hamburg - Germany

Tipo: **CE**

Modello:

No. Tipo:

Macchina no / Anno: /

Marceca n° / Anno: /

No. Macchina / Anno: /

Capacità nominal: kg

Capacità nominal: kg

Cap. carga liq.: l

Peso sin batería: kg

Peso senza batt.: kg

Peso kg:

Tensione batteria: V

Tensão bateria: V

Peso da la batería: kg

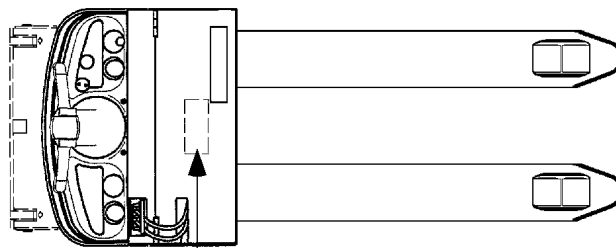
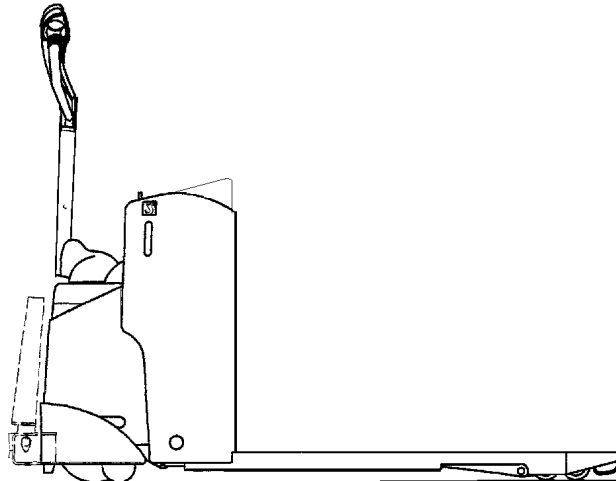
Peso della batteria: kg

Peso batería: kg

476256

476256

See Operating Instructions



ATENCIÓN / ATTENTION / ATENÇÃO / DATOS DE LA BATERÍA / DATI BATTERIA / DADOS DA BATERIA

5-19081

Completar antes de montar la batería / da compilare prima del montaggio della batteria / preencher antes de montar a bateria

Capacidad de la batería: Ah

Capacità: Ah

Capacidade da bateria V: Ah

Peso de la batería: kg

Peso batteria: kg

Peso da bateria: kg

Marca:

Caratteristiche:

Fabbricador:

Bandeja n°:

No. recipiente:

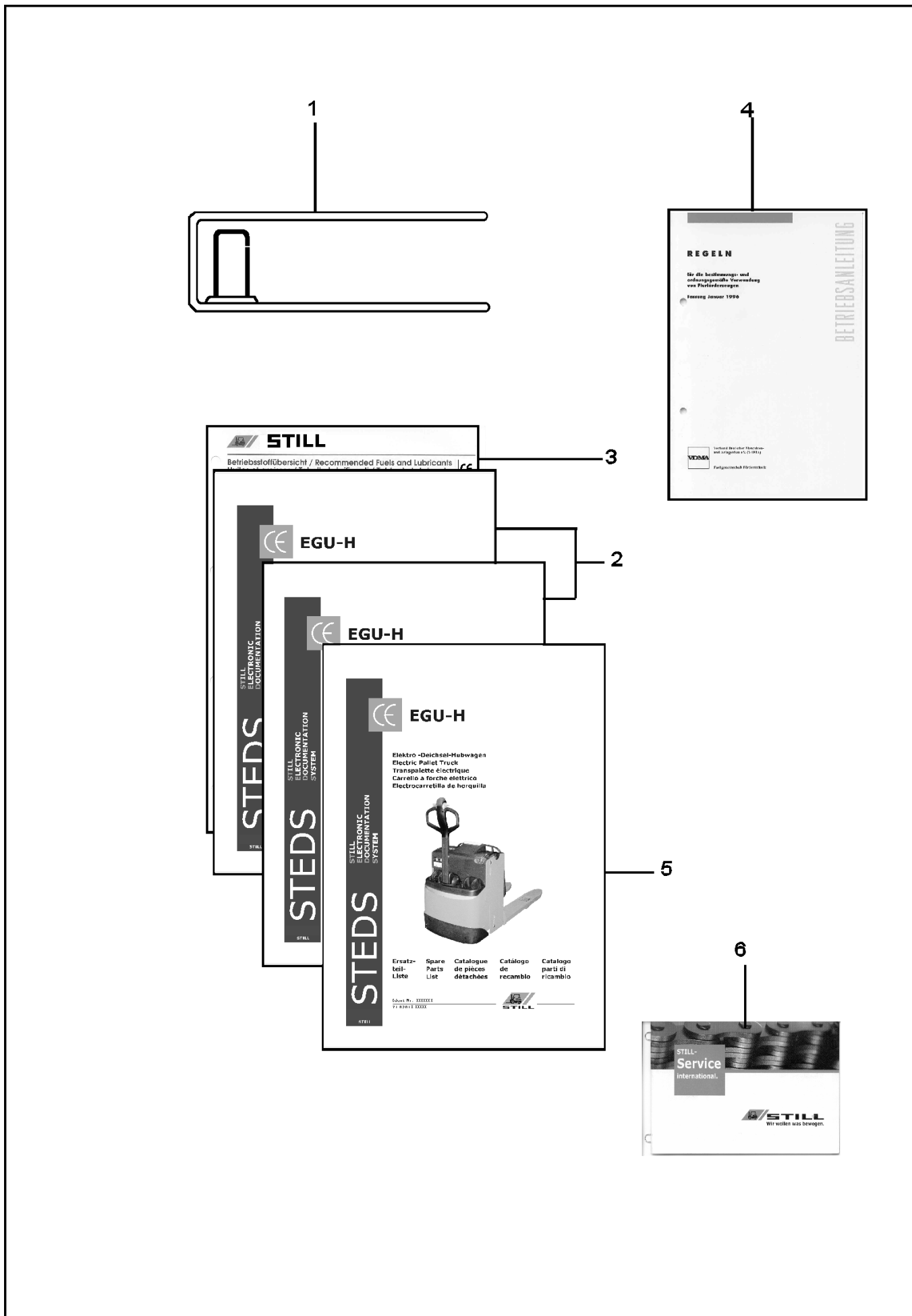
Tipo lit.:

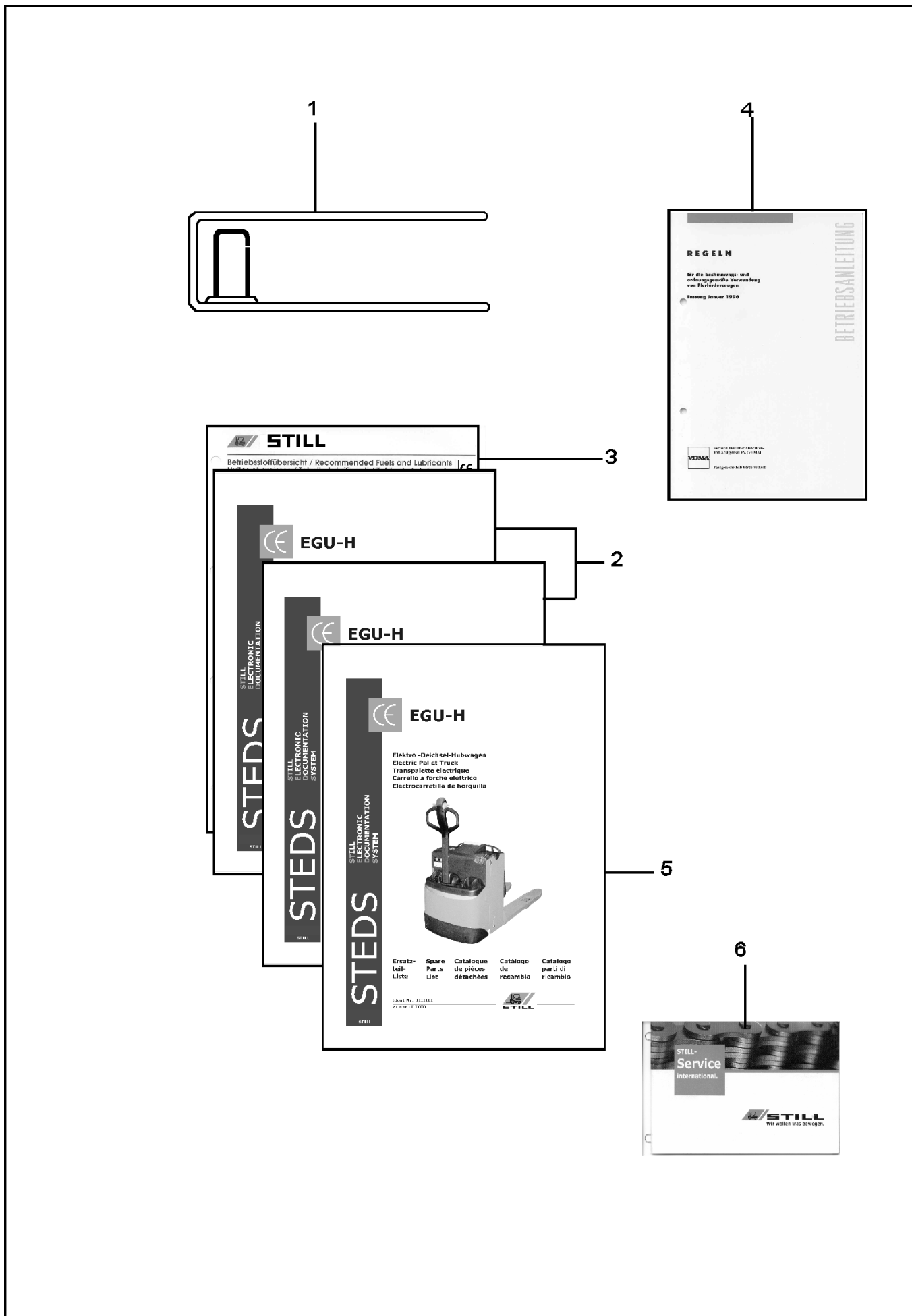
Bateria n°:

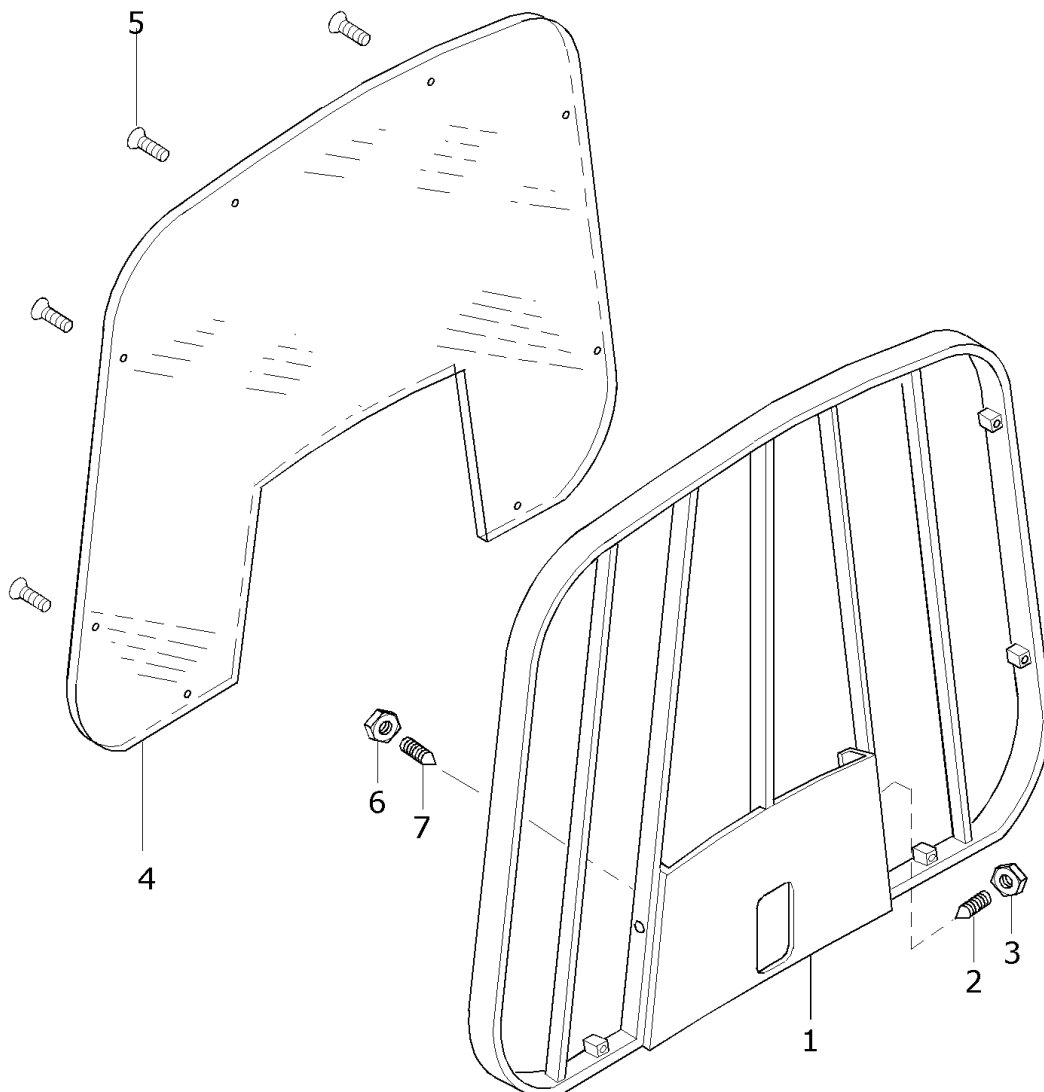
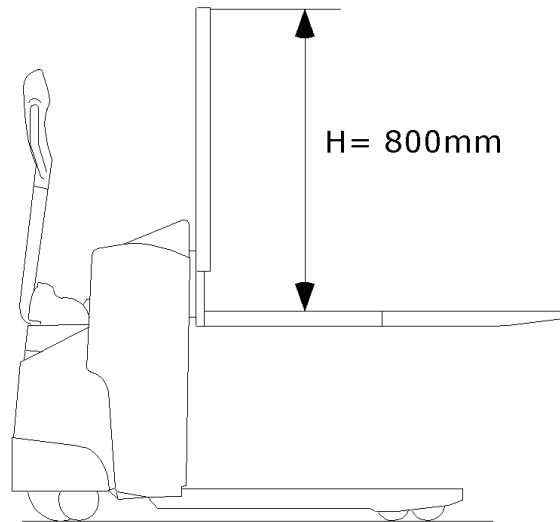
Batt. n°:

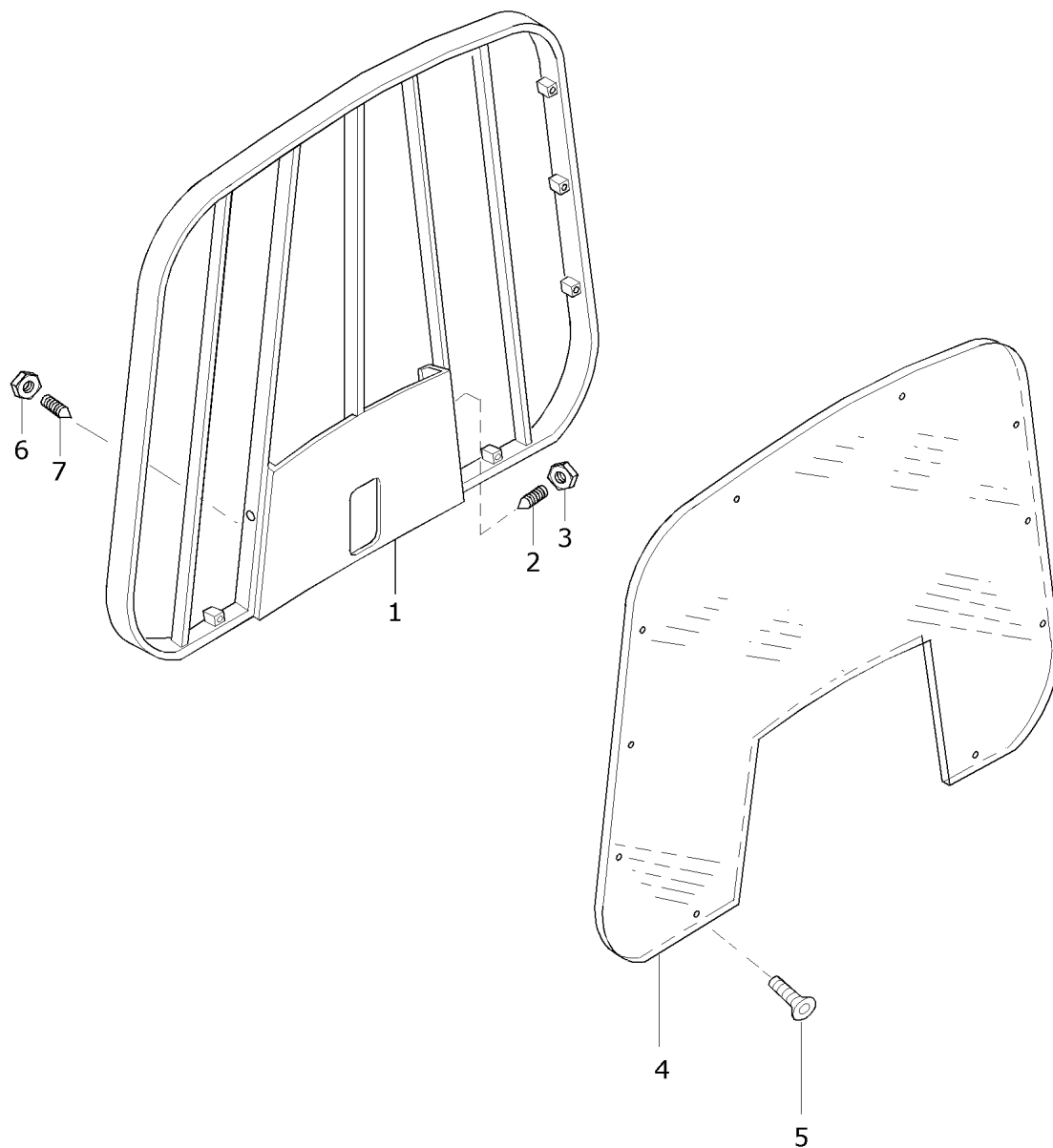
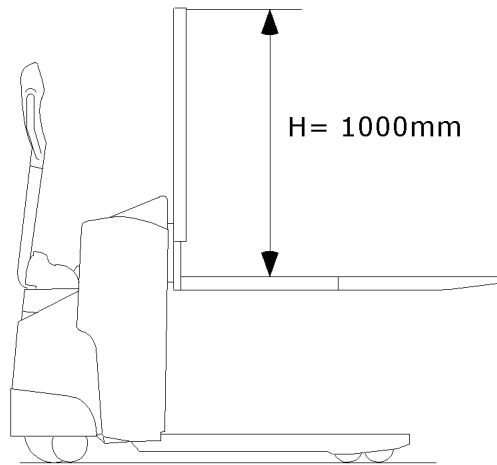
2

476256









4416581	Page:	204
4416583	Page:	204
4416588	Page:	204
4416589	Page:	204
4417120	Page:	190, 192
4420126	Page:	74
4420186	Page:	74
4420243	Page:	88
4420244	Page:	88
4460379	Page:	76, 78
4461035	Page:	212, 216, 218, 220, 222, 224, 226, 228, 230, 232, 234, 236
4461036	Page:	212, 216, 218, 220, 222, 224, 226, 228, 230, 232, 234, 236
4461037	Page:	212, 216, 218, 220, 222, 224, 226, 228, 230, 232, 234, 236
4461170	Page:	124, 126
4461172	Page:	124
4461344	Page:	146, 150
4461552	Page:	192
4461563	Page:	190, 192
4461564	Page:	190, 192
4461565	Page:	190, 192
4461632	Page:	212, 216, 218, 220, 222, 224, 226, 228, 230, 232, 234, 236
4461703	Page:	190, 192
4461799	Page:	212, 216, 218, 220, 222, 224, 226, 228, 230, 232, 234, 236
4461801	Page:	212, 216, 218, 220, 222, 224, 226, 228, 230, 232, 234, 236
4461874	Page:	212, 216, 218, 220, 222, 224, 226, 228, 230, 232, 234, 236
4461875	Page:	212, 216, 218, 220, 222, 224, 226, 228, 230, 232, 234, 236
4461877	Page:	212, 216, 218, 220, 222, 224, 226, 228, 230, 232, 234, 236
4461897	Page:	212, 216, 218, 220, 222, 224, 226, 228, 230, 232, 234, 236
4462035	Page:	76
4462332	Page:	212, 216, 218, 220, 222, 224, 226, 228, 230, 232, 234, 236
4462361	Page:	80
4463158	Page:	126, 130
4463509	Page:	198
4463975	Page:	212, 216, 218, 220, 222, 224, 226, 228, 230, 232, 234, 236
4464459	Page:	292, 294, 296, 298, 300, 302, 304, 306
4464651	Page:	88
4464727	Page:	202
4464728	Page:	198
4465370	Page:	182
4466815	Page:	212, 216, 218, 220, 222, 224, 226, 228, 230, 232, 234, 236
4466860	Page:	180
4466861	Page:	180
4467692	Page:	96, 98, 100, 102
4467701	Page:	158
4467709	Page:	14

CLICK HERE TO **DOWNLOAD** THE COMPLETE MANUAL

- Thank you very much for reading the preview of the manual.
- You can download the complete manual from: www.heydownloads.com by clicking the link below



- Please note: If there is no response to CLICKING the link, please download this PDF first and then click on it.

CLICK HERE TO **DOWNLOAD** THE COMPLETE MANUAL