



STILL

ERSATZTEILLISTE

Spare Parts List
Catalogue de pièces détachées
Catalogo parti di ricambio
Catálogo de recambio

ELEKTRO GABELSTAPLER

Electric Fork Truck
Chariot élévateur électrique
Carrello elevatore elettrico
Carretilla elevadora eléctrica

STILL ELECTRONIC DOCUMENTATION SYSTEM

CTX 14/20

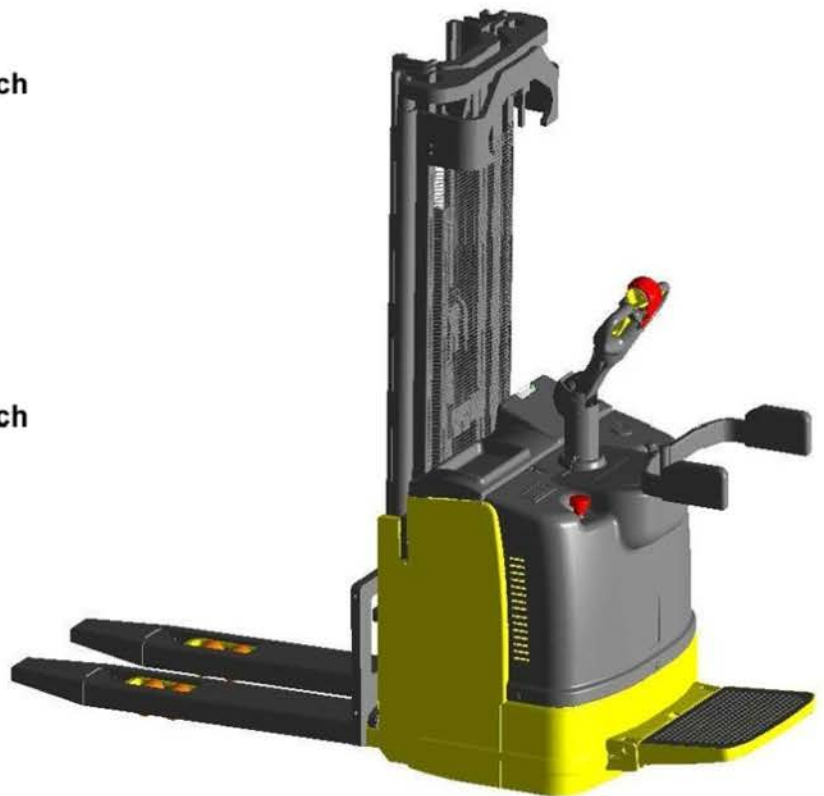
F24523M00001

Gültig bis fahrzeugseriennummerbereich
Valid until to serial number
Valable jusqu'à la matricule
Valido fino alla matricola
Válido hasta la matricula
F24523D00001

CTXi 14/20

F24535P00001

Gültig bis fahrzeugseriennummerbereich
Valid until to serial number
Valable jusqu'à la matricule
Valido fino alla matricola
Válido hasta la matricula
F24535D00001



4523 - 4535

45238047801 - 11.2012

first in intralogistics

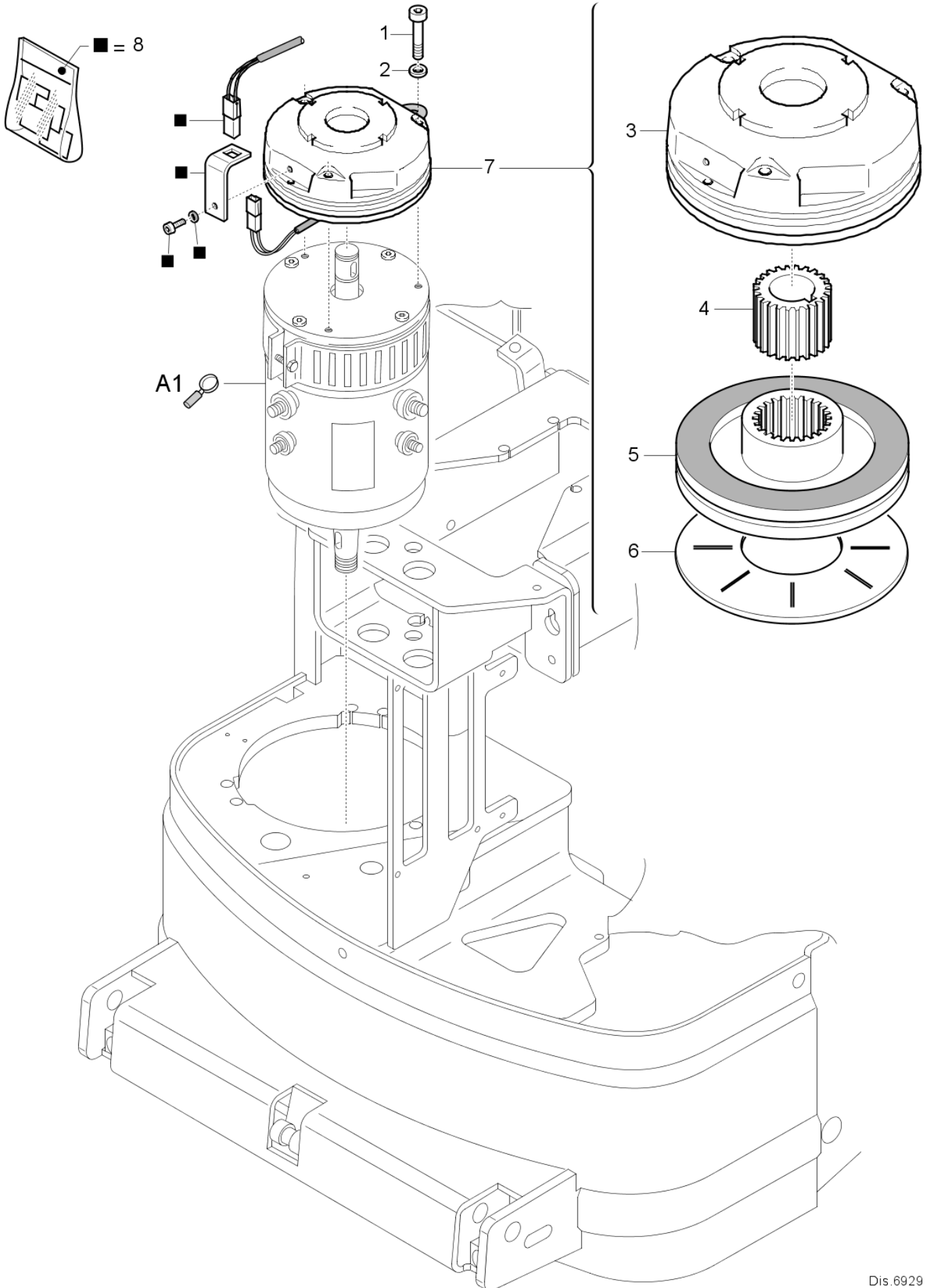
CLICK HERE TO **DOWNLOAD** THE COMPLETE MANUAL

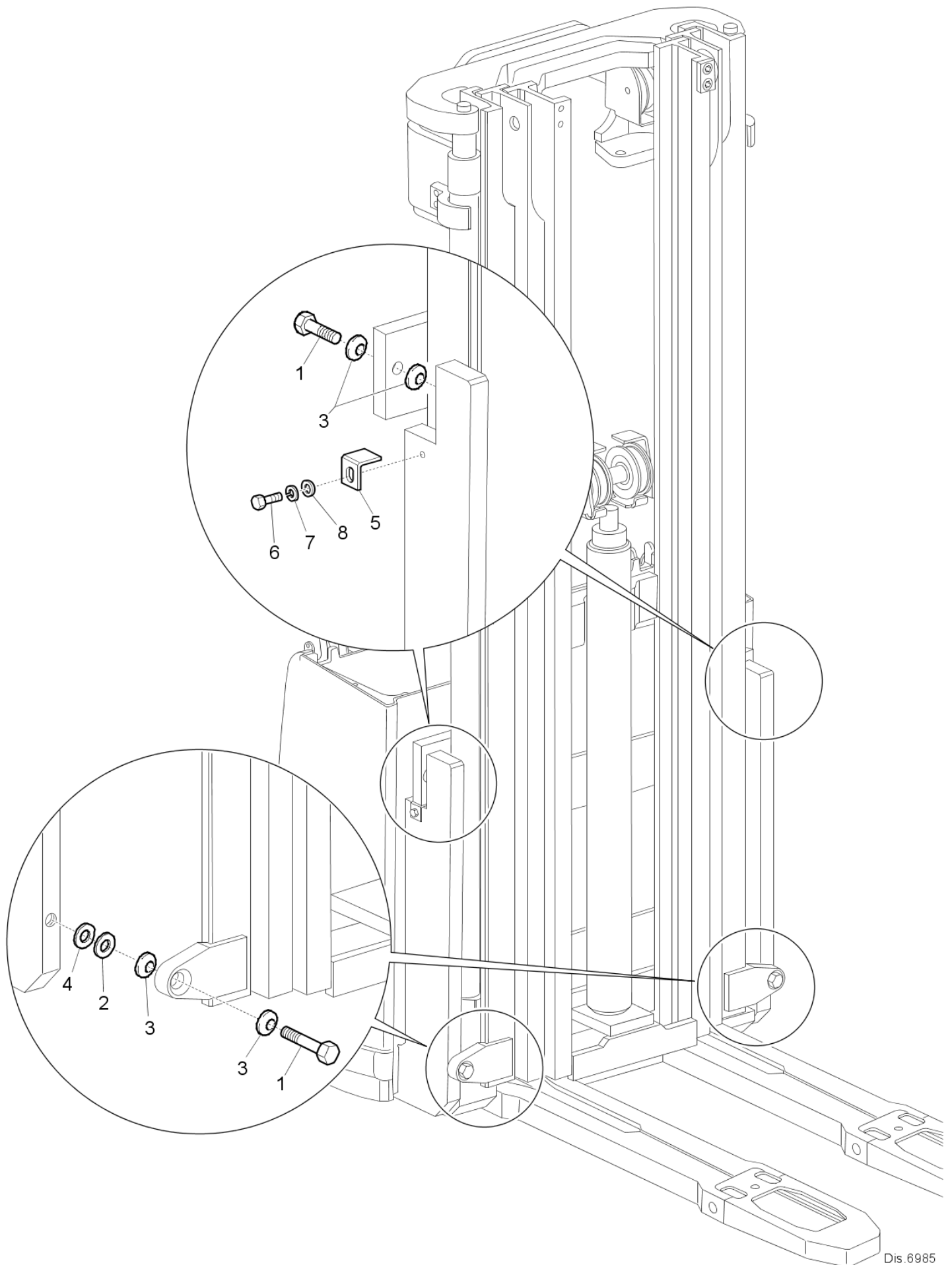
- Thank you very much for reading the preview of the manual.
- You can download the complete manual from: www.heydownloads.com by clicking the link below



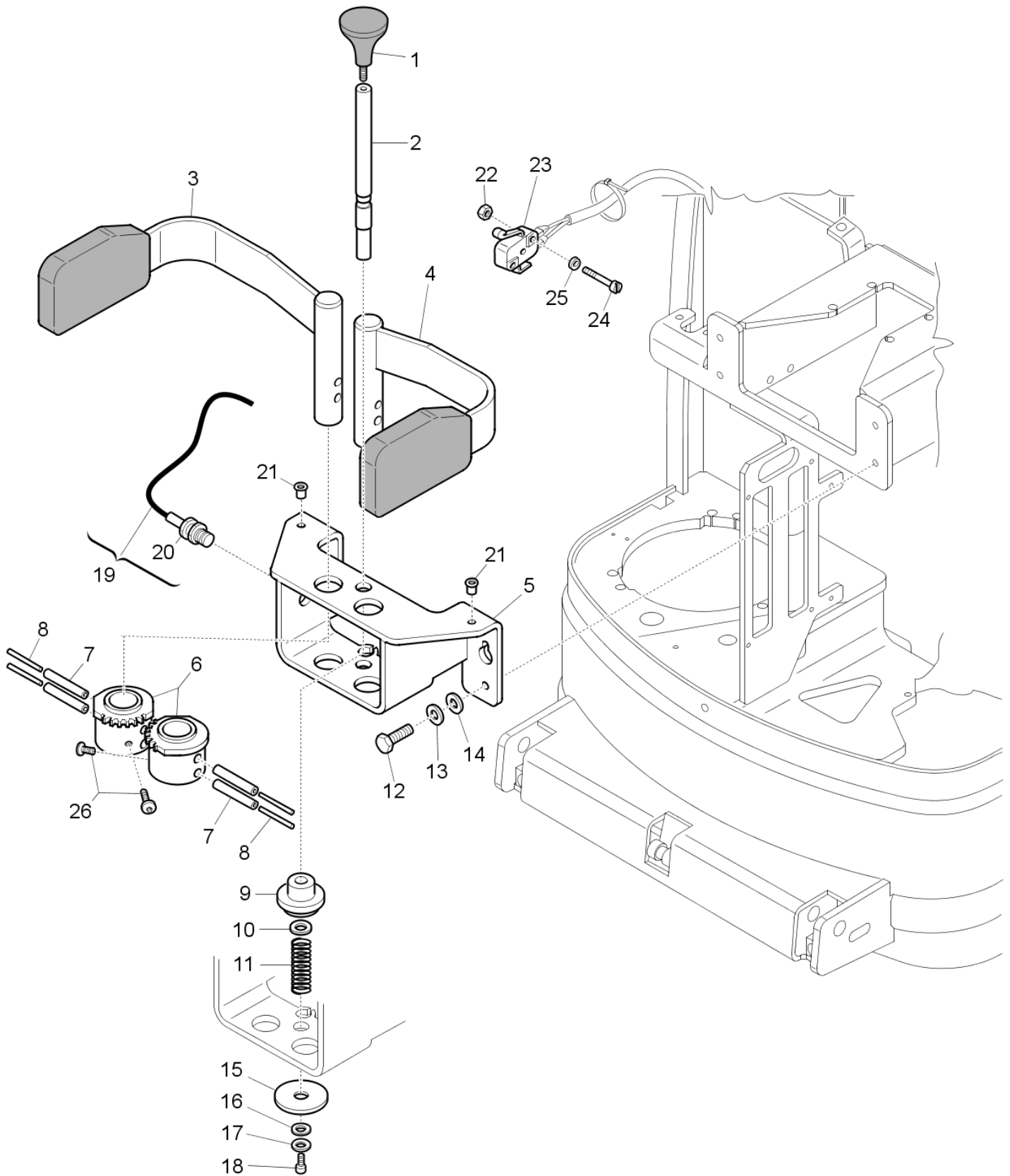
- Please note: If there is no response to CLICKING the link, please download this PDF first and then click on it.

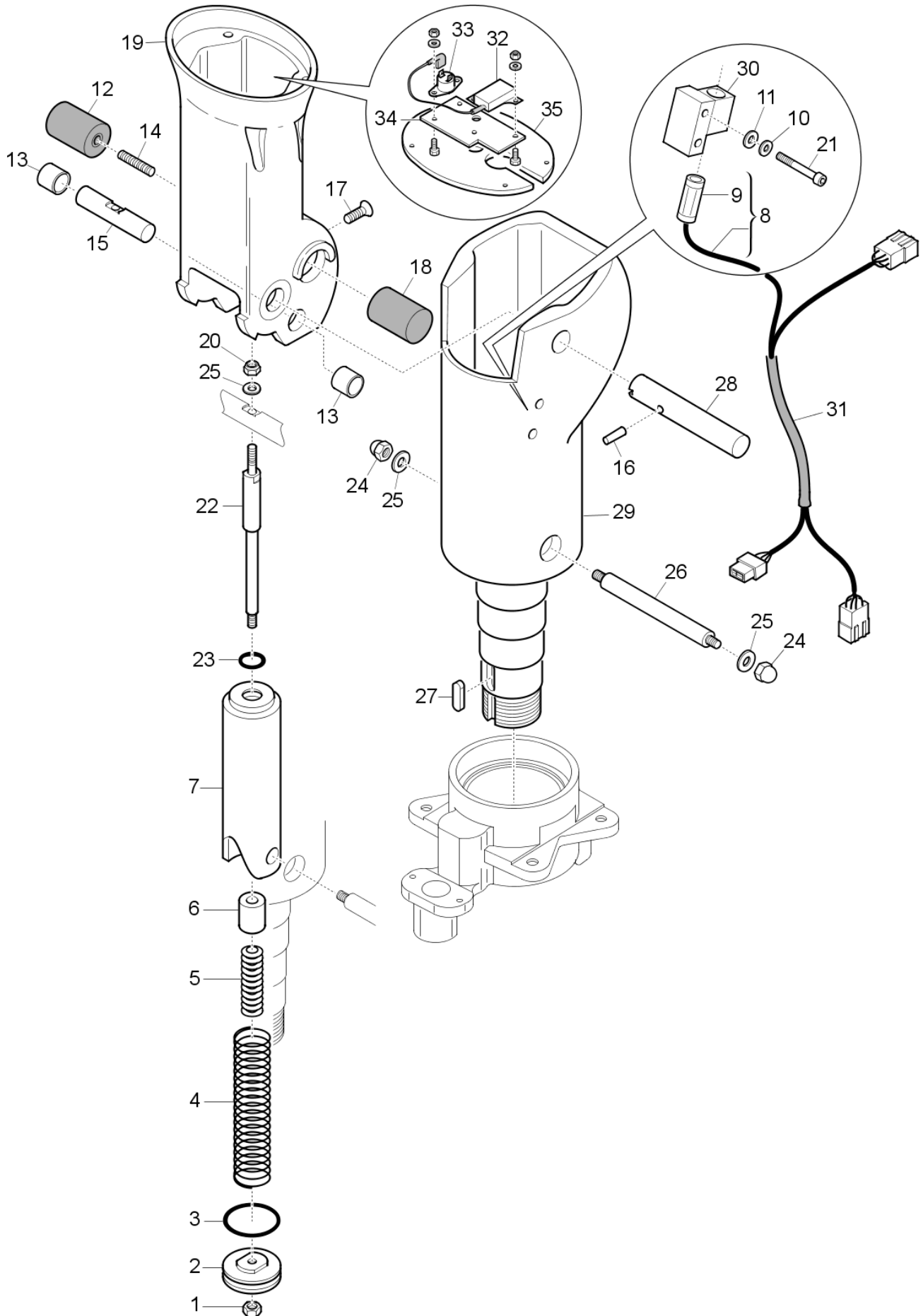
CLICK HERE TO **DOWNLOAD** THE COMPLETE MANUAL

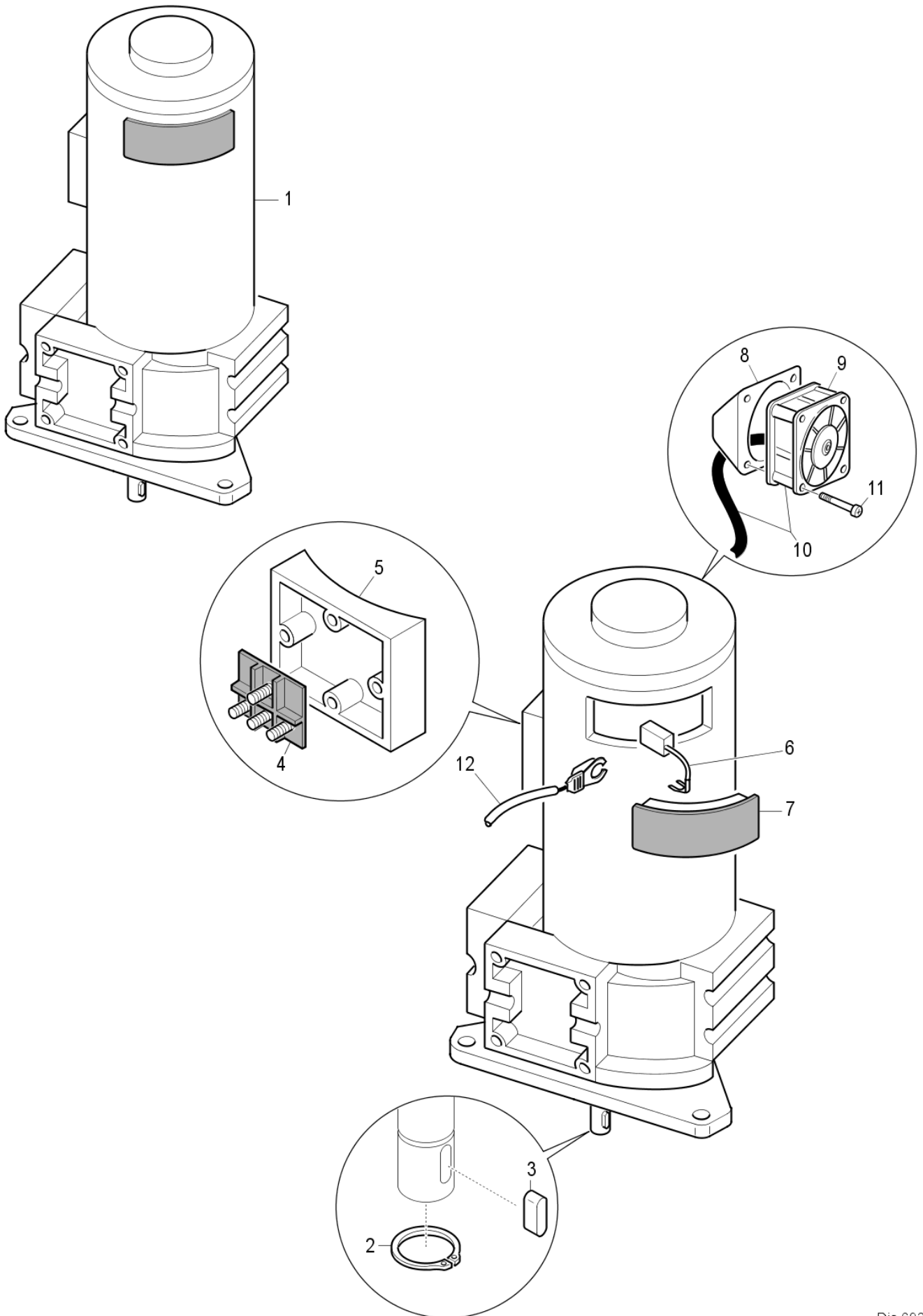


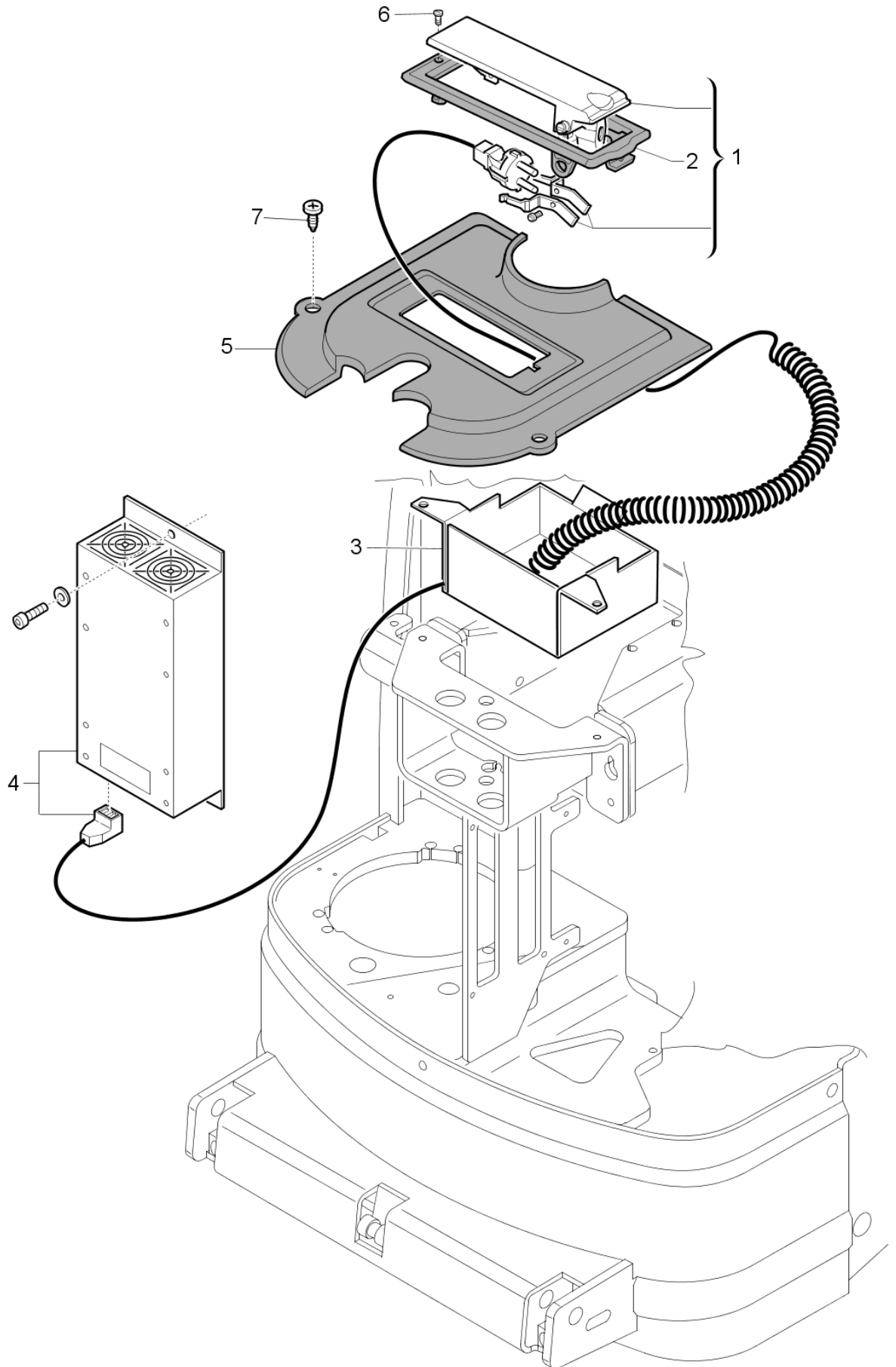


Dis. 6985

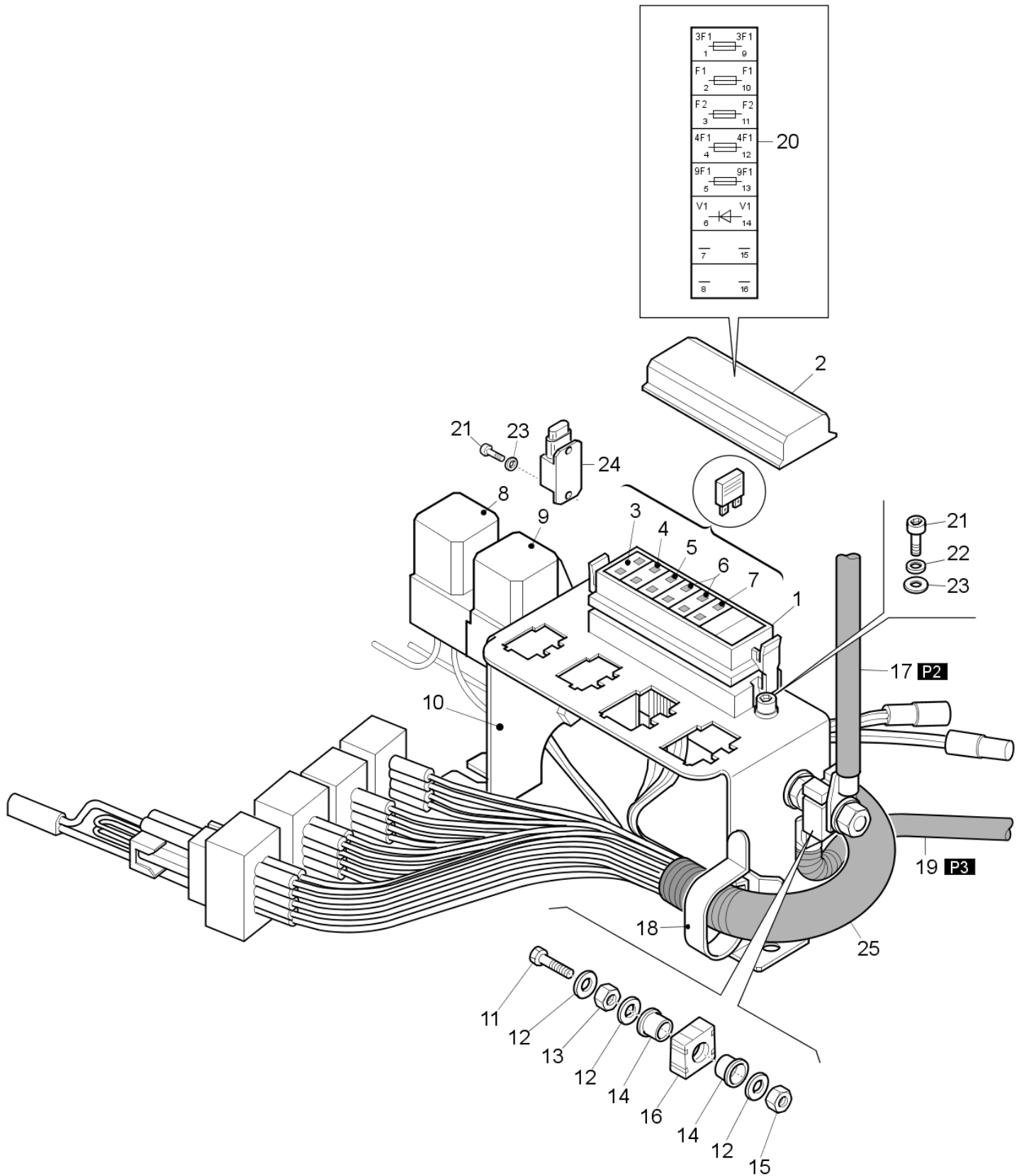


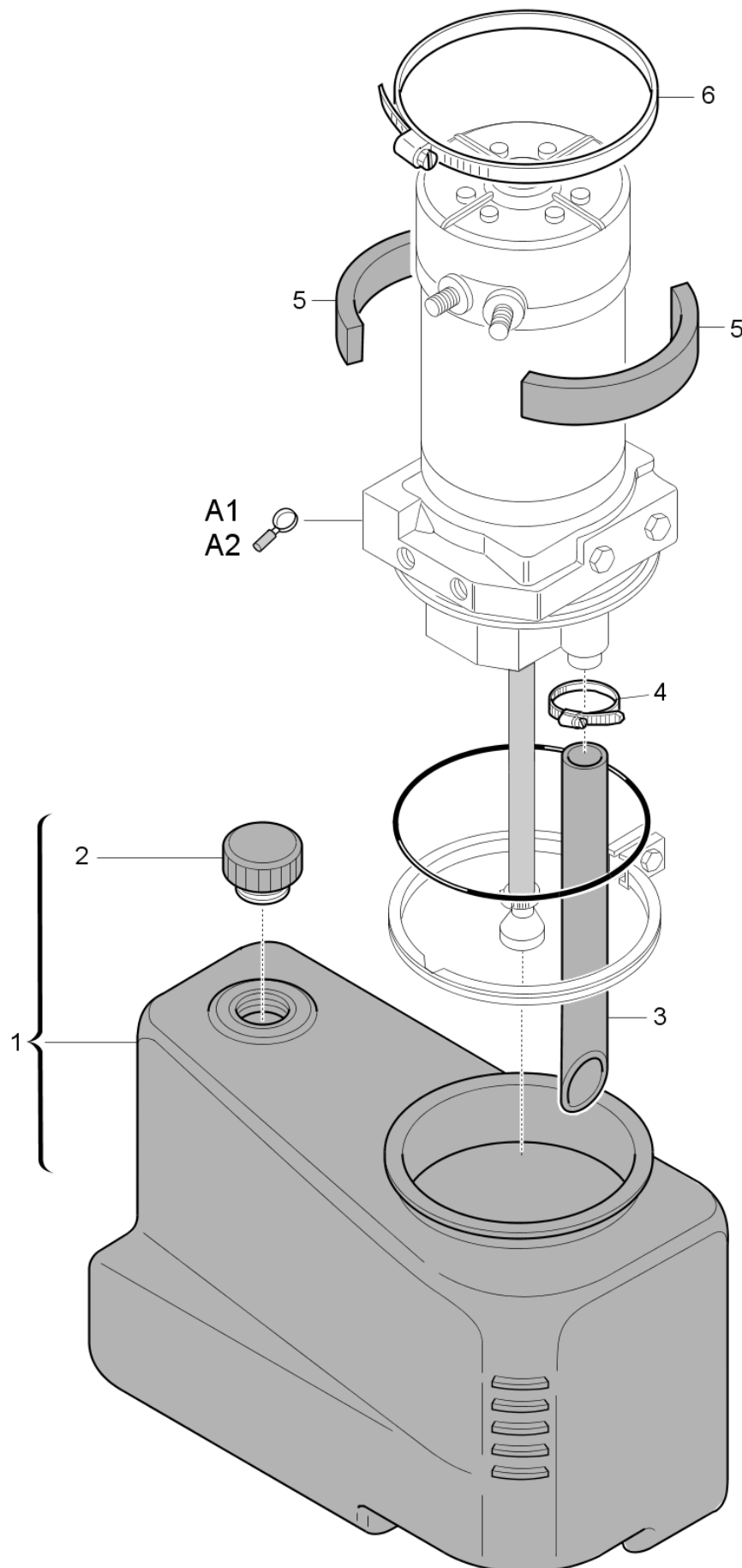


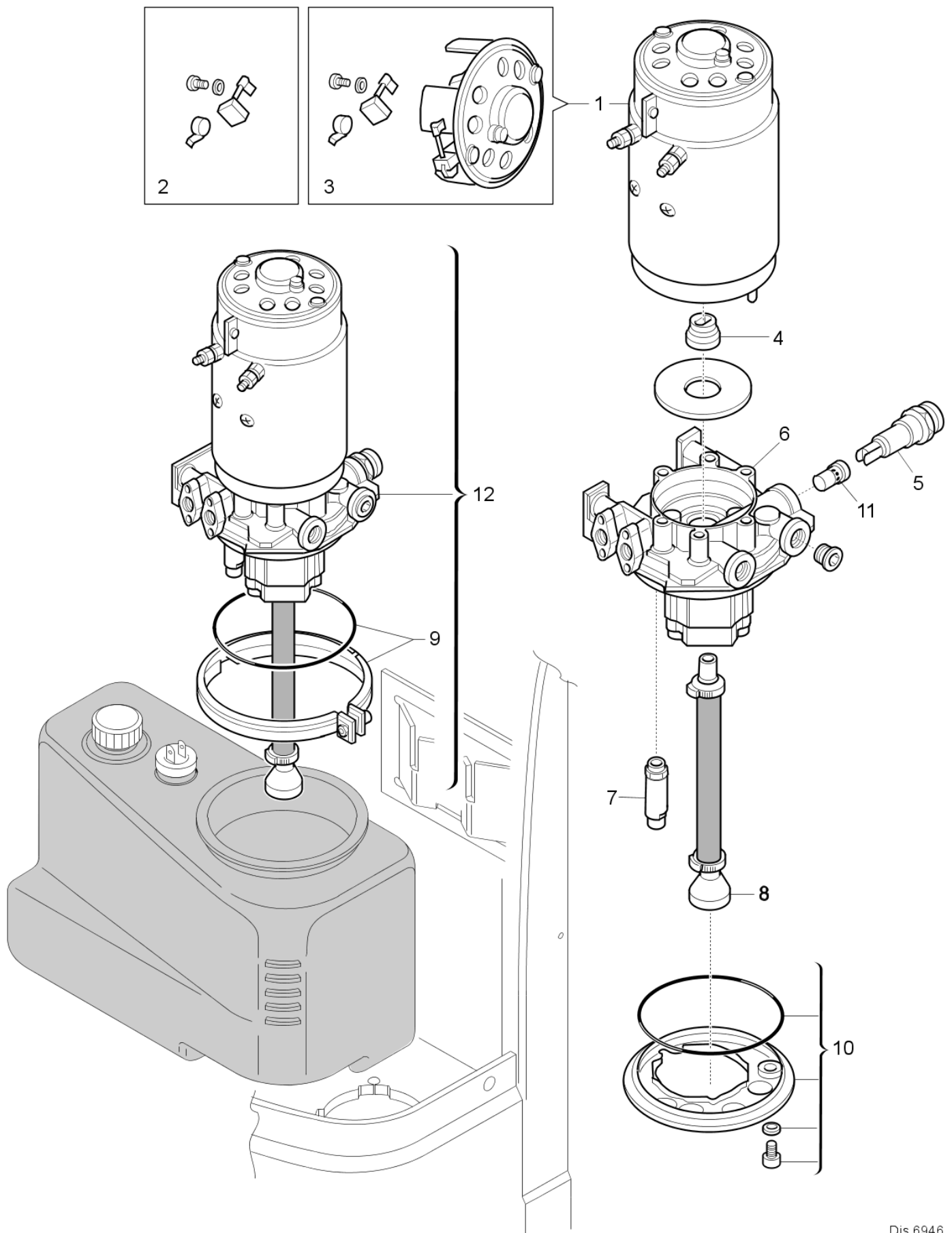




Dis.6927







Dis.6946

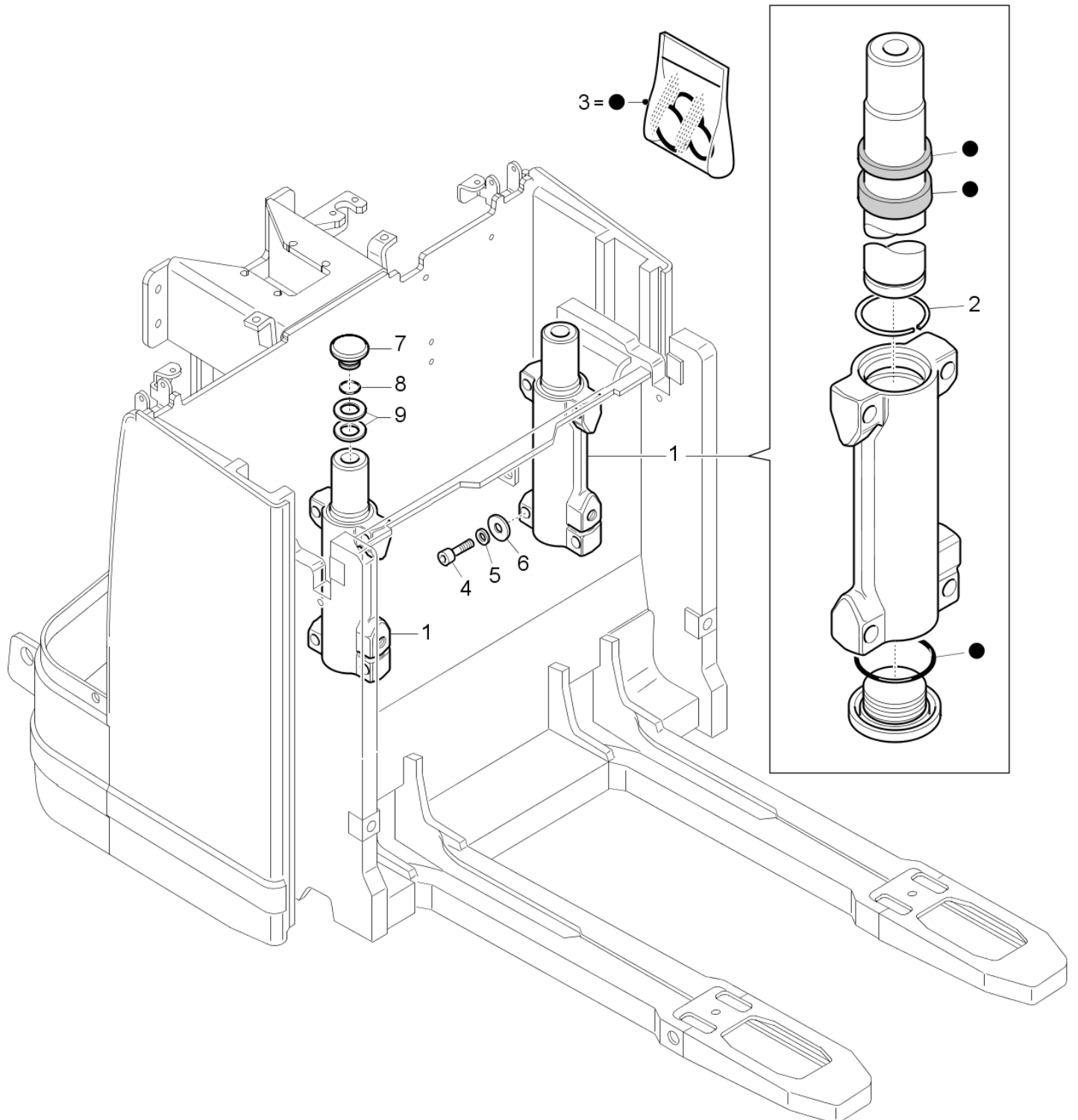
CLICK HERE TO **DOWNLOAD** THE COMPLETE MANUAL

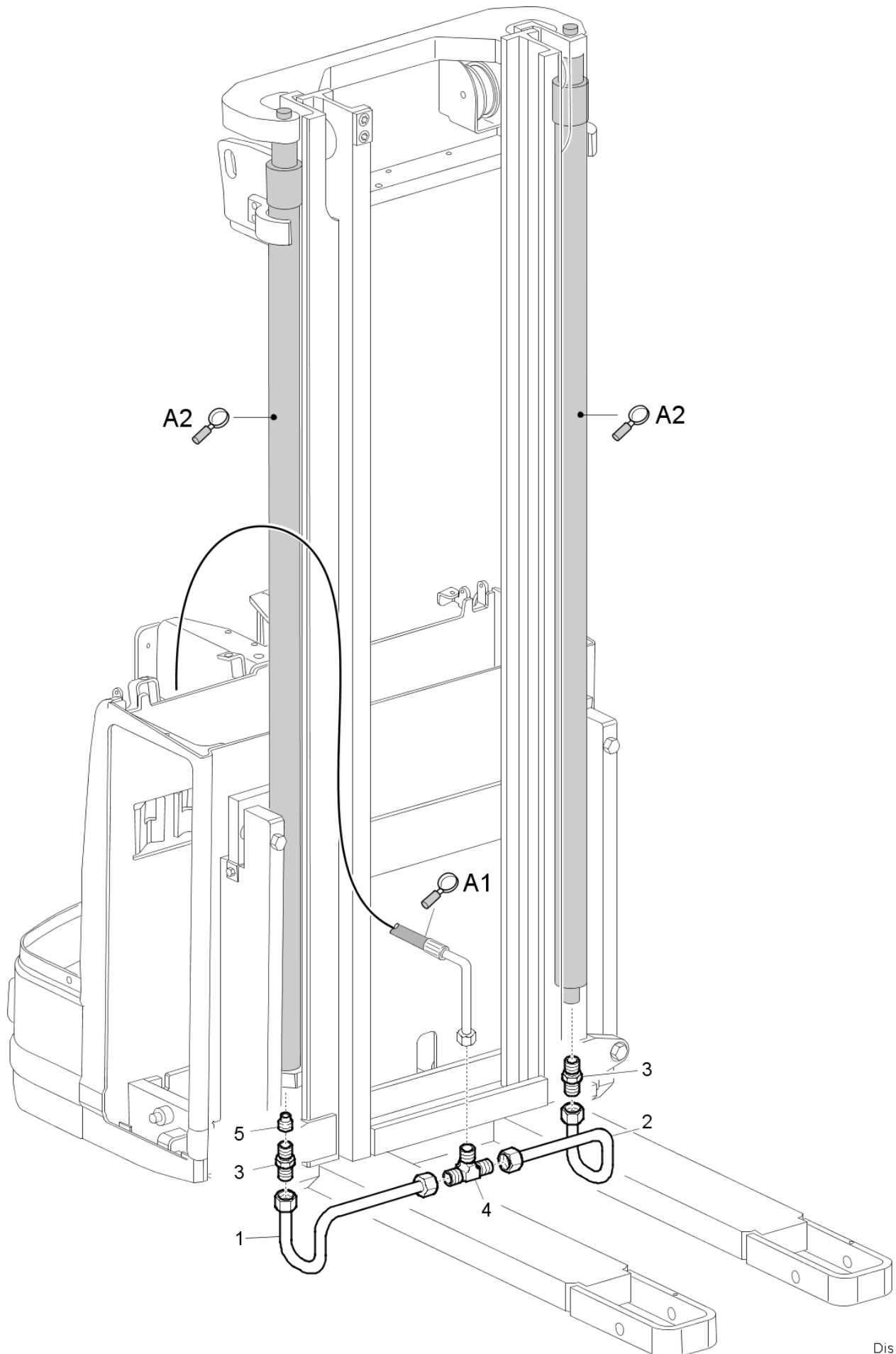
- Thank you very much for reading the preview of the manual.
- You can download the complete manual from: www.heydownloads.com by clicking the link below



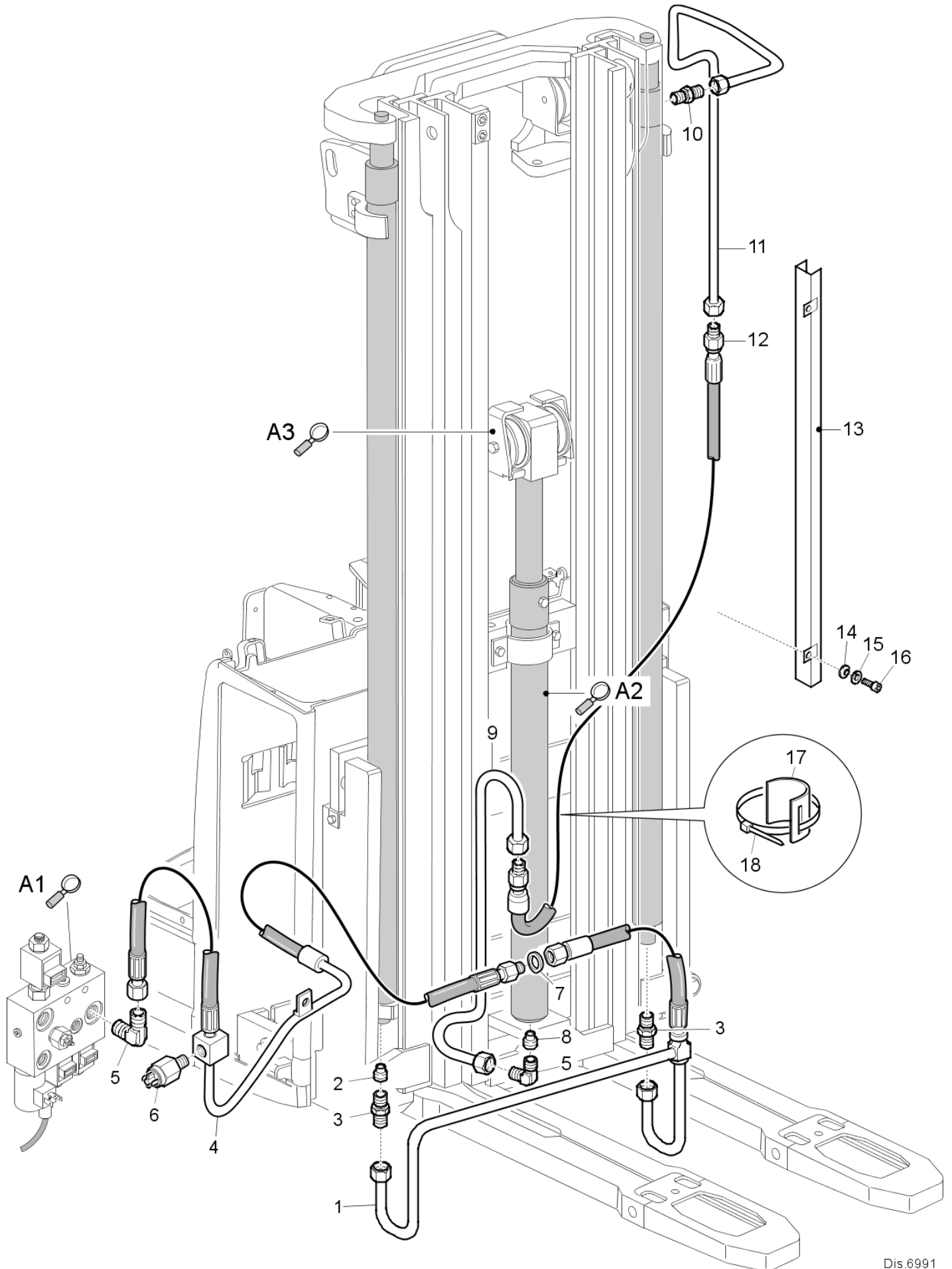
- Please note: If there is no response to CLICKING the link, please download this PDF first and then click on it.

CLICK HERE TO **DOWNLOAD** THE COMPLETE MANUAL

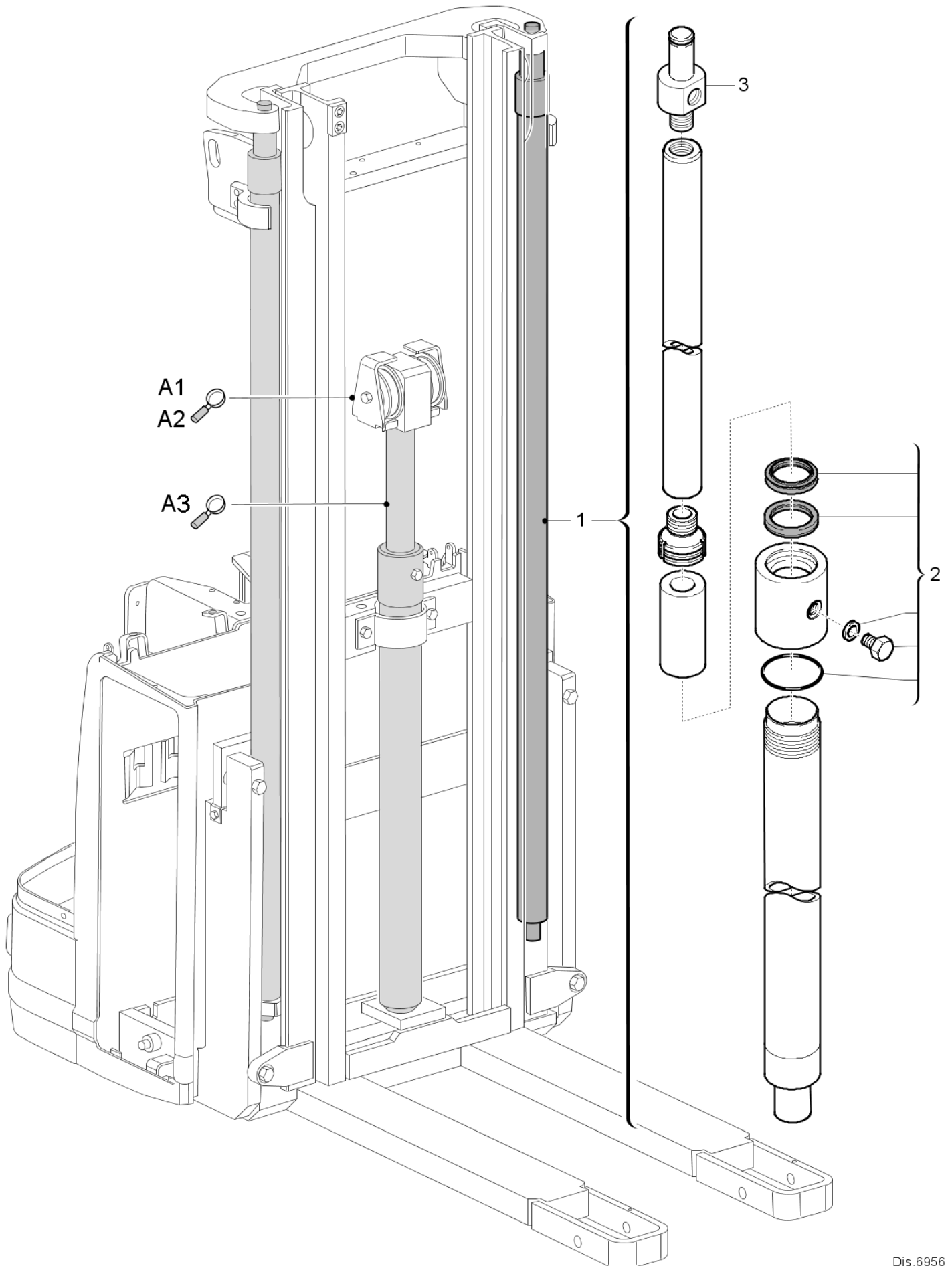


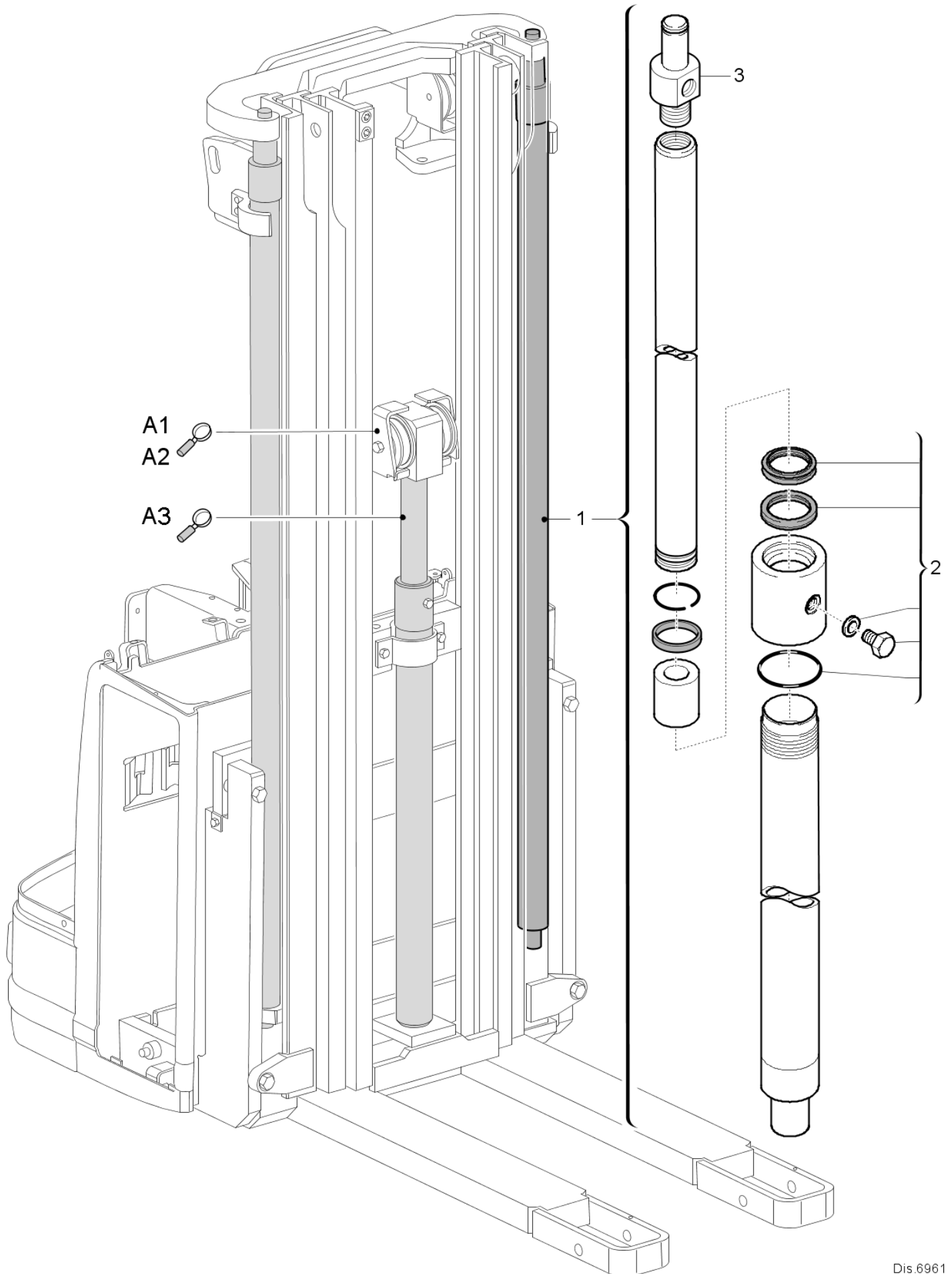


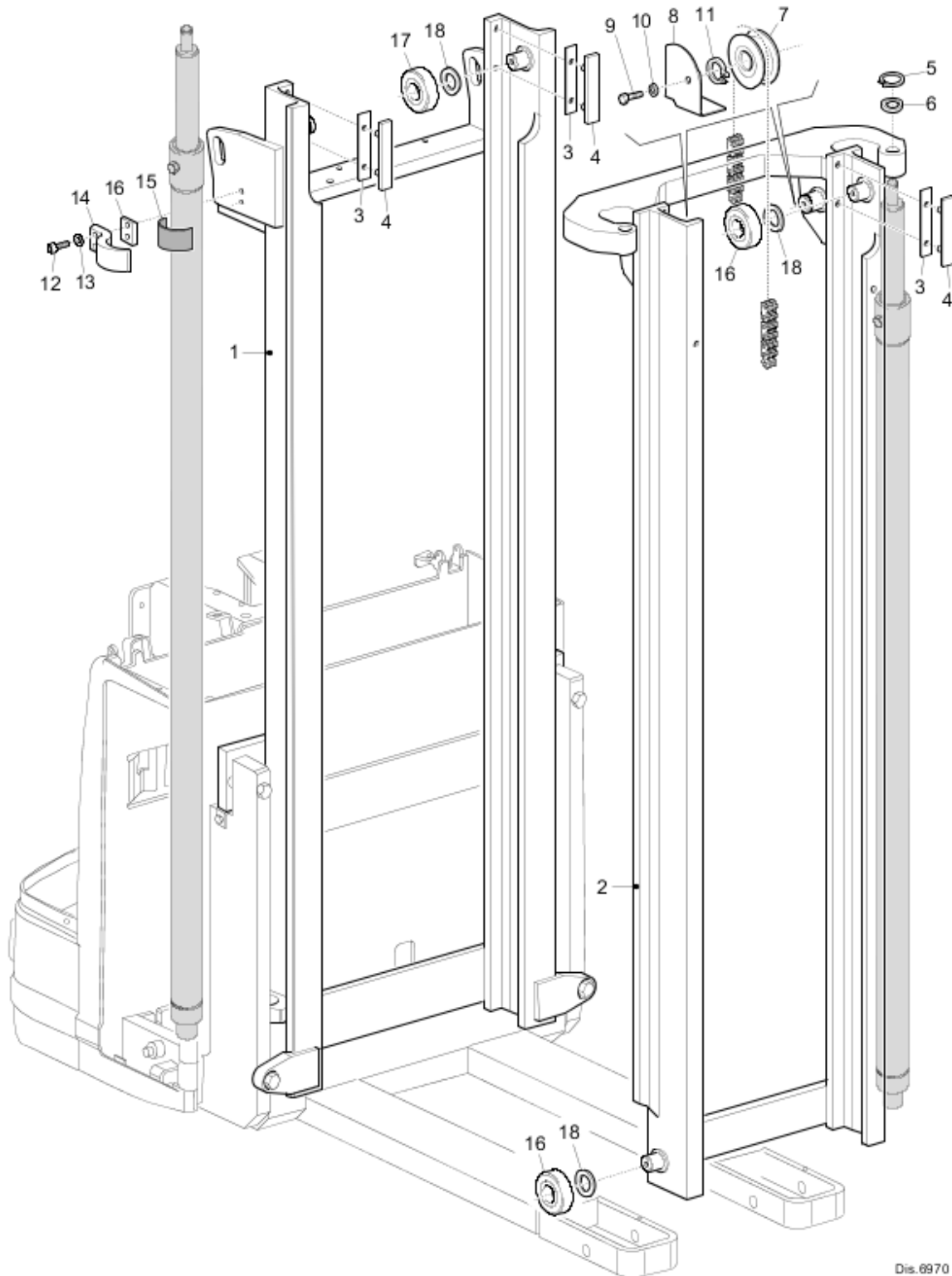
Dis.6949



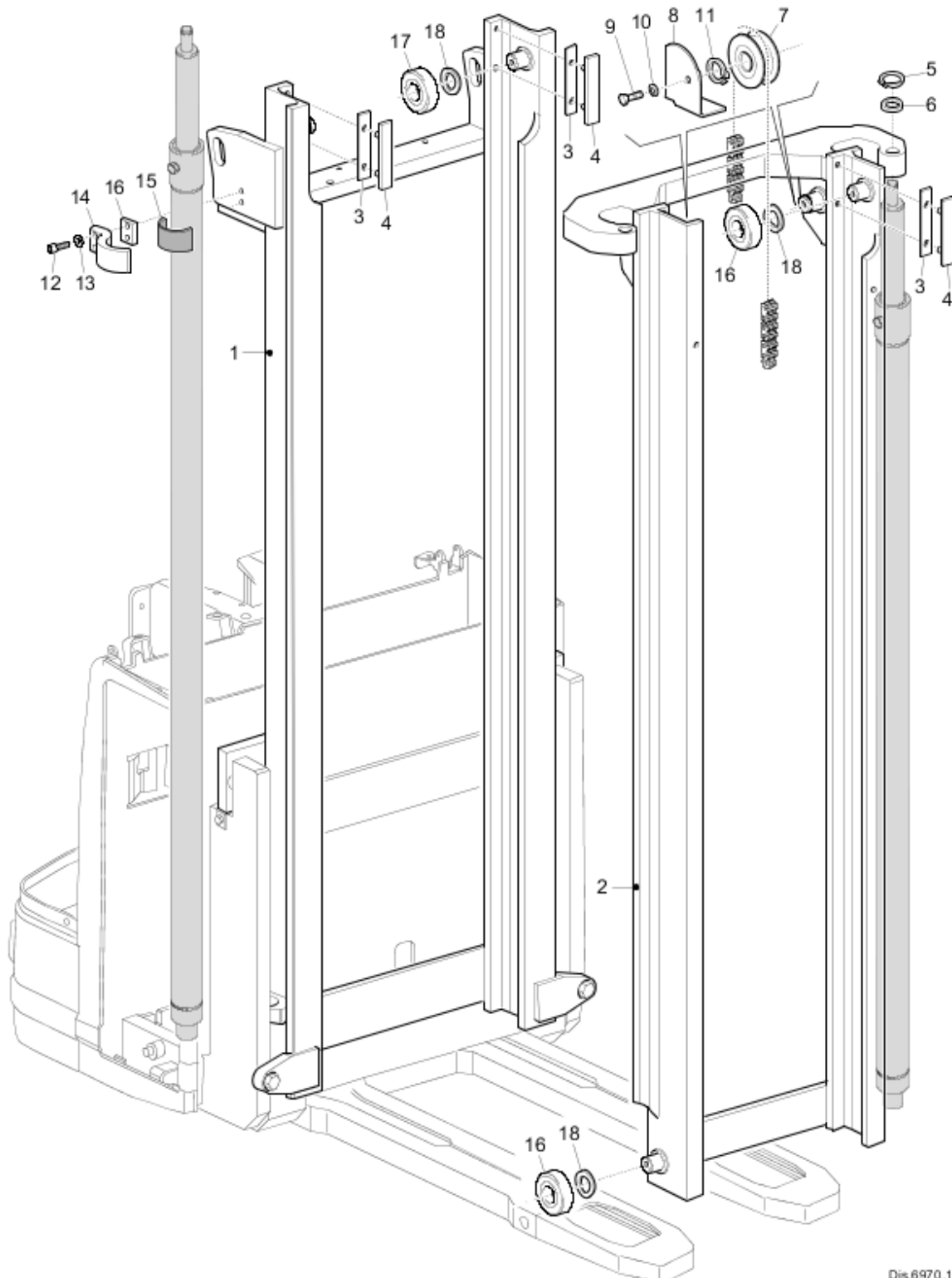
Dis.6991



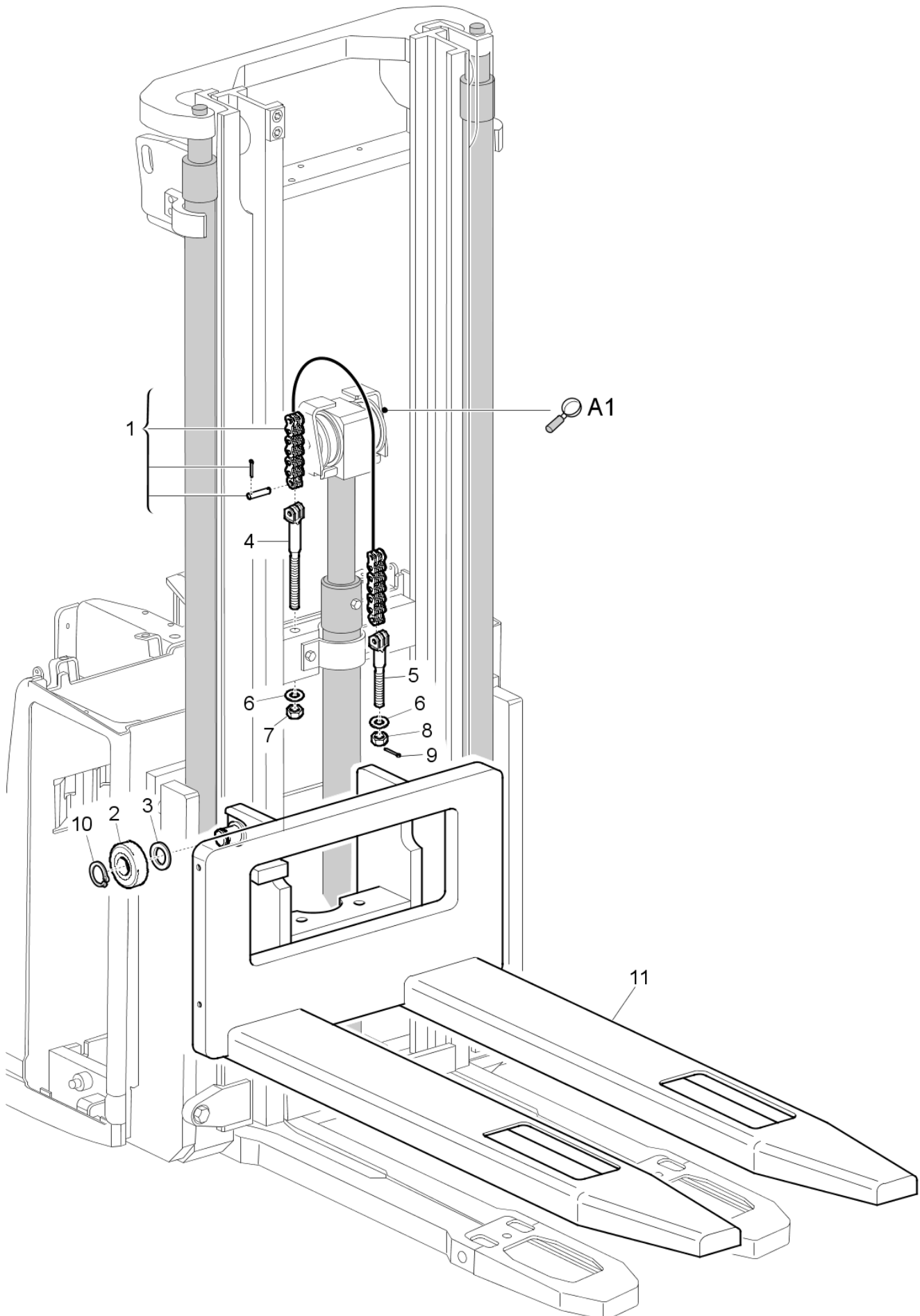


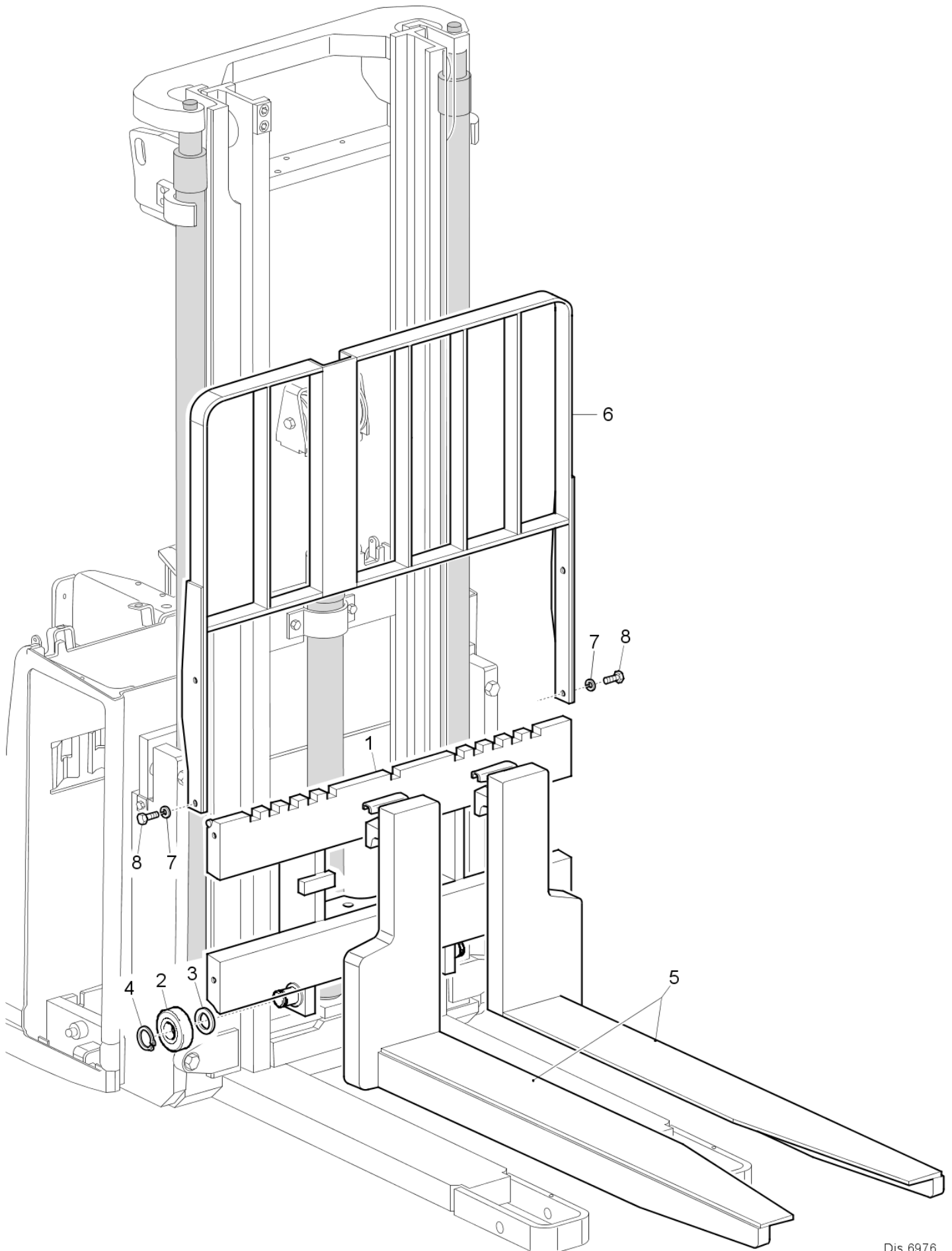


Dis. 6970



Dis.6970.1





Dis.6976

0009031058	Page:	190
0009031059	Page:	190
0009380187	Page:	348, 350
0009380728	Page:	348, 350
0009380893	Page:	148, 152
0009384205	Page:	350
0009384223	Page:	348, 350
0009384232	Page:	348, 350
0009385504	Page:	348, 350
0009385615	Page:	348, 350
0009431015	Page:	188, 206, 234, 252
0009610030	Page:	16, 20, 30
0009630106	Page:	192
0009700837	Page:	130
0009703700	Page:	140, 144
0009755103	Page:	14, 28, 78, 82
0009773904	Page:	148, 152
0009776530	Page:	130, 136
0009776531	Page:	128, 136
0009776532	Page:	130, 136
0009776533	Page:	128, 134
0009776534	Page:	128, 134, 148, 152
0009776536	Page:	128, 134
0009776537	Page:	128, 134
0009810889	Page:	176
0009903500	Page:	36
0009903501	Page:	36
0009933862	Page:	14, 28
0009933863	Page:	14, 28
0049700806	Page:	130
0049700807	Page:	136
0134190	Page:	16, 18, 30
0142753	Page:	96, 106
0159519	Page:	14, 28, 78, 82
0170208	Page:	6
0170209	Page:	6
0170210	Page:	6
0170211	Page:	6
0170212	Page:	6
0170213	Page:	6
0170214	Page:	6
0170215	Page:	6
0170217	Page:	6
0170218	Page:	6
0170219	Page:	6

45394461007	Page:	116
45394462300	Page:	36, 116
45394463700	Page:	36, 116
45394463701	Page:	36
45494461001	Page:	36
45582531800	Page:	20, 30
45584231200	Page:	36
50983508934	Page:	14, 28
60420281	Page:	6
60420282	Page:	6
60420283	Page:	6
60420284	Page:	6
60420285	Page:	6
60420400	Page:	6
7915000160	Page:	146, 152
7915491607	Page:	126, 134
7919000125	Page:	146, 152
8003706	Page:	16, 22, 30
8003962	Page:	72, 74
8004061	Page:	38
8004789	Page:	198, 200, 228, 232, 248, 254
8004801	Page:	114
8004805	Page:	14
8004977	Page:	78, 82, 86, 88, 98, 106
8005549	Page:	36, 50, 54, 62, 66
8006156	Page:	72, 74
8006685	Page:	116
82904010	Page:	26, 32
83221035	Page:	348, 350
8410410	Page:	26, 32, 38, 48, 50, 54, 62, 66, 98, 106, 116, 124, 130, 132, 136, 138, 144, 210, 234, 236, 252, 334, 336
8411021	Page:	14, 28, 114, 192
84121101	Page:	348
8414996	Page:	16, 20, 30
8418239	Page:	14, 28, 70, 74, 78, 82
8418289	Page:	52, 54, 62, 66
8418537	Page:	56, 60, 72, 74, 148, 152
8429400	Page:	124
8434427	Page:	36, 116
8435286	Page:	348, 350
8435379	Page:	220, 232, 284, 290, 296, 304
85801002	Page:	38
8665000	Page:	14, 28, 70, 74, 78, 82
8665980	Page:	38, 40, 42, 50, 54, 62, 66, 96, 106, 158
87507101	Page:	92, 110
9007346202	Page:	96, 106

CLICK HERE TO **DOWNLOAD** THE COMPLETE MANUAL

- Thank you very much for reading the preview of the manual.
- You can download the complete manual from: www.heydownloads.com by clicking the link below



- Please note: If there is no response to CLICKING the link, please download this PDF first and then click on it.

CLICK HERE TO **DOWNLOAD** THE COMPLETE MANUAL