

Ⓓ **Ersatzteilliste**

**Nr. 99 387.DE.90K.0**

Ⓕ **Catalogue des Pièces Detachees**

Ⓖ **Spare parts list**

---

## **NOVADISC 305**

(Type PSM 387 : + . . 01001)



Ihre / Your / Votre • Masch.Nr. • Fgst.Ident.Nr.

**Version 10/09**

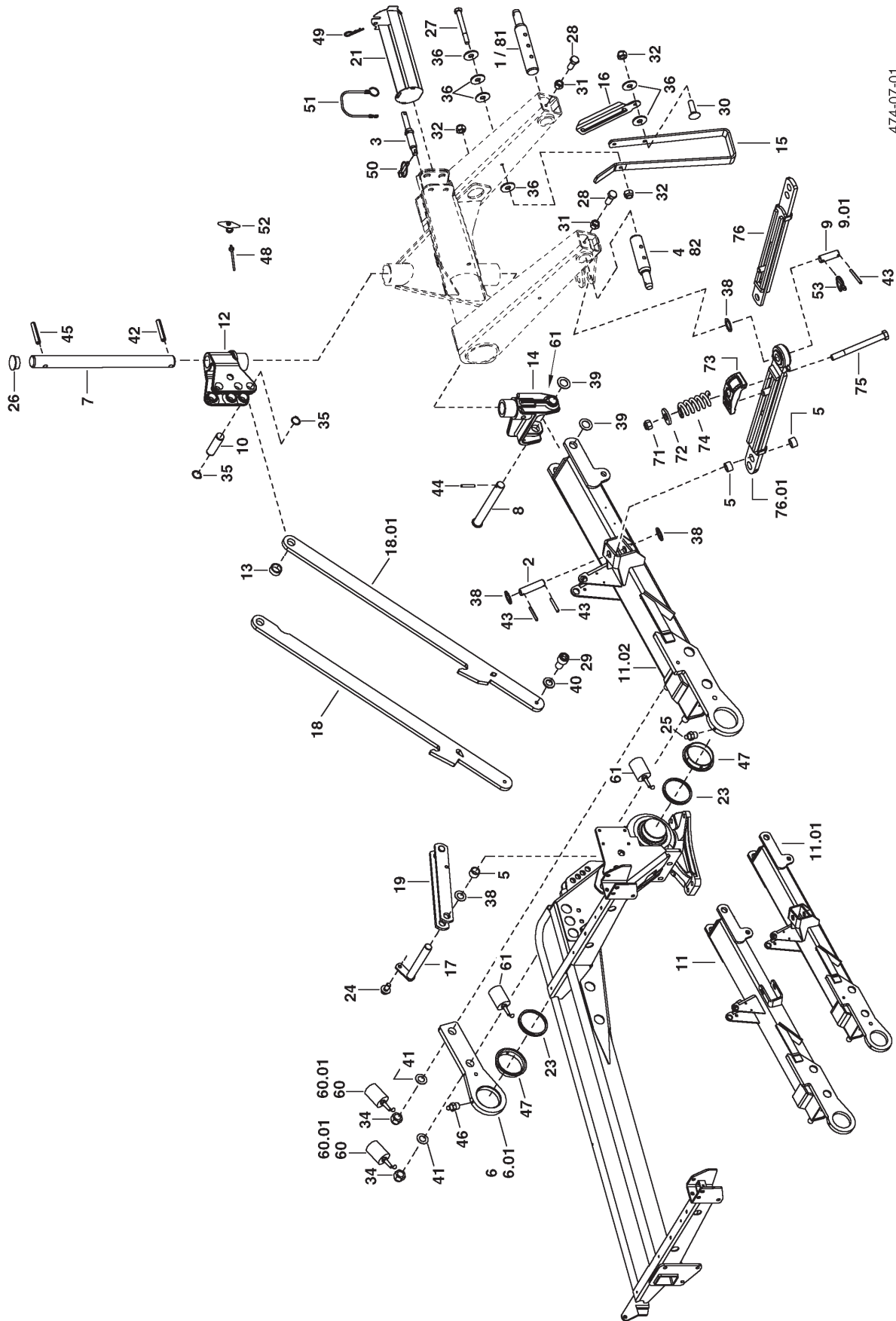
CLICK HERE TO **DOWNLOAD** THE COMPLETE MANUAL

- Thank you very much for reading the preview of the manual.
- You can download the complete manual from: [www.heydownloads.com](http://www.heydownloads.com) by clicking the link below



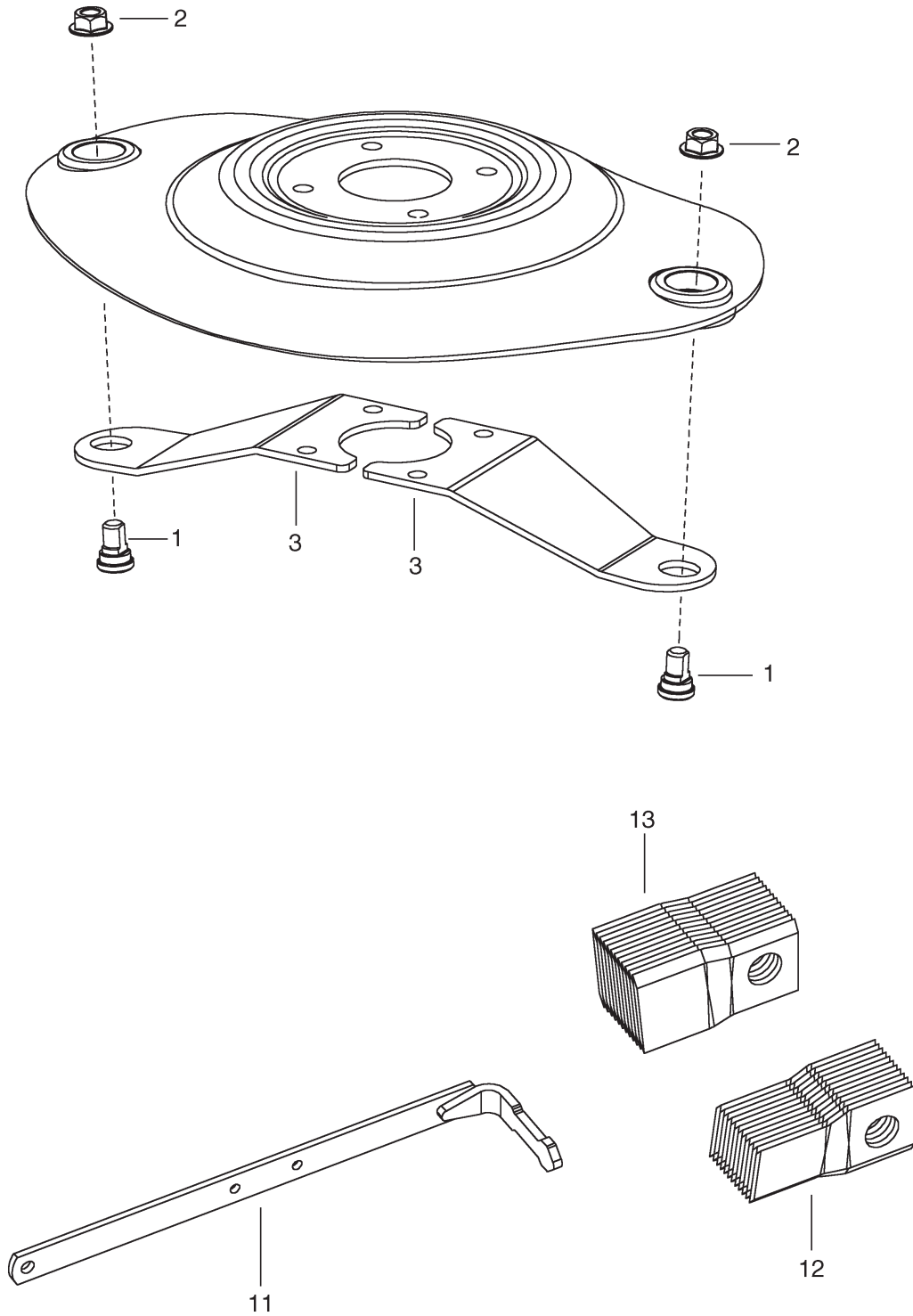
- Please note: If there is no response to CLICKING the link, please download this PDF first and then click on it.

CLICK HERE TO **DOWNLOAD** THE COMPLETE MANUAL

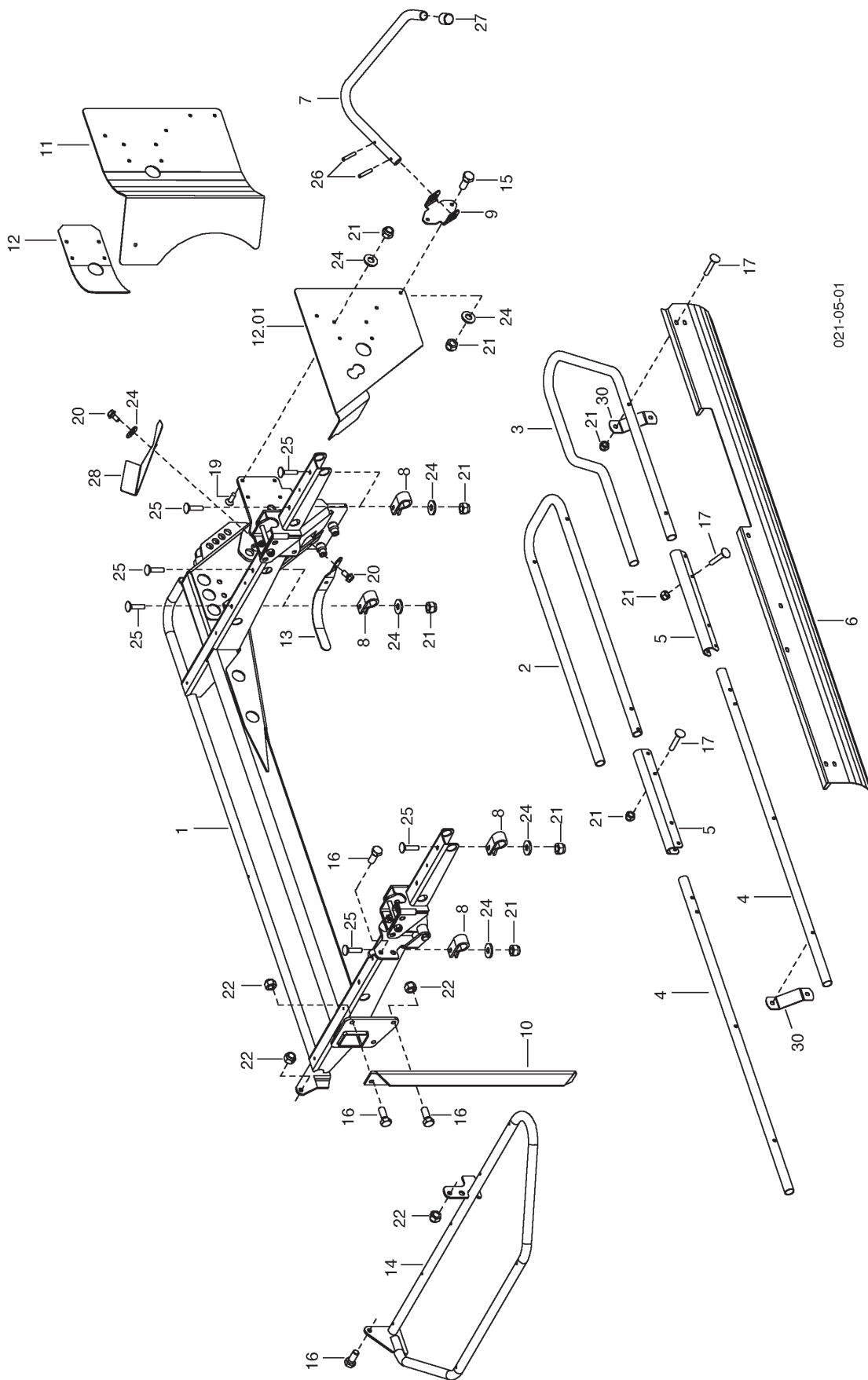


474-07-01

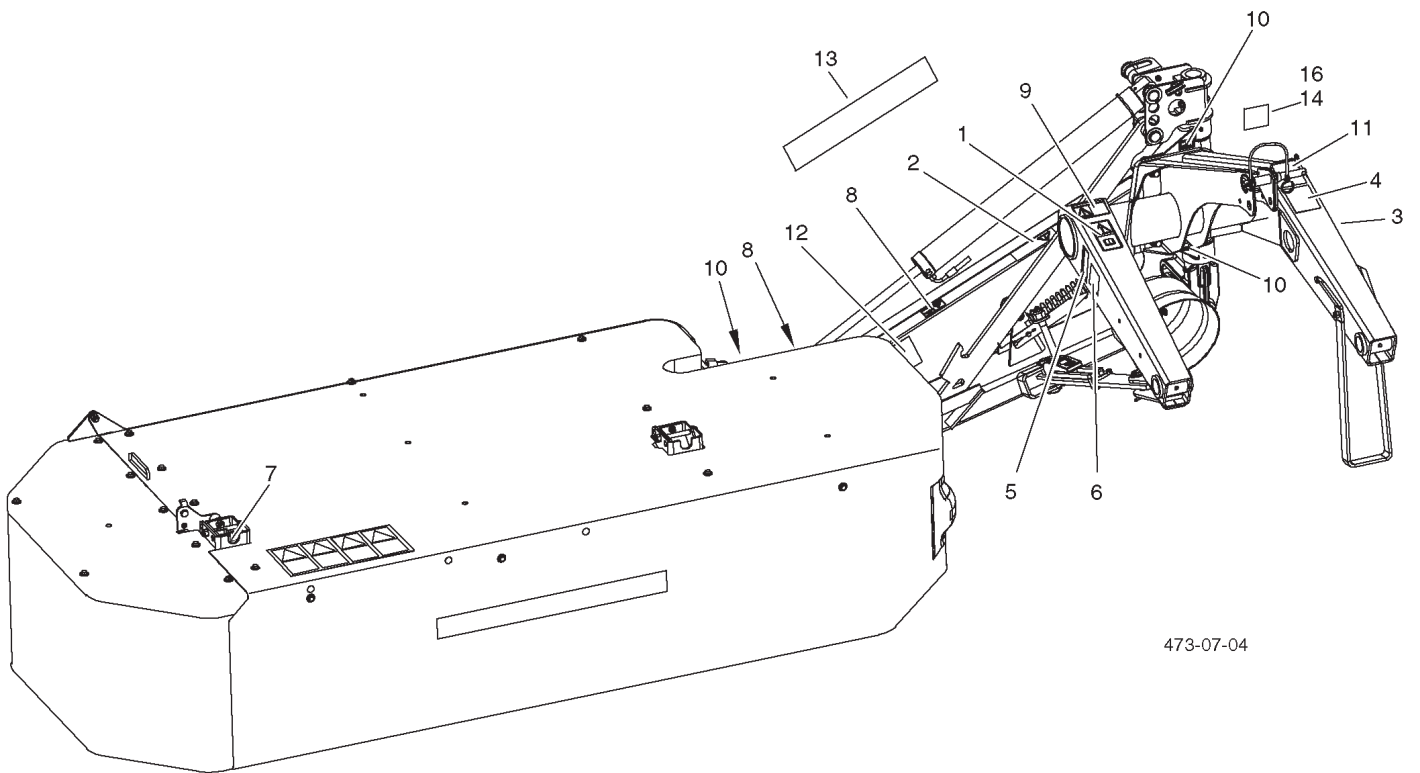
PNR	TEILE-NR	MENGE	BENENNUNG	DESIGNATION	DESCRIPTION	BEMERK/REMARQUE	FU
0.01	00	387.15.001.0	1 ENTLASTUNG	DECHARGE	SUPPORT		
1	00	107.176	1 AUGENSCHR. LB M 16X160 DIN 444	VIS A OEIL	EYE SCREW		
2	00	122.009	1 SK-MUTTER M16 DIN 985-8 ZN	ECROU M16	NUT M16		
3	00	435.420	1 ZUGFEDER 9/55X510	RESSORT	EXTENSION SPRING		
4	00	209.12.133.0	1 BOLZEN	AXE	PIN		
5	00	435.412	1 ZUGFEDER DM15,00/DM85,00X974	RESSORT	EXTENSION SPRING		
6	00	389.15.024.1	1 FEDERLASCHE	LAME RESSORT	SPRING LATCH		
7	00	212.16.009.0	1 BOLZEN	AXE	PIN		
8	00	162.426	2 SCHEIBE 20,50/30X1,00 ST12.03	RONDELLE	WASHER		
9	00	157.018	2 SICHERUNGSRING 20X1,2 DIN 471	SEGMENT D'ARRET	CIRCLIP		
10	00	157.022	2 SICHERUNGSRING 25X1,2 DIN 471	SEGMENT D'ARRET	CIRCLIP		
11	00	387.15.030.0	1 DROSSEL	PAPILLON	THROTTLE		
12	00	442.457	1 HYDRAULIK-ZYLINDER 60-25-680	VERIN HYDRAULIQUE	HYDR.CYLINDER		
12.01	00	442.250.001	1 DICHTSATZ	GARNITURE DE JOINTS	SET OF GASKETS		
13	00	385.10.067.0	1 DISTANZHUELSE	DOUILLE D'ECARTEMENT	SPACER		
14	00	448.052	1 STAUBKAPPE	CACHE ROUGE	CAP		
15	00	385.10.075.0	1 EINSCHRAUBSTUTZEN	TUBULURE FILETEE	THREADED SLEEVE		
16	00	448.086	1 STECKKUPPLUNG	ACCOUPLLEMENT A ENF.	PLUG-IN COUPLING		
17	00	122.106	1 SI-MUTTER M8 DIN 980-8	ECROU M8 DIN 980	NUT M8 DIN 980		
18	00	162.402	2 SCHEIBE 24X8,5X1,5	RONDELLE 24X8,5X1,5	WASHER 24X8,5X1,5		
19	00	103.045	1 SK-SCHR. M8X30 DIN 933-8.8	VIS M8X30	SCREW M8X30		
20	00	157.026	2 SICHERUNGSRING 30X1,5 DIN 4	SEGMENT D'ARRET	CIRCLIP		
21	00	163.109	2 SCHEIBE 50/30,2X1,5	RONDELLE	WASHER		
22	00	385.10.037.1	1 ZYLINDERBOLZEN	AXE	BOLT		
23	00	348.42.025.0	1 U-BUEGEL	ETRIER EN U	U-STRAP		
24	00	475.172	1 KABELBINDER	ATTACHE-CABLE	STRIP		
25	00	447.2.227	1 HYDR.SCHLAUCH NW 6X 3000	TUYAU NW 8X570	TUBE NW 8X570	(30	
26	00	448.1.042	1 GERADE EINSCHRAUBVERSCHRAUBUNG	VISSAGE	THREADED UNION		
27	00	385.10.092.1	1 BOLZEN SZ.	AXE	PIN		
28	00	118.015	1 SK-SCHR. M10X20 DIN 7500	VIS M10X20	SCREW M10X20		
29	00	353.85.033.0	1 HUELSE	DOUILLE	SLEEVE		
30	00	415.579	2 O-RING 6.5X1.5	JOINT TORIQUE	O-RING		
31	00	162.427	3 SCHEIBE 34X25,2X2 ZN	RONDELLE 34X25,2X2	WASHER 34X25,2X2		



PNR	TEILE-NR	MENGE	BENENNUNG	DESIGNATION	DESCRIPTION	BEMERK/REMARQUE	FU
0.01	00 385.80.001.0	1	ANTRIEB ZUS.	ENTRAINEMENT	DRIVE		
0.02	00 385.80.002.0	1	LAGERWIPPE KPL.	SUPPORT DE PALIER	BEARING BRACKET	(41-50)	
2	00 385.80.025.0	1	BOLZEN	AXE	PIN		
3	00 385.80.055.0	1	SPANNSCHEIBE	RONDELLE	CLAMPING ROLLER		
4	00 122.344	2	SCHEIBE 45X35X1 DIN 988	RONDELLE	WASHER		
5	00 435.151	1	DRUCKFEDER	RESSORT DE PRESSION	SPRING		
6	00 460.905	1	KEILRIEMENSCHLEIBE SPB 4-RILLIG	POULIE A GORGE	PULLEY, LARGE		
7	00 162.426	4	SCHEIBE 20,50/30X1,00 ST12.03	RONDELLE	WASHER		
8	00 150.128	2	PASSFEDER A 10X8X80 DIN 6885	CLAVETTE	KEY		
9	00 157.825	2	SICHERUNGSR.AS35-06-044 DIN471	BAGUE AS35-06-044	RING AS35-06-044		
10	00 157.817	2	SICHERUNGSRING	SEGMENT D'ARRET	CIRCLIP		
11	00 163.116	4	SCHEIBE 45/35,5X2,5	RONDELLE	WASHER		
12	00 172.969	2	SPANNSTIFT 8X45 DIN 1481	GOUPILLE 8X45	ROLLPIN 8X45		
13	00 120.379	1	SK-MUTTER M20 DIN 936 KL.8	ECROU M20	NUT M20		
14	00 385.80.053.0	1	SPANNBOLZEN	BOULON DE SERRAGE	TENSIONING BOLT		
15	00 179.058	7	BLINDNIETE 5X10,3	FAUX RIVET	BLIND RIVET		
16	00 162.404	7	SCHEIBE 20X10,5X1,5 ZN	RONDELLE 20X10,5X1,5	WASHER 20X10,5X1,5		
17	00 122.107	4	SI-MUTTER M10 DIN 980-8	ECROU M10 DIN 980	NUT M10 DIN 980		
18	00 120.160	1	SK-MUTTER M10 DIN 934-8 ZN	ECROU M10 DIN 934-8	NUT M10 DIN 934-8		
19	00 103.865	1	SK-SCHRAUBE M10X150	VIS	SCREW		
20	00 385.80.040.0	1	RIEMENSCHUTZ AUSSEN	PROTECTION	SHIELD		
21	00 385.80.041.1	1	RIEMENSCHUTZ INNEN	PROTECTION	GUARD		
22	00 118.005	2	GEWINDEFORMSCHRAUBE M 6X12-8.8	VIS TARAUEUSE	STUD		
23	00 118.015	2	SK-SCHR. M10X20 DIN 7500	VIS M10X20	SCREW M10X20		
24	00 103.065	3	SK-SCHR. M10X30 DIN 933-8.8 ZN	VIS M10X30	SCREW M10X30		
25	00 385.80.054.0	1	ZEIGER	INDICATEUR	INDICATOR		
26	00 385.80.046.0	1	LASCHE	ECLISSE	PLATE		
27	00 385.80.047.0	1	HUELSE	DOUILLE	SLEEVE		
28	00 385.80.048.0	1	ABDECKUNG GR.	PANNEAU	COVER		
29	00 385.80.049.0	1	ABDECKUNG KL.	PANNEAU	COVER		
30	00 385.80.050.0	1	SCHUTZHALTER	SUPPORT PROTECT.	PROTECTION HOLDER		
34	00 385.10.085.0	1	KUFE FUER KEILRIEMENSCHUTZ SZ	PATIN	SLIDE SOLE		
41	00 457.665	1	SCHUTZTOPF	CUVETTE DE PROTEC.	COVER		
42	00 385.80.010.0	1	ANTRIEBSWELLE	ARBRE D'ENTRAINEMENT	SHAFT		
43	00 385.80.020.0	1	LAGERWIPPE SZ.	SUPPORT DE PALIER	BEARING BRACKET		
44	00 157.147	1	SICHERUNGSRING 72X2,5	SEGMENT D'ARRET	CIRCLIP		
45	00 400.275	2	RILLENKUGELLAGER 6207 DIN 625	ROULEM.DE BUTE 6207	BEARING 6207		
46	00 157.029	1	SICHERUNGSRING 35X1,5	SEGMENT D'ARRET	CIRCLIP		
47	00 162.704	1	SCHEIBE 45X35,5X2,5	RONDELLE	WASHER		
48	00 103.044	4	SK-SCHR. M8X25 DIN 933-8.8	VIS M8X25	SCREW M8X25		
49	00 122.106	4	SI-MUTTER M8 DIN 980-8	ECROU M8 DIN 980	NUT M8 DIN 980		
50	00 162.402	4	SCHEIBE 24X8,5X1,5	RONDELLE 24X8,5X1,5	WASHER 24X8,5X1,5		



PNR	TEILE-NR	MENGE	BENENNUNG	DESIGNATION	DESCRIPTION	BEMERK/REMARQUE	FU
0.01	00 378.46.001.0	1	SCHWADSCHLEIBE ZUS.	DISQUES D'ANDAINAGE	SWATH DISC		
1	00 378.46.002.0	2	ZUSATZSCHLEIBE ZUS.	ANDAINÉUSES	SWATH PLATE	(21-32	
2	00 367.41.032.0	1	NABE RE.SZ.	MOYEU DROITE	HUB RIGHT	R	
3	00 367.41.031.0	1	NABE LI.SZ.	MOYEU GAUCHE	HUB LEFT	L	
5	00 103.112	2	SK-SCHRAUBE M14X55 DIN 933	VIS	SCREW		
6	00 120.162	2	SK-MUTTER M14 DIN 934-8 ZN	ECROU HEXAGONAL M14	NUT M14		
7	00 157.022	2	SICHERUNGSRING 25X1,2 DIN 471	SEGMENT D'ARRET	CIRCLIP		
8	00 162.427	8	SCHLEIBE 34X25,2X2 ZN	RONDELLE 34X25,2X2	WASHER 34X25,2X2		
9	00 410.627	8	GLACIER-BUECHSE PM 2515 DX	DOUILLE GLACEE	BUSH		
10	00 417.915	2	VERSCHLUSSTOPFEN GPN 300 F9	BOUCHON	PLUG		
11	00 435.326	1	ZUGFEDER	RESSORT DE TRACTION	SPRING		
12	00 438.016	2	KLAPPVORSTÉCKER 5X32 DIN 11023	GOUILLE FENDUE	PIN LINCH		
21	00 367.41.020.0	1	ROHRBOGEN SZ.	TUYAU COURBE	PIPEBOW		
22	00 330.41.013.1	1	FLANSCHPLATTE SZ.	PLAQUE DE FLASQUE	FLANGE PLATE		
23	00 333.41.039.0	1	STUETZSCHLEIBE	RONDELLE D'APPUI	SUPPORTING WASHER		
24	00 104.760	11	LIKO-SCHRAUBE M 8X 25	VIS	SCREW		
25	00 122.106	11	SI-MUTTER M8 DIN 980-8	ECROU M8 DIN 980	NUT M8 DIN 980		
26	00 155.022	1	SICHERUNGSRING 25X1,2 DIN 471	SEGMENT D'ARRET	CIRCLIP		
27	00 162.402	8	SCHLEIBE 24X8,5X1,5	RONDELLE 24X8,5X1,5	WASHER 24X8,5X1,5		
28	00 162.415	1	SCHLEIBE 44X25,2X2	RONDELLE	WASHER		
29	00 162.439	1	SCHLEIBE 25.2/50X2	RONDELLE	WASHER		
30	00 163.119	1	SCHLEIBE 34X25,2X2	RONDELLE 34X25,2X2	WASHER 34X25,2X2		
31	00 400.171	2	KUGELLAGER 6005 2RS	ROULEMENT A BILLES	BEARING, BALL		
32	00 459.890	1	GUMMISCHLEIBE	RONDELLE CAOUTCHOUC	RUBBER WASHER		



473-07-04

CLICK HERE TO **DOWNLOAD** THE COMPLETE MANUAL

- Thank you very much for reading the preview of the manual.
- You can download the complete manual from: [www.heydownloads.com](http://www.heydownloads.com) by clicking the link below



- Please note: If there is no response to CLICKING the link, please download this PDF first and then click on it.

CLICK HERE TO **DOWNLOAD** THE COMPLETE MANUAL