

## ERSATZTEILLISTE

Spare Parts List  
Catalogue de pièces détachées  
Catalogo parti di ricambio  
Catálogo de recambio

## ELEKTRO SCHLEPPER / WAGEN

Electric Tractor  
Tracteur électrique  
Tractor electrico  
Trattore elettrico

## STILL ELECTRONIC DOCUMENTATION SYSTEM

R 07-25  
R 08-20



bis Fabriknummer 28 0127 9 00022  
Ident. Nr. 0159 399 07.00 - 12.07 R0734 R0807

CLICK HERE TO **DOWNLOAD** THE COMPLETE MANUAL

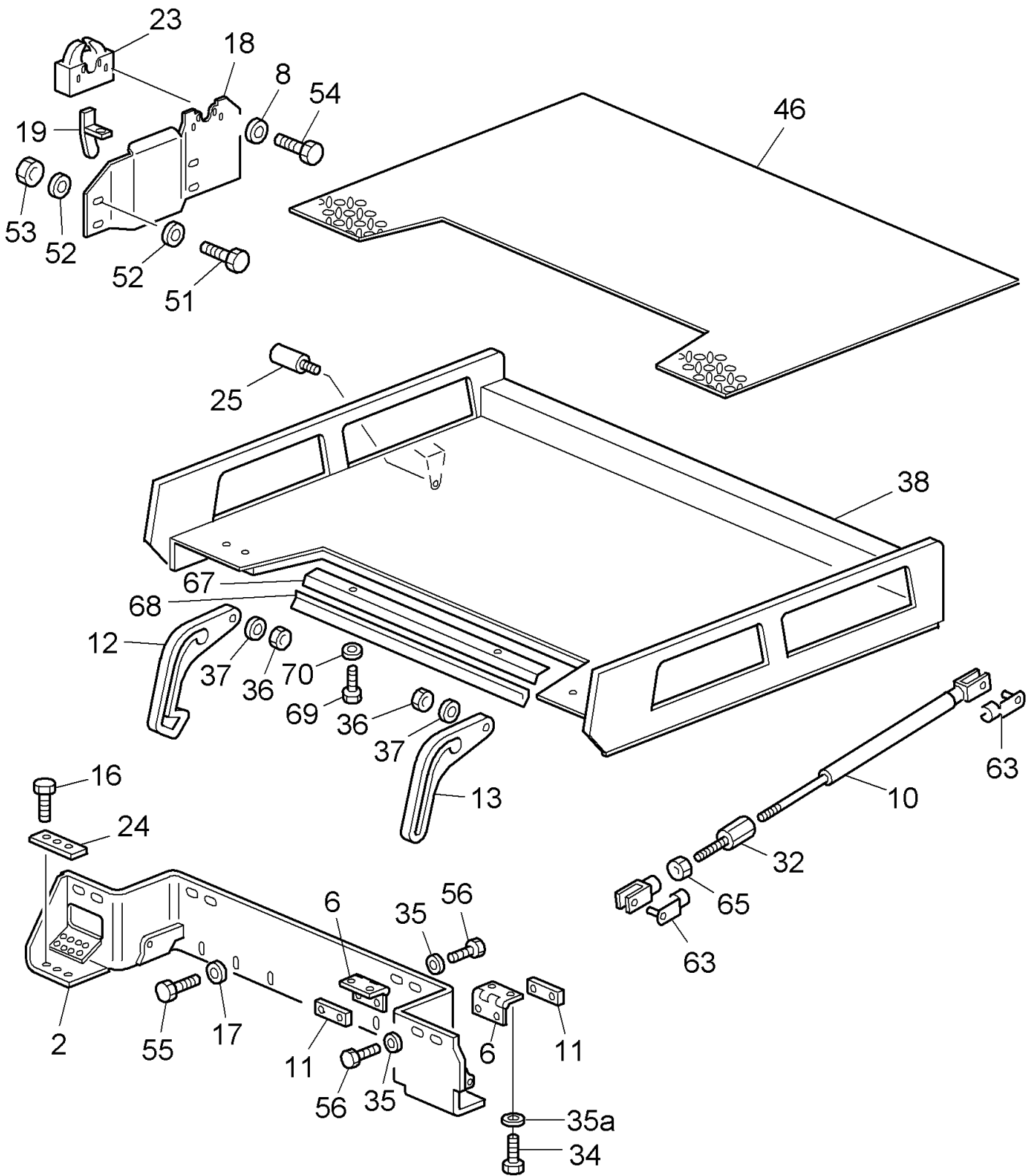
- Thank you very much for reading the preview of the manual.
- You can download the complete manual from: [www.heydownloads.com](http://www.heydownloads.com) by clicking the link below



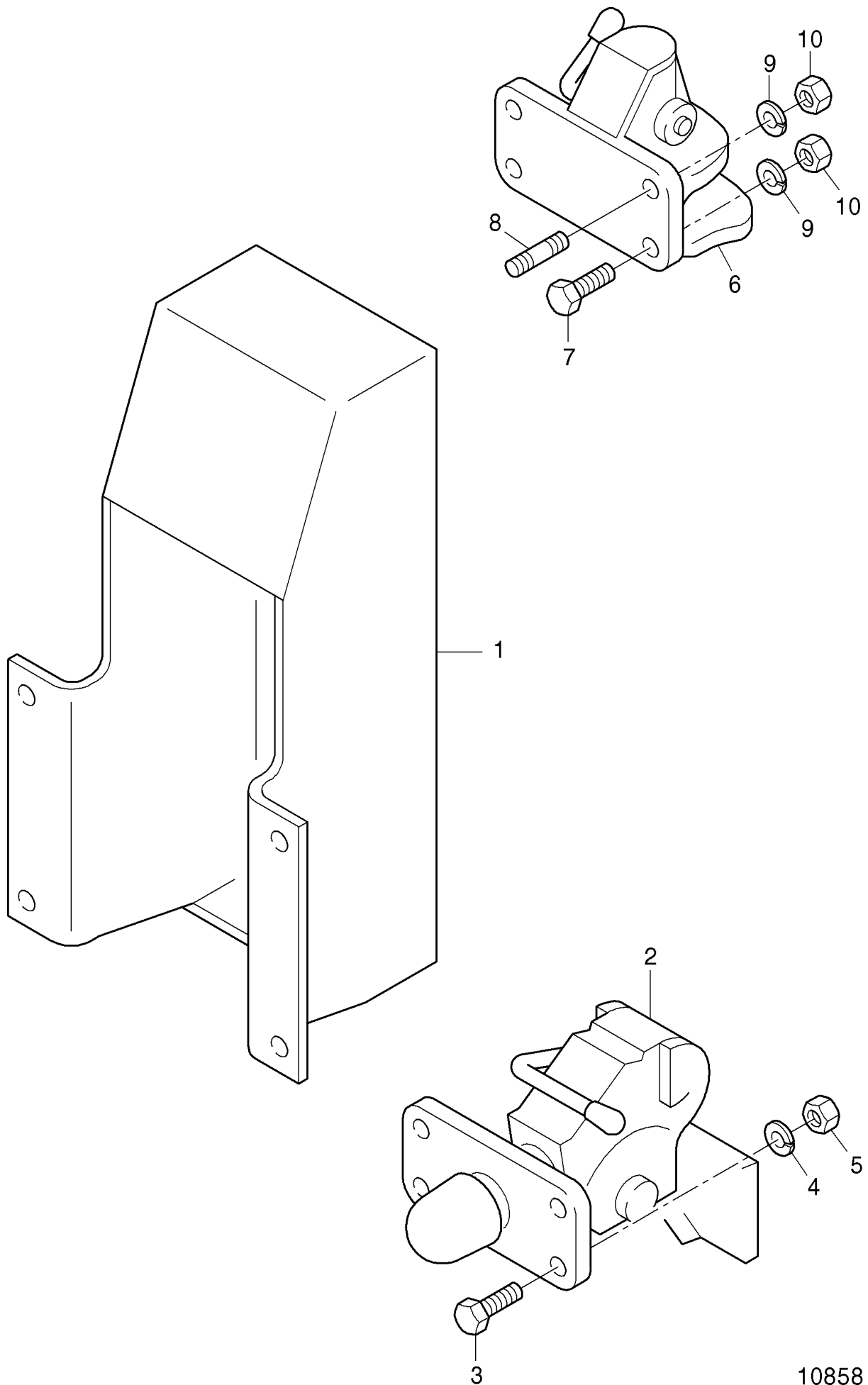
- Please note: If there is no response to CLICKING the link, please download this PDF first and then click on it.

CLICK HERE TO **DOWNLOAD** THE COMPLETE MANUAL

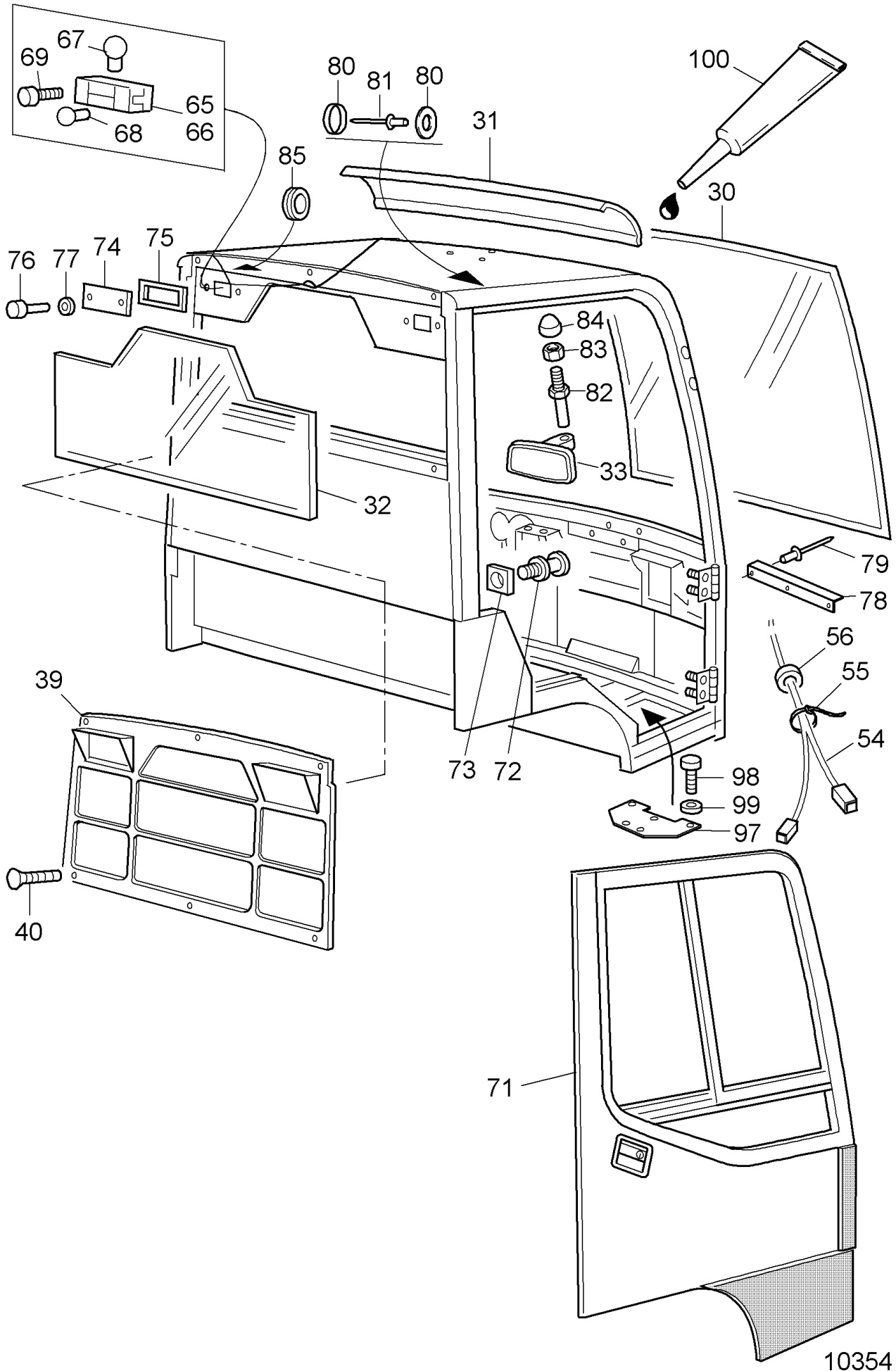








10858



10354



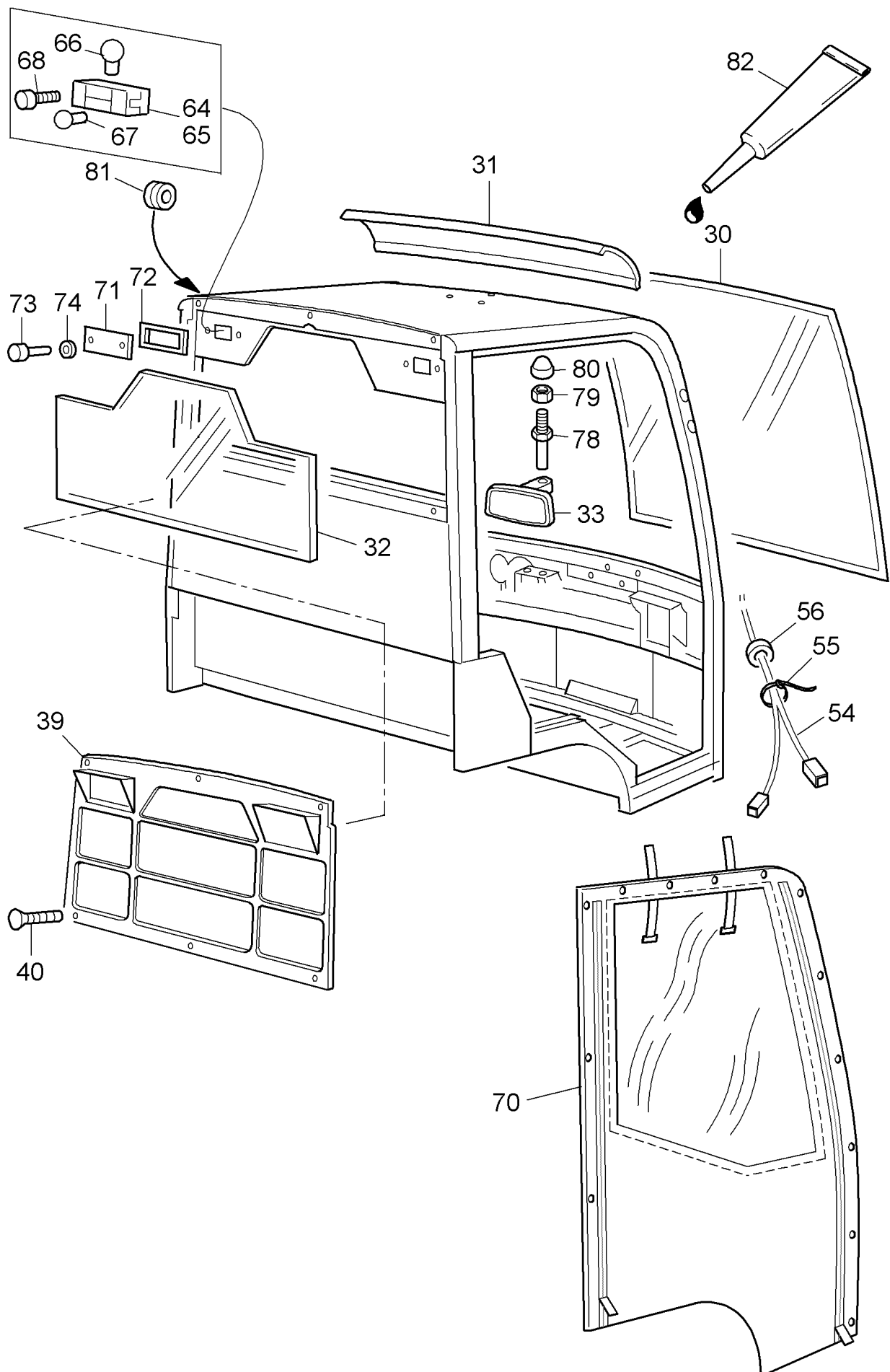




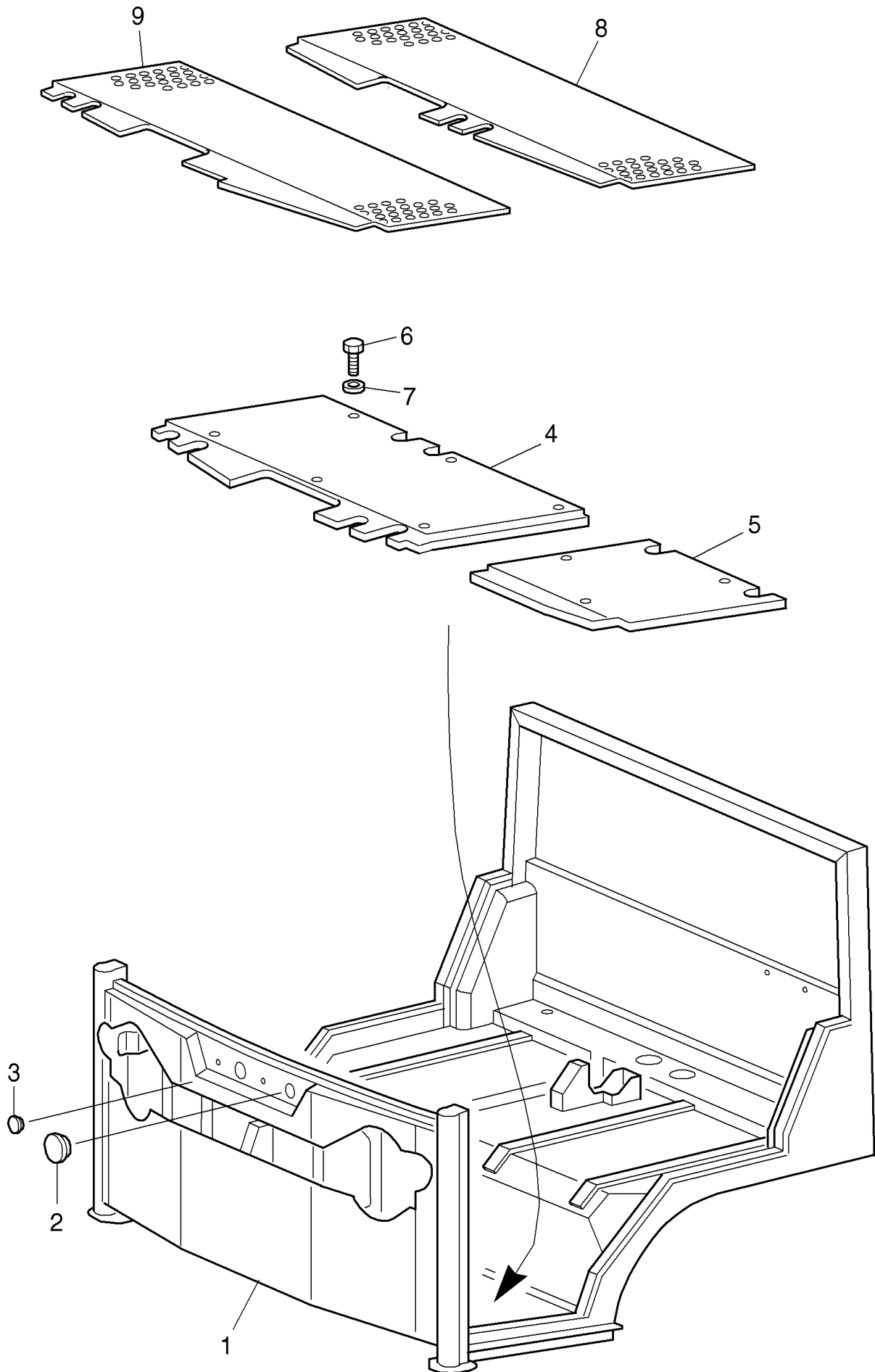






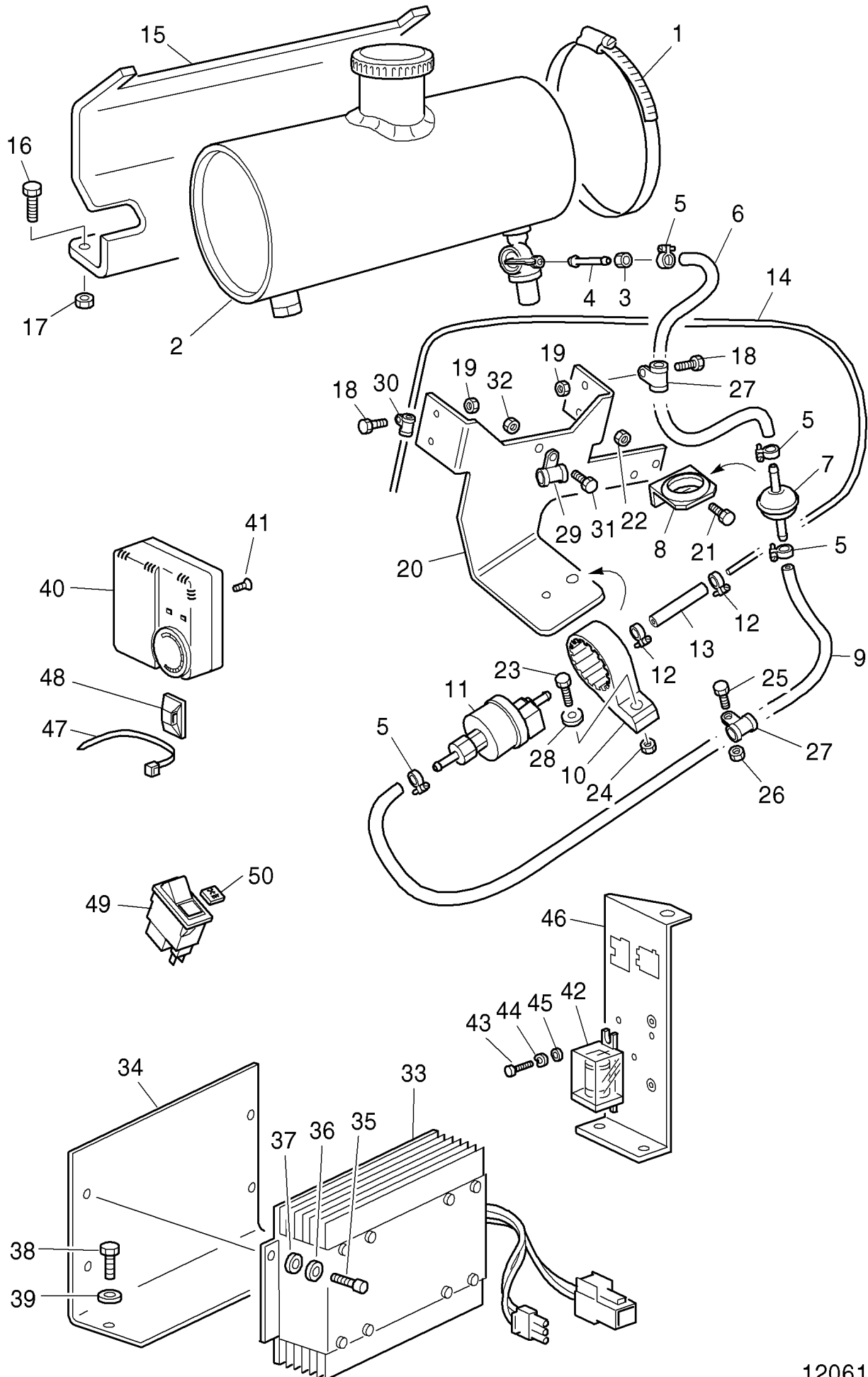


12361

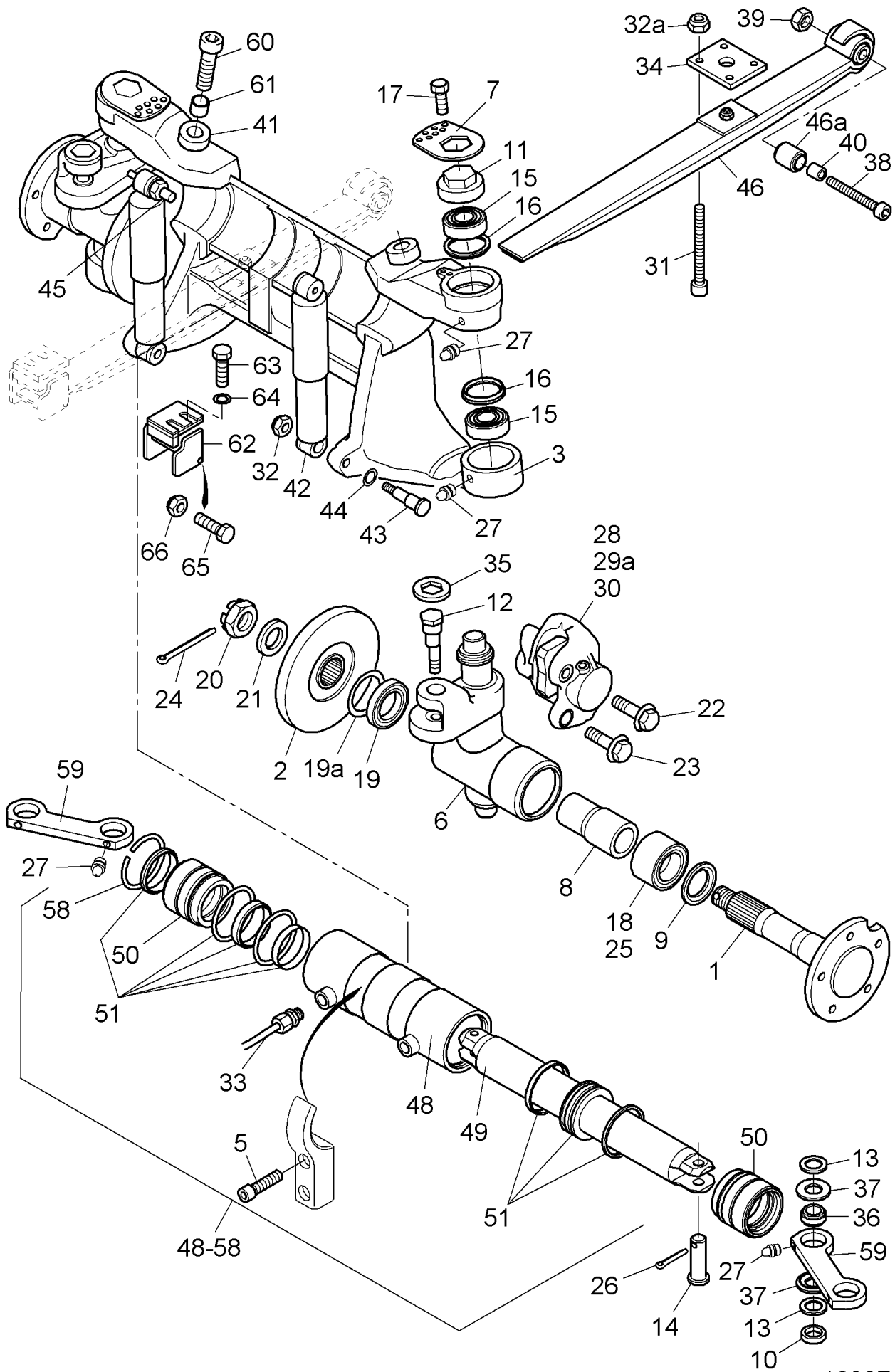


10355





12061



10337

CLICK HERE TO **DOWNLOAD** THE COMPLETE MANUAL

- Thank you very much for reading the preview of the manual.
- You can download the complete manual from: [www.heydownloads.com](http://www.heydownloads.com) by clicking the link below



- Please note: If there is no response to CLICKING the link, please download this PDF first and then click on it.

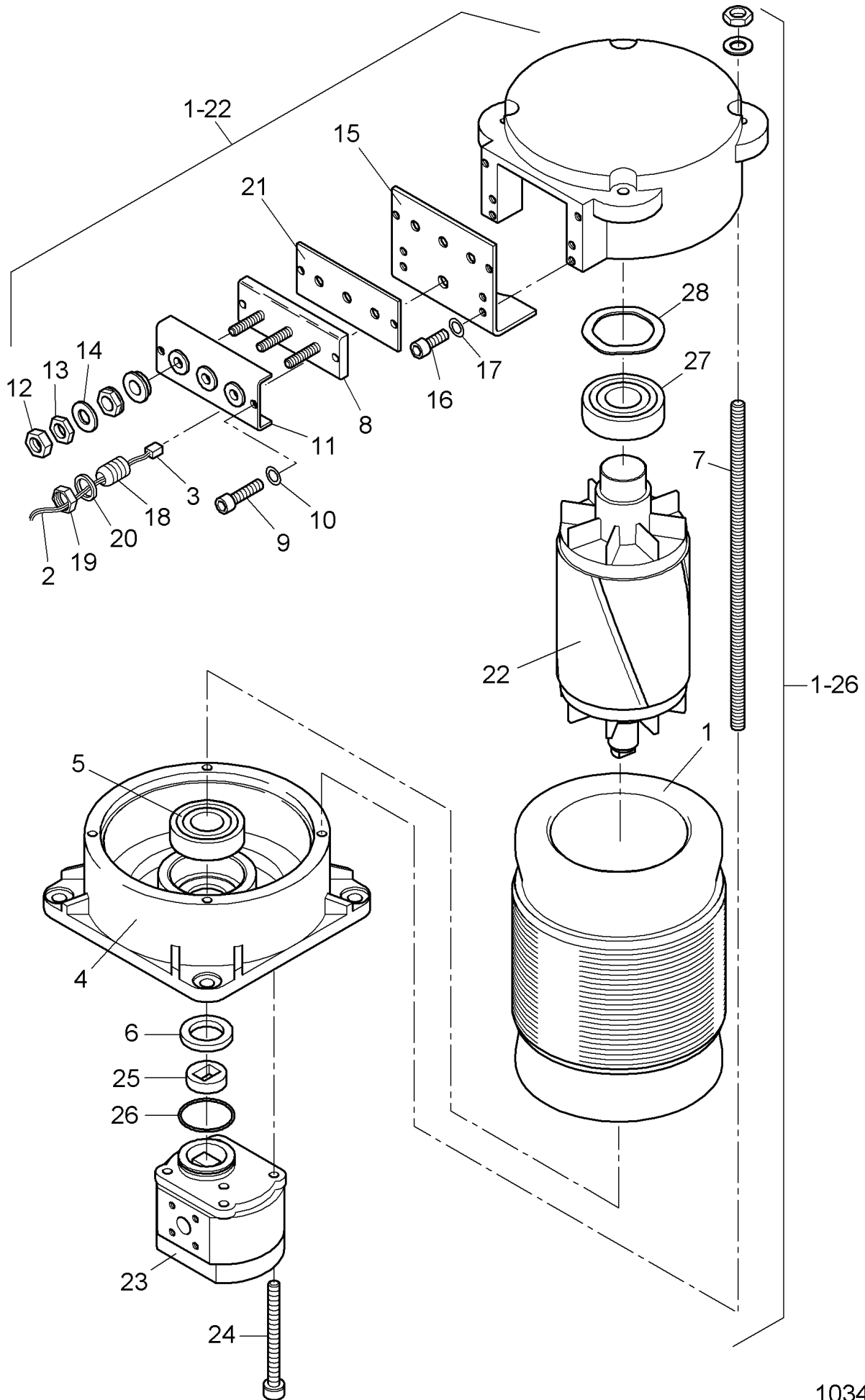
CLICK HERE TO **DOWNLOAD** THE COMPLETE MANUAL









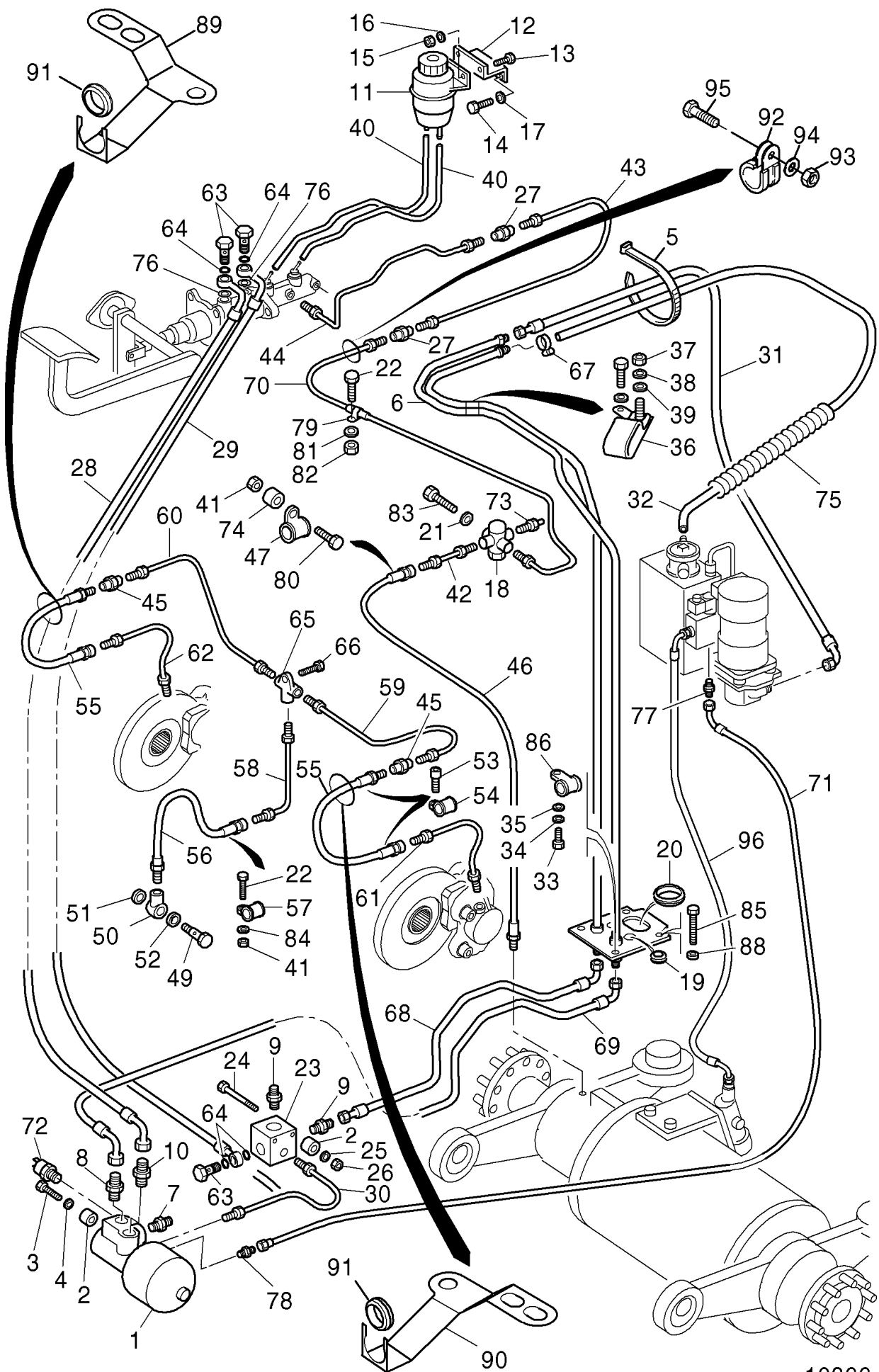


10346

# FOOT BRAKE SYSTEM

R0734; R0807 (127) I

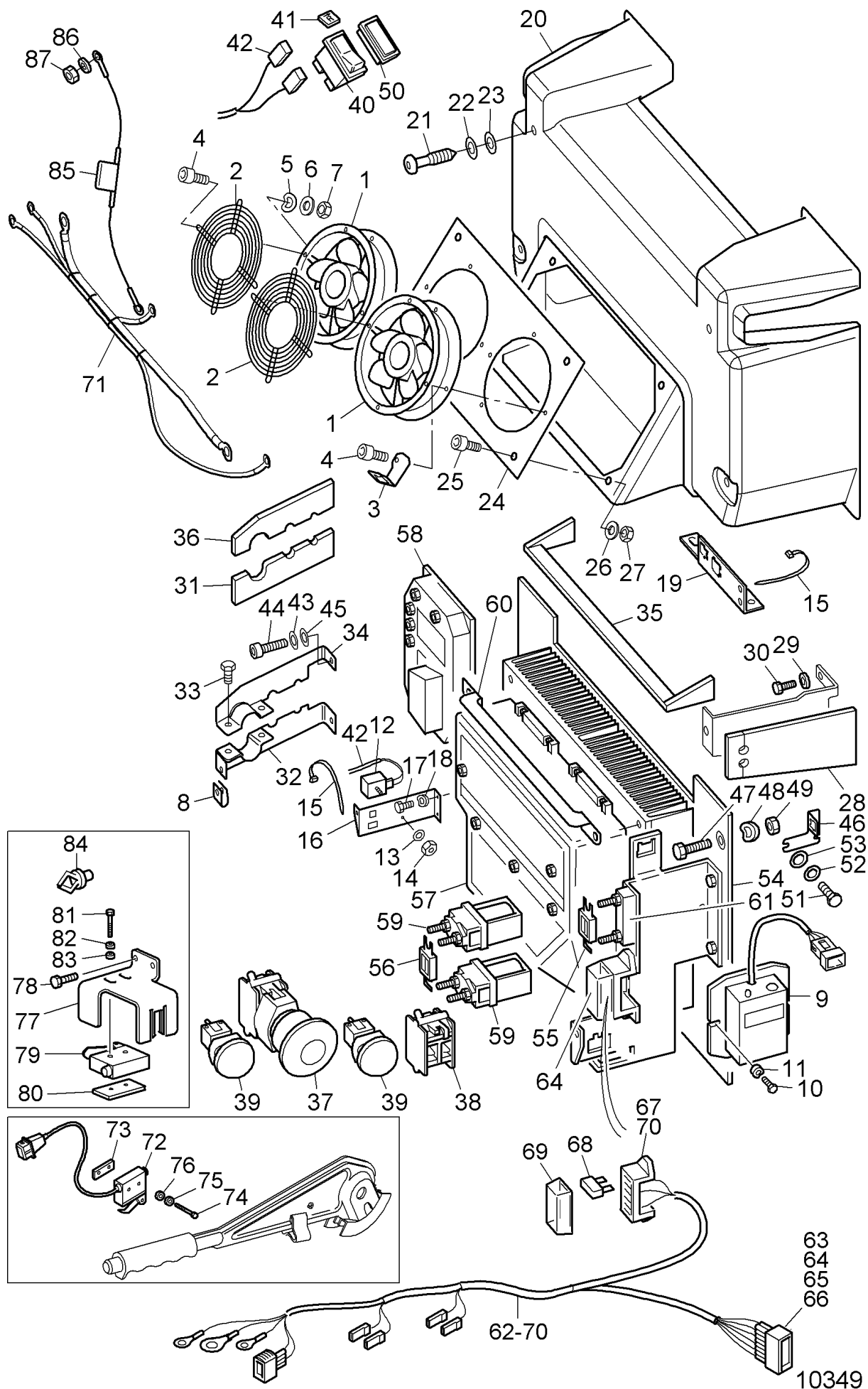
up to serial number 280127600403 (week 5); up to serial number 280127600406 (week 20)

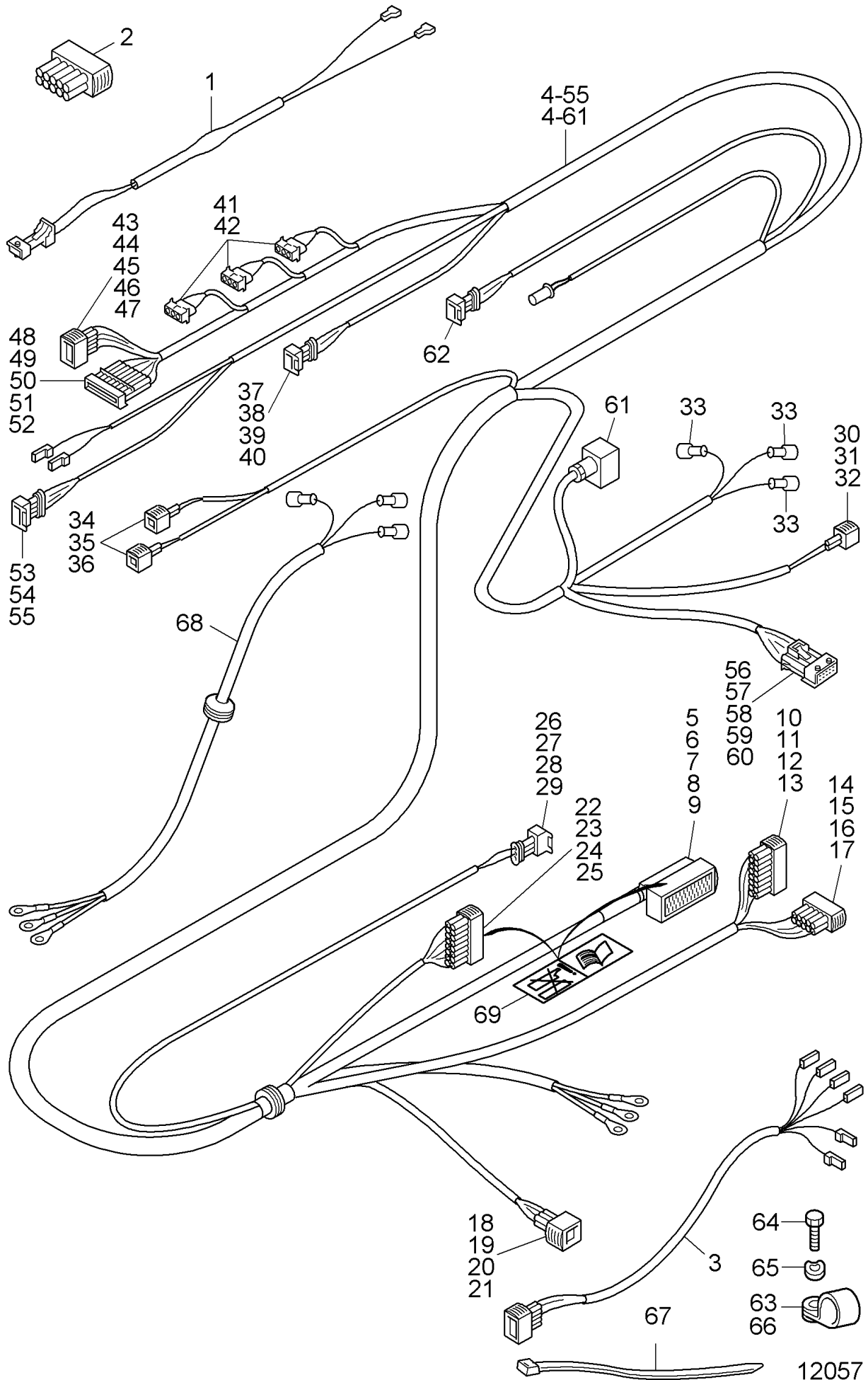


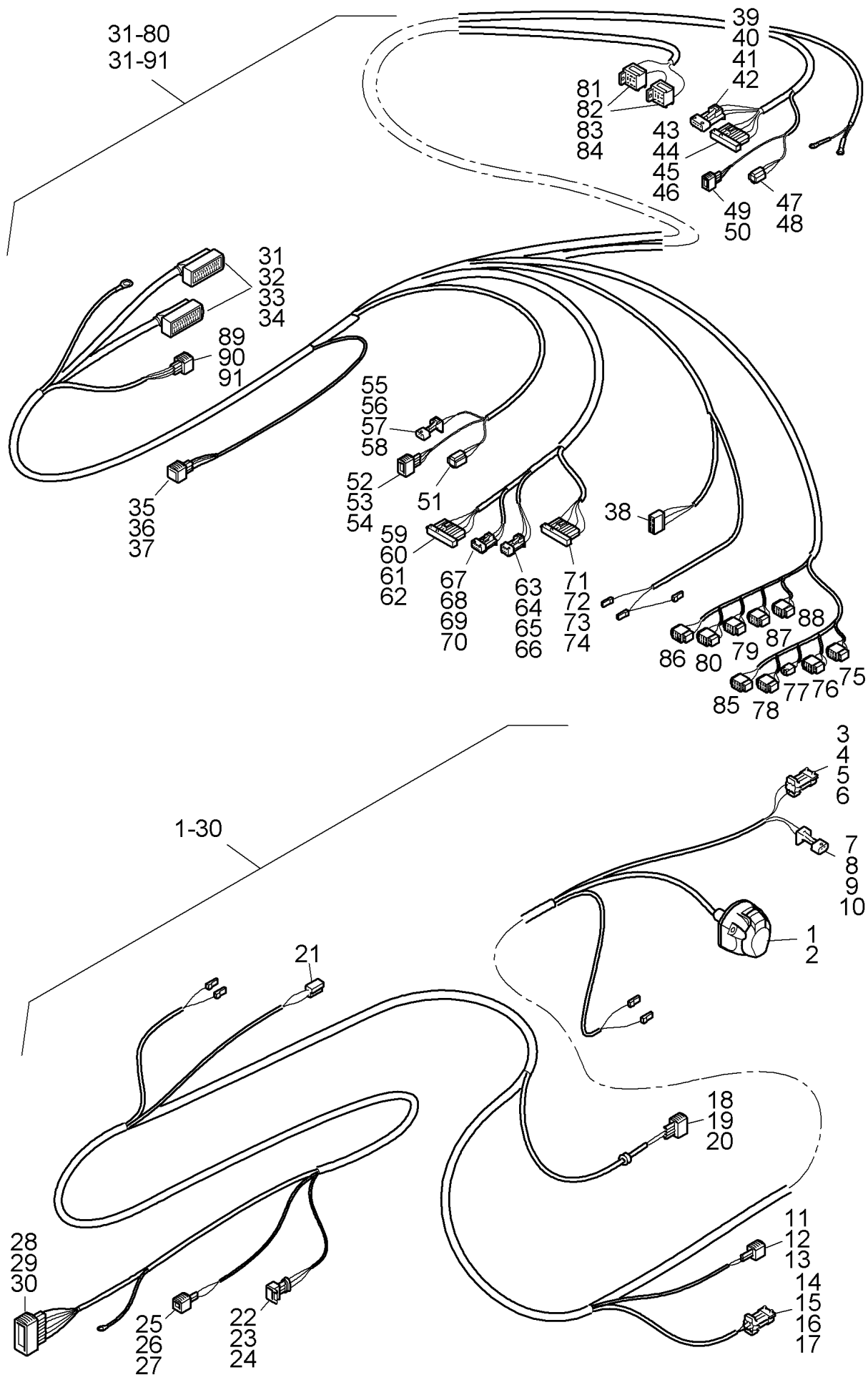
10366





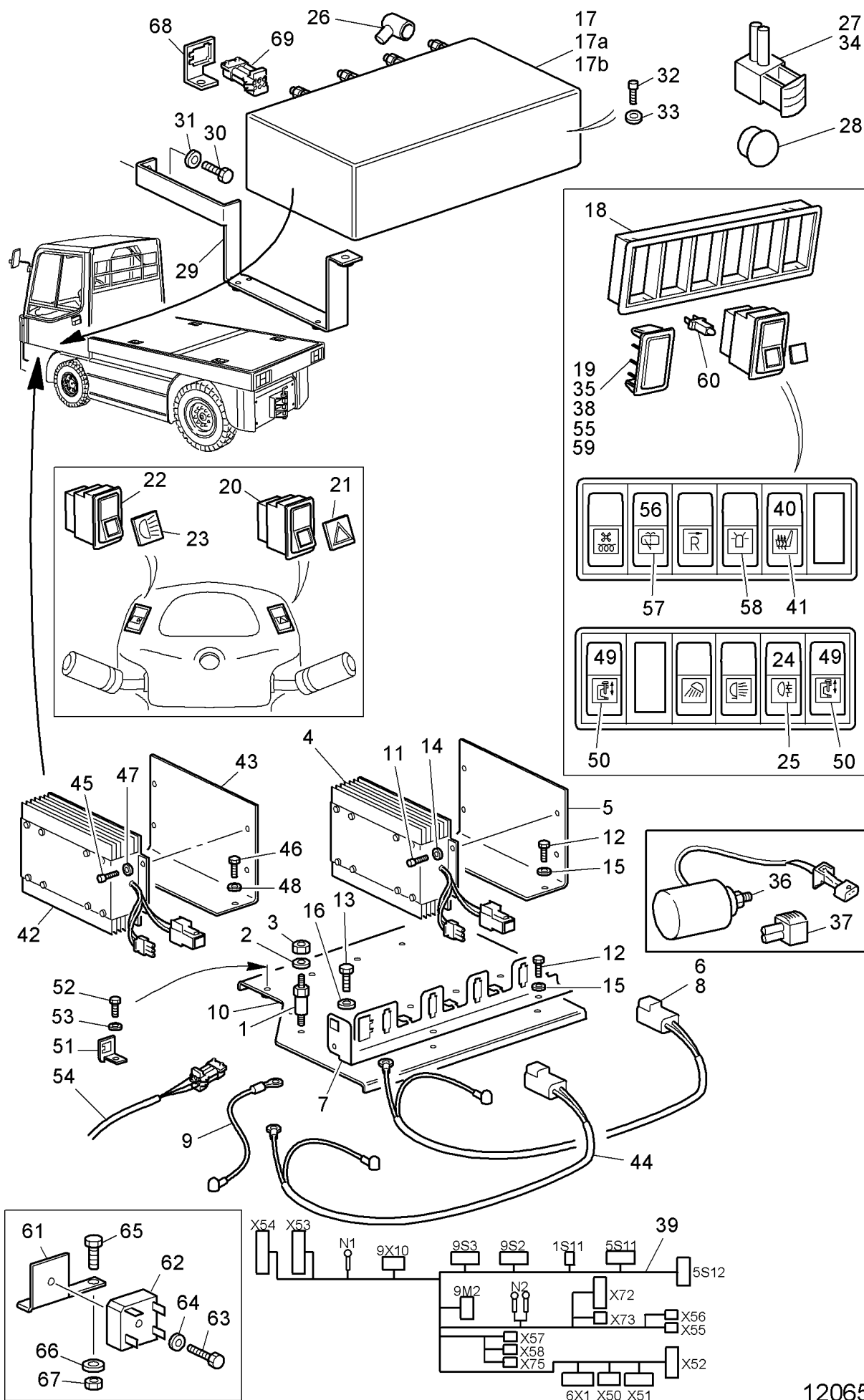






13383





12065



0159426	Page:	38
0159427	Page:	38
0159428	Page:	38
0159429	Page:	38
0159430	Page:	214
0159431	Page:	214
0159433	Page:	214
0159434	Page:	214
0159436	Page:	214
0159438	Page:	62, 74, 136, 214
0159440	Page:	214
0159441	Page:	162, 168
0159442	Page:	162, 168
0159443	Page:	162, 168
0159444	Page:	162, 168
0159445	Page:	162, 168
0159446	Page:	162, 168
0159447	Page:	162
0159448	Page:	162, 168
0159449	Page:	162, 168
0159450	Page:	162
0159451	Page:	162, 168
0159452	Page:	162, 168
0159454	Page:	162, 168
0159455	Page:	162, 168
0159456	Page:	162, 168
0159457	Page:	162, 168
0159460	Page:	162, 168
0159463	Page:	162, 168
0159464	Page:	162, 168
0159466	Page:	164, 170
0159467	Page:	164, 170
0159469	Page:	164, 170
0159470	Page:	164, 170
0159471	Page:	164
0159472	Page:	164, 170
0159473	Page:	164, 170
0159474	Page:	164, 170
0159475	Page:	164, 170
0159476	Page:	164, 170
0159477	Page:	164, 170
0159478	Page:	164, 170
0159479	Page:	164, 170
0159481	Page:	166, 172
0159490	Page:	166, 172

0160389	Page:	224, 232
0160390	Page:	224, 232
0160393	Page:	60
0160394	Page:	60
0160395	Page:	60, 72
0160396	Page:	60, 72
0160397	Page:	60
0160398	Page:	60
0160399	Page:	60, 72
0160400	Page:	60, 72
0160401	Page:	60, 72
0160402	Page:	60, 72
0160403	Page:	60, 72
0160406	Page:	60, 72
0160407	Page:	60, 72
0160408	Page:	60, 72
0160409	Page:	60, 72
0160410	Page:	60
0160411	Page:	60
0160412	Page:	60, 72
0160413	Page:	60, 72
0160414	Page:	60, 72
0160415	Page:	62, 74
0160416	Page:	62, 74
0160417	Page:	62, 74
0160418	Page:	62, 74
0160420	Page:	62, 74
0160421	Page:	62, 74
0160422	Page:	62, 74
0160423	Page:	62, 74
0160424	Page:	52, 62, 64, 74, 76, 90, 104, 112, 114, 120, 126, 132, 134
0160425	Page:	62, 74
0160426	Page:	62, 74, 92
0160427	Page:	62, 74
0160428	Page:	62, 74
0160430	Page:	258
0160431	Page:	258
0160432	Page:	258
0160433	Page:	258
0160434	Page:	258
0160435	Page:	258
0160436	Page:	258
0160437	Page:	258
0160438	Page:	258
0160439	Page:	260

0161734	Page:	278
0161735	Page:	278
0161736	Page:	278
0161762	Page:	256
0161763	Page:	220, 240, 250, 256,
0161764	Page:	16
0161765	Page:	28
0161767	Page:	162, 168
0161768	Page:	86, 100, 108
0161794	Page:	10, 18
0161795	Page:	10, 16
0161796	Page:	12, 18
0161797	Page:	12, 18
0161815	Page:	266
0161817	Page:	266
0161939	Page:	86, 100, 108
0161940	Page:	86, 100
0161941	Page:	92
0161942	Page:	92
0161943	Page:	92
0161946	Page:	90, 104
0161947	Page:	90, 104, 112
0161962	Page:	112
0161995	Page:	278
0161996	Page:	138, 280
0161997	Page:	136
0163328	Page:	182, 194
0163329	Page:	40
0163330	Page:	40
0163331	Page:	240
0163332	Page:	274, 288, 294
0163389	Page:	242
0163420	Page:	306
0163422	Page:	306
0163423	Page:	306
0163502	Page:	162, 170
0163550	Page:	248, 254
0163551	Page:	142
0163553	Page:	142
0163554	Page:	142
0163555	Page:	142
0163632	Page:	274,
0163651	Page:	294
0163652	Page:	294
0163656	Page:	280

CLICK HERE TO **DOWNLOAD** THE COMPLETE MANUAL

- Thank you very much for reading the preview of the manual.
- You can download the complete manual from: [www.heydownloads.com](http://www.heydownloads.com) by clicking the link below



- Please note: If there is no response to CLICKING the link, please download this PDF first and then click on it.

CLICK HERE TO **DOWNLOAD** THE COMPLETE MANUAL