

## ERSATZTEILLISTE

Spare Parts List  
Catalogue de pièces détachées  
Catalogo parti di ricambio  
Catálogo de recambio

## ELEKTRO GABELSTAPLER

Electric Fork Truck  
Chariot élévateur électrique  
Carrello elevatore elettrico  
Carretilla elevadora eléctrica

### STILL ELECTRONIC DOCUMENTATION SYSTEM

## EGV20 - EGV20 LB EGP14 - EGP20

Gültig ab Fabriknummer:  
Valid from serial number:  
Valable à partir du numéro de série:  
Valido desde el número de serie:  
Valido dal numero di serie:

EGV20 = 330223100001  
EGV20 LB = 330233300001  
EGP14 = 330227200001  
EGP20 = 330228200002



first in intralogistics

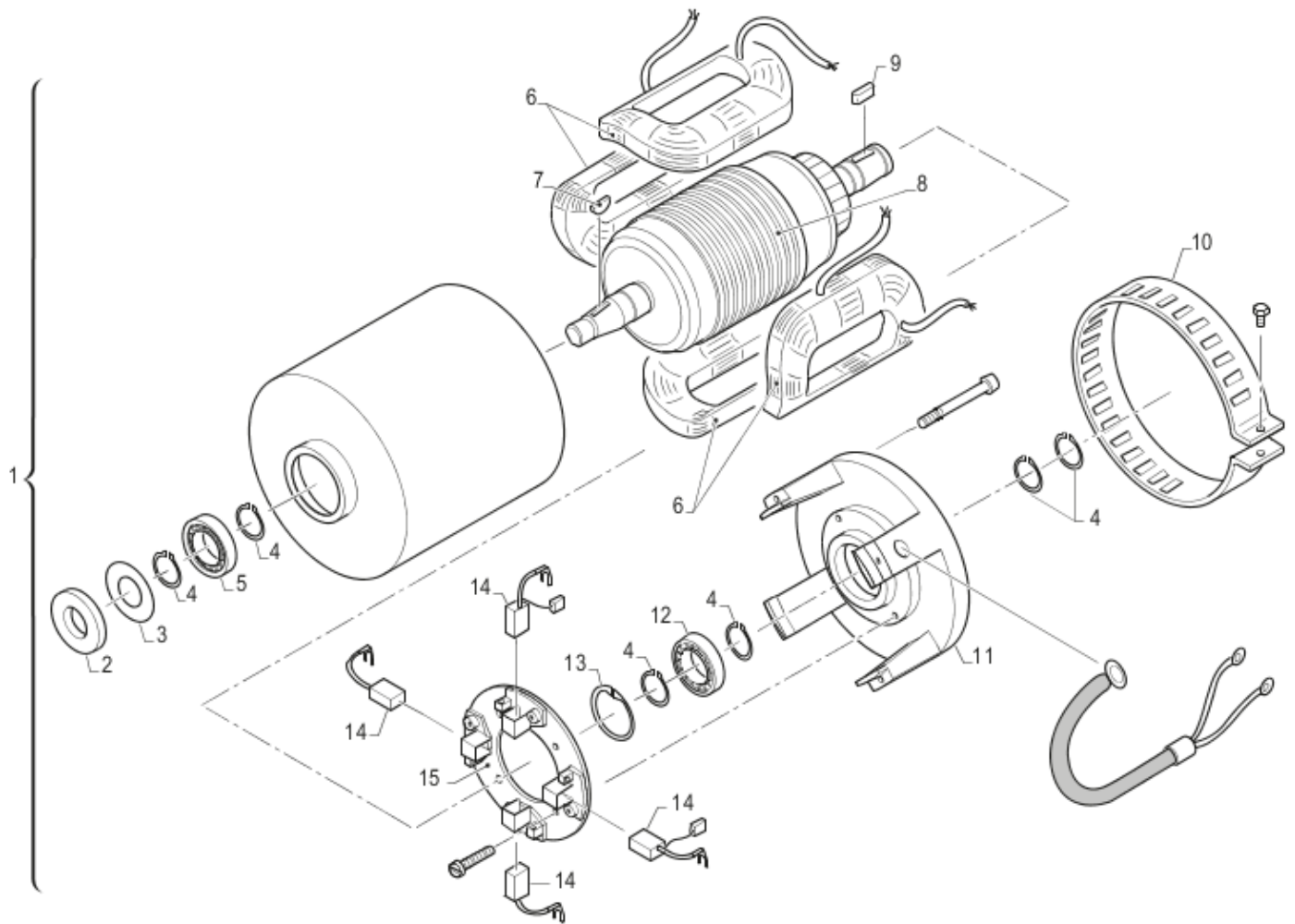
CLICK HERE TO **DOWNLOAD** THE COMPLETE MANUAL

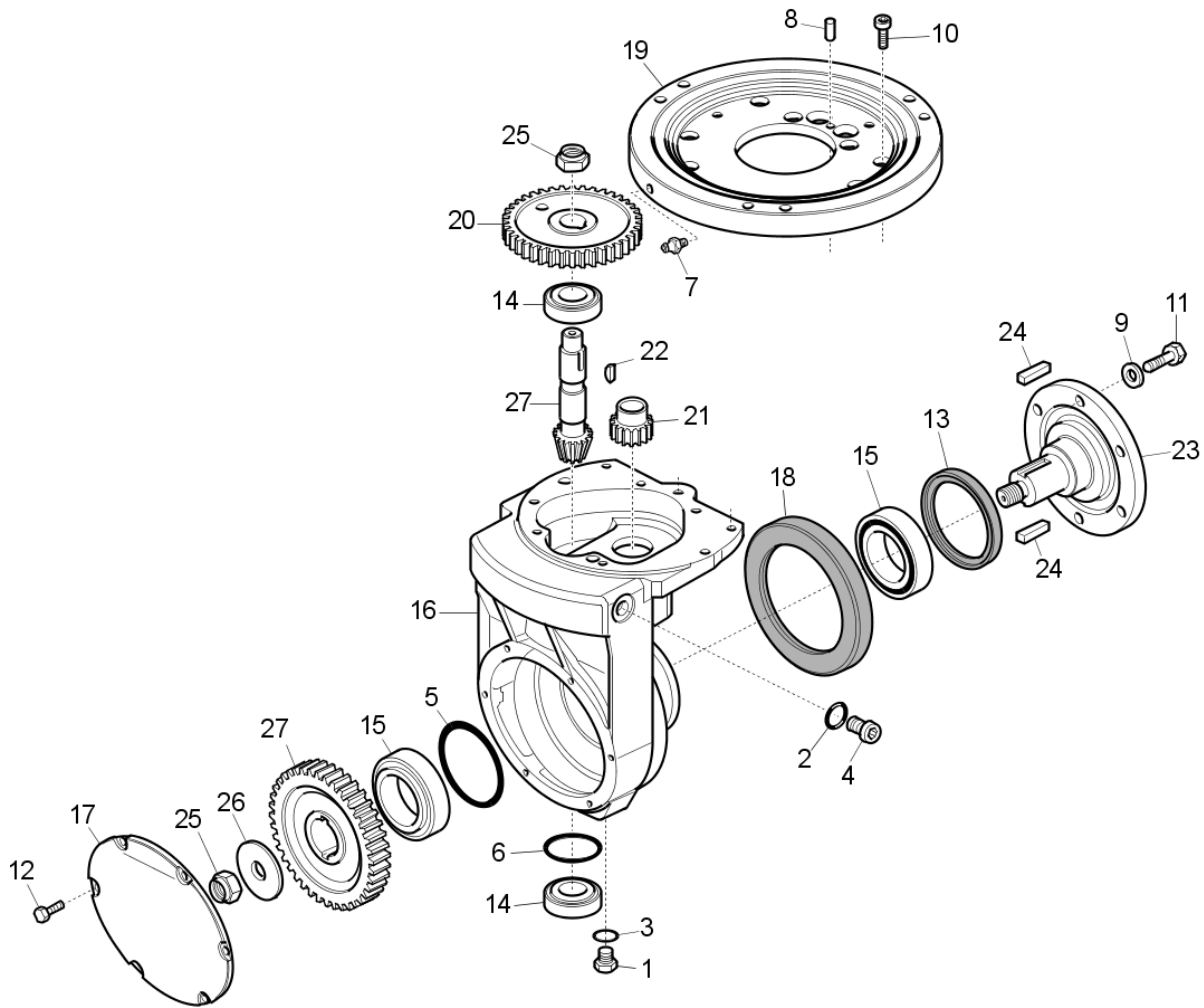
- Thank you very much for reading the preview of the manual.
- You can download the complete manual from: [www.heydownloads.com](http://www.heydownloads.com) by clicking the link below



- Please note: If there is no response to CLICKING the link, please download this PDF first and then click on it.

CLICK HERE TO **DOWNLOAD** THE COMPLETE MANUAL

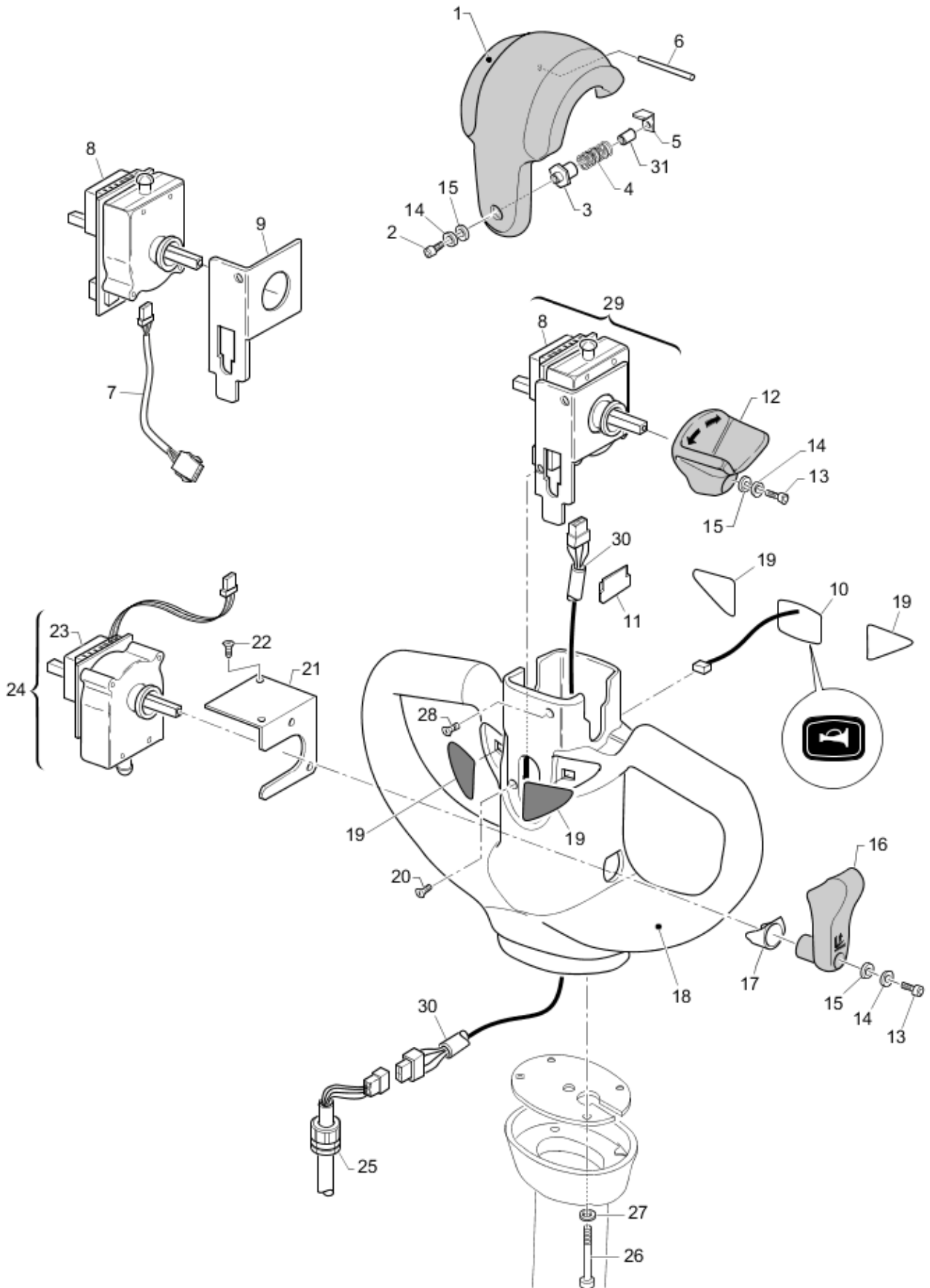


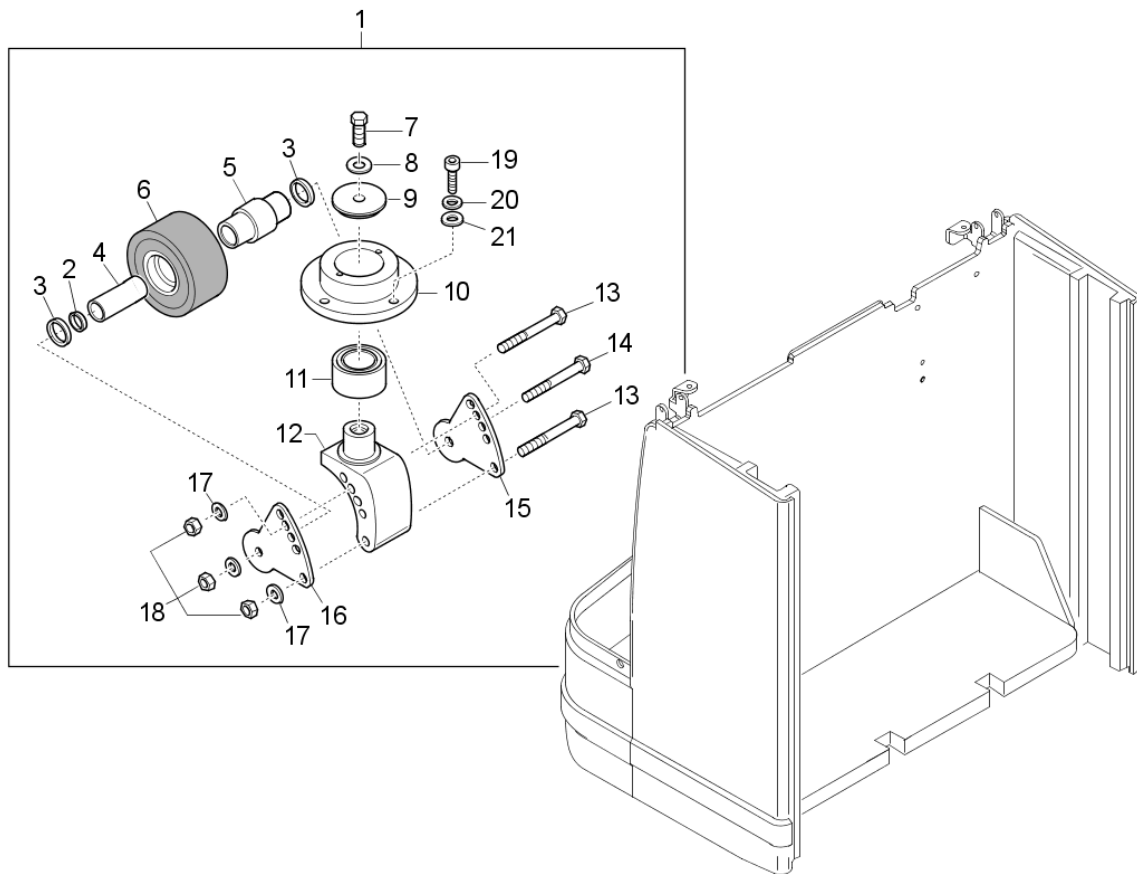


Dis 5398



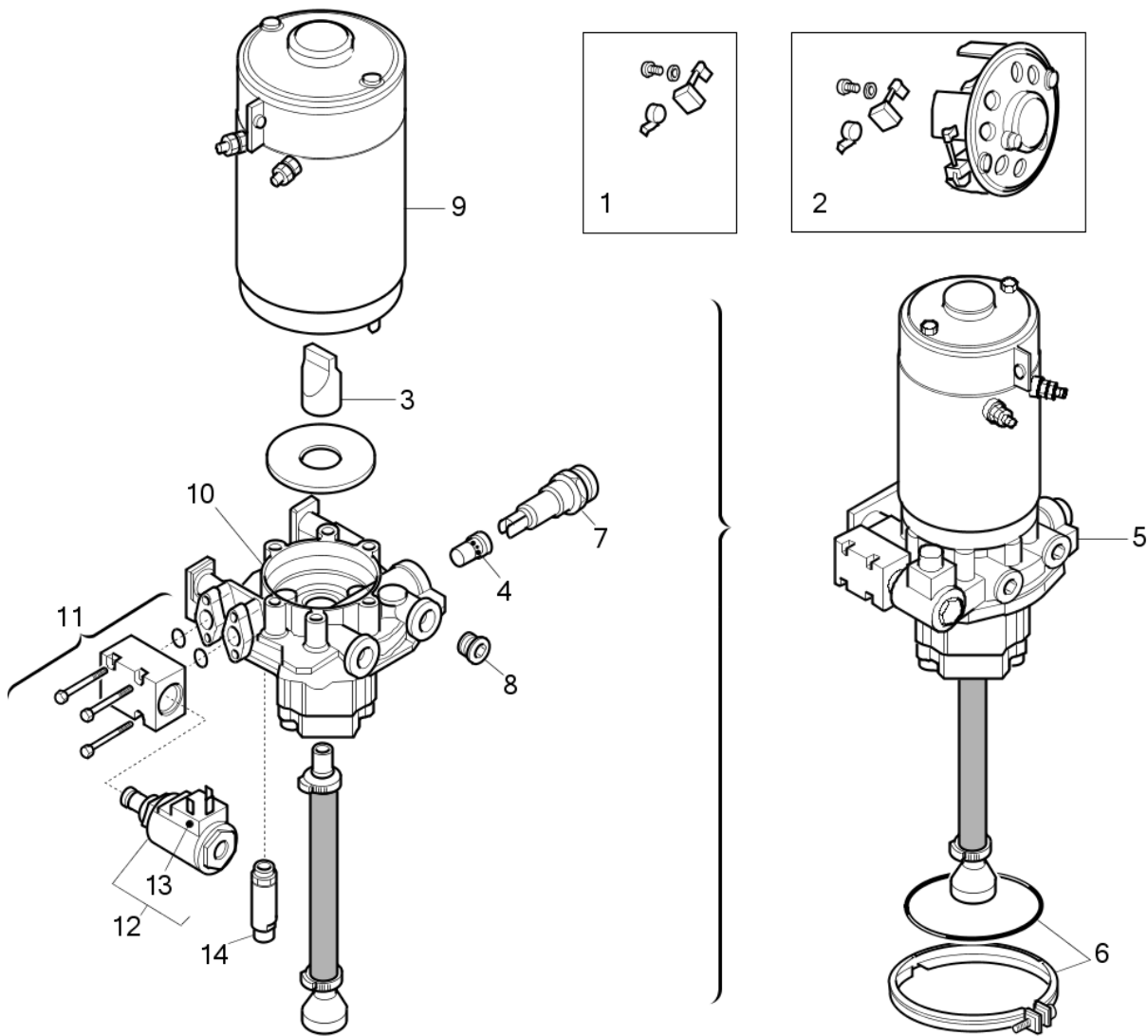




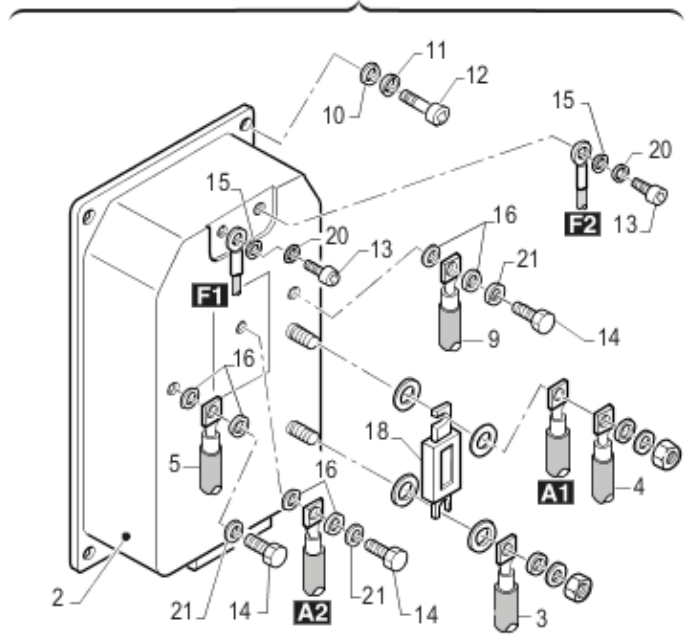
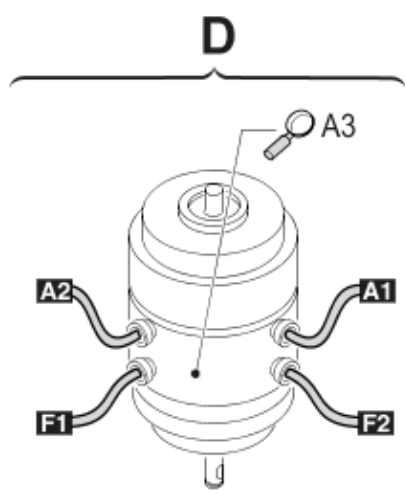
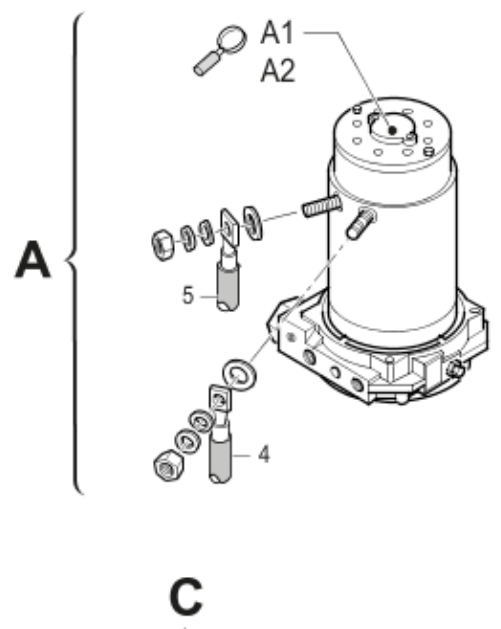
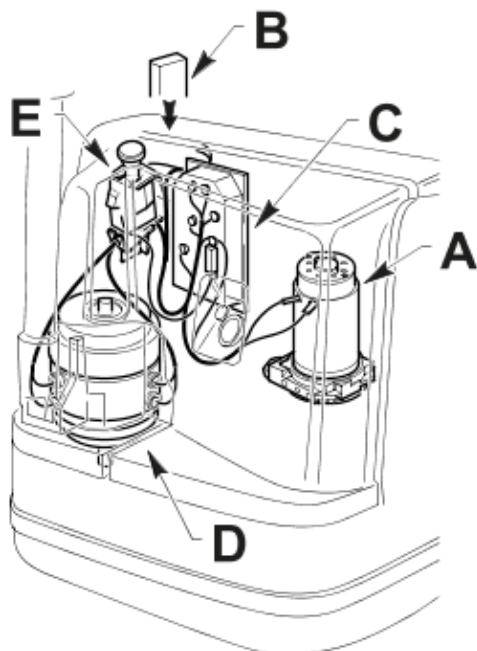
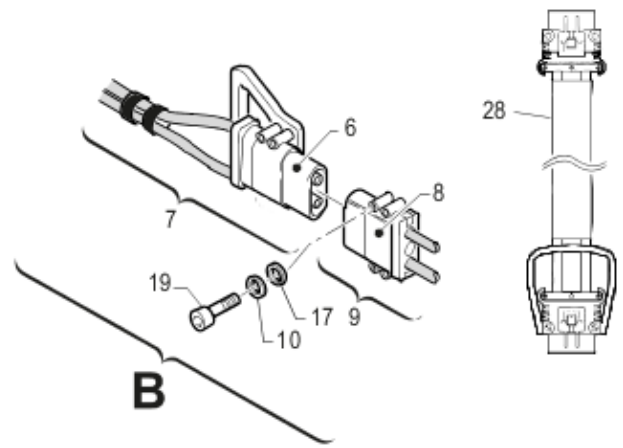
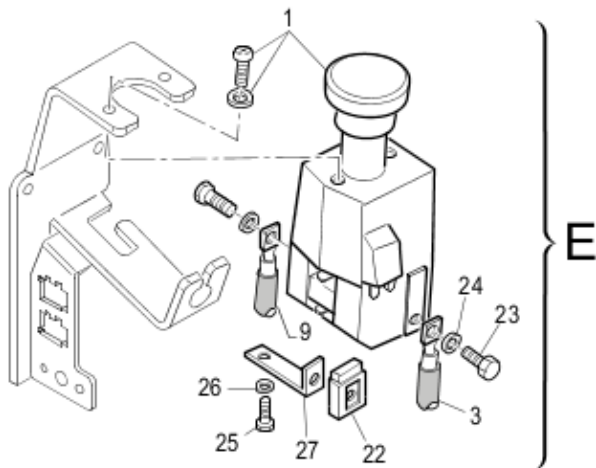




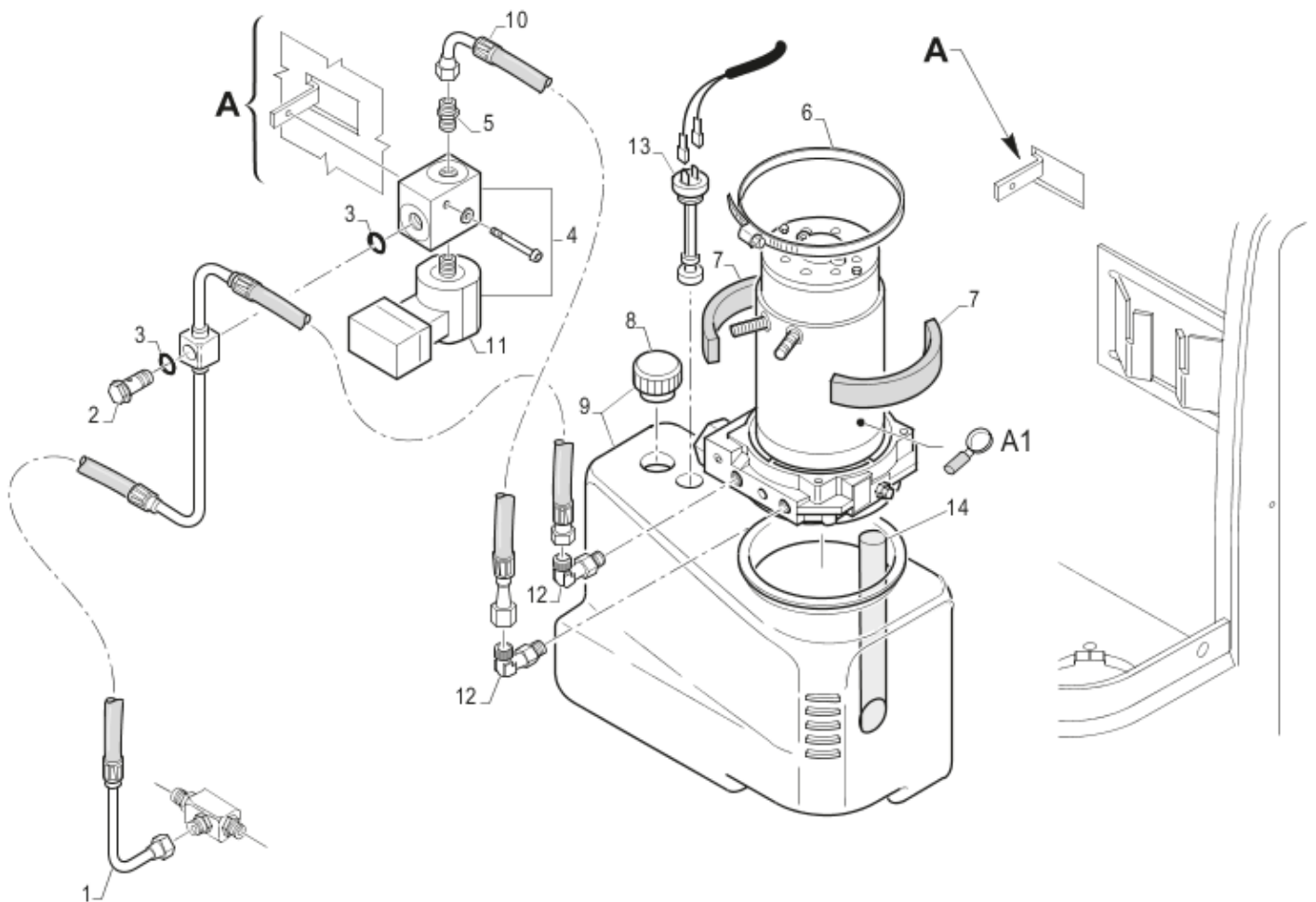




Dis.5402



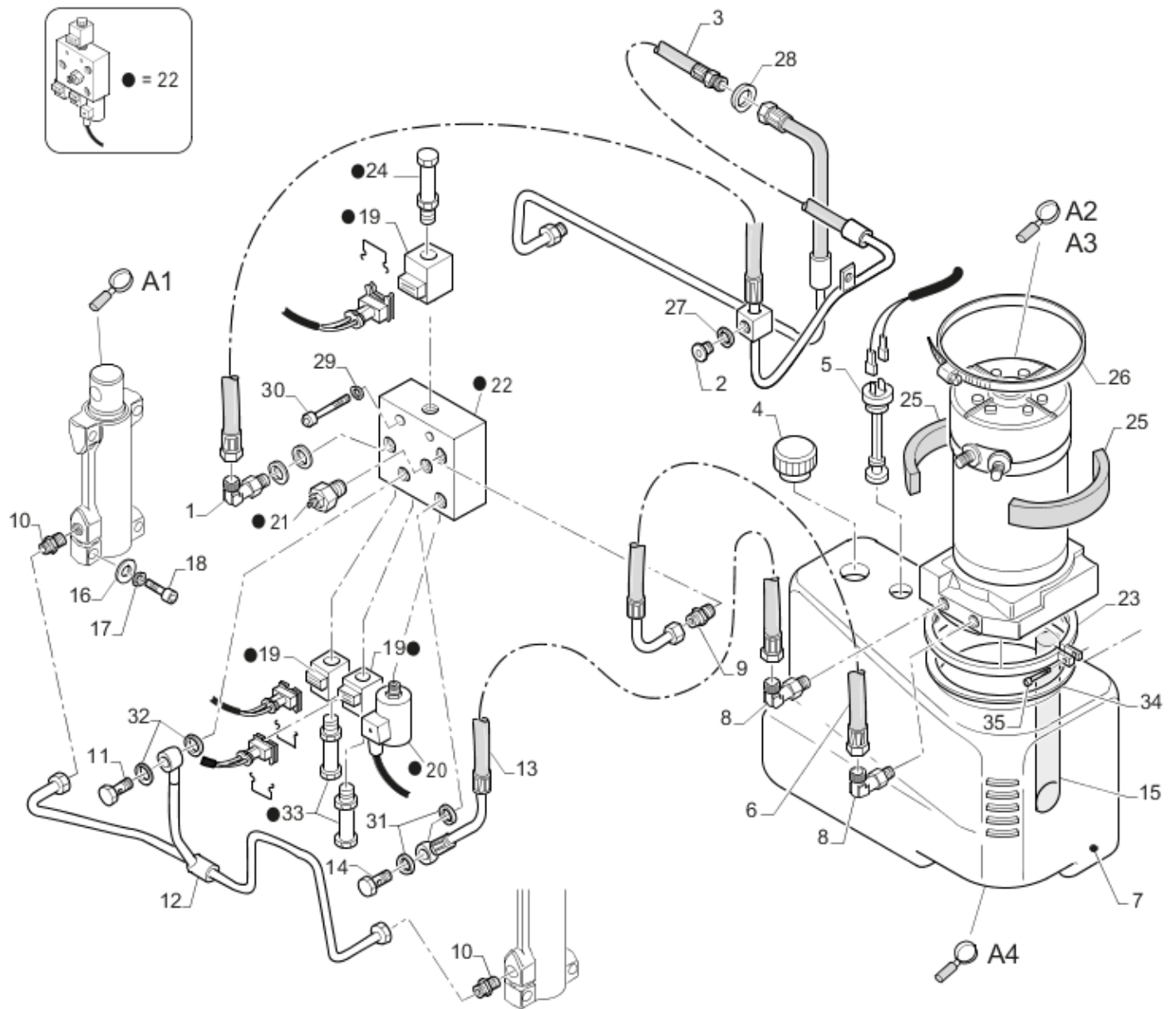
Dis\_4502

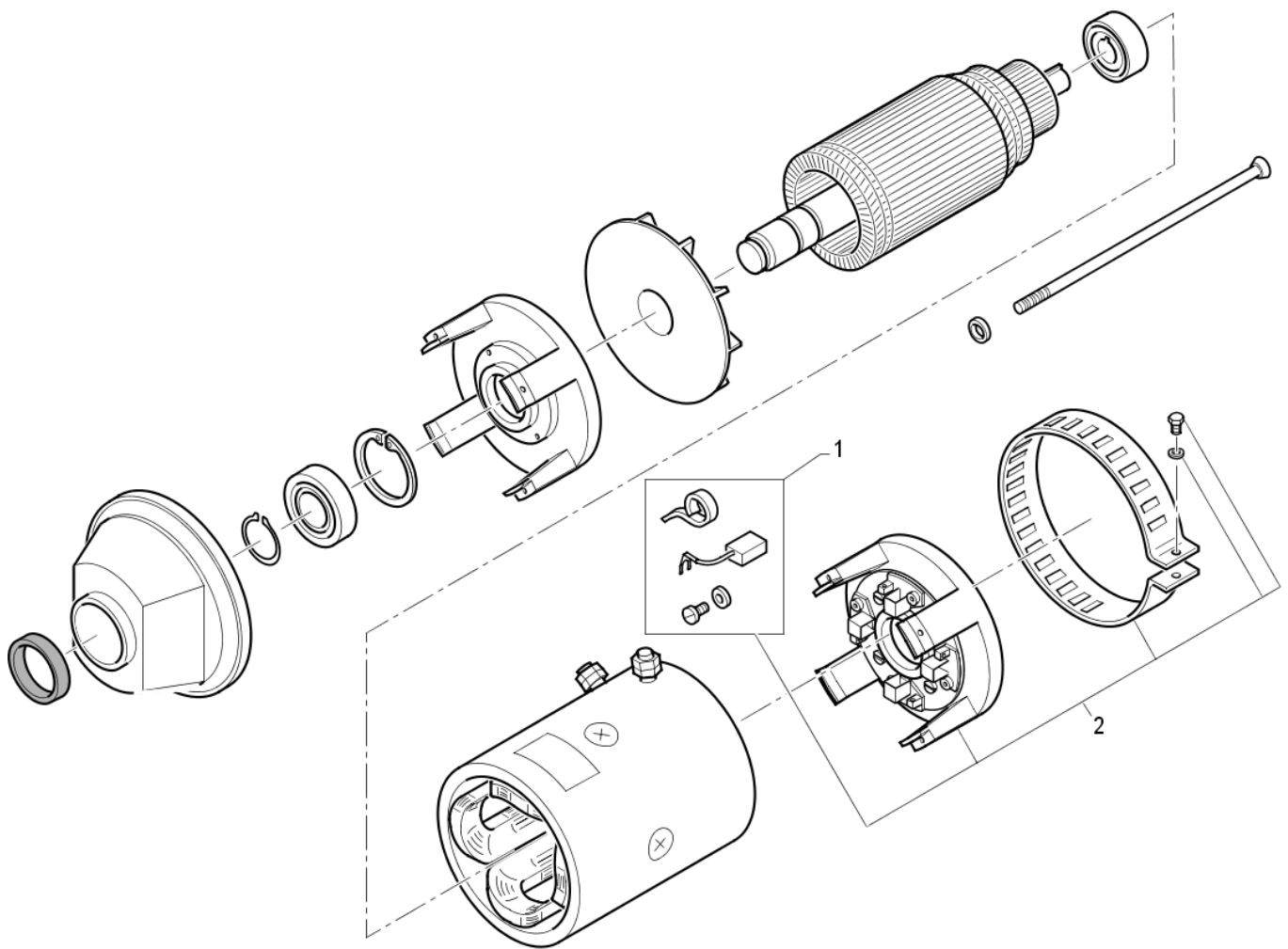




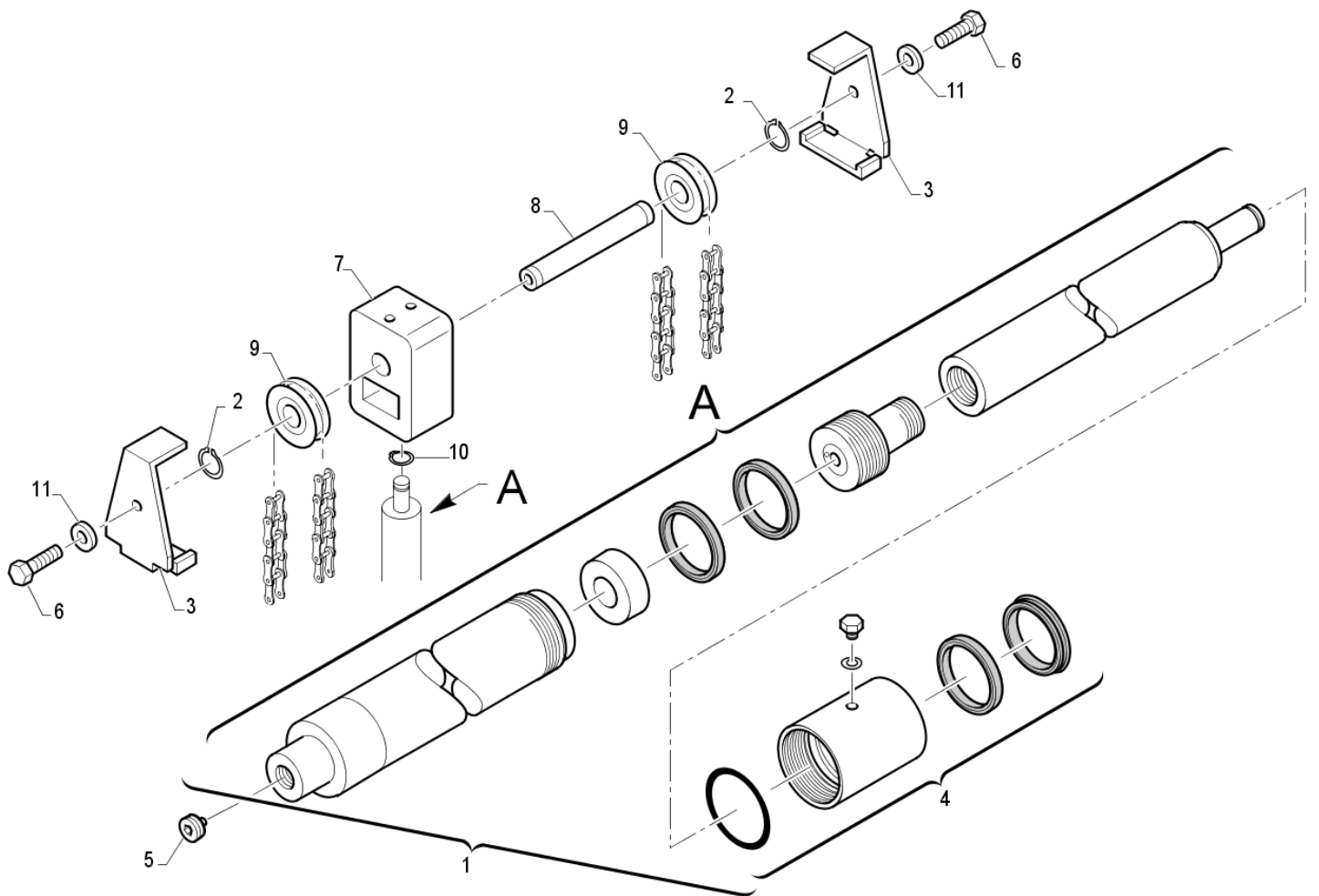








Dis. 1326







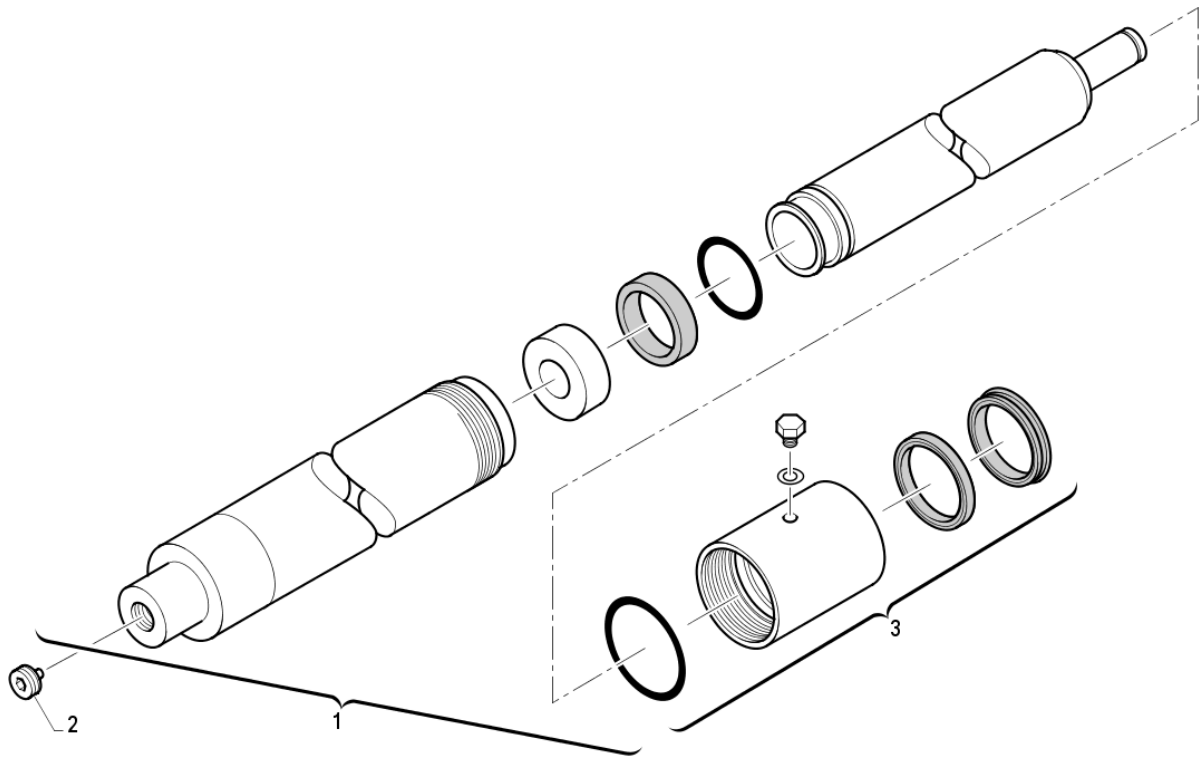


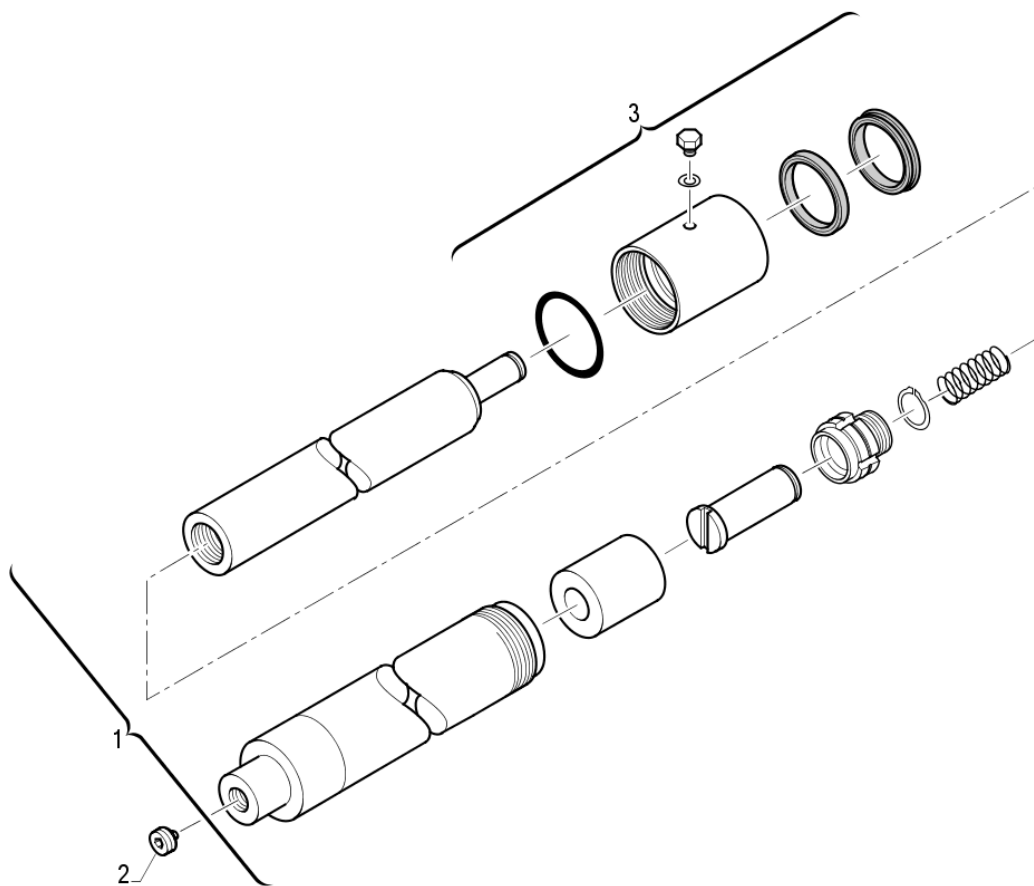












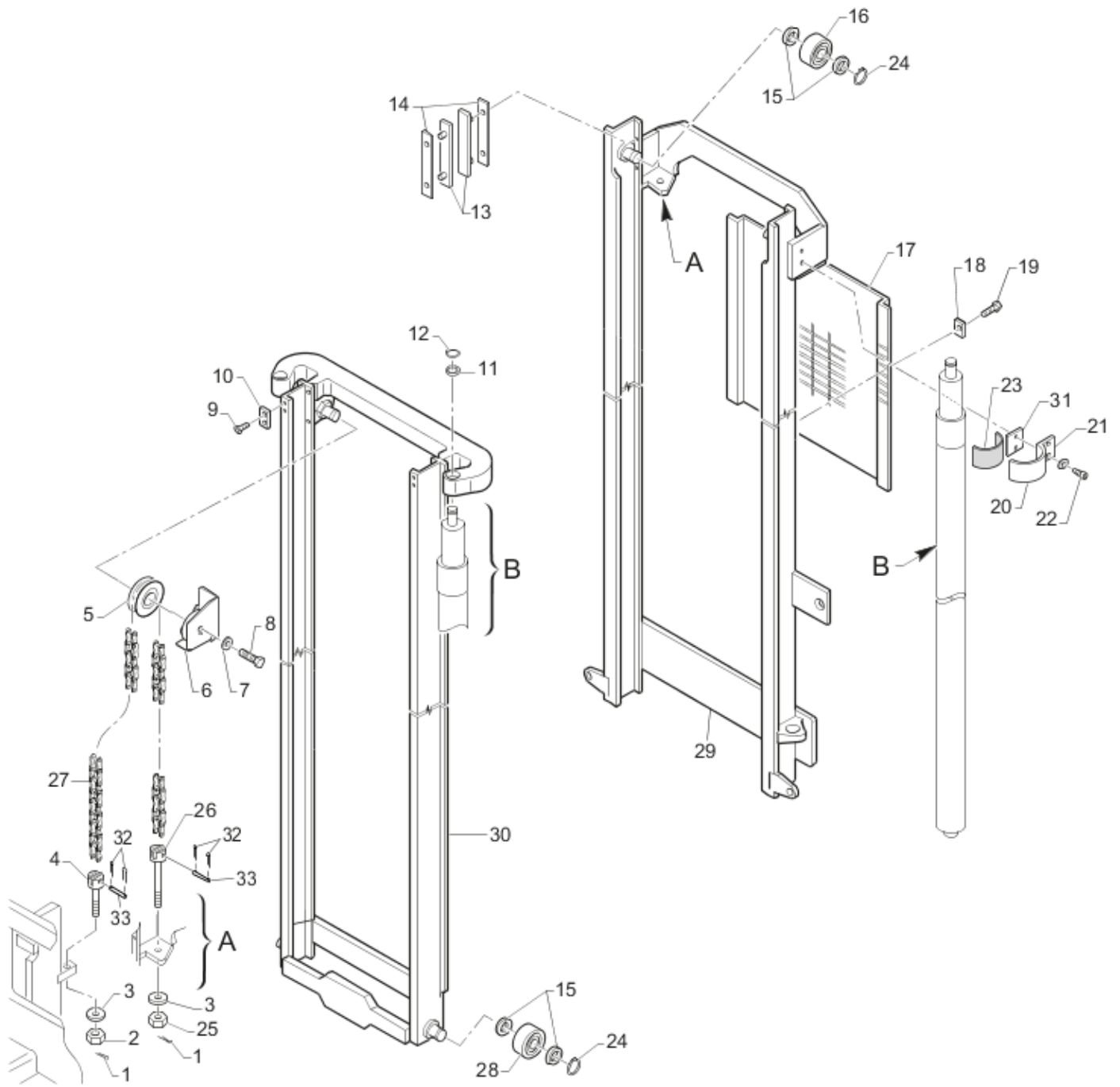
CLICK HERE TO **DOWNLOAD** THE COMPLETE MANUAL

- Thank you very much for reading the preview of the manual.
- You can download the complete manual from: [www.heydownloads.com](http://www.heydownloads.com) by clicking the link below



- Please note: If there is no response to CLICKING the link, please download this PDF first and then click on it.

CLICK HERE TO **DOWNLOAD** THE COMPLETE MANUAL

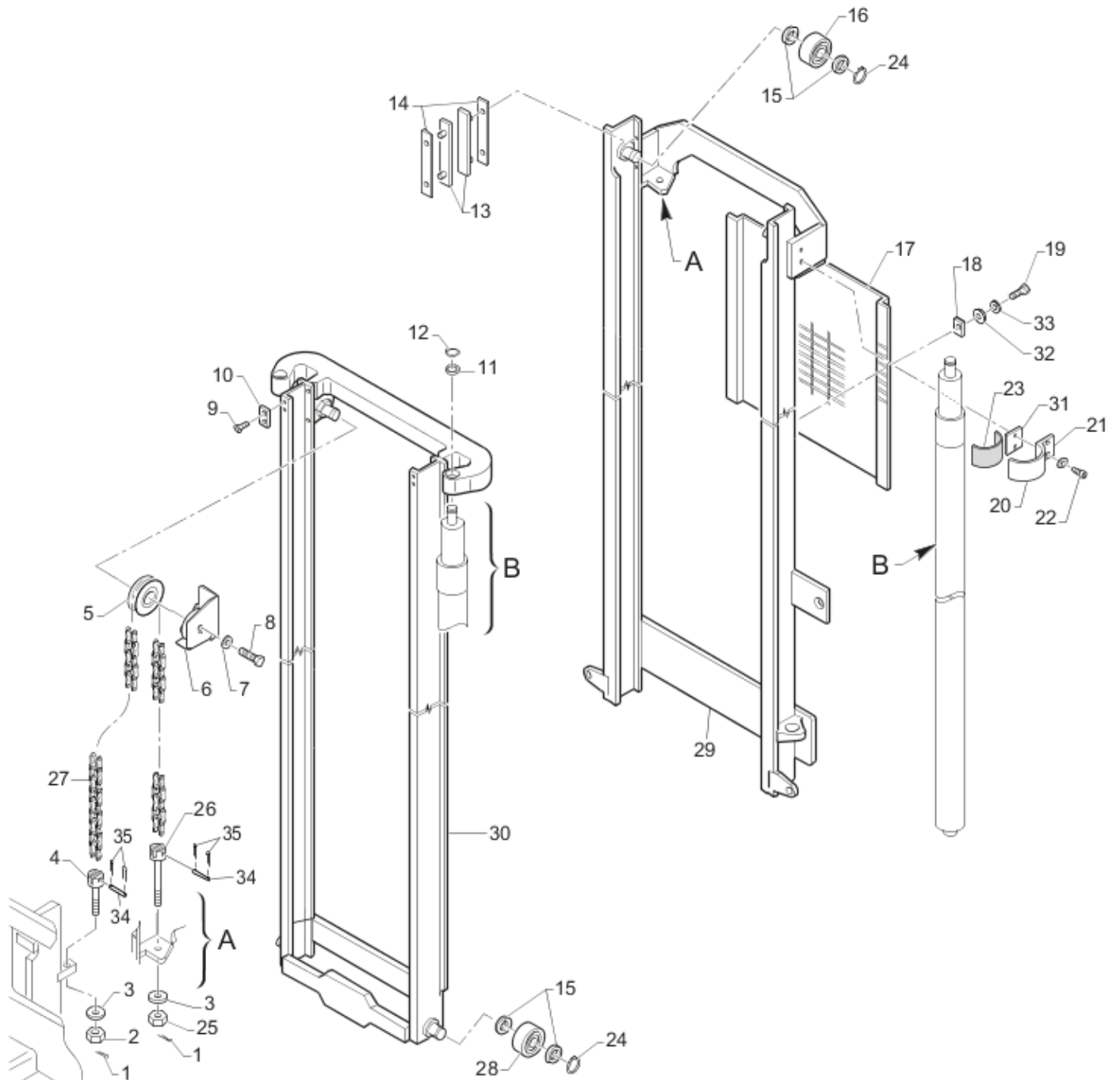




































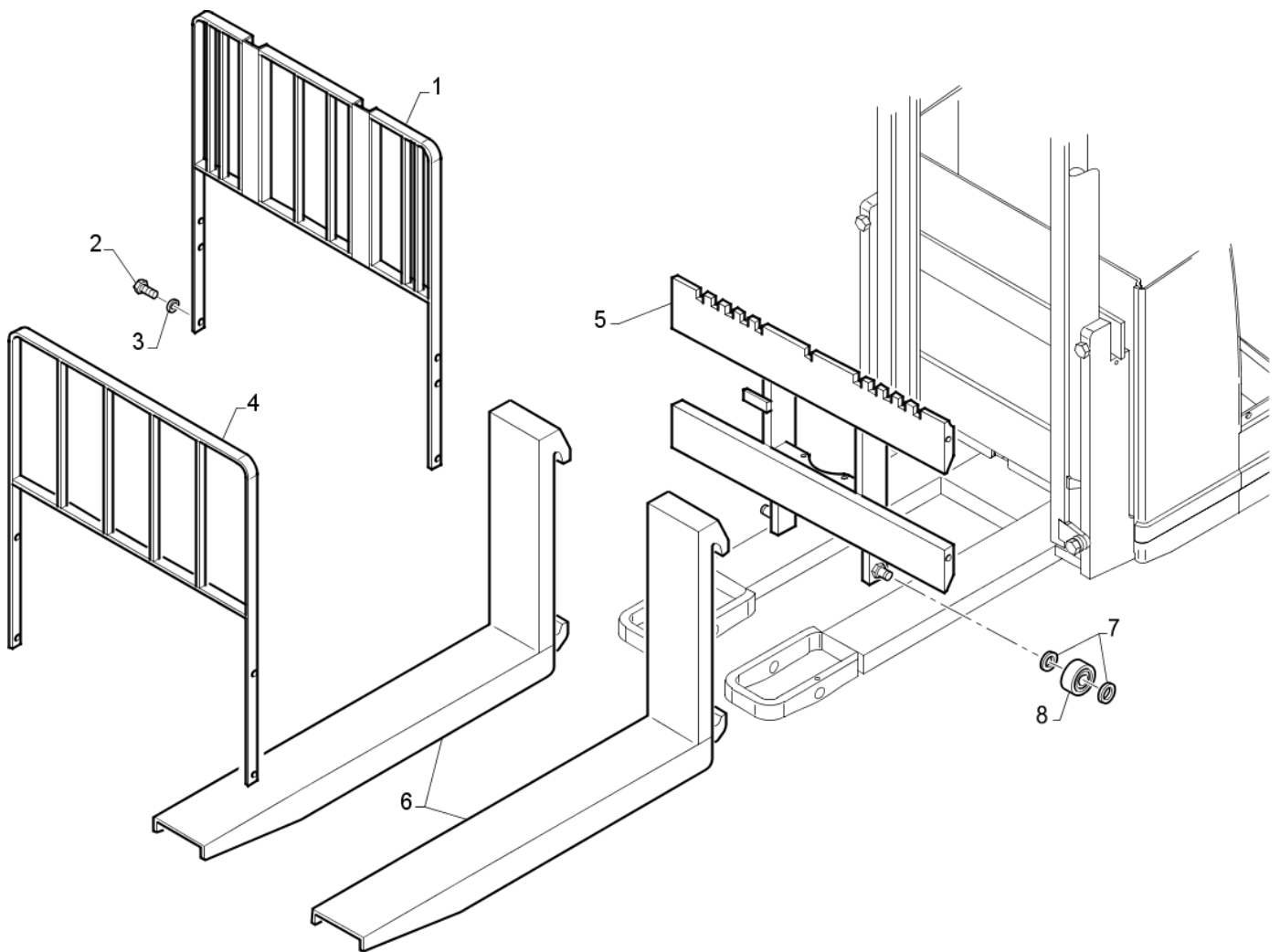
















45254000601	Page:	518
45254010910	Page:	518
45254323204	Page:	518
45254363100	Page:	356
45254364000	Page:	516
452549001	Page:	52, 56
452549101	Page:	496, 498
45258042802	Page:	524
45258043407	Page:	6
45258043408	Page:	6
45258043409	Page:	6
45258043410	Page:	6
45258043411	Page:	6
45258043412	Page:	6
45258043413	Page:	6
45258043414	Page:	6
45258043415	Page:	6
45258043416	Page:	6
45258043417	Page:	6
45258043418	Page:	6
45258043419	Page:	6
45258043420	Page:	6
45258043421	Page:	6
45258043422	Page:	6
45258043423	Page:	6
45258043424	Page:	6
45258043425	Page:	8
45258043426	Page:	8
45258043427	Page:	8
45258043428	Page:	8
45258043429	Page:	8
45258043430	Page:	8
45258043431	Page:	8
45258043436	Page:	6
45258069001	Page:	8
45270063304	Page:	524
45270063307	Page:	524
45270063325	Page:	522
45270063326	Page:	522
45274232300	Page:	40
45274232600	Page:	40
45283400100	Page:	152
45283510500	Page:	518
45283600600	Page:	44
45283605001	Page:	102

CLICK HERE TO **DOWNLOAD** THE COMPLETE MANUAL

- Thank you very much for reading the preview of the manual.
- You can download the complete manual from: [www.heydownloads.com](http://www.heydownloads.com) by clicking the link below



- Please note: If there is no response to CLICKING the link, please download this PDF first and then click on it.

CLICK HERE TO **DOWNLOAD** THE COMPLETE MANUAL