

PL500

Spare parts list

Compact planers

PL500 s/n 10000902T0C004234-

Engine: Cummins QSB4.5



CLICK HERE TO **DOWNLOAD** THE COMPLETE MANUAL

- Thank you very much for reading the preview of the manual.
- You can download the complete manual from: www.heydownloads.com by clicking the link below



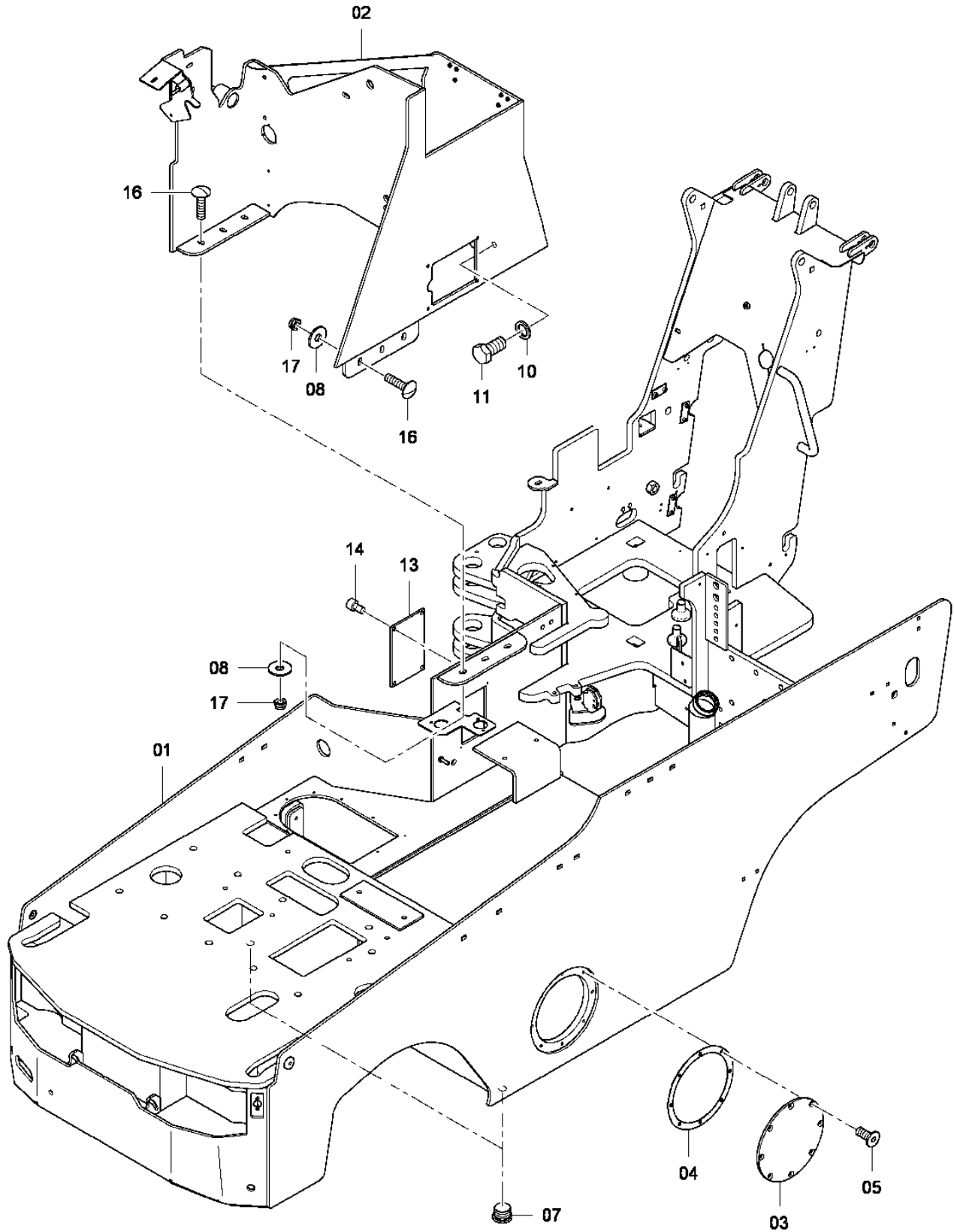
- Please note: If there is no response to CLICKING the link, please download this PDF first and then click on it.

CLICK HERE TO **DOWNLOAD** THE COMPLETE MANUAL

Service kits PL500 Service kits PL500

NO EXPLODED VIEW
AVAILABLE
FOR THIS BOM

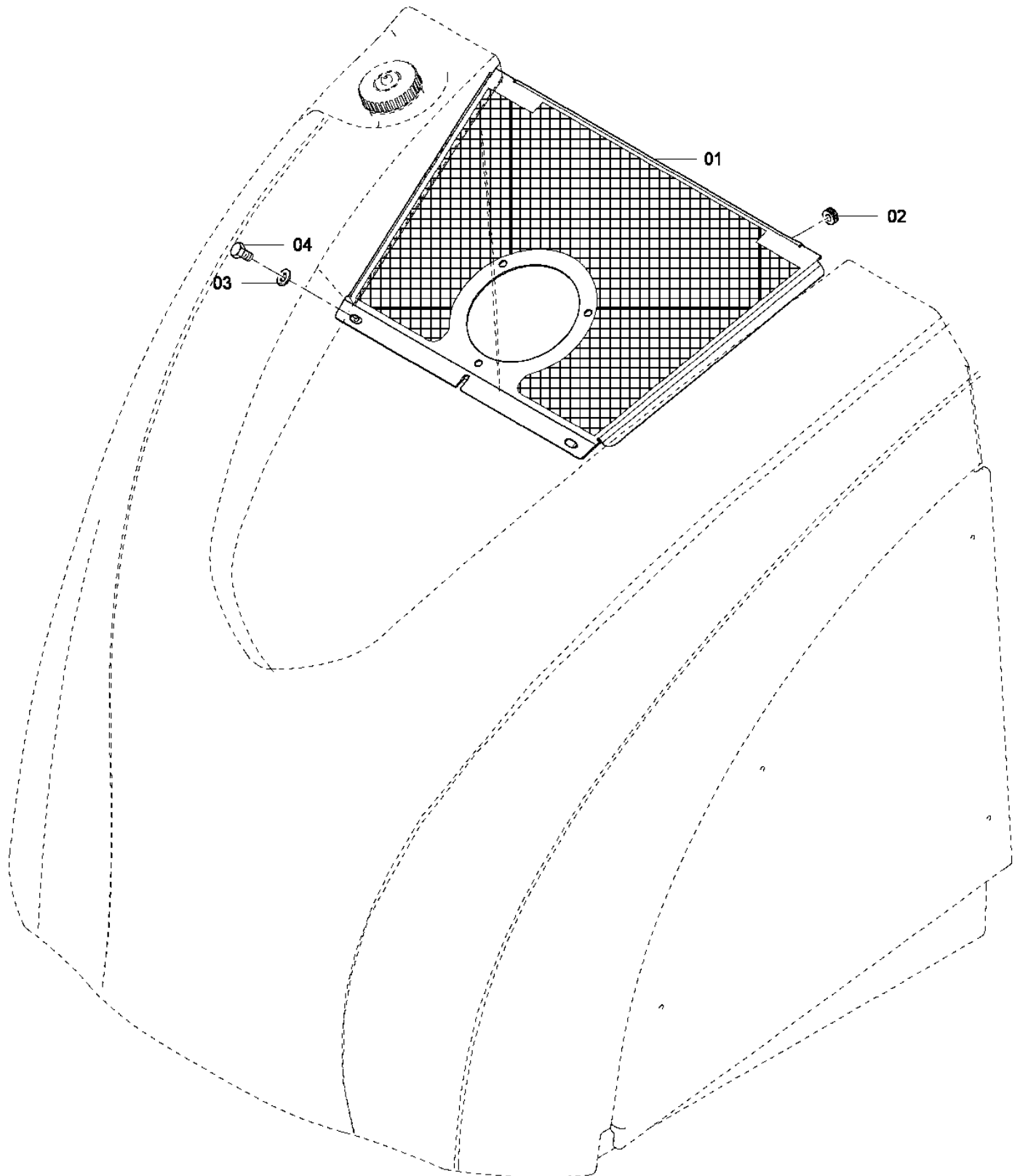
Frame Main frame 2



Refer to Parts Online for the most up to date information. The printed information might be outdated.

Wed Apr 01 19:50:54 MDT 2015

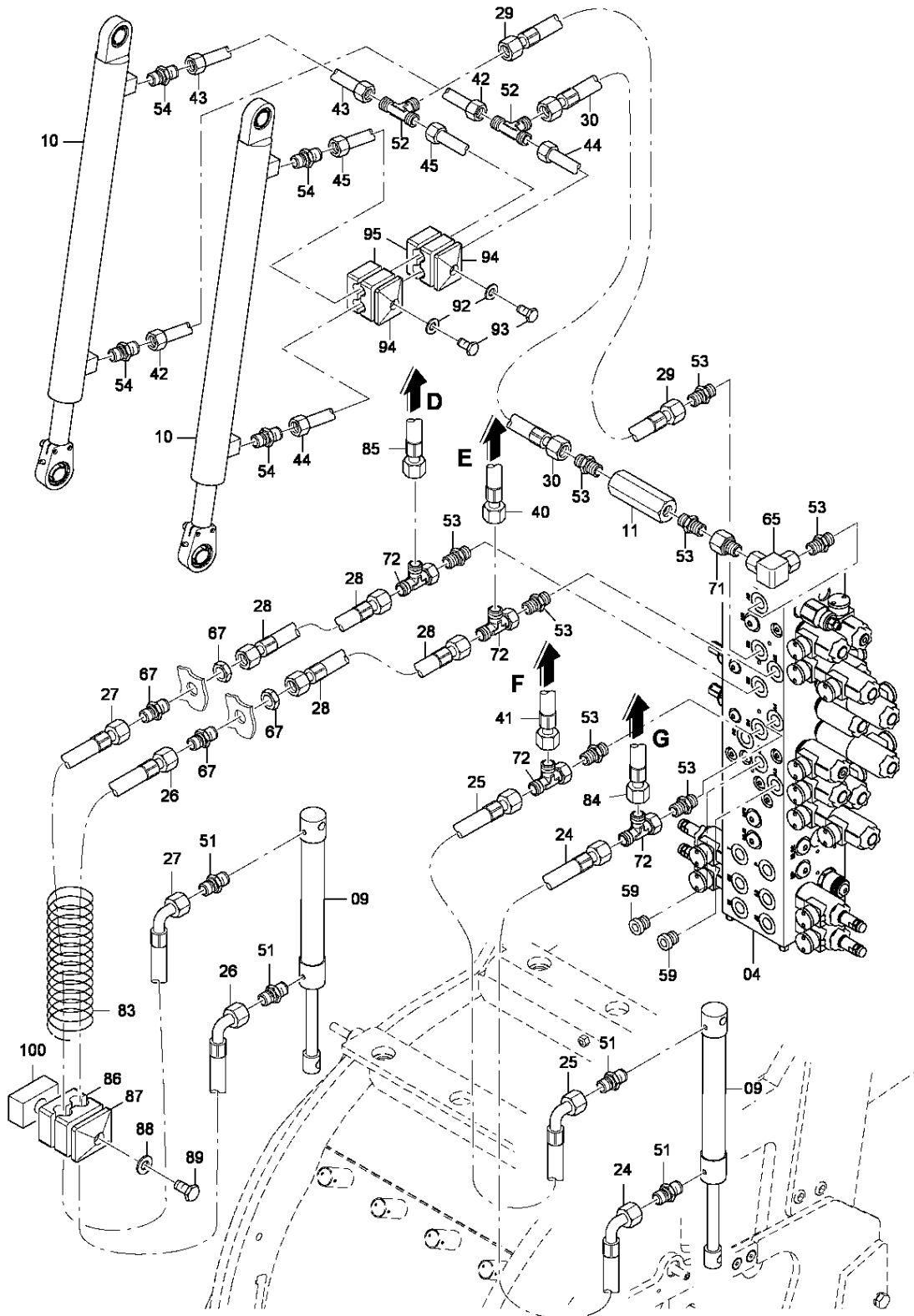
Frame Grid



Refer to Parts Online for the most up to date information. The printed information might be outdated.

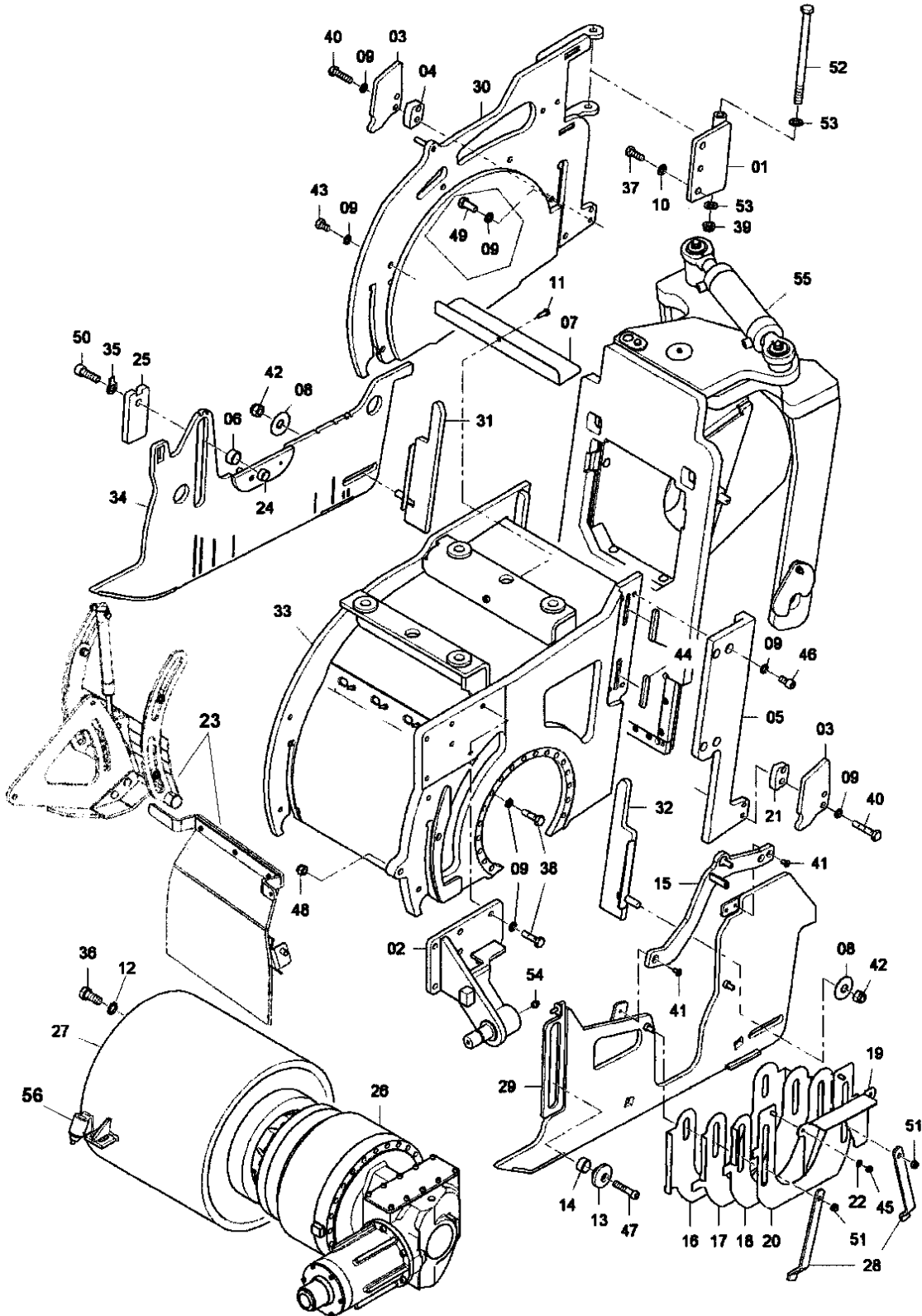
Wed Apr 01 19:50:57 MDT 2015

Cylinder function Milling Cylinder function Milling



Refer to Parts Online for the most up to date information. The printed information might be outdated.

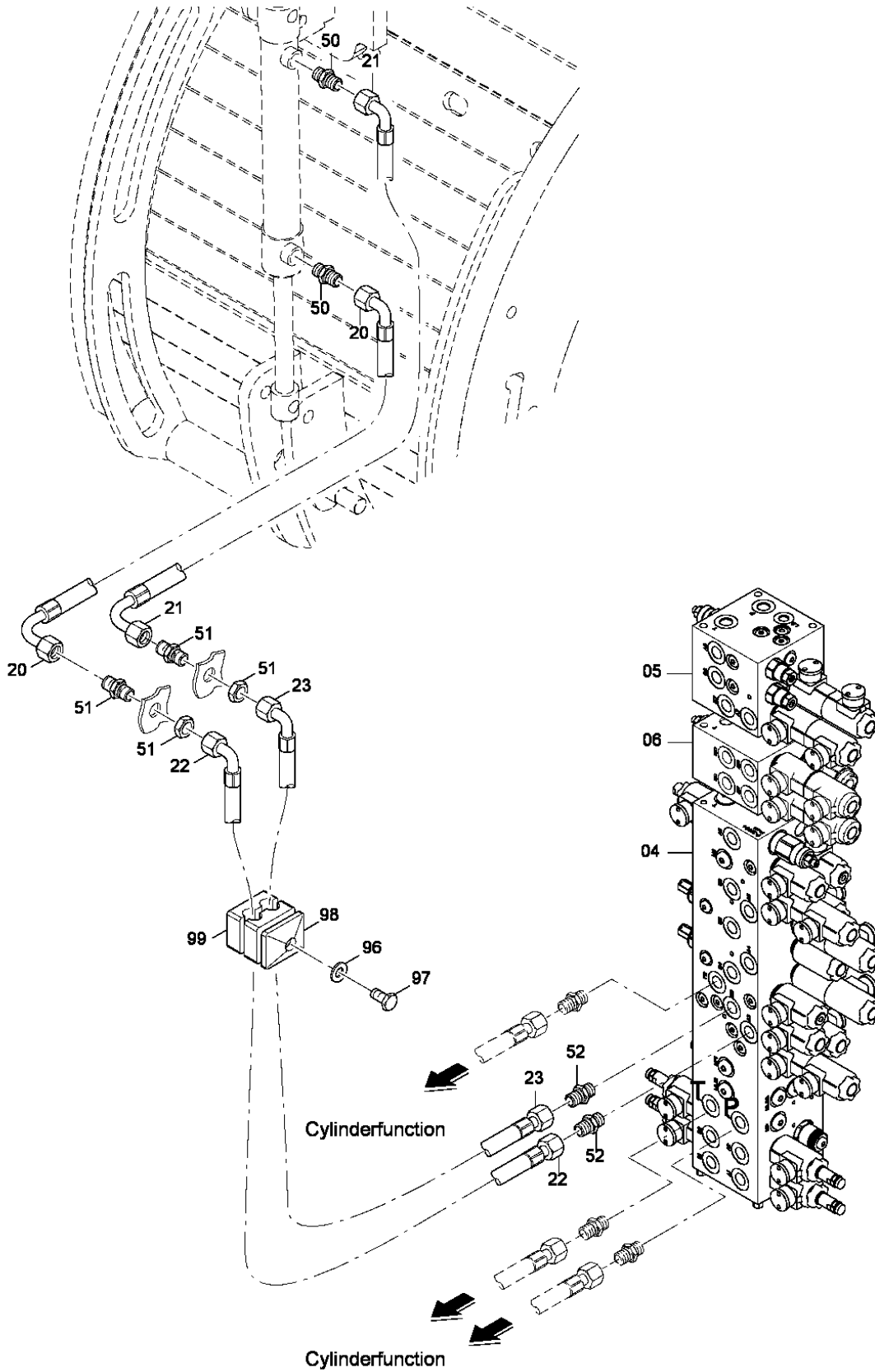
Wed Apr 01 19:50:58 MDT 2015



Refer to Parts Online for the most up to date information. The printed information might be outdated.

Wed Apr 01 19:51:00 MDT 2015

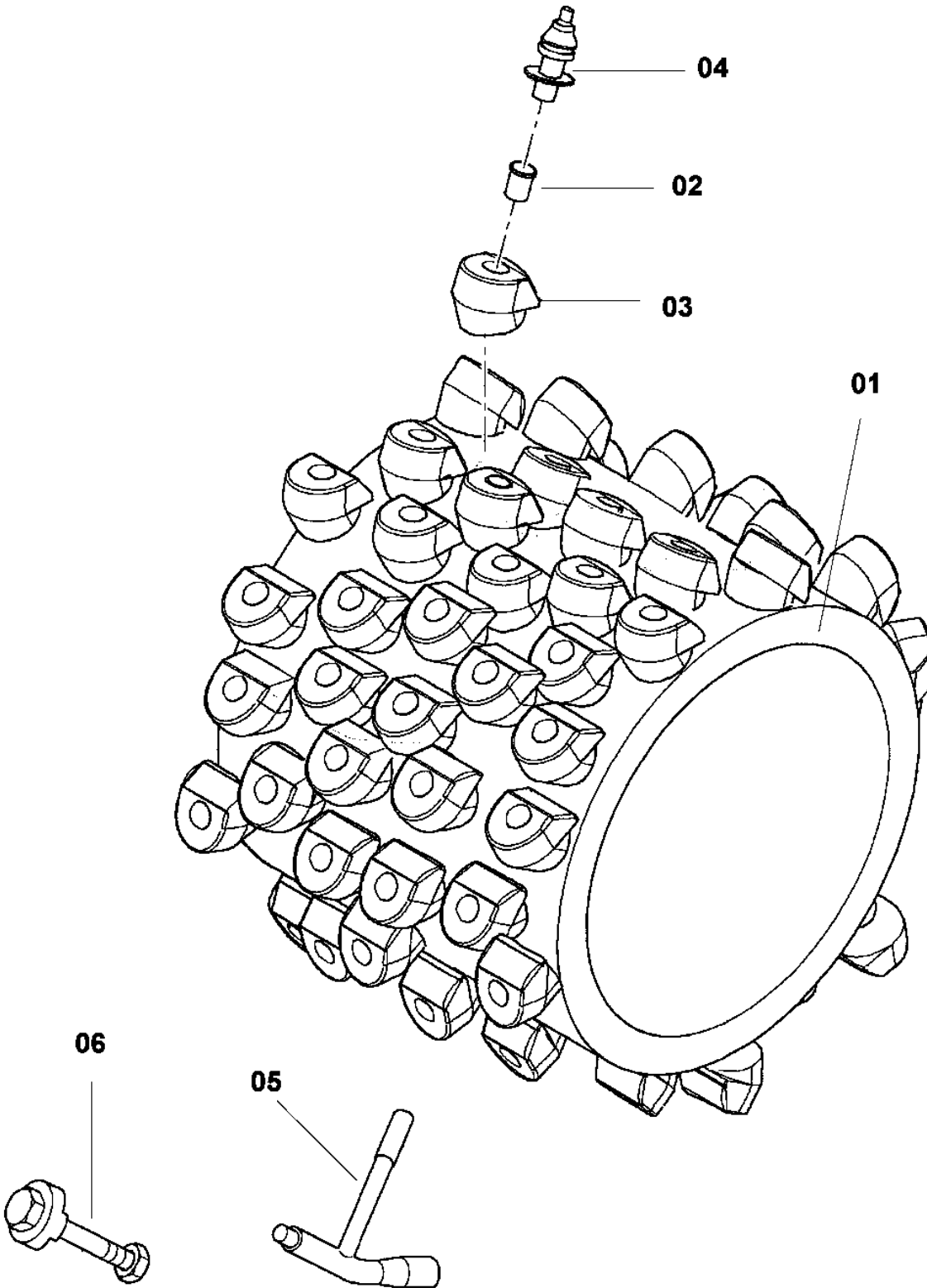
Hydraulic downholder Hydraulic components



Refer to Parts Online for the most up to date information. The printed information might be outdated.

Wed Apr 01 19:51:14 MDT 2015

Milling drums Fine milling drum C10HD



Refer to Parts Online for the most up to date information. The printed information might be outdated.

Wed Apr 01 19:51:17 MDT 2015

Milling section Bit tools

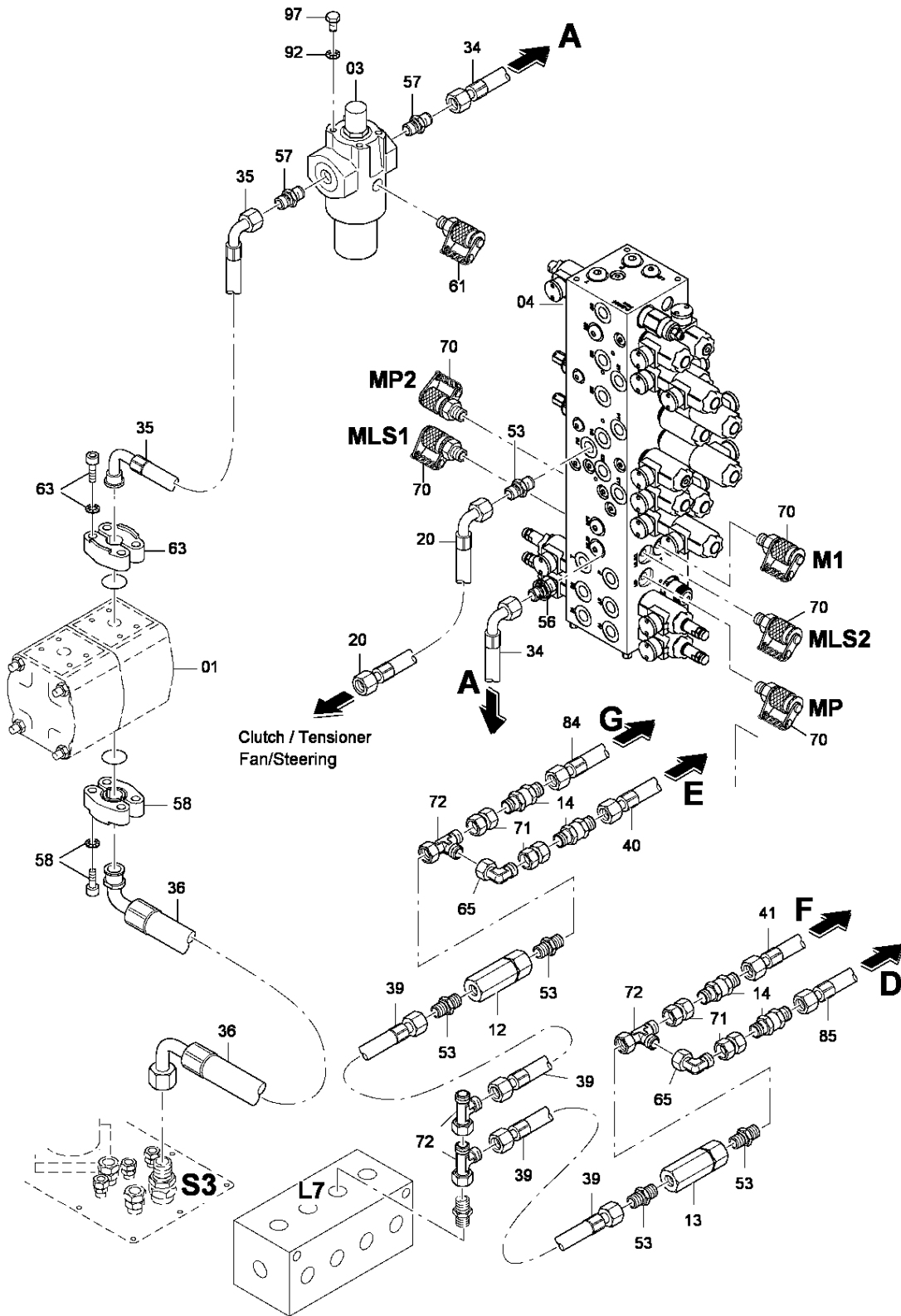


Refer to Parts Online for the most up to date information. The printed information might be outdated.

Wed Apr 01 19:51:24 MDT 2015

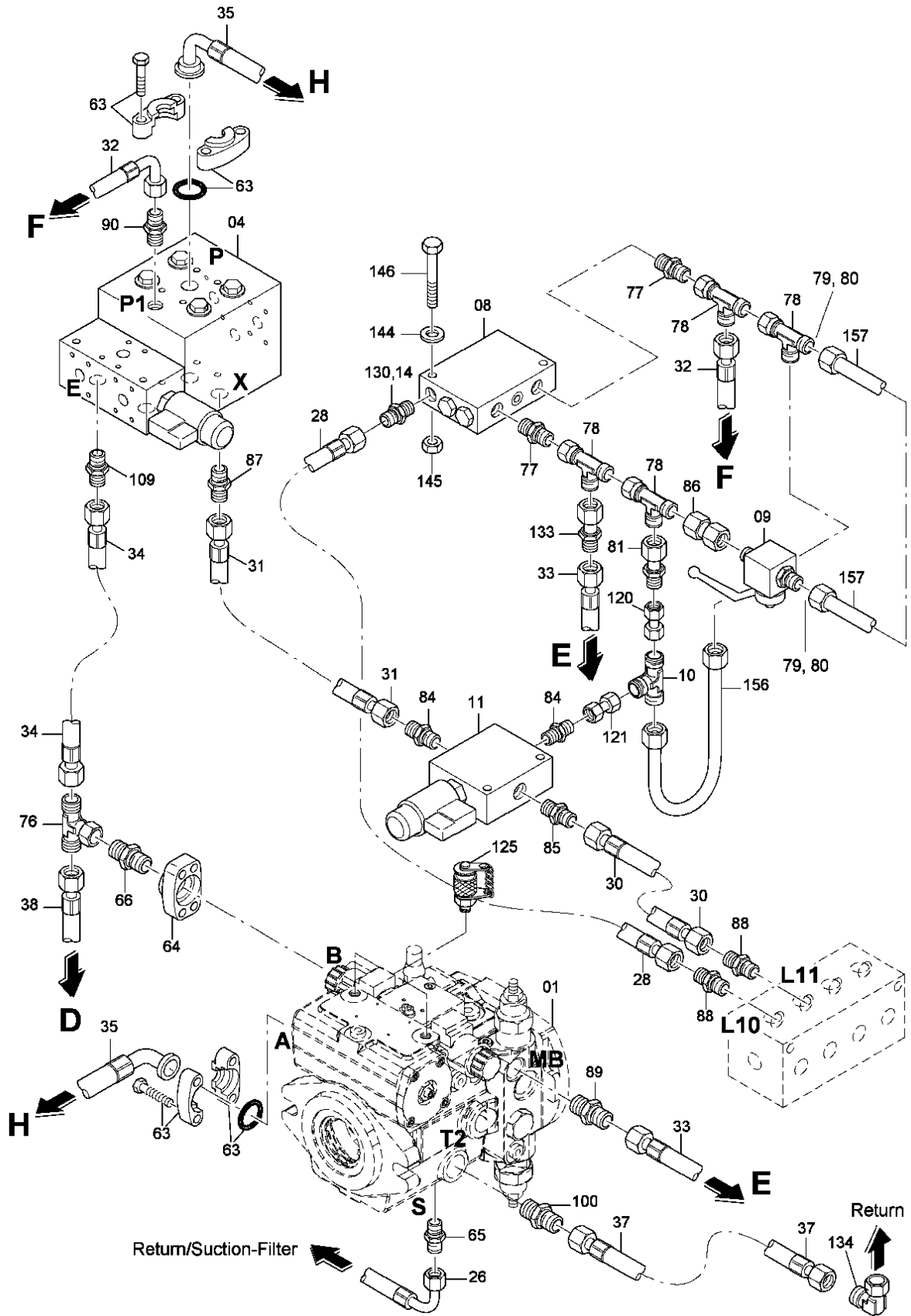
10 | en_US | Replaced by 4812116462

Cylinder function Engine Cylinder function Engine



Refer to Parts Online for the most up to date information. The printed information might be outdated.

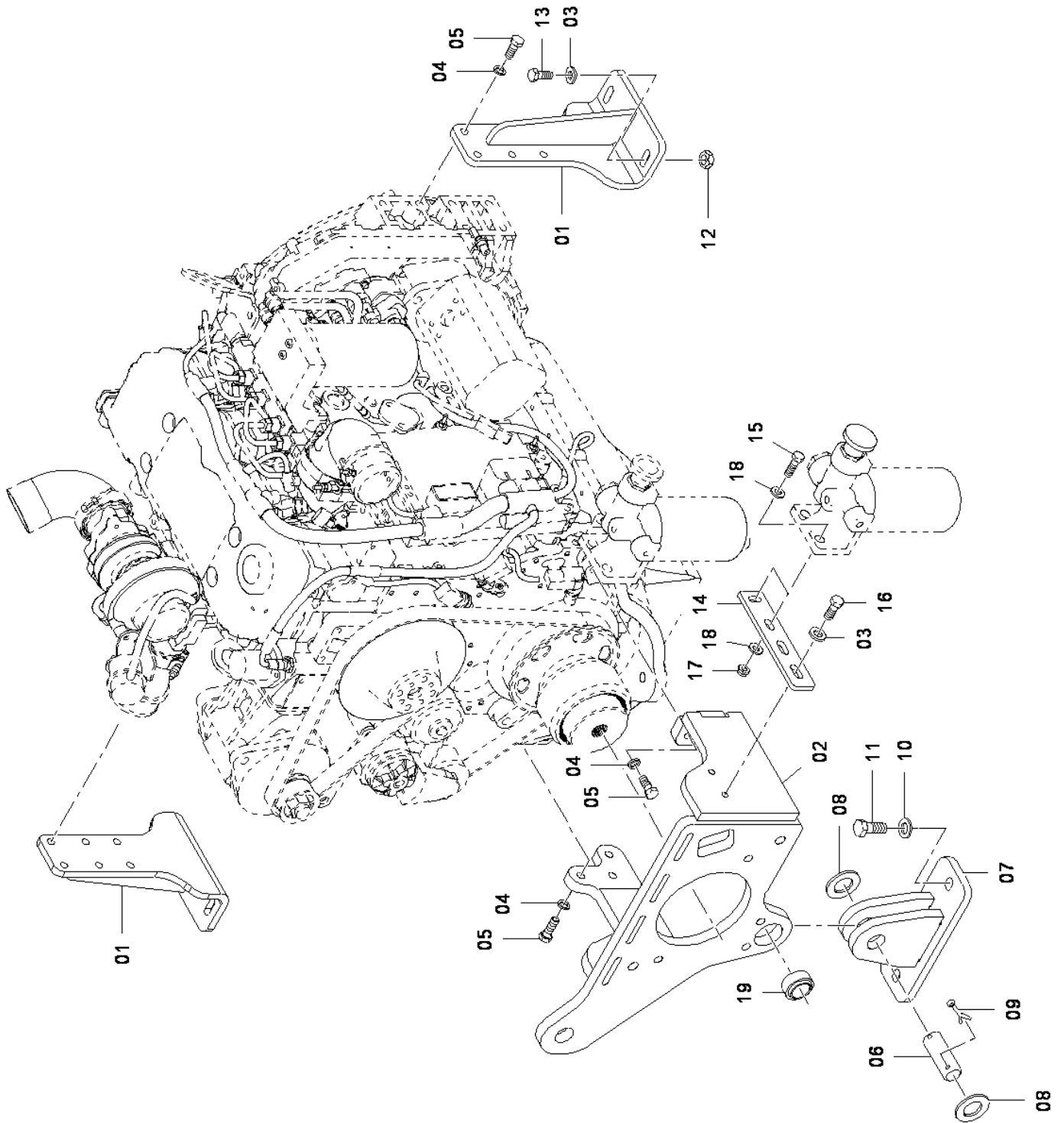
Wed Apr 01 19:51:39 MDT 2015



Refer to Parts Online for the most up to date information. The printed information might be outdated.

Wed Apr 01 19:51:41 MDT 2015

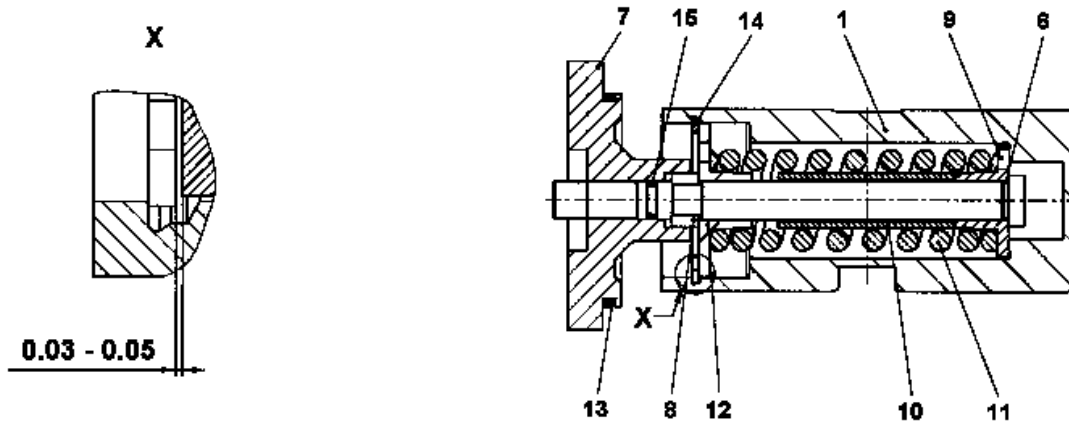
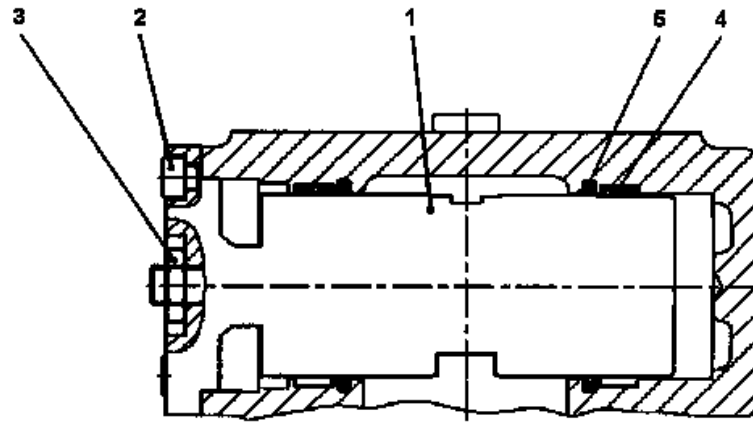
Engine PL500 Engine suspension



Refer to Parts Online for the most up to date information. The printed information might be outdated.

Wed Apr 01 19:51:43 MDT 2015

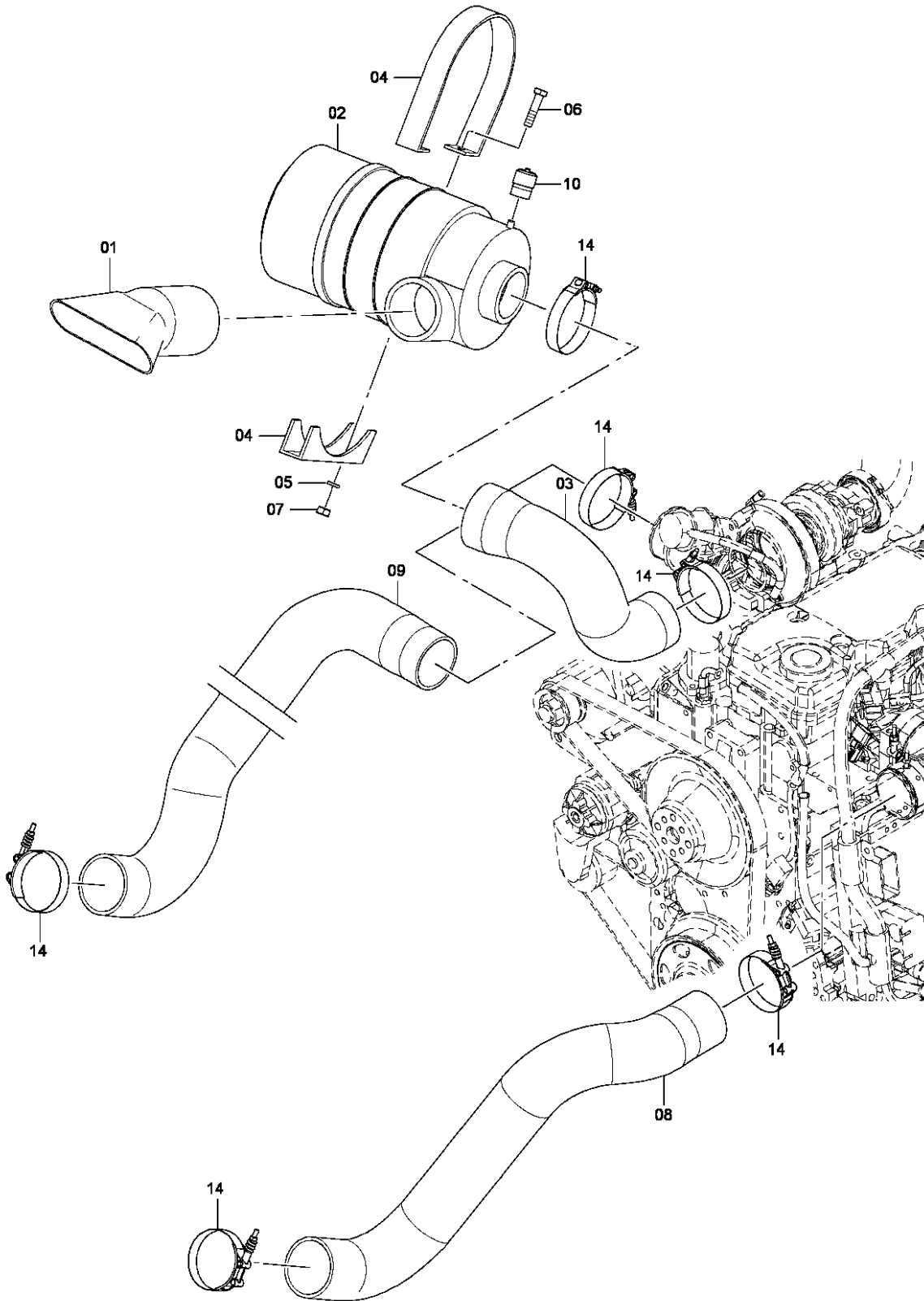
D967004127 Hydraulic pump see chapter Engine Control, hydraulic



Refer to Parts Online for the most up to date information. The printed information might be outdated.

Wed Apr 01 19:51:47 MDT 2015

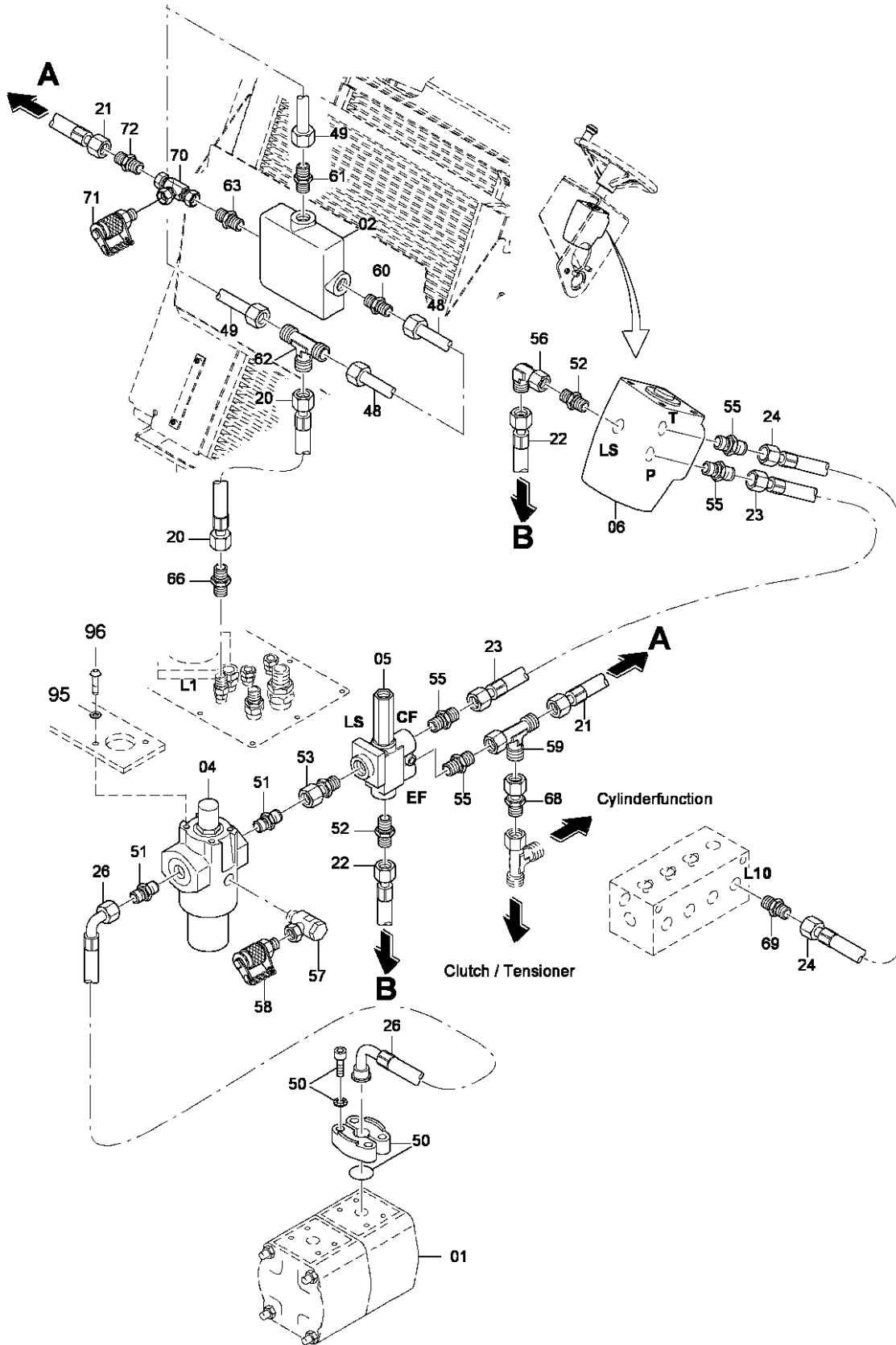
Engine PL500 Air filter unit



Refer to Parts Online for the most up to date information. The printed information might be outdated.

Wed Apr 01 19:51:48 MDT 2015

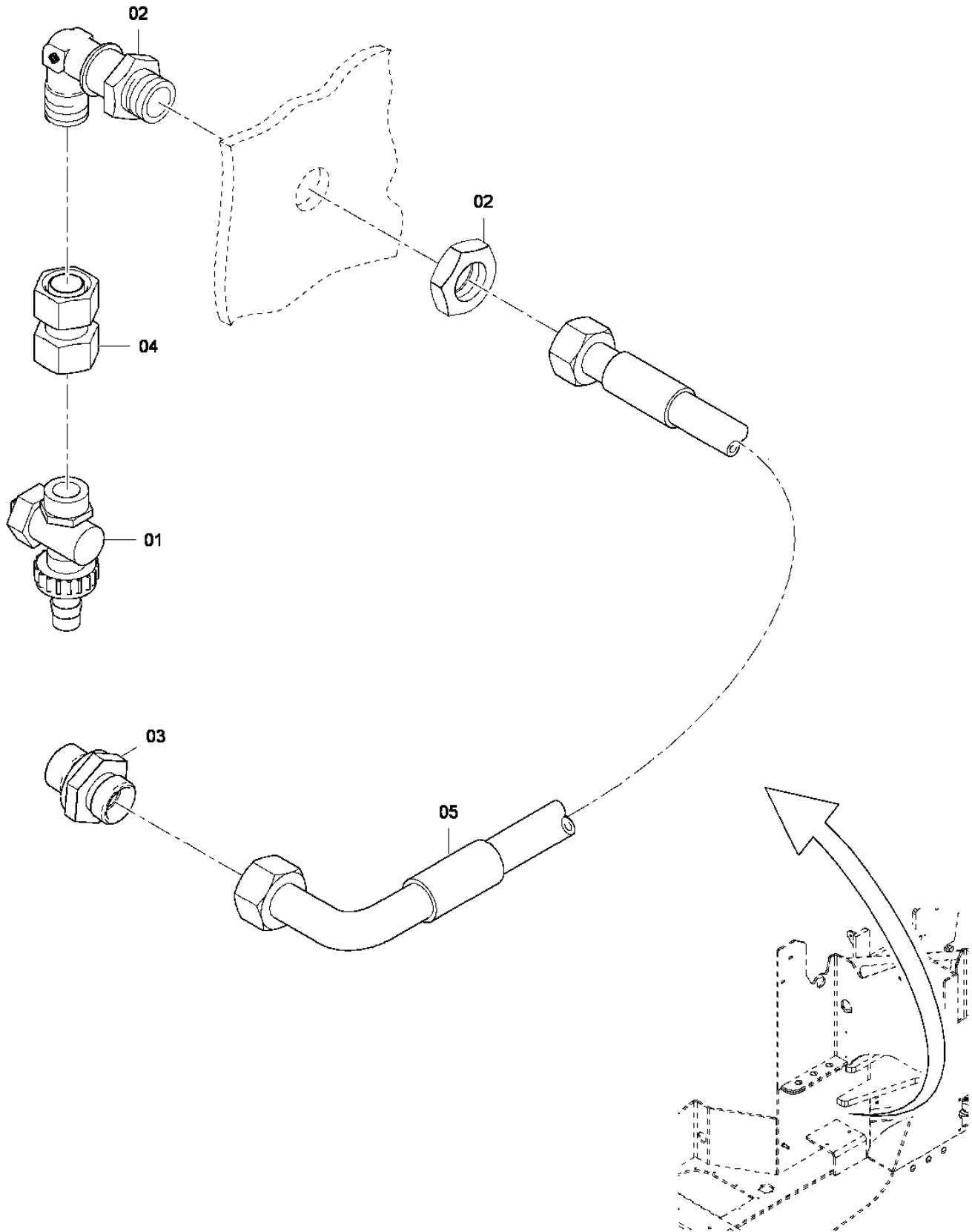
Hydraulic components Fan / Steering



Refer to Parts Online for the most up to date information. The printed information might be outdated.

Wed Apr 01 19:51:50 MDT 2015

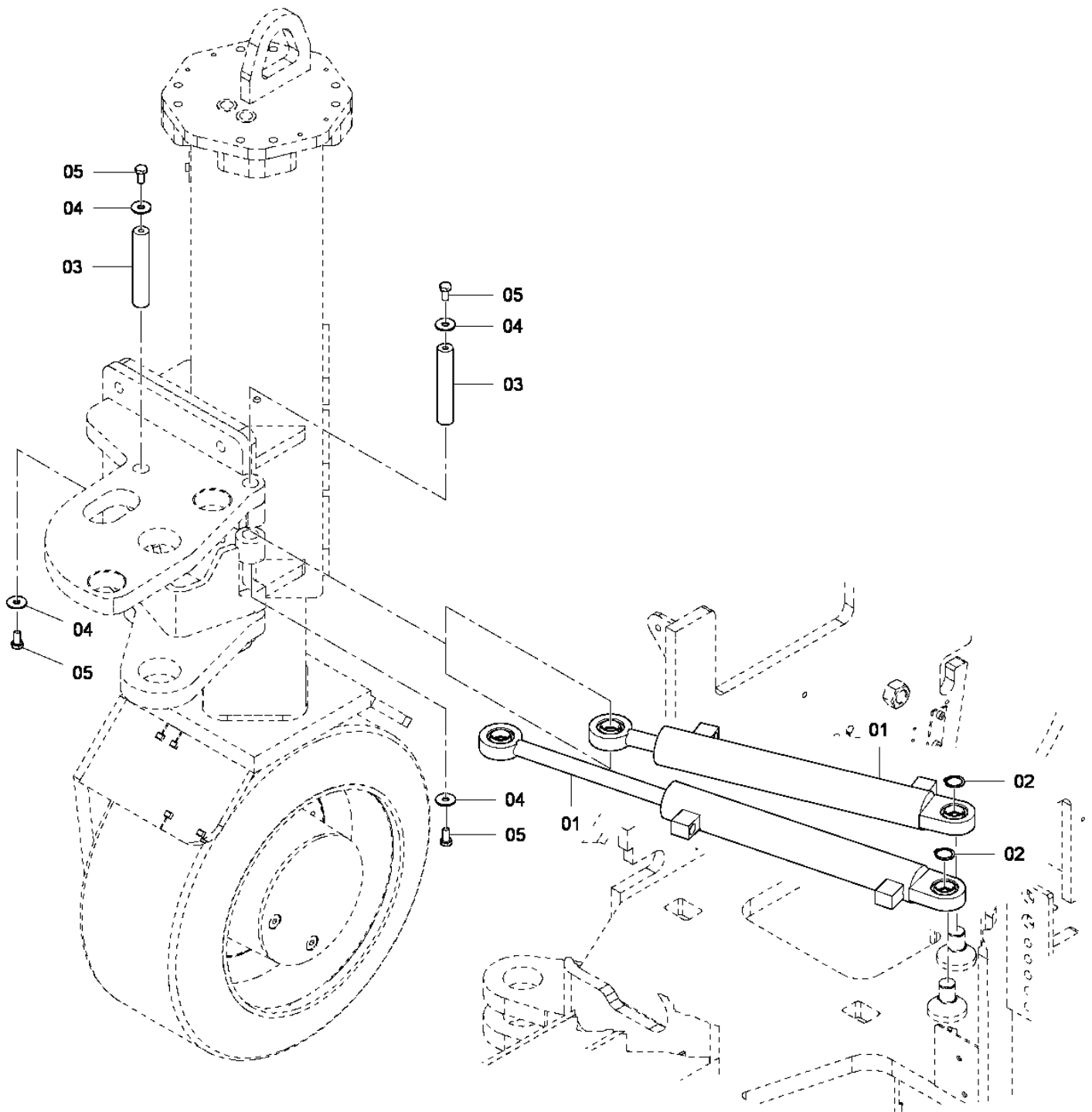
Engine PL500 Oil drain



Refer to Parts Online for the most up to date information. The printed information might be outdated.

Wed Apr 01 19:51:54 MDT 2015

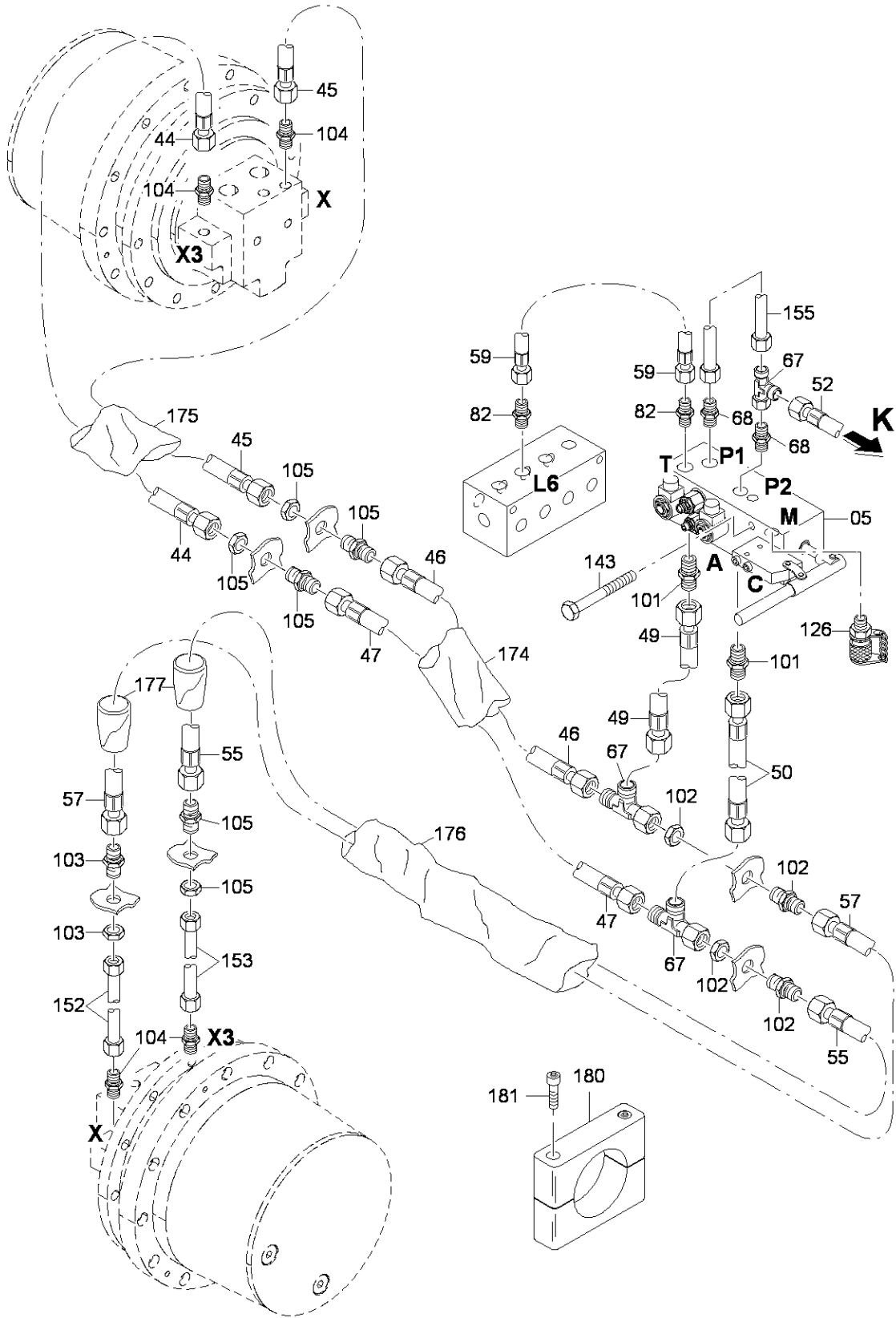
Hydraulic foldable right rear leg Hydraulic foldable right rear leg



Refer to Parts Online for the most up to date information. The printed information might be outdated.

Wed Apr 01 19:52:11 MDT 2015

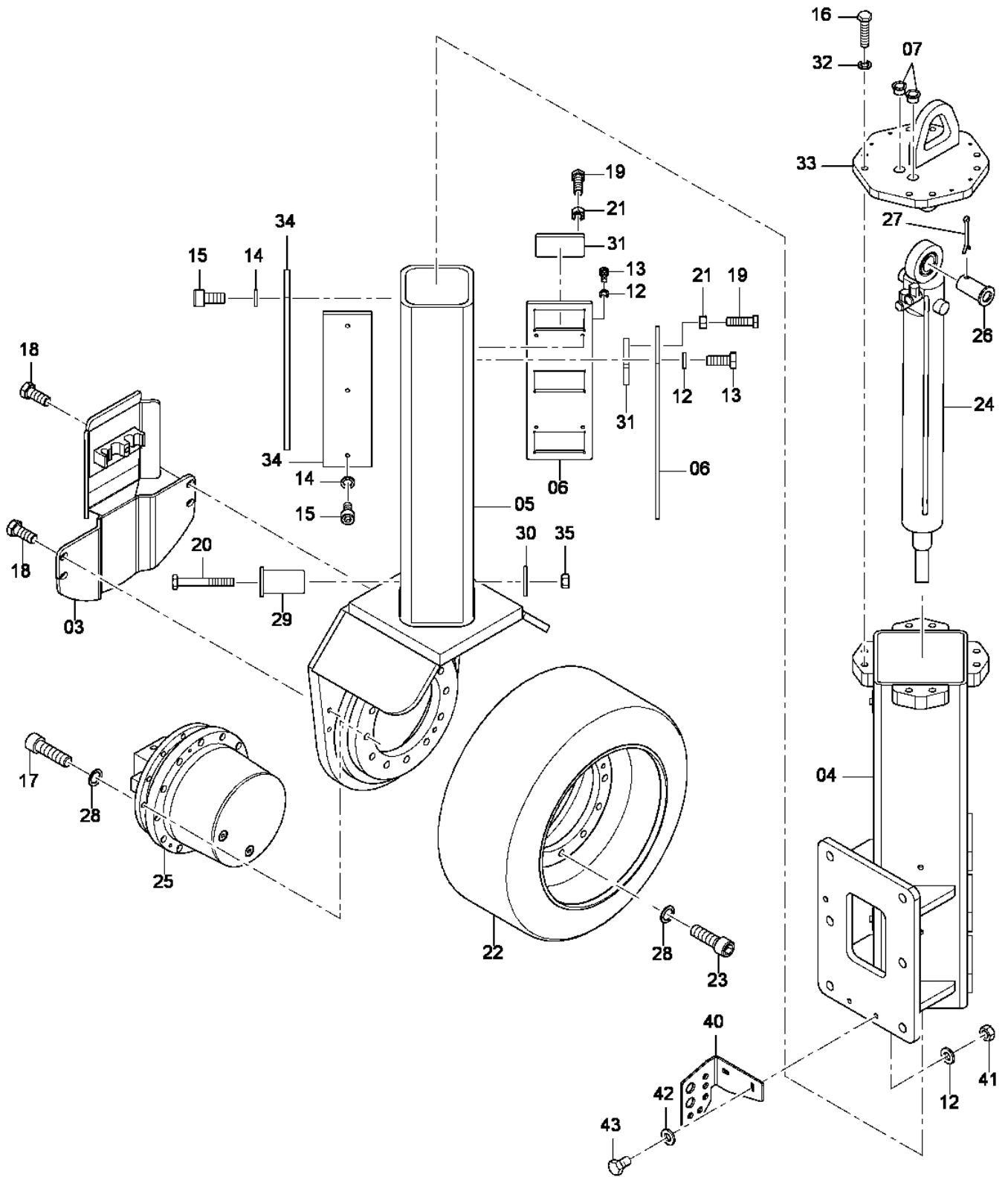
Hydraulic components Wheels module Steering, chassis leg 4 Wheel



Refer to Parts Online for the most up to date information. The printed information might be outdated.

Wed Apr 01 19:52:15 MDT 2015

Rear wheels module Chassis leg, right



Refer to Parts Online for the most up to date information. The printed information might be outdated.

Wed Apr 01 19:52:16 MDT 2015

Hydraulic components 3 wheel Hydraulic components 3 wheel

NO EXPLODED VIEW
AVAILABLE
FOR THIS BOM

CLICK HERE TO **DOWNLOAD** THE COMPLETE MANUAL

- Thank you very much for reading the preview of the manual.
- You can download the complete manual from: www.heydownloads.com by clicking the link below



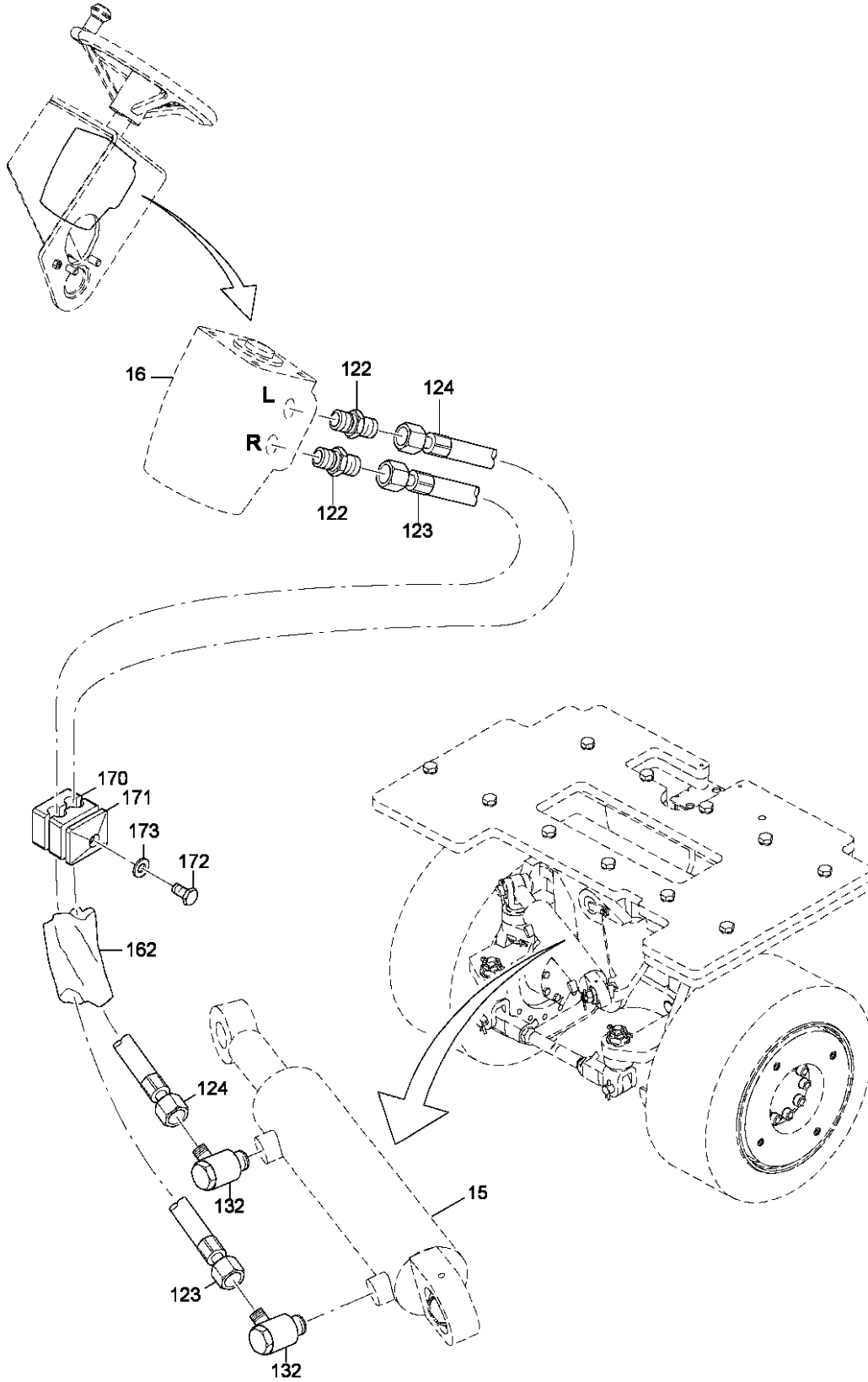
- Please note: If there is no response to CLICKING the link, please download this PDF first and then click on it.

CLICK HERE TO **DOWNLOAD** THE COMPLETE MANUAL

Front wheels module 4 wheel Front wheels module 4 wheel

NO EXPLODED VIEW
AVAILABLE
FOR THIS BOM

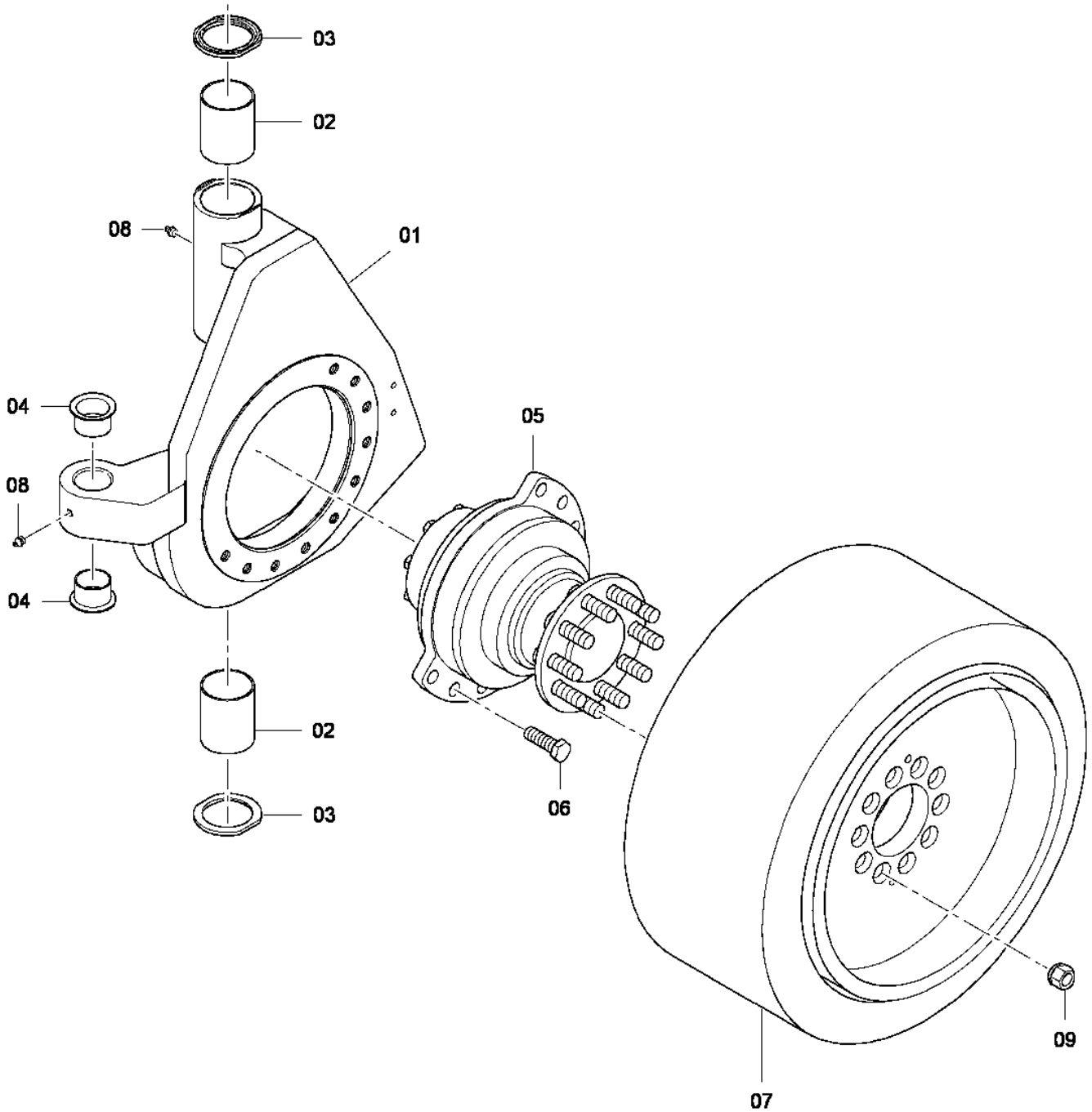
Steering, front axle 4 wheel Steering, front axle 4 wheel



Refer to Parts Online for the most up to date information. The printed information might be outdated.

Wed Apr 01 19:52:24 MDT 2015

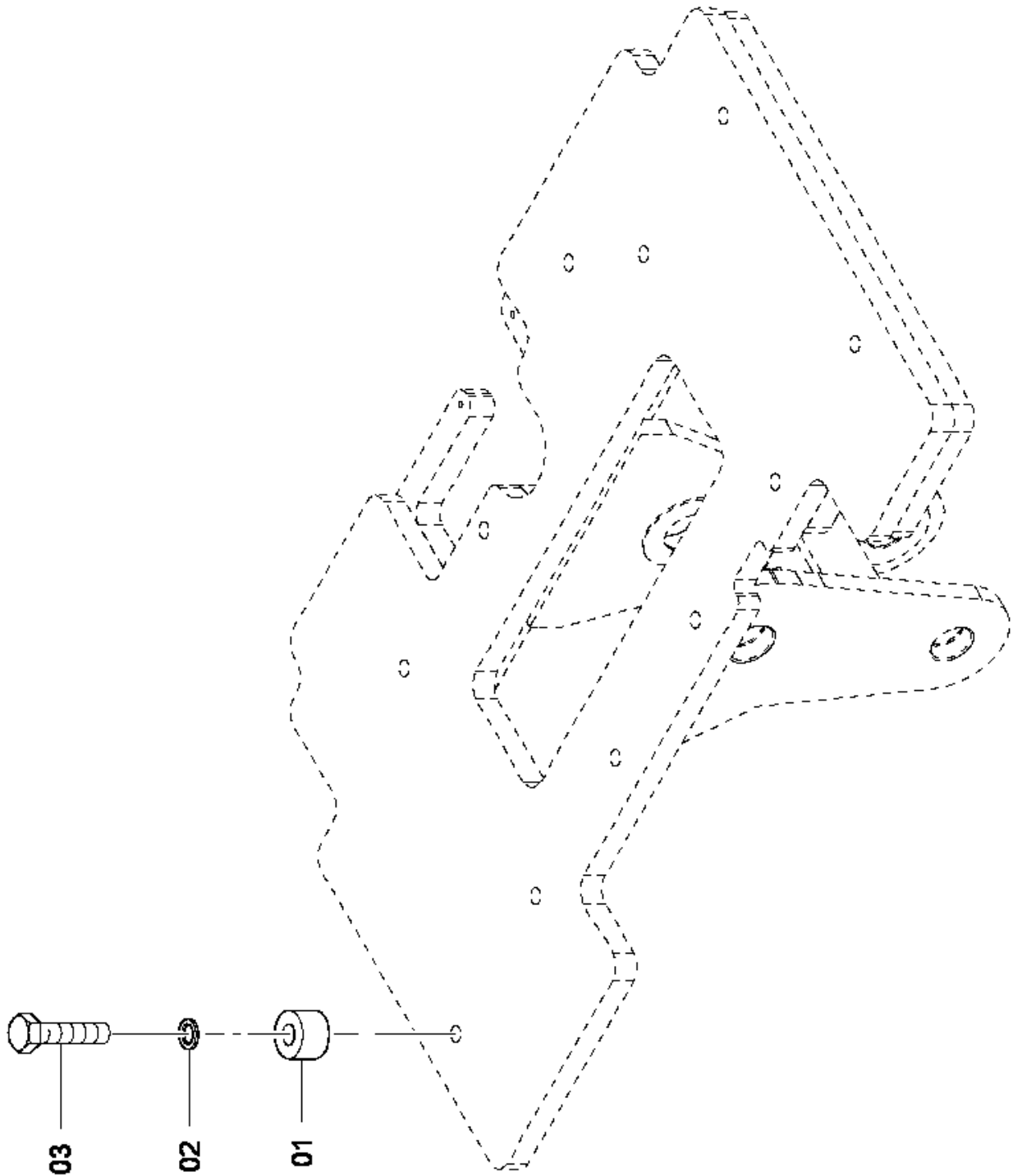
Front wheel, Parallell axle 4 Wheel Wheel support, left



Refer to Parts Online for the most up to date information. The printed information might be outdated.

Wed Apr 01 19:52:25 MDT 2015

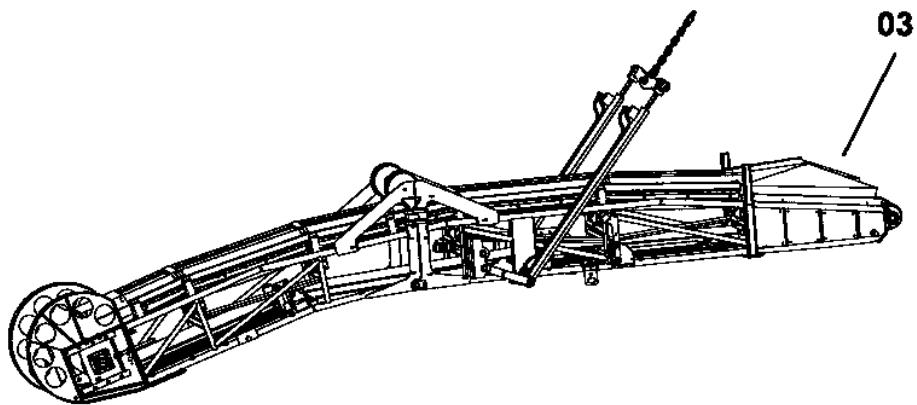
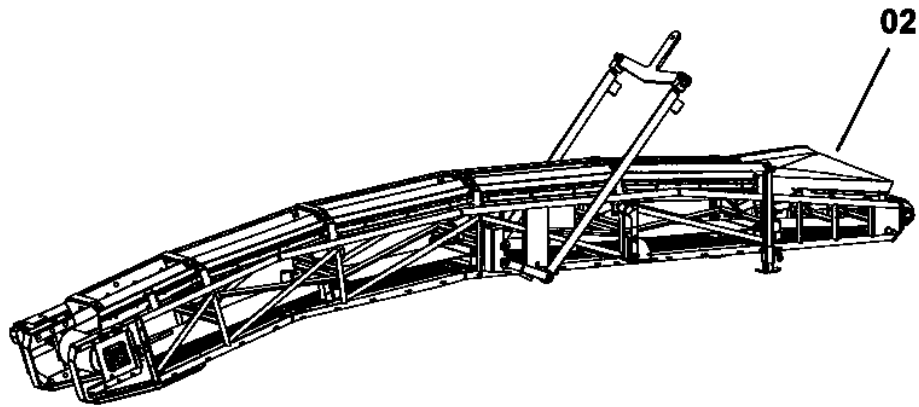
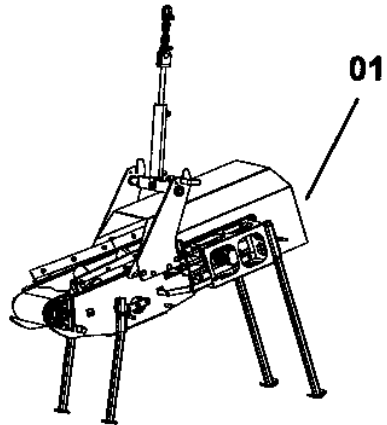
Front wheels module 4 wheel 4812001037 Spacer 4 Wheel



Refer to Parts Online for the most up to date information. The printed information might be outdated.

Wed Apr 01 19:52:26 MDT 2015

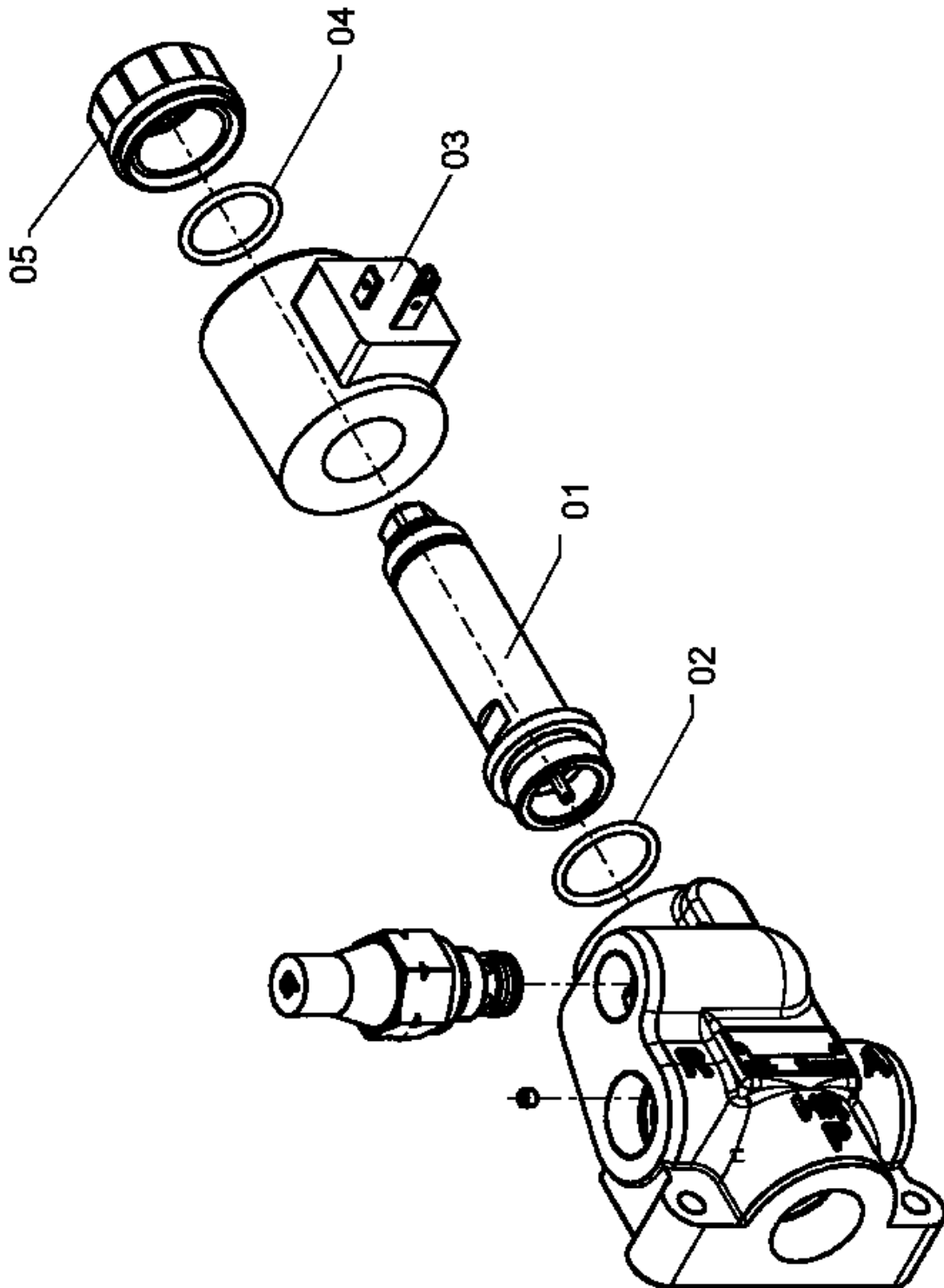
Conveyor PL500 Conveyor PL500



Refer to Parts Online for the most up to date information. The printed information might be outdated.

Wed Apr 01 19:52:29 MDT 2015

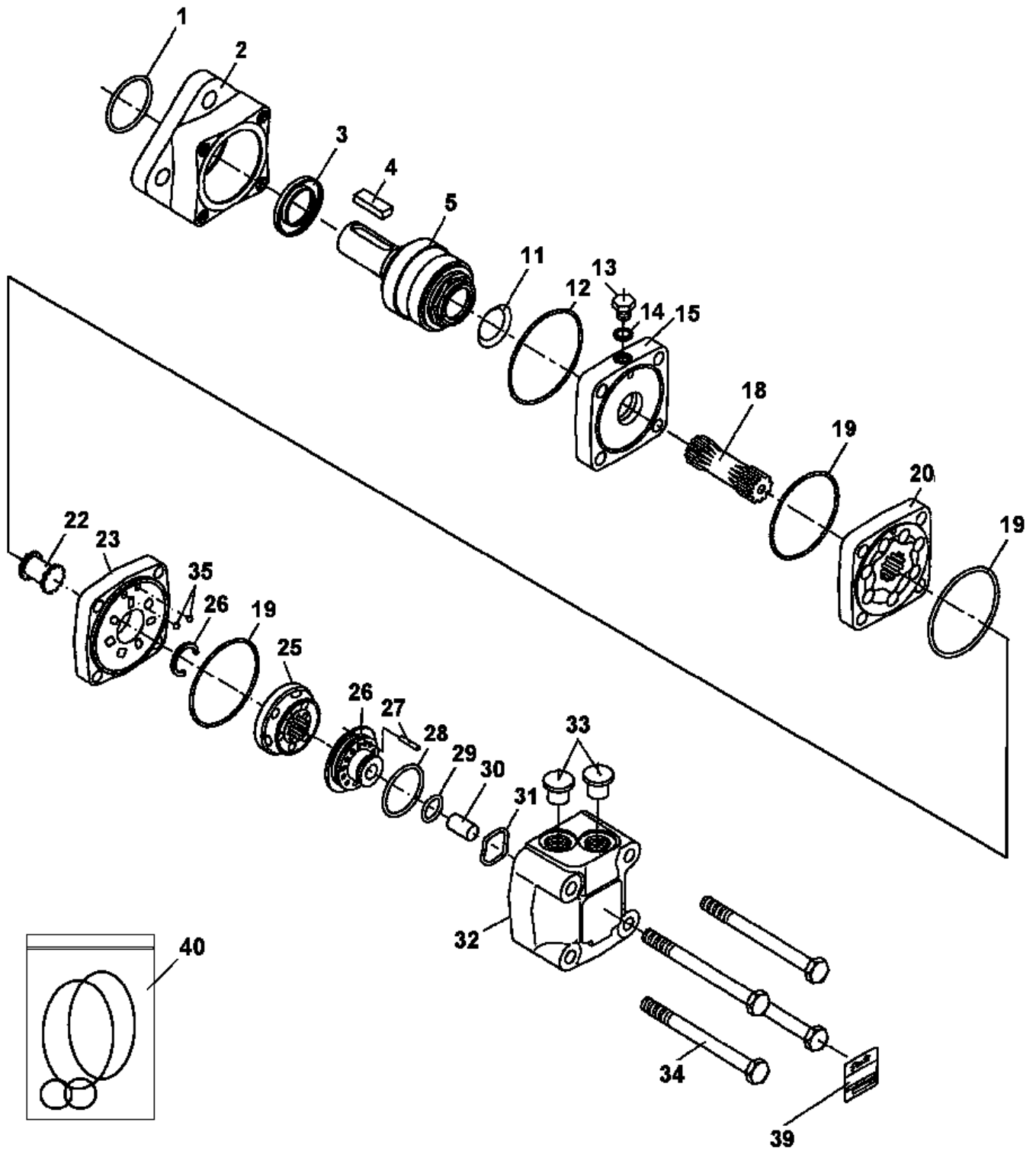
Hydraulic components Conveyor generell D963085401 Flow control valve compl.



Refer to Parts Online for the most up to date information. The printed information might be outdated.

Wed Apr 01 19:52:29 MDT 2015

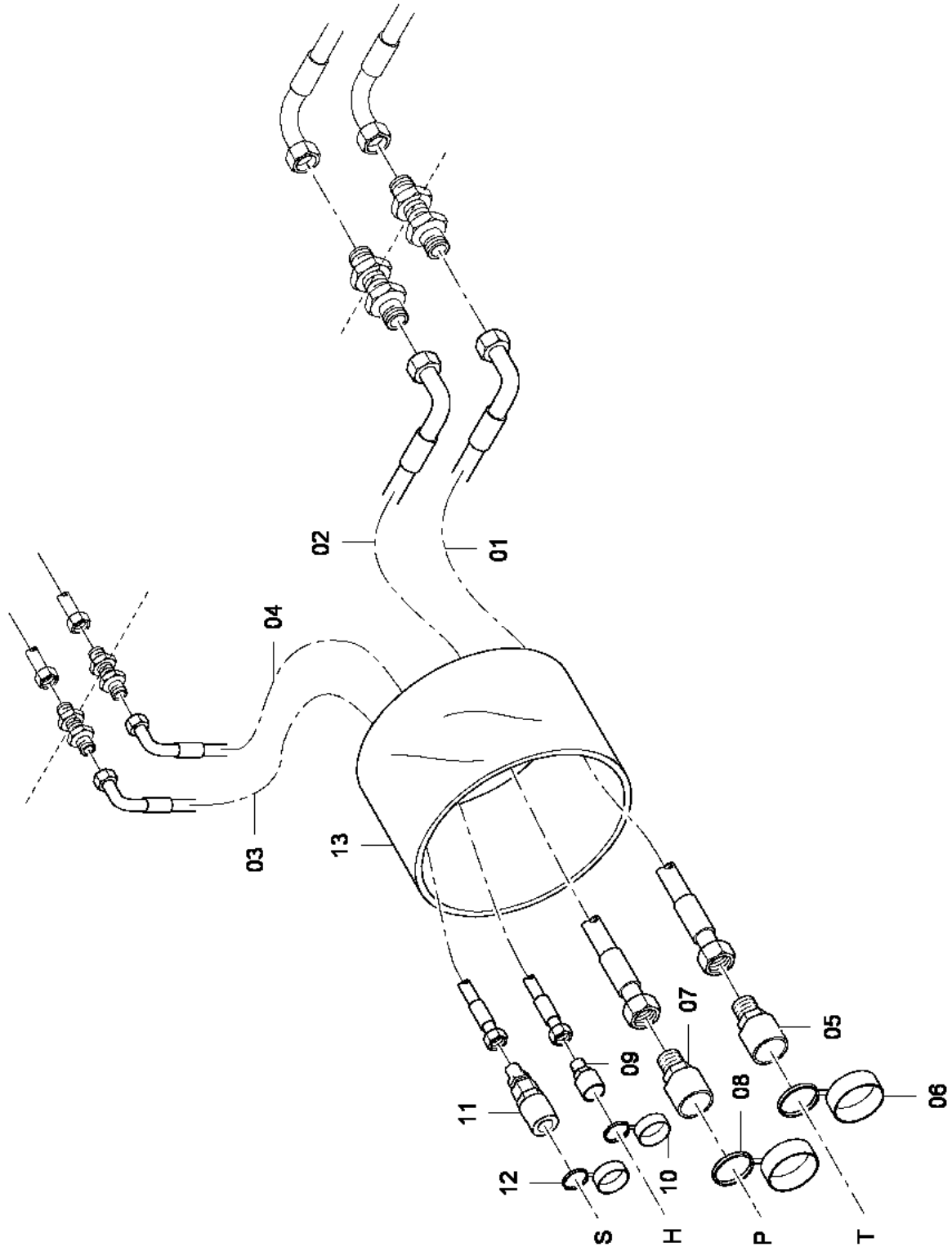
Conveyor 1000mm D966056099 Hydraulic motor



Refer to Parts Online for the most up to date information. The printed information might be outdated.

Wed Apr 01 19:52:32 MDT 2015

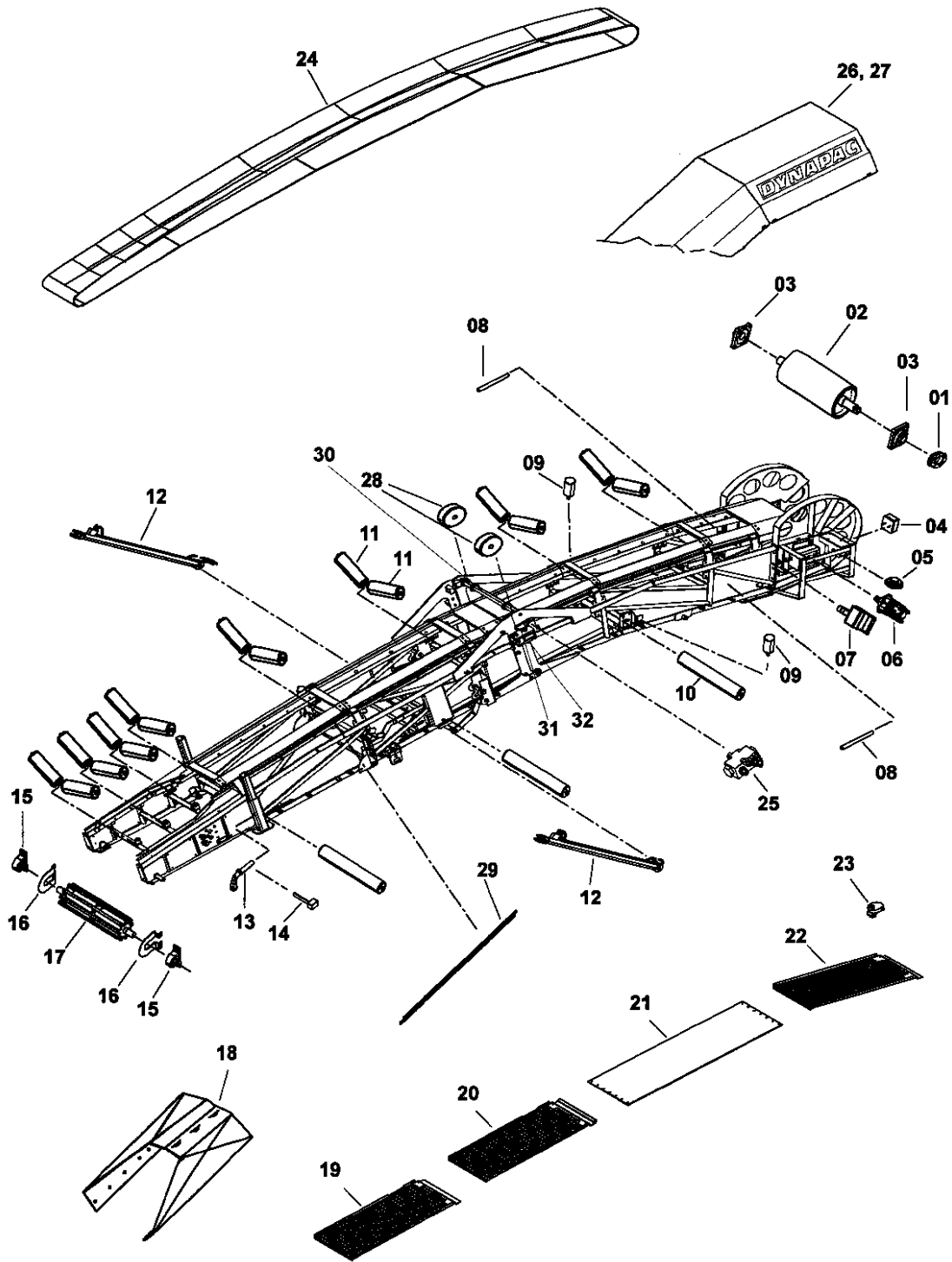
Conveyor 5500mm Rigid Hydraulic connection



Refer to Parts Online for the most up to date information. The printed information might be outdated.

Wed Apr 01 19:52:34 MDT 2015

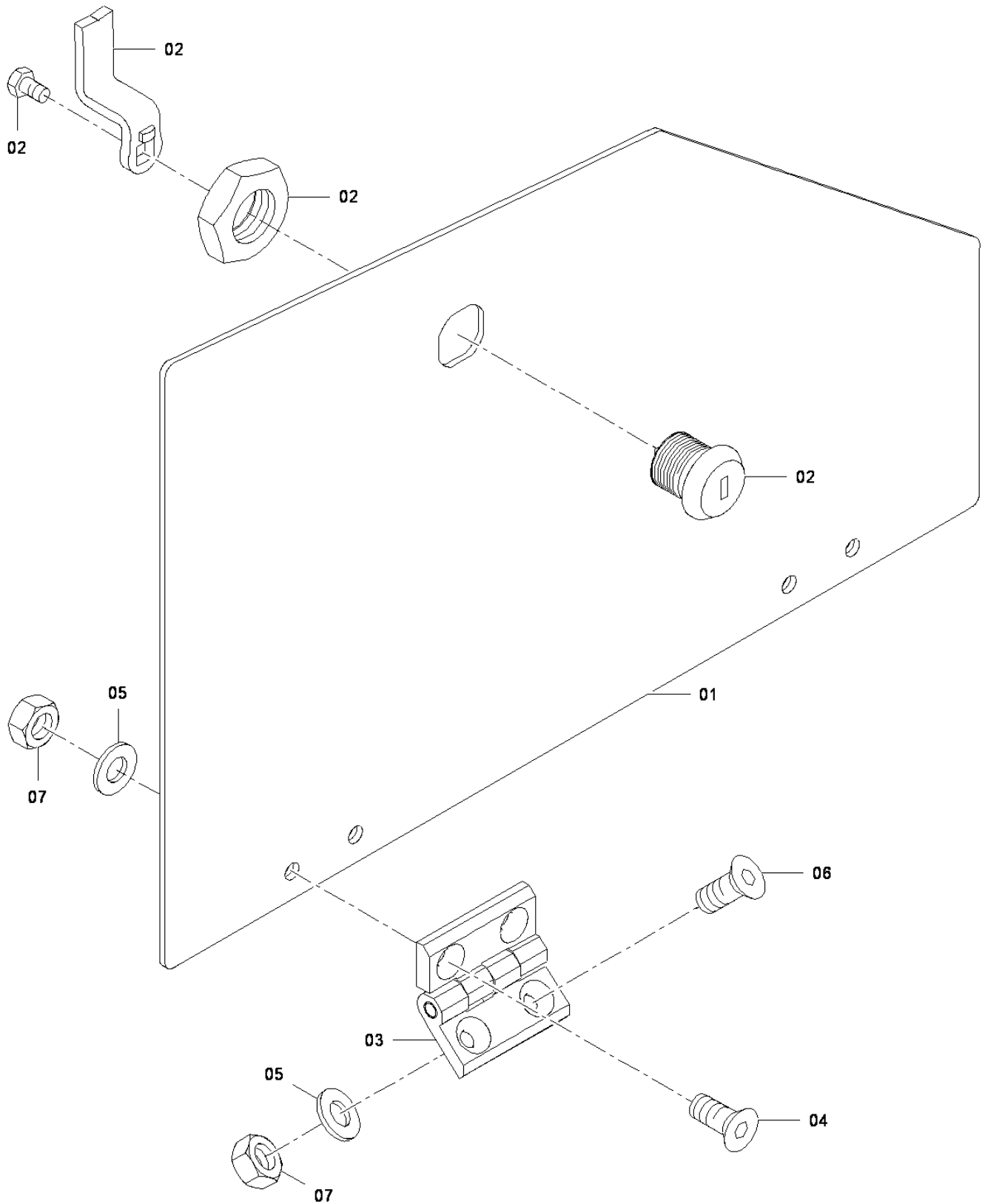
Conveyor 5500mm Foldable Conveyor 5500mm Foldable



Refer to Parts Online for the most up to date information. The printed information might be outdated.

Wed Apr 01 19:52:35 MDT 2015

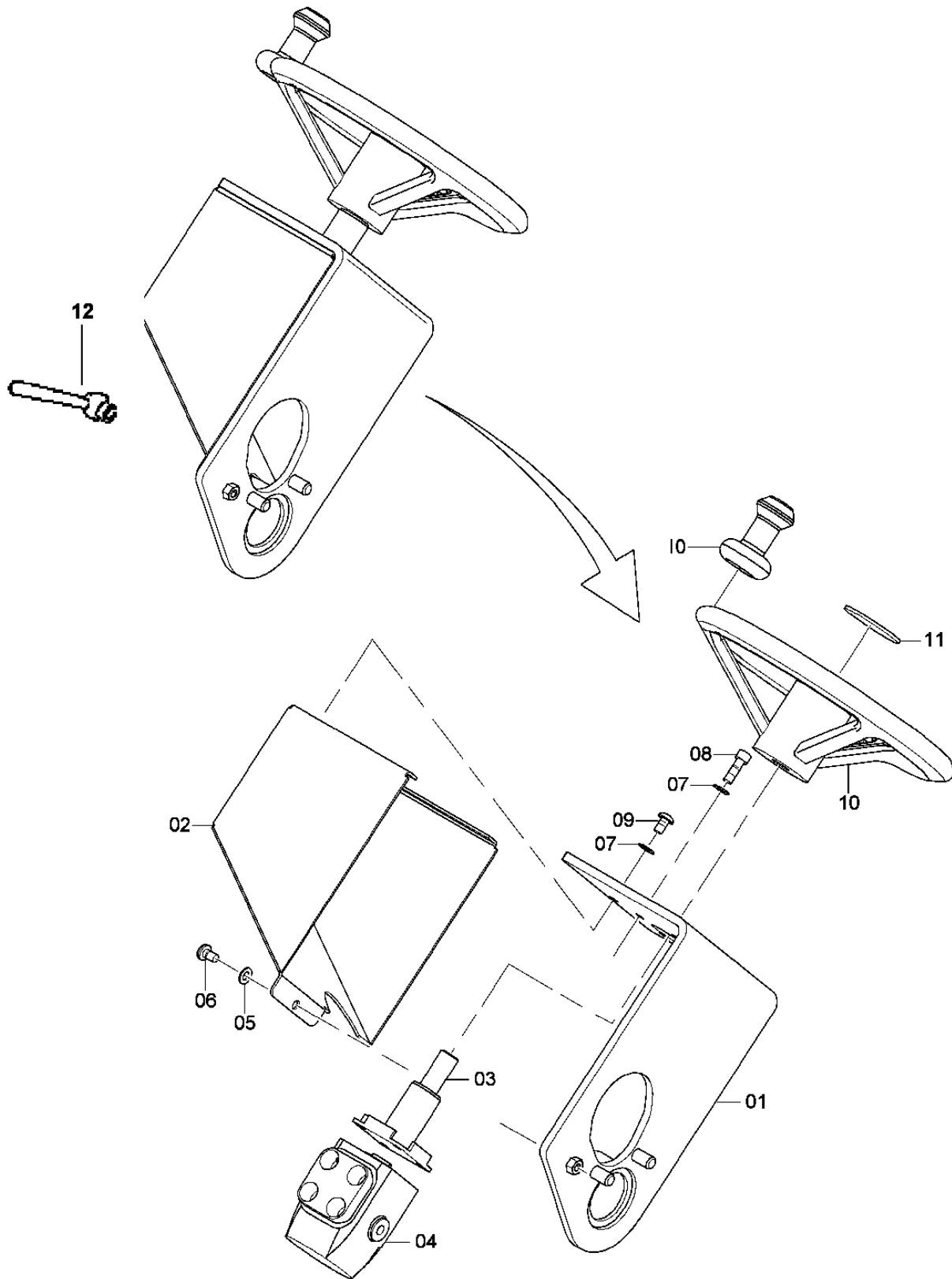
Console Operating panel Flap, compl.



Refer to Parts Online for the most up to date information. The printed information might be outdated.

Wed Apr 01 19:52:35 MDT 2015

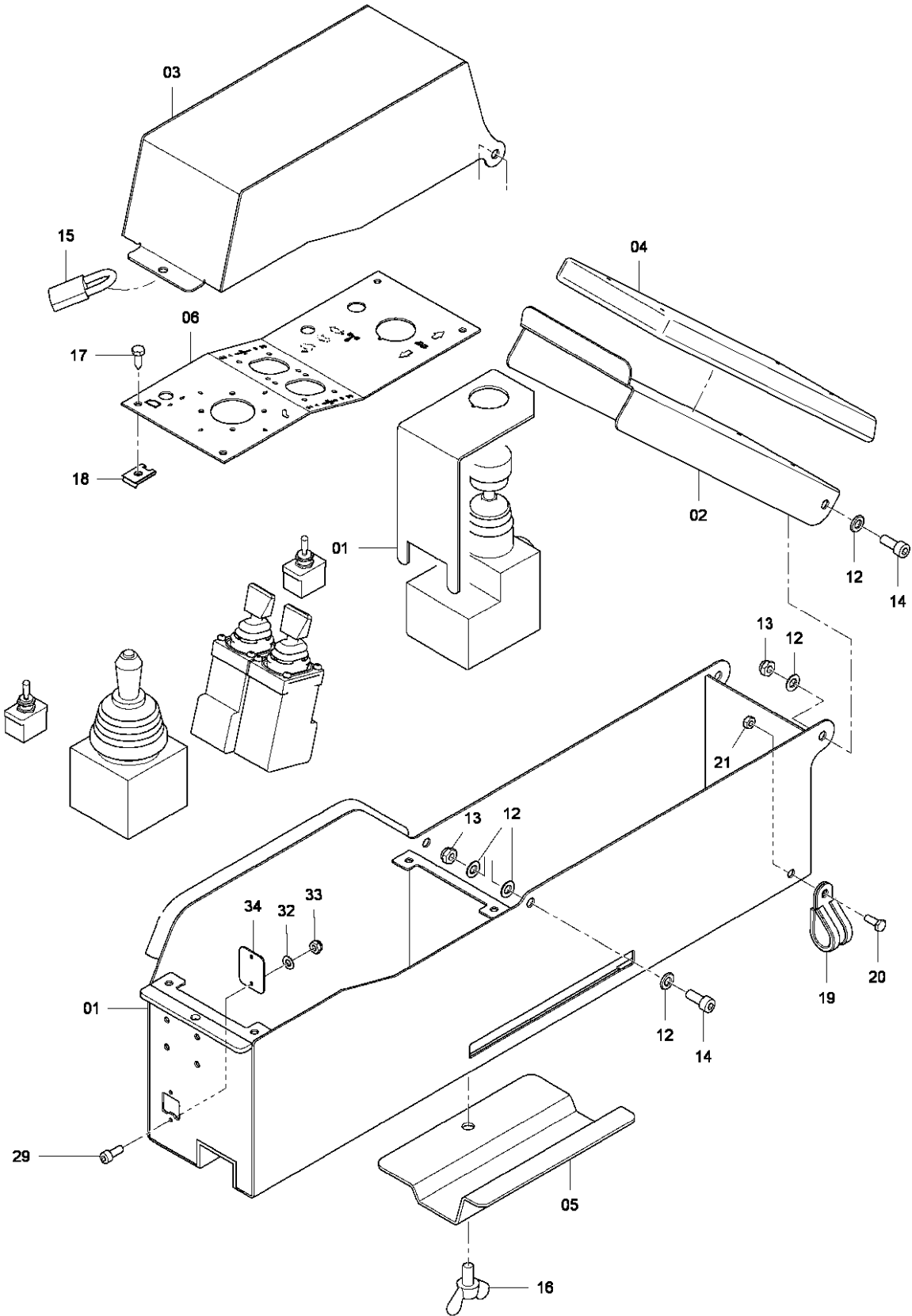
Drivers platform Electrical components Steering control unit



Refer to Parts Online for the most up to date information. The printed information might be outdated.

Wed Apr 01 19:52:37 MDT 2015

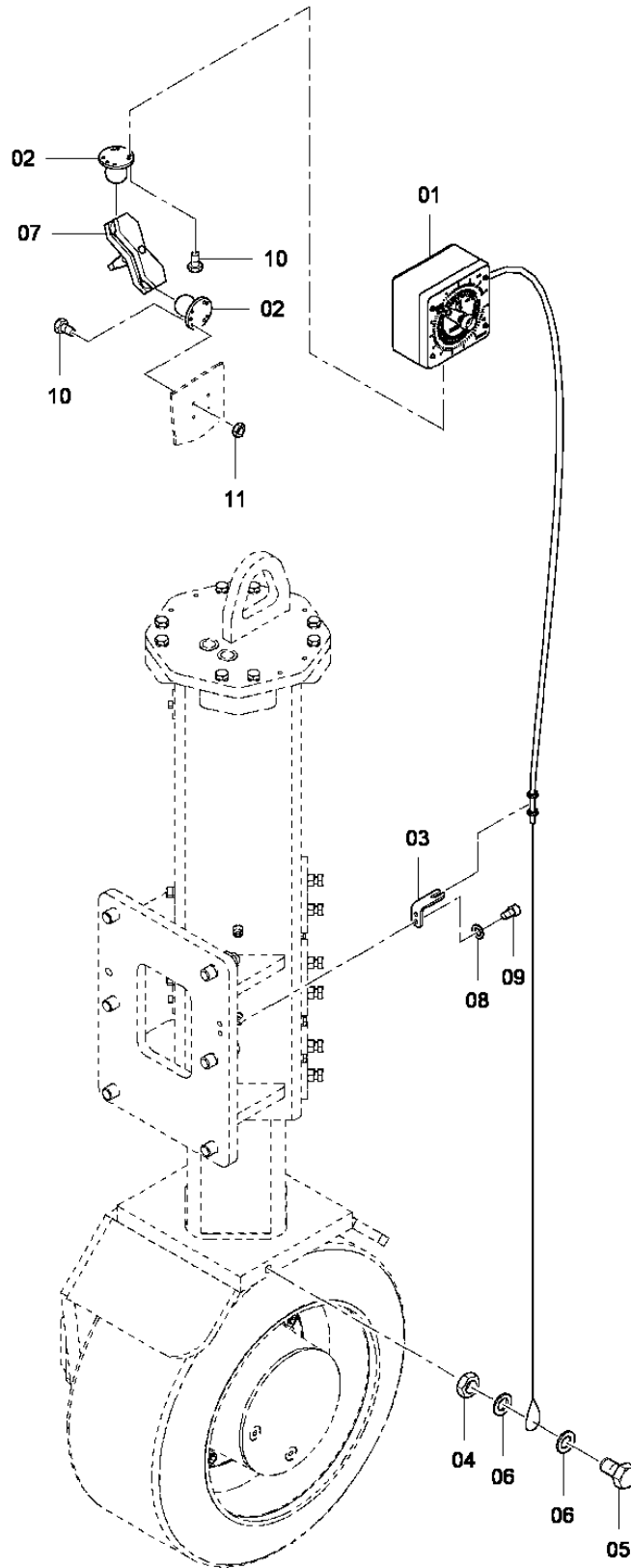
Ergonomics set Ergonomics set



Refer to Parts Online for the most up to date information. The printed information might be outdated.

Wed Apr 01 19:52:38 MDT 2015

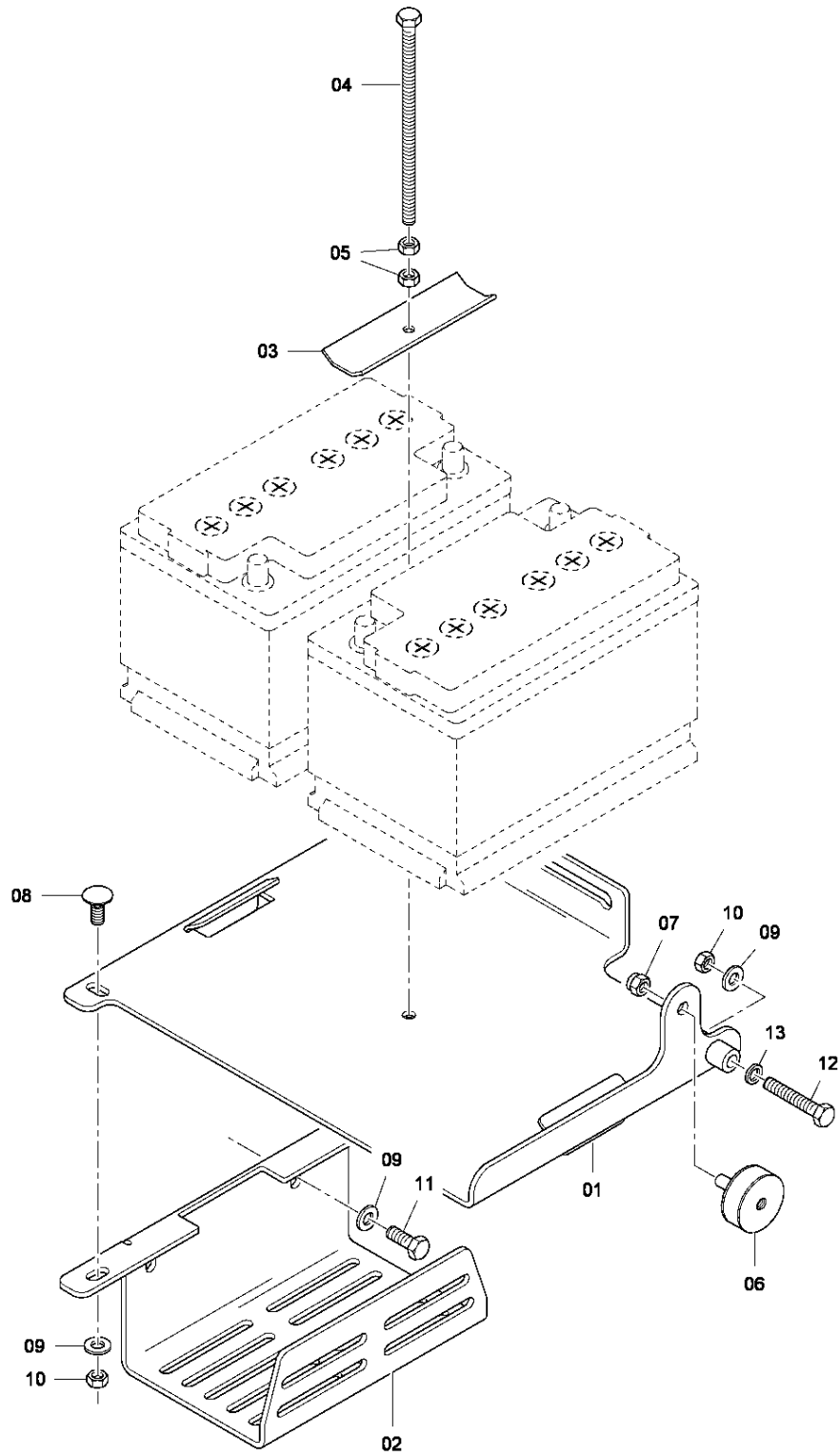
Level gauge, right side Level gauge, right side



Refer to Parts Online for the most up to date information. The printed information might be outdated.

Wed Apr 01 19:52:39 MDT 2015

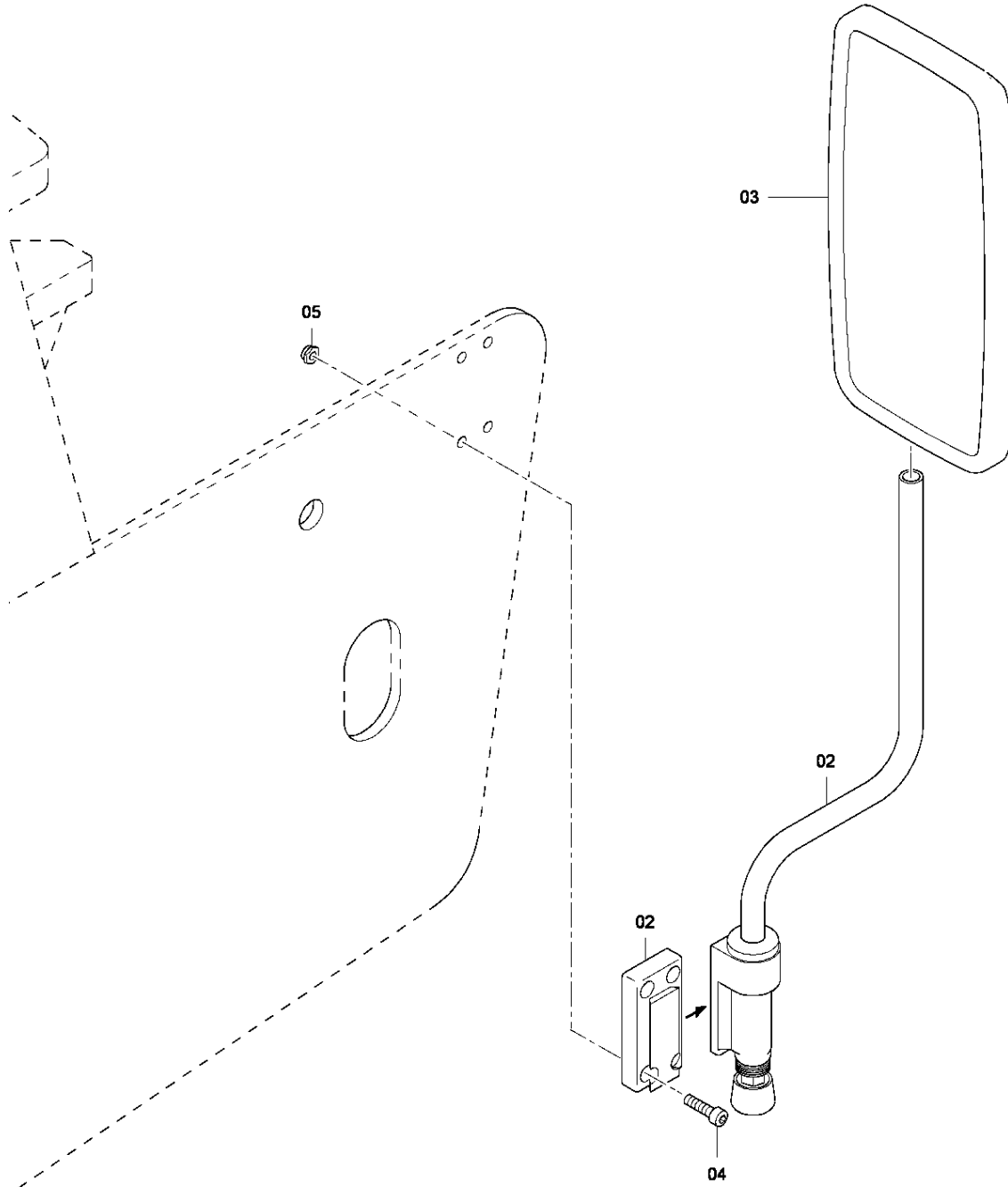
Battery bracket Battery bracket



Refer to Parts Online for the most up to date information. The printed information might be outdated.

Wed Apr 01 19:52:40 MDT 2015

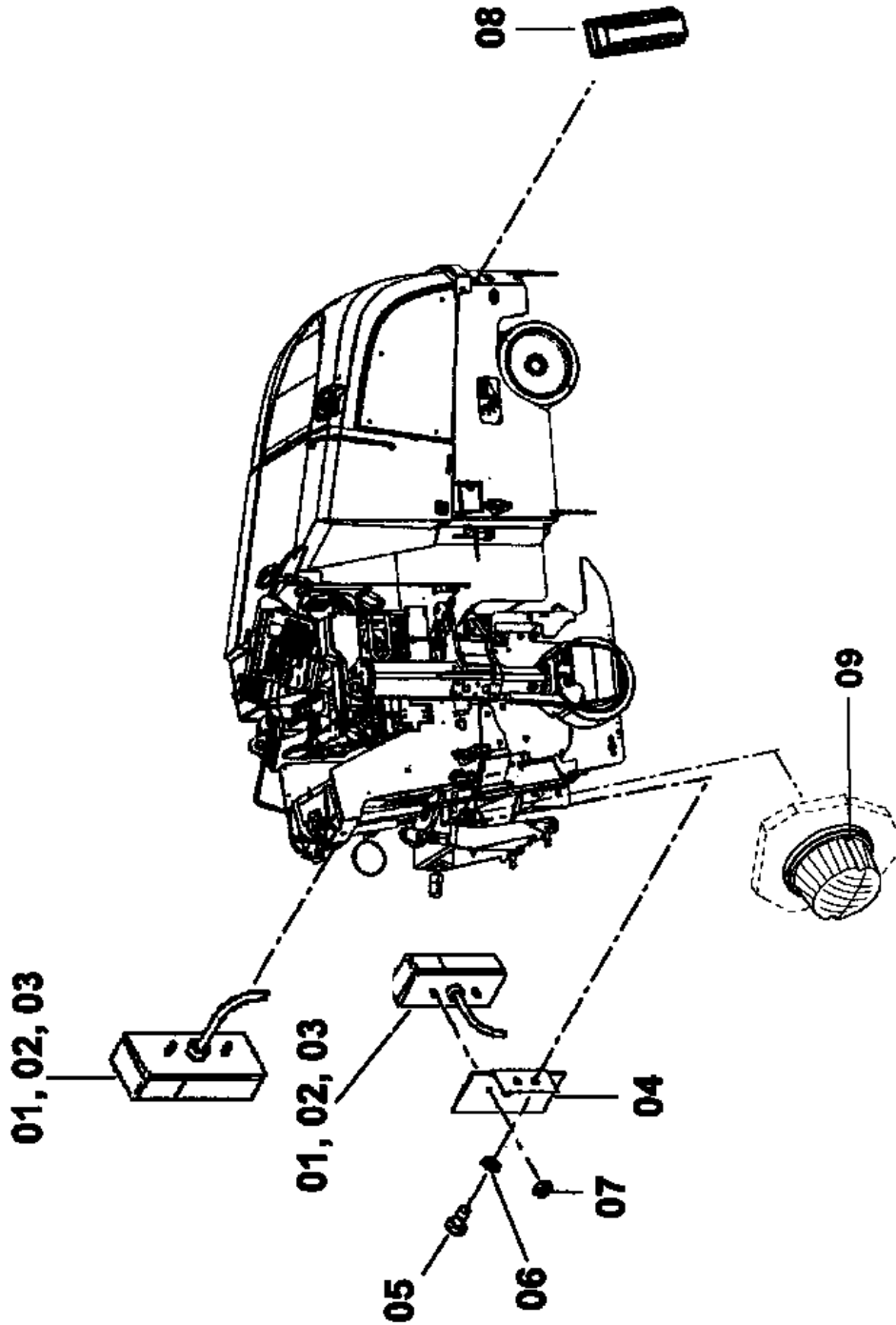
Drivers platform Mechanical components Mirror, compl. (Option)



Refer to Parts Online for the most up to date information. The printed information might be outdated.

Wed Apr 01 19:52:41 MDT 2015

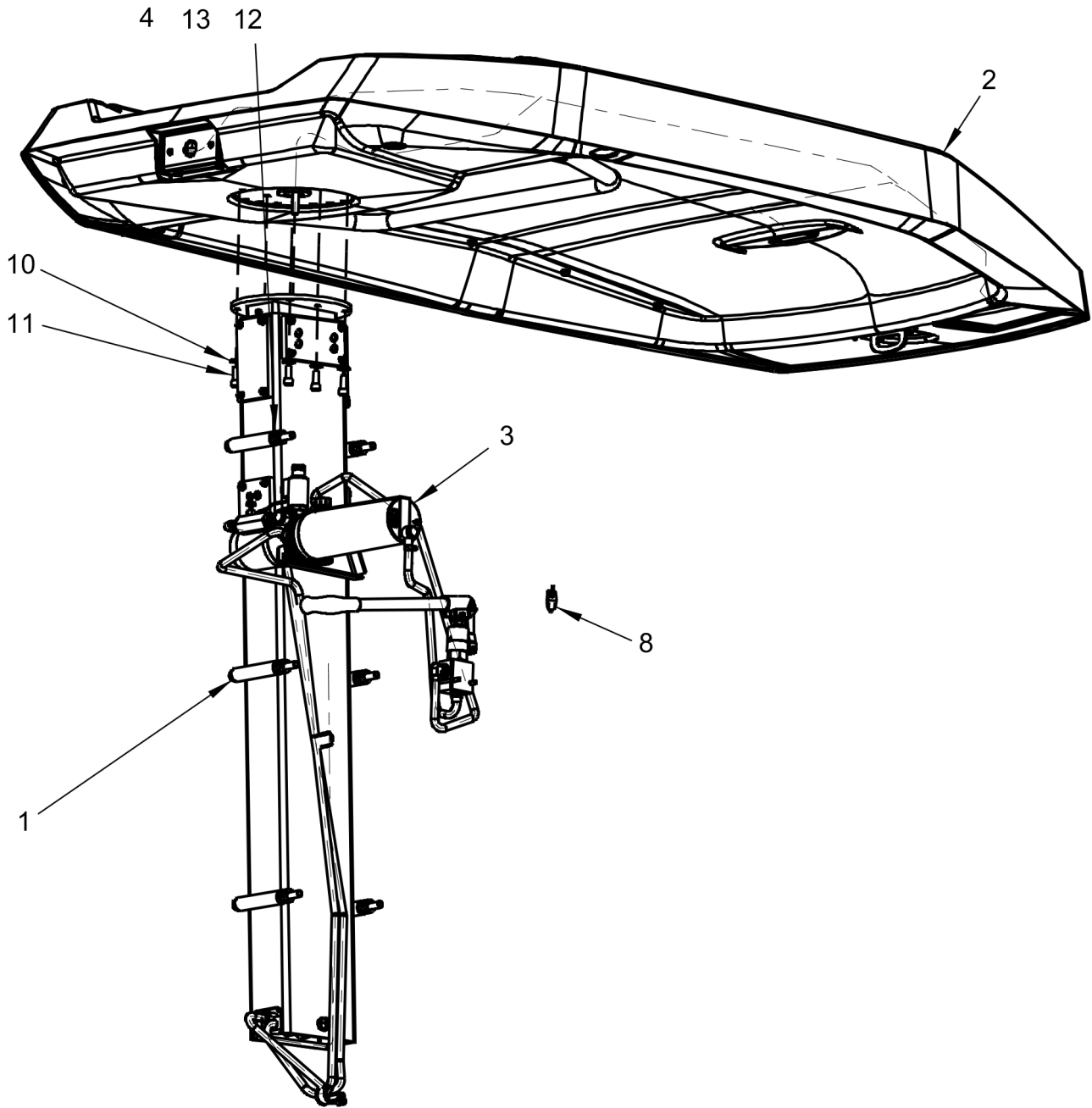
Lightning PL500 Traffic lights



Refer to Parts Online for the most up to date information. The printed information might be outdated.

Wed Apr 01 19:52:41 MDT 2015

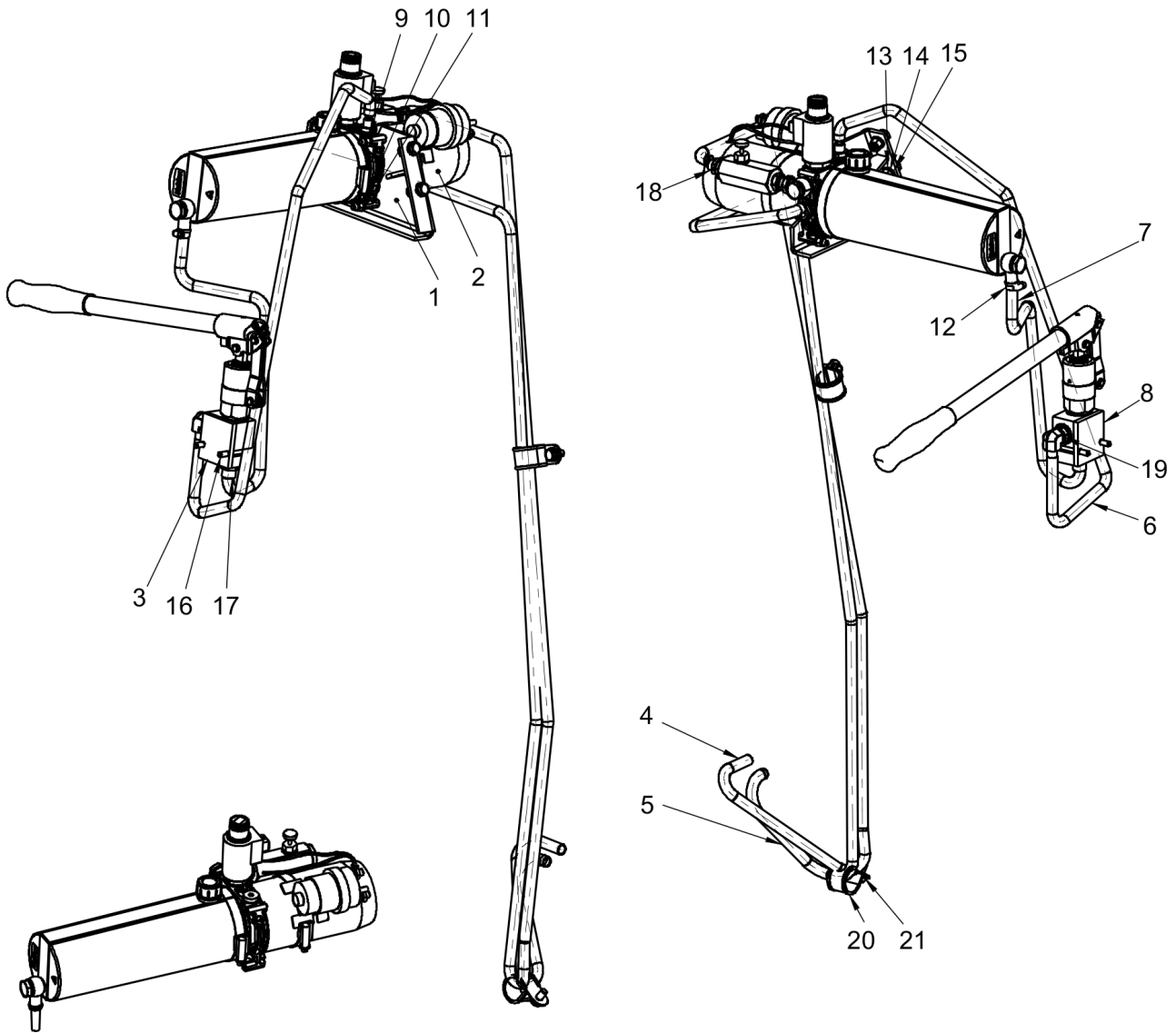
Canopy Canopy assy



Refer to Parts Online for the most up to date information. The printed information might be outdated.

Wed Apr 01 19:52:43 MDT 2015

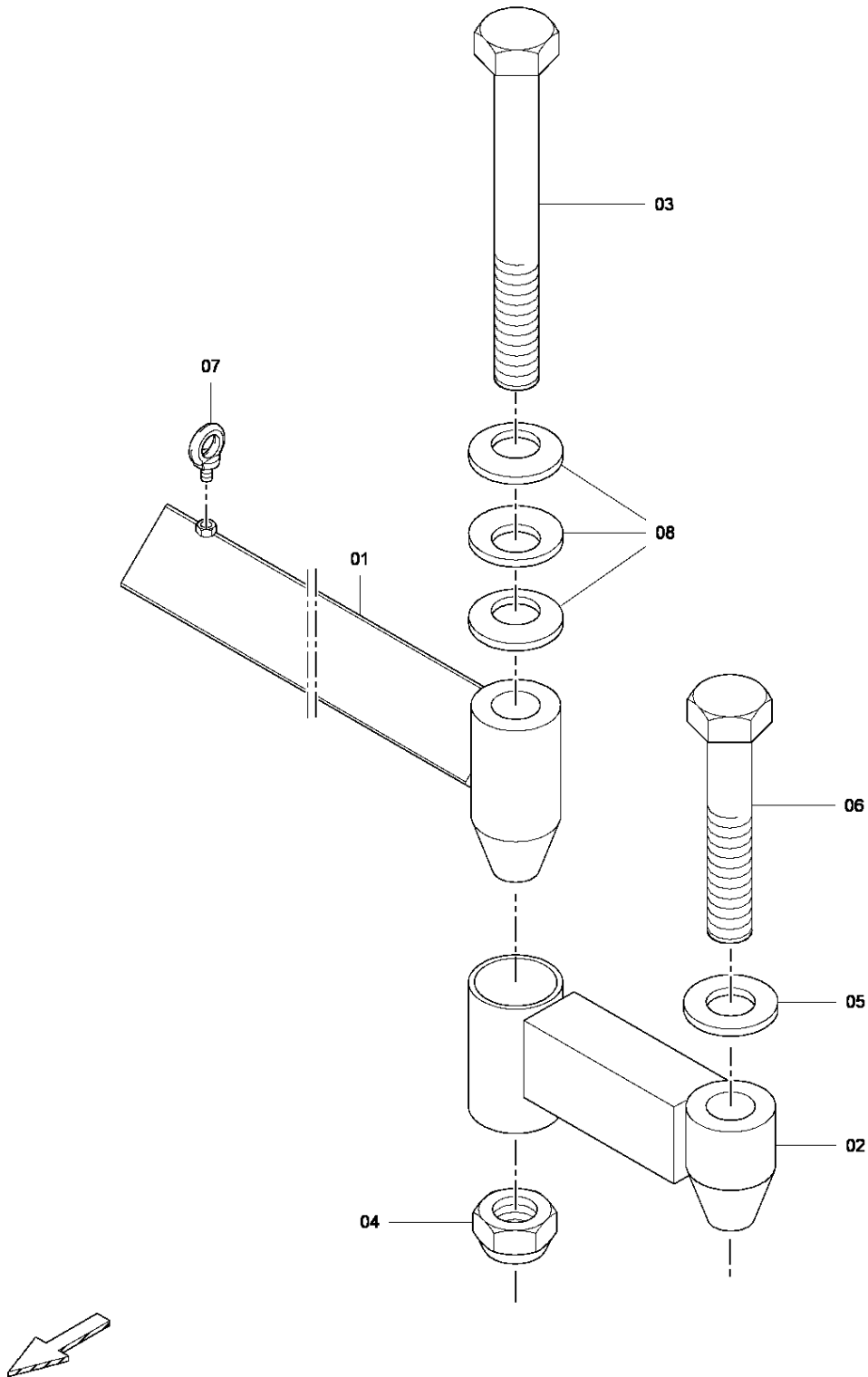
Canopy Hydraulic Assy



Refer to Parts Online for the most up to date information. The printed information might be outdated.

Wed Apr 01 19:52:44 MDT 2015

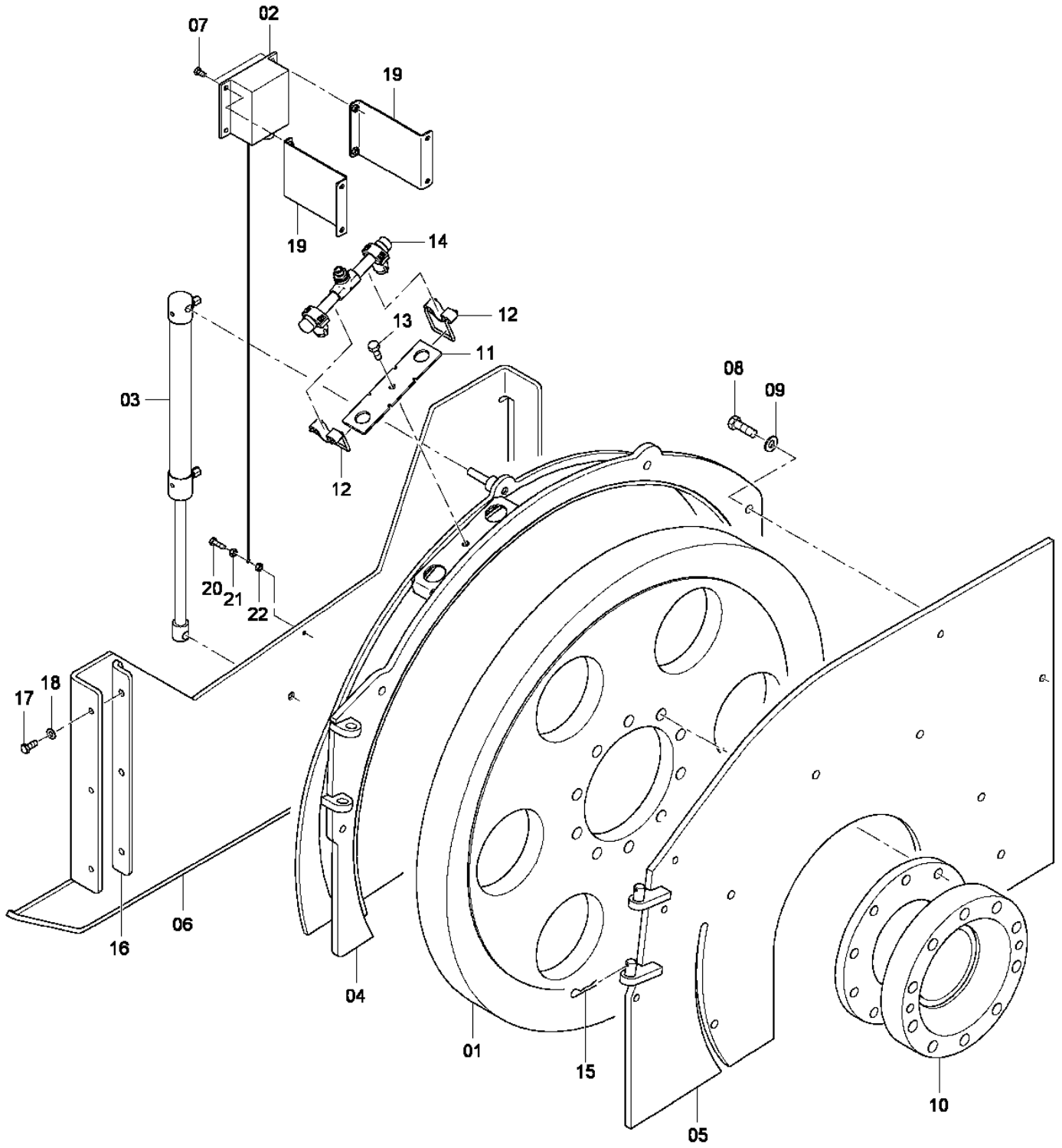
D503-10220 Grade control D503-10230 Swivel device



Refer to Parts Online for the most up to date information. The printed information might be outdated.

Wed Apr 01 19:52:45 MDT 2015

Cutting wheel Cutting wheel



Refer to Parts Online for the most up to date information. The printed information might be outdated.

Wed Apr 01 19:52:46 MDT 2015

Appendix B:Parts Index			
0111125203	218, 226	0147141203	184, 188
0111144900	218, 226	0147141803	262
0147110669	82, 118	0147141903	386
0147110868	334	0147145203	52
0147110909	334	0147147503	44, 44, 50, 138, 262, 380, 394
0147110911	24, 262	0147147703	44
0147120403	202	0147147803	116, 260
0147120703	336, 370	0147147903	44, 52, 222, 224, 230, 232
0147120803	324, 328	0147155303	44
0147124403	140, 320	0147156103	384
0147124603	202, 314, 320	0147196044	214
0147124703	320, 338	0147196101	192, 260
0147124803	138	0147196132	234
0147125112	36, 162	0147196180	82, 192
0147125503	390	0147196219	82
0147132003	110	0147196264	170, 178
0147132203	240, 336, 354, 394	0147196459	32
0147132303	16, 32, 82, 110, 140, 152, 184, 188, 192, 218, 288, 310, 328, 336, 338	0160099742	302, 338
0147132503	138, 152, 324, 328, 394	0190124143	218
0147132603	26, 76	0211110386	170, 178
0147132703	12, 134, 186	0211117103	240, 296
0147132712	54, 220, 328	0211124603	240, 296
0147132803	306	0211124703	132, 324, 366
0147132903	258	0211124903	302
0147133003	346	0211125003	208, 220
0147133112	34	0211125103	220, 246, 392
0147133403	12, 174, 180, 262, 378	0211132003	310
0147133603	88	0211132303	314, 368
0147135703	82	0211132603	344
0147135903	342	0211133503	148
0147136003	32, 78, 138, 162, 164, 220, 226, 260, 306, 394	0211133803	166
0147136203	42, 70, 236, 262, 266, 394	0211136003	184, 188
0147136303	26, 70, 82, 148, 158, 260, 356	0211136303	304
0147136403	114, 262, 306	0211136403	70
0147136912	158, 170, 178	0211136503	304
0147137003	334	0211137003	70
0147139703	306	0211140203	78
0147139803	16, 260	0211140303	192, 226
0147140003	118, 226	0211140403	192
0147140103	114, 118, 150, 184	0211144103	184
0147140203	30, 114, 136	0215000340	296
0147140303	114, 136, 184, 188	0215000613	238
0147140603	184, 188	0215000620	14, 88, 94, 146, 238
0147140703	192	0216110011	294
0147140903	192	0216110056	44, 78
		0216195773	14
		0216195783	294, 338, 338

Refer to Parts Online for the most up to date information. The printed information might be outdated.

Wed Apr 01 19:52:47 MDT 2015

D503210011	12	D503221100	42
D503210700	26	D503221400	42
D503210800	30	D503221700	76
D503211200	14	D503221800	76
D503211300	26	D503221900	76
D503211401	338	D503222800	32, 76
D503211500	26	D503240103	218, 226
D503211600	26	D503240104	218
D503212004	306	D503240106	218
D503212500	290	D503241000	218
D503212502	290	D503241701	320
D503212600	290	D503241703	320
D503212800	292	D503242100	304
D503212900	292	D503242200	304
D503213101	16	D503242500	218
D503213601	20, 22	D503242600	320
D503213602	20, 22	D503242601	322
D503213801	338	D503242701	220
D503214000	12	D503242702	220
D503214101	334	D503242800	218
D503214500	12	D503243700	222, 224, 230, 232
D503214600	18	D503243900	192
D503214601	18	D503244000	184, 188
D503214602	18	D503250000F	156
D503214700	18	D503250000_20	158
D503214800	20	D503250001	164
D503214801	20	D503250301	184, 188
D503214802	20	D503250303	186, 188
D503214900	20	D503250305	186
D503215000	22	D503250400	184, 188
D503215003	22	D503250600	184, 188
D503215005	22	D503250800	184, 188
D503215006	22	D503251000	184
D503215100	22	D503251102	188
D503215200	336	D503260100	82
D503215300	336	D503260101	82
D503215400	336	D503260400	80
D503220101	62	D503260500	134
D503220103	32	D503260503	134
D503220104	42	D503260505	134
D503220105	42	D503260600	136
D503220110	42	D503260605	136
D503220112	42	D503260700	80
D503220114	42	D503260700_20	138
D503220117	42	D503260701	138
D503220122	42	D503260702	138
D503220400	42	D503260703	138

Refer to Parts Online for the most up to date information. The printed information might be outdated.

Wed Apr 01 19:52:47 MDT 2015

CLICK HERE TO **DOWNLOAD** THE COMPLETE MANUAL

- Thank you very much for reading the preview of the manual.
- You can download the complete manual from: www.heydownloads.com by clicking the link below



- Please note: If there is no response to CLICKING the link, please download this PDF first and then click on it.

CLICK HERE TO **DOWNLOAD** THE COMPLETE MANUAL