



## Spare Parts List

### Model DA

## On-Land Semi Mounted plough

No 733020



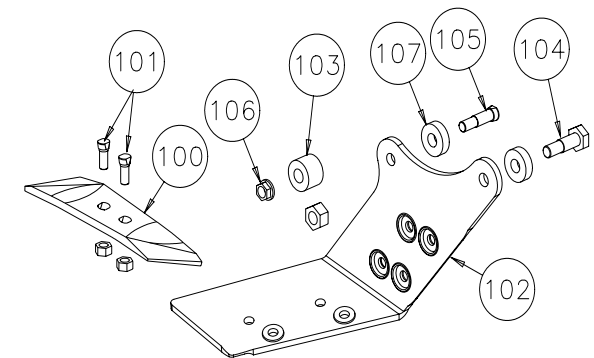
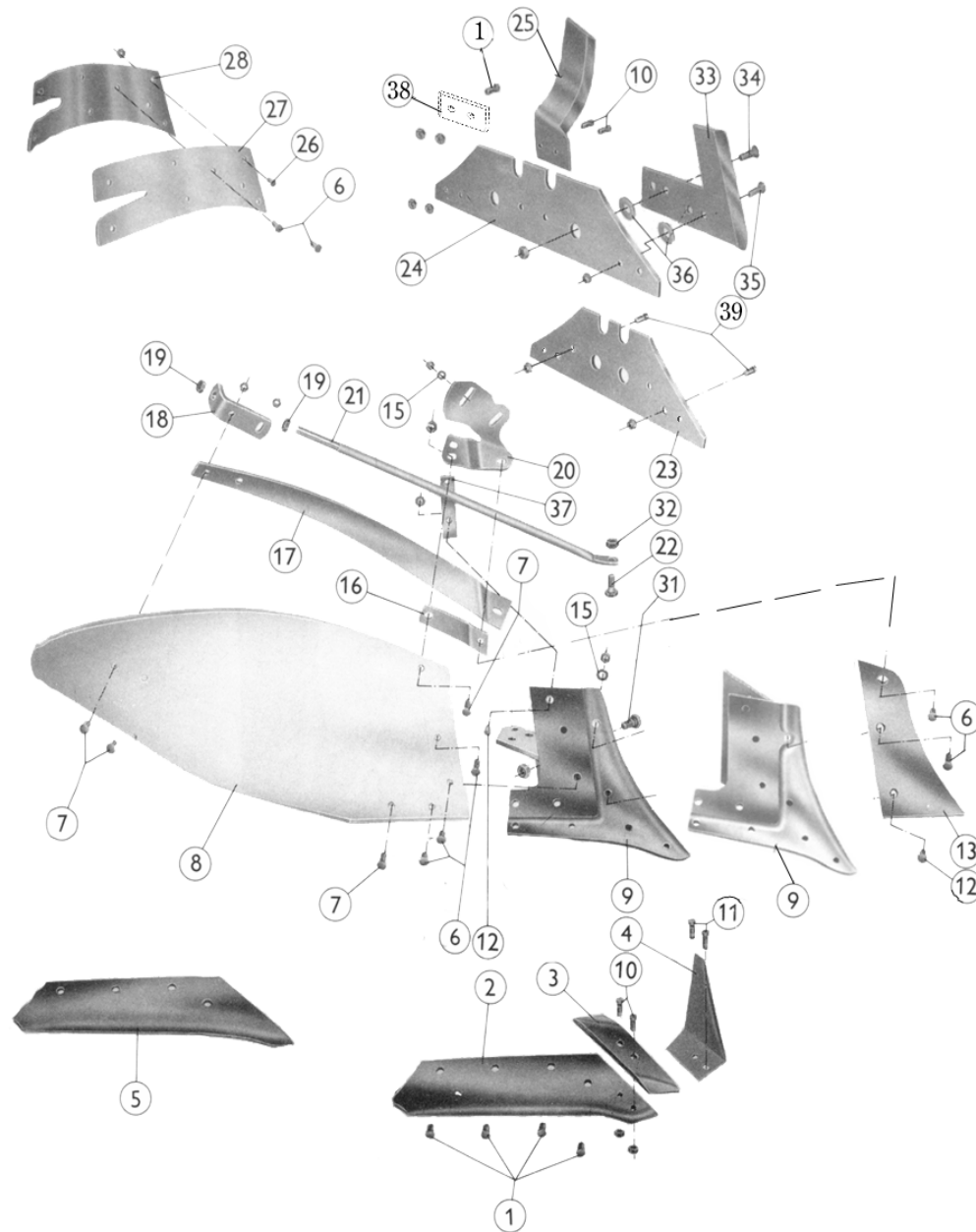
CLICK HERE TO **DOWNLOAD** THE COMPLETE MANUAL

- Thank you very much for reading the preview of the manual.
- You can download the complete manual from: [www.heydownloads.com](http://www.heydownloads.com) by clicking the link below

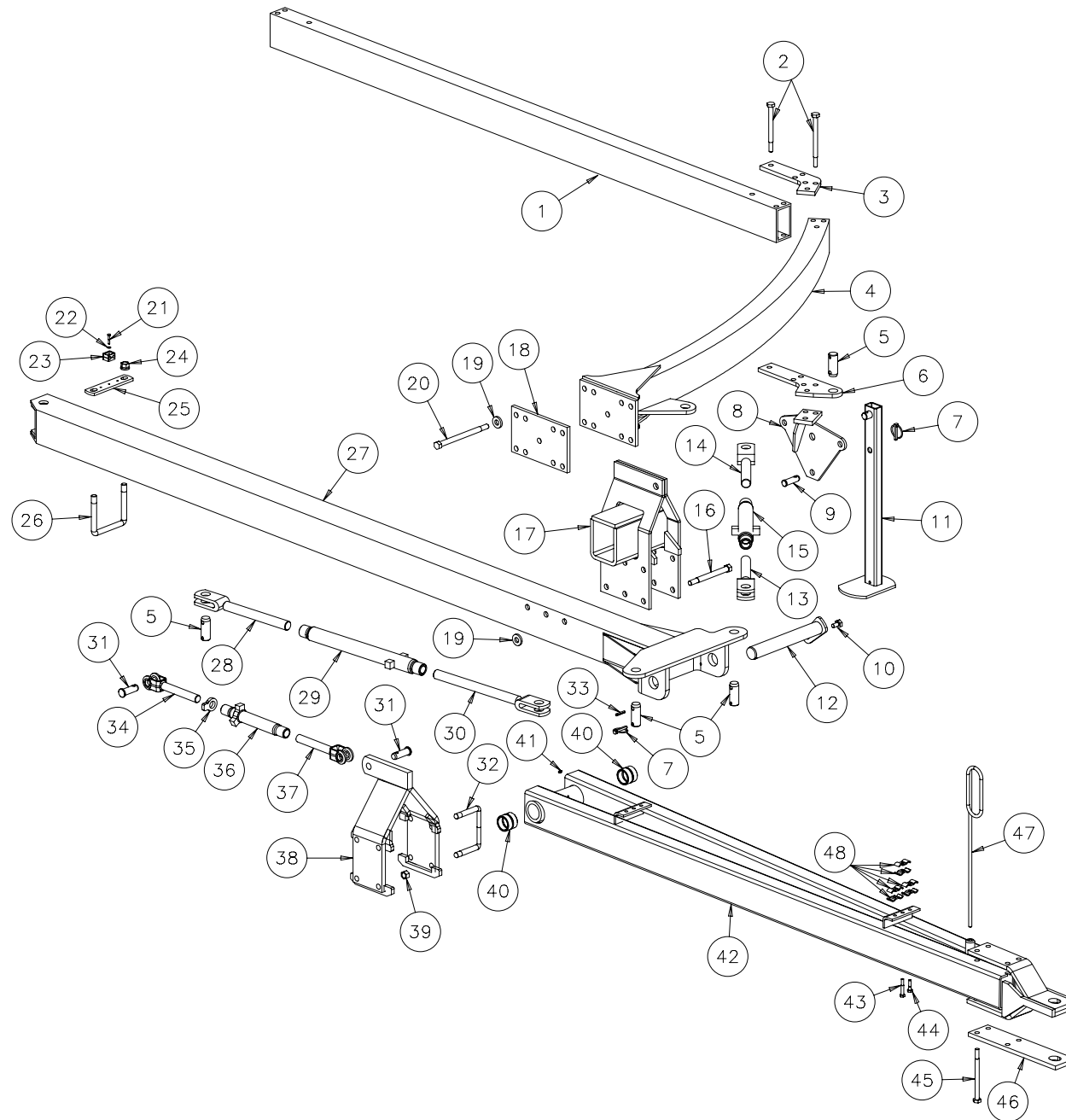


- Please note: If there is no response to CLICKING the link, please download this PDF first and then click on it.

CLICK HERE TO **DOWNLOAD** THE COMPLETE MANUAL



1	KK 03 13 40	Hex screw M8 x 40 mm
2	KK 05 61 56	Cap
3	KK 01 07 75	O-ring D54.5 x 3 mm
4	KK 05 61 12	Disc 18"
	KK 05 61 15	Disc 18" Notched
5	KK 05 61 14	Disc 20"
	KK 05 61 16	Disc 20" Notched
6	KK 06 61 02	Hub w/needles
7	KK 01 07 72	Seal ring
8	KK 01 07 60	Circlip
9	KK 06 61 08	Axle D30
10	KK 02 99 20	Grease nipple
11	KK 06 06 10	Disc coulters arm 18"
	KK 06 06 17	Disc coulters arm 20"
12	KK 05 61 90	Stop collar
13	KK 05 60 03	Stem ( for disc coulters Europe )
	KK 05 60 02	Stem ( for disc coulters Canada and USA )
14	KK 07 61 21	Bracket
15	KK 03 27 02	Hex screw M16 x 110 mm w/nut
16	KK 07 61 20	Holder
17	KK 03 27 65	Hex screw M16 x 65 mm w/nut
18	KK 01 12 72	Circlip
19	KK 01 04 85	Axle
20	KK 03 26 70	Hex screw M12 x 70 mm w/nut
21	KK 01 12 66	Circlip
22	KK 01 12 92	Washer D30 x 45 x 2.5 mm
Not ill.	KK 06 06 24	Hub cpl.
	KK 07 06 26	Holder cpl.



1	KK 01 03 28	Bolt M25.3 x 78 mm	24	KK 01 15 75	Threaded coupling
2	KK 35 23 85	Hydraulic cylinder D100 x 400 mm ( see plate no. 215 ) ( Before 01.09.96 )	25	KK 07 83 88	Oil tube L = 3250 mm ( 8 to 12 furrows )
	KK 35 27 83	Hydraulic cylinder D100 x 400 mm ( see plate no. 1056 ) ( From 01.09.96 )	26	KK 07 83 89	Oil tube L = 3000 mm ( 8 to 12 furrows )
3	KK 01 15 08	Hydraulic hose 3/8", L = 1500 mm	27	KK 01 15 22	Hydraulic hose 3/8", L = 4500 mm
4	KK 01 15 85	Gasket ring 3/8"	28	KK 06 86 78	Hydraulic hose 3/8", L = 1000 mm
5	KK 01 04 13	Axle w/ 2 holes D25 x 210 mm	29	KK 01 03 21	Bolt M25.3 x 135 mm
6	KK 01 20 59	Banjo bolt 3/8"	30	KK 01 07 00	Pin D12 ( Before 01.08.97 )
7	KK 01 22 21	Hydraulic hose 3/8", L = 1000 mm ( Before 26.10.92 )		KK 01 10 20	Roll pin D12 ( From 01.08.97 )
	KK 01 22 11	Hydraulic hose 3/8", L = 1200 mm ( From 26.10.92 )	31	KK 01 20 62	Banjo 3/8"
8	KK 01 03 19	Bolt w/jead D25.3 x 120 mm	32	KK 01 27 06	Quick coupling 3/8", female
9	KK 01 22 41	Hydraulic hose 3/8", L = 1500 mm	33	KK 01 25 08	Lock valve double 3/8"
10	KK 35 23 71	Hydraulic cylinder D75 x 200 mm ( see plate no. 1101 ) ( Before 01.08.96 )	34	KK 01 27 05	Quick coupling 3/8", male
	KK 35 37 05	Hydraulic cylinder w/adjustment stopper D75 x 200 mm ( see plate no. 890 ) ( From 01.08.96 ) ( Before 01.04.01 )	35	KK 01 22 61	Nipple 3/8" - 3/8"
	KK 35 39 05	Hydraulic cylinder w/stop D75 x 200 mm cpl. ( see plate no. 1195 ) ( From 01.04.01 )	36	KK 06 19 42	Clamp
11	KK 35 22 37	Stop clips ( for D75 mm cylinder )	37	KK 03 25 65	Hex screw M10 x 65 mm
	KK 35 22 38	Stop clips ( for D100 mm cylinder )	38	KK 01 58 13	Nut M10
12	KK 01 15 11	Hydraulic hose 3/8", L = 1250 mm	39	KK 01 21 58	Quick coupling 1/2"
13	KK 01 21 21	Threaded coupling	40	KK 01 20 75	Restrictor 3/8" - 1.0
14	KK 07 83 87	Oil tube L = 1900 mm ( 8 furrows )	41	KK 01 20 76	Restrictor 3/8" - 1.4
	KK 07 83 89	Oil tube L = 3000 mm ( 9 furrows )	42	KK 01 25 77	Threaded coupling 3/8" - 3/8"
	KK 07 83 90	Oil tube L = 4100 mm ( 10 furrows )	43	KK 01 25 48	Banjo 3/8" w/ adjustable end
	KK 07 83 91	Oil tube L = 4900 mm ( 11 and 12 furrows )	44	KK 01 20 82	Banjo bolt 3/8" w/ 1.4 mm restrictor
15	KK 06 86 72	Hydraulic hose 3/8", L = 2900 mm ( 8 - 10 furrows )	45	KK 01 20 81	Banjo bolt 3/8" w/ 1.0 mm restrictor
	KK 01 15 39	Hydraulic hose 3/8", L = 3700 mm ( 11 - 12 furrows )	46	KK 03 25 40	Hex screw M10 x 40 mm
16	KK 35 23 70	Hydraulic cylinder D75 x 200 mm ( see plate no. 1101 ) ( Before 01.08.96 )	47	KK 03 10 10	Cylinder screw M5 x 16 w/ inner hex
	KK 35 37 04	Hydraulic cylinder D75 x 200 mm ( see plate no. 890 ) ( From 01.08.96 ) ( Before 01.04.01 )	48	KK 35 22 49	Half stop clips, steel
	KK 35 39 04	Hydraulic cylinder D75 x 200 mm ( see plate no. 1195 ) ( From 01.04.01 )			
17	KK 05 83 89	Nut M18			
18	KK 05 83 88	Cutting ring			
19	KK 01 15 53	T-coupling			
20	KK 01 15 57	Threaded coupling 3/8"			
21	KK 01 22 05	Hydraulic hose 3/8", L = 2200 mm ( 8 - 10 furrows )			
	KK 06 86 72	Hydraulic hose 3/8", L = 2900 mm ( 11 - 12 furrows )			
22	KK 01 15 96	Hose band			
23	KK 01 15 20	Hydraulic hose 3/8", L = 800 mm			



CLICK HERE TO **DOWNLOAD** THE COMPLETE MANUAL

- Thank you very much for reading the preview of the manual.
- You can download the complete manual from: [www.heydownloads.com](http://www.heydownloads.com) by clicking the link below



- Please note: If there is no response to CLICKING the link, please download this PDF first and then click on it.

CLICK HERE TO **DOWNLOAD** THE COMPLETE MANUAL