

TOYOTA

Reach truck 7FBRE 14(-1)(-2)(-3)(C)

Valid for machine number: 435653AT -

Only valid for machine number:

--	--	--	--	--	--	--	--



Spare Parts Catalogue

Ordering number200980

Date2002-02-13 / ESIF

CLICK HERE TO **DOWNLOAD** THE COMPLETE MANUAL

- Thank you very much for reading the preview of the manual.
- You can download the complete manual from: www.heydownloads.com by clicking the link below



- Please note: If there is no response to CLICKING the link, please download this PDF first and then click on it.

CLICK HERE TO **DOWNLOAD** THE COMPLETE MANUAL

9000 Options/attachments

Tillbehör/extrautrustning; Zubehör /Zusatzausrüstung; Equipement supplémentaire/Options

9180-001 Fork extensions

Förlängningsgaffel; Aufsteckgabel; Rallonges de fourches

9360-016 Extra lighting

Extra belysning; Zusatzbeleuchtung; Eclairage supplémentaire

9360-017 Extra lighting

Protective grating, transparent plastic

Extra belysning; Zusatzbeleuchtung; Eclairage supplémentaire

9370-029 Extra warning lights/alarm

Extra varningsljus/-larm; Extra Warn-/Alarmleuchte; Avertisseurs/dispositifs dalarmesupplémentaires'

9380-001 Charger attachment

Acid circulation

Laddartillsats; Zusatzladegerät; Chargeur supplémentaire

9500-020 Other extra equipment

Load support

Extra utrustning övrigt; Zusatzausrüstung Sonstiges; Autre équipement supplémentaire

9500-071 Other extra equipment

Writing table

Extra utrustning övrigt; Zusatzausrüstung Sonstiges; Autre équipement supplémentaire

9500-269 Other extra equipment

Fork distance

Extra utrustning övrigt; Zusatzausrüstung Sonstiges; Autre équipement supplémentaire

0620-040 Seat, cushions

[2002-02-12]

Förarstol, dynor; Fahrersitz, Kissen; Siège, coussins de siège/dossier

Pos	Description	Pcs	Part No	Note
			691 7FBRE 14 692 7FBRE 14C	435653 - 435653 -
11	Seat complete(Textile) Stol kpl.(Textil); Sitz kpl.(Textil); Siege cpl.(Textile)	1	201535-003	
11	Seat complete(Heated 48v / vinyl) Stol kpl.(El-uppvärmd 48v / vinyl); Sitz kpl.(EL, Erwärmung 48v / vinyl); Siege cpl.(Chauffage él 48v / vinyle)	1	201535-004	
12	Seat cushion(Textile) Sitt dyna(Textil); Sitzkissen(Textil); Siège(Textile)	1	1057146GAG	
12	Seat cushion(Heated 48v / vinyl) Sitt dyna(El-uppvärmd 48v / vinyl); Sitzkissen(EL, Erwärmung 48v / vinyl); Siège(Chauffage él 48v / vinyle)	1	138300GAG	
13	Back rest(Textile) Ryggdyna(Textil); Rückenlehne(Textil); Dossier(Textile)	1	1057147GAG	
13	Back rest(Heated 48v / vinyl) Ryggdyna(El-uppvärmd 48v / vinyl); Rückenlehne(EL, Erwärmung 48v / vinyl); Dossier(Chauffage él 48v / vinyle)	1	138287GAG	
14	Micro switch(Complete) Mikrobrytare(Komplett); Mikroschalter(Komplett); Interrupteurs(Complect)	1	162049	
15	Housing Kåpa; Haus; Chape	1	162047	
16	Repair kit Reperationssats; Reparatursatz; Kit de réparation	1	162048	
17	Lever Spak; Hebel; Levier	1	162035	
18	Housing Kåpa; Haus; Chape	1	162036	
19	Damper(Kit) Dämpare(Sats); Dämpfer(satz); Attenteur(Jeux)	1	162039	
20	Repair kit Reperationssats; Reparatursatz; Kit de réparation	1	162038	
21	Lever Spak; Hebel; Levier	1	162045	
22	Housing Kåpa; Haus; Chape	1	162037	
23	Wire Wire; Drahtseil; Filament	1	162046	
24	Gas suspension Gasfjäder; Gasfederung; Suspension à gaz	1	162040	
25	Spring Fjäder; Feder; Ressort	1	162041	
26	Arm Arm; Arm; Bras	1	162044	
27	Arm Arm; Arm; Bras	1	162042	
28	Bracket(Kit) Fäste(Sats); Halterung(satz); Support(Jeux)	1	162043	
29	Bar(Kit) Skena(Sats); Stab(satz); Barre(Jeux)	1	162050	
30	Safety belt(Rolled) Säkerhetsbälte(Rullande); Stehgurt(Rollen); Ceiture de sécurité(Roulant)	1	162031	
30	Safety belt(Without roller) Säkerhetsbälte(Utan rulle); Stehgurt(Ohne rolle); Ceiture de sécurité(Sans roleau)	1	162032	
31	Screw Skruv; Schraube; Vis	2	21159	
32	Distance piece Distans; Distanz; Distance	4	146334	
33	Washer Bricka; Scheibe; Rondelle	4	20404	
34	Nut Mutter; Mutter; Ecrou	4	20016	
35	Screw Skruv; Schraube; Vis	2	161936	

Pos	Description	Pcs	Part No	Note
15	Protection Skydd; Schutz; Protègee	1	165404	
16	Nut Mutter; Mutter; Ecrou	4	127035-003	
17	Washer Bricka; Scheibe; Rondelle	2	29758	
18	Screw Skruv; Schraube; Vis	4	20938	
19	Cushion Dyna; Kissen; Coussin	1	143294	
20	Panel Panel; Paneel; Panneau	1	143292	
21	Screw Skruv; Schraube; Vis	2	29810	
22	Washer Bricka; Scheibe; Rondelle	2	20404	
23	Nut Mutter; Mutter; Ecrou	2	20016	
24	Carpet Matta; Teppisch; Tapis	1	161841	
25	Skidding protection Halkskydd; Rutschabdeckung; Dispositif antidérapant	1	143287	
26	Foot step Fotsteg; Fusstritt; Marchepied	1	141917	
27	Screw Skruv; Schraube; Vis	2	20401	
29	Skidding protection Halkskydd; Rutschabdeckung; Dispositif antidérapant	1	143286	
30	Panel Panel; Paneel; Panneau	1	144377-002	
31	Screw Skruv; Schraube; Vis	1	20938	
32	Washer Bricka; Scheibe; Rondelle	1	29758	
33	Nut Mutter; Mutter; Ecrou	1	127035-003	
34	Panel Panel; Paneel; Panneau	1	162563	
36	Frame Ram; Rahmen; Cadre	2	133416	
37	Cap Lock; Deckel; Couvercle	2	132577	
38	Screw Skruv; Schraube; Vis	2	29810	
39	Nut Mutter; Mutter; Ecrou	2	28930	
44	Bracket Fäste; Halterung; Support	1	165403	
45	List List; Leiste; Bande	1	147736	

0850-176 Signs, warnings, decals

[2002-02-12]

Skyltar, varningar, dekaler; Schilder, Warnzeichen, Aufkleber; Vignettes, avertissements, autocollants

Pos	Description	Pcs	Part No	Note
			691 7FBRE 14 692 7FBRE 14C	435653 - 435653 -
12	Sign(12) Skylt; Schild; Vignette	2	169528	
13	Sign(14) Skylt; Schild; Vignette	2	169529	
14	Sign Skylt; Schild; Vignette	1	121787-002	
15	Sign Skylt; Schild; Vignette	1	121786-002	
16	Sign Skylt; Schild; Vignette	4	168719	
17	Sign Skylt; Schild; Vignette	2	147316	
18	Sign Skylt; Schild; Vignette	1	156687	
19	Sign Skylt; Schild; Vignette	2	121786-002	
20	Sign Skylt; Schild; Vignette	1	201001	
21	Decal Dekal; Abziehbilder; Enseigne	2	168213	
22	Sign Skylt; Schild; Vignette	1	72082	
23	Sign Skylt; Schild; Vignette	1	145422	
24	Sign Skylt; Schild; Vignette	1	145423	Sideshift
25	Sign Skylt; Schild; Vignette	1	165610	Fork positioner Gaffelspridning; Zinkenverstell, gabel; Fourche, régler latéral
26	Sign Skylt; Schild; Vignette	1	156698	Cold stores Fryshus; Gefrieranlage; Chambre frigorifique

4310-026 Electric steering wheel/lever

[2002-02-12]

Elektr. ratt/-spakstyrning; Elektro-lenkrad/-hebellenkung; Timon, volant, levier de direction

Pos	Description	Pcs	Part No	Note
			691 7FBRE 14 692 7FBRE 14C	435653 - 435653 -
11	Panel Panel; Paneel; Panneau	1	143228	
12	Panel Panel; Paneel; Panneau	1	143229	
13	Screw Skruv; Schraube; Vis	1	28334	
14	Washer Bricka; Scheibe; Rondelle	1	21394	
15	Nut Mutter; Mutter; Ecrou	1	20096	
16	Washer Bricka; Scheibe; Rondelle	1	135459	
17	Nut Mutter; Mutter; Ecrou	1	20016	
18	Washer Bricka; Scheibe; Rondelle	1	20404	
19	Spinner Spinnare; Lenkfleier; Poignée volant	1	141840	
20	Steering wheel Ratt; Lenkrad; Volant	1	200637	D = 200 mm
21	Locking ring Spårring; Schliessring; Circlip	1	20009	
22	O-ring O-ring; O-ring; Joint torique	1	20620	
23	Ball bearing Kullager; Kugellager; Roulement a billes	1	28300	
23	Ball bearing Kullager; Kugellager; Roulement a billes	1	29878	Cold stores Fryshus; Gefrieranlage; Chambre frigorifique
24	Bearing bracket Lagerhållare; Lagerhalten; Support de roulement	1	135461	
25	Locking ring Spårring; Schliessring; Circlip	1	20008	
26	Screw Skruv; Schraube; Vis	4	29815	
27	Motor Motor; Motor; Moteur	1	179738	
28	Screw Skruv; Schraube; Vis	1	29679	
29	Washer Bricka; Scheibe; Rondelle	1	20404	
30	Lever Spak; Hebel; Levier	1	142422-008	
31	Consol Konsol; Konsole; Console	1	147319	
32	Arm Arm; Arm; Bras	1	142410	
33	Lever Spak; Hebel; Levier	1	140808-002	
34	Bracket Fäste; Halterung; Support	1	143221	
35	Bush Bussning; Bague; Bague	2	138886	
36	Locking ring Spårring; Schliessring; Circlip	1	20041	
37	Gas suspension Gasfjäder; Gasfederung; Suspension à gaz	1	143224	
38	Locking pin Spännstift; Spannstift; Goupille	2	28825	
39	Wire(S = 529 mm) Wire; Drahtseil; Filament	1	143488-002	

CLICK HERE TO **DOWNLOAD** THE COMPLETE MANUAL

- Thank you very much for reading the preview of the manual.
- You can download the complete manual from: www.heydownloads.com by clicking the link below

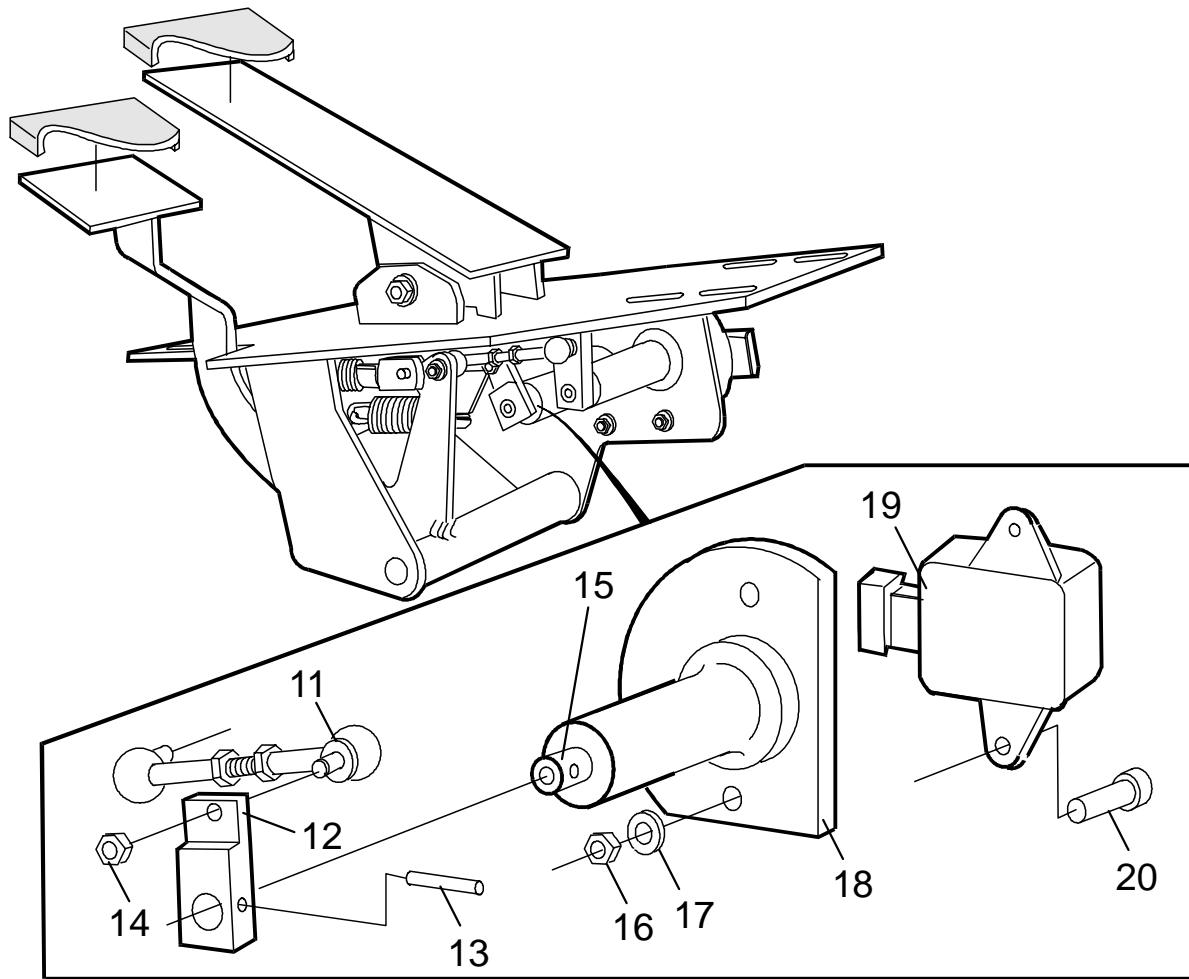


- Please note: If there is no response to CLICKING the link, please download this PDF first and then click on it.

CLICK HERE TO **DOWNLOAD** THE COMPLETE MANUAL

5330-021

P0007232



5330-021 Speed control

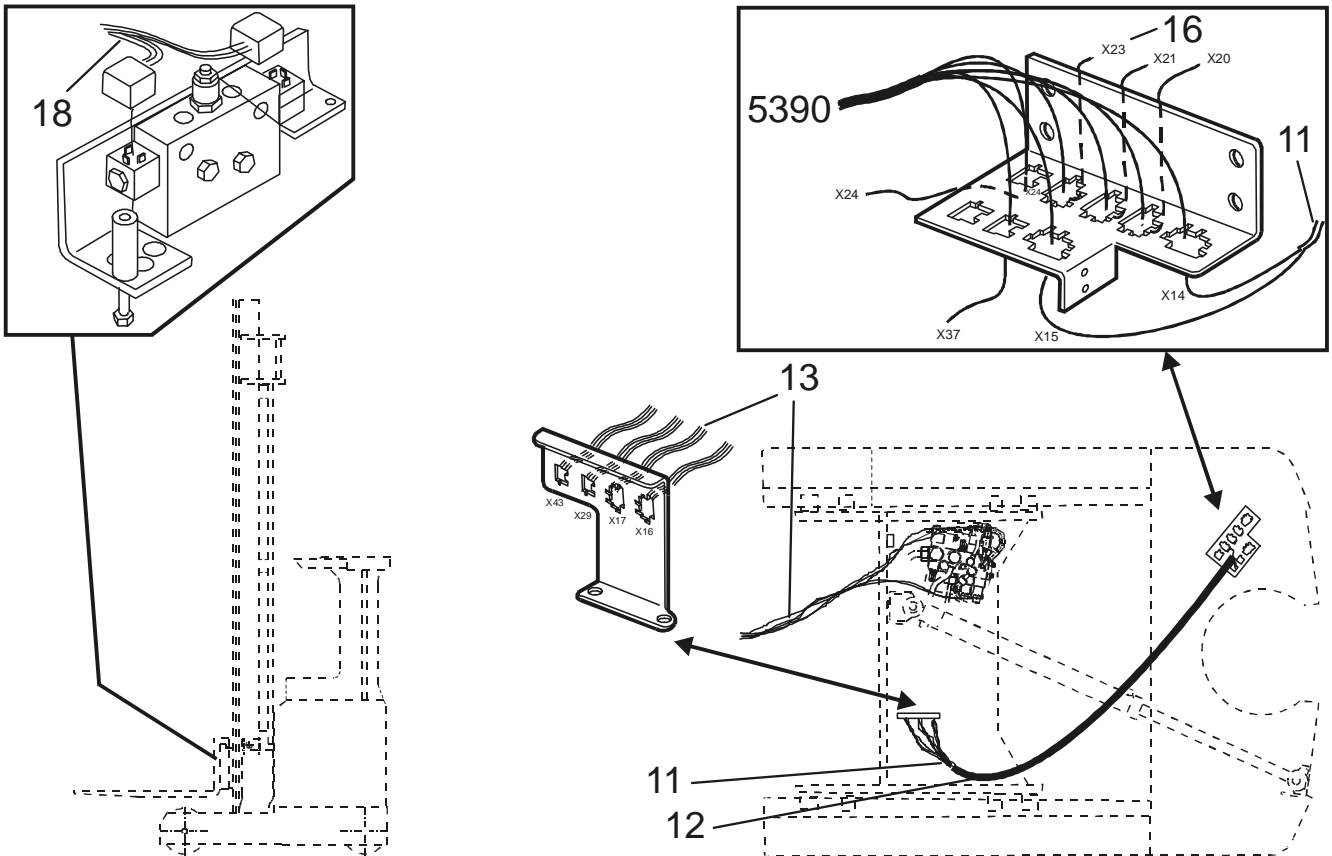
Fartreglering; Geschwindigkeitsreglung; Régulation de vitesse

[2002-02-12]

Pos	Description	Pcs	Part No	Note
11	Link Länk; Gelenk; Bras	1	185698	
12	Arm Arm; Arm; Bras	1	185728	
13	Locking pin Spännstift; Spannstift; Goupille	1	20049	
14	Nut Mutter; Mutter; Ecrou	1	21094	
15	Axle Axel; Achse; Axe	1	185723	
16	Nut Mutter; Mutter; Ecrou	2	25699	
17	Washer Bricka; Scheibe; Rondelle	4	21035	
18	Support Stöd; Stütze; Appui	1	185925	
19	Potentiometer Potentiometer; Potentiometer; Potentiometre	1	156276	
20	Screw Skruv; Schraube; Vis	2	27872	

5590-045

P0015690

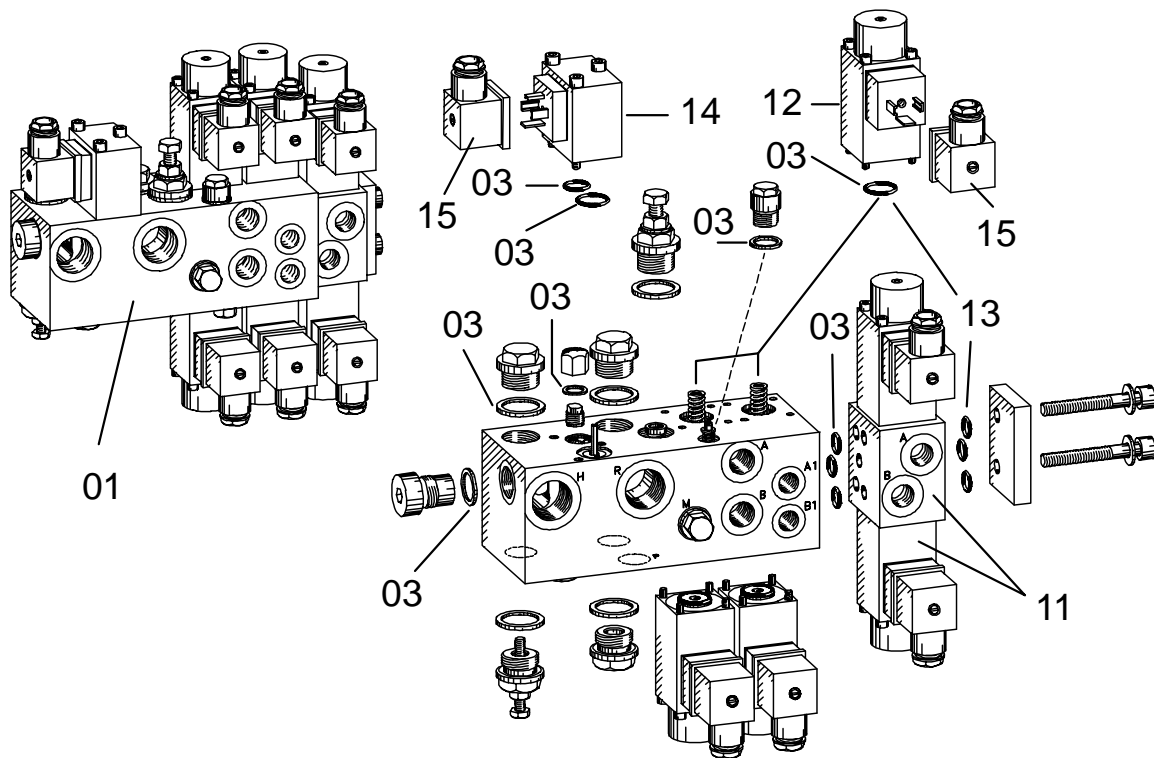


5590-045 Work function harnesses/ fuse

[2002-02-12]

Arbeitsfunktionskablage/ -säkring; Steuerstromverkabelung/ -Sicherung; Câblage/ fusible fonction de travail

Pos	Description	Pcs	Part No	Note
			691 7FBRE 14 692 7FBRE 14C	435653 - 435653 -
11	Wiring harness Kablage; Kabelsatz; Câblage	1	150909	
11	Wiring harness Kablage; Kabelsatz; Câblage	1	158879	Cold stores Fryshus; Gefrieranlage; Chambre frigorifique
12	Hose Slang; Schlauch; Tuyau flexible	3	145351-016	Meter Meter; Meter; Metre
13	Wiring harness Kablage; Kabelsatz; Câblage	1	160254	Main valve Huvudventil; Hauptventile; Soupape principal
18	Wiring harness Kablage; Kabelsatz; Câblage	1	152685	Sideshift



6210-017 Main valve unit lift/reach/tilt

[2002-02-12]

Huvudventil lyft/utskjut./tilt; Hauptventil Hub/Schub/Neigung; Soupape principale levage/rétraction/inclinaison

Pos	Description	Pcs	Part No	Note
01	Valve unit(Complete) Ventilblock(Komplett); Ventileinheit(Komplett); Soupape unit(Comple)	1	153002	
03	Packing set Packningssats; Packungssatz; Jeux d' étanchéité.	1	147017	
11	Valve(Complete) Ventil(Komplett); Ventil(Komplett); Soupape(Comple)	1	146963	
12	Magnet Magnet; Magnet; Magnétique	6	146964	
13	Packing set Packningssats; Packungssatz; Jeux d' étanchéité.	1	146965	
14	Magnet Magnet; Magnet; Magnétique	1	147016	
15	Connector Handske; Stecker; Bloc de connexion	7	24089	

6320-133 Mast hydraulic lines

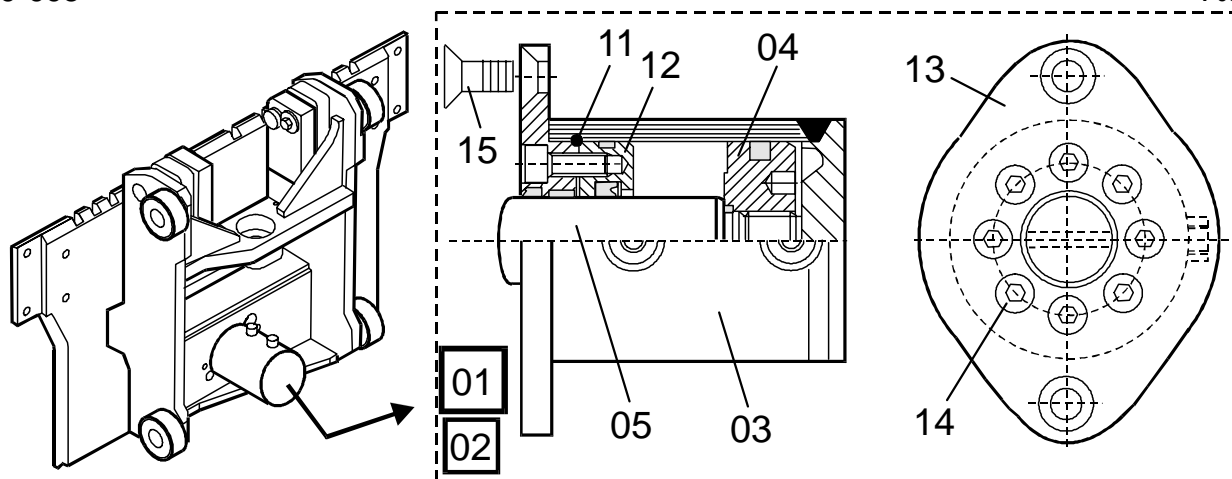
[2002-02-12]

Stativhydraulledningar; Hydraulikleitungen Hubeinrichtung; Circuits hydrauliques mât

Pos	Description	Pcs	Part No	Note
			691 7FBRE 14 692 7FBRE 14C	435653 - 435653 -
23	Protection Skydd; Schutz; Protègee	2	155739	
24	Roller(Complete) Rulle(Komplett); Rolle(Komplett); Roleau(Complet)	3	182232	
25	Roller Rulle; Rolle; Roleau	3	182230	
26	Bush Bussning; Bague; Bague	3	126883-002	
27	Roller Rulle; Rolle; Roleau	3	182229	
28	Locking ring Spårring; Schliessring; Circlip	3	20011	
29	Washer Bricka; Scheibe; Rondelle	3	20013	
30	Locking ring Spårring; Schliessring; Circlip	3	20019	
31	Roller(Complete) Rulle(Komplett); Rolle(Komplett); Roleau(Complet)	1	182236	
32	Roller Rulle; Rolle; Roleau	1	182234	
33	Bush Bussning; Bague; Bague	1	126883-002	
34	Roller Rulle; Rolle; Roleau	1	182233	
35	Locking ring Spårring; Schliessring; Circlip	1	20011	
36	Bracket Fäste; Halterung; Support	1	151062	
37	Screw Skruv; Schraube; Vis	2	21935	
38	Washer Bricka; Scheibe; Rondelle	2	21275	
39	Axle Axel; Achse; Axe	1	31249	
40	Washer Bricka; Scheibe; Rondelle	4	47886	
41	Locking ring Spårring; Schliessring; Circlip	2	20019	

6660-003

P0009633



6660-003 Tilt cylinders

[2002-02-12]

Tiltcylinder; Neigezylinder; Vérin d'inclinaison

Without side shift; utan sidsiftaggregat; Ohne Seitenwechselgerät; Sans déplacement latéral			691 7FBRE 14 692 7FBRE 14C	435653 - 435653 -
Pos	Description	Pcs	Part No	Note
01	Tilting cylinder(Complete) Tiltcylinder(Komplett); Neigezylinder(Komplett); Verin de inclination(Complet)	1	155605	
02	Packing set Packningssats; Packungssatz; Jeux d'étanchéité.	1	154465	
03	Cylinder pipe Cylinderrör; Zylinderrohr; Tube de cylindre	1	154894	
04	Piston Kolv; Kolben; Piston	1	154893	
05	Piston rod Kolvstång; Kolbenstange; Tige de piston	1	157304	
11	Locking wire Låstråd; Schlossdraht; Cheville	1	154897	
12	Top guide Toppstyrning; Topsteuerung; Guide de sommet	1	154895	
13	Cap Lock; Deckel; Couvercle	1	154896	
14	Screw Skruv; Schraube; Vis	8	29939	
15	Screw Skruv; Schraube; Vis	2	20401	

Pos	Description	Pcs	Part No	Note
14	Screw Skruv; Schraube; Vis	2	20031	
15	Washer Bricka; Scheibe; Rondelle	2	55464	
16	Axle Axel; Achse; Axe	2	155609	
17	Screw Skruv; Schraube; Vis	2	20401	
18	Distance piece(30 x 42 x 0,1) Distans; Distanz; Distance		21881	
18	Distance piece(30 x 42 x 0,2) Distans; Distanz; Distance		21882	
18	Distance piece(30 x 42 x 0,3) Distans; Distanz; Distance		21883	
18	Distance piece(30 x 42 x 0,5) Distans; Distanz; Distance		21884	
18	Distance piece(30 x 42 x 1,0) Distans; Distanz; Distance		21885	
19	Roller(A = 78,2 mm, marked A) Rulle(A = 78,2 mm, märkt A); Rolle(A = 78,2 mm, marke A); Roleau(A = 78,2 mm, marqué A)	4	101423	
19	Roller(A = 78,6 mm, marked B) Rulle(A = 78,6 mm, märkt B); Rolle(A = 78,6 mm, marke B); Roleau(A = 78,6 mm, marqué B)	4	126011	
19	Roller(A = 78 mm, marked C) Rulle(A = 78 mm, märkt C); Rolle(A = 78 mm, marke C); Roleau(A = 78 mm, marqué C)	4	127698	
19	Roller(A = 78,4 mm, marked D) Rulle(A = 78,4 mm, märkt D); Rolle(A = 78,4 mm, marke D); Roleau(A = 78,4 mm, marqué D)	4	159713	

CLICK HERE TO **DOWNLOAD** THE COMPLETE MANUAL

- Thank you very much for reading the preview of the manual.
- You can download the complete manual from: www.heydownloads.com by clicking the link below



- Please note: If there is no response to CLICKING the link, please download this PDF first and then click on it.

CLICK HERE TO **DOWNLOAD** THE COMPLETE MANUAL