



STILL

ERSATZTEILLISTE

Spare Parts List
Catalogue de pièces détachées
Catalogo parti di ricambio
Catálogo de recambio

STILL
ELECTRONIC
DOCUMENTATION
SYSTEM

CL 10 Basic
CL 10
CL 12
CL 12 Li



4572

45728047800 - 01.2013

first in intralogistics

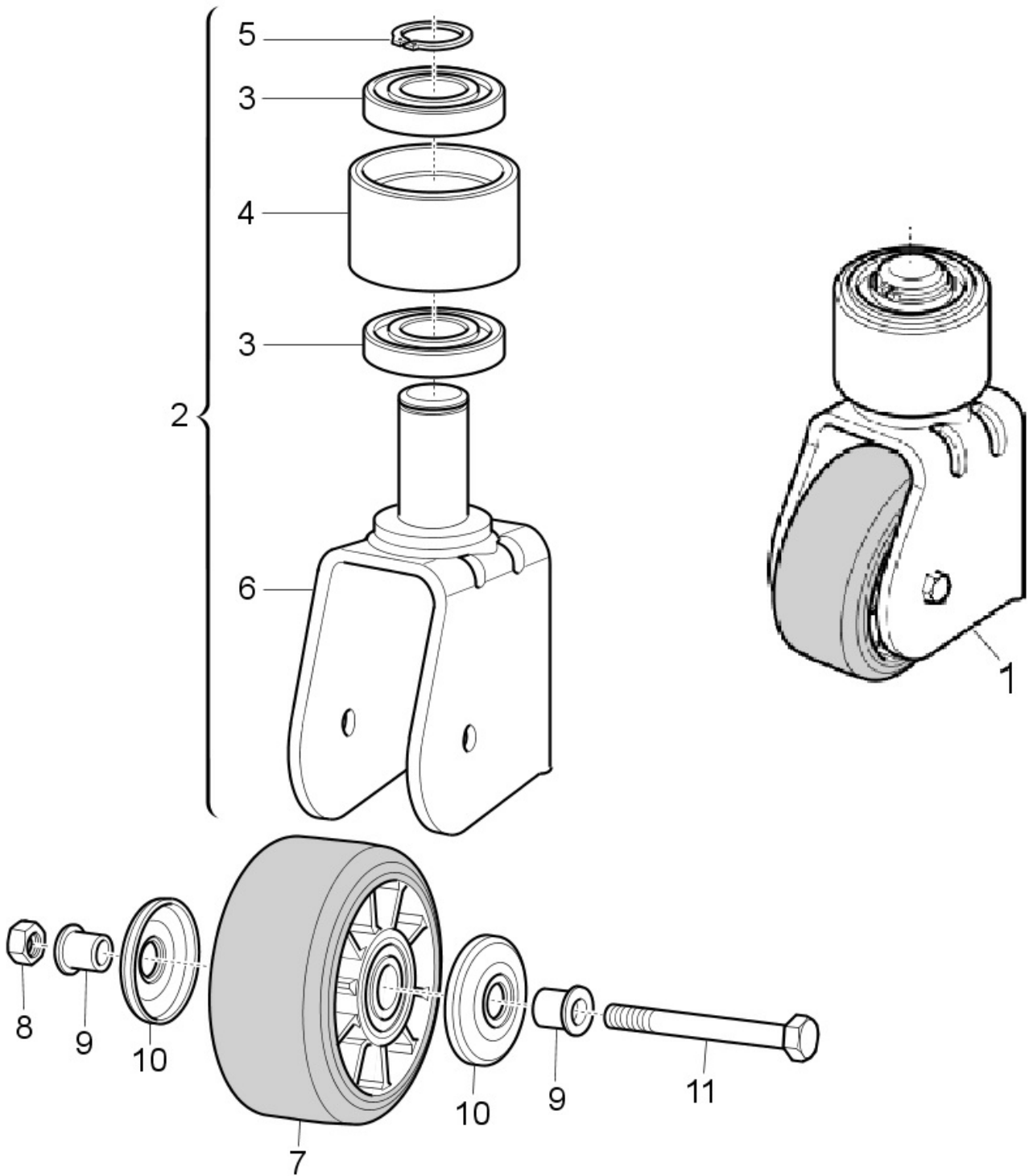
CLICK HERE TO **DOWNLOAD** THE COMPLETE MANUAL

- Thank you very much for reading the preview of the manual.
- You can download the complete manual from: www.heydownloads.com by clicking the link below

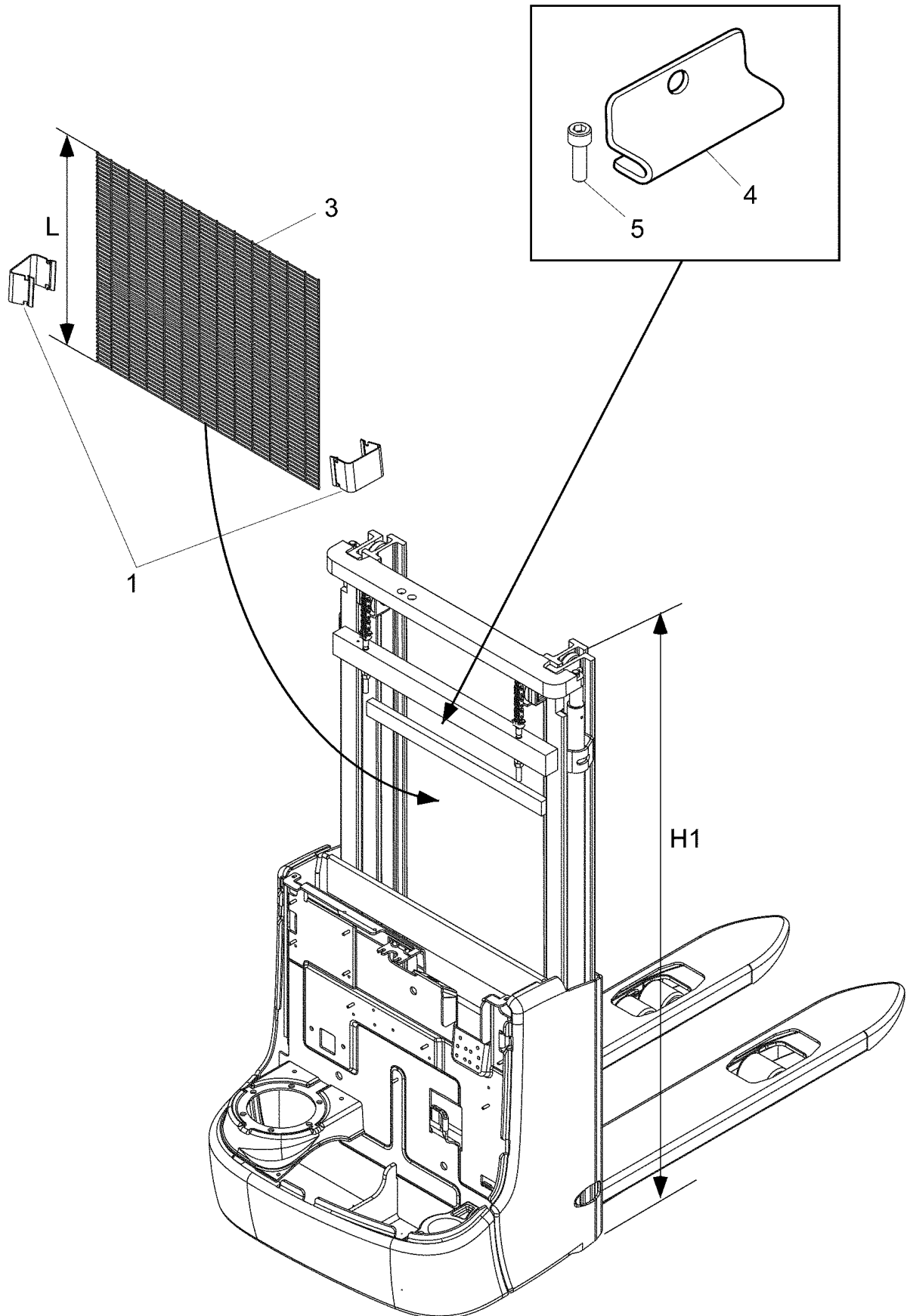


- Please note: If there is no response to CLICKING the link, please download this PDF first and then click on it.

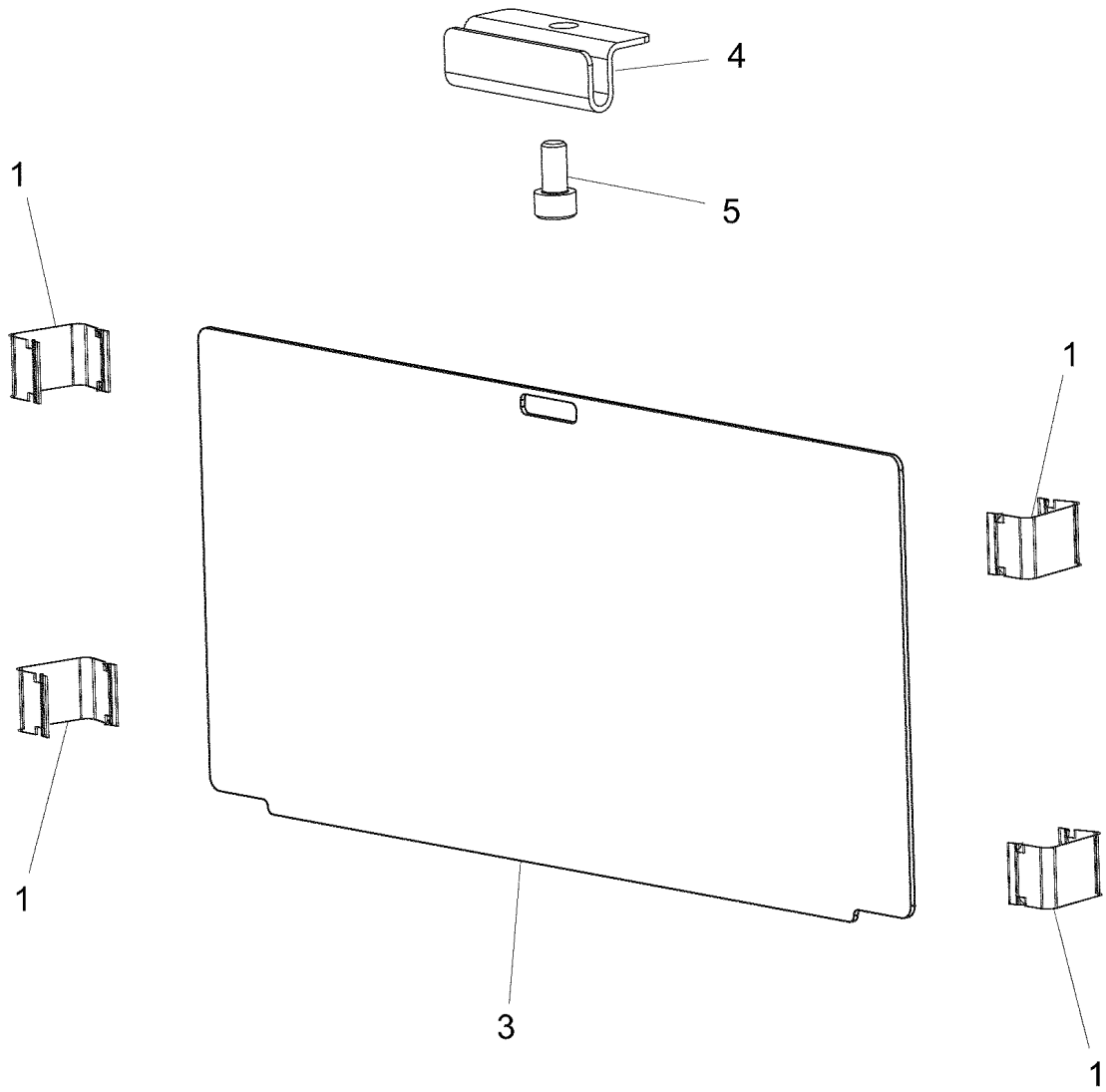
CLICK HERE TO **DOWNLOAD** THE COMPLETE MANUAL



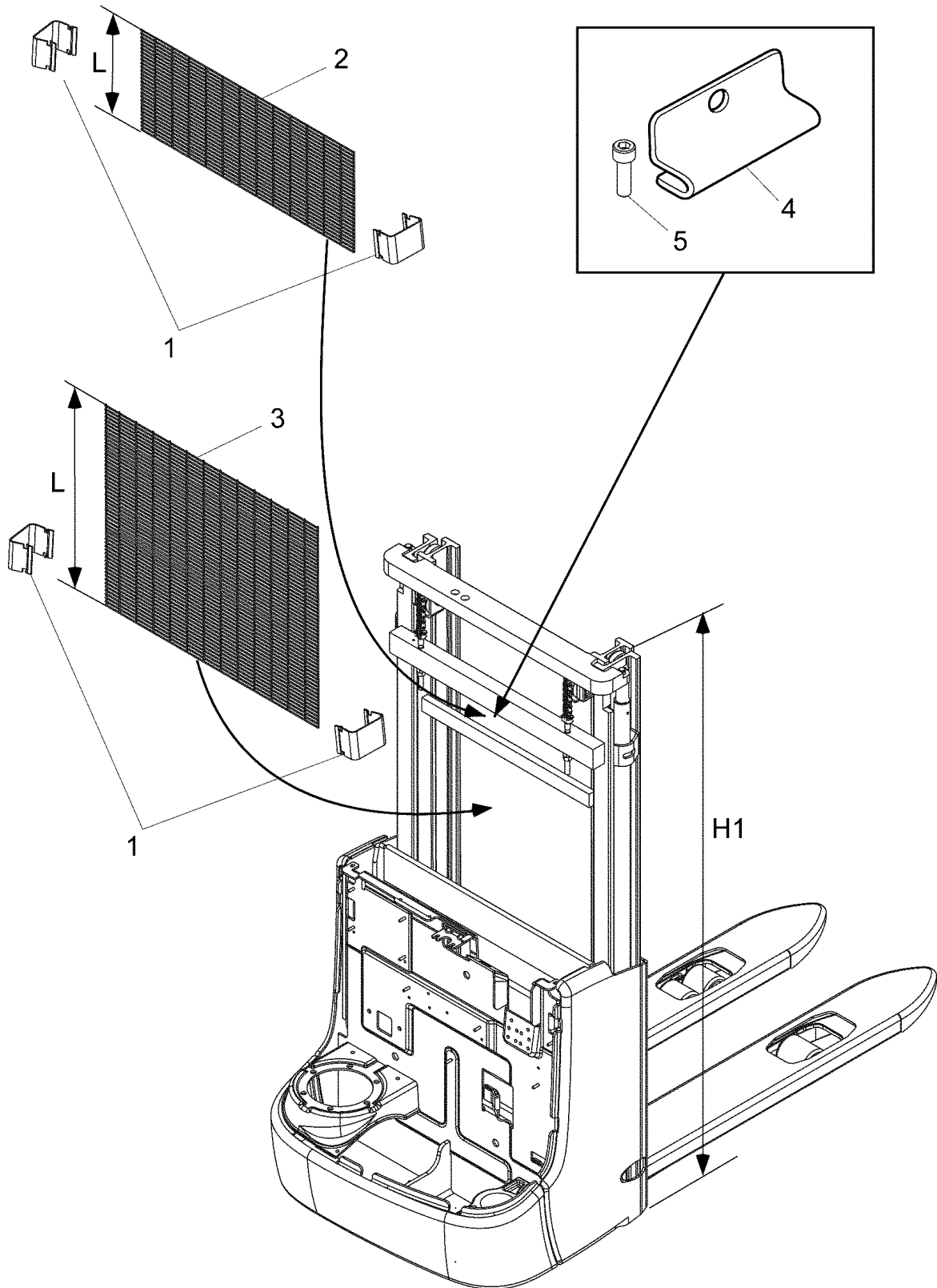
Dis.8034



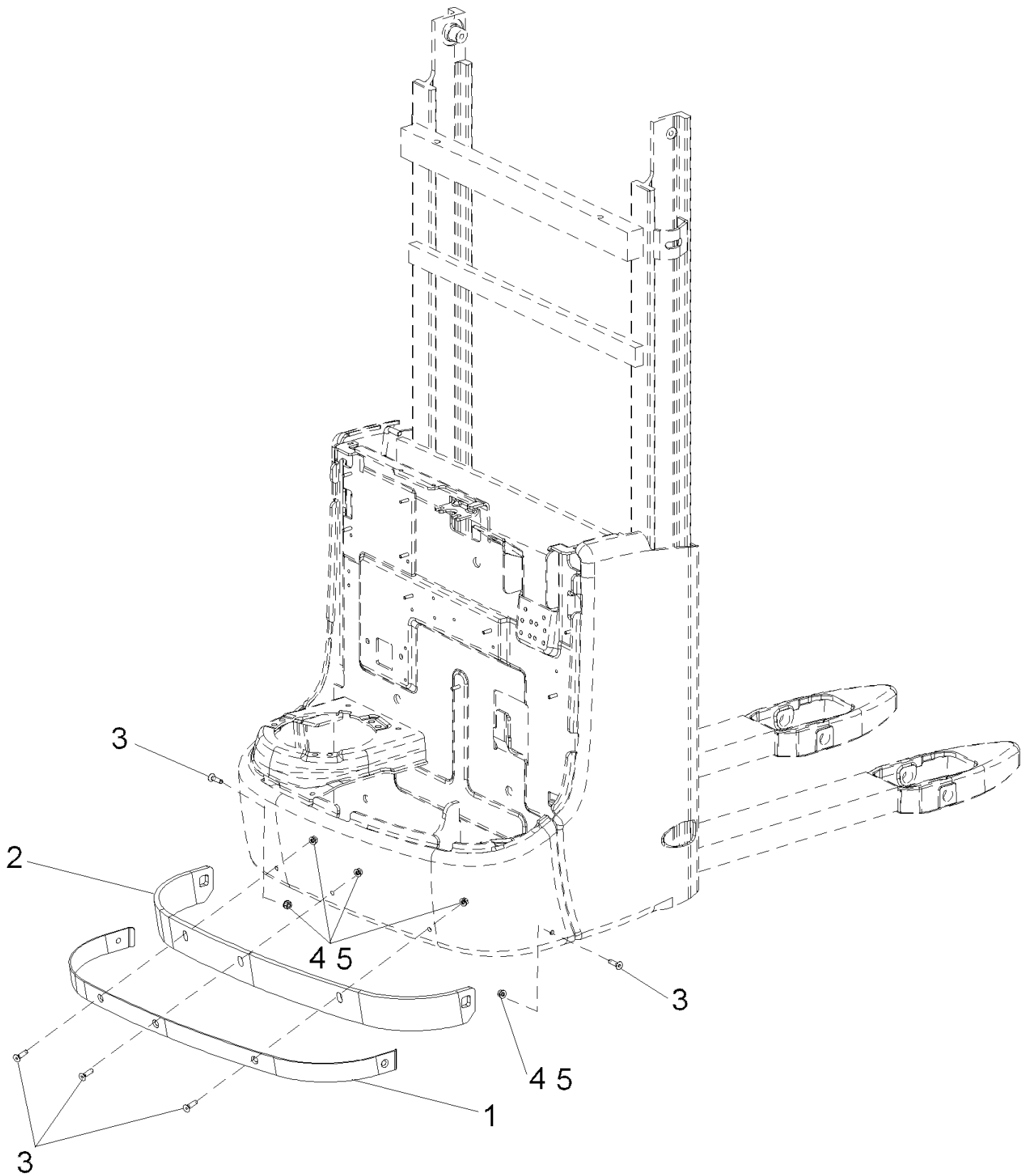
50024306403



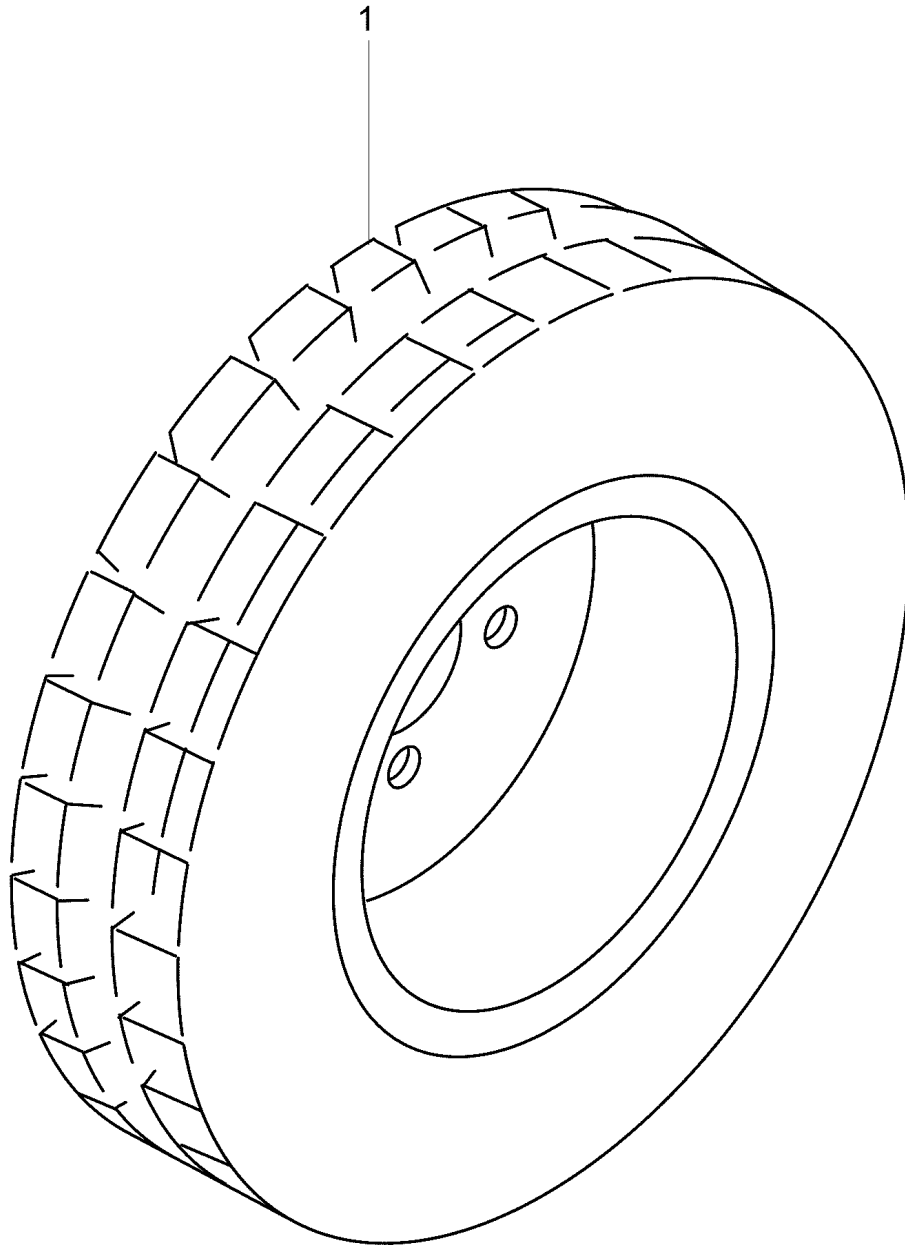
50024306419



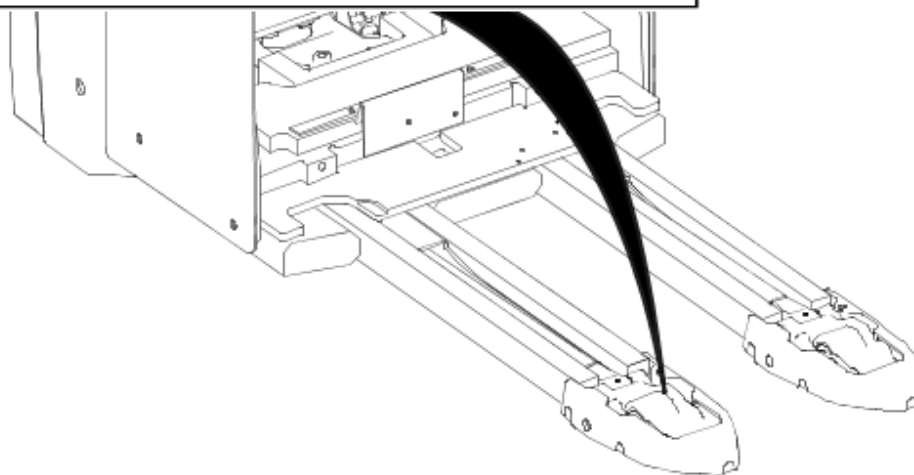
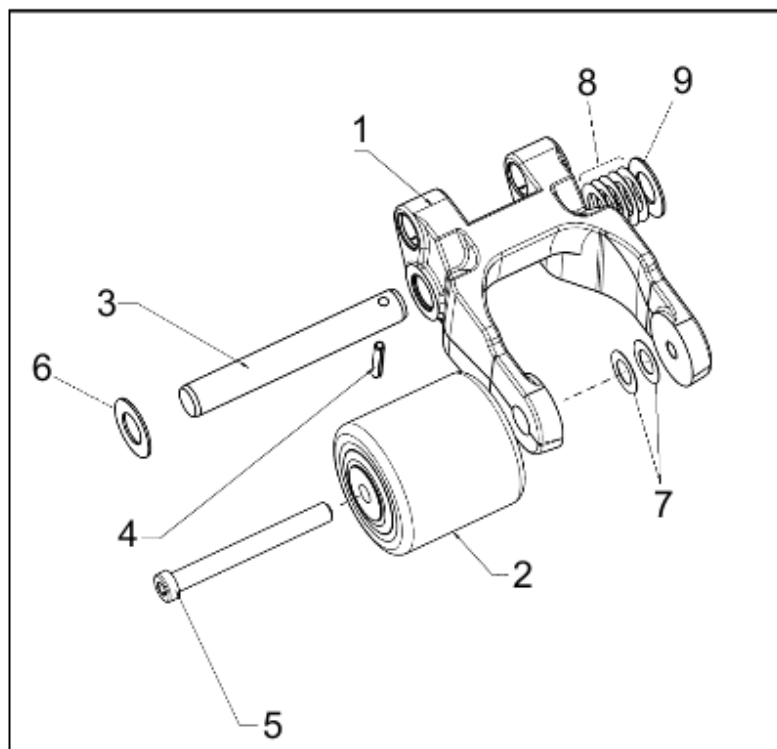
50024306408



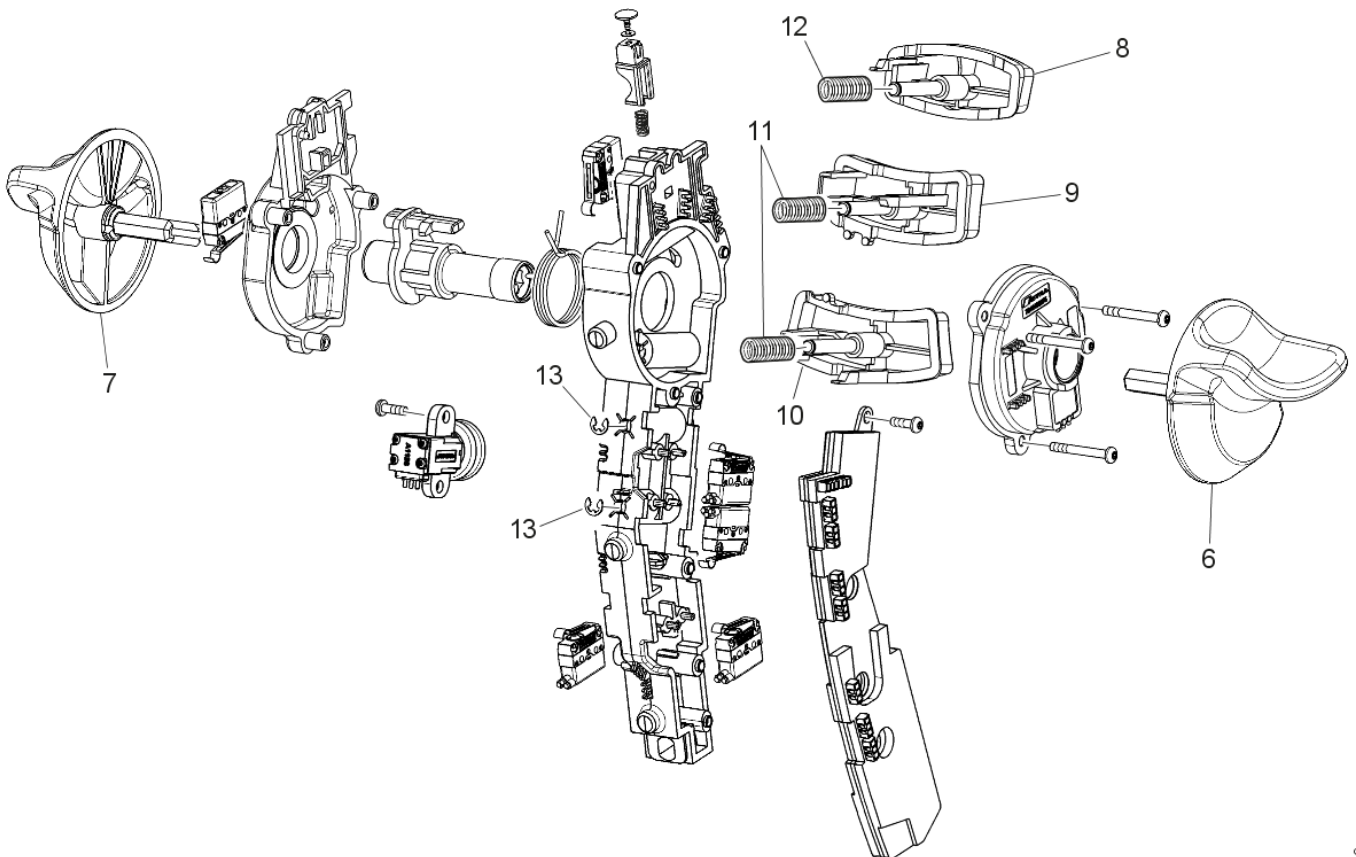
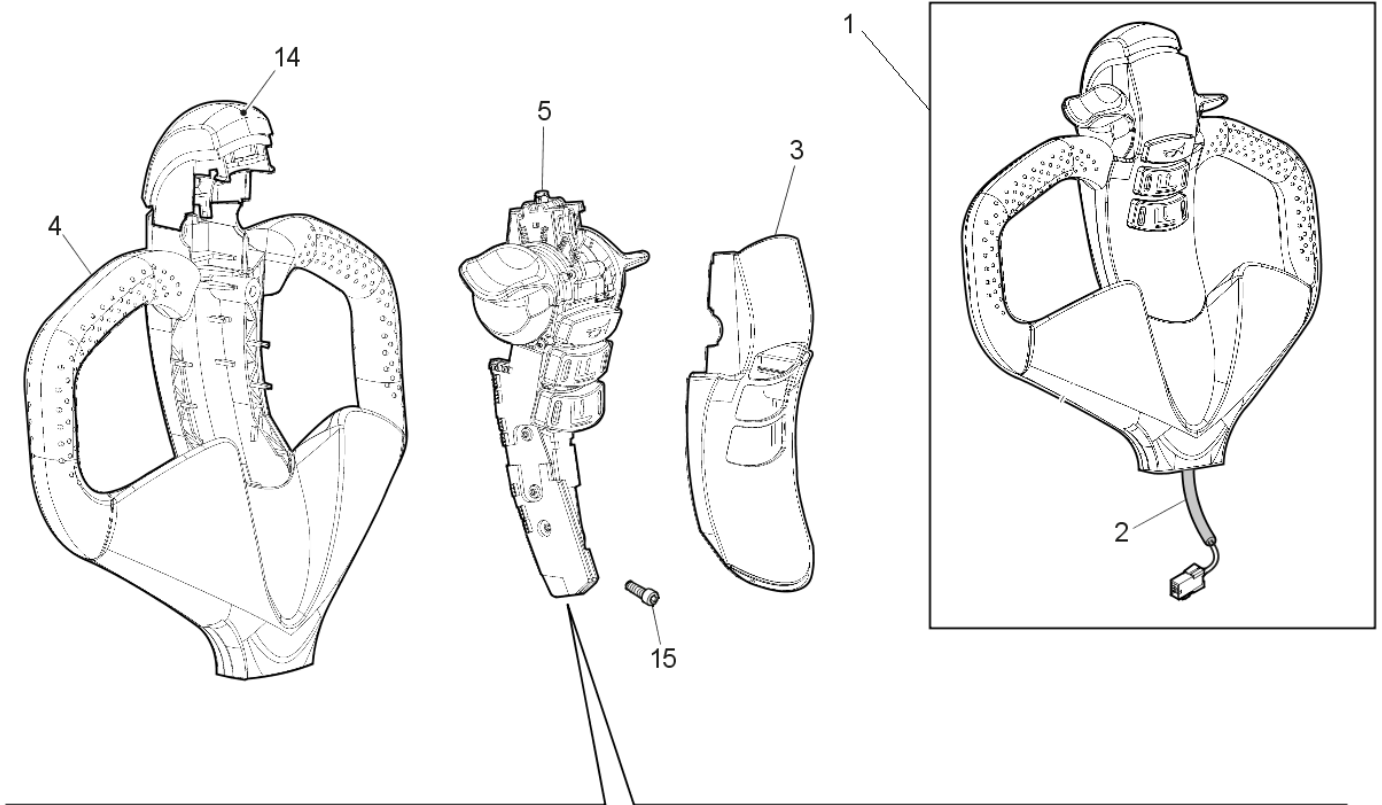
50024303621

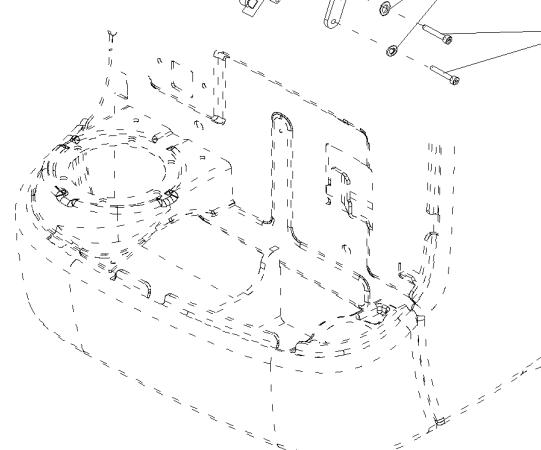
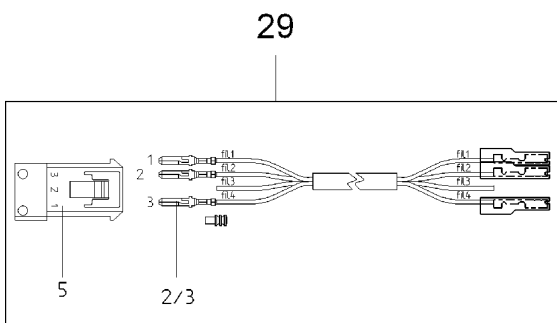
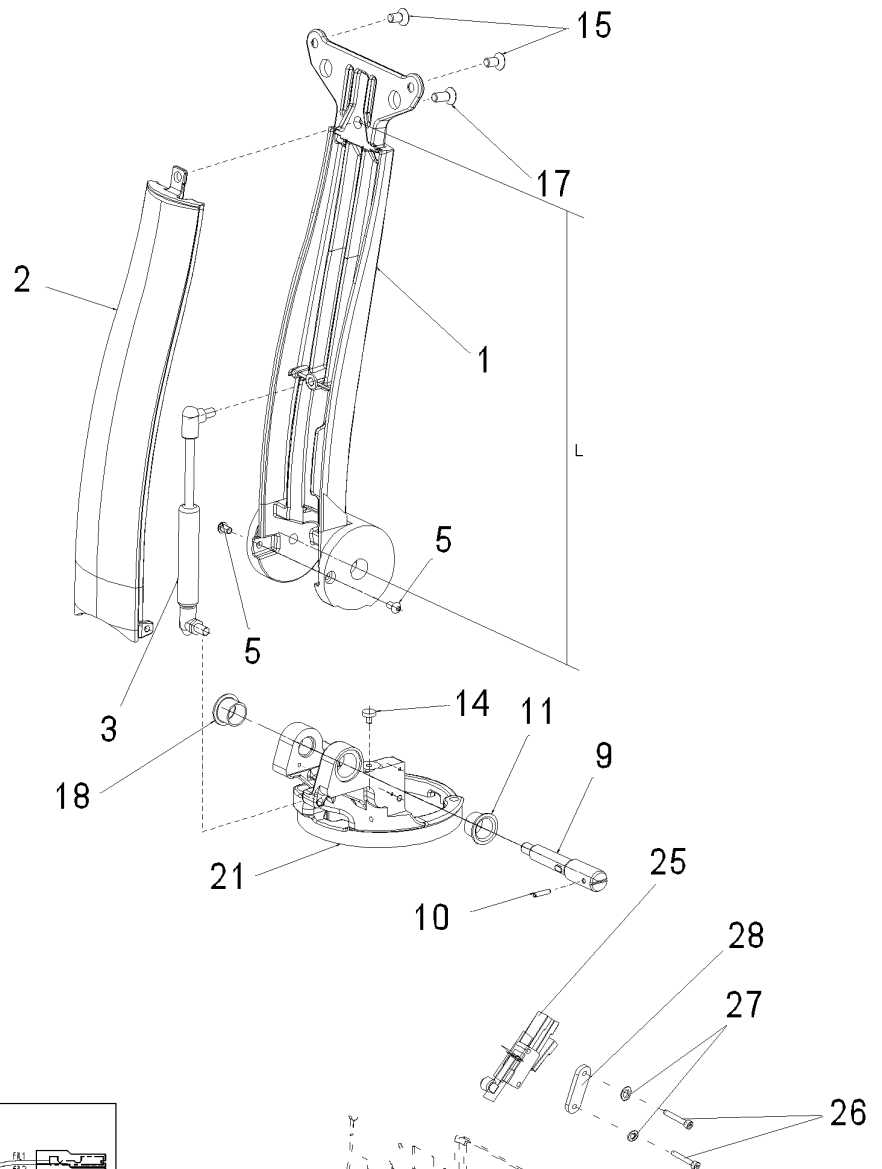
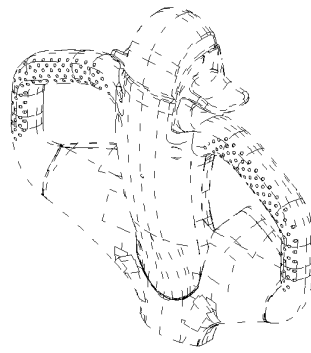


50014505506

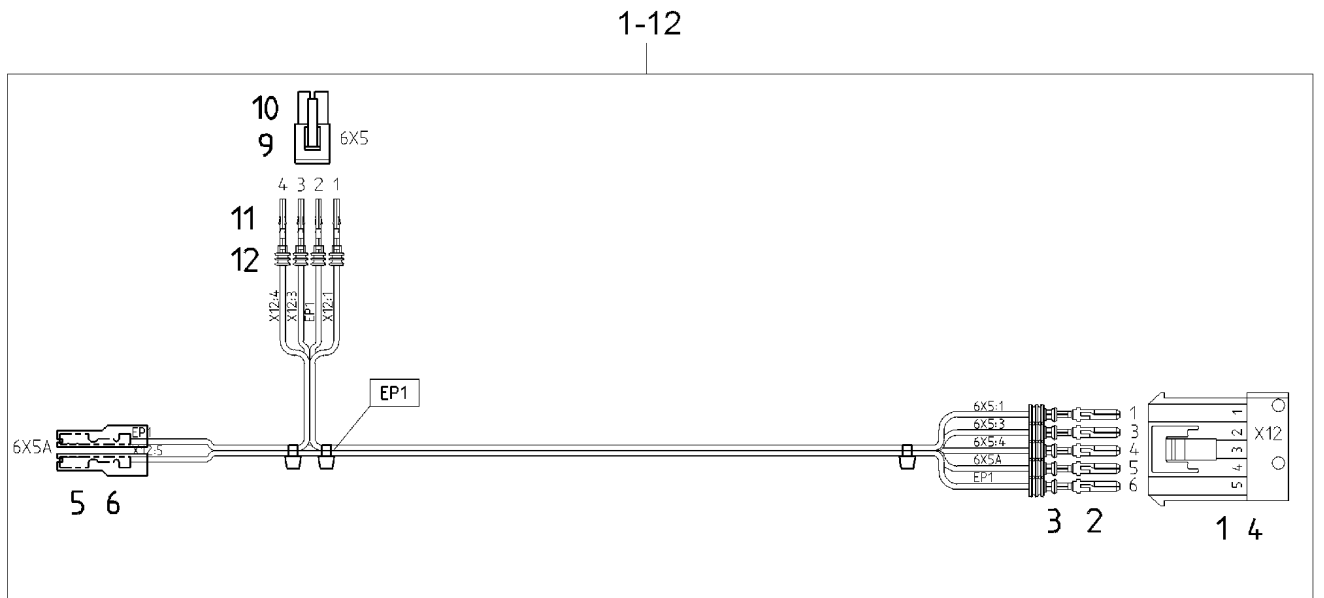


Dis.8083

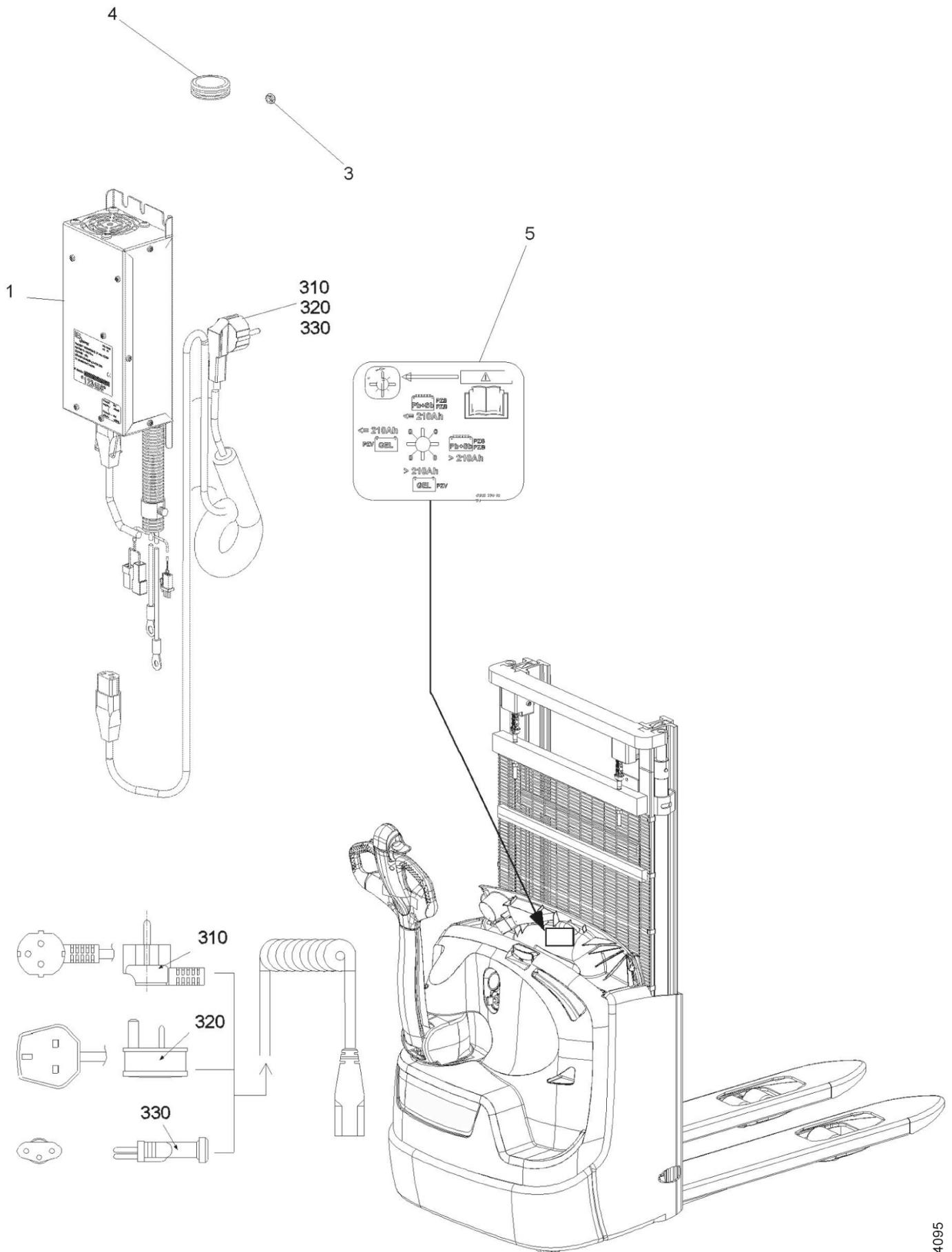




50025405902



50023810332



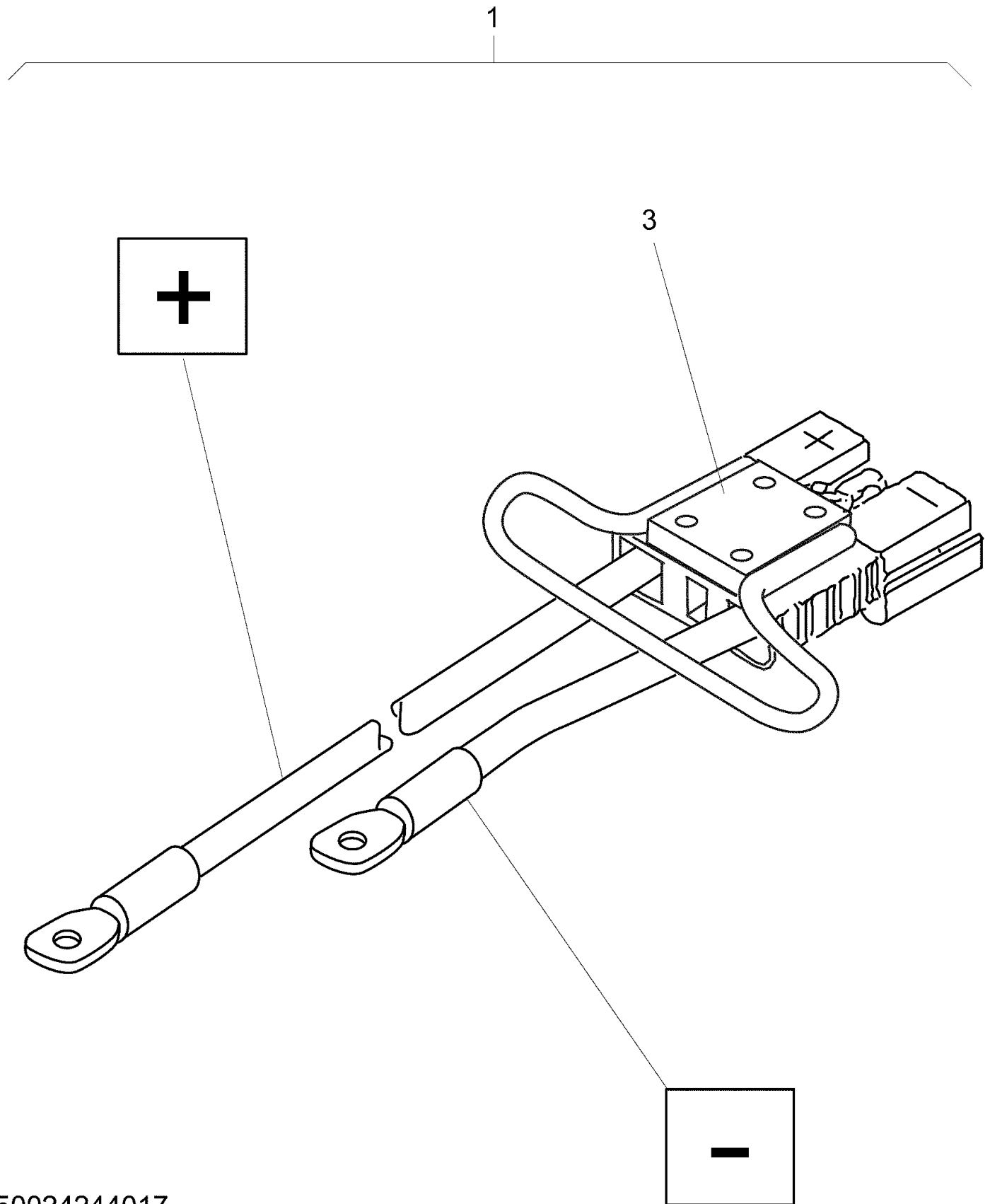
CLICK HERE TO **DOWNLOAD** THE COMPLETE MANUAL

- Thank you very much for reading the preview of the manual.
- You can download the complete manual from: www.heydownloads.com by clicking the link below

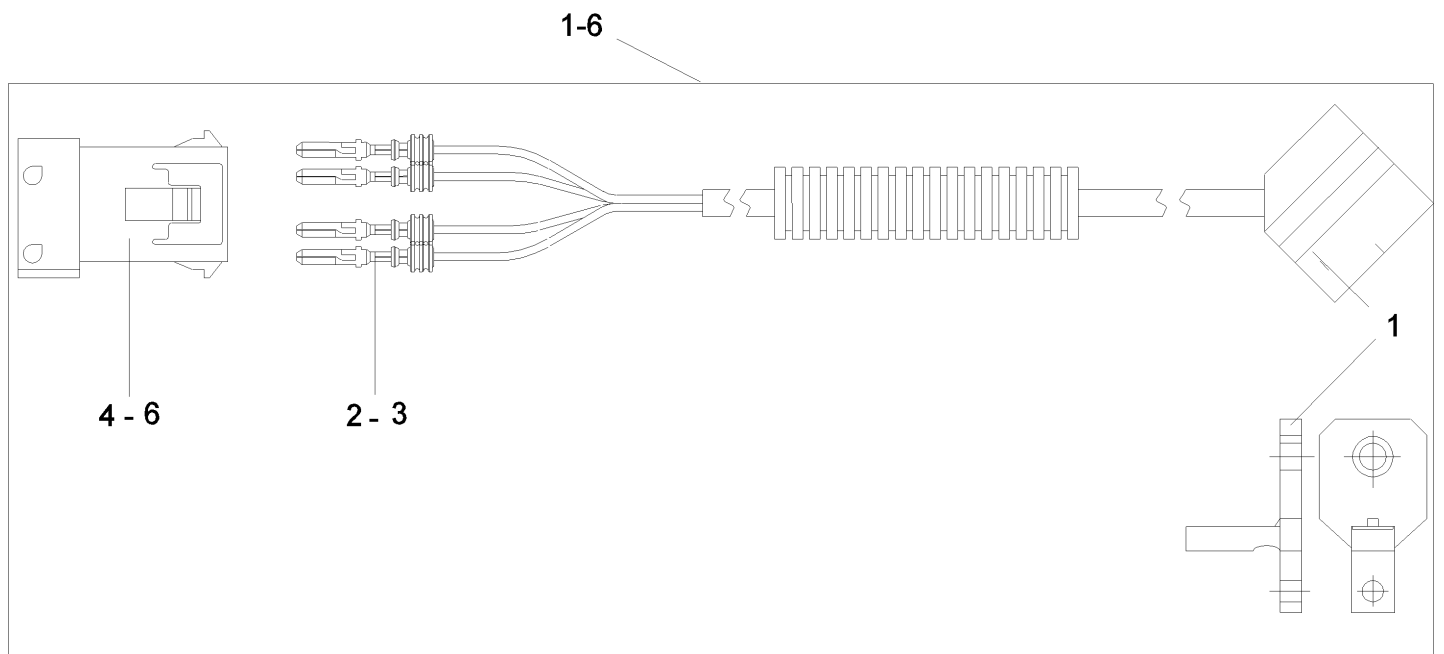


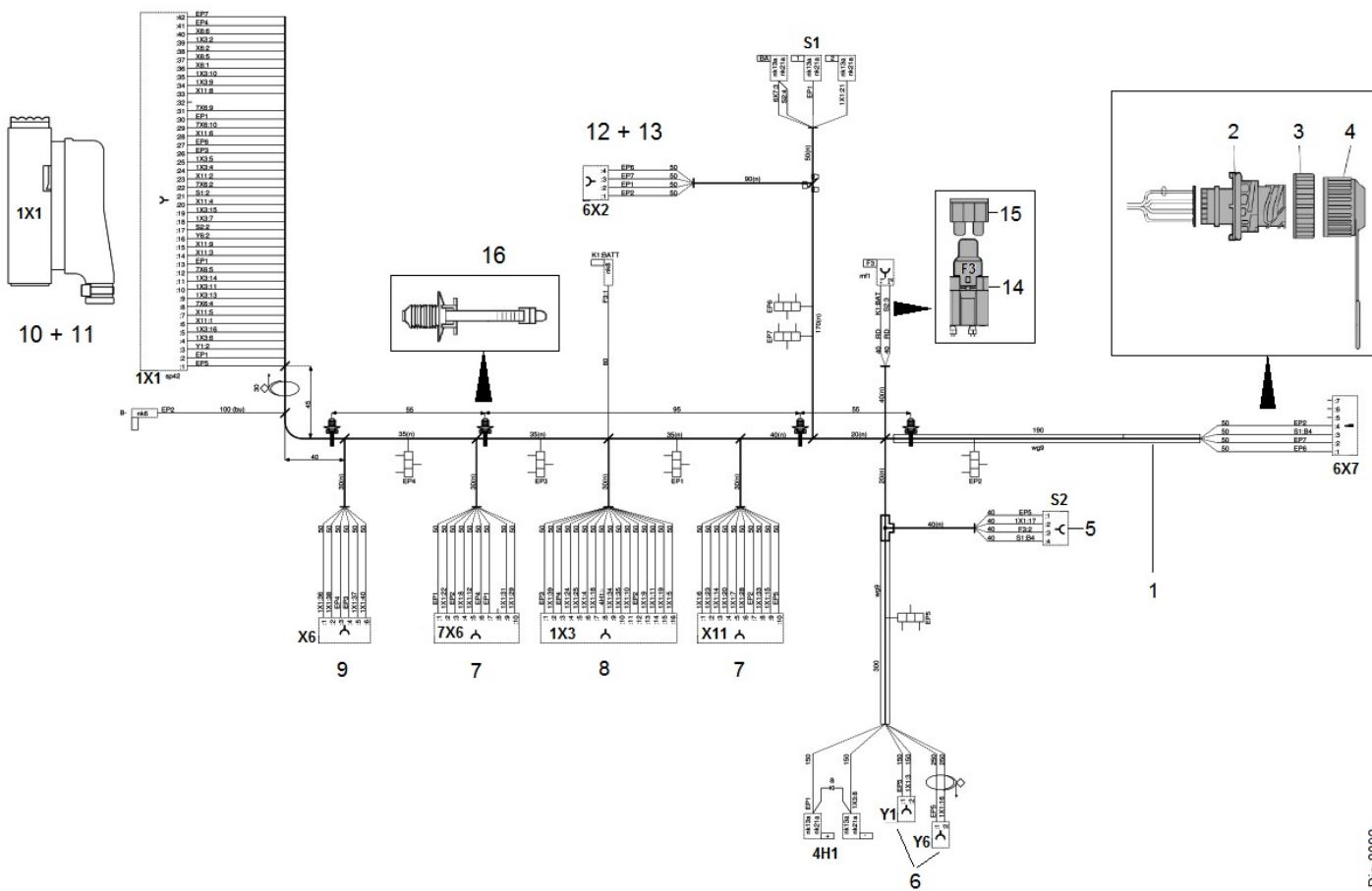
- Please note: If there is no response to CLICKING the link, please download this PDF first and then click on it.

CLICK HERE TO **DOWNLOAD** THE COMPLETE MANUAL

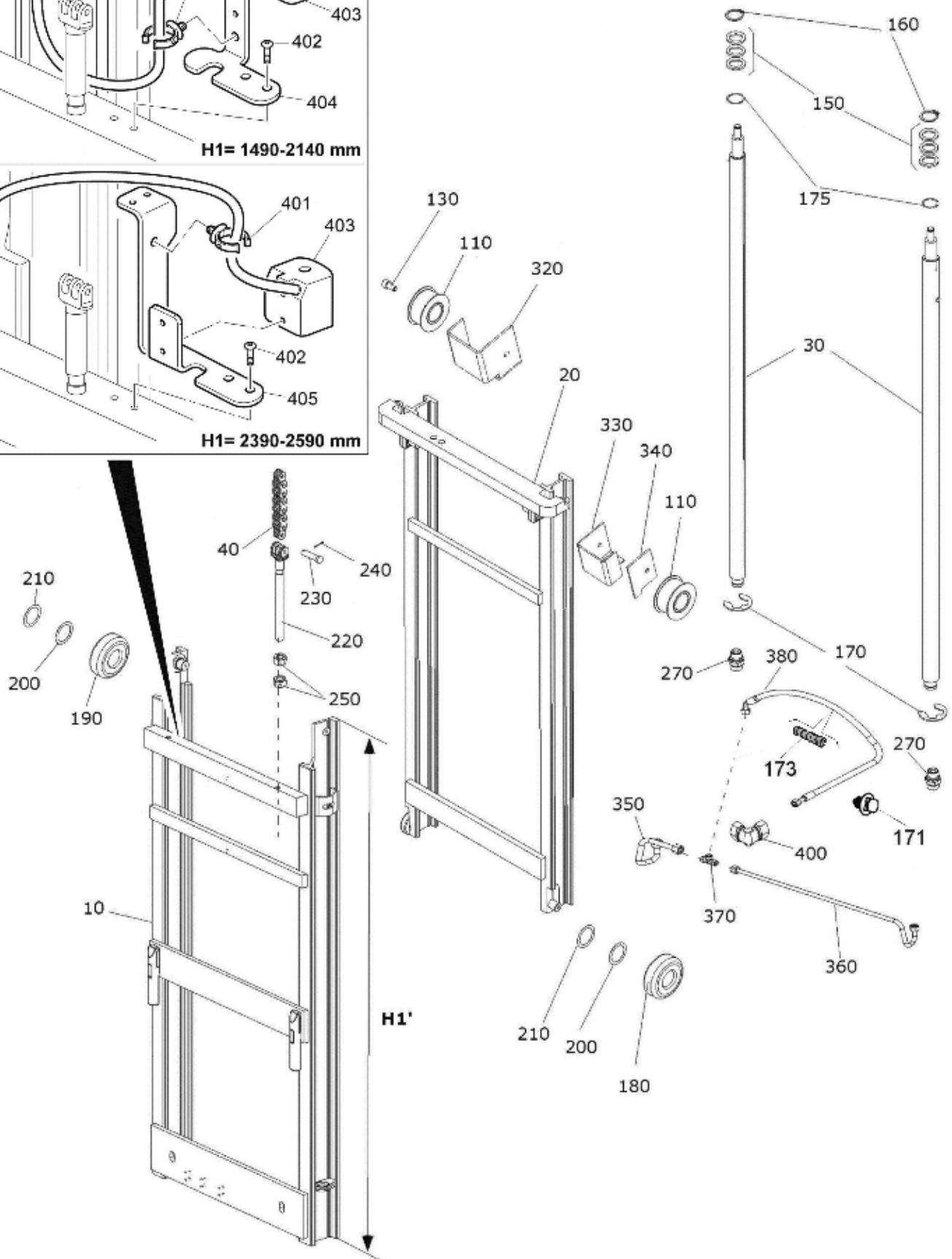
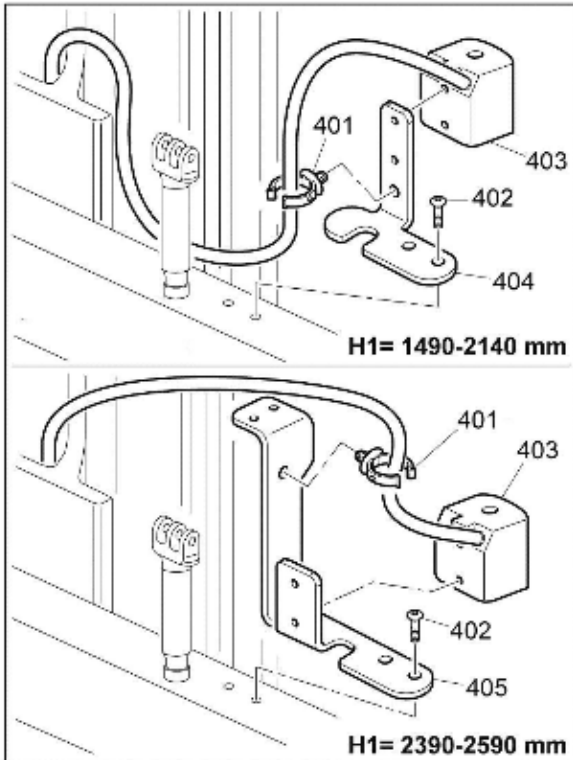


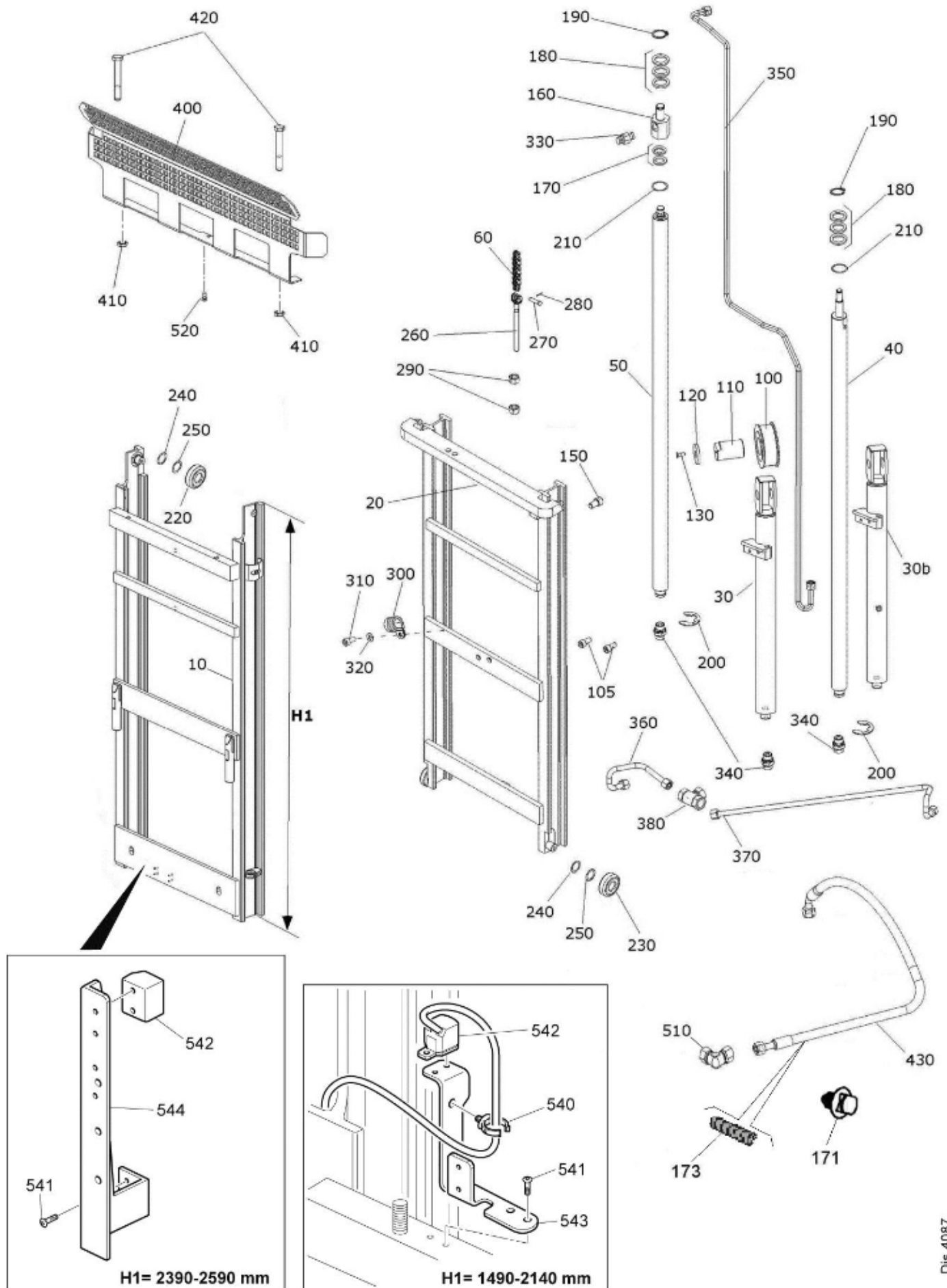
50024244017



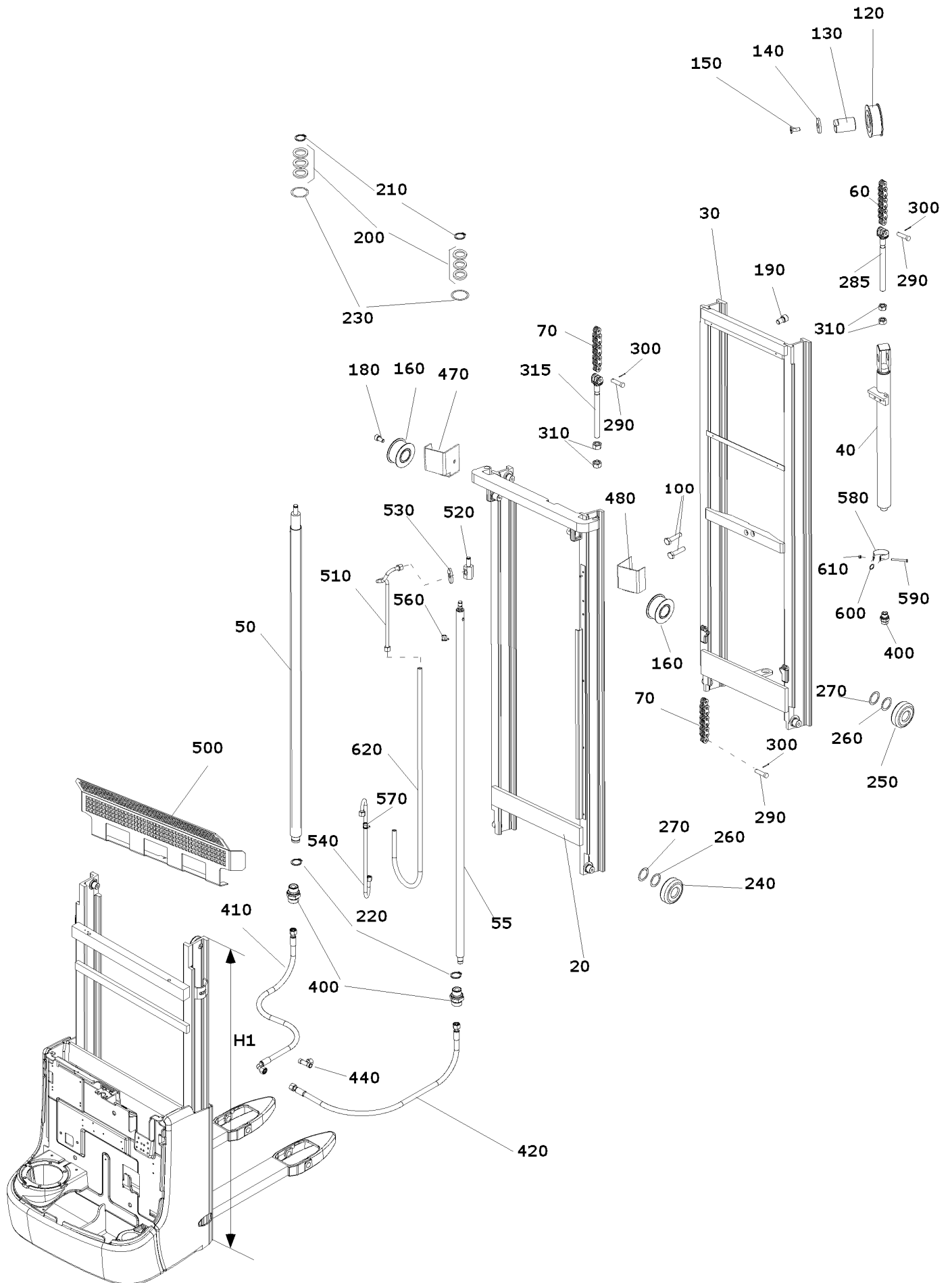


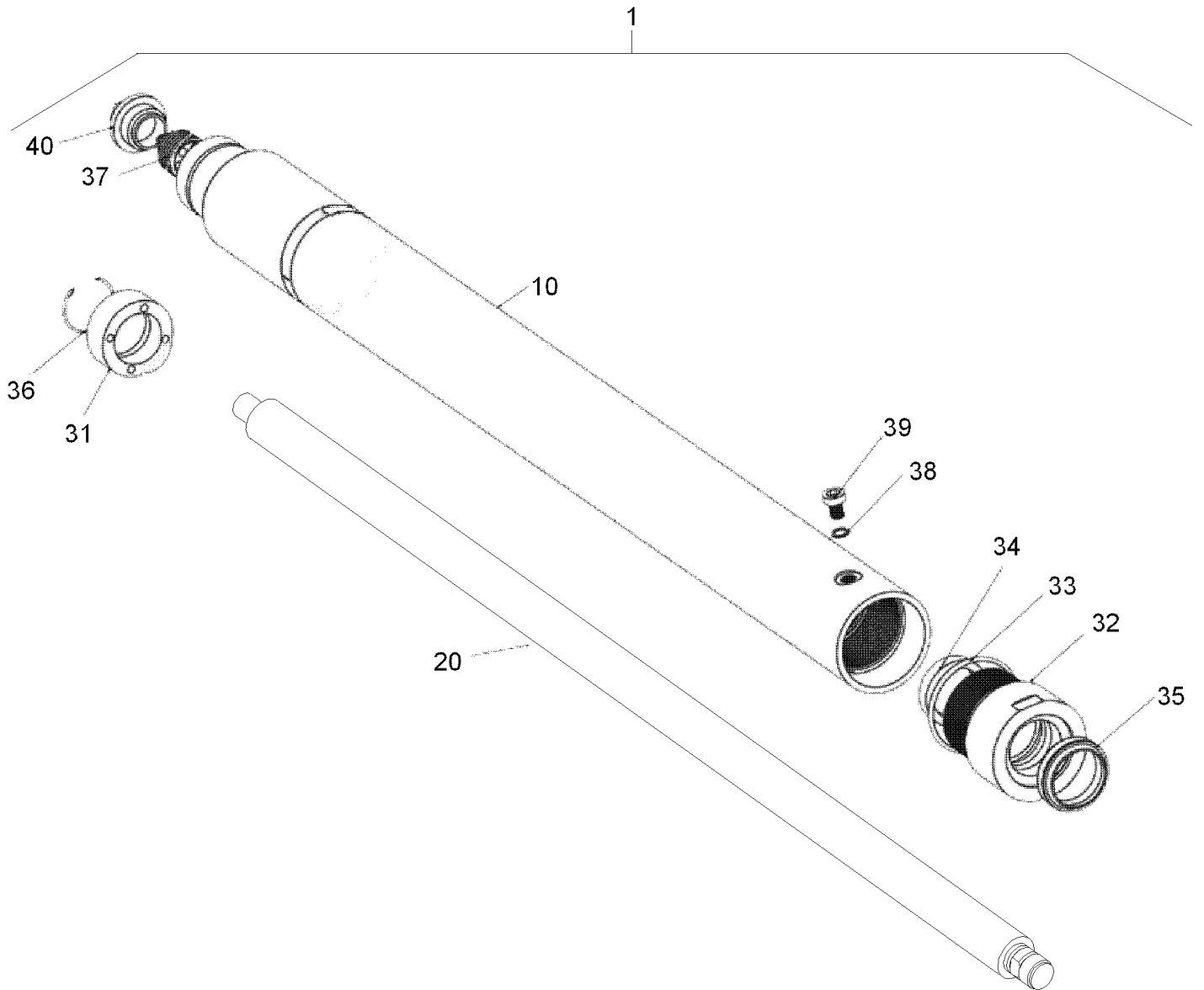
Dis. 8092



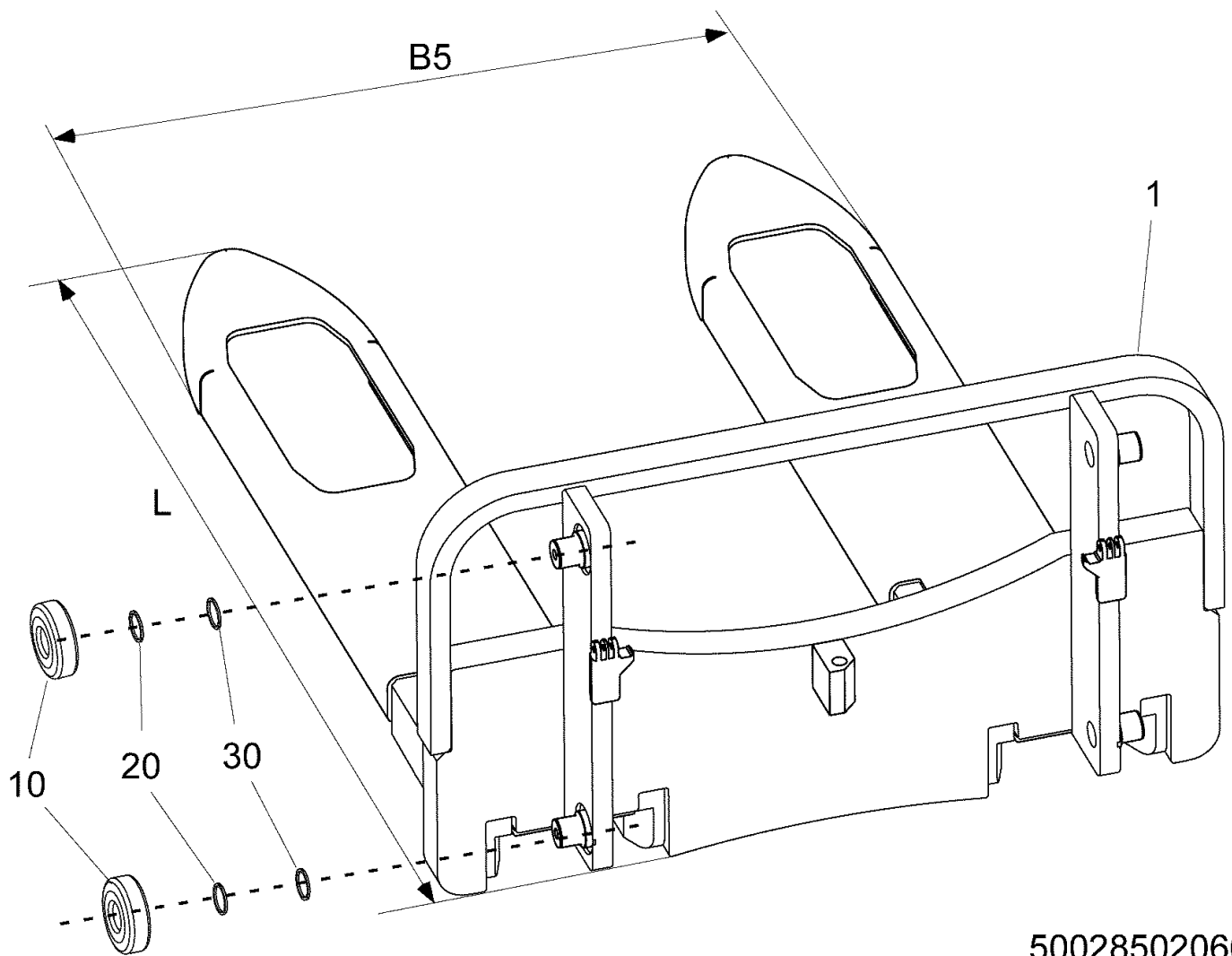


Dis.4087

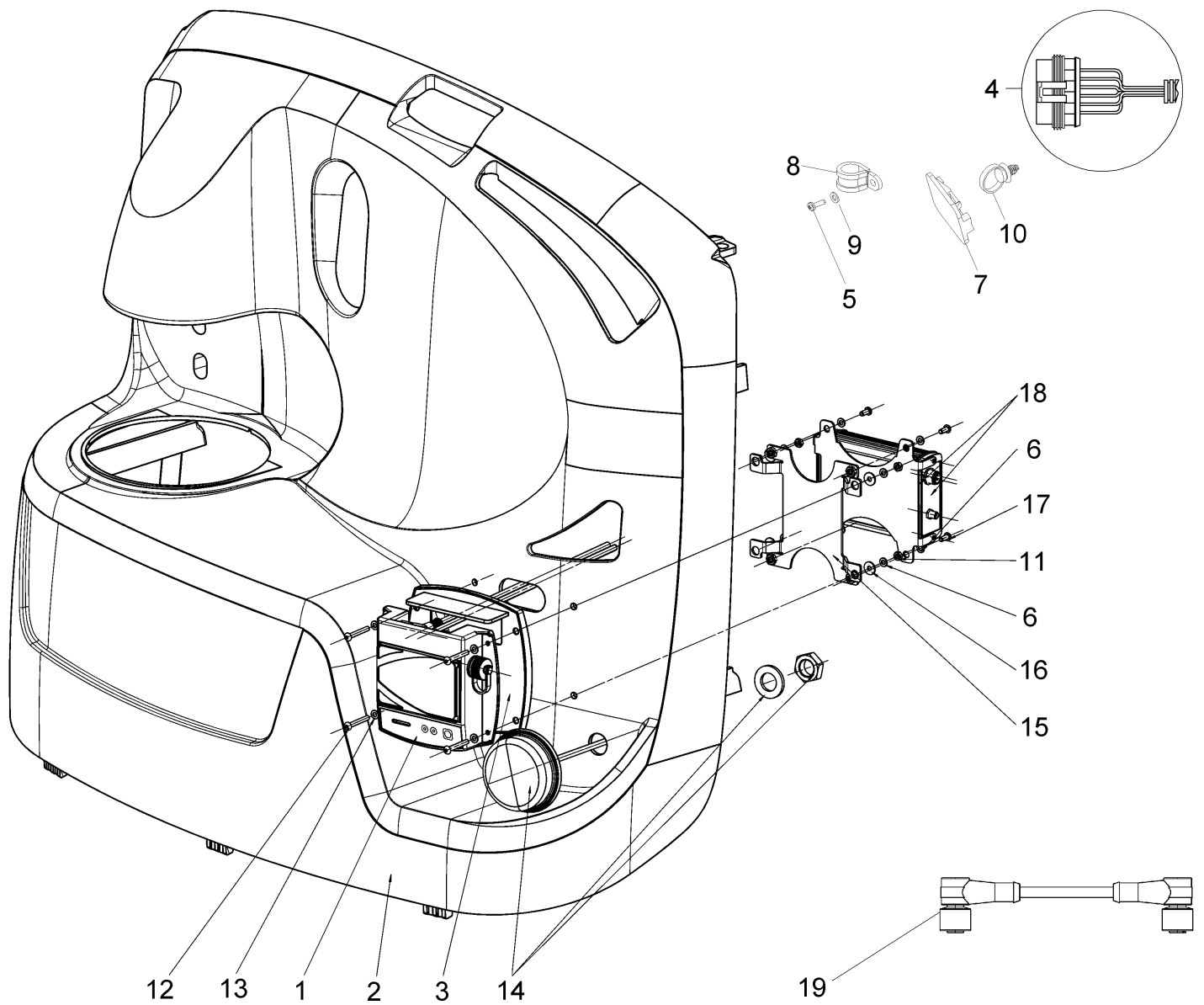


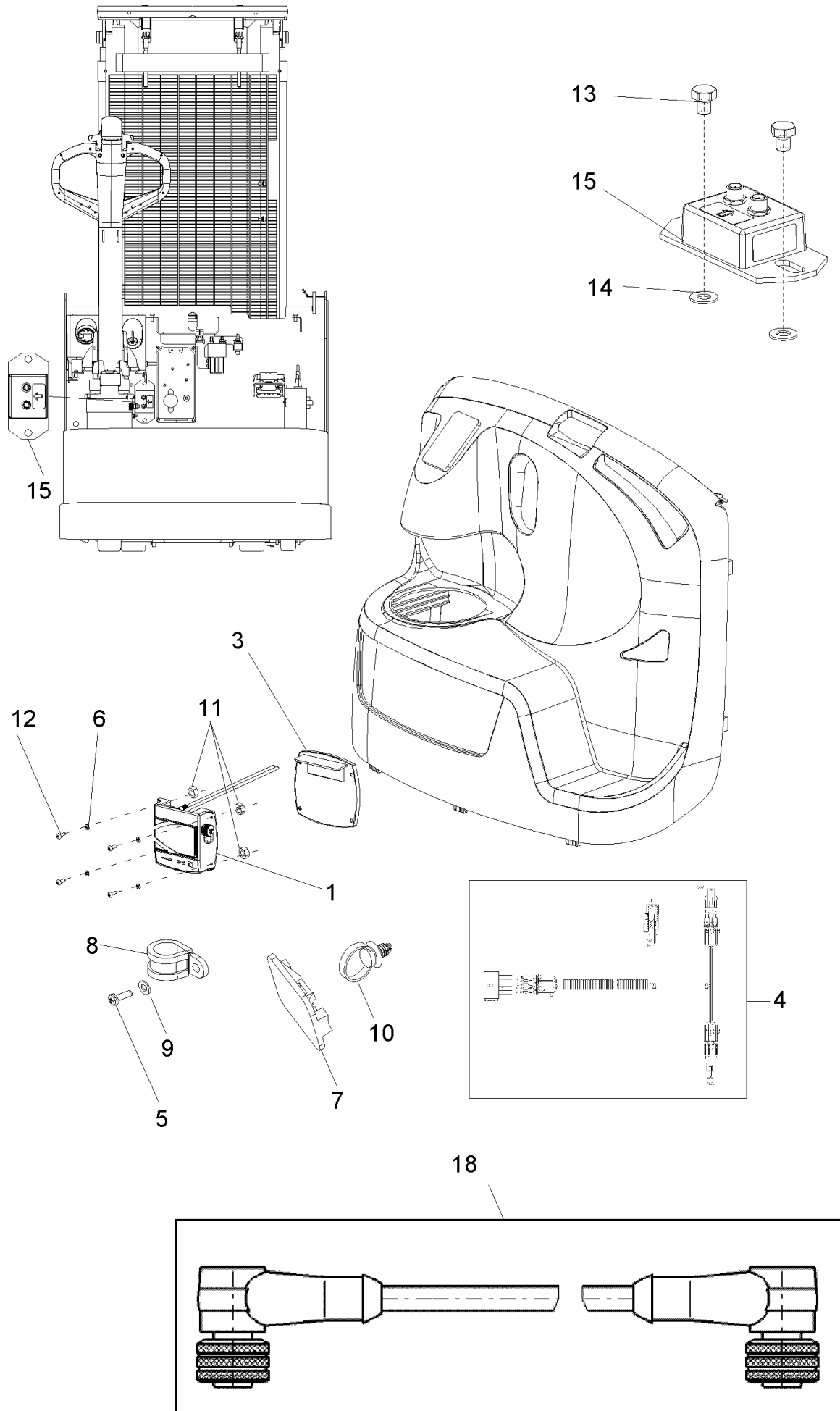


52004401767



50028502066





0009019085	Page:	172, 178, 182, 188
0009034033	Page:	172, 178, 188
0009034058	Page:	180
0009034059	Page:	182
0009063100	Page:	20
0009124057	Page:	196, 198, 204, 208, 214, 218, 222, 226, 230
0009147009	Page:	16, 18, 72, 136, 140,
0009150602	Page:	144, 146, 154
0009210865	Page:	98, 100, 102, 104, 106
0009235206	Page:	74
0009235212	Page:	74
0009314058	Page:	42, 44, 46, 48, 50, 52, 54, 56, 58, 60, 62, 64, 66, 68, 70,
0009384196	Page:	278
0009384232	Page:	284
0009384502	Page:	276
0009384812	Page:	276, 280
0009384813	Page:	276, 280
0009441285	Page:	168, 176, 180, 186
0009441286	Page:	168, 176, 186
0009441287	Page:	188
0009441747	Page:	170, 176, 180, 186
0009441868	Page:	188
0009442467	Page:	236
0009443365	Page:	176, 180
0009444102	Page:	180
0009444300	Page:	174
0009445116	Page:	174
0009445165	Page:	168, 180
0009512491	Page:	174
0009553086	Page:	136, 140
0009555072	Page:	170, 178, 186
0009555098	Page:	180
0009619195	Page:	234
0009619197	Page:	234
0009619198	Page:	238, 240
0009622250	Page:	180
0009622254	Page:	188
0009622787	Page:	170, 178, 186
0009629279	Page:	170, 180
0009630000	Page:	188
0009630122	Page:	172, 178, 182, 188
0009630462	Page:	234
0009630463	Page:	218, 222, 226, 230
0009632066	Page:	182
0009632172	Page:	188

CLICK HERE TO **DOWNLOAD** THE COMPLETE MANUAL

- Thank you very much for reading the preview of the manual.
- You can download the complete manual from: www.heydownloads.com by clicking the link below



- Please note: If there is no response to CLICKING the link, please download this PDF first and then click on it.

CLICK HERE TO **DOWNLOAD** THE COMPLETE MANUAL