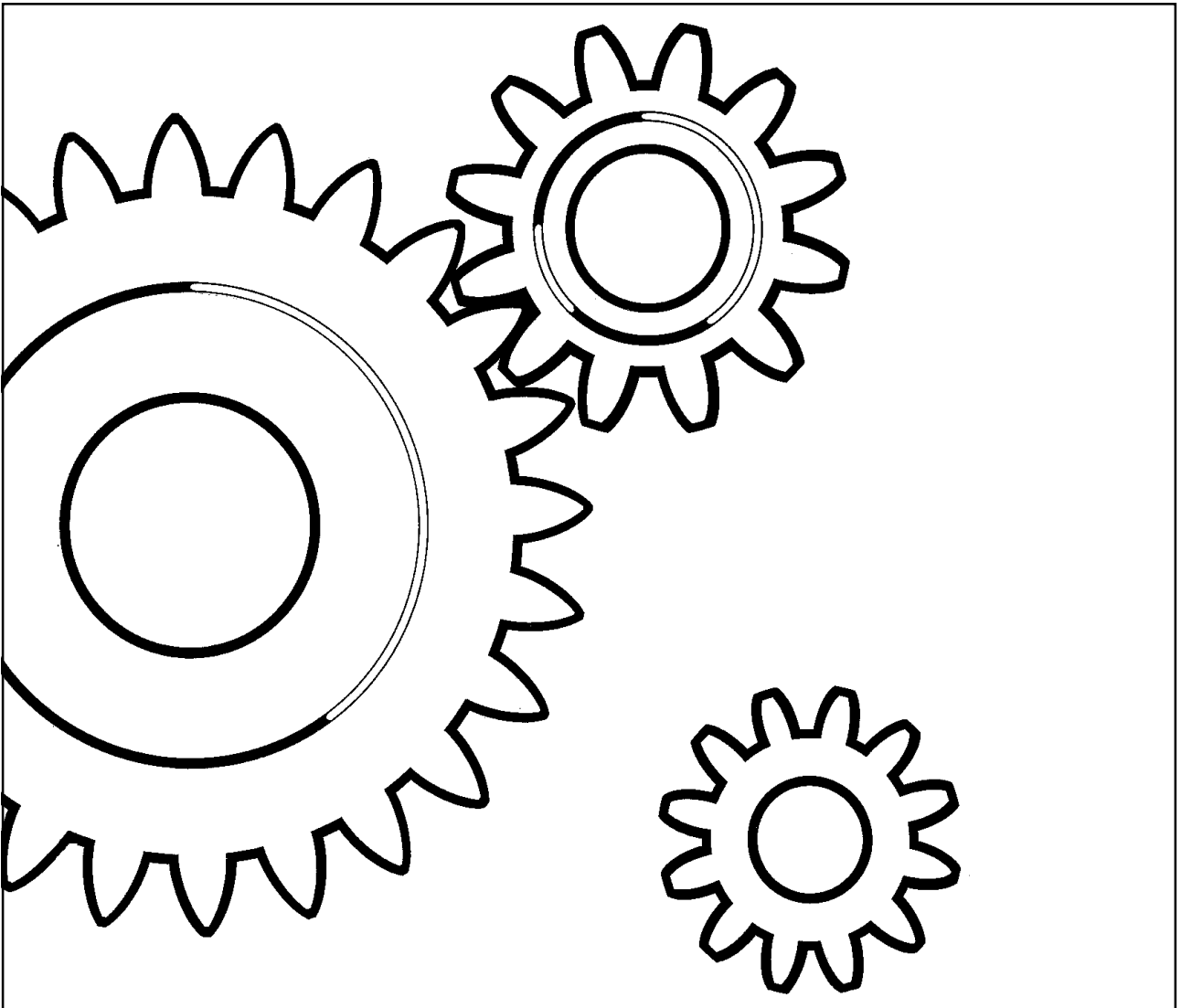


DYNAPAC PL2000LS SPARE PARTS CATALOGUE

504.157



DYNAPAC

Ammerländer Straße 93, D-26203 Wardenburg, Germany

Phone: +49 4407/972-0, Fax: +49 4407/972-143

www.dynapac.com

CLICK HERE TO **DOWNLOAD** THE COMPLETE MANUAL

- Thank you very much for reading the preview of the manual.
- You can download the complete manual from: www.heydownloads.com by clicking the link below



- Please note: If there is no response to CLICKING the link, please download this PDF first and then click on it.

CLICK HERE TO **DOWNLOAD** THE COMPLETE MANUAL

Pos. Item	Best.-Nr. Part No.	Anz. Qty.	Beschreibung Description	Bemerkung Note
				31.10.06
Main frame			504-01100A	

Pos. Item	Best.-Nr. Part No.	Anz. Qty.	Beschreibung Description	Bemerkung Note
48	500210397	1	Distance bushing	
49	600009	1	Disc	
50	938500009	1	Safety nut	
51	500037	1	Hex. screw	
55	504010727	1	Footwell, compl.	
56	504010305	2	Lock profile	
57	504010316	2	Side plate	
58	504010318	2	Angle	
59	939142309	4	Screw	
60	930234010	32	Rubber buffer	
61	504010728	4	Bottom plate, compl.	
62	930579800	2	Lock	
_01	956114040	1	_Punch key	
63	600003	4	Disc	
65	49300078	4	Rivet	
66	504010321	5	U-girder	
67 *	930235491	2	Seal profile	X m
68	504010729	1	Bottom plate	
69	930280167	2	Protection	X m
70	500210472	1	Support, left	
71	500210470	1	Support, right	
72	930040107	4	Hexagon flange bolt	
73	930220811	2	Pneumatic spring	
74	930220812	2	Pneumatic spring	
75	930040110	4	Hexagon flange bolt	
76	500048	4	Screw	
77	938165715	2	Screw	
78	938165662	4	Hex. screw	
79	570006	10	Nut	
80	570005	12	Nut	
81	500234	2	Screw	
82	939776115	8	Locking washer	
84	500210462	2	Distance piece	
85	500210465	2	Flap mechanic	
100	500210117	1	Frame for cooler	
101	500210118	1	Frame insert	
102	500210138	2	Support angle	
103	930136772	2	Bow type handle	
104	930118511	2	Slip-on pipe	
105	600004	15	Disc	
107	977900132	2	Working lamp	
108	939570511	8	Disc	
109	930280165	1	Seal profile	X m
110	939141711	11	Round head screw	
111	939756135	8	Nut	
*) Available as single part				

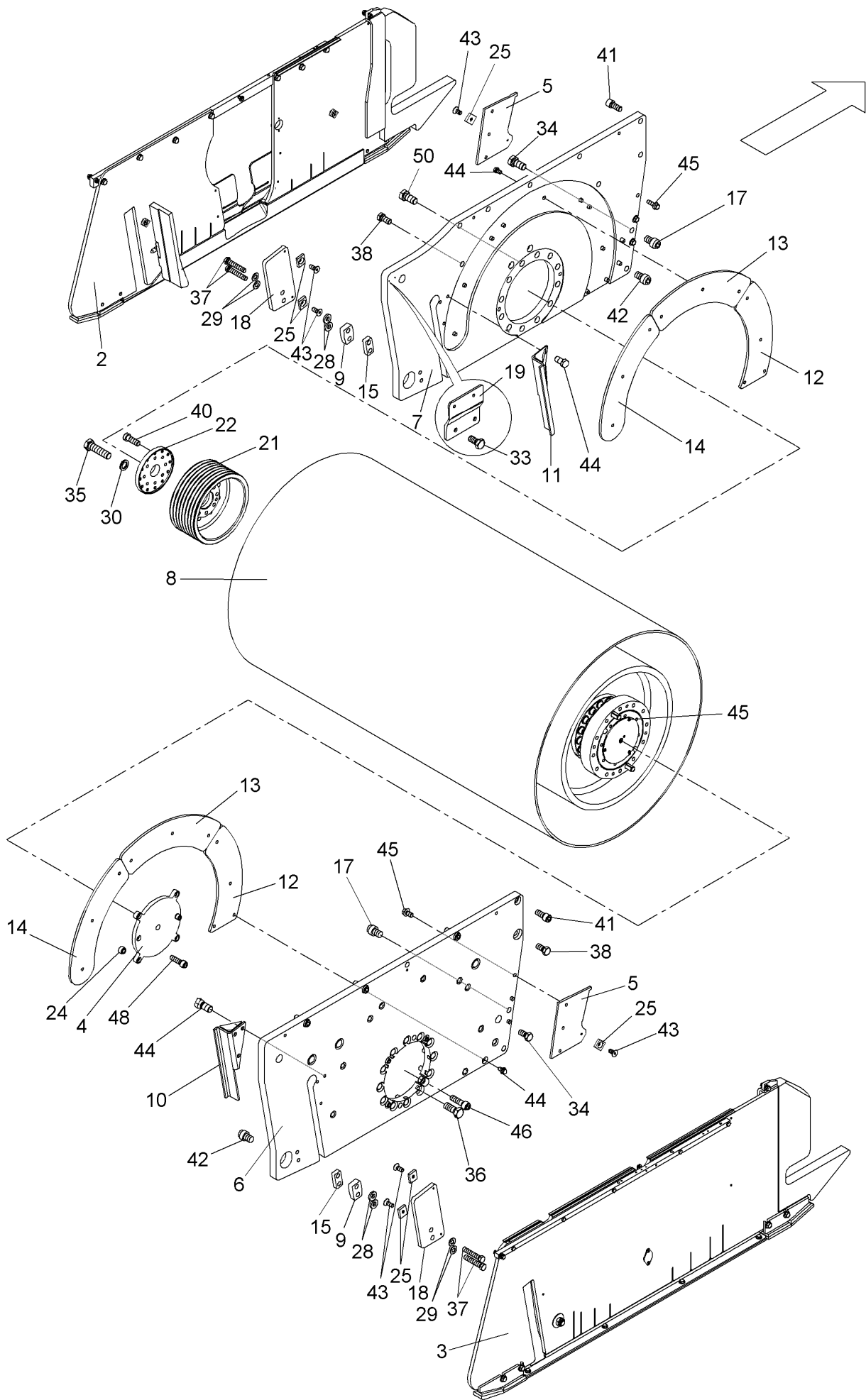
Engine hood, Tank covering, foot room

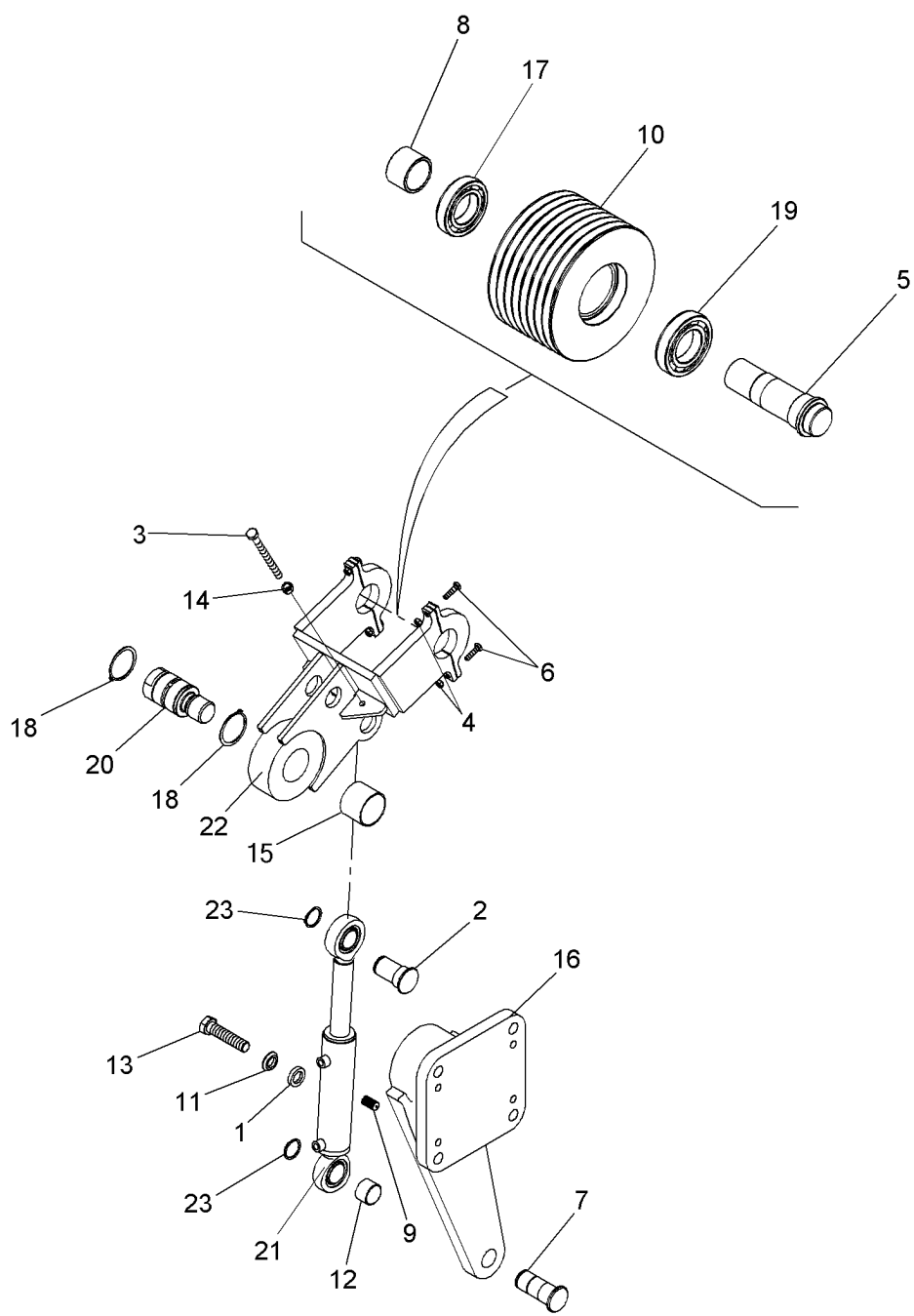
504-01130A

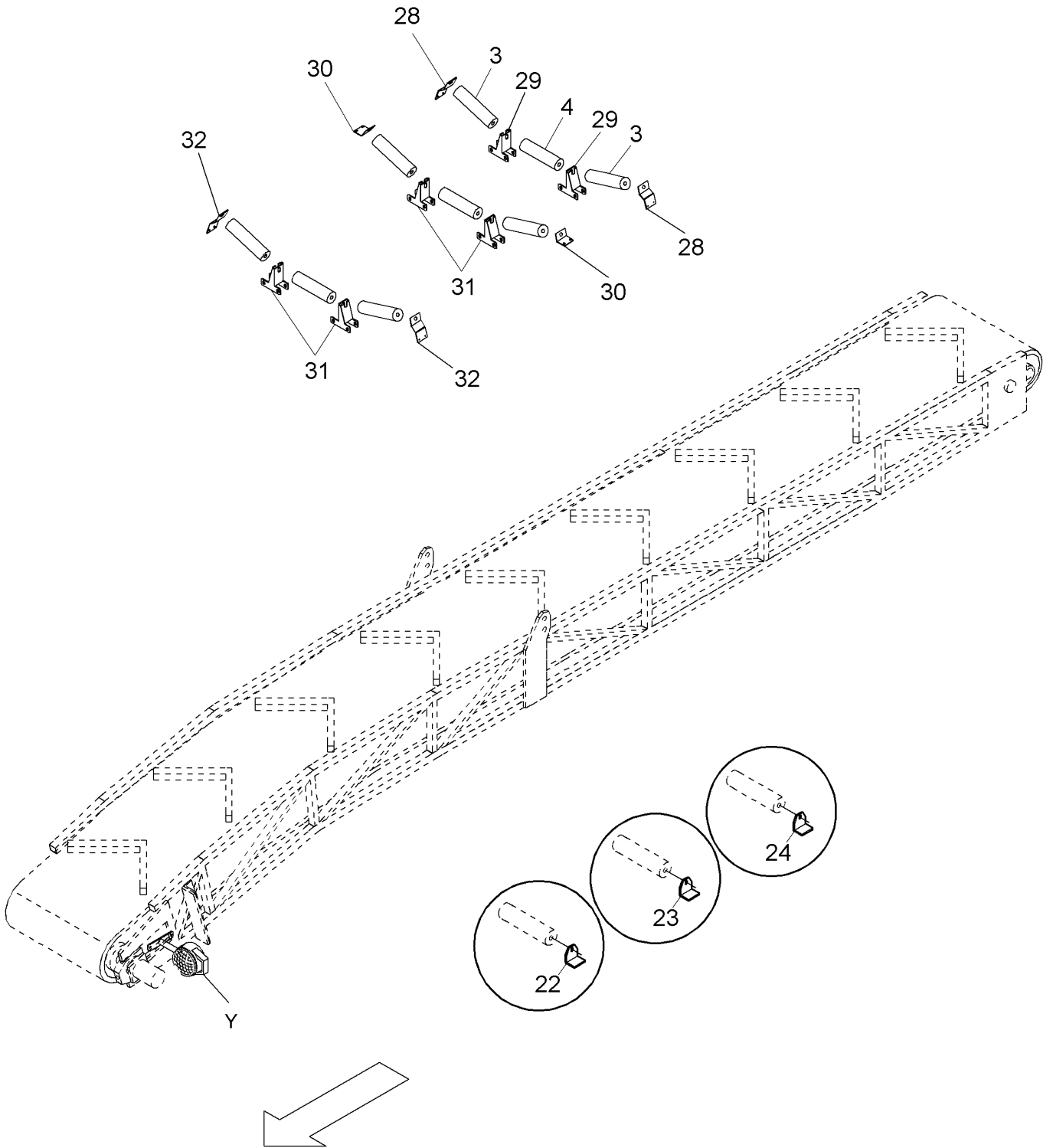
Pos. Item	Best.-Nr. Part No.	Anz. Qty.	Beschreibung Description	Bemerkung Note
1	504010216	1	Holder, right	
2	504010241	1	Holder, left	
3	930300153	2	Bearing support, with axle	
4	504010226	1	Safety grating	
5	930229363	4	Friction bearing with collar	
6	49302463	2	Pneumatic spring	
7	504010239	1	Step, compl.	
8	504010238	1	Step, compl.	
9	504010240	2	Spacer, compl.	
10	930229317	2	Sliding bearing	
11	930135147	2	Bolt	
12	930429013	2	SL-safety	
13	930229365	4	Friction bearing with collar	
14	600004	2	Disc	
15	938500005	2	Nut	
16	600008	2	Disc	
17	938500008	2	Nut	
18	930462914	2	Plug	
19	600009	4	Disc	
20	500012	4	Screw	
21	49900080	4	Screw retention	
22	939776113	16	Locking washer	
23	937930276	16	Cylinder screw	
25	49302463	2	Pneumatic spring	
31	504010202	1	Step	
32	930436370	1	Gib and cotter	
33	504010233	2	Bolt	
34	504010234	2	Locking plate	
35	937930227	2	Screw	
36	938254002	2	Nut	
37	600003	4	Disc	
38	938165494	4	Hex. screw	
39	930229317	2	Sliding bearing	
40	930229366	4	Friction bearing with collar	
41	930229321	2	Sliding bearing	
51	504010198	1	Step	
52	932405052	2	O-ring	
53	937930276	4	Cylinder screw	
54	570005	4	Nut	
61	934804624	2	Fork head	
62	931600654	2	Bolt	
63	504010611	1	Distance holder	
64	570007	2	Hex. nut	
71	504010249	1	Swinging arm, right	
72	504010252	2	Bow	
73	934363206	12	Clamping pieces	

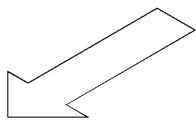
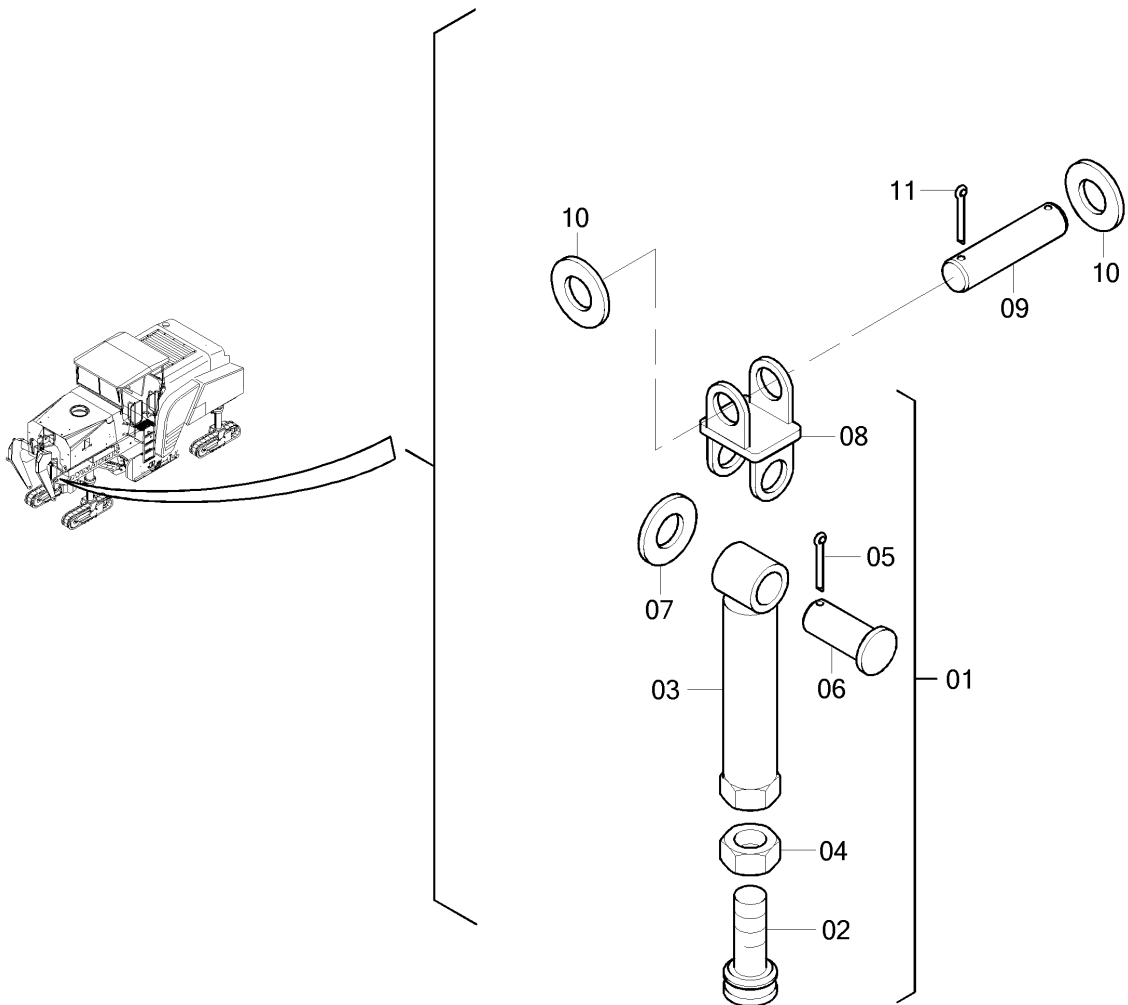
Ascent assy

504-01150



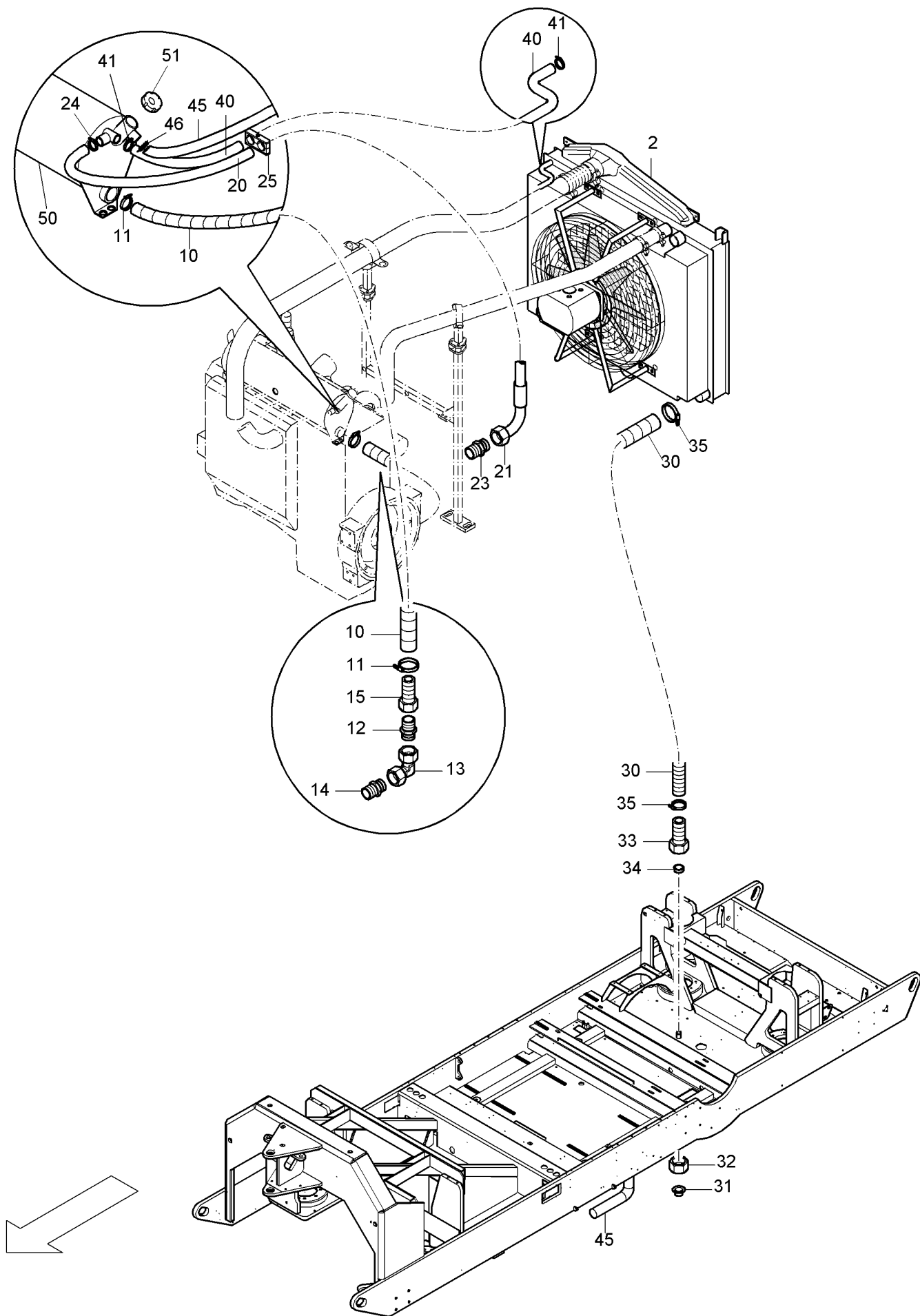


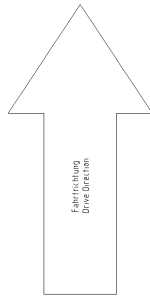




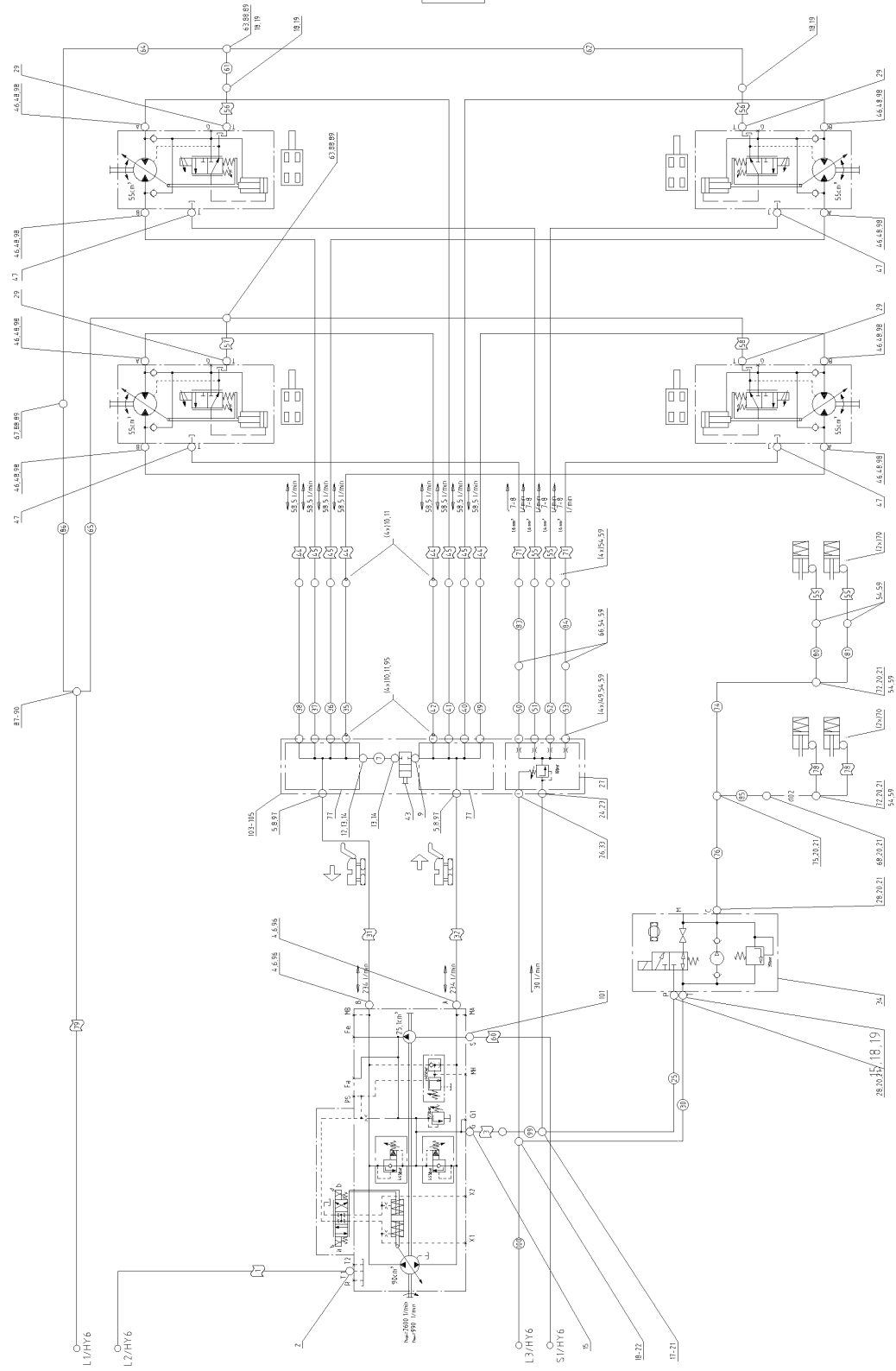
Pos. Item	Best.-Nr. Part No.	Anz. Qty.	Beschreibung Description	Bemerkung Note
1	504-05110	1	Track group	
Track group				

Pos. Item	Best.-Nr. Part No.	Anz. Qty.	Beschreibung Description	Bemerkung Note
	951058552		Split gear box	Stiebel
1	951025150	1	Housing cover	
2	951025151	1	Housing	
3	951040760	1	Bearing flange	
4	951073084	2	Spur wheel	
5	951073085	2	Spur wheel	
6	951073086	1	Spur wheel	
7	951088841	2	Shaft	
8	951022253	1	Flanged shaft	
9	951029668	2	Profile shaft	
10	951042020	1	Track ring	
11	951042021	1	Track ring	
12	951037221	1	Coupling piece	
13	951037222	1	Coupling piece	
14	951037223	1	Coupling piece	
15	951052855	1	Dipstick	
16	111196	2	Roller bearing	
18	111104	5	Roller bearing	
19	935004902	2	Roller bearing	
20	951062515	1	Radial seal	
21	951062516	1	Radial seal	
22	932211845	1	O-ring	
23	936004849	7	Circlip	
24	936002659	3	Circlip	
27	932101272	1	Compensating washer	
28	931706748	3	Feather key	
29	49900088	30	Screw	
30	936717711	2	Plain pin	
31	937914010	2	Plug screw	
32	951017041	1	Vent valve	
33	951036570	1	Swivel nut elbow	
34	961084050	1	Extension	
35	932702481	1	Sealing washer	
36	932702498	3	Sealing washer	
40	951095934	1	Cylinder roller bearing	
41	500193	8	Screw	
42	951089579	1	Angle	
43	937864006	1	Plug screw	
44	951036571	1	Swivel nut elbow	
45	956921603	12L	Gear oil	PGLP 220 26.01.07
Split gear box Stiebel				951058552





504.070120



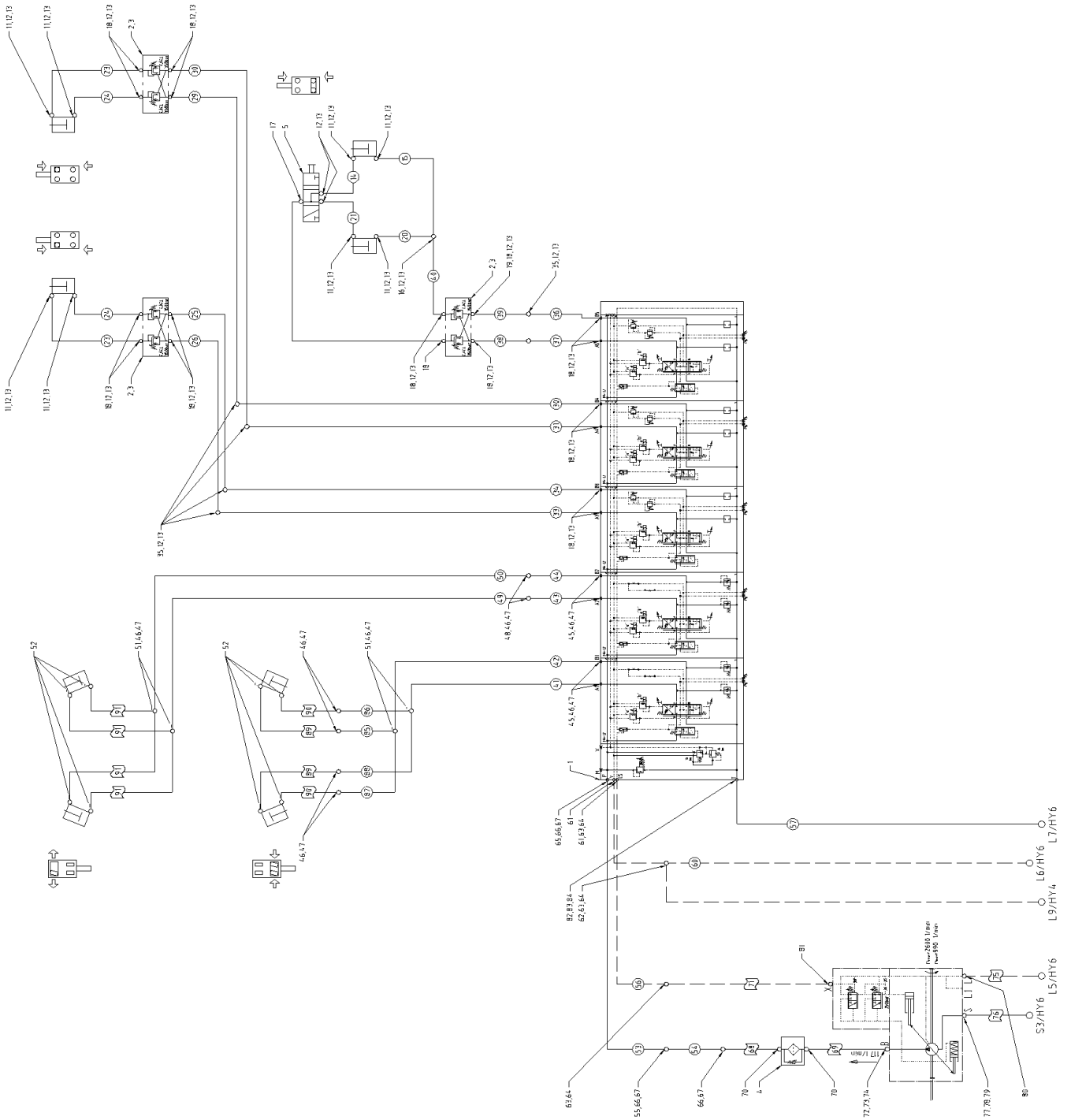
CLICK HERE TO **DOWNLOAD** THE COMPLETE MANUAL

- Thank you very much for reading the preview of the manual.
- You can download the complete manual from: www.heydownloads.com by clicking the link below



- Please note: If there is no response to CLICKING the link, please download this PDF first and then click on it.

CLICK HERE TO **DOWNLOAD** THE COMPLETE MANUAL



Pos. Item	Best.-Nr. Part No.	Anz. Qty.	Beschreibung Description	Bemerkung Note
45	960861408	1	Hose	1000 mm
46	960860832	1	Hose	650 mm
47	961951185	2	Straight double-ended union	
48	504070568	1	Pipeline	
49	49901806	6	Screw retention	
50	504070179	2	Holder	
51	961906006	6	Bulk head union	
52	961983605	2	Reduction union	
54	961935106	4	Stud	
55	960820553	1	Hose	450 mm
56	960831051	1	Hose	500 mm
57	961917008	3	Adjustable elbow	
58	961919006	10	Stud	
59	504070573	1	Pipeline	
60	960820804	1	Hose	500 mm
61	961935103	8	Straight double-ended union	
62	960820901	1	Hose	550 mm
64	960822500	3	Hose	1800 mm
65	960820553	8	Hose	450 mm
66	961980605	1	Reduction screwing	
67	961121006	4	Stud	
68	500070543	2	Pipeline	
69	500070544	2	Pipeline	
70	500070545	2	Pipeline	
71	961934201	8	Straight double-ended union	
72	961905006	2	Union tee	
74	504070528	1	Pipeline	
75	504070529	1	Pipeline	
76	504070616	1	Pipeline	
77	504070617	1	Pipeline	
78	960820210	4	Hose	
80	504070618	1	Pipeline	
81	504070678	1	Pipeline	
82	504070679	1	Pipeline	
83	504070621	1	Pipeline	
84	504070622	1	Pipeline	
85	961905006	3	Union tee	
86	960820800	2	Hose	
87	504070623	1	Pipeline	
88	504070624	1	Pipeline	
89	504070625	1	Pipeline	
90	504070682	1	Pipeline	
91	504070683	1	Pipeline	
92	961904006	3	Union elbow both ports	
93	504070628	1	Pipeline	
94	504070629	1	Pipeline	

Steering 2

504-07155

Pos. Item	Best.-Nr. Part No.	Anz. Qty.	Beschreibung Description	Bemerkung Note
	504070149	1	Suction/return line	
1	504-07100		Hydraulik oil tank, compl.	
2	961102012	2	Nut	
3	961102062	2	Cutting ring	
4	960892960	1	Hose	1350 mm
5	960892940	1	Hose	1050 mm
6	508079	4	Screw	
7	930211346	2	Flange half	
8	969181012	1	Intermediate stud	
9	500070306	1	Pipeline	
10	504070501	1	Pipeline	
11	932405051	1	O-ring	
12	969111012	1	Non return valve	
14	504070109	1	Collector	
15	961183608	2	Screwing	
16	961919009	2	Swivel nut run tee	
17	500070309	1	Drain valve	
18	961102013	2	Nut	
19	961102063	1	Cutting ring	
20	961170013	1	Plug stud	
21	960892969	1	Hose	1775 mm
22	961935163	1	Straight double-ended union	
23	961353038	1	Straight double-ended union	
24	961102064	2	Cutting ring	
25	961102014	2	Union nut	
26	961919006	1	Stud	
27	961917006	1	Union elbow both ports	
28	960822481	1	Hose	1800 mm
30	961917014	1	Union elbow both ports	
31	969174113	1	Plug screw	
32	969174114	1	Plug screw	
33	500053	4	Screw	
34	600006	4	Disc	

Suction/return line

504-07175

Pos. Item	Best.-Nr. Part No.	Anz. Qty.	Beschreibung Description	Bemerkung Note
	504070128	1	Foldable conveyor	
1	963155278	1	Steering block	
2	963081215	1	Flow divider	
3	963076600	2	Flow control adjustable	
4	965080281	2	Hydraulic cylinder	
_01	965531565	1	_Seal kit	
_02	965561920	1	_Hinge head	
5	965080282	2	Hydraulic cylinder	
_01	965531566	1	_Seal kit	
_02	965561921	1	_Hinge head	
6	965080280	2	Hydraulic cylinder	
_01	965531567	1	_Seal kit	
_02	965561922	1	_Hinge head	
7	963125314	1	Way valve	
8	960845280	1	Hose	2500 mm
9	960823801	2	Hose	2500 mm
10	961906006	1	Bulk head union	
11	961906007	1	Bulk head union	
12	504070646	1	Pipeline	
13	504070655	1	Pipeline	
14	961935104	2	Straight double-ended union	
15	961935106	1	Stud	
18	960822794	1	Hose	
19	961121009	1	Straight coupling	
20	961982613	1	T-Reducer screwing	
21	960843700	1	Hose	2000 mm

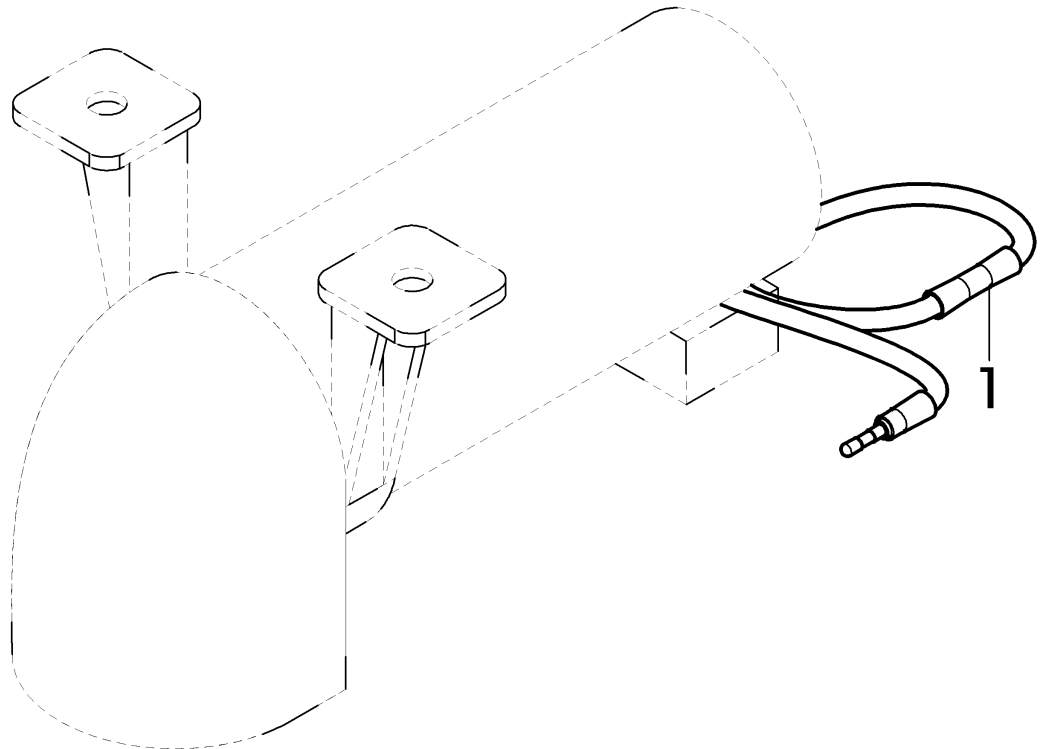
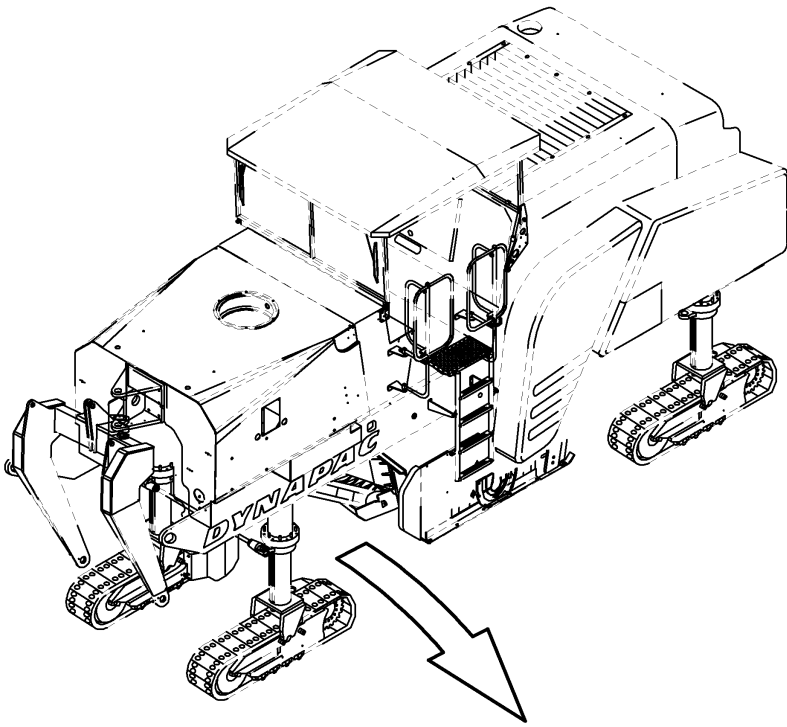
Foldable conveyor Option

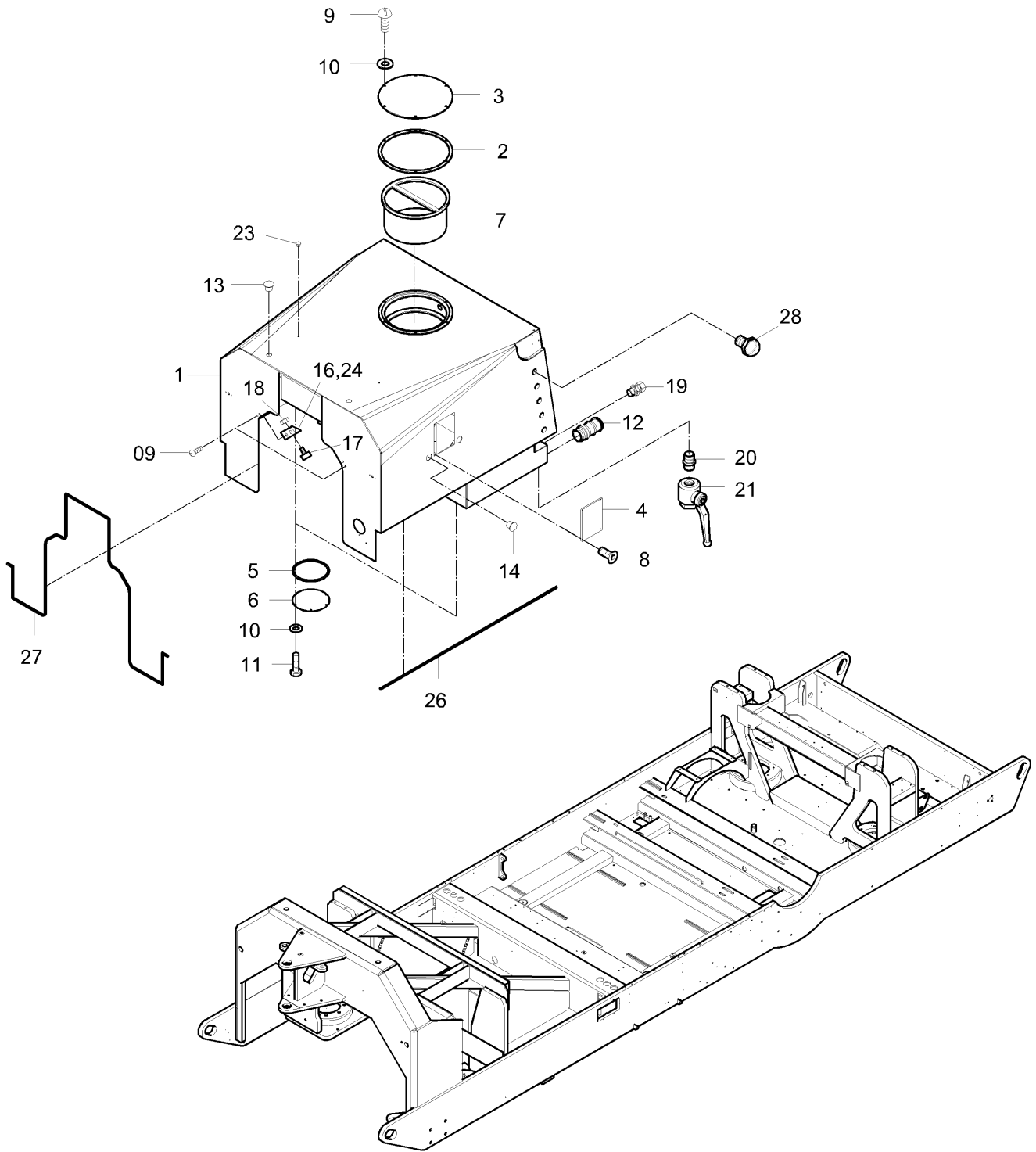
504-07200

Pos. Item	Best.-Nr. Part No.	Anz. Qty.	Beschreibung Description	Bemerkung Note
	504080104		Electr. parts control units	
1	978005010	1	Control unit back, left	
2	504080185	1	Control unit back, right	
3	504080186	1	Control unit front, right	
11	504080183	1	Carrier-plate	
12	504080196	1	Vandalism protection	
13	978005010	1	Control unit back, left	
14	930129457	12	Rivet	
15	930440087	2	Hinge	
16	930234010	2	Rubber buffer	
17	938366538	6	Screw	
18	600002	6	Disc	
19	938191012	6	Nut	
23	978005009	1	Control unit, front	
			–	29.03.05
Control unit				504-08114

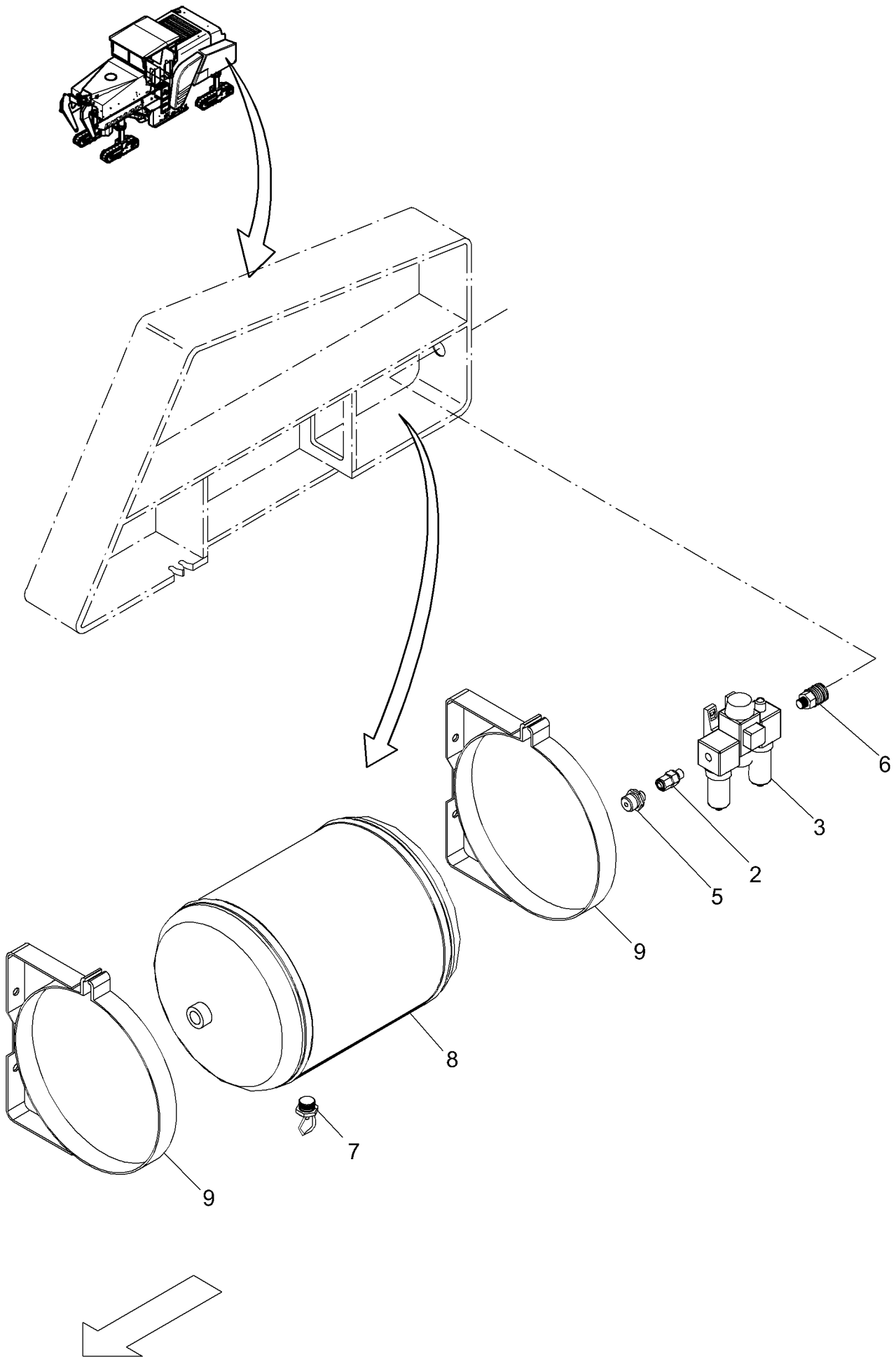
Pos. Item	Best.-Nr. Part No.	Anz. Qty.	Beschreibung Description	Bemerkung Note
1	504080111 49100521	4	Drive Pulse pickup -	01.04.05
Drive				504-08121

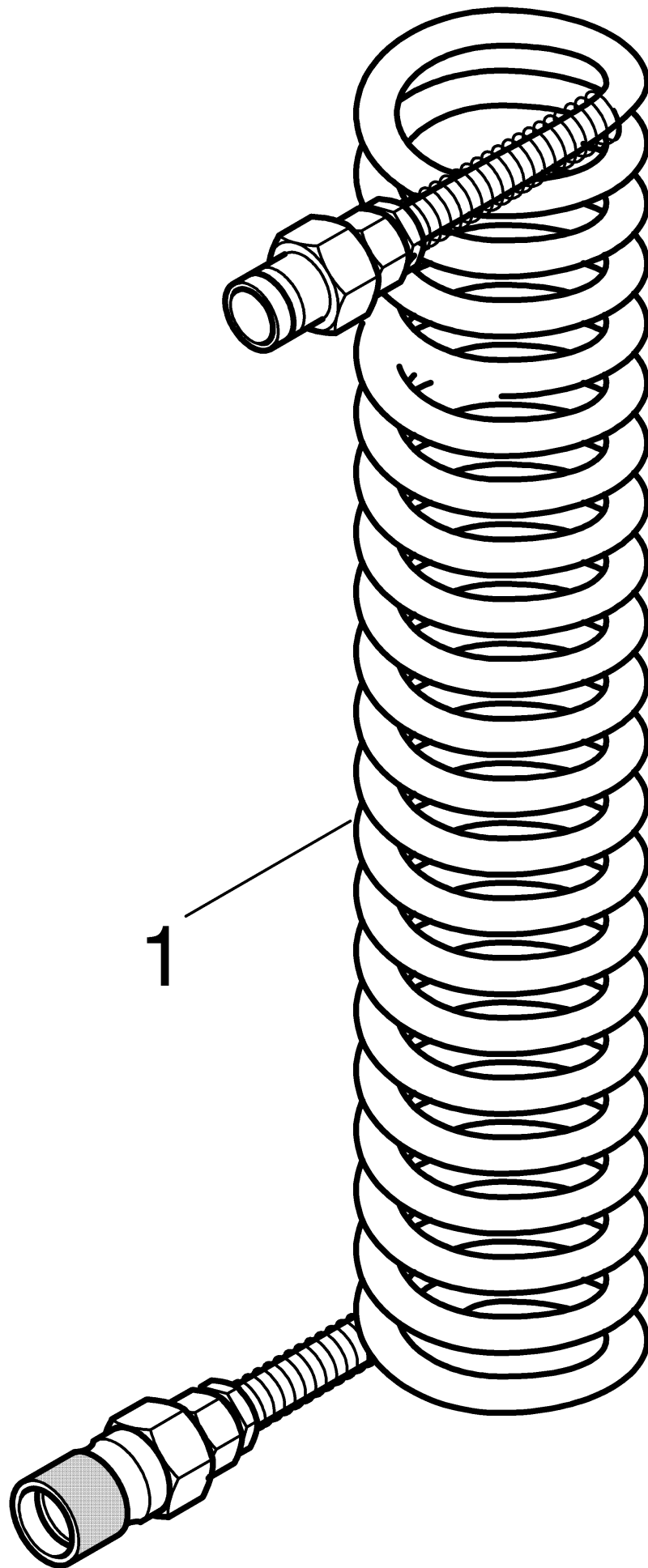
Pos. Item	Best.-Nr. Part No.	Anz. Qty.	Beschreibung Description	Bemerkung Note
	504080117		Emergency steering	
1	500180251	1	Plate	
2	500180244	1	Housing cover	
3	500180242	1	Housing	
4	977580238	1	Emergency stop switch	
5	49100689	2	Resistor	
6	504080296	1	Decal	
7	504080219	1	Cable harness	
8	977532018	7	Toggle switch	
9	49100372	1	Fuse holder	
10	977454254	1	Fuse	
11	49100726	1	Potentiometer	
13	977415429	1	SEM-quick connection	
14	49150044	1	Cable protection hose	
15	977532036	1	Toggle switch	
16	49100425	1	Press button switch	
18	977479850	1	Receptacle housing	
			–	29.03.05
Emergency steering				504-08127





Pos. Item	Best.-Nr. Part No.	Anz. Qty.	Beschreibung Description	Bemerkung Note
	504100001		Tool and accessories	
1	956189850	1	Tool box, compl.	Part 2-26
2	956189520	1	Tool box	
3	956185814	1	Padlock	
4	956127164	1	Set open-end wrench	
5	956160560	1	Ring key	
6	956160570	1	Ring key	
7	956160640	1	Ring key	
8	956160720	1	Ring key	
9	956160820	1	Ring key	
10	956160920	1	Ring key	
11	956133010	1	Set of hex. screw drivers	
12	956132912	1	Hex. screw driver	
13	956132914	1	Hex. screw driver	
14	956132917	1	Hex. screw driver	
15	956128550	1	Hammer	
16	956138220	1	Pliers	
17	965188550	1	Multiple slip-point gripping pliers	
18	956138620	1	Combination pliers	
19	956122540	1	Flat chisel	
20	956114006	1	Mandrel	
21	956169230	1	Screwdriver	
22	956169380	1	Electric screwdriver	
23	956114105	1	Brush	
24	956157520	1	Test lamp	
25	956178280	1	Funnel	
26	956153510	1	Oil can	
27	956145983	1	Mounting lever	
28	977454257	5	Fuse	25 Amp.
29	977454258	5	Fuse	30 Amp.
30	977453063	1	Fuse	60 Amp.
31	977454248	10	Fuse	1 Amp.
32	977454250	5	Fuse	
33	977454252	10	Fuse	
34	977454256	5	Fuse	20 Amp.
35	977454254	5	Fuse	
36	977454255	5	Fuse	15 Amp.
37	930540824	1	Bushing extractor	
38	956124599	1	Fork wrench	
39	956121090	1	Pressure grease gun	
40	956121115	1	Hose with high pressure nipple	
41	51130298	3	Grease cartridge	
42	956114040	1	Punch key	
43	977450545	1	Spare key	
44	49302265	2	Ear protection	
45	956400005	1	Rule	
Tools and accessories				504-11100





Pos. Item	Best.-Nr. Part No.	Anz. Qty.	Beschreibung Description	Bemerkung Note
	504180276		Remote control	
1	977479724	1	Cable plug	
2	977374455	1	Cable	
	504180290	1	Housing, compl.	
4	977415578	1	Cable screwing	M16x1,5
5	977416517	1	Counter nut	
6	504180289	1	Housing	
7	977580238	1	Emergency stop switch	
8	977532018	1	Toggle switch	
9	504180297	1	Decal	
10	900625239	1	Holder	
11	937930115	1	Cylinder screw	
Remote control Option				504-08387

CLICK HERE TO **DOWNLOAD** THE COMPLETE MANUAL

- Thank you very much for reading the preview of the manual.
- You can download the complete manual from: www.heydownloads.com by clicking the link below



- Please note: If there is no response to CLICKING the link, please download this PDF first and then click on it.

CLICK HERE TO **DOWNLOAD** THE COMPLETE MANUAL