

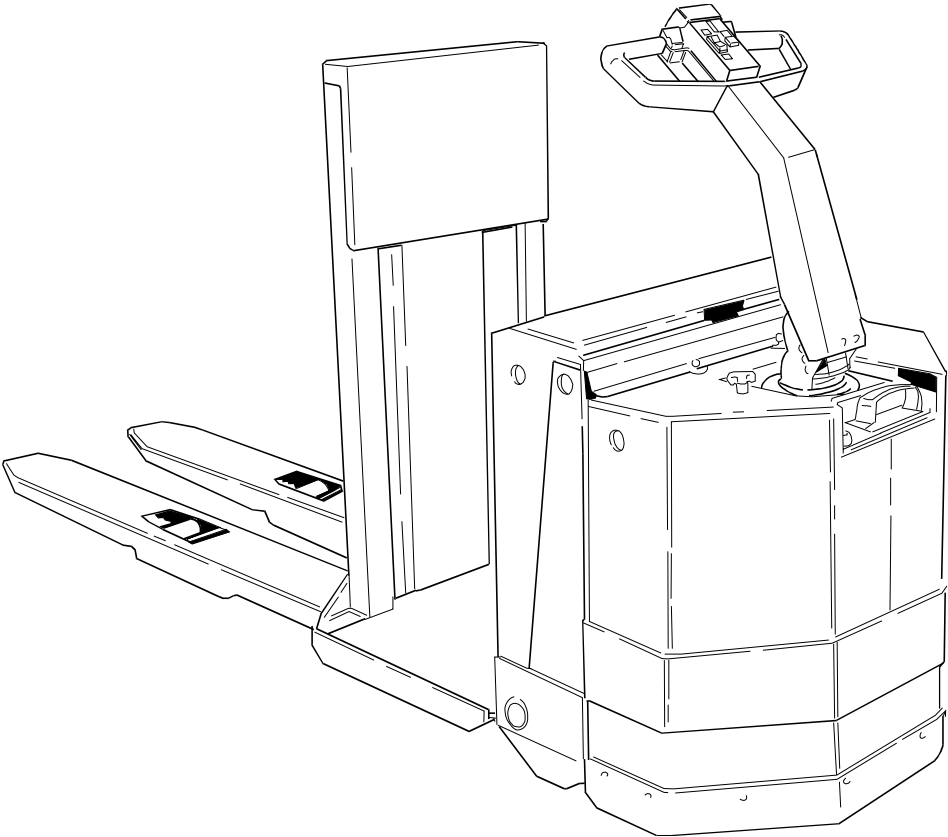
MO 15

Powered order picking truck

Valid for machine number: 306955AM-

Only valid for machine number:

--	--	--	--	--	--	--	--



Spare Parts Catalogue

Ordering number 161053

Date 1997-11-03 / BDJ

CLICK HERE TO **DOWNLOAD** THE COMPLETE MANUAL

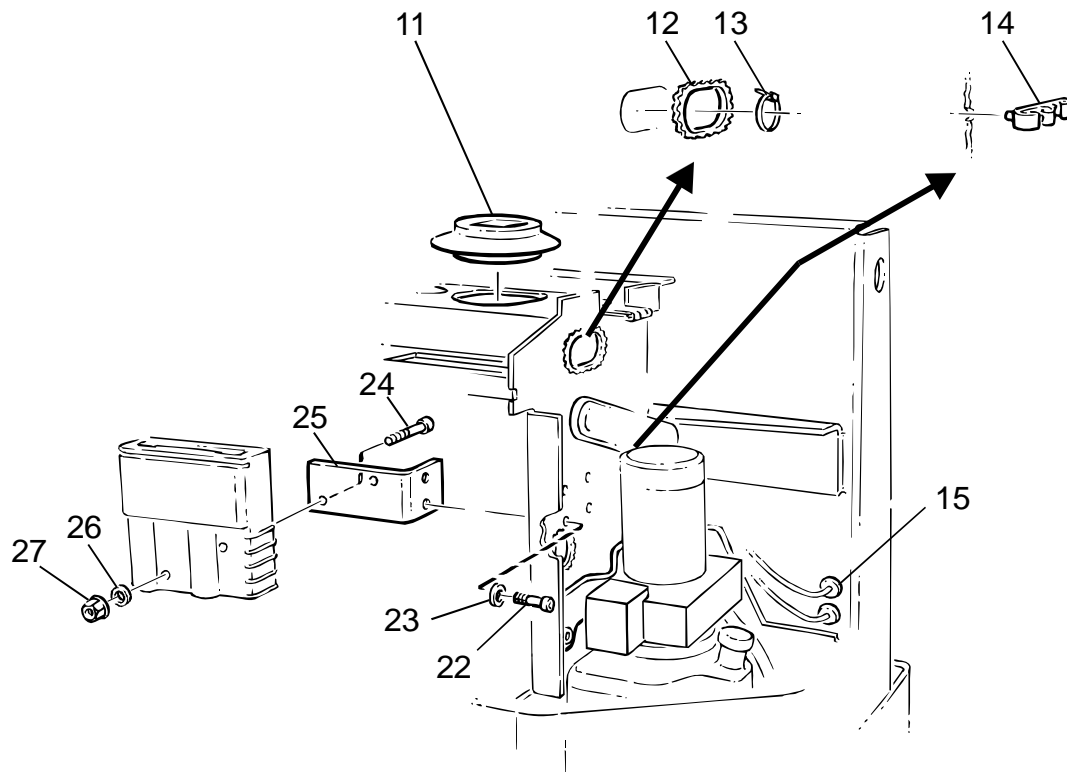
- Thank you very much for reading the preview of the manual.
- You can download the complete manual from: www.heydownloads.com by clicking the link below



- Please note: If there is no response to CLICKING the link, please download this PDF first and then click on it.

CLICK HERE TO **DOWNLOAD** THE COMPLETE MANUAL

0400-004



0400-004 Frame/Chassis components

[1996-01-12]

Ram-monterade detaljer; Rahmen mont. Teile; Composants du chassis

Pos	Description	Pcs	Part No	Note
11	Dust guard Damask; Gamaschen; Dispositif de protection	1	134501	
12	List List; Leiste; Bande		22420	
13	Clamp Klamma; Rohrschelle; Collier		28192	
14	Clamp Klamma; Rohrschelle; Collier	1	138966	
15	Conduit entry Kabelgenomföring; Kabeldurchgang; Traversée de câble		134334	
22	Washer Bricka; Scheibe; Rondelle	2	21275	
23	Screw Skruv; Schraube; Vis	2	20184	
24	Screw Skruv; Schraube; Vis	2	22635	
25	Bracket Fäste; Halterung; Support	1	134511	
26	Washer Bricka; Scheibe; Rondelle	2	20375	
27	Nut Mutter; Mutter; Ecrou	2	20433	

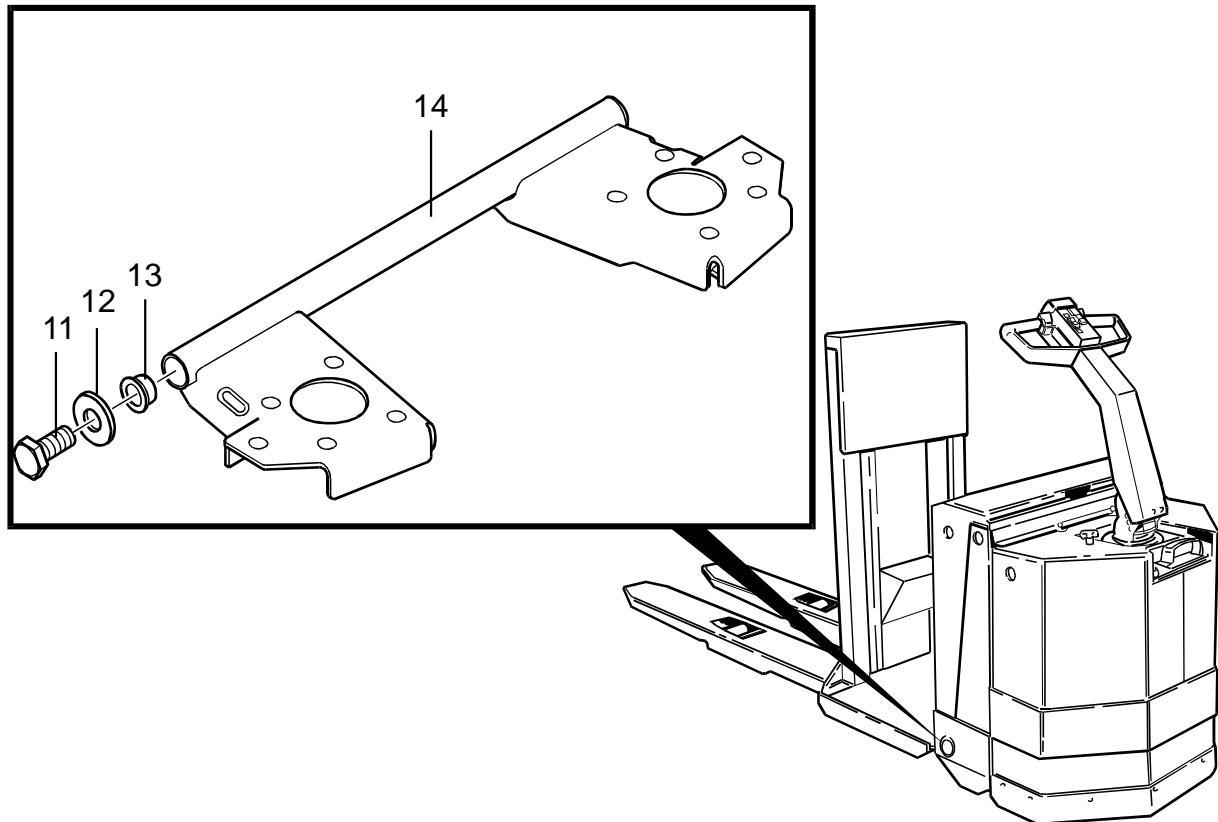
2550-008 Mechanical drive gear units

[1996-11-18]

Drivaggregat / växel; Antriebsaggregat / Getriebe; Groupe de traction

			440 MO 15	247614 -
Pos	Description	Pcs	Part No	Note
01	Driving gear compl. Drivväxel kompl.; Antriebsatz kompl.; Groupe de entrainement compl.	1	136513	
11	Dip stick Oljesticka; Ölmesstab; Jauge d'huile	1	135915	
12	Washer Bricka; Scheibe; Rondelle	1	28998	
13	Shim(0,05mm) Shims; Schim; Cale		27220	
13	Shim(0,1mm) Shims; Schim; Cale		27221	
13	Shim(0,2mm) Shims; Schim; Cale		27222	
13	Shim(0,3mm) Shims; Schim; Cale		27223	
13	Shim(0,5mm) Shims; Schim; Cale		27224	
13	Shim(1 mm) Shims; Schim; Cale		27225	
14	Screw Skruv; Schraube; Vis	4	21141	
15	Shim(0,05mm) Shims; Schim; Cale		27232	
15	Shim(0,1mm) Shims; Schim; Cale		27233	
15	Shim(0,2mm) Shims; Schim; Cale		27234	
15	Shim(0,3mm) Shims; Schim; Cale		27235	
15	Shim(0,5 mm) Shims; Schim; Cale		27236	
15	Shim(1 mm) Shims; Schim; Cale		27237	
16	Roller bearing Rullager; Rollenlager; Palier à rouleaux	1	27208	
17	Spare part kit : Bevel gear Reservdelssats : Koniskt kugghjul; Satz : Kegelrad; Jeux : Roue conique à denture droite	1	101092	
18	Nut Mutter; Mutter; Ecrou	1	101098	
19	Washer Bricka; Scheibe; Rondelle	1	23604	
20	Roller bearing Rullager; Rollenlager; Palier à rouleaux	1	27206	
21	Shim(0,05mm) Shims; Schim; Cale		27238	
21	Shim(0,1mm) Shims; Schim; Cale		27239	
21	Shim(0,2mm) Shims; Schim; Cale		27240	
21	Shim(0,3mm) Shims; Schim; Cale		27241	
21	Shim(0,5mm) Shims; Schim; Cale		27242	
21	Shim(1 mm) Shims; Schim; Cale		27243	
22	Screw Skruv; Schraube; Vis	2	28519	
24	Screw Skruv; Schraube; Vis	2	20276	
25	Cap Lock; Deckel; Couvercle	1	127280	

3570-036



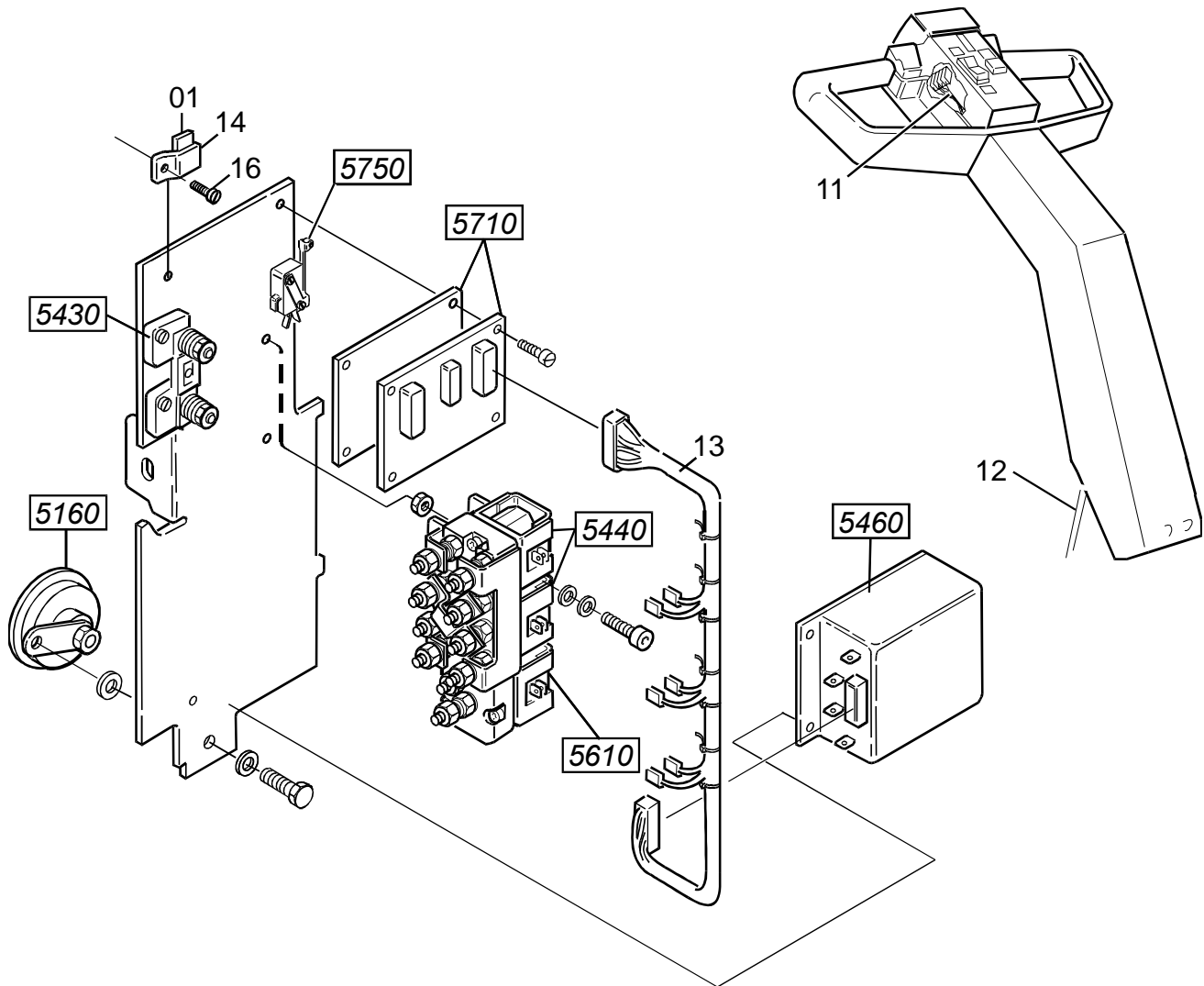
3570-036 Wheel locating points

Hjulinfästning, upphängning; Radaufhängung; Points de fixation

[1997-04-15]

Pos	Description	Pcs	Part No	Note
11	Screw Skruv; Schraube; Vis	2	134468	
12	Washer Bricka; Scheibe; Rondelle	2	28933	
13	Bush Bussning; Bague; Bague	2	140178	
14	Consol Konsol; Konsole; Console	1	134462	

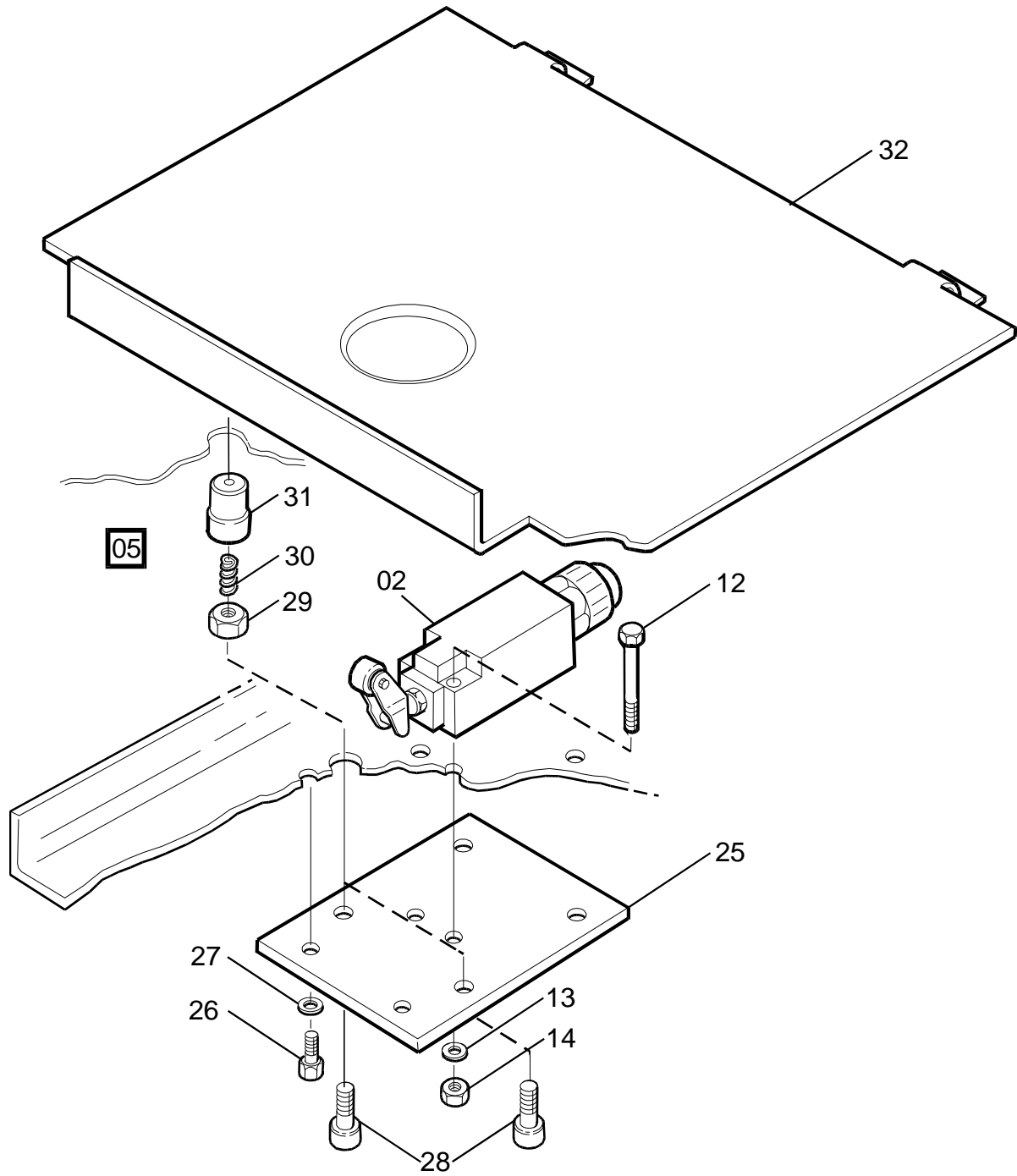
5390-019


5390-019 Control cables / harnesses

[1996-12-02]

Manöverkablage; Steuerstromkabel / verkabelung; Câblage de commande

			440 MO 15	298800 -
Pos	Description	Pcs	Part No	Note
01	Fuse(7,5A) Säkring; Sicherung; Fusible	1	122308-075	
11	Wiring harness Kablage; Kabelsatz; Câblage	1	152051	
12	Wiring harness Kablage; Kabelsatz; Câblage	1	158041	
13	Wiring harness Kablage; Kabelsatz; Câblage	1	137438	
14	Fuse holder Säkringshållare; Sicherungshalter; Porte-fusibles	1	135421	
16	Bracket Fäste; Halterung; Support	1	135422	



CLICK HERE TO **DOWNLOAD** THE COMPLETE MANUAL

- Thank you very much for reading the preview of the manual.
- You can download the complete manual from: www.heydownloads.com by clicking the link below



- Please note: If there is no response to CLICKING the link, please download this PDF first and then click on it.

CLICK HERE TO **DOWNLOAD** THE COMPLETE MANUAL