



BT Europe

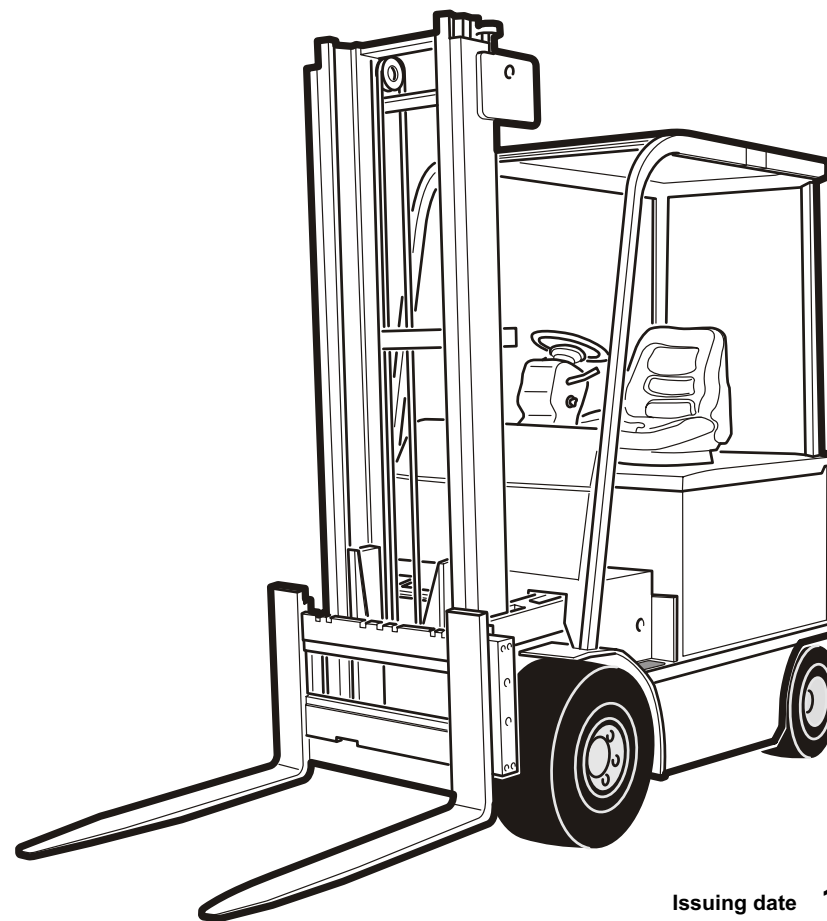
**CATALOGO PARTI DI RICAMBIO
SPARE PARTS CATALOGUE
CATALOGUE DES PIECES DETACHEES
ERSATZTEILLISTE
CATALOGO PIEZAS DE REPUESTO**

BT Europe AB,
SE-595 81 Mjölby
Sweden

E-SERIES

C4E250NV Serial N. **CE254427** ➔

C4E300NV Serial N. **CE252960** ➔



Cod. **0350185R1**

Issuing date **11-2004**

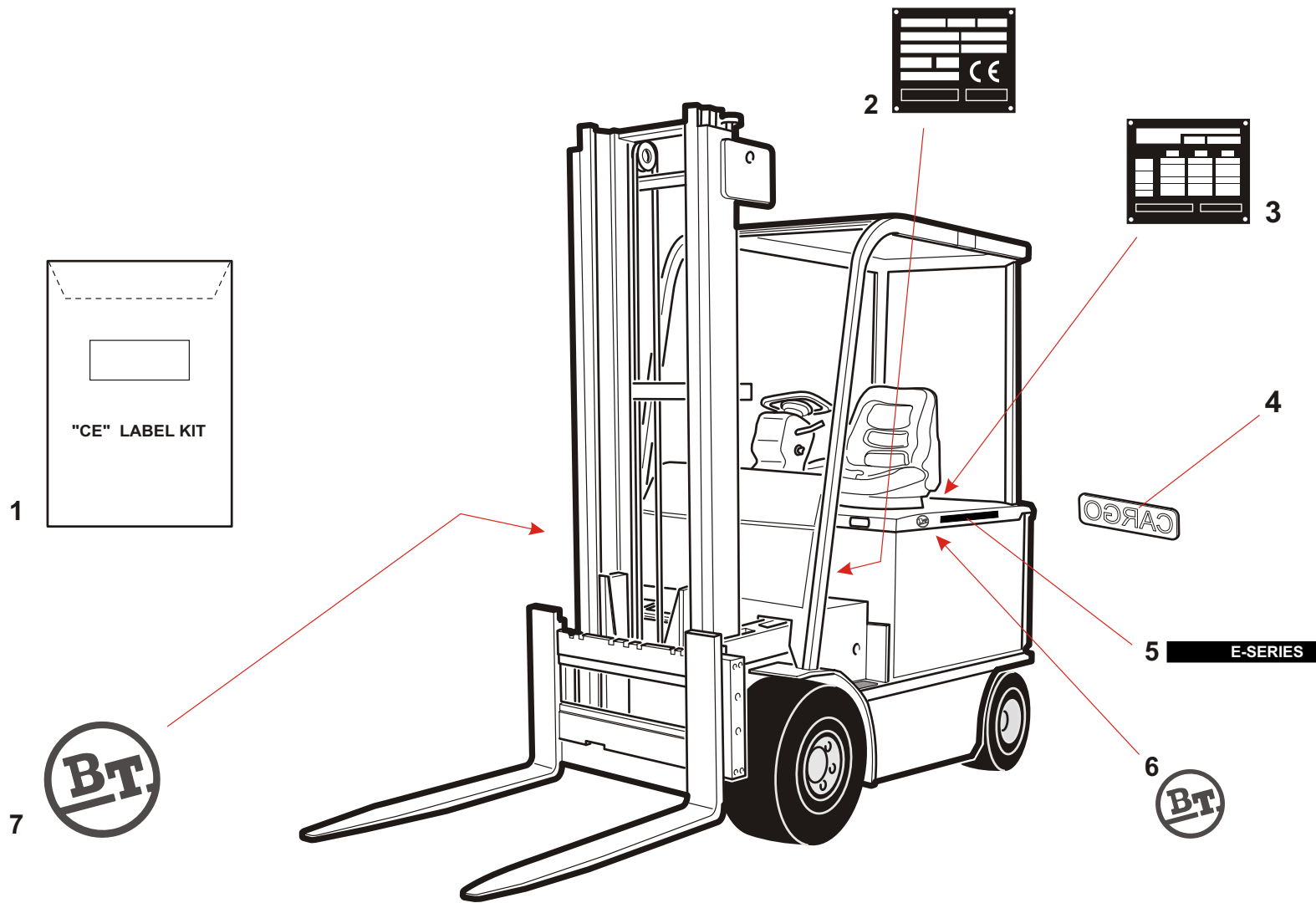
CLICK HERE TO **DOWNLOAD** THE COMPLETE MANUAL

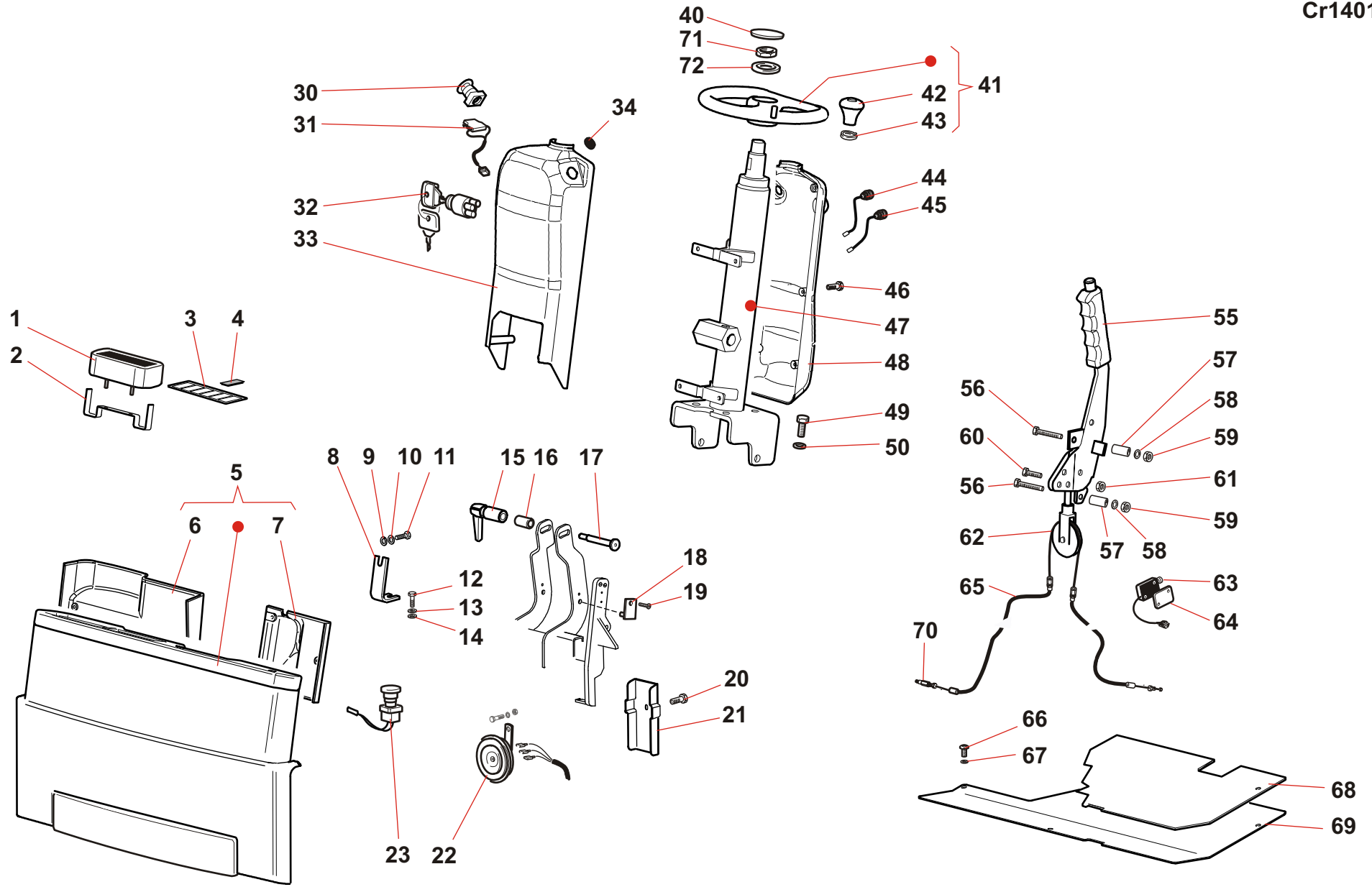
- Thank you very much for reading the preview of the manual.
- You can download the complete manual from: www.heydownloads.com by clicking the link below

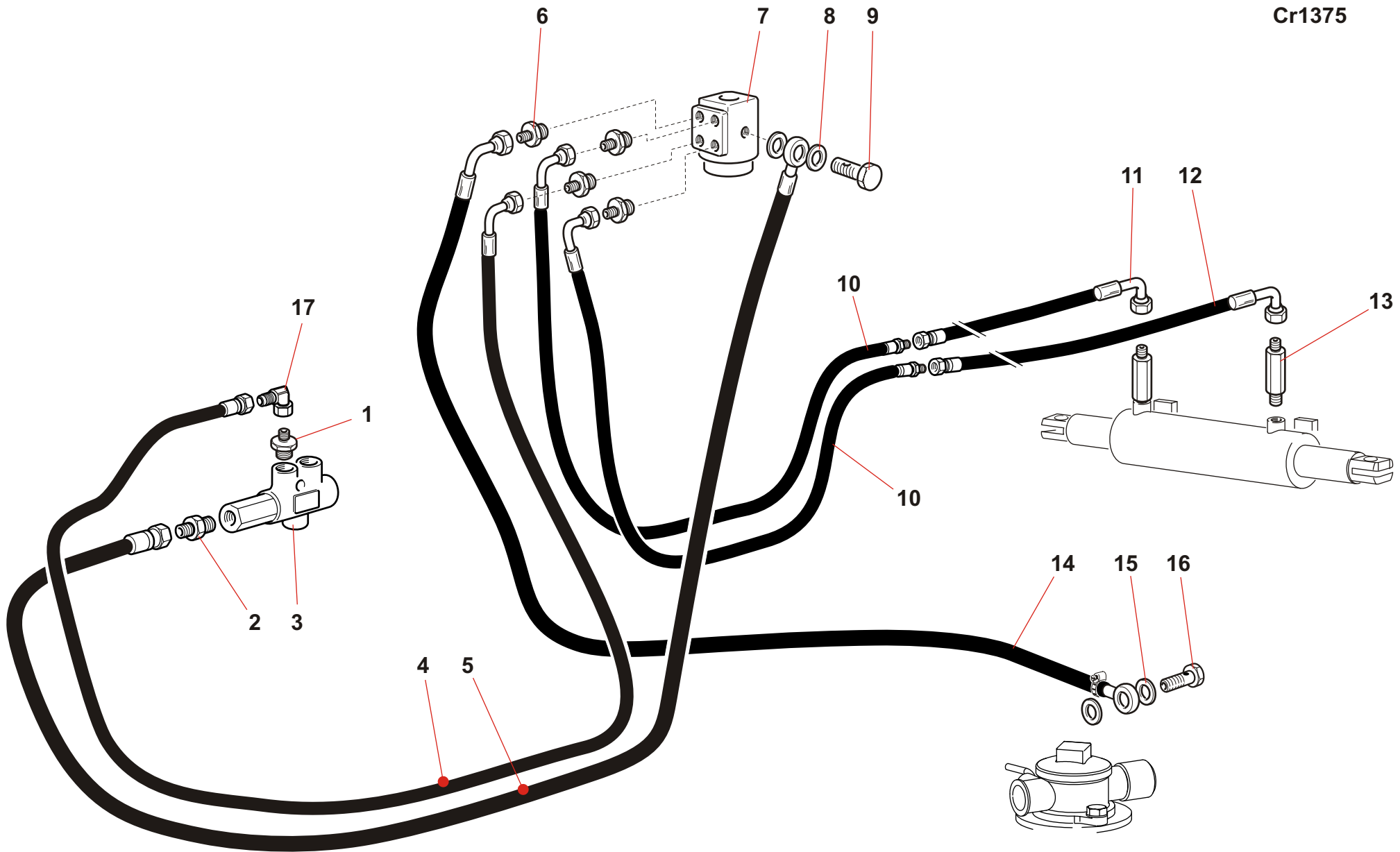


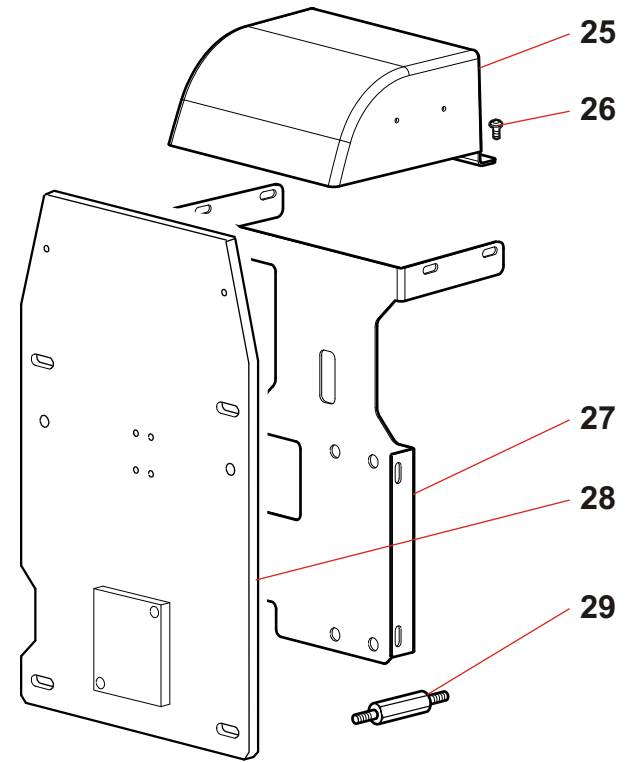
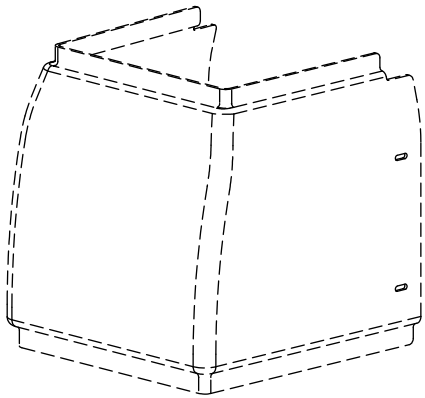
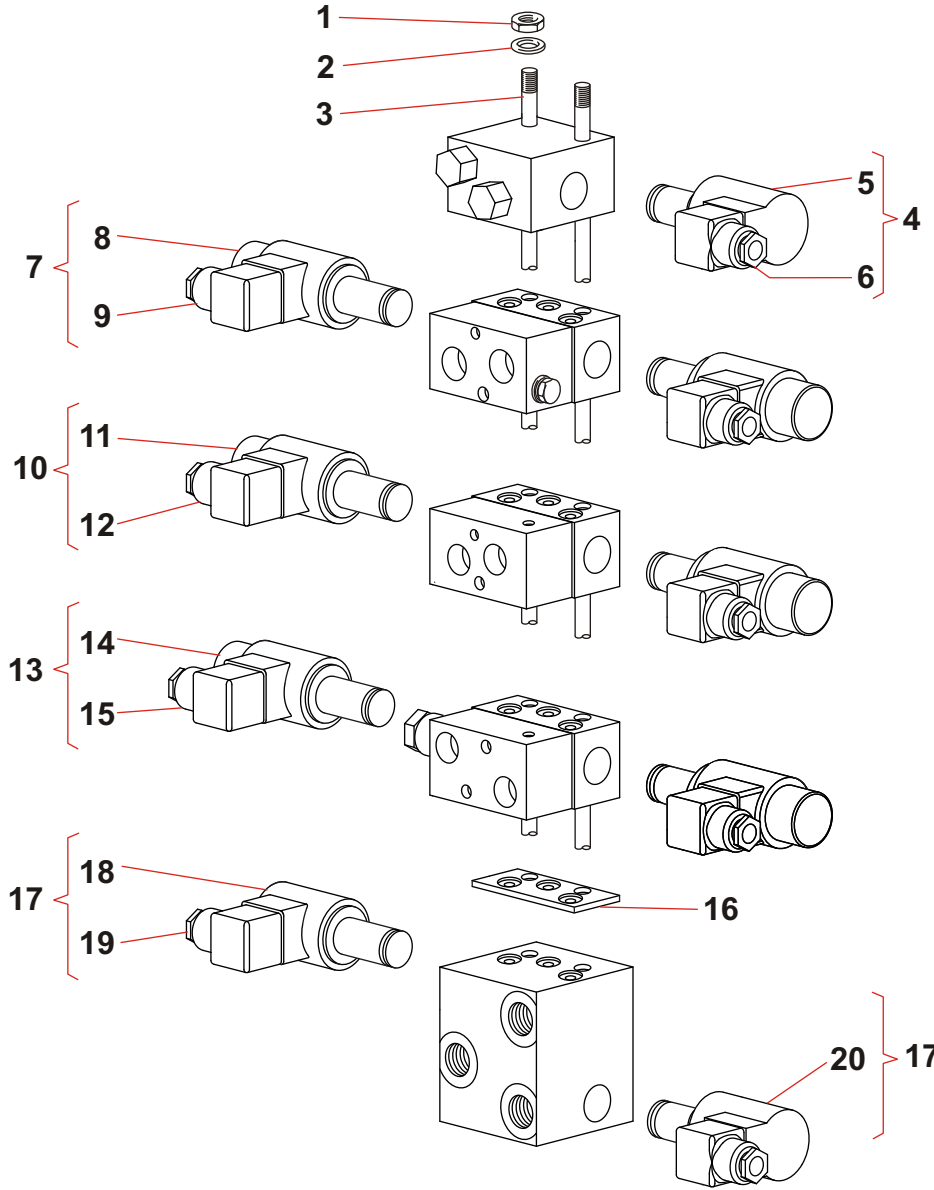
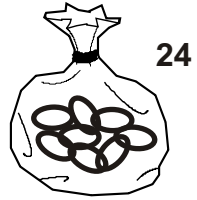
- Please note: If there is no response to CLICKING the link, please download this PDF first and then click on it.

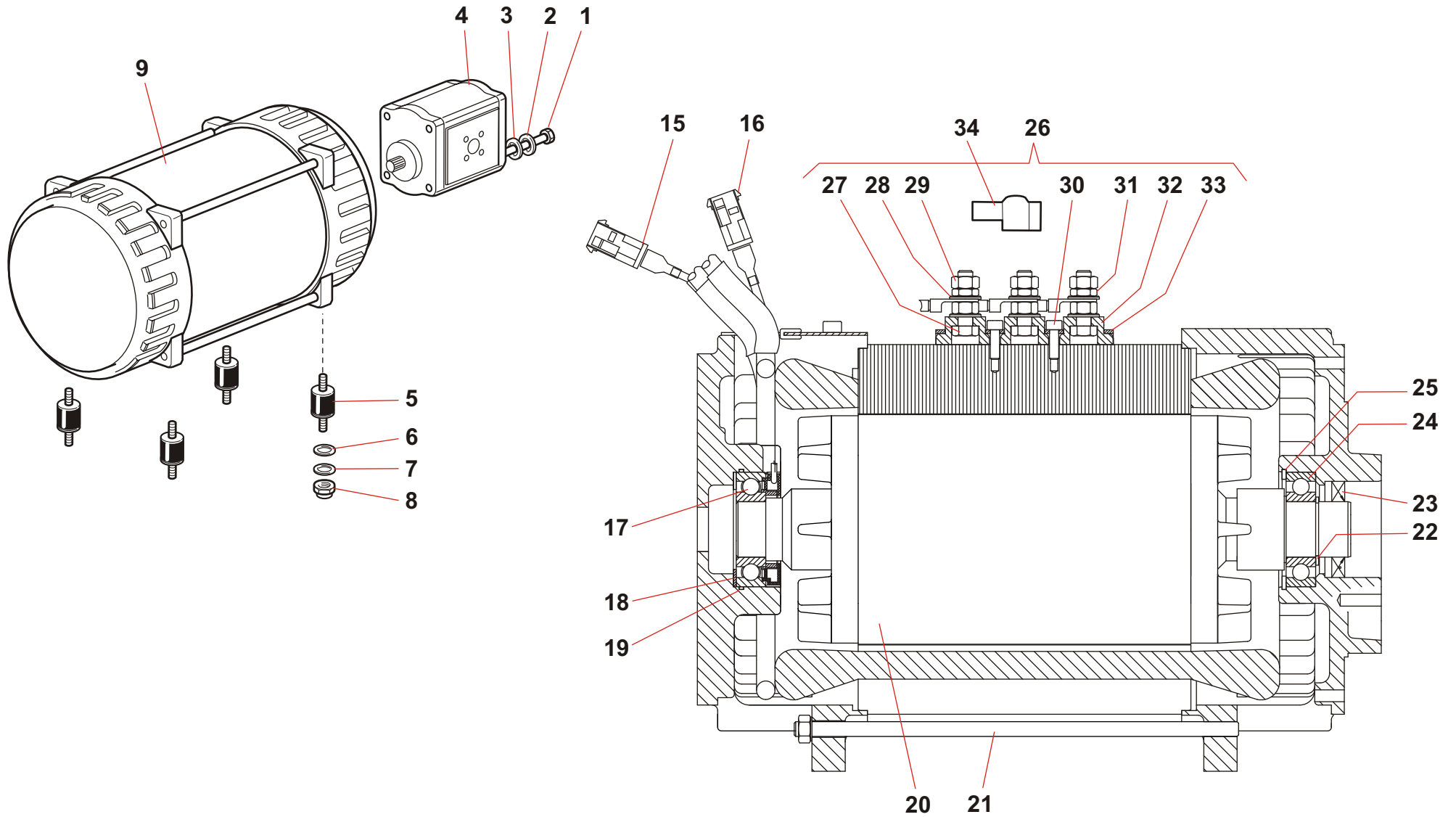
CLICK HERE TO **DOWNLOAD** THE COMPLETE MANUAL

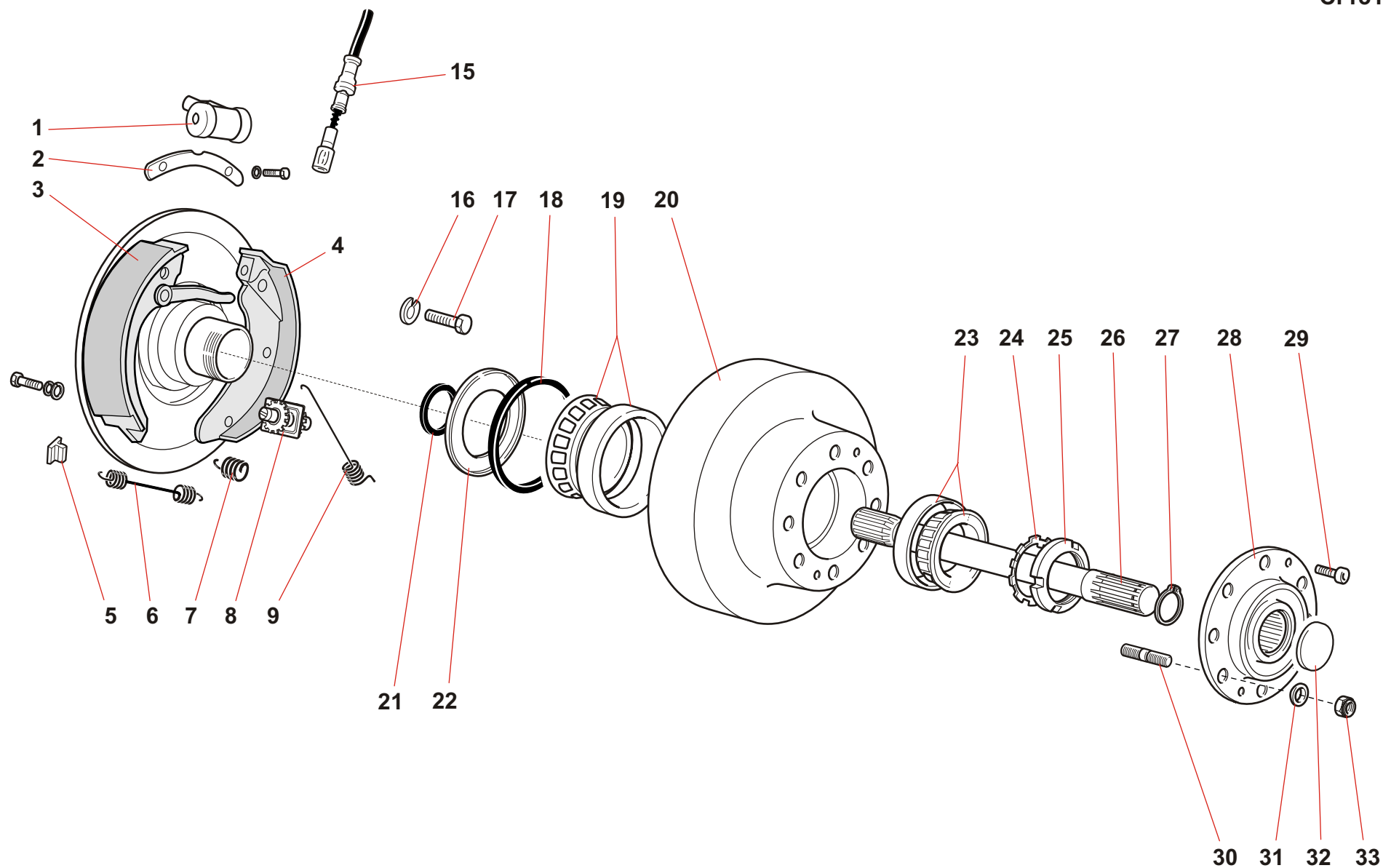


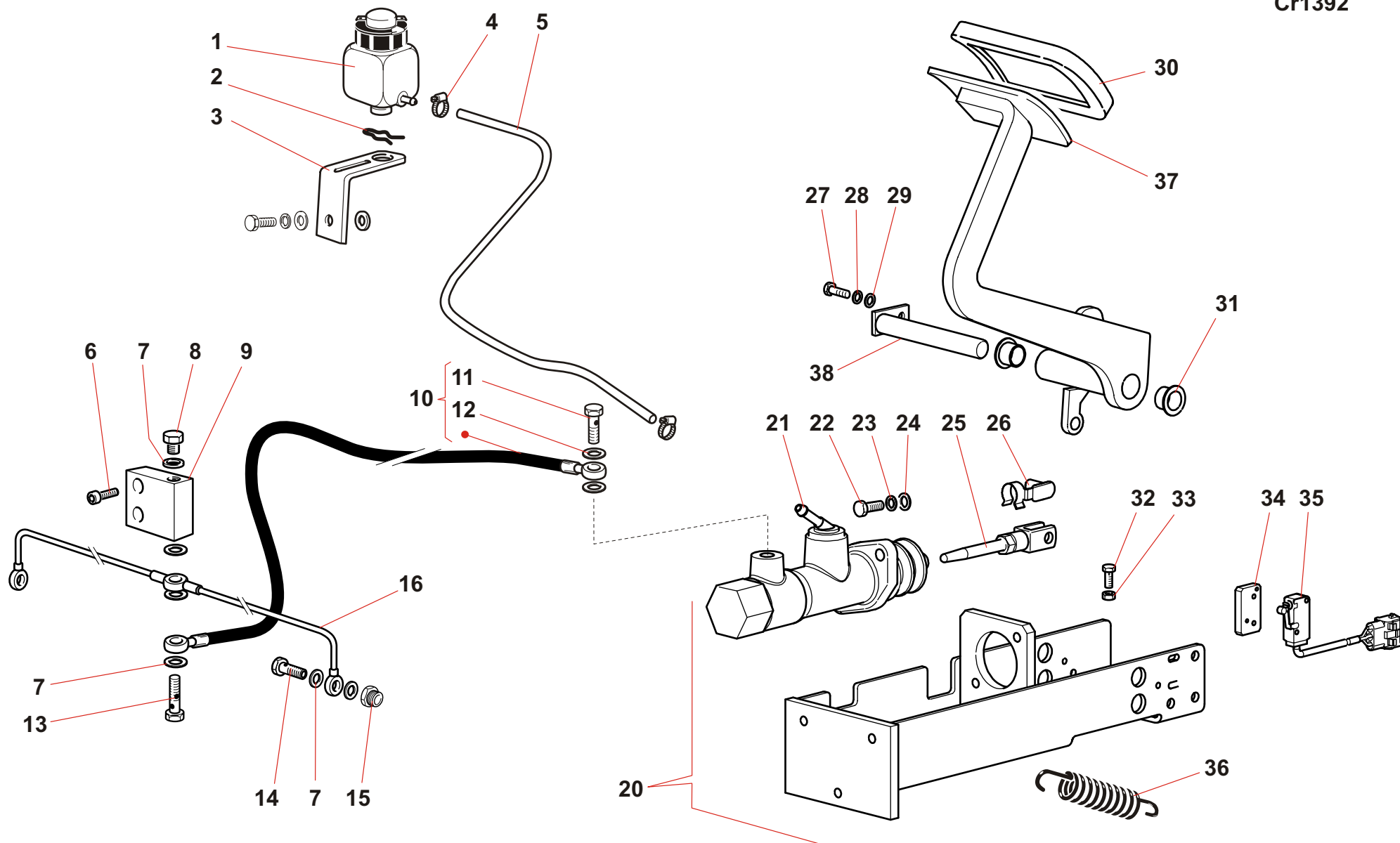


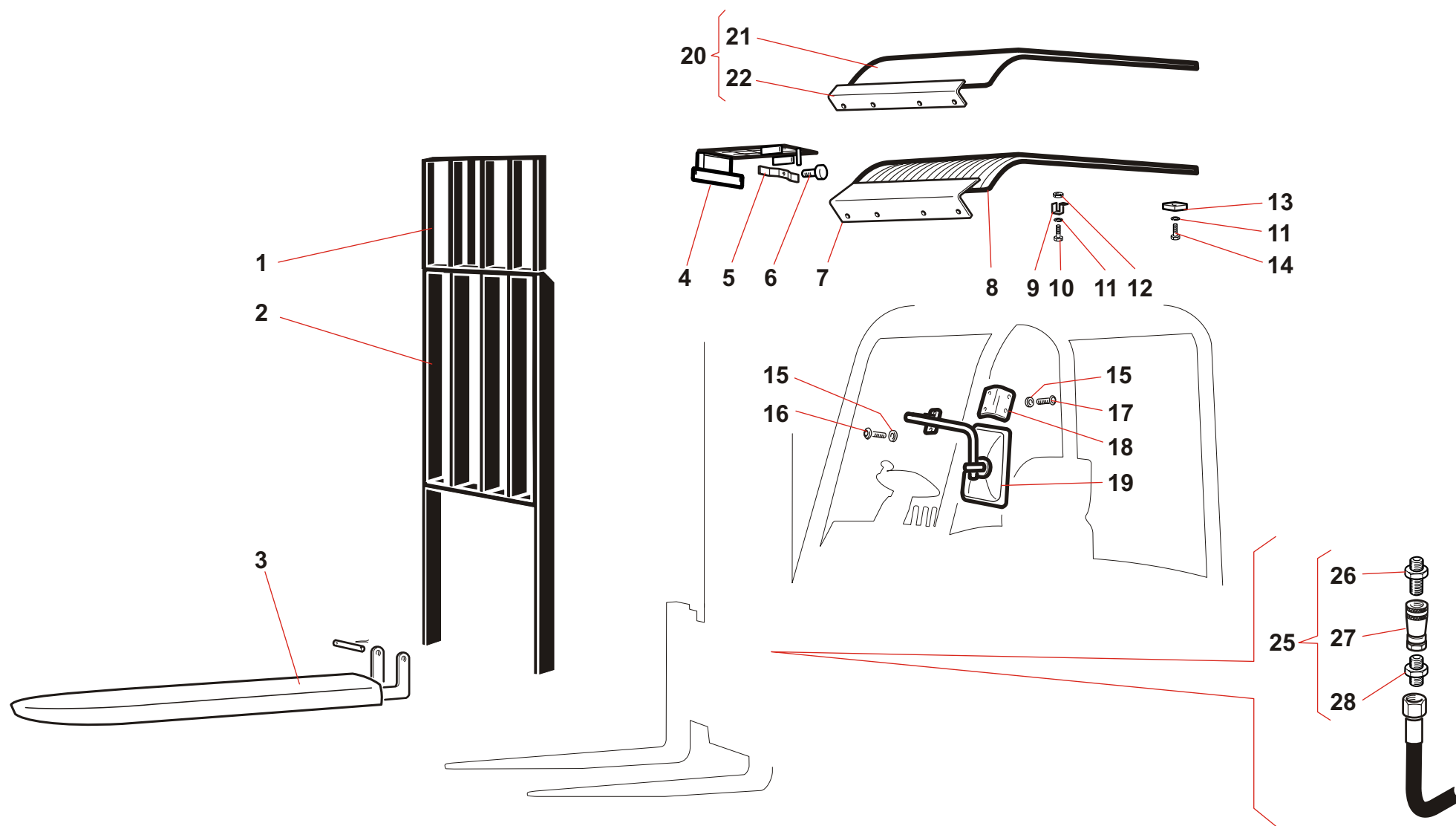


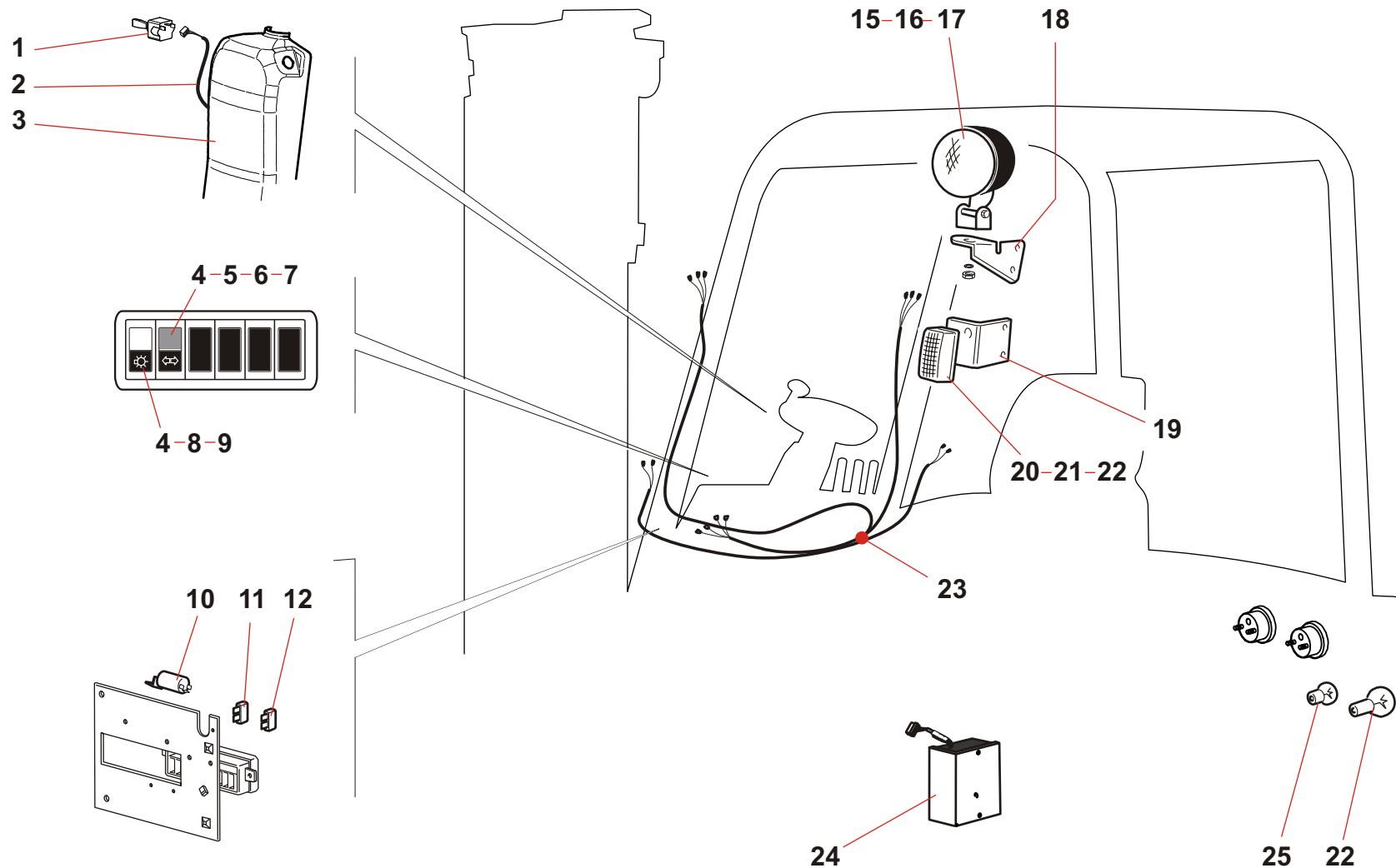












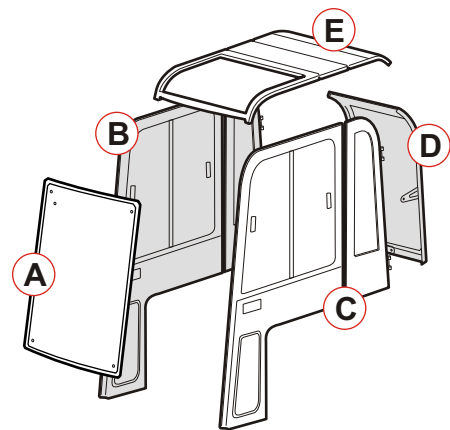
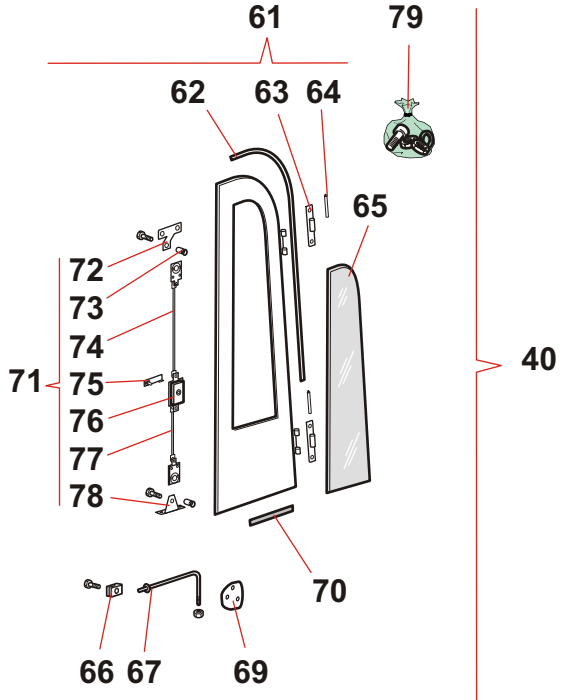
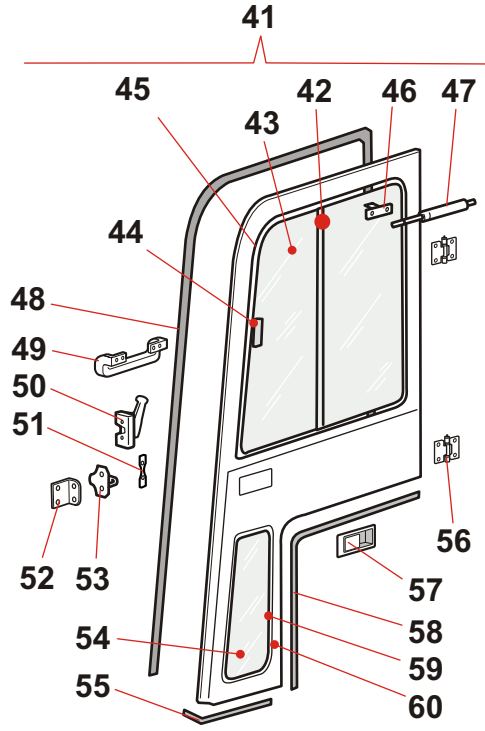
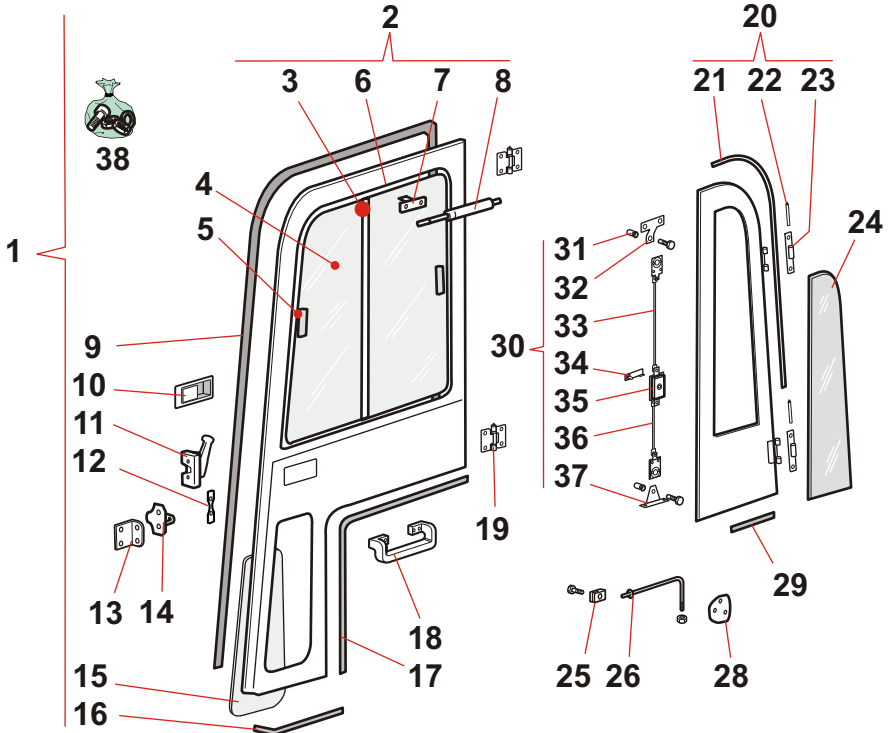
CLICK HERE TO **DOWNLOAD** THE COMPLETE MANUAL

- Thank you very much for reading the preview of the manual.
- You can download the complete manual from: www.heydownloads.com by clicking the link below



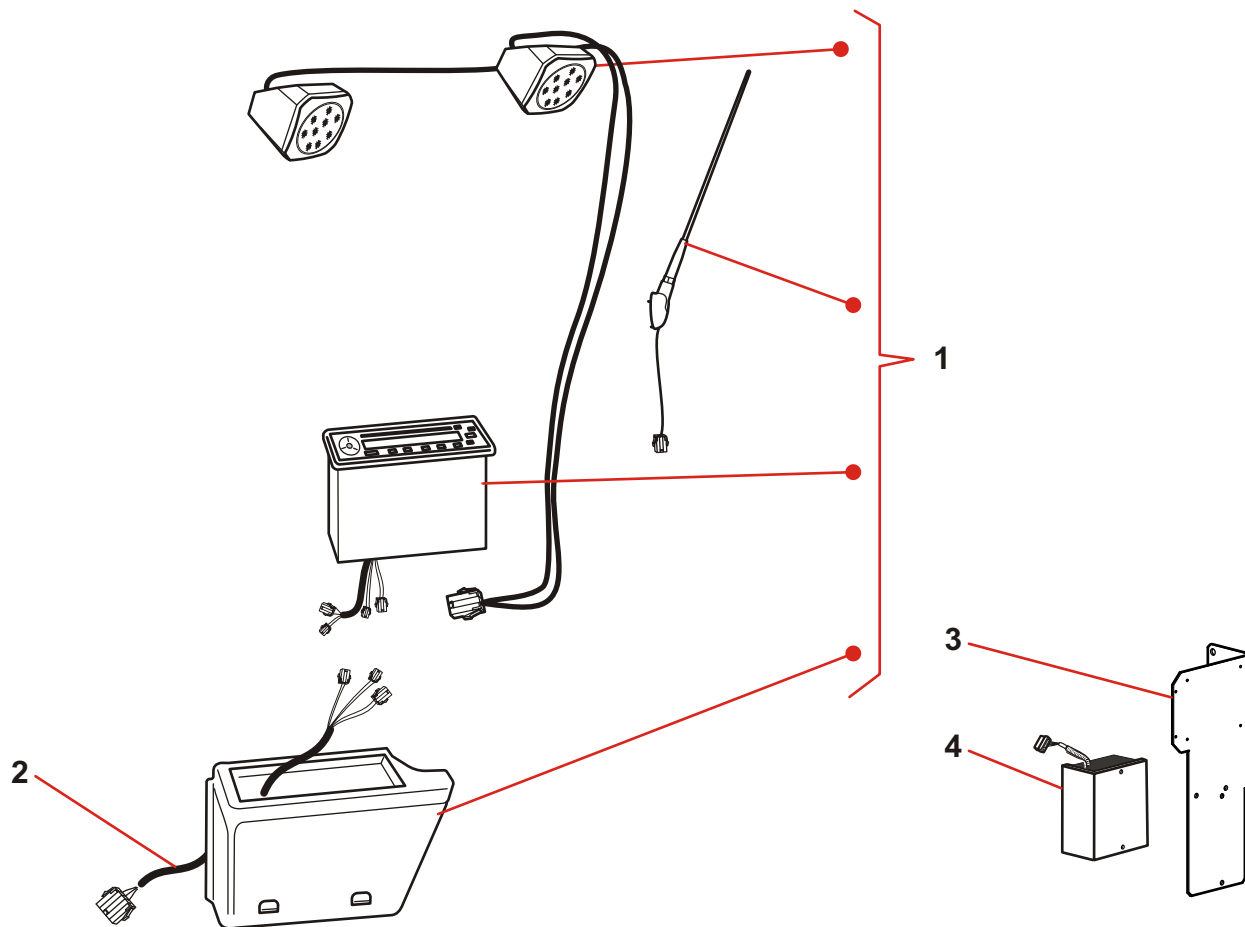
- Please note: If there is no response to CLICKING the link, please download this PDF first and then click on it.

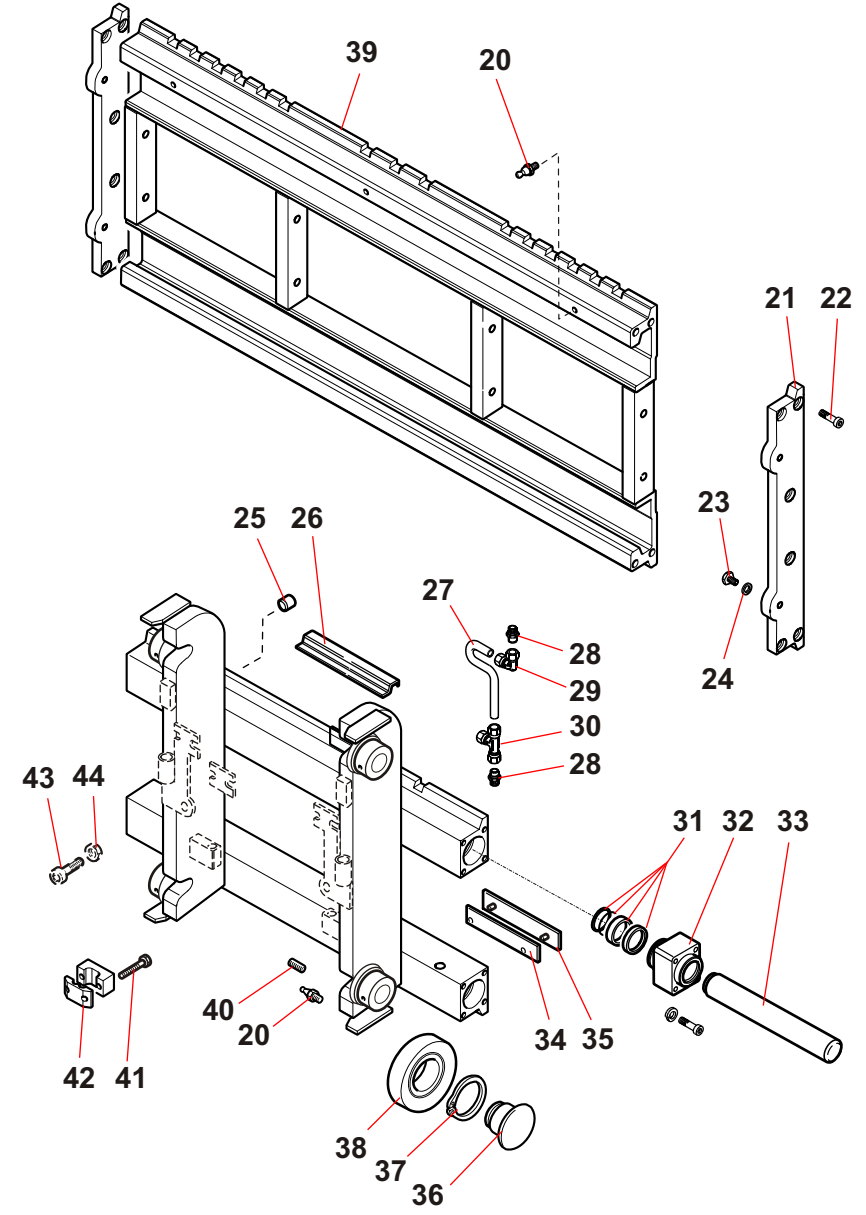
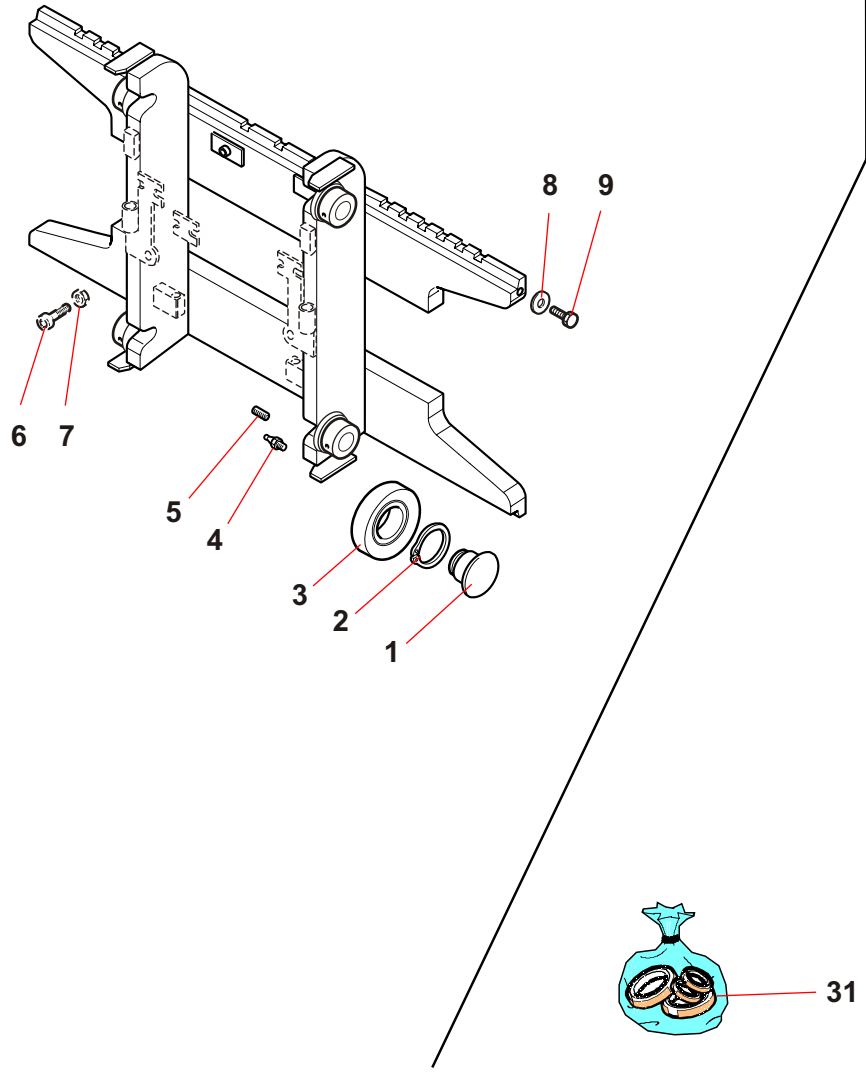
CLICK HERE TO **DOWNLOAD** THE COMPLETE MANUAL

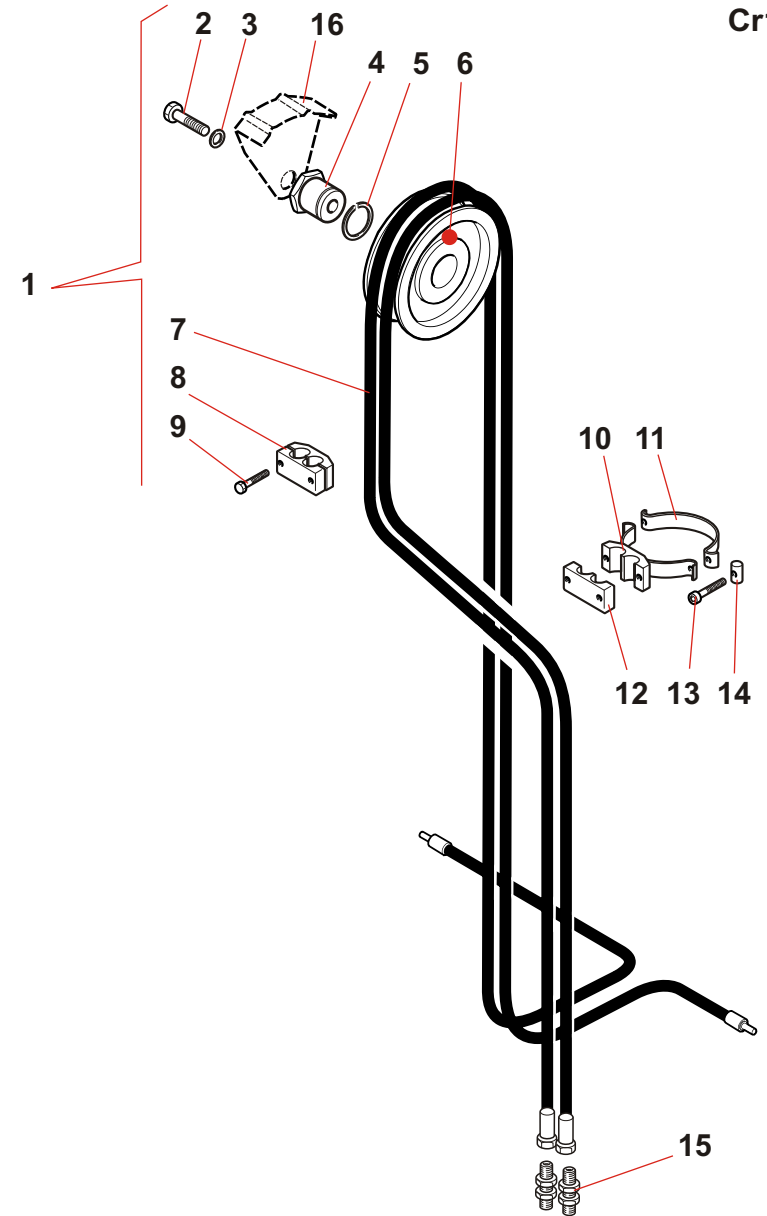
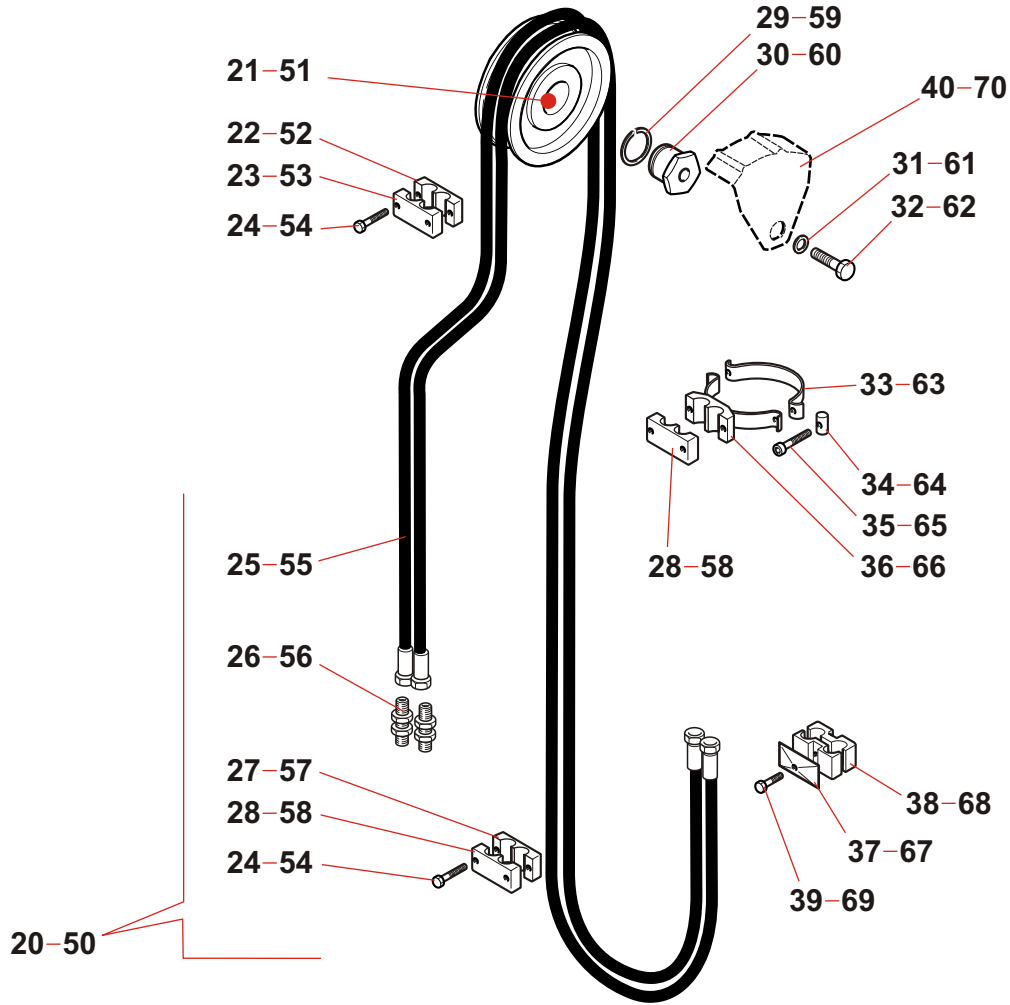


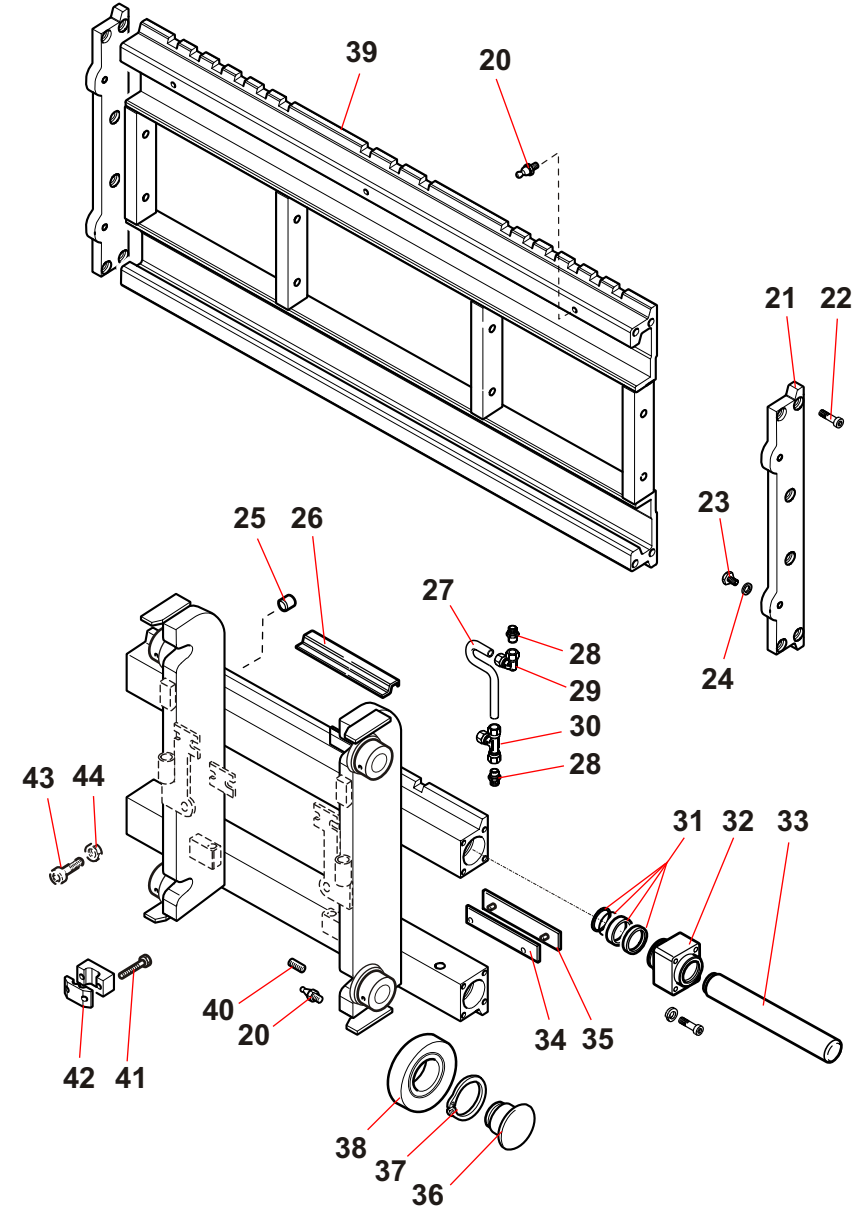
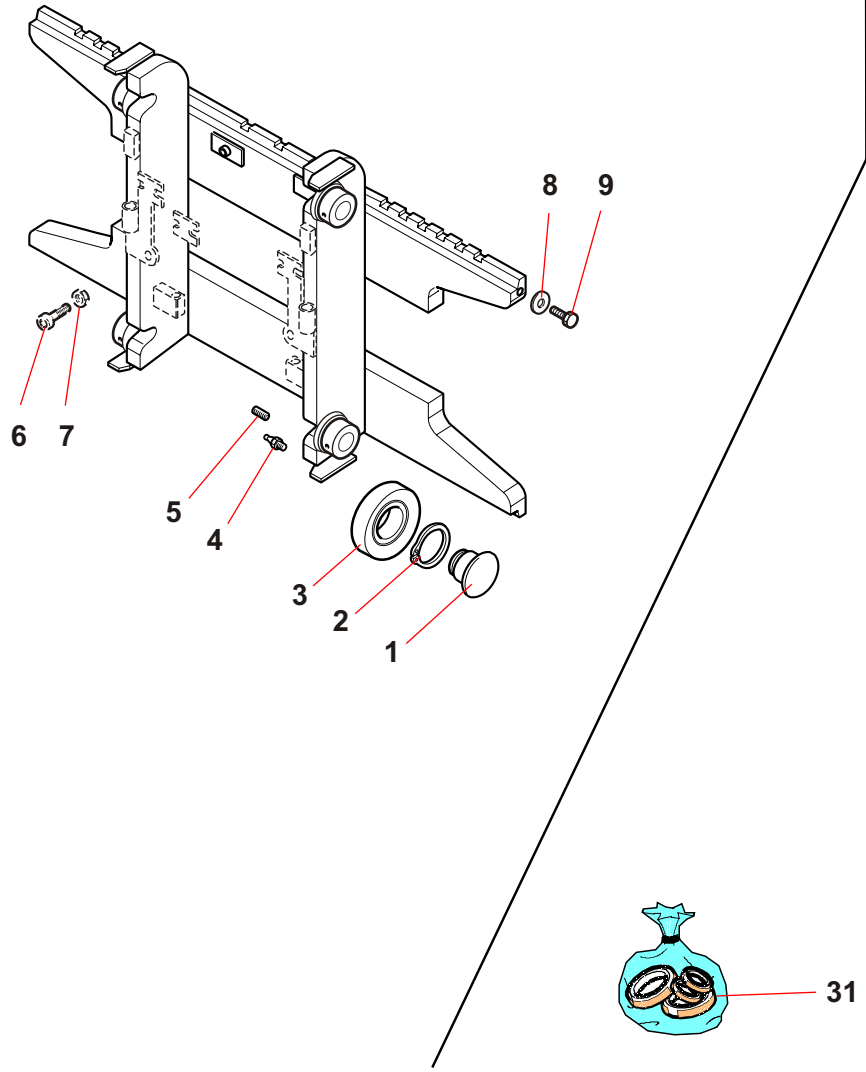
0 = A+B+C+D+E

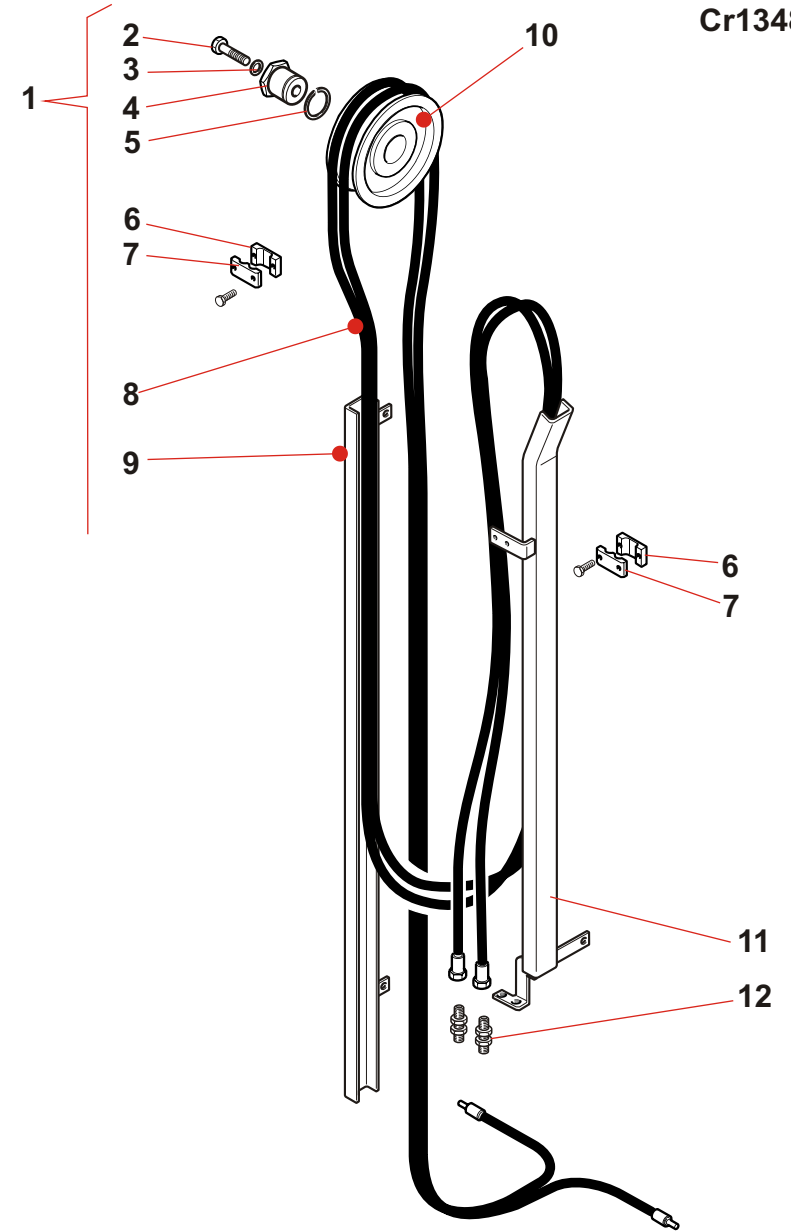
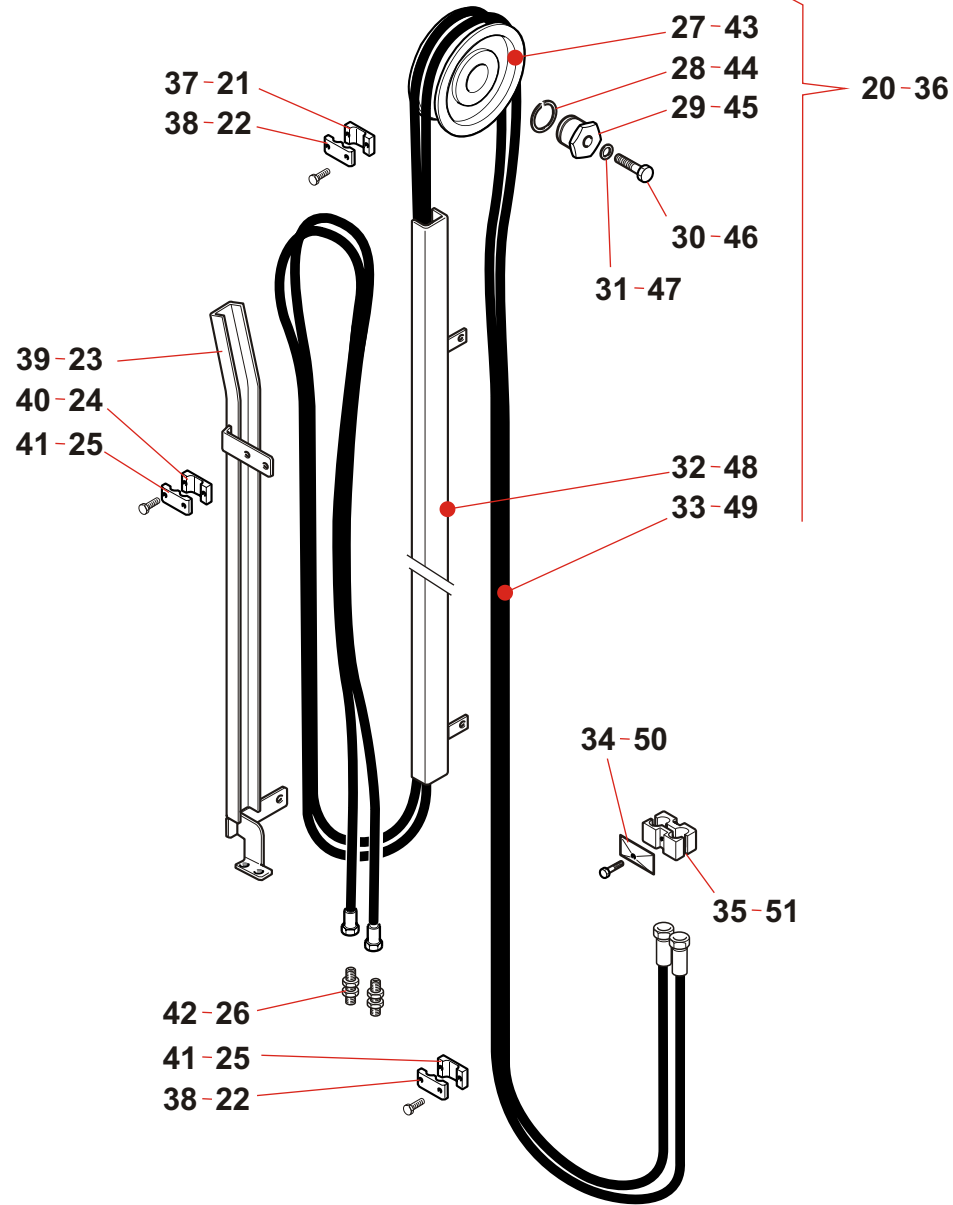


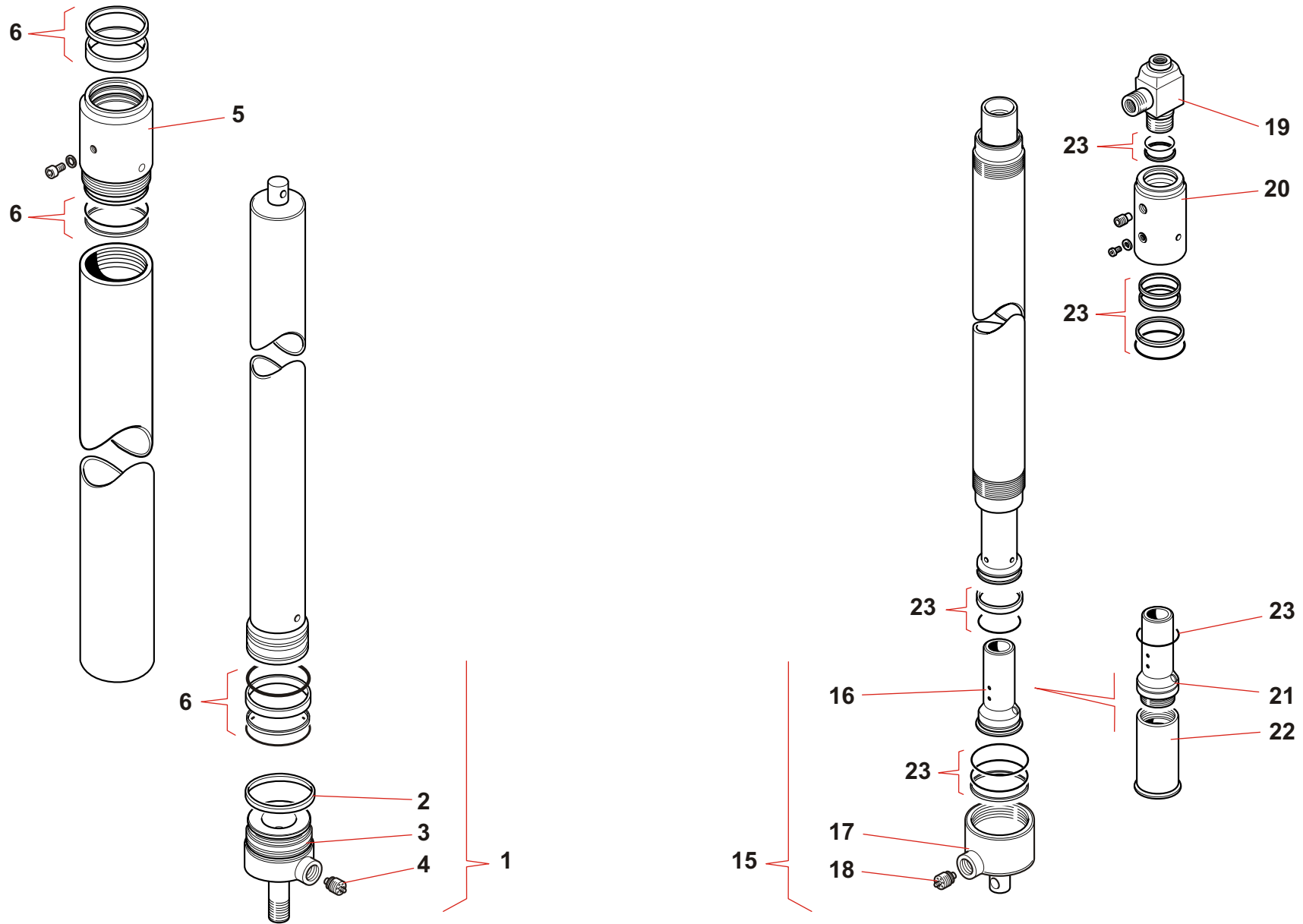


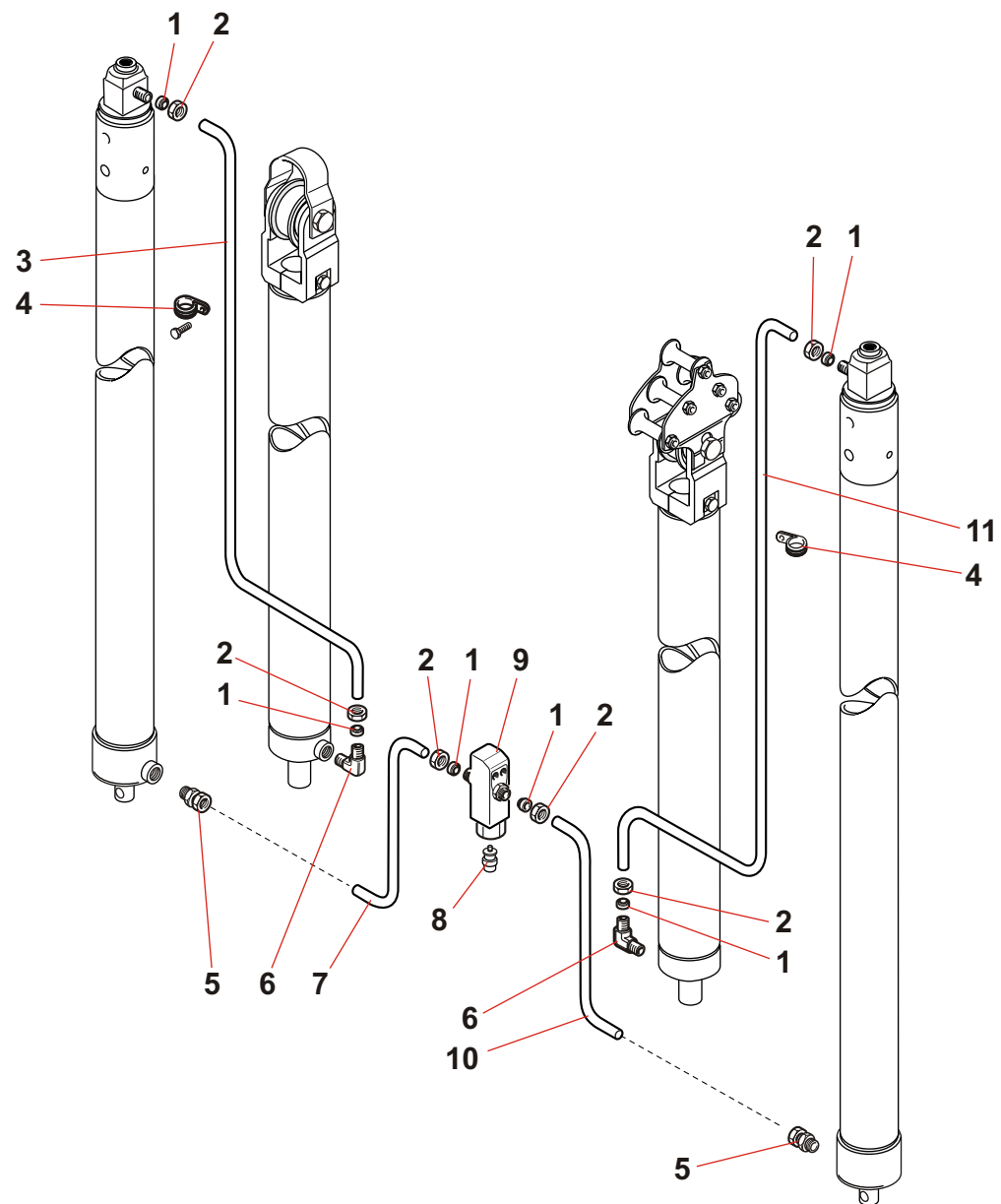


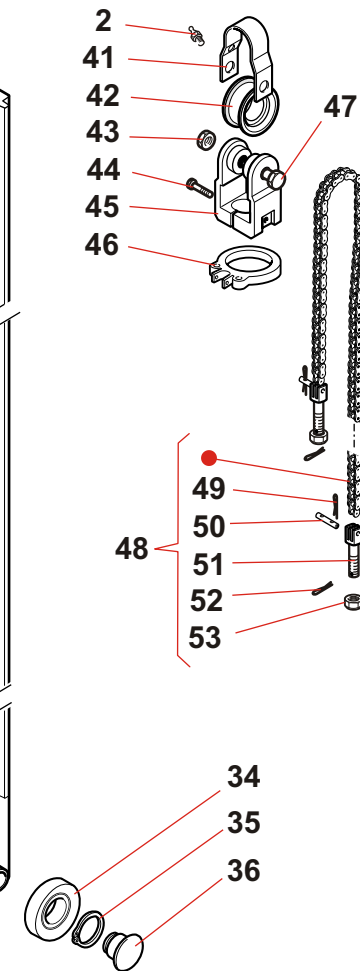
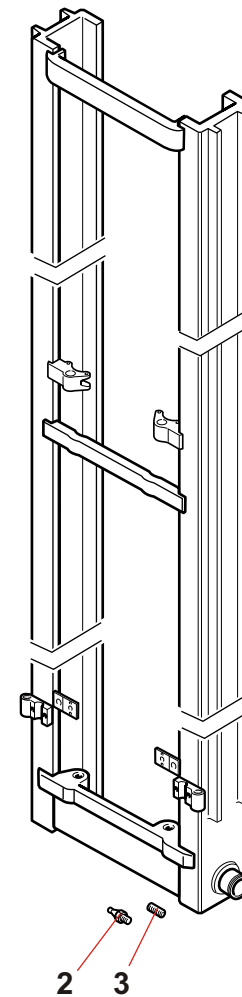
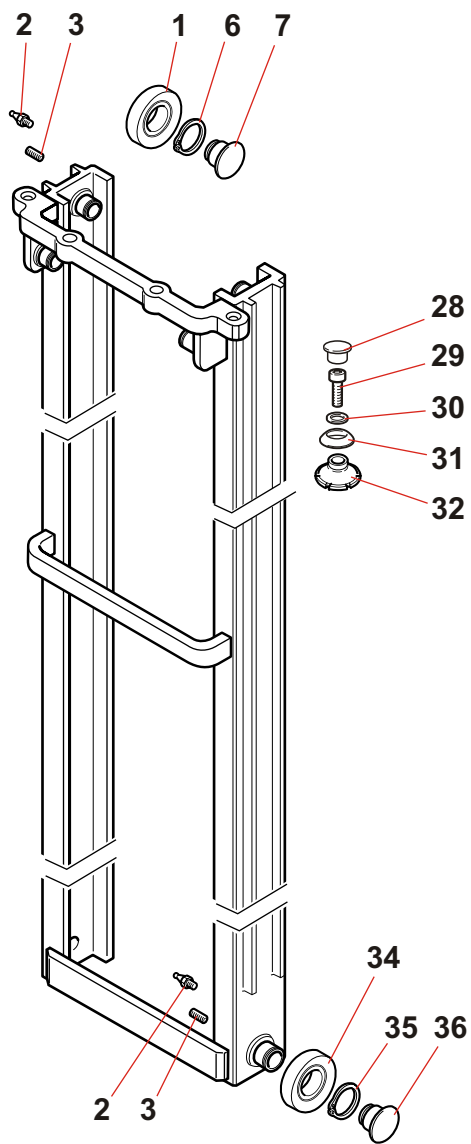
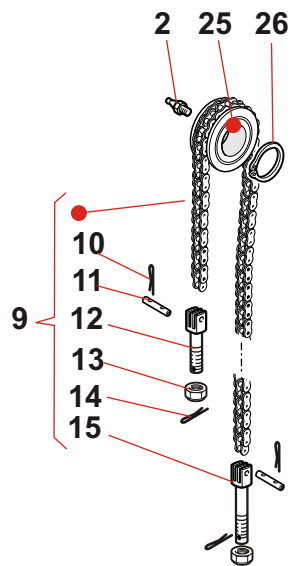
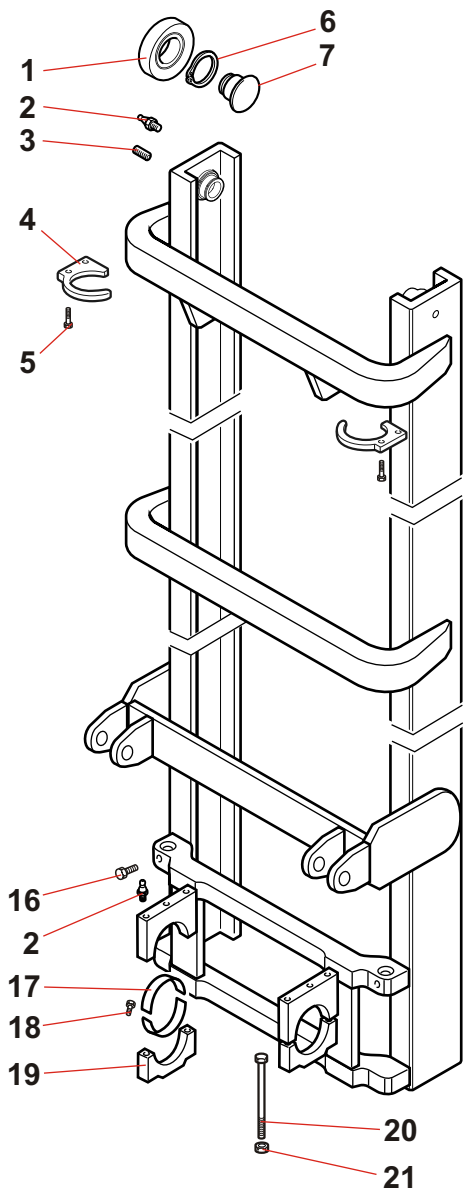


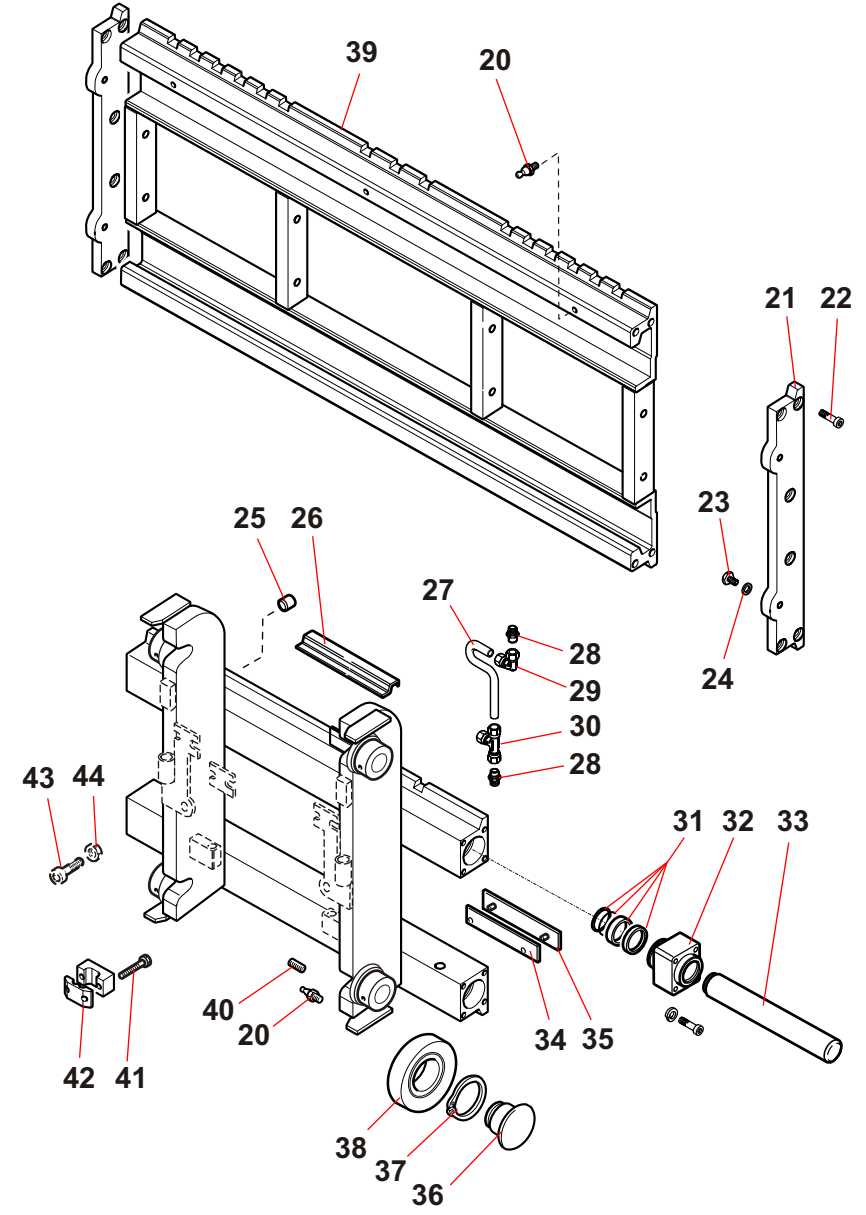
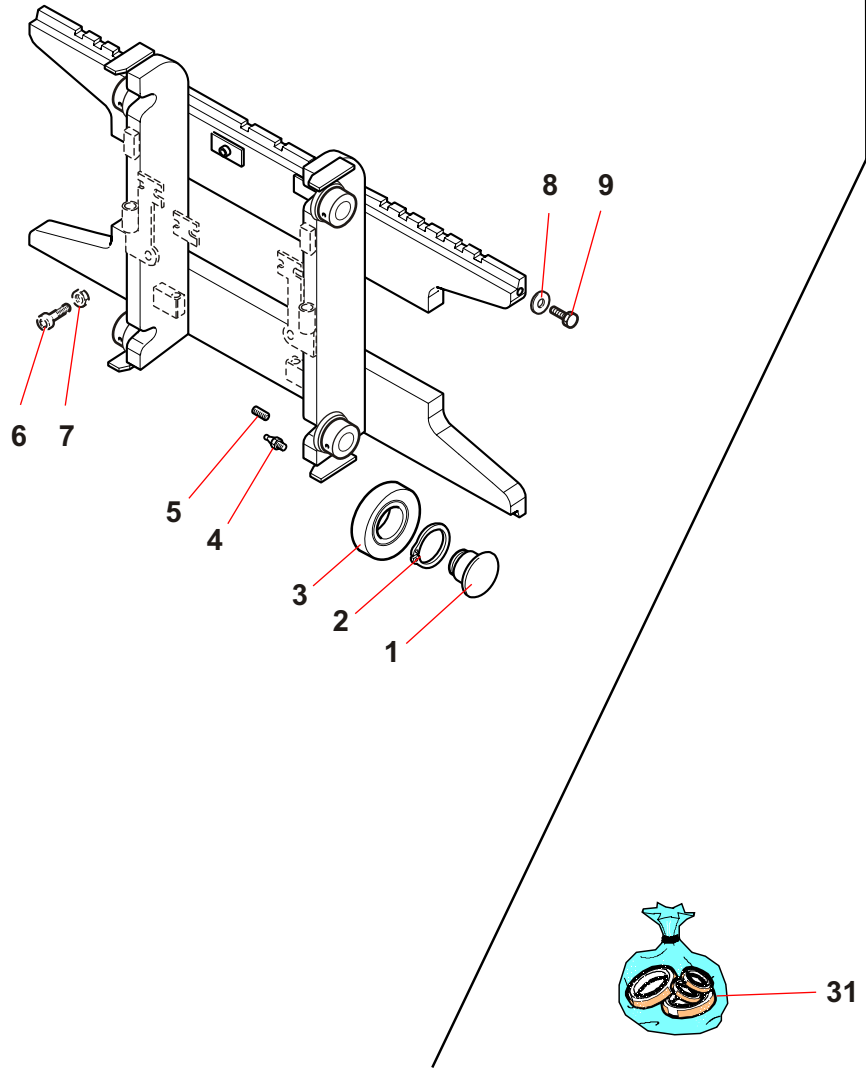


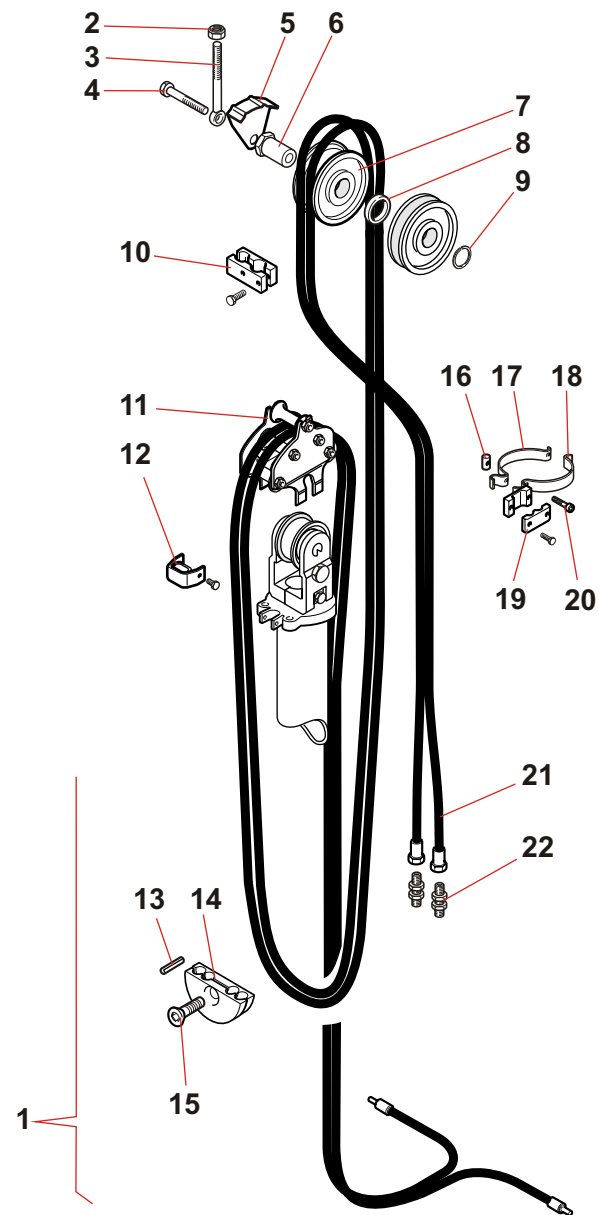
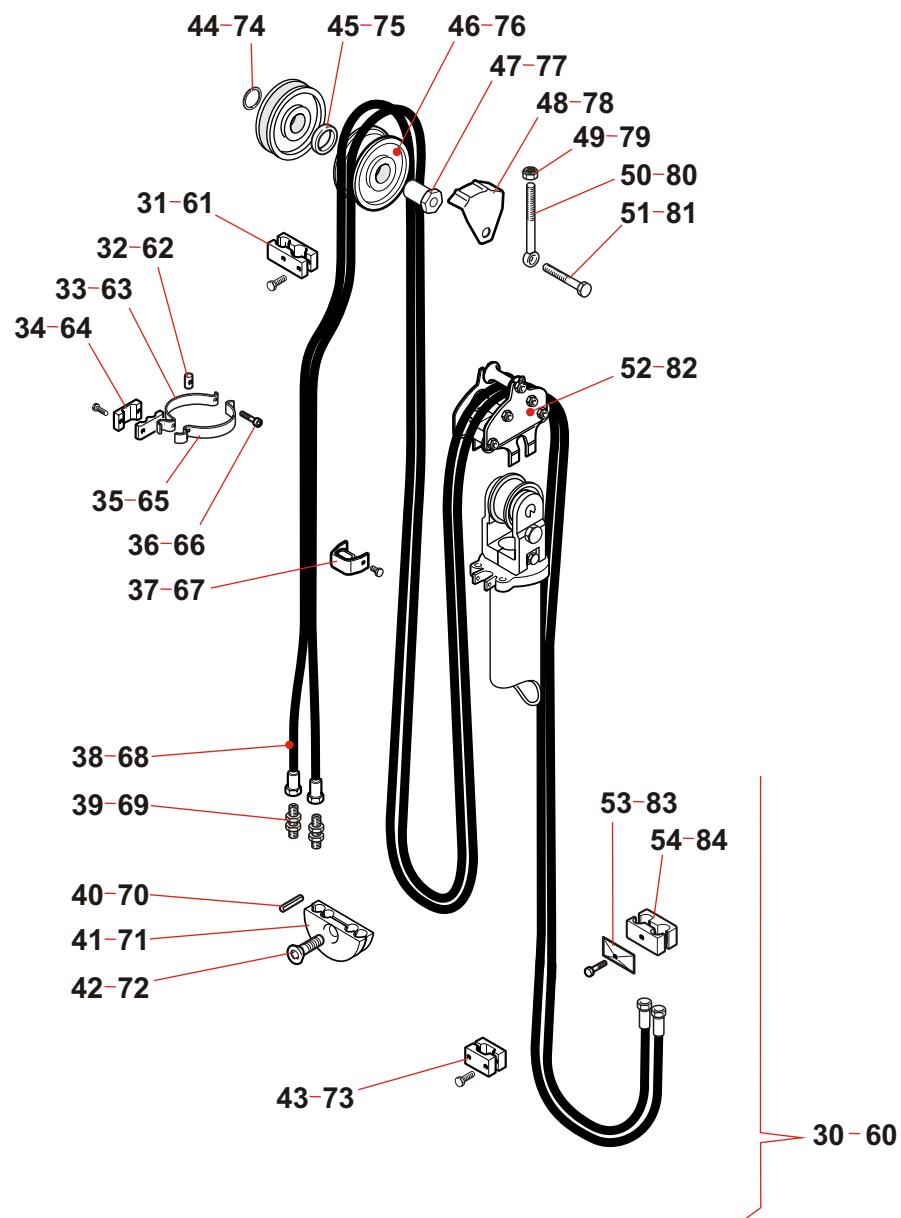












CLICK HERE TO **DOWNLOAD** THE COMPLETE MANUAL

- Thank you very much for reading the preview of the manual.
- You can download the complete manual from: www.heydownloads.com by clicking the link below



- Please note: If there is no response to CLICKING the link, please download this PDF first and then click on it.

CLICK HERE TO **DOWNLOAD** THE COMPLETE MANUAL