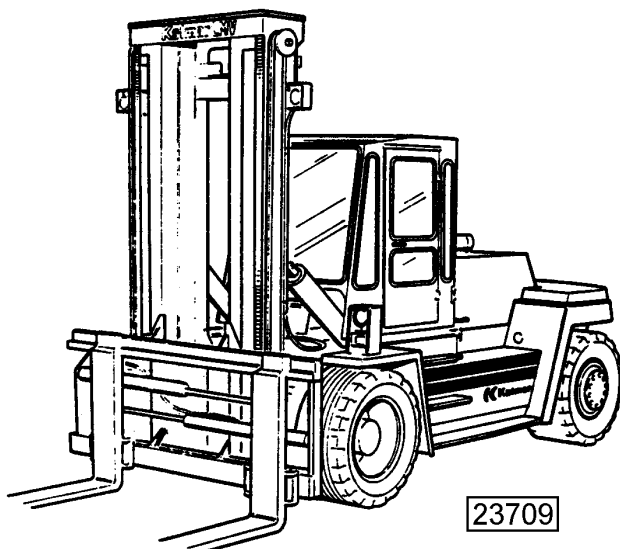


SPARE PARTS CATALOGUE RESERVDELSKATALOG

DC 16/1200 EC SUPPLEMENT



NOTE! Always check the machine card and specifications for your fork lift truck before using this spare parts catalogue.

OBS! Kontrollera alltid truckens maskinkort och ev. maskinspecifikationer innan reservdelskatalogen används.

Machine Card, now to read and use it
NOTE! Important that you read this!
Maskinkort, hur det läses och används
OBS! Viktigt att Du läser detta!

Catalogue Instructions

00

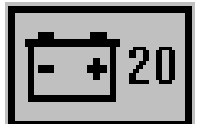
Kataloganvisningar

Truck Body and Cab



Chassi och hytt

Electrical System



Elsystem

Engine and Exhaust System



Motor och avgassystem

Power Transmission



Kraftöverföring, bromsar

Compressed Air System



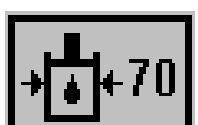
Tryckluftssystem

Steering System



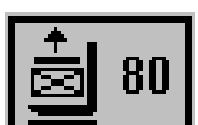
Styrsystem

Hydraulic System



Hydraulsystem

Lifting Mast, Carriage and Forks



Lyftstativ, vagn och gafflar

Miscellaneous Equipment



Övrig utrustning

Numerical Register

99

Nummerregister

CLICK HERE TO **DOWNLOAD** THE COMPLETE MANUAL

- Thank you very much for reading the preview of the manual.
- You can download the complete manual from: www.heydownloads.com by clicking the link below



- Please note: If there is no response to CLICKING the link, please download this PDF first and then click on it.

CLICK HERE TO **DOWNLOAD** THE COMPLETE MANUAL

Issue 101/91

Catalogue instructions

What you should know about the text pages.

1. Group No. specifies the truck part or equipment concerned.
 2. Running page numbers within each group.
 3. Type designation is given on all text pages. In unique catalogues may also the T-No. for the truck be stated.
 4. Section heading in Swedish and English.
 5. Issue No. = a date is changed each time revisions are made on text- or picture page.
 6. Picture No. states the picture corresponding to the text page.
 7. Position No. specifies the correspondance between text- and picture pages.
 8. The quantity of a certian part, within the section heading, is specified here. The quantity column is divided into three spaces and these are sometimes used to state different models, types, sizes etc.
 9. Part No. for the specific detail. To be used when ordering spare parts.
 10. Description columns - in Swedish and English - specify the description for the separate parts. To be used when ordering spare parts. If a part is included in a larger unit, it is displaced to the right below the name of the complete unit and is preceded by one or more "level dots". When a complete unit is ordered, all parts displaced to the right immediately below it, are included.
 11. This column uses the designation "S" if the part is included in a kit. To the extent possible, the complete part number of the kits are included in the section where motivated from the viewpoint of construction.
 12. Section- and line numbers are internal registration definitions.
- State of origin
 0065 = Master catalogue PubNo 920936.0065
 The unique parts catalogue is taken from this master catalogue.
 8000 = From group 80 in Master catal. 0065.
 3500 = From section 3500 in group 80 in Master catalogue 0065.
 For Master catalogues only section No is stated.
 13. Apart from page references, this column also includes explanatory information if various types. Notes which cannot be made here for reasons of space, have been marked with different numbers 1), 2), 3), etc. These numbered remarks are then to be found at the extreme bottom of each page. Abbreviations also occur. see page 4.



Utgåva Issue		Bildnr Picture no		Tiltcylander LB		Tilt cylinder LB		
Pos. Fig.	Antal/Quantity			Art nr Part No	Benämning	Description	Sats Kit	Anmärkning Notes
	4576 93. 0100	4576 93. 0200	4576 93. 0300	9	10	10		13
1	1	1	1	457693.0100 457693.0200 457693.0300	Tiltcylander Tiltcylander Tiltcylander	Tilt cylinder Tilt cylinder Tilt cylinder		KPL SL = 310 KPL SL = 245 KPL SL = 155
2	1	1	1	357695.0100	.Cylinderrör	.Cylinder pipe		
3	1	1	1	457696.0100	.Kolvstång	.Piston rod		
				A03725.0100	.Kolvstång	.Piston rod		
4	1	1	1	454452.1300	..Packingssats	..Gasket kit		
5	1	1	1	922553.0017	..Styrning	..Guide	S	11
6	1	1	1	96033	..Kolv tätning	..Piston seal	S	
7	2	2	2	922553.0010	..Kolvstångsstyrning	..Piston rod guide	S	

12
0065
8000
3500

6

7

12
0030
0040
0060
0065
0080
0100
0120
0140

8

3

4

DC 18-25N

1

2

Grupp Sida
Group Page
80 77

Reservdelar - Spare parts
30
1

0001	Utgåva Issue 930505	Motor och avgassystem	Engine and exhaust system	
				Sida Page
0020	Motor se r-katalog 8-16DC gr 30		Engine see parts catalogue 8-16DC gr 30	
0040				
0060	Luftrenarsystem, TOM -T330121282		Air cleaning system, Up to -T330121282	3
0080	för HJB=4000, 457725.0100		for HJB=4000, 457725.0100	
0100	Luftrenarsystem, FROM T330121283-,		Air cleaning system, From T330121283-,	5
0120	A02218.0100		A02218.0100	
0140	Luftrenarsystem Donaldsson A02218.0200		Air cleaning system Donaldsson	7
0160			A02218.0200	
0180				
0200	Avgassystem 457727.0100		Exhaust system 457727.0100	9

Reservdelar - Spare parts
70
1

			Sida Page	
0001	Utgåva Issue 930505	Hydraulsystem	Hydraulic system	
0020	Styrpump, styrventil och styrcylinder		Steering pump, -valve and -cylinder	3
0040				
0060	Hydraulservosystem		Hydraulic servo system	5
0080				
0100	Lyftstativ, duplex		Lifting mast, duplex	
0120	•Huvudventil 4 och 5-sektions med tilt-		•Main valve 4 and 5-sections with	7
0140	Funktion, returslangar och CP-lyft-		Tilt function, return hoses and	
0160	Cylinder		CP-lifting cylinder	
0180				
0200	Övriga detaljer se 8-16DC r-katalog		Other components see 8-16DC parts cat.	

Reservdelar - Spare parts

0100	Utgåva Issue		Bild nr Picture No		Lyftstativ, Duplex frisikt 458814.xxxx		Lifting mast, Duplex free sight 458814.xxxx	
	930505	14141						
Pos. Fig.	Antal/Quantity			Art nr Part No	Benämning	Description	Sats Kit	Anmärkning Notes
0020	1	1		458814.XXXX	Lyftstativ	Lifting mast		2)
0040	2	1		458815.XXXX	•Ytterstativ	•Outer mast		2)
0060	3	1		451734.XXXX	•Innerstativ	•Inner mast		2)
0080	4	4			•Stativhjul	•Mast wheel		DRAW.NO 409359-0100
0100					Se gr 80, sida 7	See gr 80, page 7		
0120	5	4		407269.0500	•Stöd	•Support roller		SEE GR 80, PAGE 9
0140	6	2		158337.XXXX	•Lyftcylinder	•Lifting cylinder		SEE GR 80, PAGE 13
0160	7	8		2618	•Mutter	•Nut		
0180	8	2		IB4029	•Distansring	•Spacer ring		
0200	9	2		2575	•Lager	•Bearing		
0220	10	2		251739.0100	•Stöd	•Support		
0240	11	6		920042.081	•Skruv	•Screw		
0270	12	2		309354.0600	•Toppstöd	•Top support roller		SEE GR 80, PAGE 11
0280	13	8		920728.147	•Skruv	•Screw		
0300	14	ERF		409423.0100	•Justermellanlägg	•Shim		TJL=1
0320		ERF		409423.0300	•Justermellanlägg	•Shim		TJL=3
0340	15	2		405939.002	•Kedjesträckare	•Chain tightener		
0360	16	2		920076.010	•Låsmutter	•Lock nut		
0380	17	2		95008	•Saxpinne	•Split pin		
0400	18	ERF		920089.004	•Kedja std-längd 5 m	•Chain std-length 5 m		73)2",METERVARA
0420	19	2		406210.002	•Axel	•Shaft		
0440	20	2		95007	•Saxpinne	•Split pin		
0460	21	2		406534.001	•Kedjehjul	•Chain wheel		KPL
0480	22	2		405815.001	•Kedjehjul	•Chain wheel		
0500	23	4		920372.002	•Kullager	•Ball bearing		
0520	24	ERF		920370.001	•Bricka	•Washer		
0540	25	2		405971.005	•Axel	•Shaft		L=261MM
0545		1		405971.006	•Axel	•Shaft		L=293MM
0550		1		405971.009	•Axel	•Shaft		L=355MM
0555		1		405971.002	•Axel	•Shaft		L=171MM
0560	26	4		5517	•Spärring	•Retaining ring		
0630	27	4		923119.0001	•Slanghjul	•Hose wheel		KPL
0640	28	ERF		407068.0100	•Distans	•Spacer		
0660	29	2		920069.022	•Stoppsskruv	•Stop screw		
0680	30	ERF		308149.0100	•Slangskydd	•Hose protection		2 SLANGHJUL/HOSEWHEEL
0685		ERF		308149.0300	•Slangskydd	•Hose protection		4 SLANGHJUL/HOSEWHEEL
0690		ERF		308149.0600	•Slangskydd	•Hose protection		6 SLANGHJUL/HOSEWHEEL
0700	31	4		920099.065	•Skruv	•Screw		
0720	32	2		2564	•Lager	•Bearing		
0740	33	2		2585	•Spärring	•Retaining ring		
0770	34	2		160	•Smörjnippel	•Lubricant nipple		
0780	35	2		450523.0100	•Lamphållare	•Lamp holder		-LH=4500
0800		ERF		450524.0100	•Lamphållare	•Lamp holder		LH=4750-
0820	36	ERF		920042.005	•Skruv	•Screw		
0840	37	ERF		409841.0100	•Slanghållare	•Hose holder		4 SLANGAR/4 HOSES
0845		ERF		409841.0200	•Slanghållare	•Hose holder		6 SLANGAR/6 HOSES
0860	38	ERF		920800.0004	•Klammer	•Clamp		Ø20+20, PLASTIC
0870		ERF		352670.0500	•Klammer	•Clamp		Ø20+20, METALL/METAL
0880	39	ERF		920799.0003	•Platta	•Plate		FÖR 920800-0004
0890	40	ERF		920074.105	•Skruv	•Screw		FÖR 920800-0004
0895		ERF		920099.073	•Skruv	•Screw		FÖR 352670-0100
0901	41	2		409691.0200	•Stöd	•Support roller		BAKRE/REAR KPL
0902	42	2		EB4025	•Rulle	•Roller		
0903	43	4		3191	•Lagerbussning	•Bearing bushing		
0904	44	4		EB4219	•Öra	•Ear		

2. Vid beställning angiv truckmodell, tillverkningsnummer och lyfthöjd. When ordering state FLT type, manufacturing number and lifting height.

73. Lagerföres i standardlängder. Kan mot pristillägg, även levereras i speciallängder. Stored in standard lengths. Can also be delivered in special lengths with a price addition.

Reservdelar - Spare parts

Pos. Fig.	Antal/Quantity			Art nr Part No	Benämning	Description	Sats Kit	Anmärkning Notes
0400	Utgåva Issue	Bild nr Picture No		Lyftcylinder komplett Ø160,DUP 158337-xxxx	Lifting cylinder complete Ø160,DUP 158337-xxxx			
0020	1	1		158337.XXXX	Lyftcylinder	Lifting cylinder		2)KPL
0040	2	1		257522.XXXX	•Cylinderrör	•Cylinder pipe		2)KPL
0060	3	1		358338.XXXX	•Kolvstång	•Piston rod		2)KPL
0080	4	1		454452.5300	•Packingssats	•Gasket kit		
0120	5	2		922553.0017	••Styrning	••Guide	S	
0160	6	1		921071.0002	••Avstrykare	••Wiper	S	
0200	7	1		922799.0004	••Kolvstångstätning	••Piston rod seal	S	
0240	8	2		922553.0018	••Styrning	••Guide	S	
0280	9	1		1247	••O-ring	••O-ring	S	
0300	10	1		6007	••Stödring	••Back-up ring		
0320	11	1		253518.0900	•Cylinderhuvud	•Cylinder head		
0340	12	1		922785.0006	•Luftningsnippel	•Air venting nipple		
0360	13	1		453554.0500	•Distans	•Spacer		Ø150/125 L=80
0380	14	1		356111.0100	•Anslutning	•Connection		
0400	15	1		5938	•Tredoring	•Tredoring		
0420	16	1		920054.008	•Sänkbromsventil	•Lowering check valve		

Reservdelar - Spare parts

0700

Pos. Fig.	Antal/Quantity			Art nr Part No	Benämning	Description	Sats Kit	Anmärkning Notes
Utgåva Issue		Bild nr Picture No		Lyftcylinder Lyftstativ Duplex CP 257517-xxxx		Lifting cylinder Lifting mast Duplex CP 257517-xxxx		
930505		14151						
0020	1	1		257517.XXXX	Lyftcylinder	Lifting cylinder		2)KPL Ø180/140
0060	2	1		257518.XXXX	•Cylinderrör	•Cylinder pipe		2)KPL
0100	3	1		353875.XXXX	•Kolvstång	•Piston rod		2)KPL
0140	4	1		454452.6100	•Tätningssats	•Seal kit		KPL
0180	5	1		96037	••Kolv tätning	••Piston seal	S	
0200	6	1		1250	••O-ring	••O-ring	S	
0240	7	1		5746	••Stödring	••Back-up ring	S	
0280	8	2		922553.0013	••Styrning	••Guide	S	
0320	9	1		922799.0002	••Kolvstångstättning	••Piston rod seal	S	
0360	10	1		1332	••Avstrykare	••Wiper	S	
0400	11	1		455547.0400	•Distans	•Spacer		Ø160/140, L=350
0440	12	1		353815.1200	•Cylinderhuvud	•Cylinder head		
0460	13	16		6010	•Skruv	•Screw		
0480	14	1		922785.0006	•Luftningsnippel	•Air venting nipple		
0500	15	2		920054.010	•Sänkbromsventil	•Lowering check valve		

Reservdelar - Spare parts

1000

Utgåva Issue		Bild nr Picture No		Tiltcylinder 455360.0800 ERS AV A01785.0800		Tilt cylinder 455360.0800 ERS AV A01785.0800		
Pos. Fig.	Antal/Quantity			Art nr Part No	Benämning	Description	Sats Kit	Anmärkning Notes
0020	1	1		455360.0800	Tiltcylinder	Tilt cylinder		KPL Ø 160
0080	2	1		255388.0100	•Cylinderrör	•Cylinder pipe		KPL Ø 160
0120	3	1		409807.0400	•Kolvstång	•Piston rod		KPL
0160	4	1		305354.003	•Cylinderhuvud	•Cylinder head		UTGÅTT, ERS AV
0170								A00300.2400
0180		1		A00300.2400	•Cylinderhuvud	•Cylinder head		
0200	5	1		920744.0006	•Packningssats	•Gasket kit		
0240	6	1		96033	••Kolv tätning	••Piston seal	S	
0280	7	1		1247	••O-ring	••O-ring	S	
0300	8	1		920102.001	••Manschett	••Seal	S	
0320	9	1		96074	••Avstrykare	••Wiper	S	
0330	10	1		6007	••Stödring	••Back-up ring	S	177)
0340	11	1		405351.001	•Mutter	•Nut		
0360	12	1		305359.001	•Fäste	•Bracket		
0380	13	1		404989.001	•Distans	•Spacer		

CLICK HERE TO **DOWNLOAD** THE COMPLETE MANUAL

- Thank you very much for reading the preview of the manual.
- You can download the complete manual from: www.heydownloads.com by clicking the link below



- Please note: If there is no response to CLICKING the link, please download this PDF first and then click on it.

CLICK HERE TO **DOWNLOAD** THE COMPLETE MANUAL