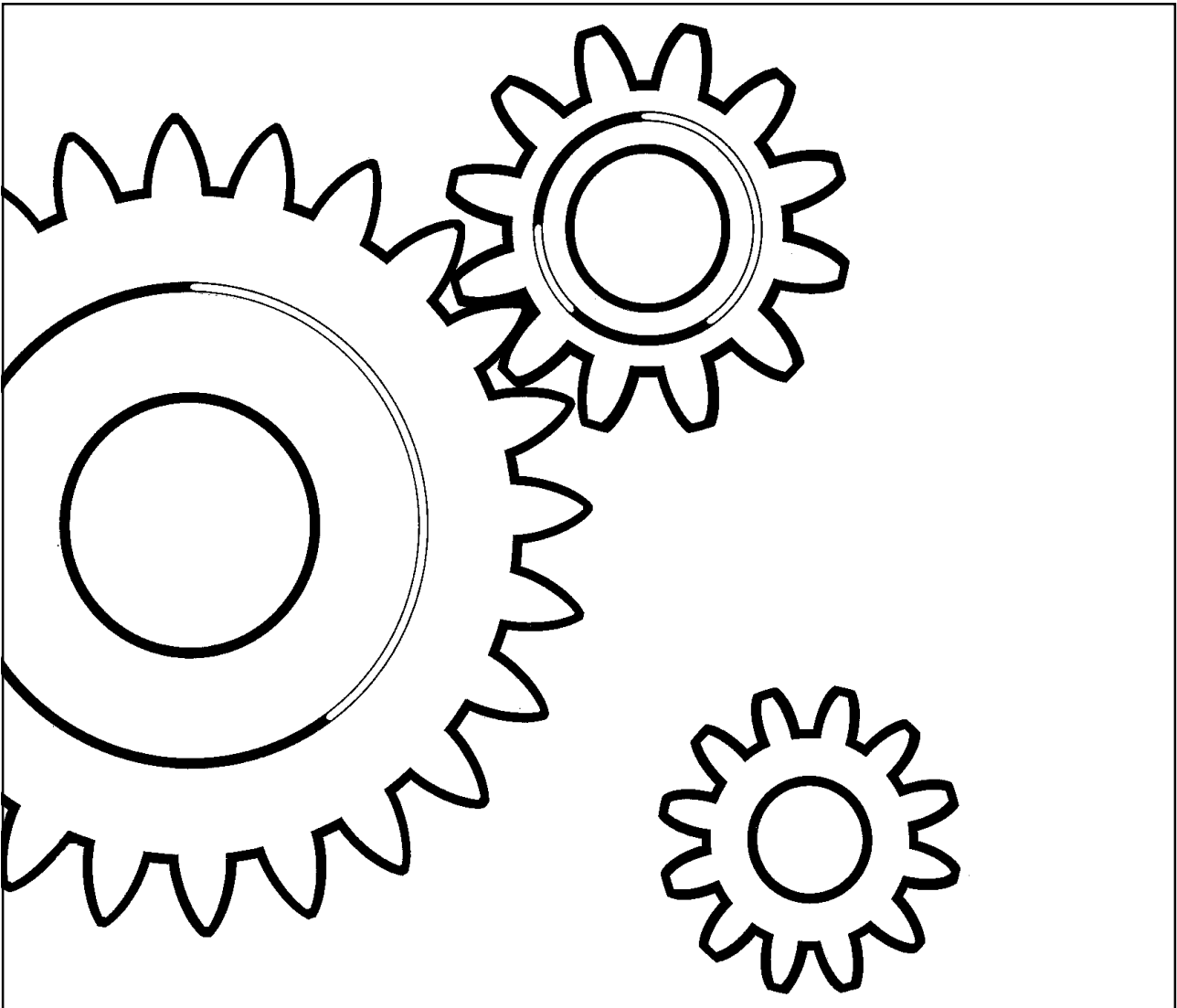


# **DYNAPAC PL350S SPARE PARTS CATALOGUE**

**501.191**



***DYNAPAC***

Ammerländer Straße 93, D-26203 Wardenburg, Germany

Phone: +49 4407/972-0, Fax: +49 4407/972-143

[www.dynapac.com](http://www.dynapac.com)

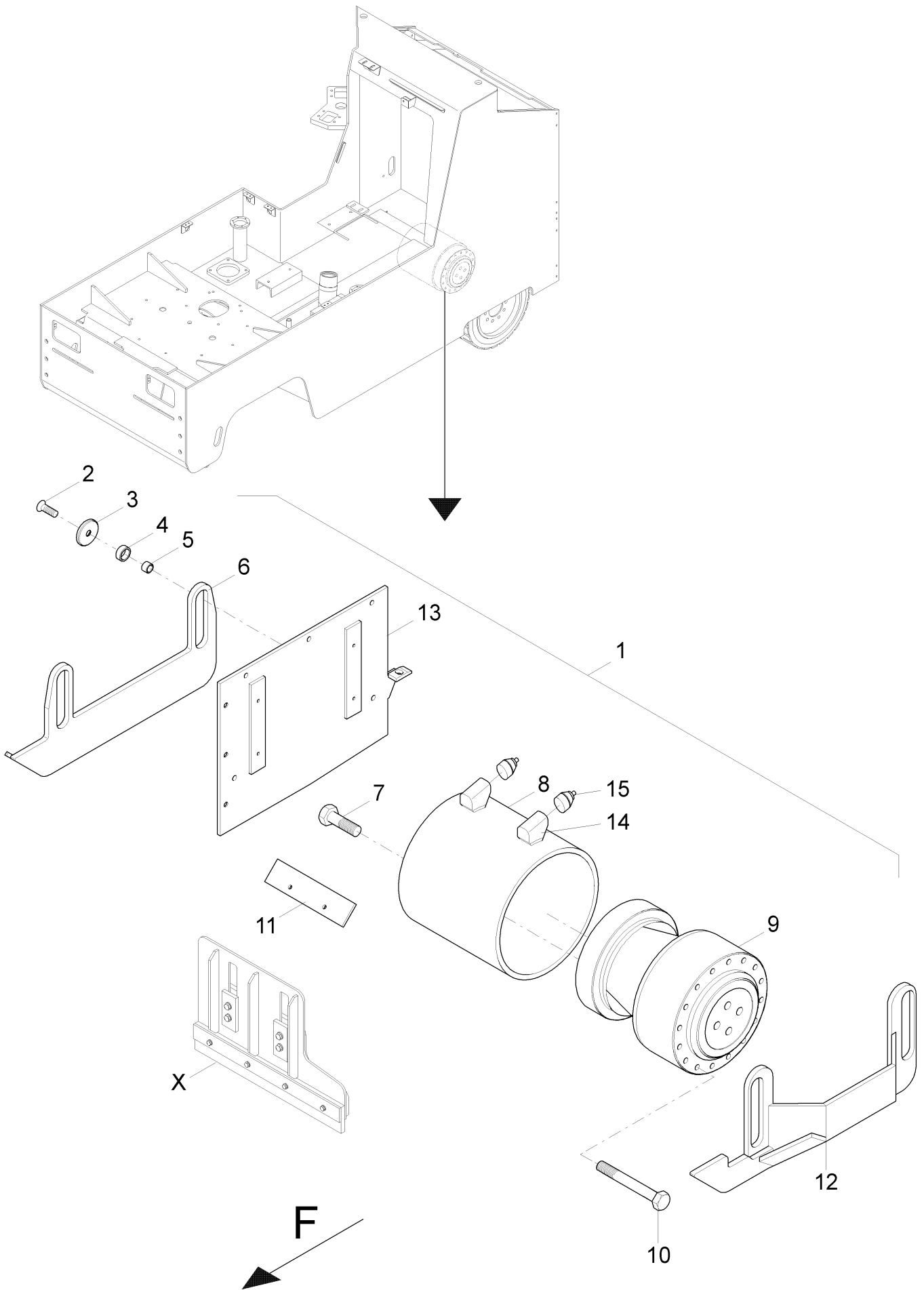
CLICK HERE TO **DOWNLOAD** THE COMPLETE MANUAL

- Thank you very much for reading the preview of the manual.
- You can download the complete manual from: [www.heydownloads.com](http://www.heydownloads.com) by clicking the link below



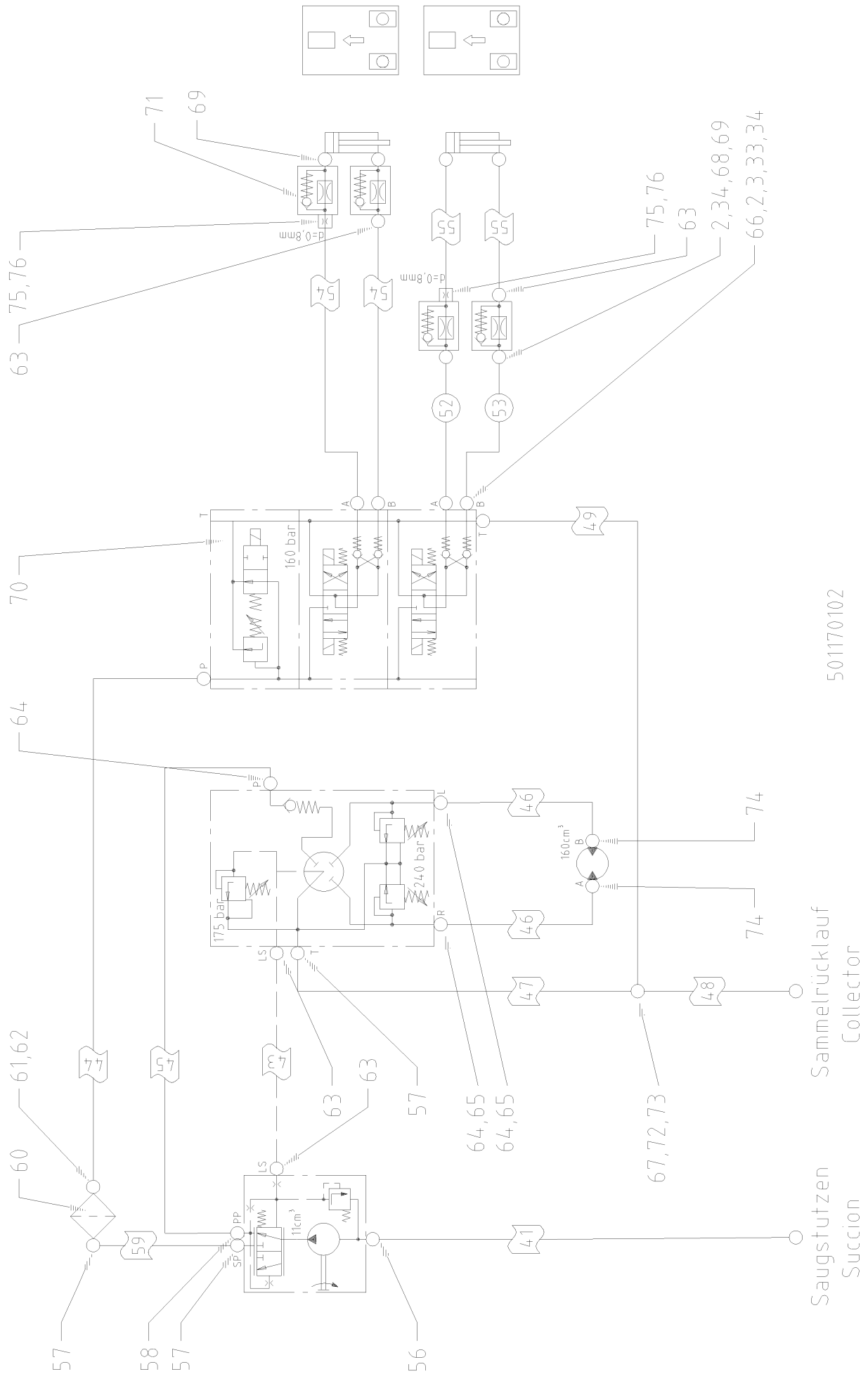
- Please note: If there is no response to CLICKING the link, please download this PDF first and then click on it.

CLICK HERE TO **DOWNLOAD** THE COMPLETE MANUAL



<b>Pos. Item</b>	<b>Best.-Nr. Part No.</b>	<b>Anz. Qty.</b>	<b>Beschreibung Description</b>	<b>Bemerkung Note</b>
1	966600180	1	Air filter	
2	* 964441207	1	Filter element	
3	* 964441208	1	Safety filter element	
4	966598106	1	Fuel filter	
5	966630413	1	Oil filter	
6	966695200	1	Thermostat	
7	966600160	1	Alternator	
8	966720001	1	Water pump	
9	966598107	1	V.belt	
10	966503071	1	Starter	
11	966711101	1	Valve cap sealing	
12	966630414	3	O-ring	
13	977041022	1	Oil pressure switch	
14	966501010	1	Engine stop	
15	964350859	1	Filter element	
16	964047055	1	Return/succion filter	
17	964152341	1	Filling filter	
18	964350860	1	Filter element	
	*) Available as single part			
<b>Service parts</b>				<b>501-04100</b>

Pos. Item	Best.-Nr. Part No.	Anz. Qty.	Beschreibung Description	Bemerkung Note
	501160000		Drive	
1	501060124	1	Silencer, compl.	
2	* 501060129	1	End pipe	
3	* 501060125	1	Exhaust silencer	
4	500015	2	Screw	
5	501160115	1	Holder	
6	501160124	1	Support angle	
7	966382413	1	Engine	B 3,3-C60
8	501160105	2	Engine holder	
9	600009	11	Disc	
10	500193	11	Screw	
11	930329151	4	Machine foot	
12	501160102	2	Engine holder	
13	500008	2	Hex. screw	
14	570003	2	Hex. nut	
15	501160116	1	Lever	
16	950554149	1	Fan	
17	501060117	1	Flange	
18	600006	4	Disc	
19	938116288	4	Hex. screw	
20	570006	5	Nut	
21	600008	32	Disc	
22	930235526	3	Rubber buffer	
23	500048	17	Screw	
24	501160101	1	Support for cooler	
25	950585302	1	Cooler	
	950599348	1	Cooler case	
26	501160112	1	Holder	
27	933538091	1	Clutch	
28	508053	8	Cylinder screw	
29	933502106	1	Pump flange	
30	500029	12	Hex. screw	
31	967045901	1	Adjustable pump	
32	967045031	1	Adjustable pump	
33	967105455	1	Adjustable pump	
_01	967536863	1	_Seal kit	
34	934801210	1	Universal joint	
35	501060142	1	Diesel pipeline	
36	501060143	1	Diesel return line	
37	930211476	1	Fuel indicator	
38	501160122	1	Form hose	
39	501160123	1	Form hose	
40	501160126	1	Holder	
41	500040	1	Screw	
			—	06.07.04.
	*) Available as single part			
<b>Engine</b>			<b>501-06110</b>	



501170102

Sammelrücklauf  
Collector

Saugstutzen  
Suction

<b>Pos. Item</b>	<b>Best.-Nr. Part No.</b>	<b>Anz. Qty.</b>	<b>Beschreibung Description</b>	<b>Bemerkung Note</b>
	501-08110		<b>Head lamp</b>	
1	501180100	1	Lamp, compl.	
2	501180101	1	Console for lamp	
3	570004	2	Hex. nut	
4	500012	2	Screw	
5	977900134	1	Working lamp	H3
	977335112	1	Halogen-H3 bulb	70 W
<b>Head lamp</b>			<b>501-08110</b>	

CLICK HERE TO **DOWNLOAD** THE COMPLETE MANUAL

- Thank you very much for reading the preview of the manual.
- You can download the complete manual from: [www.heydownloads.com](http://www.heydownloads.com) by clicking the link below



- Please note: If there is no response to CLICKING the link, please download this PDF first and then click on it.

CLICK HERE TO **DOWNLOAD** THE COMPLETE MANUAL