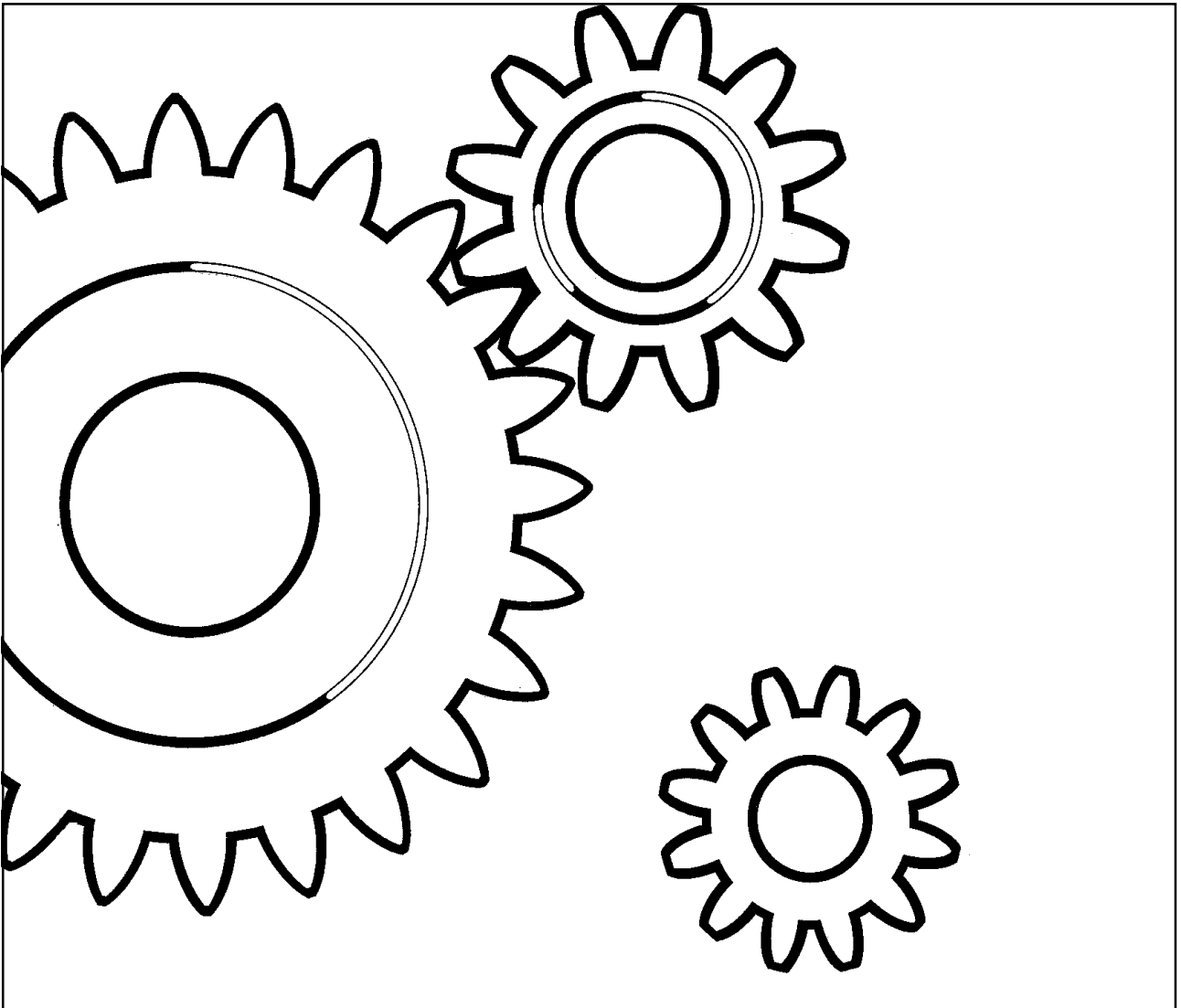


DYNAPAC LP8500

SPARE PARTS CATALOGUE SLP8500-1EN4



DYNAPAC

Part of the Atlas Copco Group

Atlas Copco Construction Tools AB

SE-105 23 Stockholm, Sweden

CLICK HERE TO **DOWNLOAD** THE COMPLETE MANUAL

- Thank you very much for reading the preview of the manual.
- You can download the complete manual from: www.heydownloads.com by clicking the link below



- Please note: If there is no response to CLICKING the link, please download this PDF first and then click on it.

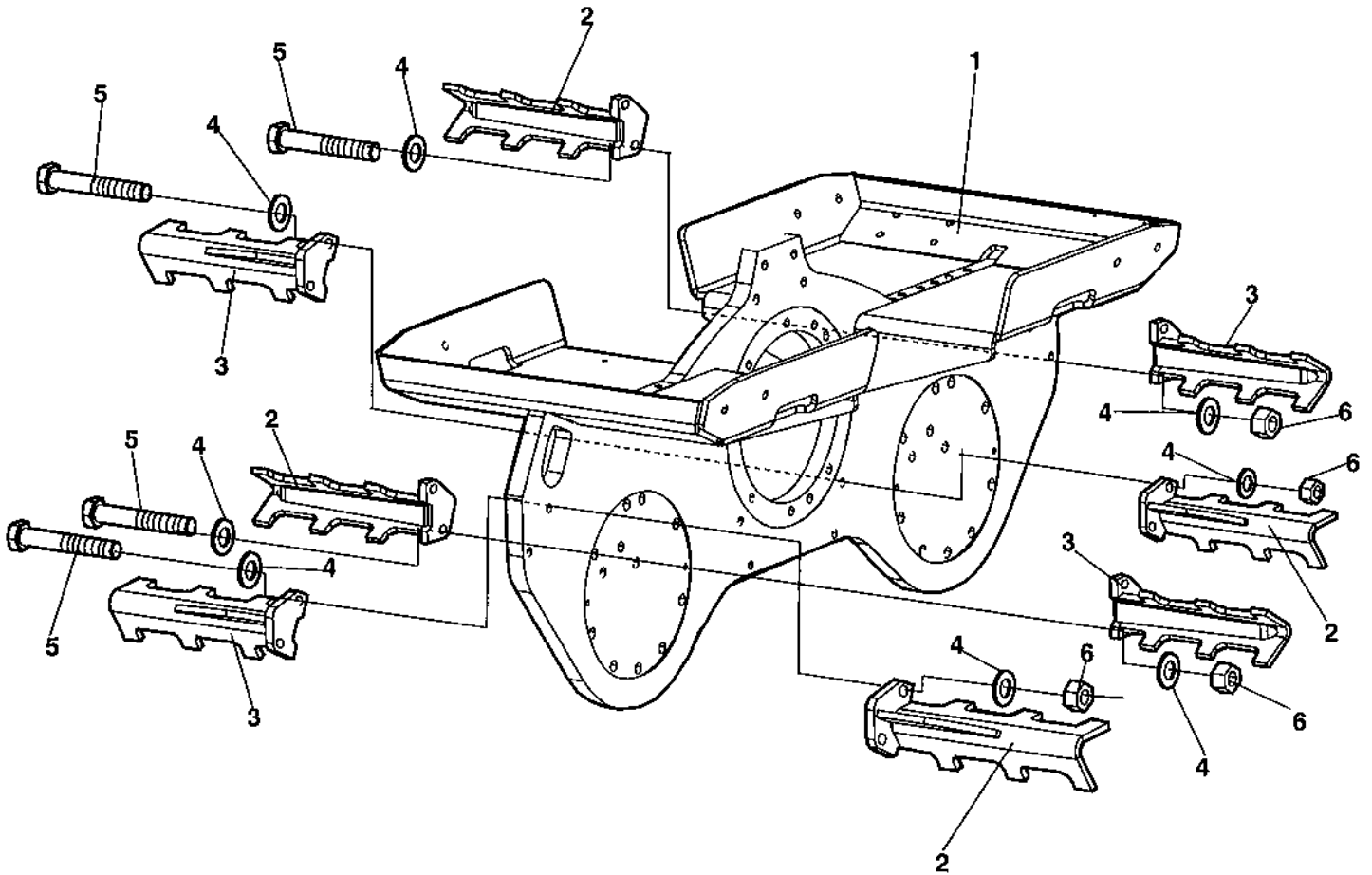
CLICK HERE TO **DOWNLOAD** THE COMPLETE MANUAL

Fuel tank

| Item | Part No. | Rem. Qty | Description | Code |
|-------------|-----------------|-----------------|-------------------------|-------------|
| 1 | D388253-01 | 1 | Fuel tank | |
| 2 | 4700288474 | 1 | Shock absorber | D |
| 3 | 4700389603 | 1 | Stud | |
| 4 | 4700373460 | 1 | Fuel cap | D |
| 5 | 4700162011 | 1 | Washer, sealing | D |
| 6 | 4700232143 | 1 | Plug | |
| 7 | | 1 | Fuel system (Page 32) | |

Scrapers for option drums with width 630 mm

17910



Hydraulic system

| Item | Part No. | Rem. Qty | Description | Code |
|-------------|-----------------|-----------------|--|-------------|
| 10 | | | Hydraulic block, hydraulic pump and cooler (Page 38) | |
| 20 | | | Hydraulic system for wheel motors (Page 40) | |
| 30 | | | Drum motor (Page 42) | |
| 40 | | | Hydraulic block (Page 44) | |
| 50 | | | Hydraulic pump installation (Page 46) | |

Push stop

| Item | Part No. | Rem. Qty | Description | Code |
|-------------|-----------------|-----------------|--------------------|----------------|
| 1 | D377527-01 | 1 | Shaft | |
| 2 | 4700377544 | 2 | Clamp | |
| 3 | D377547-01 | 2 | Bracket | |
| 4 | D377530-01 | 1 | Handle | |
| 5 | 4700377541 | 1 | Spring | |
| 6 | 4700377542 | 1 | Spring | |
| 7 | 4700377539 | 2 | Lever | |
| 8 | 4700377550 | 1 | Stop | |
| 9 | 4700377549 | 1 | Spacer | |
| 10 | 4700377548 | 1 | Spring | |
| 11 | 4700377551 | 1 | Knob | |
| 12 | 4700791322 | 1 | Screw | |
| 13 | 4700570004 | 3 | Nut | M6X1,00 -8 A2K |
| 14 | 4700904229 | 6 | Washer | 8,4x16x1,5 |
| 15 | 4700791182 | 2 | Lock nut | M8 |
| 16 | 4700508092 | 2 | Screw | |
| 17 | 4700792107 | 6 | Screw | |
| 18 | 4700508076 | 4 | Screw | |
| 19 | 4700570005 | 4 | Nut | M8 |
| 20 | 4700535015 | 2 | Screw | |
| 21 | 4700904654 | 6 | Screw | |
| 22 | 4700603009 | 2 | Washer | |

CLICK HERE TO **DOWNLOAD** THE COMPLETE MANUAL

- Thank you very much for reading the preview of the manual.
- You can download the complete manual from: www.heydownloads.com by clicking the link below



- Please note: If there is no response to CLICKING the link, please download this PDF first and then click on it.

CLICK HERE TO **DOWNLOAD** THE COMPLETE MANUAL