

Parts Catalogue

DR7X Rammers

Engine : Honda GX120 - CARB Phase III



No. DL00825583 | 2019-1-17

© 2018 Dynapac GmbH

*Your Partner
on the Road Ahead*

CLICK HERE TO **DOWNLOAD** THE COMPLETE MANUAL

- Thank you very much for reading the preview of the manual.
- You can download the complete manual from: www.heydownloads.com by clicking the link below



- Please note: If there is no response to CLICKING the link, please download this PDF first and then click on it.

CLICK HERE TO **DOWNLOAD** THE COMPLETE MANUAL

Rammer DR7X

Item	Part No.	Qty	Name	SN INFO
KIT	4812216889	1	Repair kit, transmission	
1	DL09222900	2	Circlip,internal	
2	DL05114075	2	Ball bearing,grooved	
3	DL09211300	1	Circlip,external	
4	DL05114073	1	Ball bearing,grooved	
5	DL09212100	1	Circlip,external	
6	DL05121077	1	Angular ball bearing	
7	DL09223700	1	Circlip,internal	
8	DL09312442	1	Radial seal	

Rammer DR7X



Item	Part No.	Qty	Name	SN INFO
1	4812062024	1	Refurbishing kit - engine protectors	
2	4812217072	1	Refurbishing kit - roller	
3	4812217074	1	Refurbishing kit - air filter housing	
4	4812217379	1	Refurbishing kit-decals	
5		1	Color Dynapac-Light	

Refer to Parts Online for the most up to date information. The printed information might be outdated.

Mon Dec 14 12:02:39 UTC 2020

Rammer DR7X



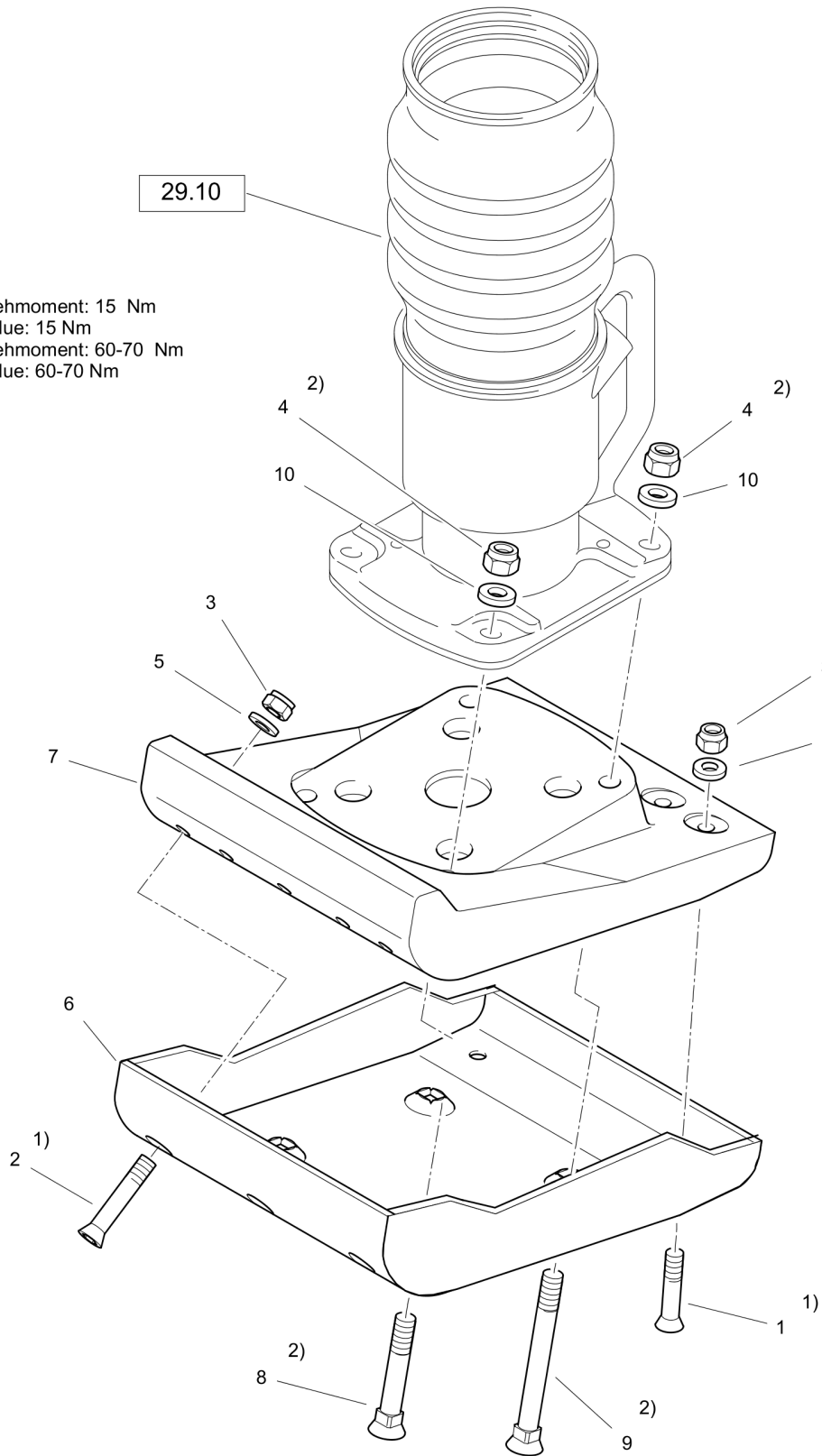
Item	Part No.	Qty	Name	SN INFO
1	4812215512	1	Dynapac color, red	
2	4812215516	1	Dynapac color, white	
3	4812071005	1	Dynapac color, grey	

Refer to Parts Online for the most up to date information. The printed information might be outdated.

Mon Dec 14 12:02:41 UTC 2020

Field kits DL92401017 X25-Foot plate 240mm 13°

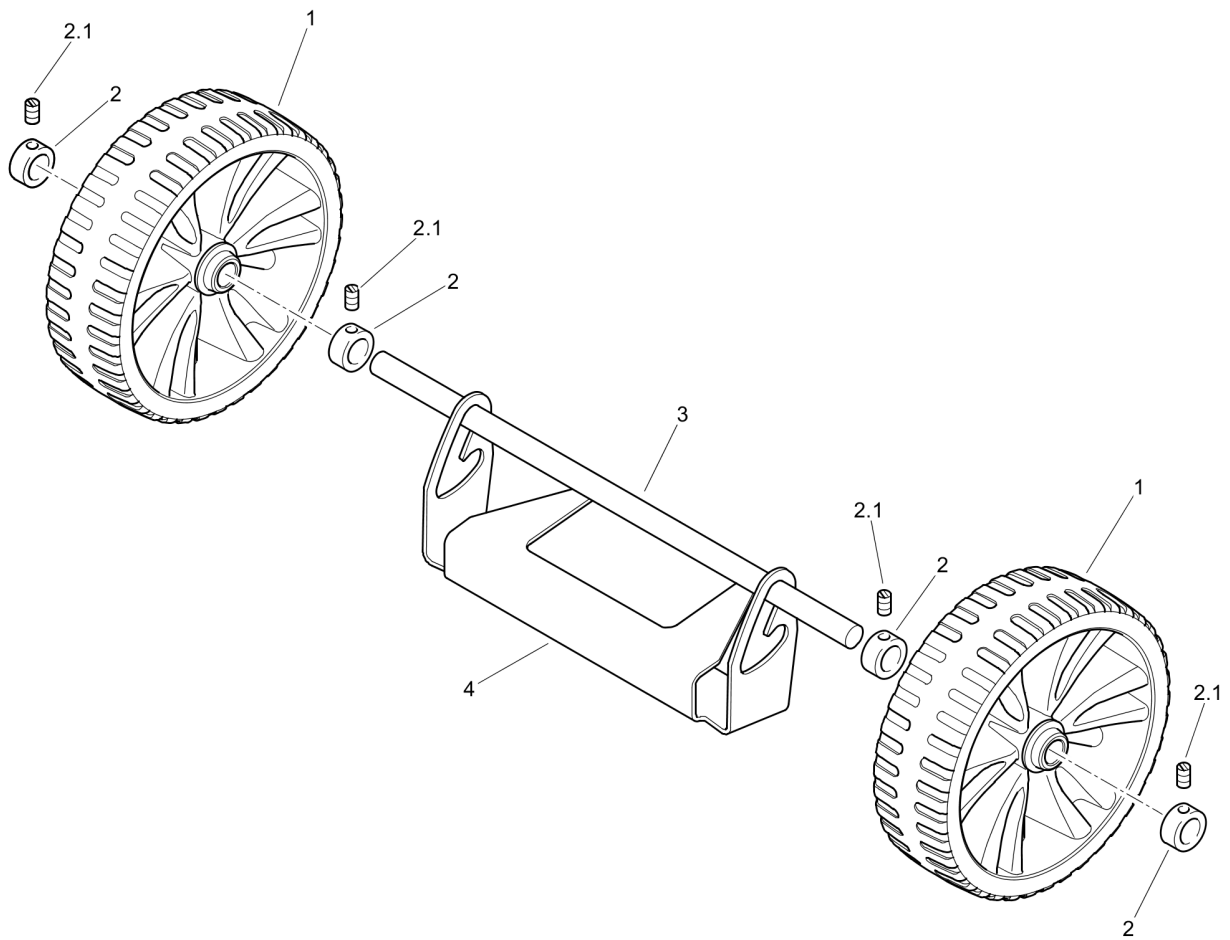
- 1) Anzugsdrehmoment: 15 Nm
Torque value: 15 Nm
- 2) Anzugsdrehmoment: 60-70 Nm
Torque value: 60-70 Nm



Refer to Parts Online for the most up to date information. The printed information might be outdated.

Mon Dec 14 12:02:43 UTC 2020

Field kits DL92401022 T94-Transport wheels, failsave



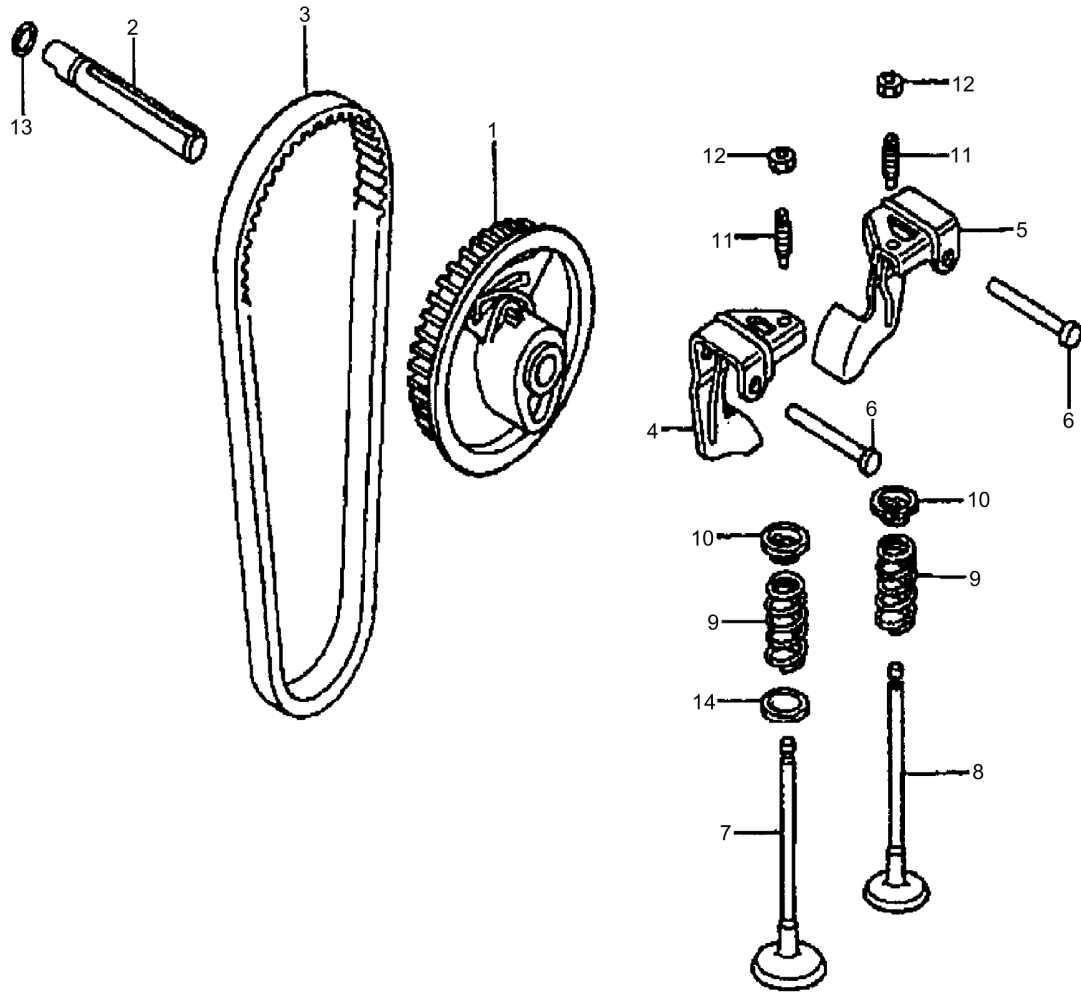
CLICK HERE TO **DOWNLOAD** THE COMPLETE MANUAL

- Thank you very much for reading the preview of the manual.
- You can download the complete manual from: www.heydownloads.com by clicking the link below

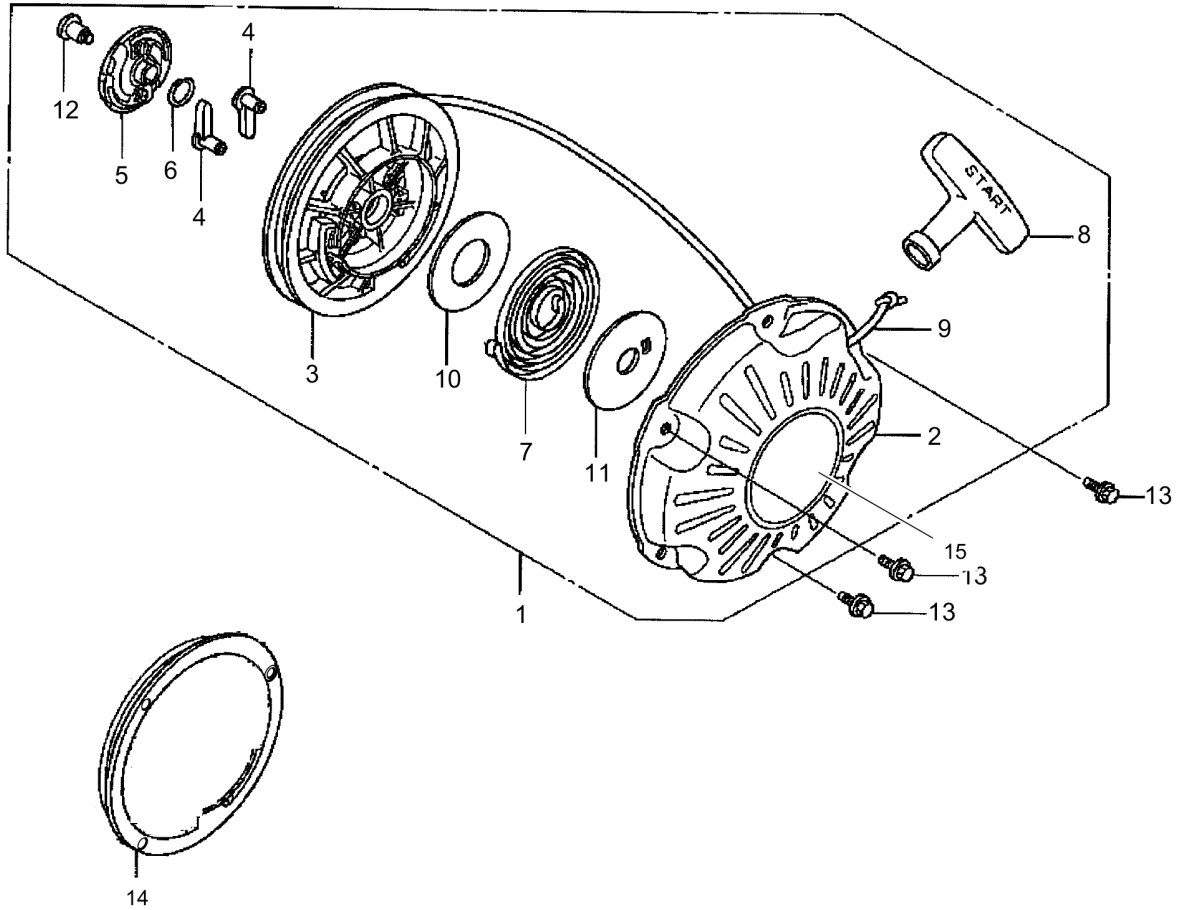


- Please note: If there is no response to CLICKING the link, please download this PDF first and then click on it.

CLICK HERE TO **DOWNLOAD** THE COMPLETE MANUAL



11.09



11.31

Refer to Parts Online for the most up to date information. The printed information might be outdated.

Mon Dec 14 12:02:50 UTC 2020

Rammer DR7X



Item	Part No.	Qty	Name	SN INFO
35	DL05749149	1	Insulator	
36	DL05748200	1	Insulator gasket	
37	DL05748204	1	Gasket	

Refer to Parts Online for the most up to date information. The printed information might be outdated.

Mon Dec 14 12:02:52 UTC 2020

Rammer DR7X



Item	Part No.	Qty	Name	SN INFO
29.08	DLEA003127_00		Actuat.Cable Throttle Re.	
29.10	DL92410046_00		Spring and guide unit	

Refer to Parts Online for the most up to date information. The printed information might be outdated.

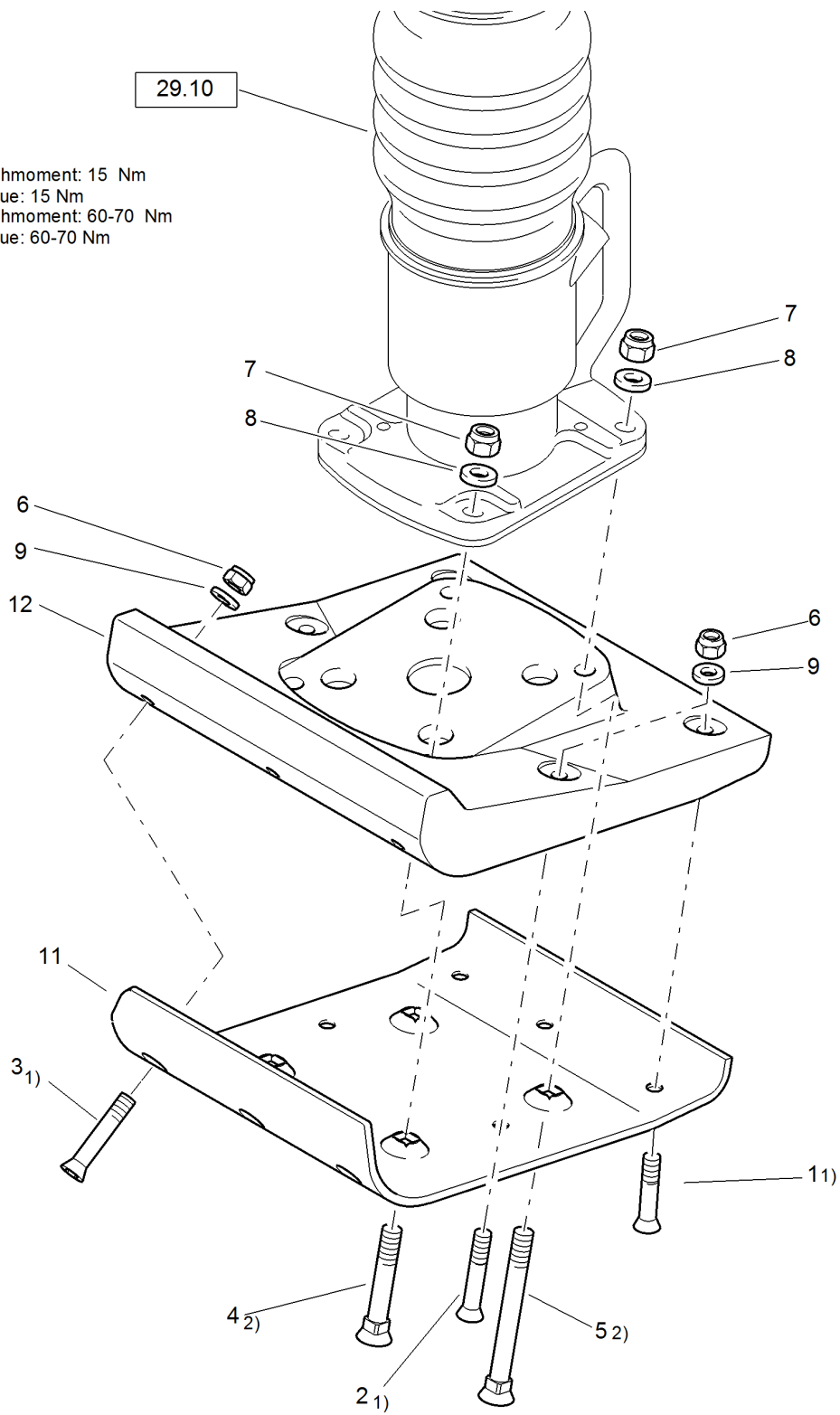
Mon Dec 14 12:02:55 UTC 2020

Rammer DR7X

Item	Part No.	Qty	Name	SN INFO
1	DL54270237	1	Steering handle	
2	DL06180320	2	Rubber buffer	
4	DL07210817	4	Pens head screw	
5	DL08621084	4	Washer	
6	DL07140820	4	Hexagon bolt	
7	DL54270114	2	roller	
8	DL07230692	4	Socket-head cap screw	
9	DL08130611	4	Safety nut	
10	DL54270141	1	Spring cotter	
11	DL06911047	10	Cable strap	
12	DL05561618	1	Throttle control	
13	DL07310512	2	Countersunk screw	
14	DL05551944	2	Tube clamp	
15	DL07230693	2	Socket-head cap screw	
16	DL08510612	2	Washer	
17	DL92410706	1	Fuel tank, assembled	
17.1	DL92410290	1	Fuel tank complete	
17.2	DL05824227	1	Fuel cock	
17.2.1	DL05824228	1	Gasket	
17.3	DL05950900	1	Fuel cap	
18	DL07210892	1	Pens head screw	
19	DL08751064	1	Spring washer	
20	DL08130611	1	Safety nut	
21	DL07210825	3	Pens head screw	
22	DL08510817	3	Washer	
23	DL08130813	3	Safety nut	
24	DL54270234	1	Shut down device	
25	DL07815008	3	Screw	
26	DL05767954	1	Hourmeter and rpm meter	
27	DL07815007	2	Fallow drop screw	
12.15			Air Filter	
52.14			Housing	
194.08			Service kit	

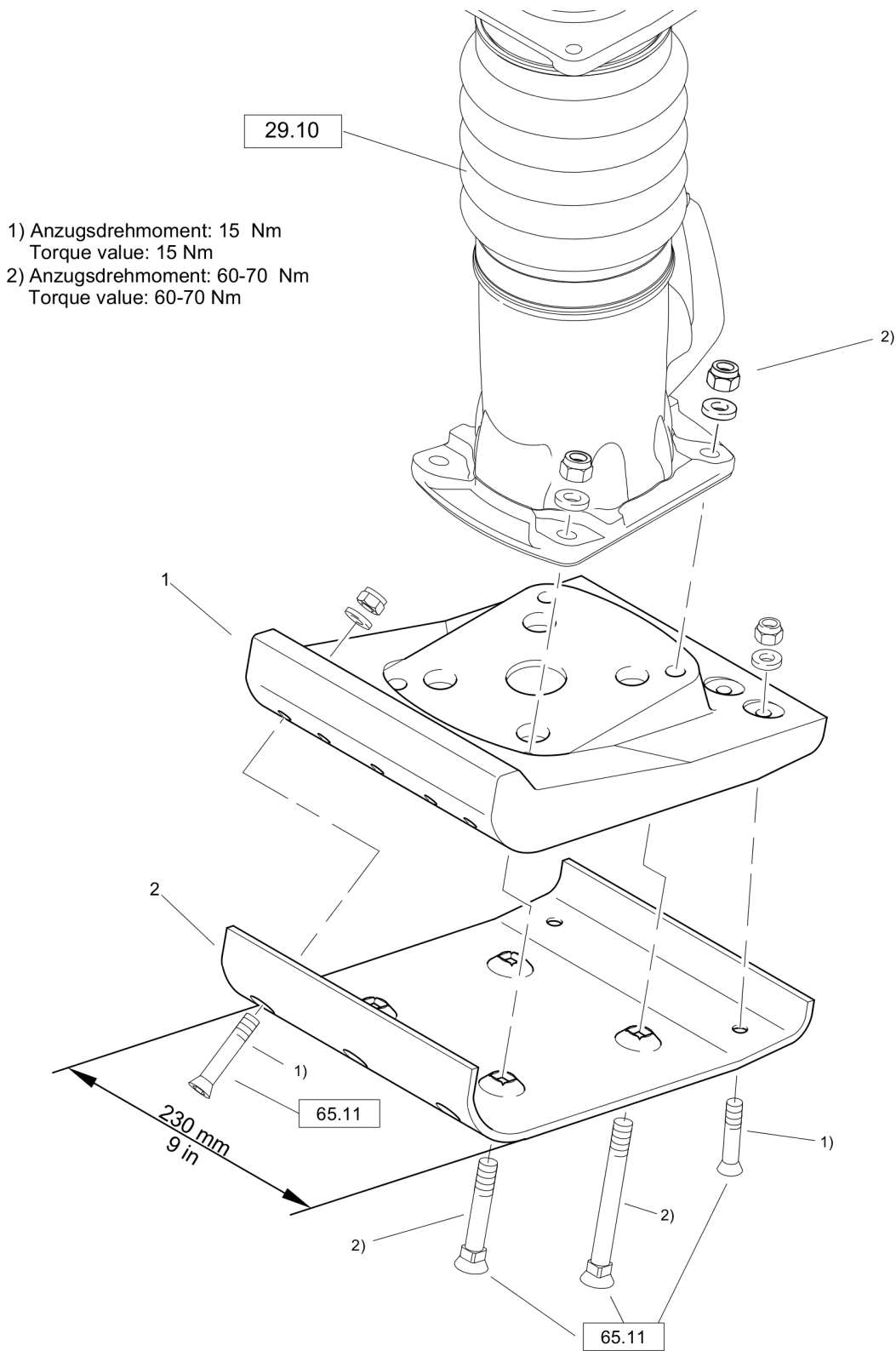
Refer to Parts Online for the most up to date information. The printed information might be outdated.

Mon Dec 14 12:02:57 UTC 2020



65.11

Special Equipment DL54100404_00 X22-Foot plate 230mm 13°



165.18

Refer to Parts Online for the most up to date information. The printed information might be outdated.

Mon Dec 14 12:03:04 UTC 2020

CLICK HERE TO **DOWNLOAD** THE COMPLETE MANUAL

- Thank you very much for reading the preview of the manual.
- You can download the complete manual from: www.heydownloads.com by clicking the link below



- Please note: If there is no response to CLICKING the link, please download this PDF first and then click on it.

CLICK HERE TO **DOWNLOAD** THE COMPLETE MANUAL