

Parts Catalogue

DFP8 Forward Plate

Engine : Honda GX 120 - CARB Phase III



No. DL00825483 | 2019-04-22

© 2019 Dynapac GmbH

*Your Partner
on the Road Ahead*

CLICK HERE TO **DOWNLOAD** THE COMPLETE MANUAL

- Thank you very much for reading the preview of the manual.
- You can download the complete manual from: www.heydownloads.com by clicking the link below



- Please note: If there is no response to CLICKING the link, please download this PDF first and then click on it.

CLICK HERE TO **DOWNLOAD** THE COMPLETE MANUAL

Forward Plate DFP8

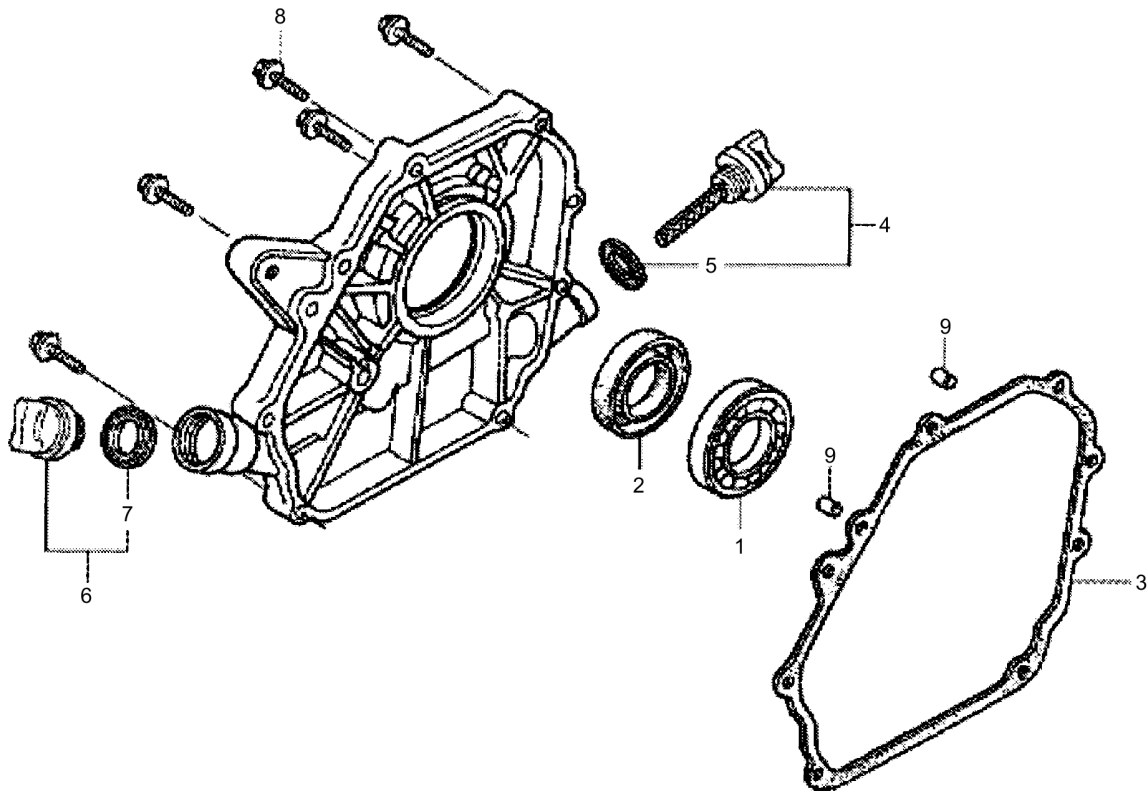
| Item | Part No. | Qty | Name | SN INFO |
|------|------------|-----|--------------------------|---------|
| KIT | 4812216979 | 1 | Repair kit, transmission | |
| 1 | DL05050149 | 1 | Centrifugal clutch | |
| 2 | DL92410582 | 1 | V-belt | |
| 3 | DL07230811 | 1 | Socket-head cap screw | |
| 4 | DL69040261 | 1 | Washer | |
| 5 | DL22110121 | 1 | V-belt pulley | |
| 6 | DL09181602 | 1 | Fitting key | |

Forward Plate DFP8

| Item | Part No. | Qty | Name | SN INFO |
|------|------------|-----|---------------------------|---------|
| KIT | 4812071378 | 1 | Refurbishing kit - decals | |
| 1 | DL92410221 | 1 | Decal | |
| 2 | DL92410413 | 1 | Type designation | |
| 3 | DL00833801 | 1 | Decal,operation | |
| 4 | DL00832651 | 1 | Decal,indication | |
| 5 | DL00832046 | 1 | Decal,indication | |
| 6 | DL00833653 | 1 | Decal,indication | |
| 7 | DL00833833 | 1 | Decal,indication | |
| 8 | DL05050358 | 1 | Decal,indication | |
| 9 | DL05050359 | 1 | Decal,indication | |
| 10 | DL00833953 | 1 | Decal,maintenance instr. | |
| 11 | DL00833968 | 1 | Warning sign | |

Forward Plate DFP8

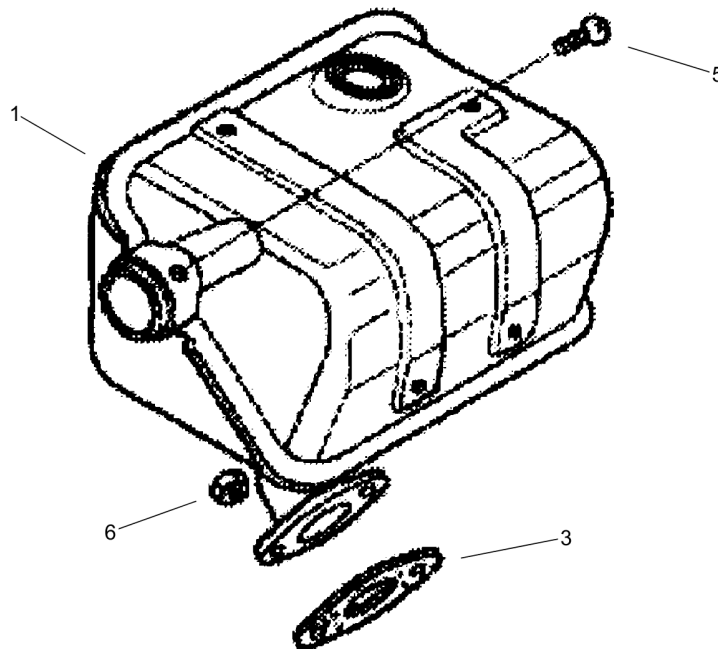
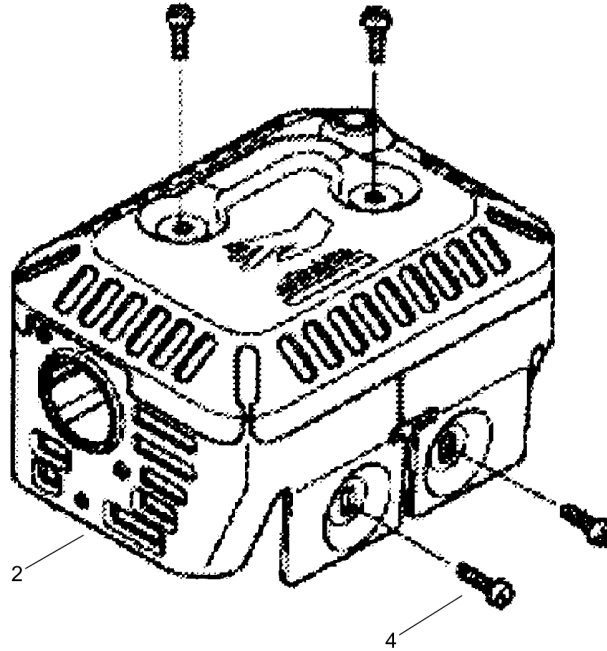
| Item | Part No. | Qty | Name | SN INFO |
|------|------------|-----|--------------------|---------|
| KIT | DL92400126 | | L19-Comfort handle | |
| 1 | DL05756120 | 2 | Wall duct | |
| 2 | DL07320831 | 2 | Countersunk screw | |
| 3 | DL23060283 | 2 | Stop | |
| 4 | DL23060282 | 2 | Expanded rubber | |
| 5 | DL83412083 | 1 | Rods | |
| 6 | DL83412080 | 1 | steering handle | |
| 7 | DL08131218 | 4 | Safety nut | |
| 8 | DL08511324 | 4 | Washer | |
| 9 | DL07141238 | 4 | Hexagon bolt | |
| 11 | DL06142910 | 2 | Stop buffer | |
| 12 | DL08510817 | 2 | Washer | |
| 13 | DL08130813 | 2 | Safety nut | |



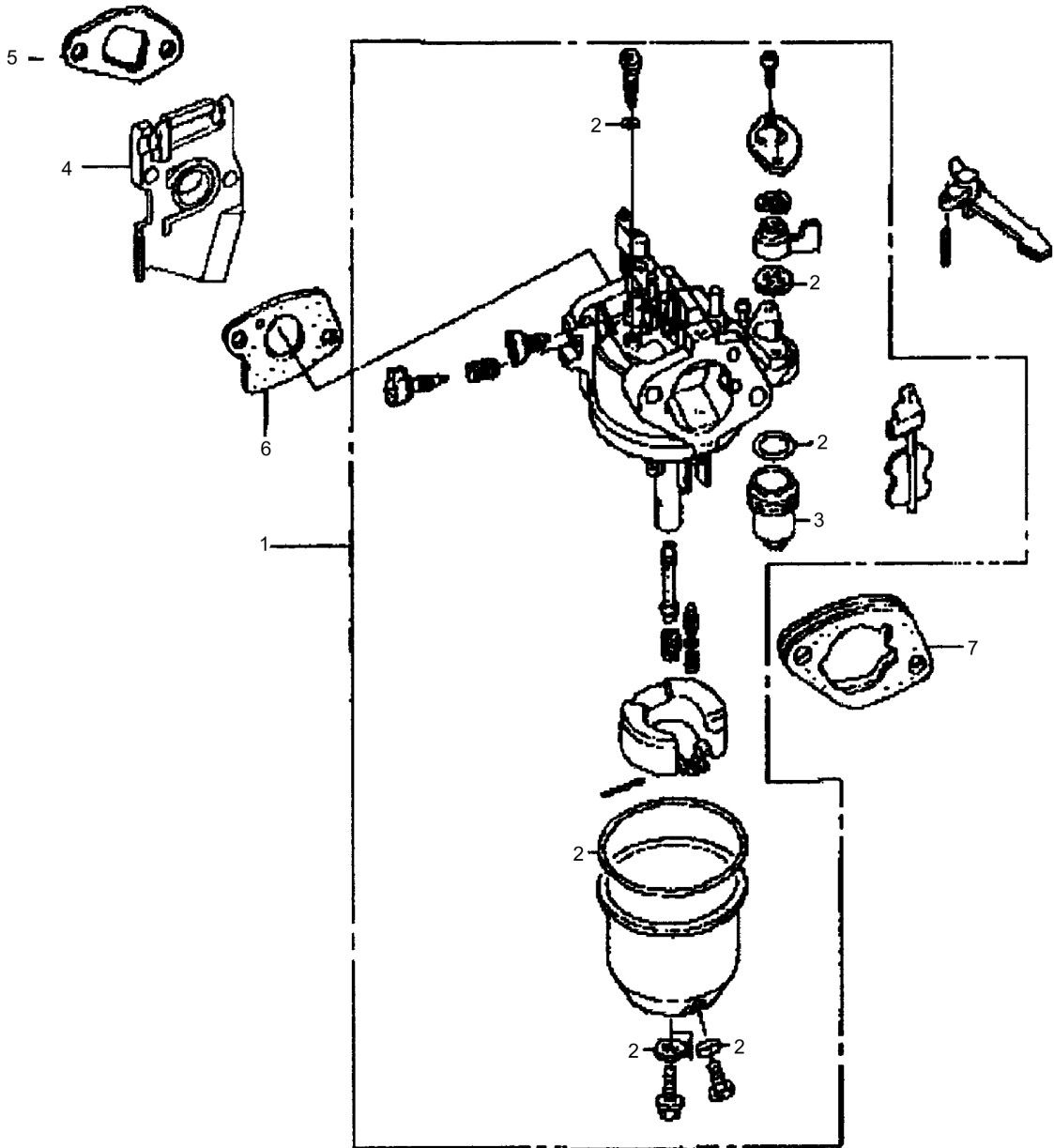
11.02

Refer to Parts Online for the most up to date information. The printed information might be outdated.

Tue Dec 15 05:10:15 UTC 2020



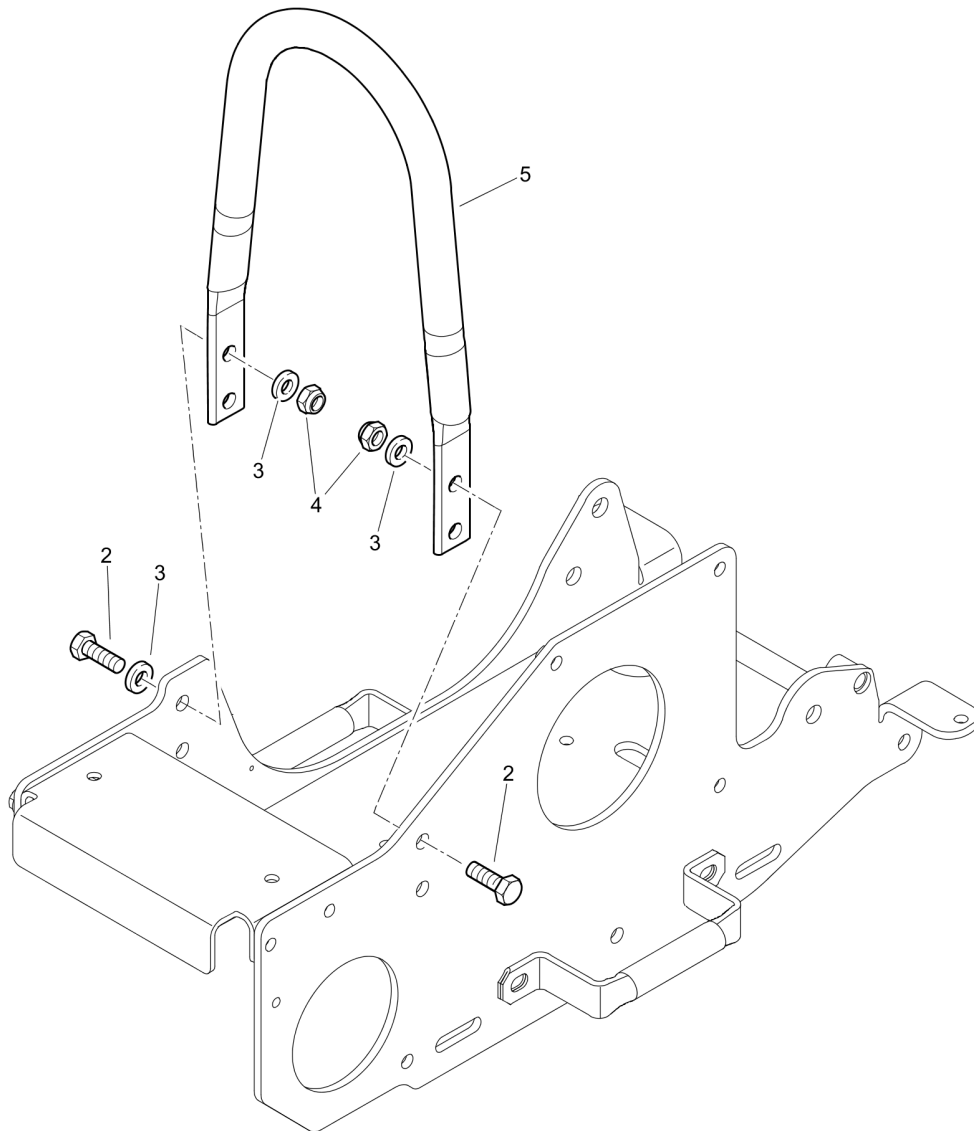
11.26



11.53

Refer to Parts Online for the most up to date information. The printed information might be outdated.

Tue Dec 15 05:10:19 UTC 2020



52.17

Refer to Parts Online for the most up to date information. The printed information might be outdated.

Tue Dec 15 05:10:21 UTC 2020

101.03



DYNAPAC

FAYAT GROUP

CLICK HERE TO **DOWNLOAD** THE COMPLETE MANUAL

- Thank you very much for reading the preview of the manual.
- You can download the complete manual from: www.heydownloads.com by clicking the link below



- Please note: If there is no response to CLICKING the link, please download this PDF first and then click on it.

CLICK HERE TO **DOWNLOAD** THE COMPLETE MANUAL