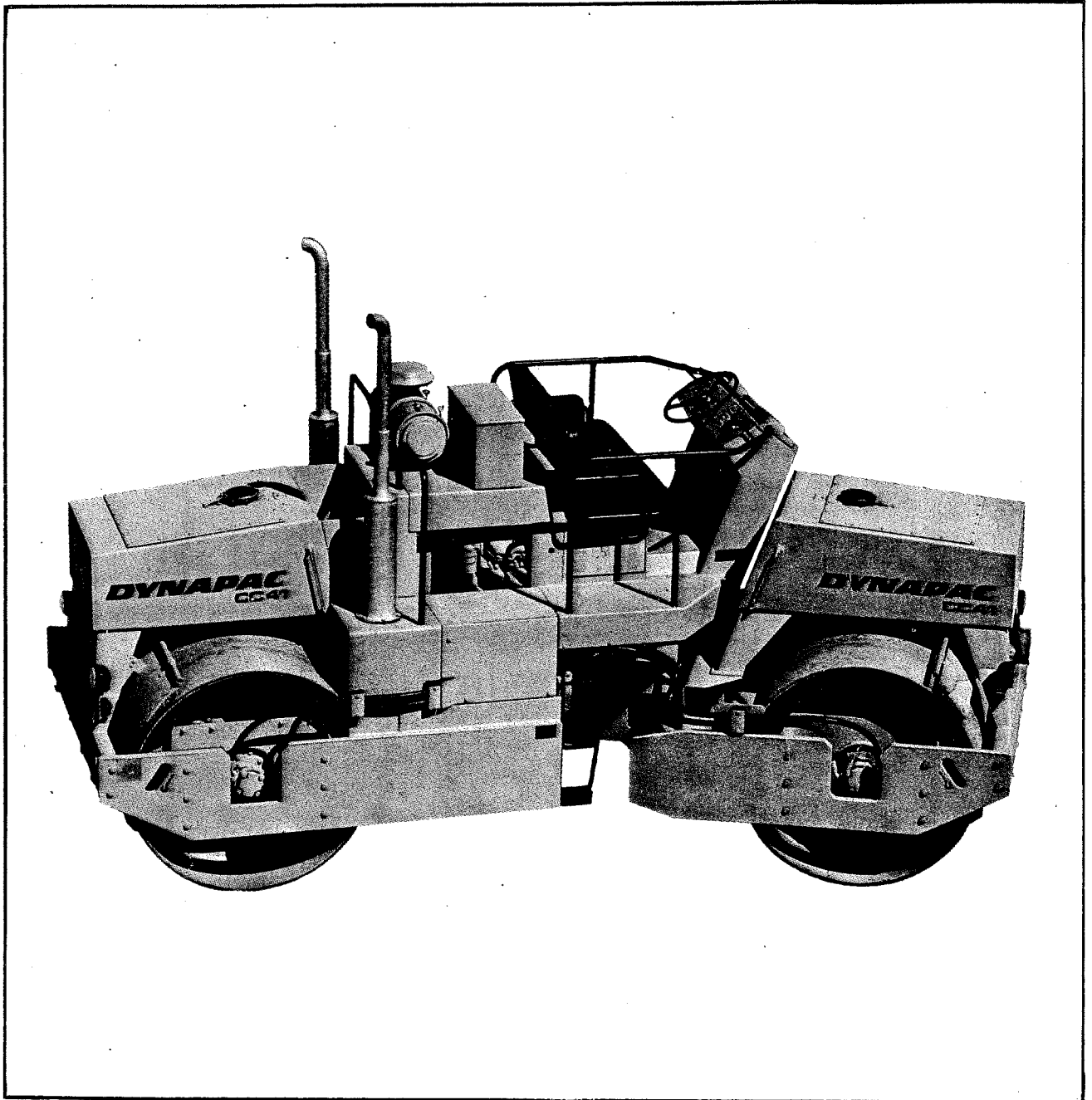


DYNAPAC[®]

SPARE PARTS CATALOGUE

VIBRATING ROLLER CC 41

Caterpillar diesel engine D3145 - D3208



Dynapac offset 82.03.500

DYNAPAC

Dynapac Heavy Equipment AB

PO Box 504·S-371 23 KARLSKRONA·SWEDEN

Tel. 0455-229 30·Telex 43041 dynkar

Telecopier 0455-295 39

We reserve the right to change specifications without notice

S-10059-4

Replaces

Ersätter

S-10059-3

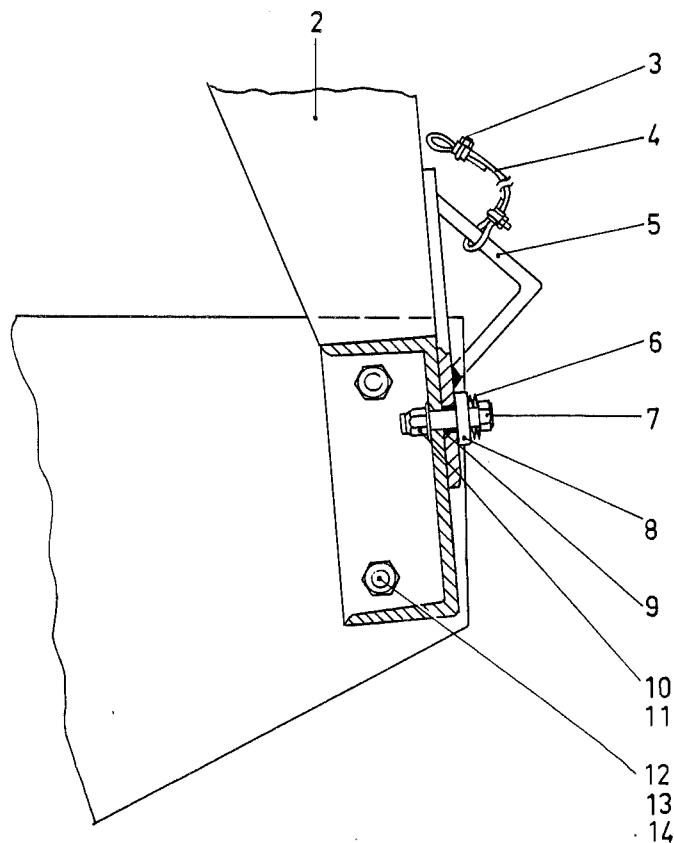
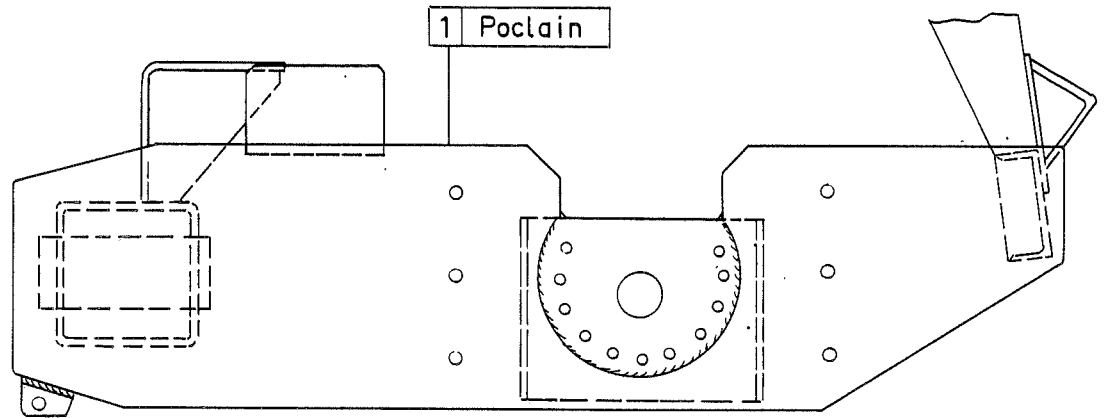
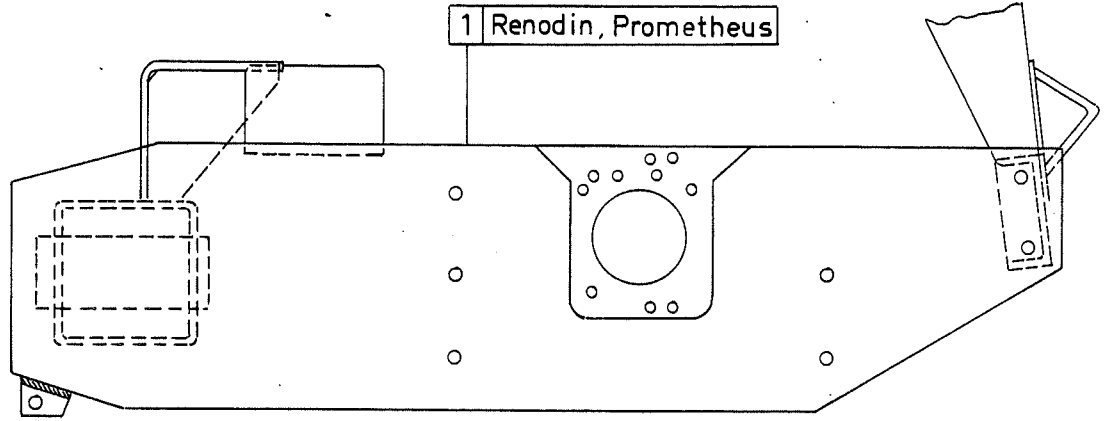
CLICK HERE TO **DOWNLOAD** THE COMPLETE MANUAL

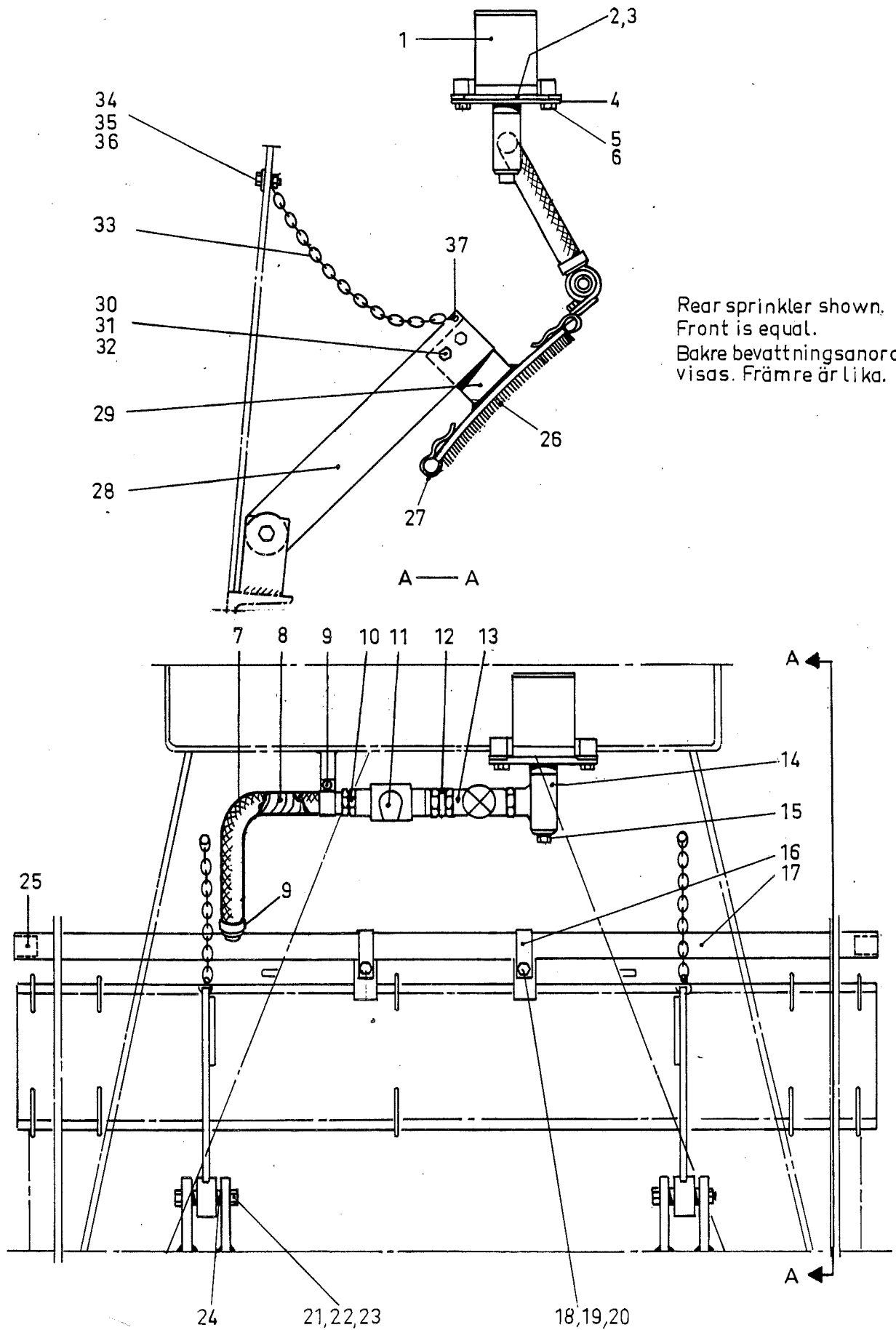
- Thank you very much for reading the preview of the manual.
- You can download the complete manual from: www.heydownloads.com by clicking the link below



- Please note: If there is no response to CLICKING the link, please download this PDF first and then click on it.

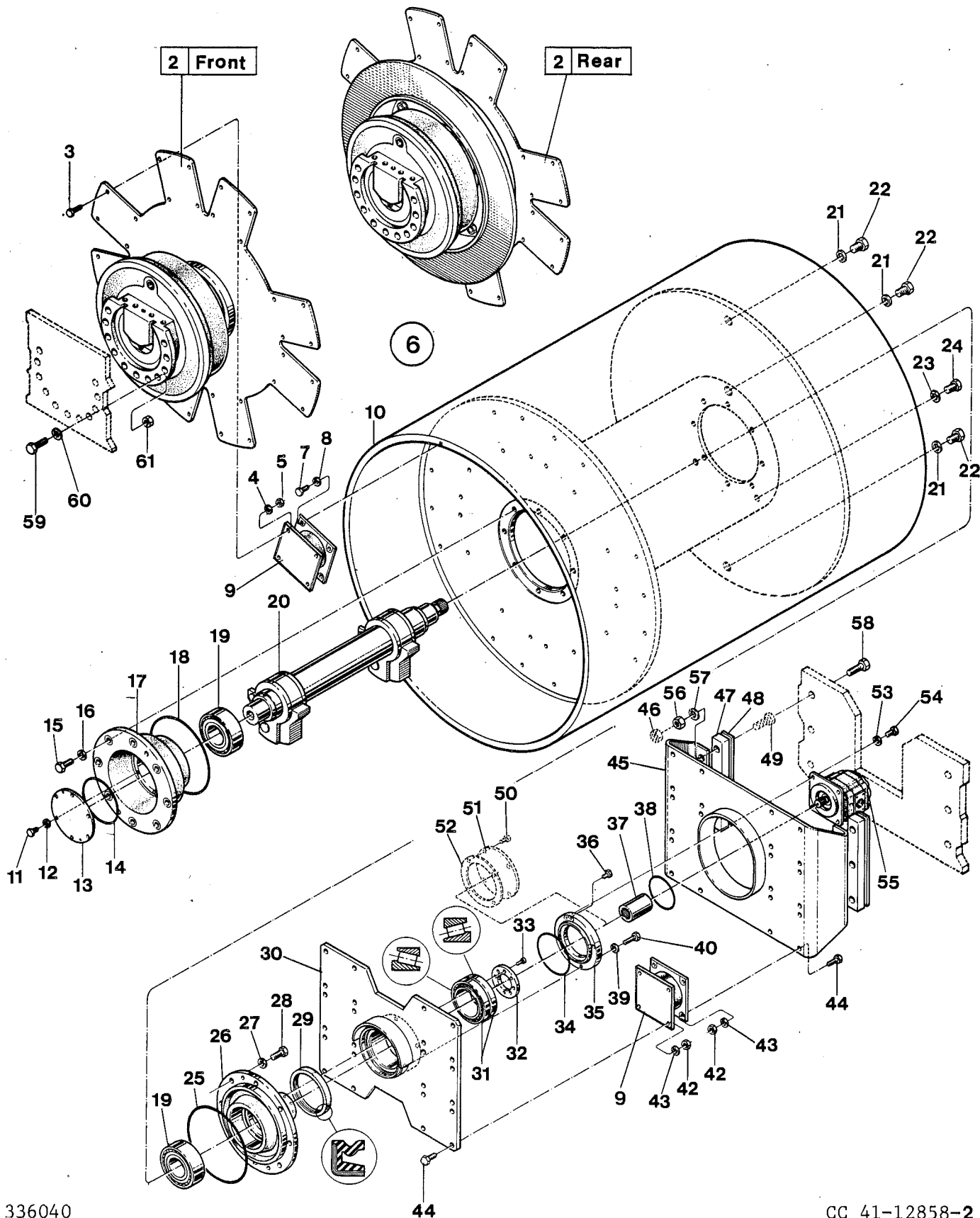
CLICK HERE TO **DOWNLOAD** THE COMPLETE MANUAL

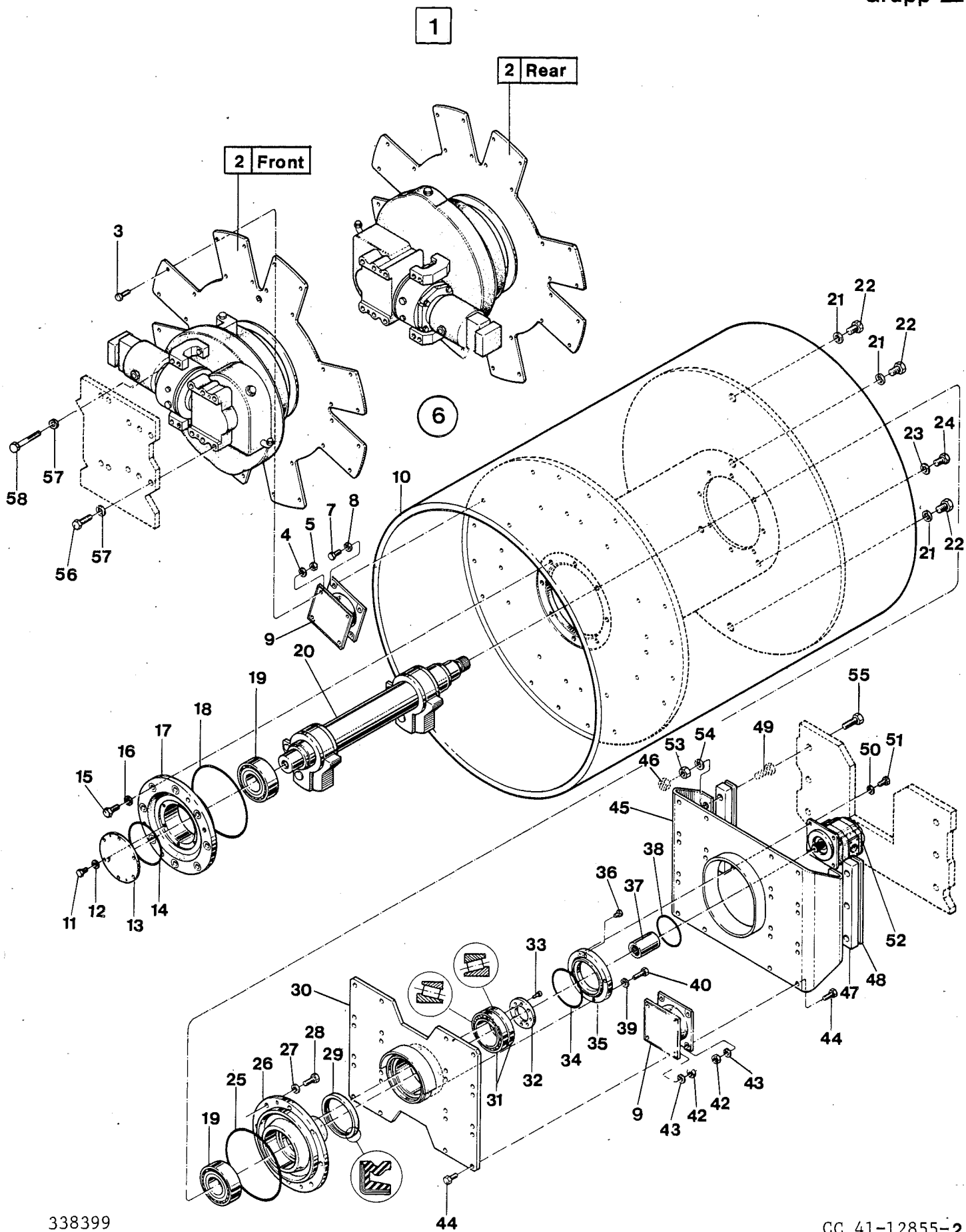


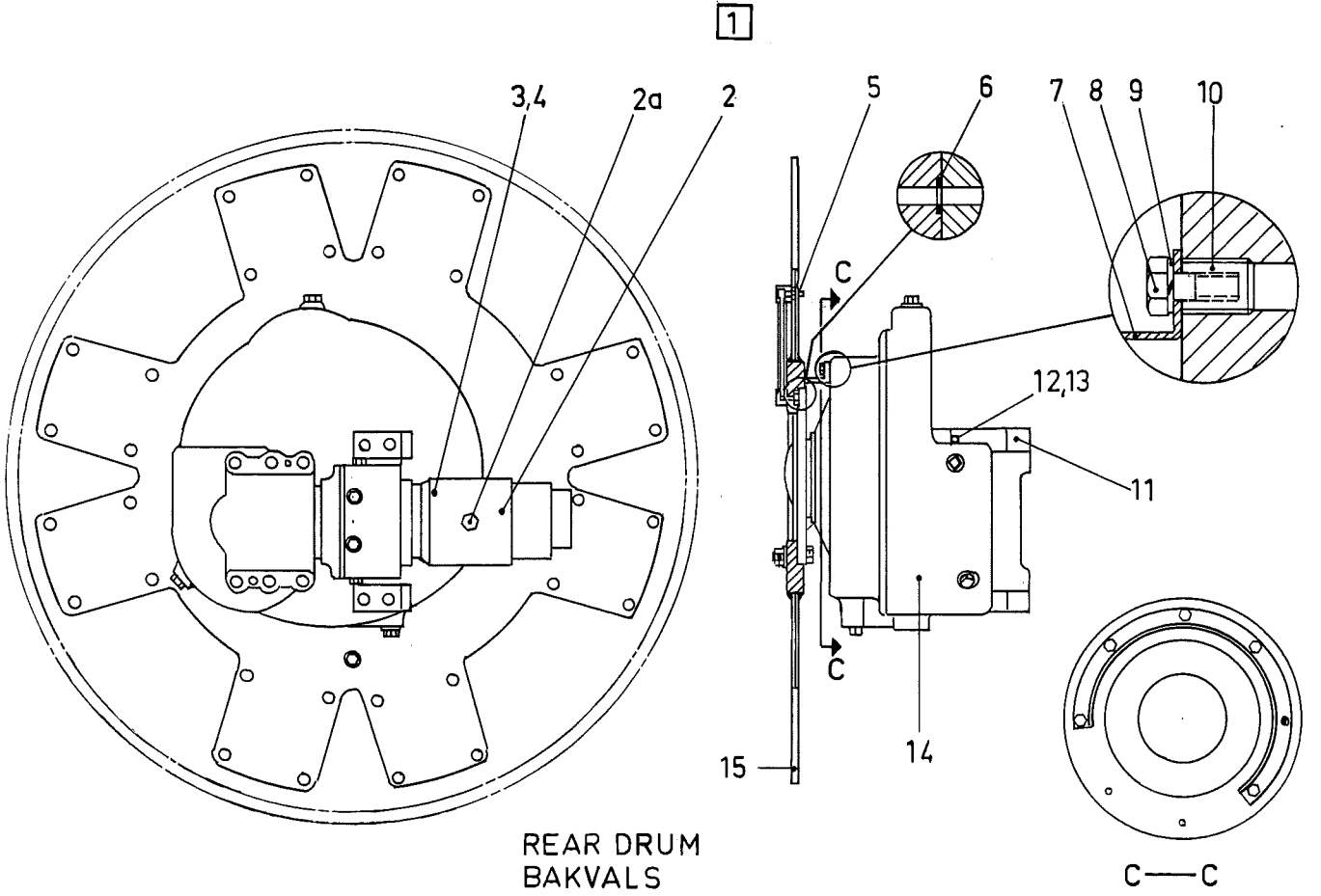
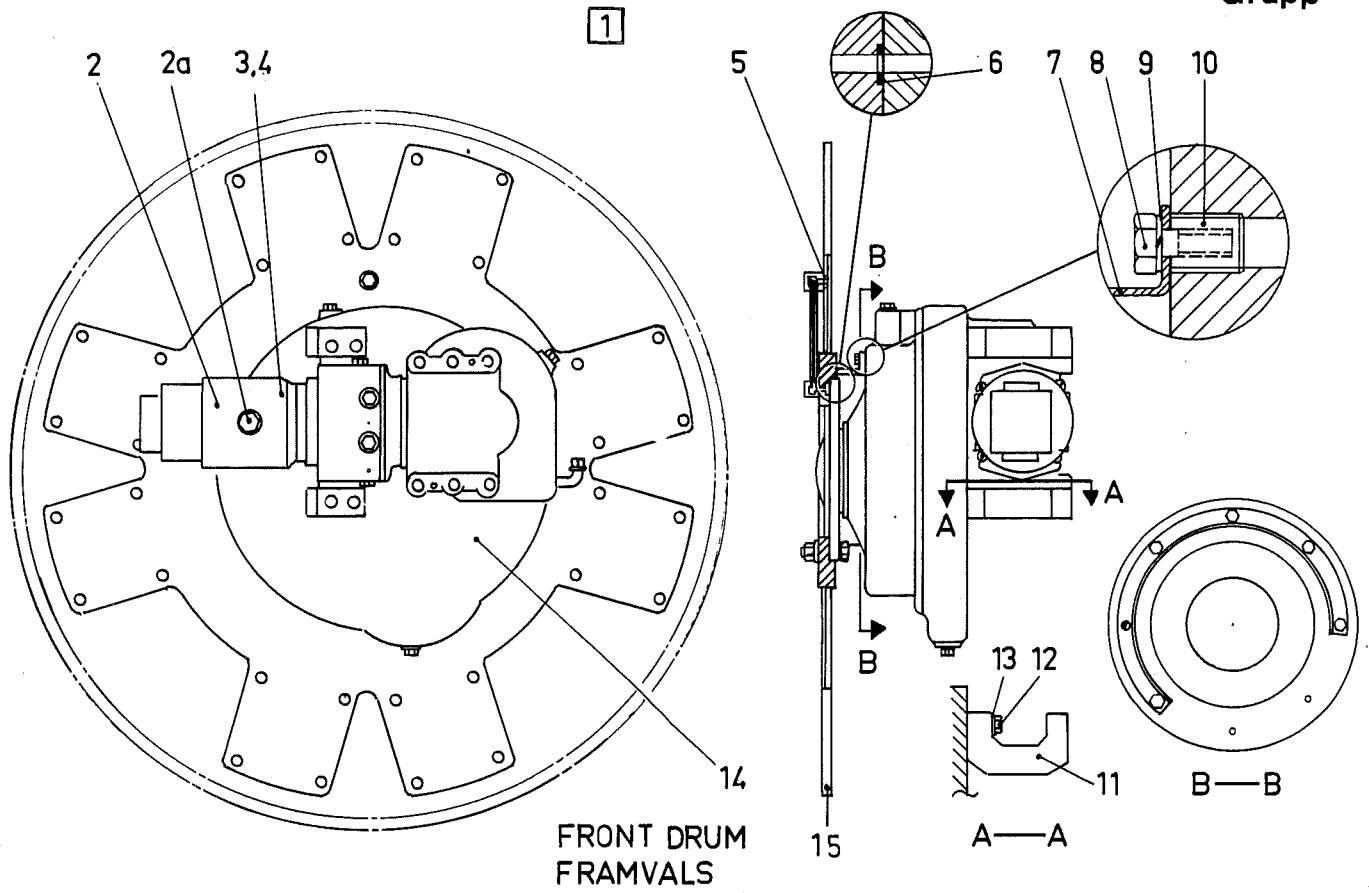


Rear sprinkler shown.
Front is equal.
Bakre bevattningsanordning
visas. Främre är lika.

1



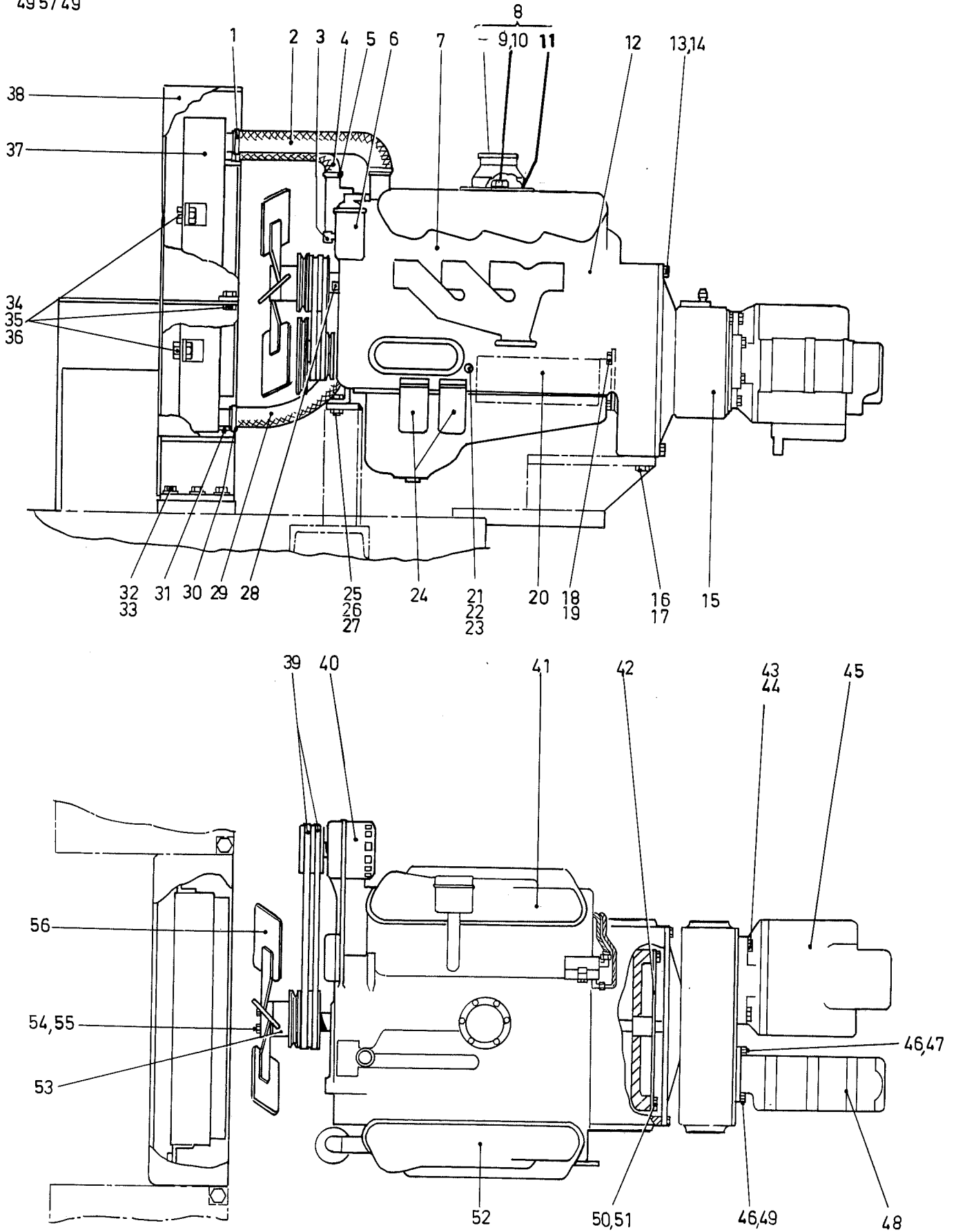




338397

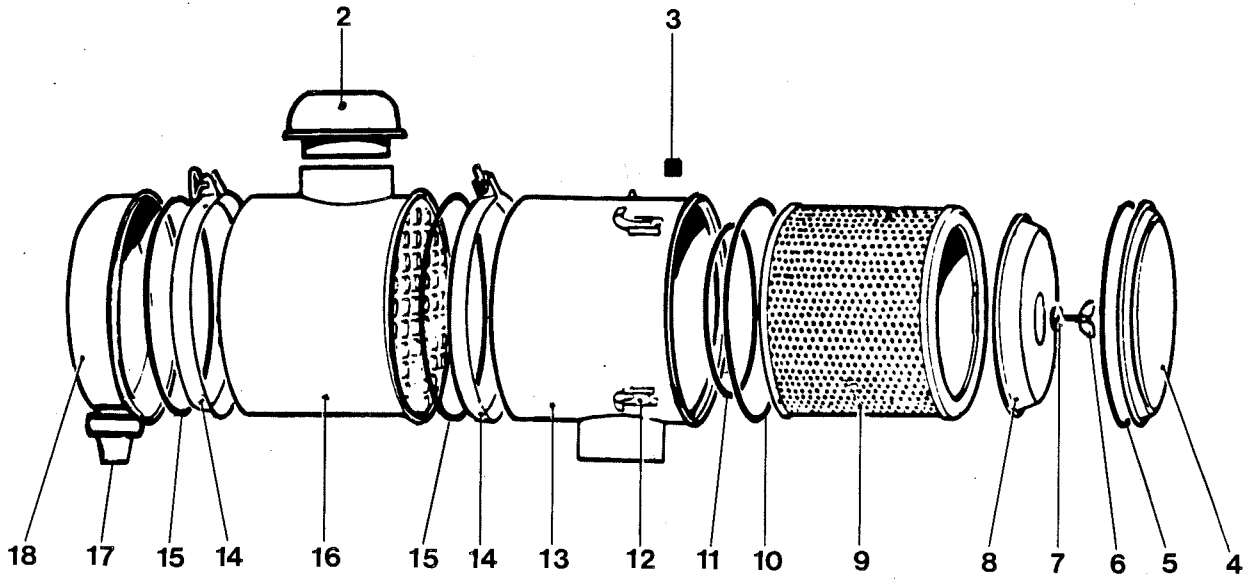
CC 41-12836-1

Valid to serial No.
495749



335895
335896

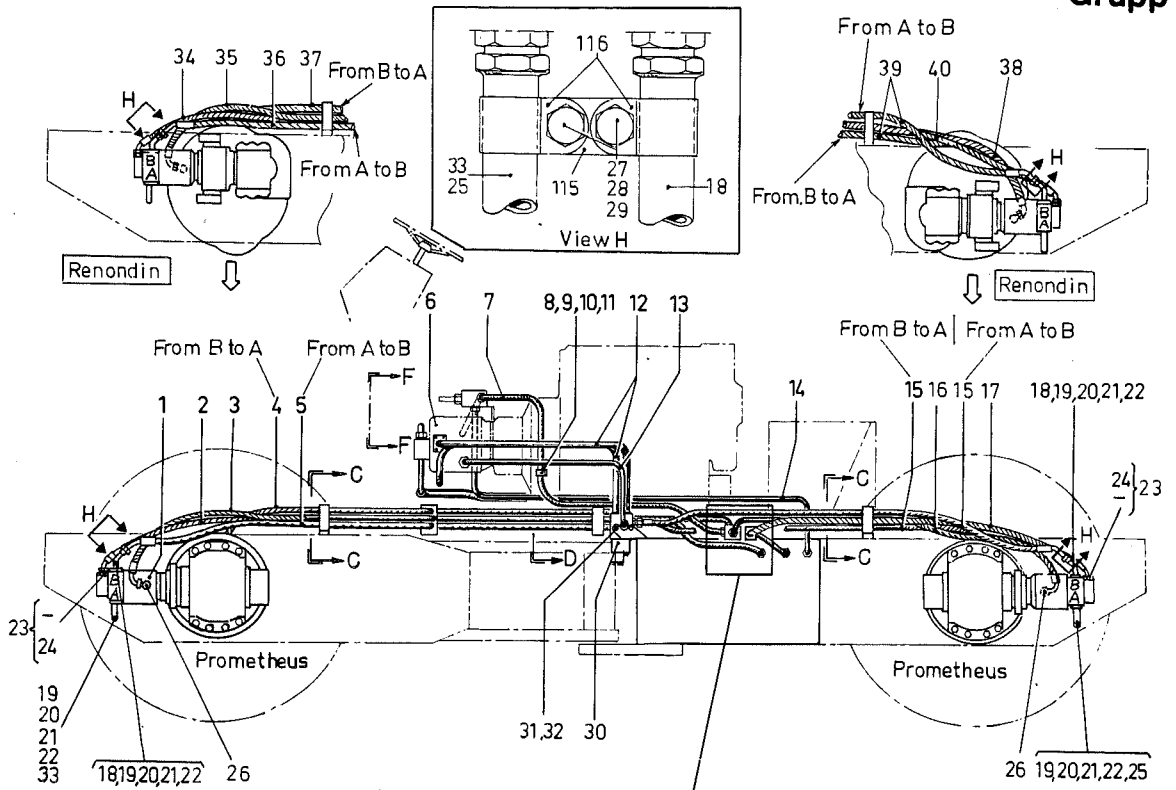
1



335985

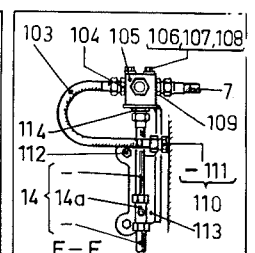
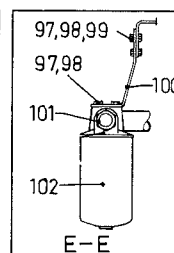
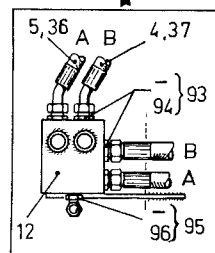
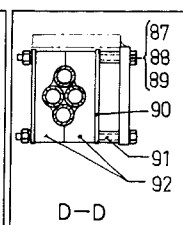
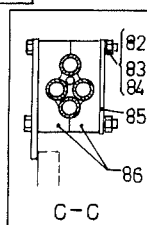
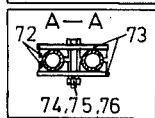
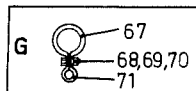
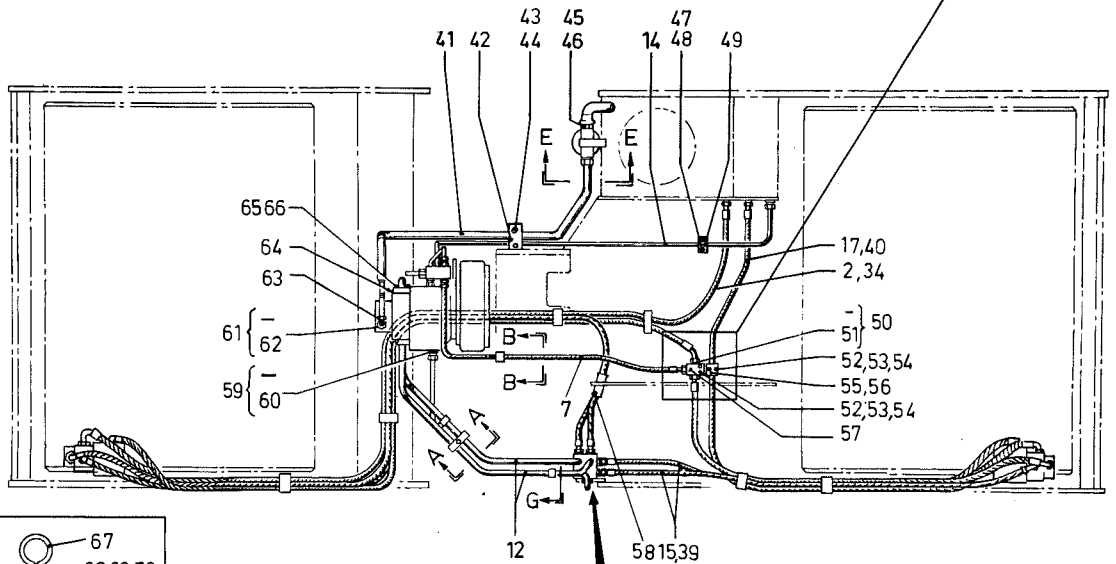
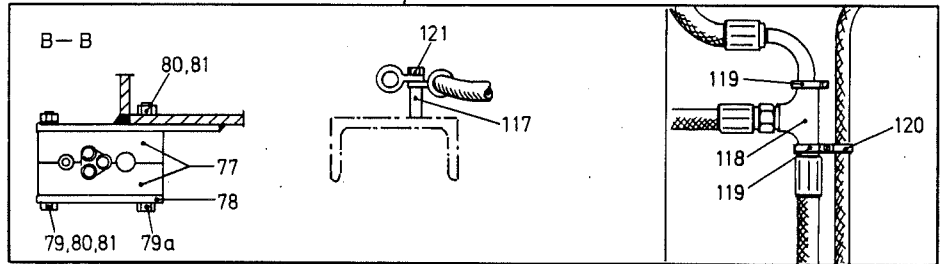
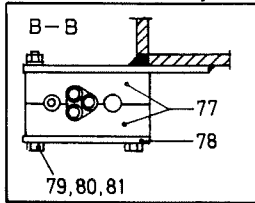
CC 41-12821-1



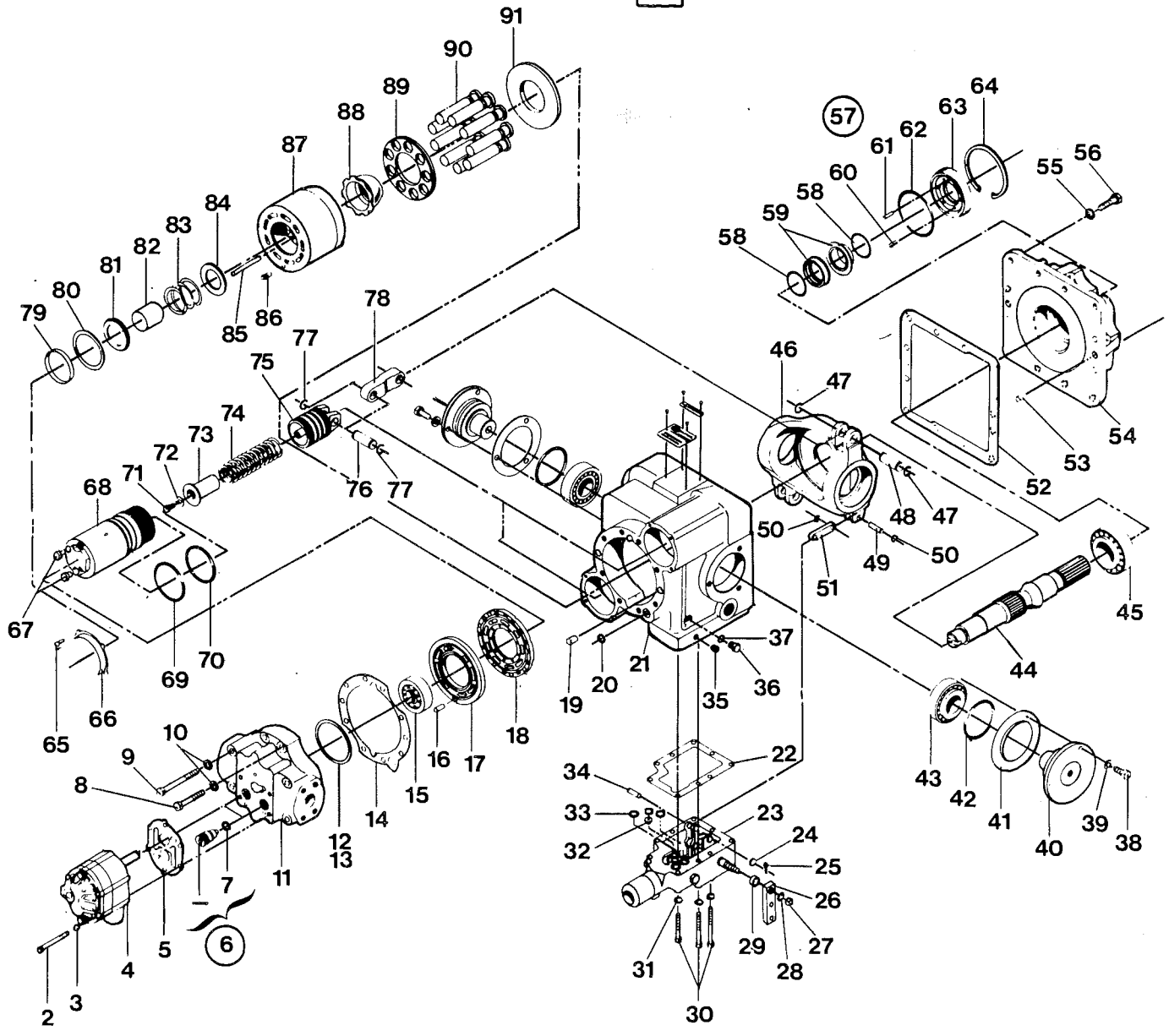


Valid from serial No. 4951267—

Valid from serial No. 495935 - 4951266 only

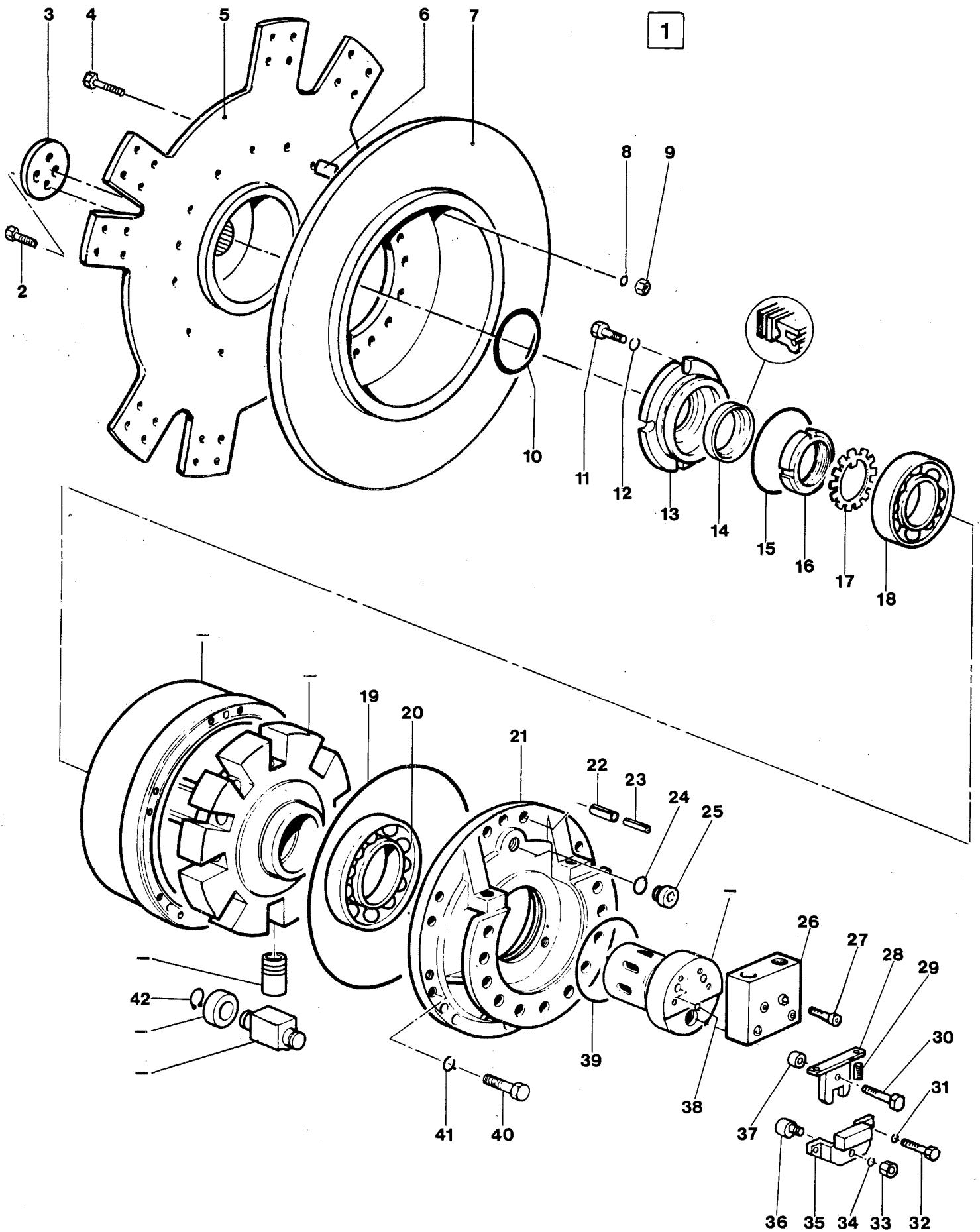


1



335898

CC 41-12845-1



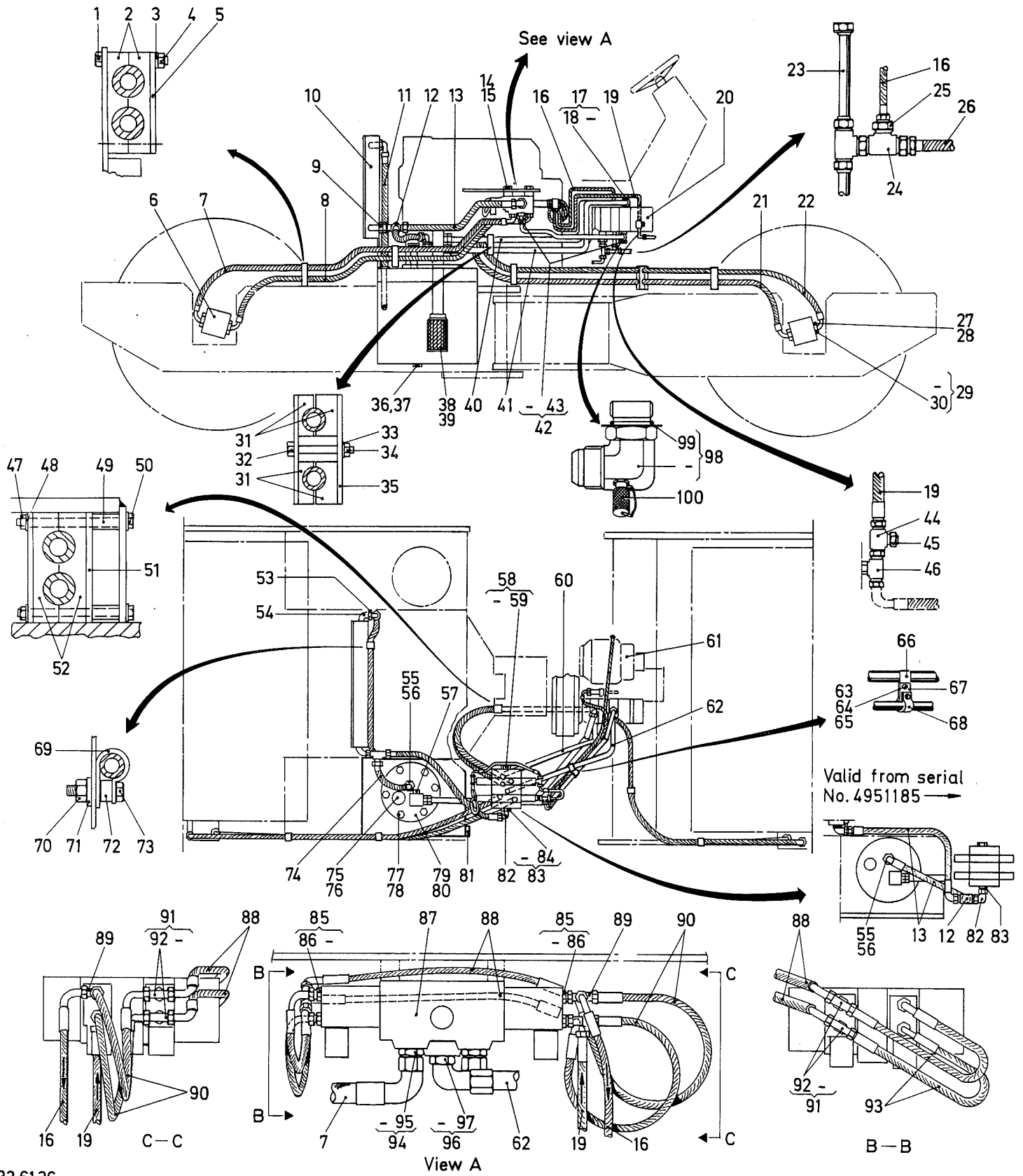
CLICK HERE TO **DOWNLOAD** THE COMPLETE MANUAL

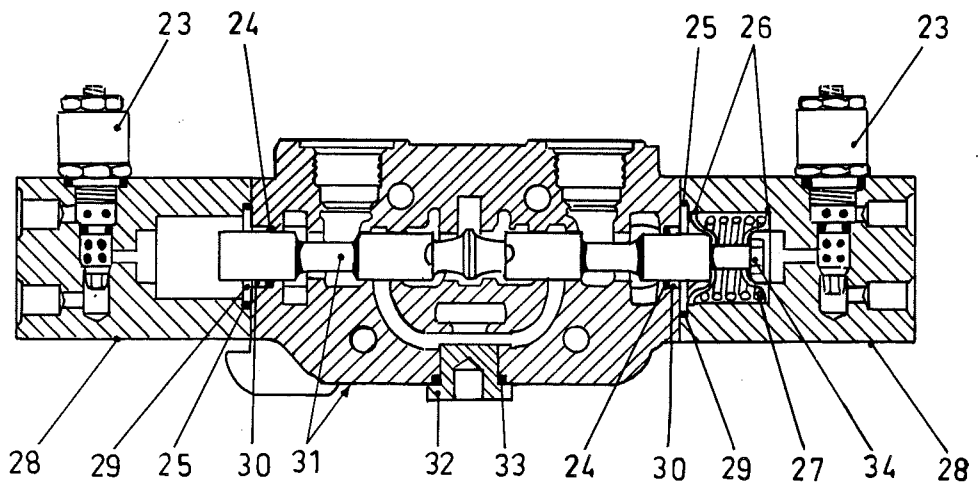
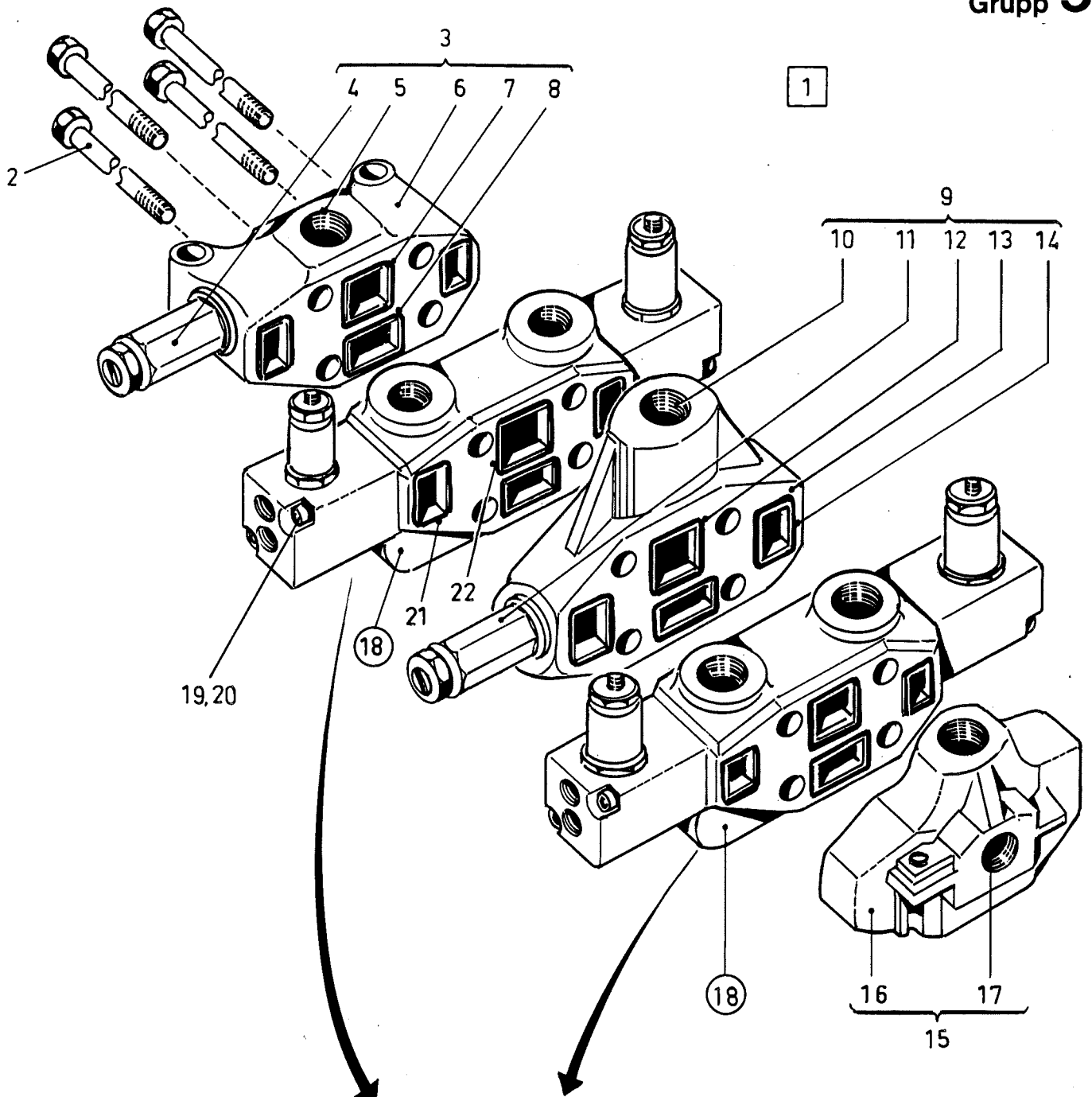
- Thank you very much for reading the preview of the manual.
- You can download the complete manual from: www.heydownloads.com by clicking the link below

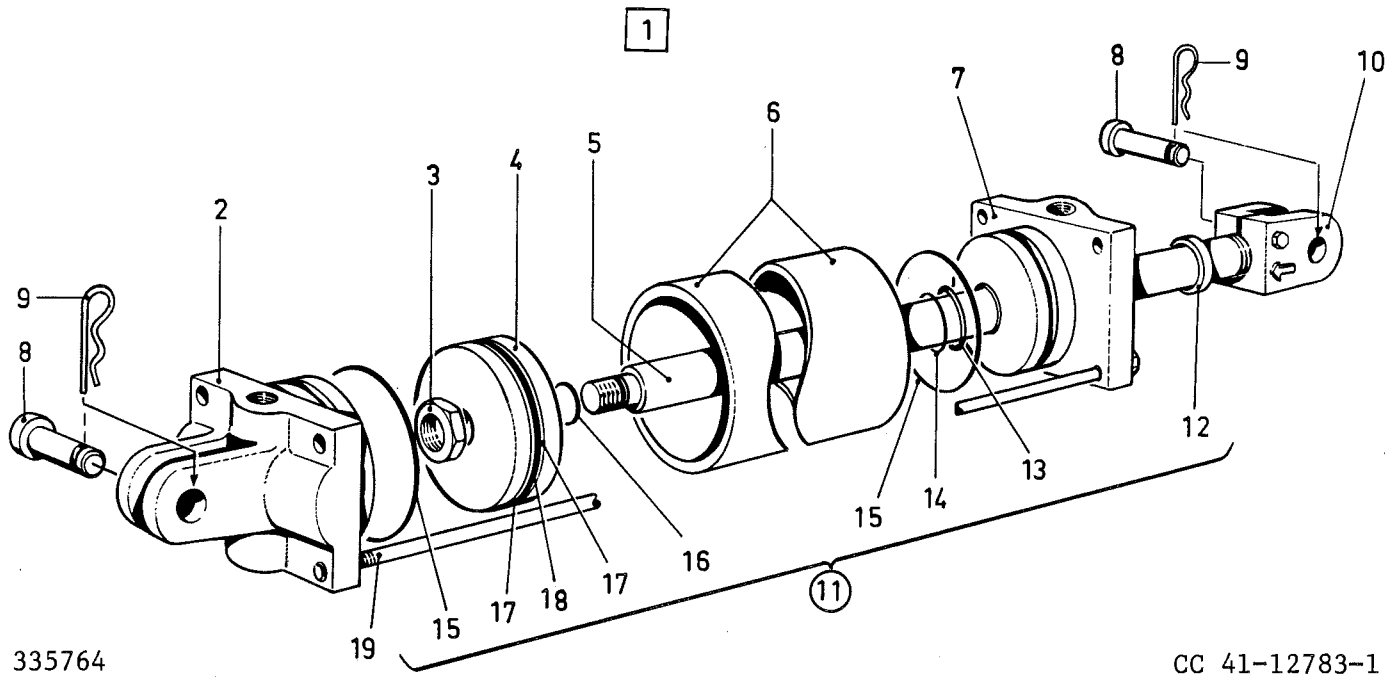


- Please note: If there is no response to CLICKING the link, please download this PDF first and then click on it.

CLICK HERE TO **DOWNLOAD** THE COMPLETE MANUAL

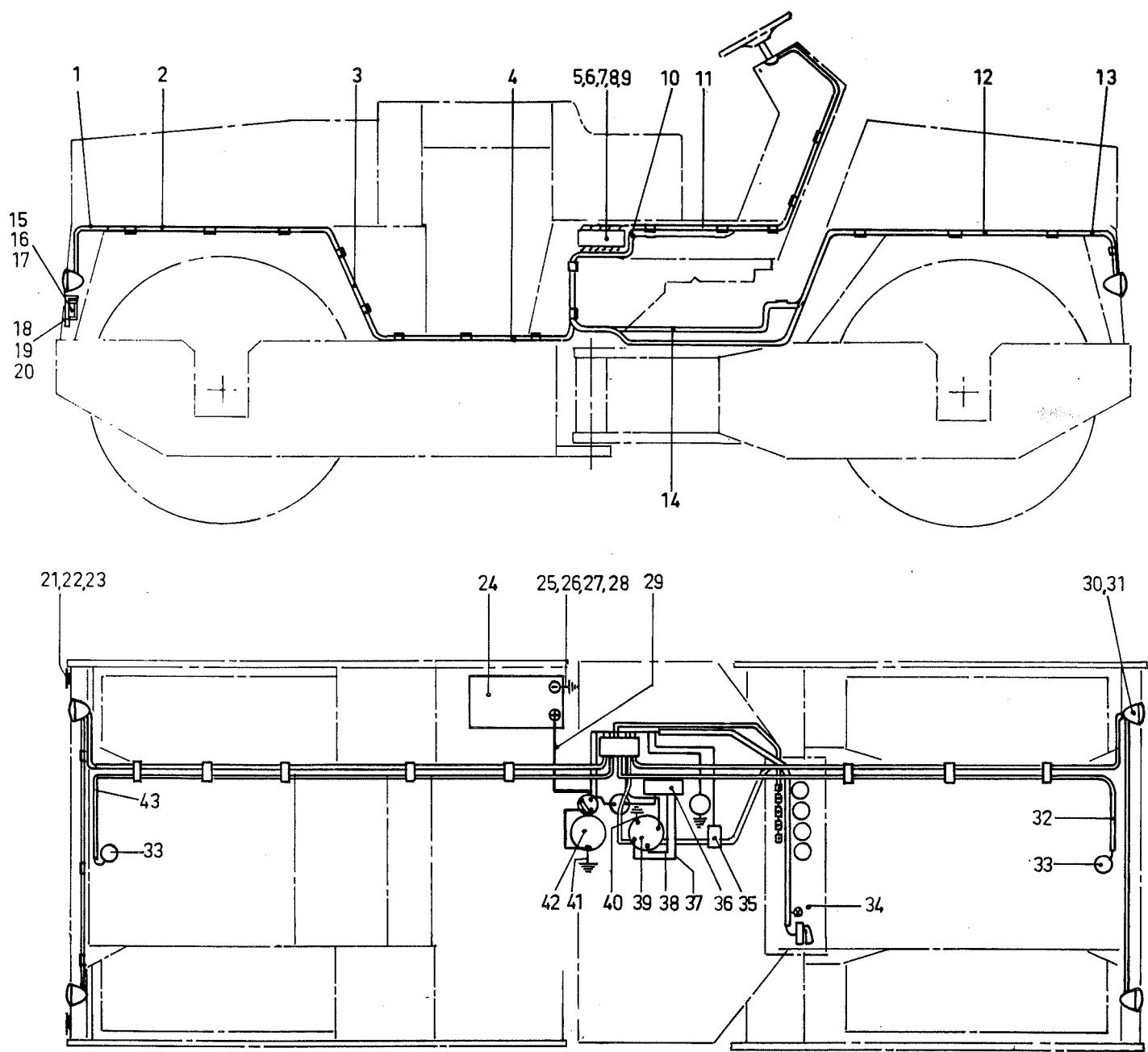






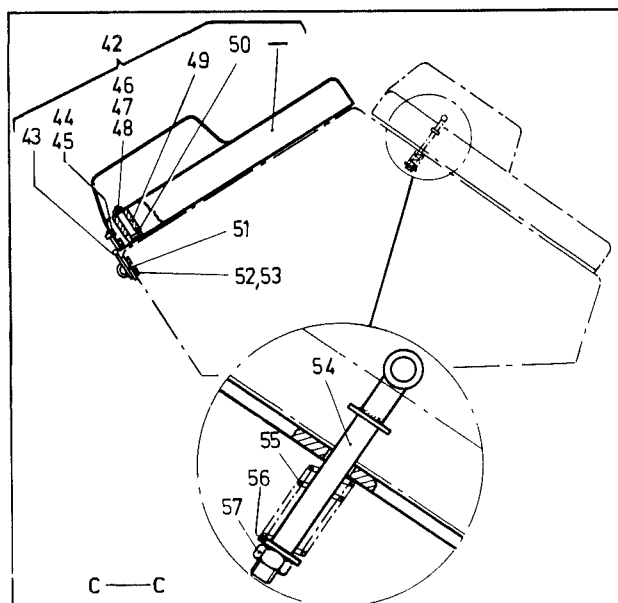
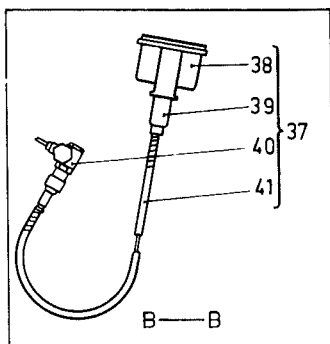
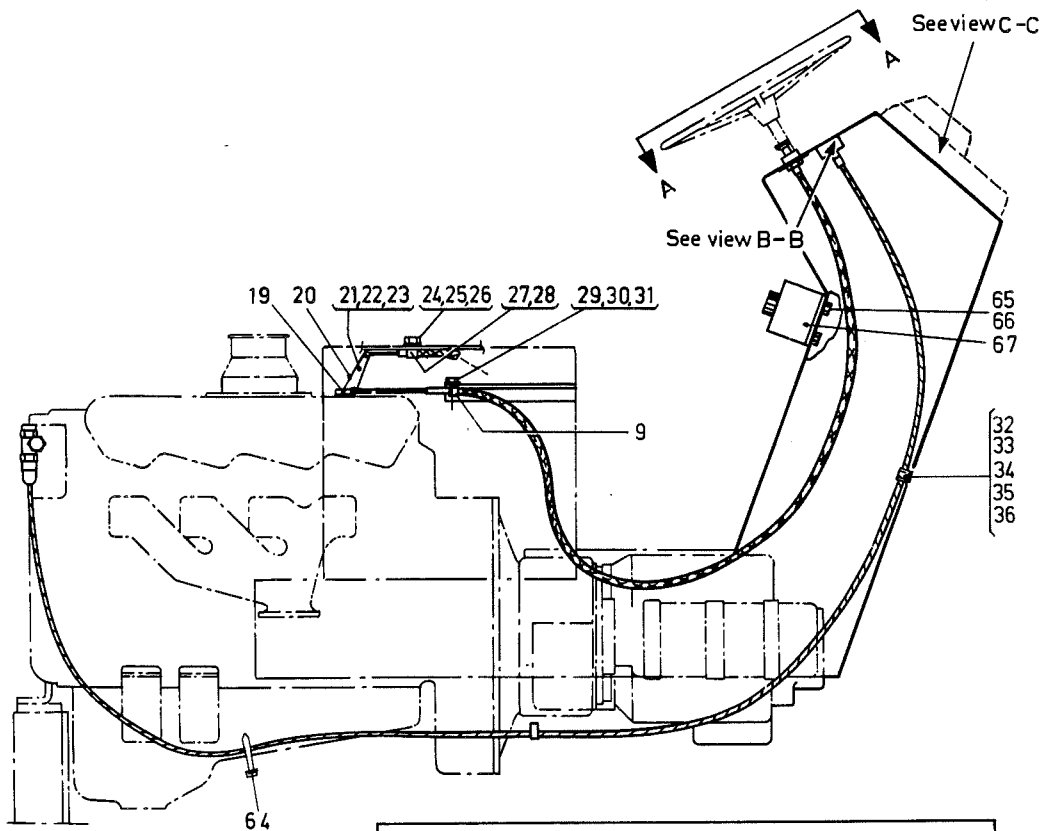
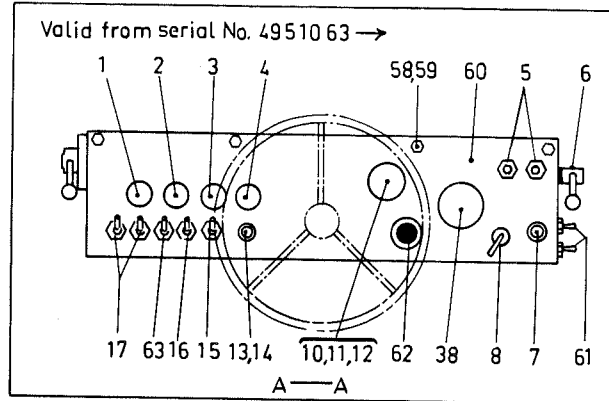
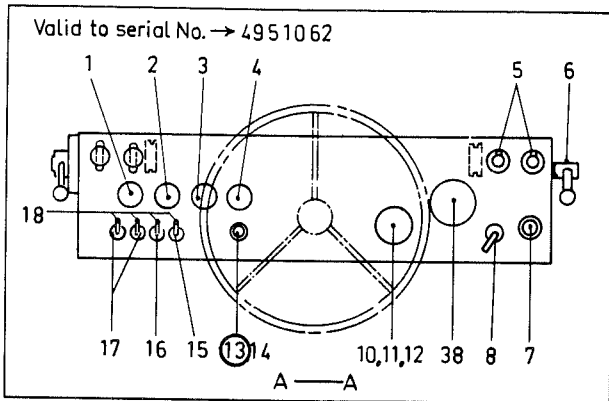
335764

CC 41-12783-1

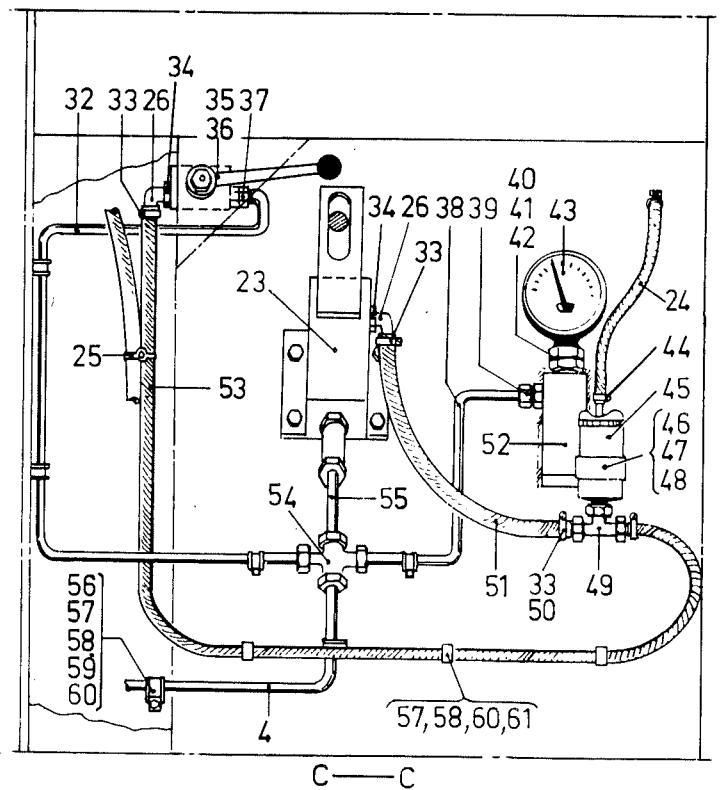
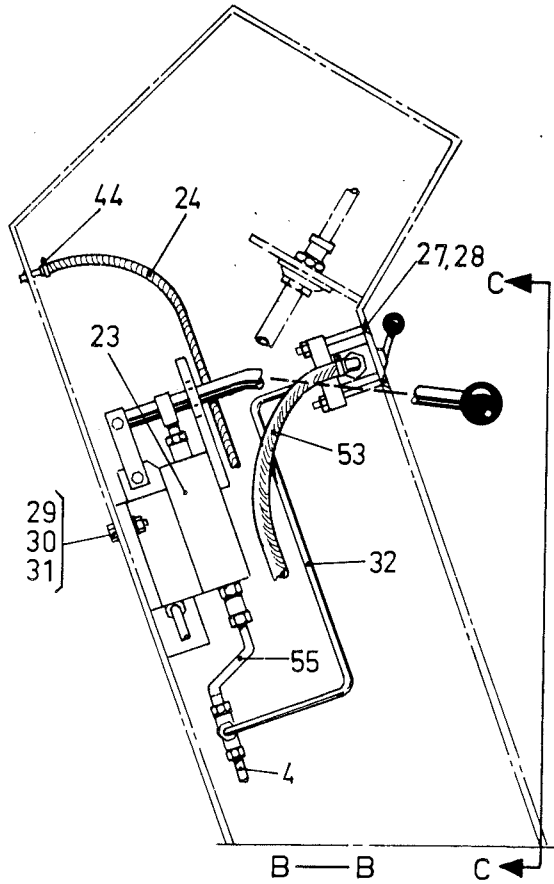
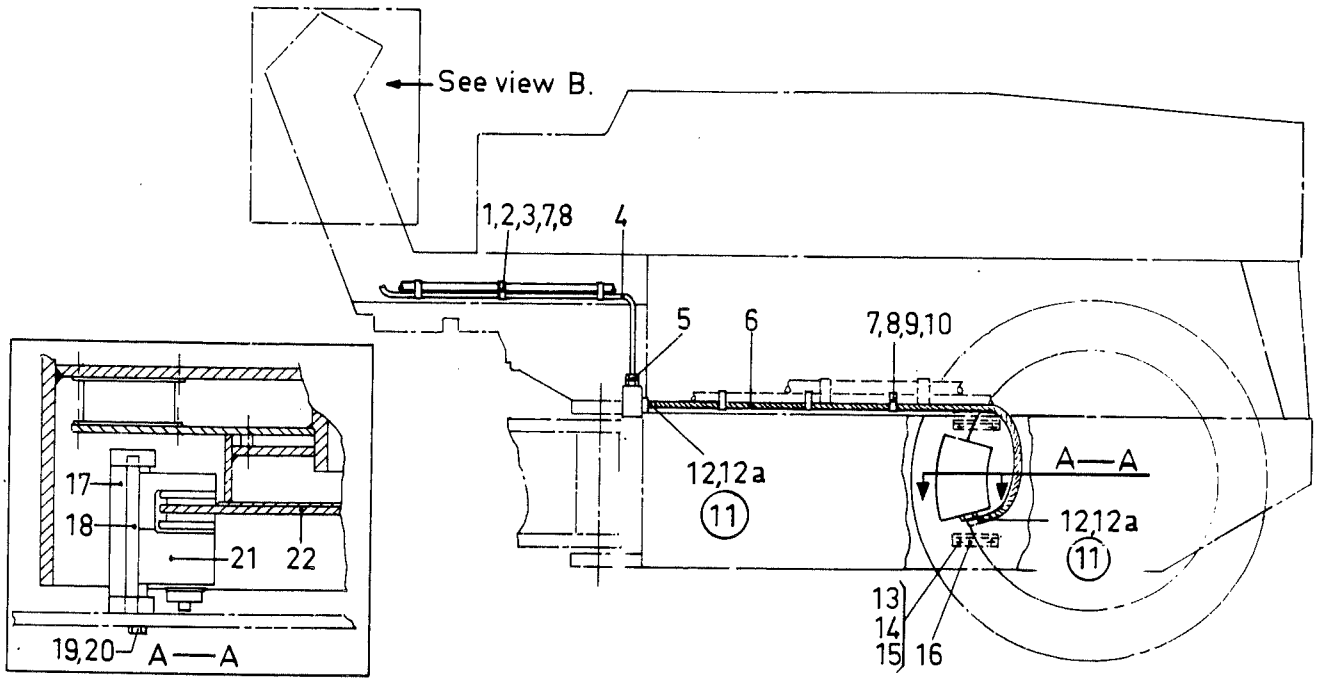


335970

CC 41-11369-2

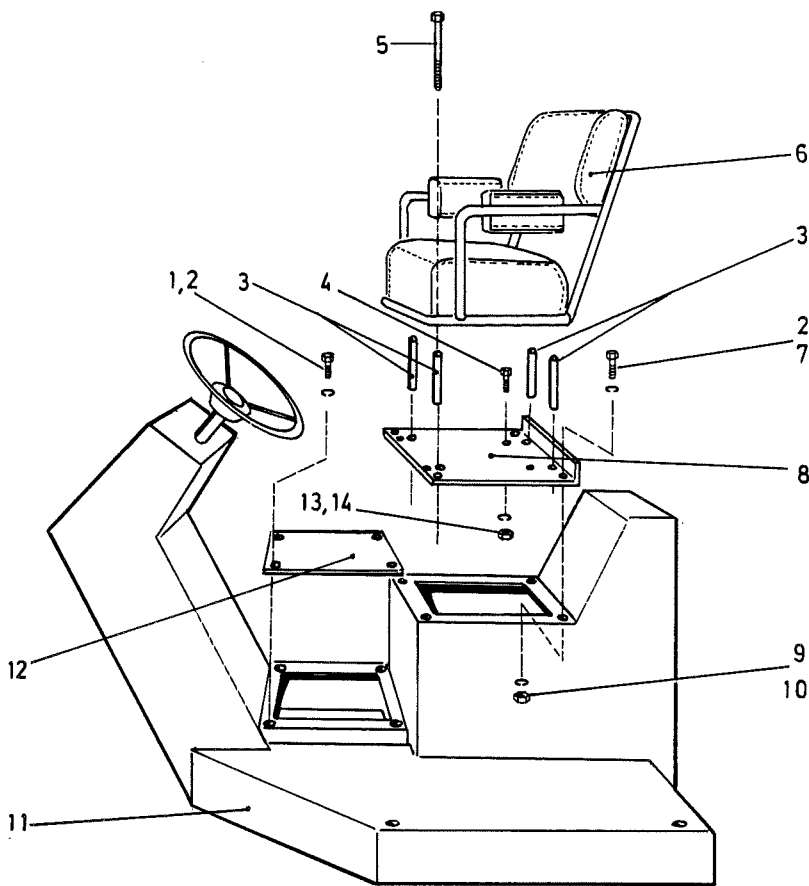


338305
335915

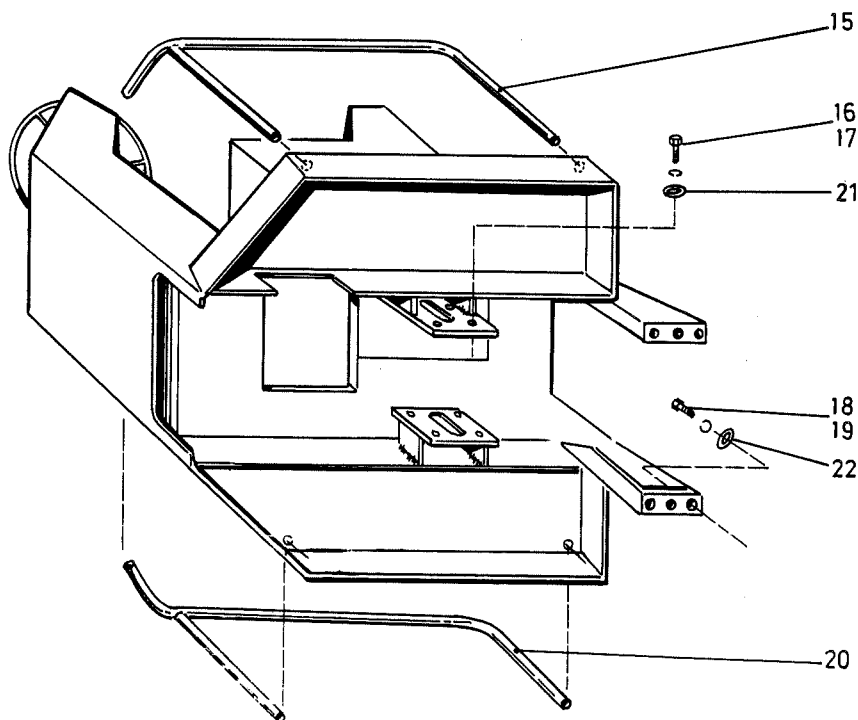
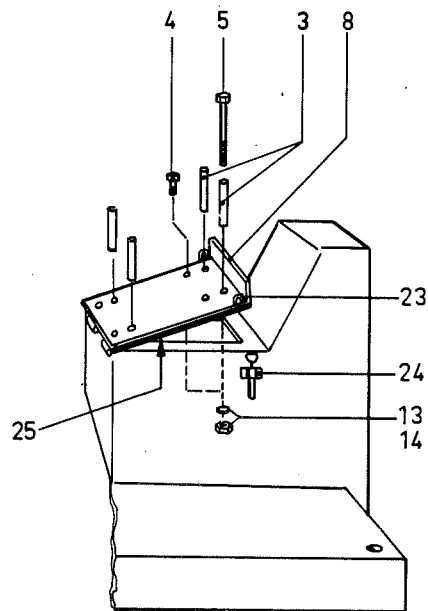


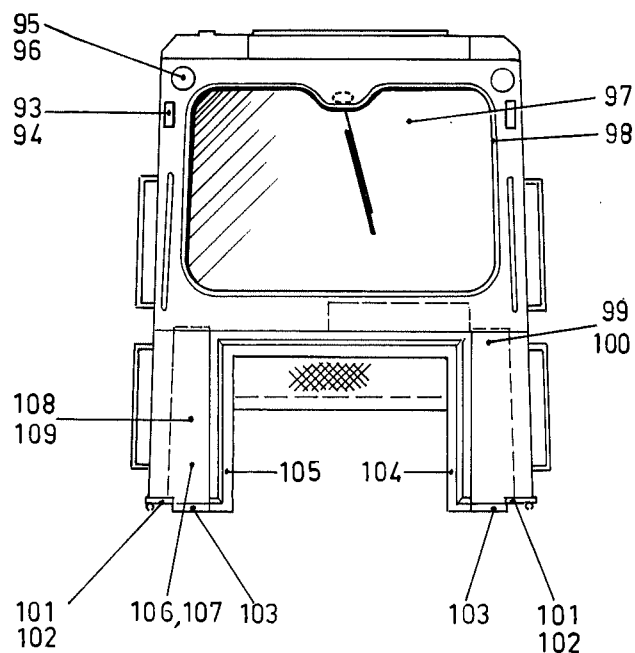
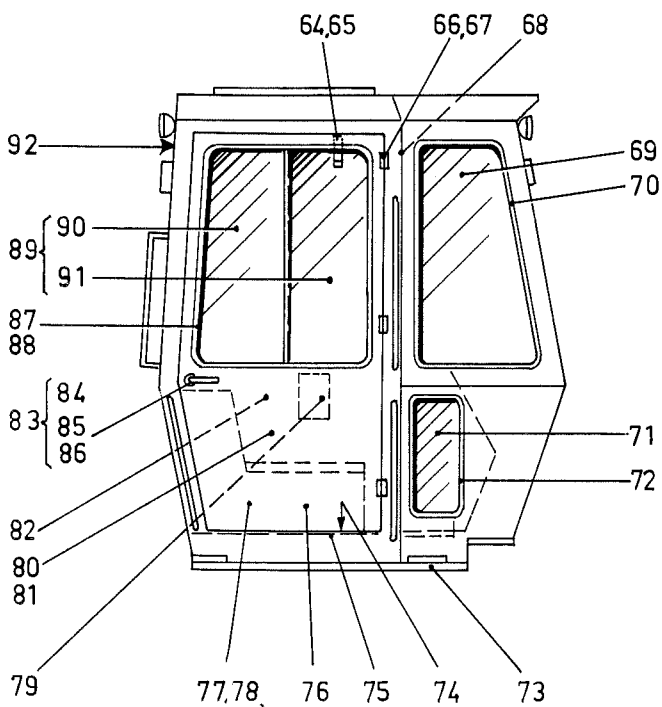
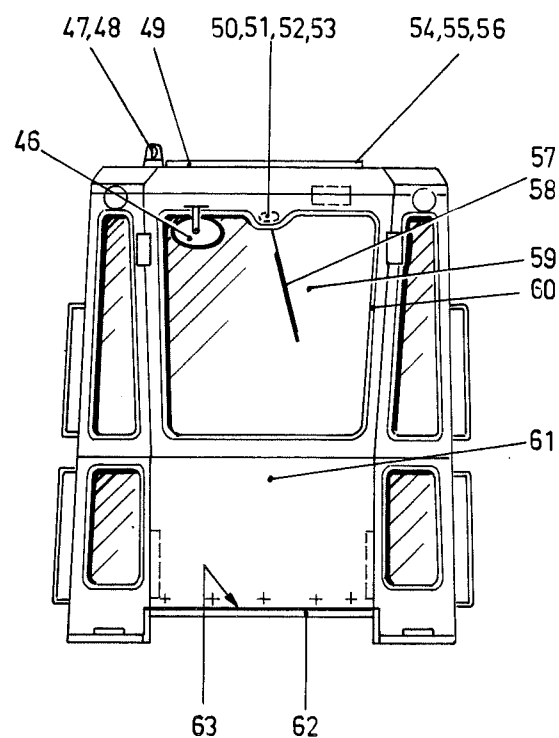
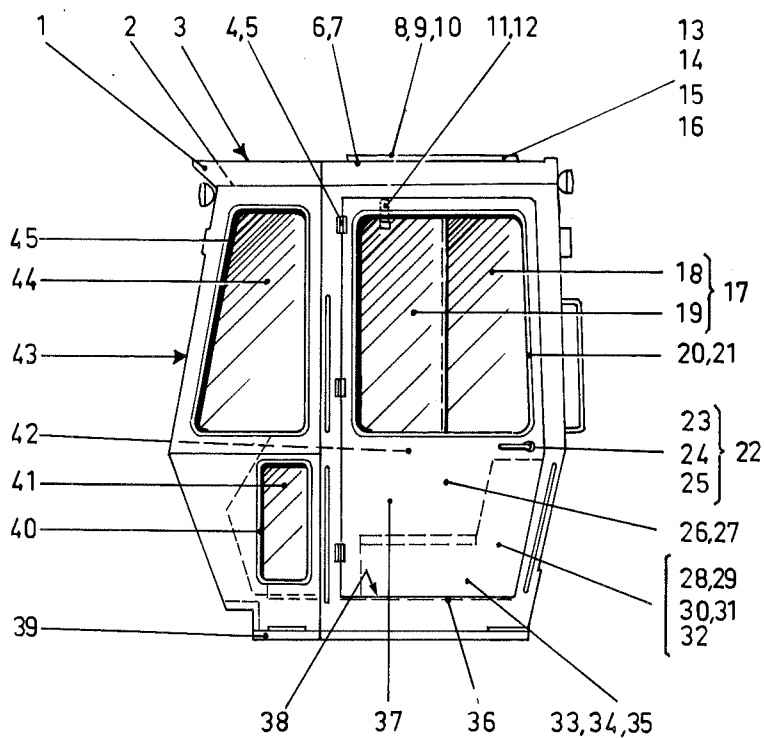
336003

CC 41-11368-4



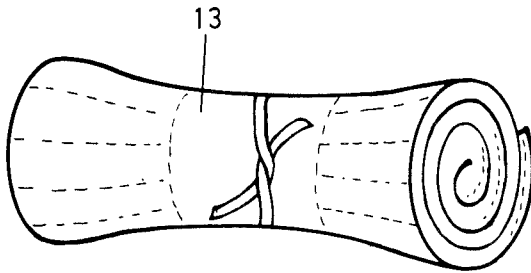
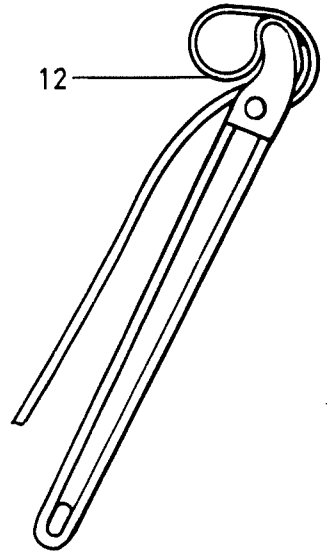
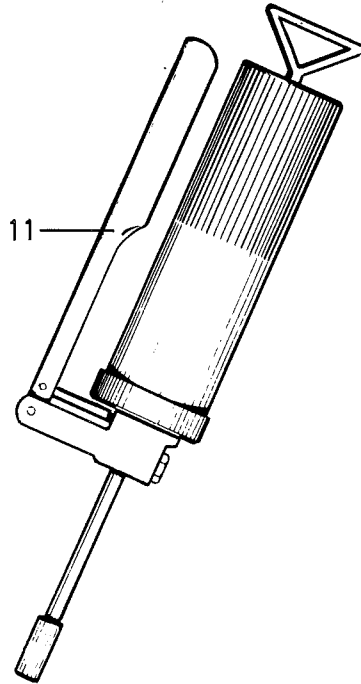
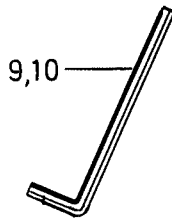
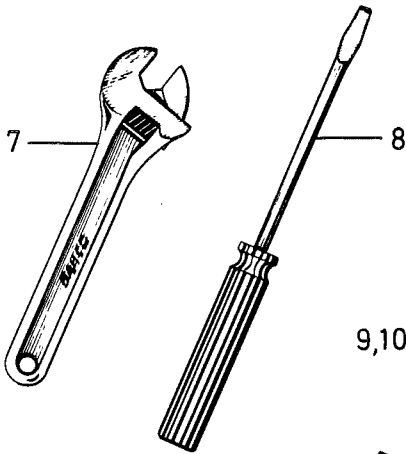
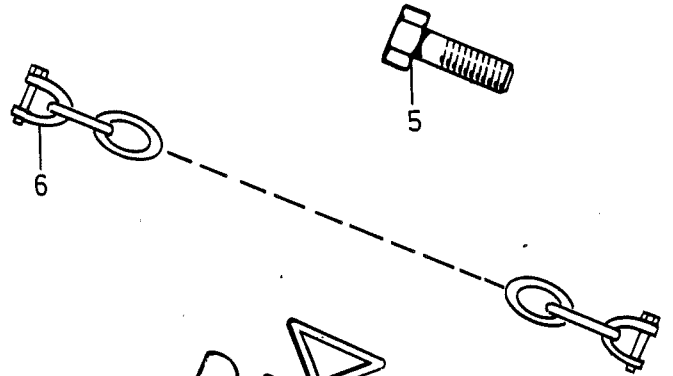
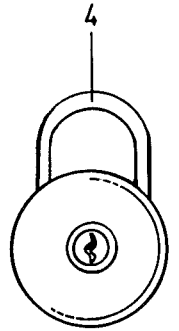
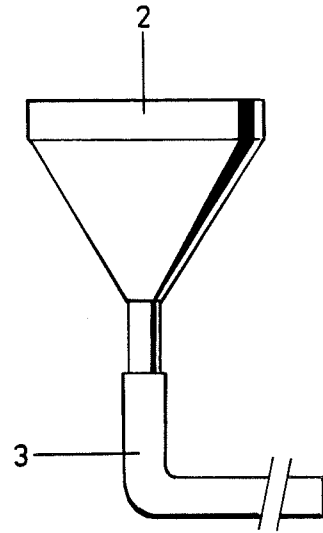
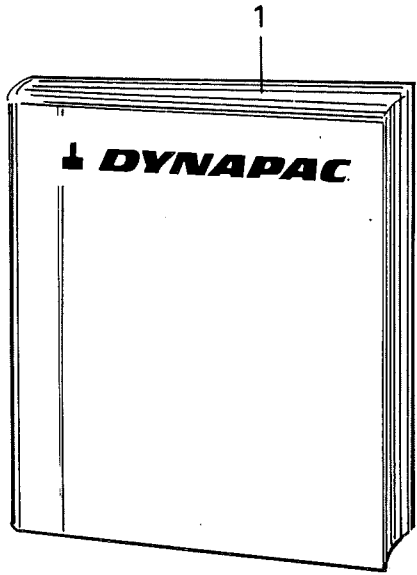
Valid from serial No. 4951185 →

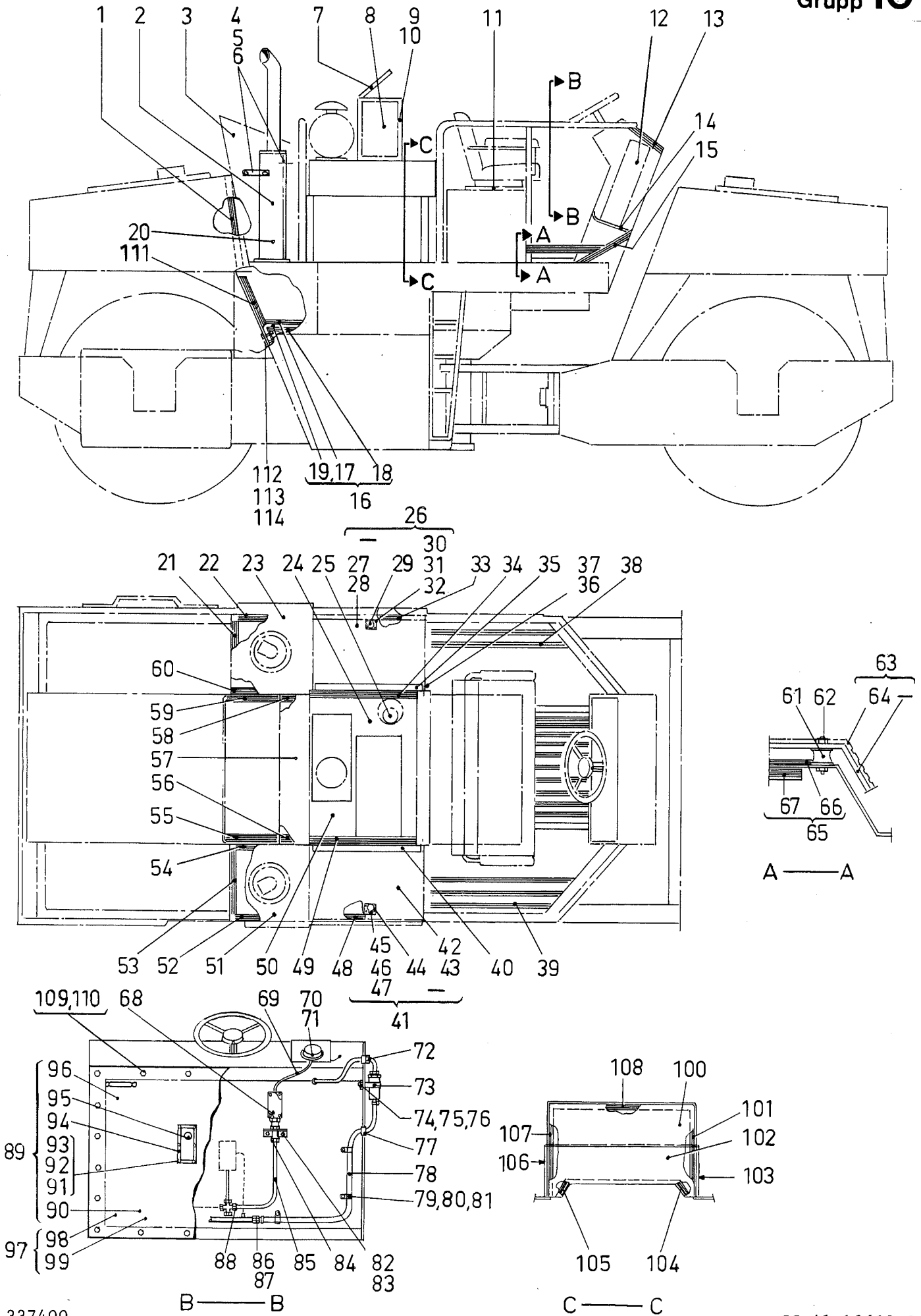




337335

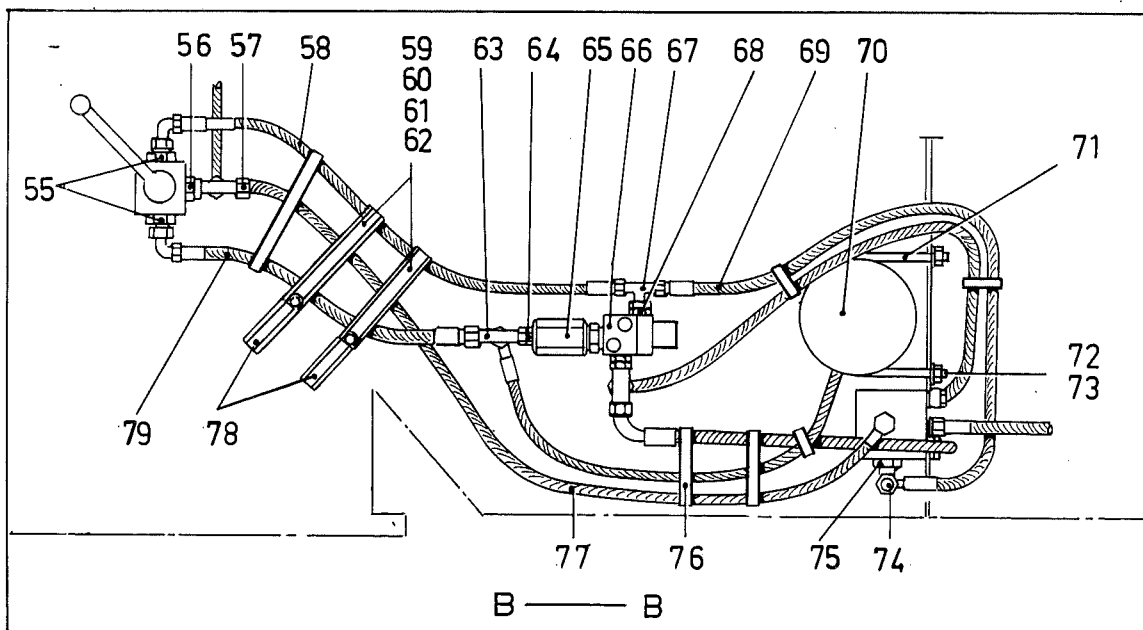
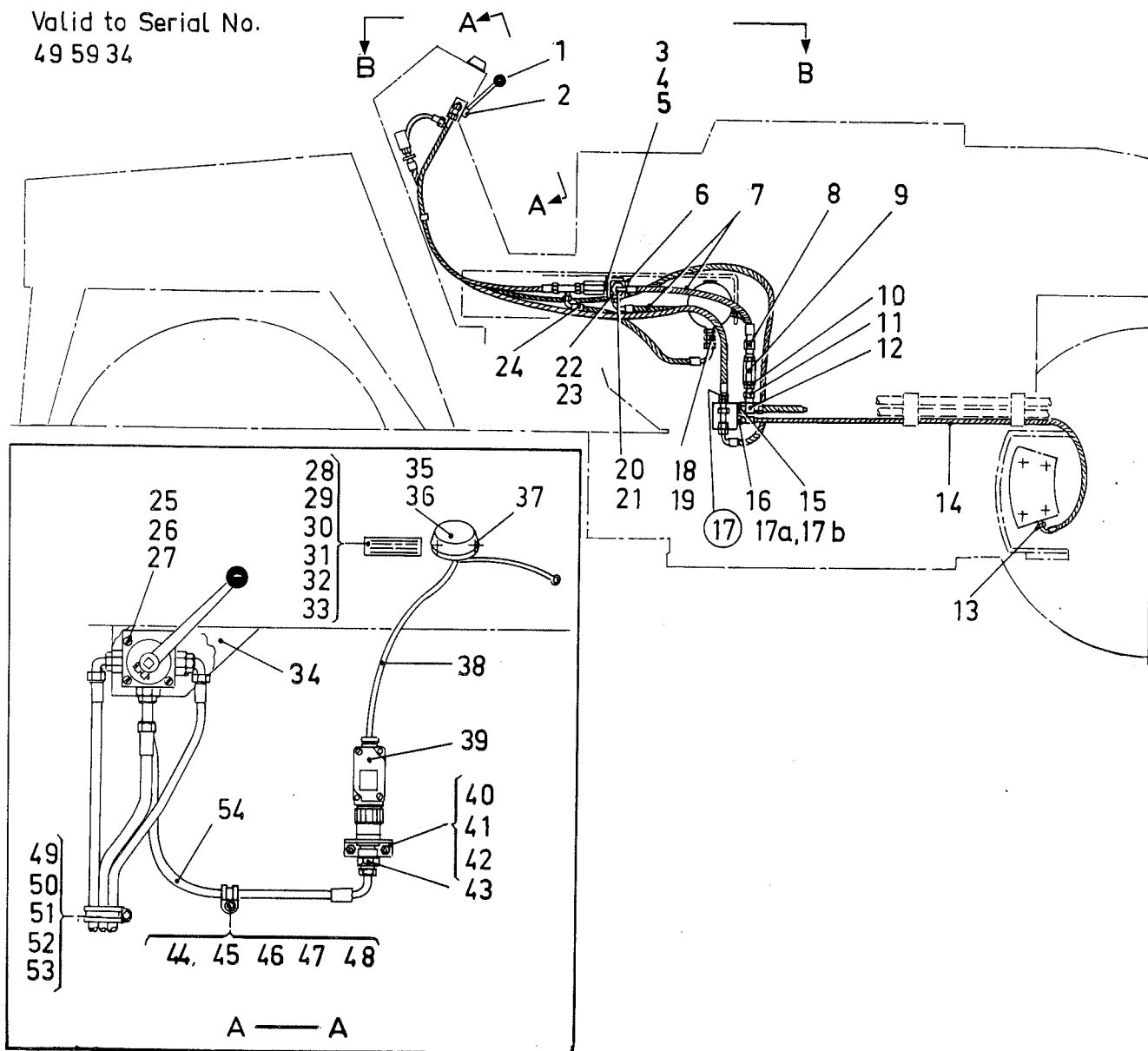
CC 41-12037-2





337400

Valid to Serial No.
49 59 34



CLICK HERE TO **DOWNLOAD** THE COMPLETE MANUAL

- Thank you very much for reading the preview of the manual.
- You can download the complete manual from: www.heydownloads.com by clicking the link below



- Please note: If there is no response to CLICKING the link, please download this PDF first and then click on it.

CLICK HERE TO **DOWNLOAD** THE COMPLETE MANUAL