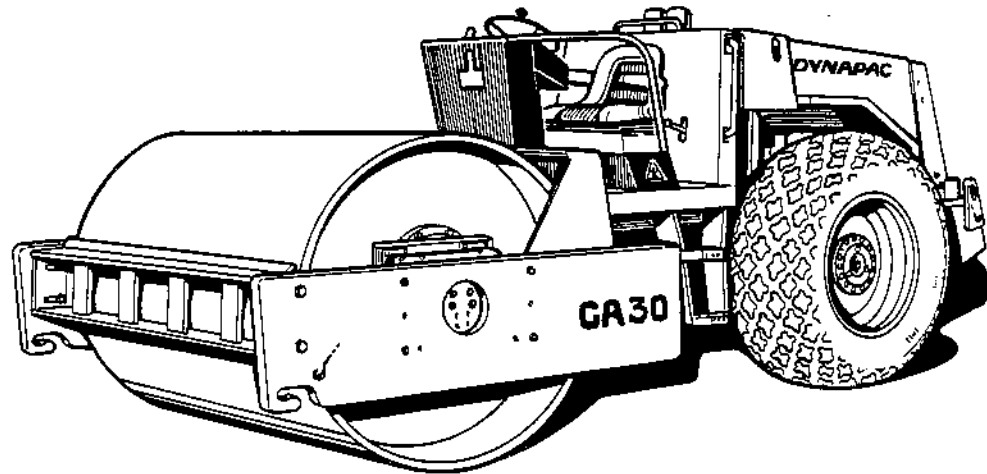


SPARE PARTS CATALOGUE



Caterpillar diesel engine D 3208
Deutz diesel engine F6L 912
Detroit diesel engine GM 3-53 T

SPARE PARTS CATALOGUE

CA 30

Series 2

VIBRATORY ROLLER

S-10202-2

Replaces
Ersätter
S-10202-1

 **DYNAPAC**

Heavy Equipment AB
Spare Parts

P.O. Box 1103 • S - 171 22 SOLNA • SWEDEN • Telephone 08-733 70 00
Cables Dynapac, Stockholm • Telex 195 31 dynsol s • Telefax 08 • 29 55 35

We reserve the right to change specifications without notice

CLICK HERE TO **DOWNLOAD** THE COMPLETE MANUAL

- Thank you very much for reading the preview of the manual.
- You can download the complete manual from: www.heydownloads.com by clicking the link below



- Please note: If there is no response to CLICKING the link, please download this PDF first and then click on it.

CLICK HERE TO **DOWNLOAD** THE COMPLETE MANUAL

Page Sida 6	Group Grupp 00	Picture No Bild nr 13973-1	Issue Utgåva S-10202-2	GENERAL VIEW Contents	HUVUDSAMMANSTÄLLNING Innehåll
-------------------	----------------------	----------------------------------	------------------------------	--------------------------	----------------------------------

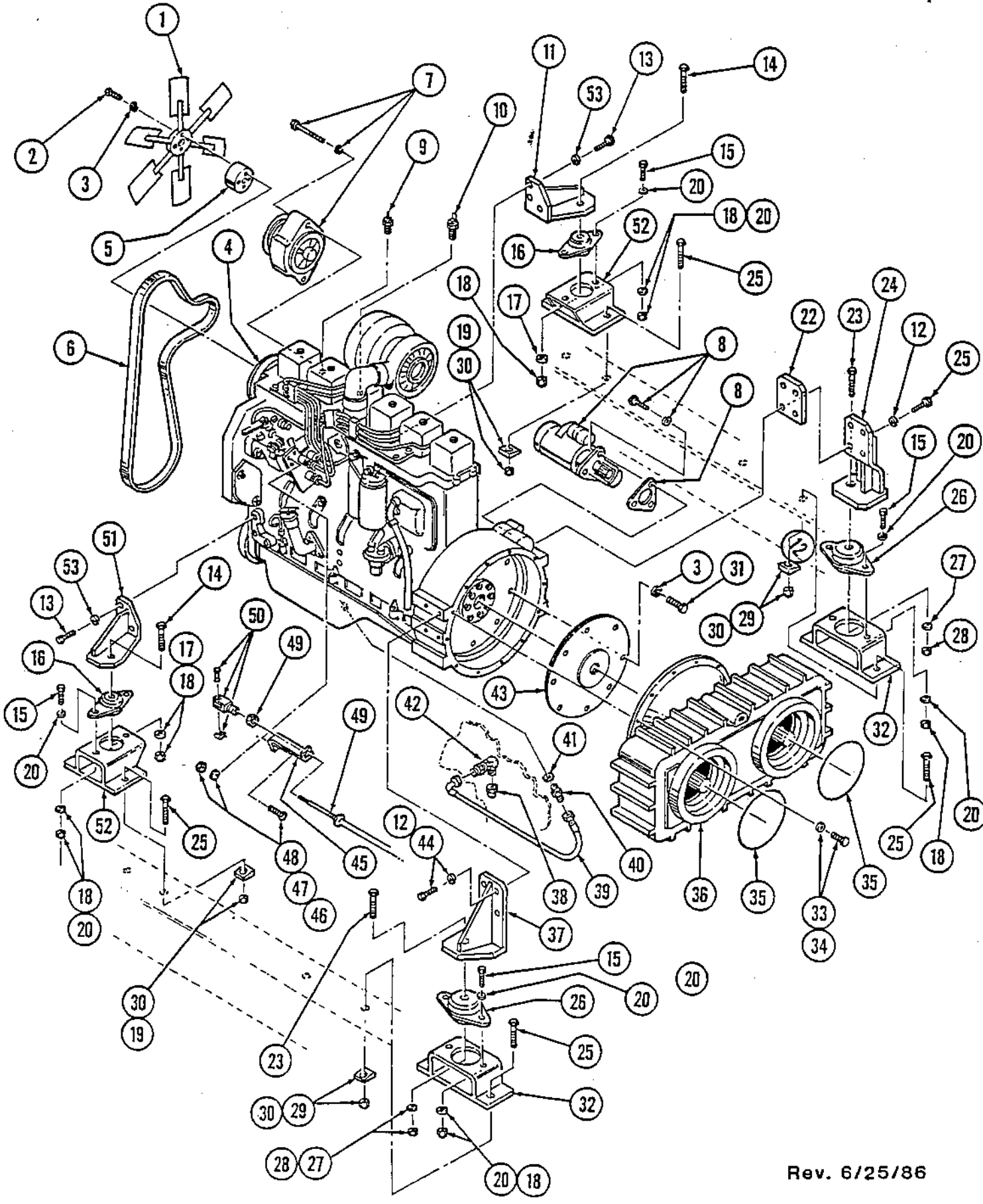
Ref Pos	Group Grupp	Description	Benämning	See page Se sid
10	Group 10	OPTIONAL EQUIPMENT	EXTRA UTRUSTNING	
*		•Working light	•Arbetsbelysning	2
*		•Rotating warning light	•Roterande varningsljus	4
*		•Compaction meter	•Packningsmätare	6
*		•Frequency meter	•Frekvensmätare	8
*		•Measure panel	•Mätpanel	10
*		•Drum conversion kit	•Ombyggnadssats	
*		CA30 to CA30D	CA30 till CA30D	12
*		CA30 to CA30D without new drum	CA30 till CA30D utan ny vals	14
*		CA30D to CA30PD	CA30D till CA30PD	16
*		CA30PD to CA30D	CA30PD till CA30D	18
*		•Canopy	•Sol och regnskydd	20
*		•Rops platform	•Rops plattform	22
*		•Rops and cab kit	•Rops och hytt sats	24
*		•Rops	•Rops	26
*		•Cab kit	•Hyttsats	28
*		•Cab	•Hytt	30
*		•Cab, heater	•Hytt, värmare	34
*		•Cab, ventilation	•Hytt, ventilation	36
*		•Cab, aircondition	•Hytt, luftkonditionering	38
*		•Noise supression	•Bullerdämpning	40
*		•Side covers	•Sidoluckor	42
*		•Exhaut pipe	•Avgasrör	44
*		NUMERICAL REGISTER	NUMMERREGISTER	

Page Sida		Group Grupp		Picture No Bild nr		Issue Utgåva		SCRAPER		SKRAPA	
8		01		13976-1		S-10202-2					
Ref Pos	Quantity/Antal			Part No Art nr	Description	Benämning	Note Anmärkning	C, P K, L			
	CA	30 D	30 PD								
1	1	1	-	34 58 63	Scraper	Skrapa		D4			
2	4	4	4	58 60 23	Nut	Mutter					
3	4	4	4	60 30 05	Washer	Bricka					
4	4	4	4	50 01 47	Screw	Skruv					
5	-	-	1	34 58 77	Padfoot scraper, cpl.	Skrapa för pads, kpl.					
6	-	-	18	80 16 31	•Bolt	•Ledbult					
7	-	-	18	80 16 30	•Scraper	•Skrapa		D4			
8	-	-	1	34 58 64	•Scraper beam	•Skrapbalk					
9	-	-	4	34 58 91	Shim, 3 mm	Mellanlägg, 3 mm					

Page Sida	Group Grupp	Picture No Bild nr	Issue Utgåva	DRUM	VALS			
6	02	13979-2	S-10202-2					
Ref Pos	Quantity/Antal			Part No Art nr	Description	Benämning	Note Anmärkning	C, P K, L
	CA	30 D	30 PD					
1	1	-		34 34 83	Drum with drive unit, cpl.	Vals med drivenhet, kpl.		
	-	1		34 63 08	Padfoot drum with drive unit, cpl.	Padvals med drivenhet, ... kpl.		
2	24	24		50 00 37	•Screw	•Skruv		
3	24	24		60 00 09	•Washer	•Bricka		
4	24	24		58 60 19	•Nut	•Mutter		
5	1	1		34 07 61	•Drive unit, cpl.	•Drivenhet, kpl.		C4
6	12	12		50 30 56	•Screw	•Skruv		
7	12	12		61 50 47	•Conical spring washer	•Spännbricka		
8	1	1		34 07 63	•Bracket	•Hållare		
9	1	1		80 11 50	•Torque hub	•Planetväxel		
10	1	1		34 07 62	Comps, page 10 •Drive plate	Det. se sida 10 •Drivplatta		
11	12	12		81 38 94	•Nut	•Mutter		
12	1	-		34 34 56	•Drum, cpl.	•Vals, kpl.		
	-	1		34 35 85	•Padfoot drum, cpl.	•Padvals, kpl.		
13	4	4		50 01 95	•Screw	•Skruv		
14	4	4		61 50 45	•Conical spring washer	•Spännbricka		
15	8	8		50 80 19	•Screw	•Skruv		
16	8	8		50 00 76	•Screw	•Skruv		
17	8	8		60 00 11	•Washer	•Bricka		
18	1	1		34 34 80	•Mounting plate	•Fästplåt		
19	1	1		34 33 18	•Bearing housing	•Lagerhus		D4
20	8	8		61 50 46	•Conical spring washer	•Spännbricka		
21	8	8		57 00 08	•Nut	•Mutter		
22	24	24		50 00 93	•Screw	•Skruv		
23	24	24		61 50 46	•Conical spring washer	•Spännbricka		
24	1	1		34 34 58	•Bearing housing, outer	•Lagerhus, yttre		D4
• 24a	1	1		92 74 09	•O-ring	•O-ring	For new design on bearing housing	D 3
25	4	4		11 40 36	•Drum bearing	•Valslager		D 3
• 26	1	-		34 37 88	•Eccentric shaft, left	•Excenteraxel, vänster ..		D3
	-	1		34 37 99	•Eccentric shaft, left	•Excenteraxel, vänster ..		D3
• 27	12	12		50 00 93	•Screw	•Skruv		
28	12	12		61 50 46	•Conical spring washer	•Spännbricka		
29	2	2		34 34 75	•Bearing housing, inner	•Lagerhus, inre		D4
30	2	2		81 36 97	•Seal ring	•Tätningsring		D 3
31	2	2		34 27 93	•Rubber bushing	•Gummibussning		D3
32	6	6		50 00 35	•Screw	•Skruv		
33	6	6		16 20 27	•Seal ring	•Tätningsring		
34	1	1		16 70 23	•Seal ring	•Tätningsring		B 2
35	72	72		58 60 19	•Nut	•Mutter		
36	72	72		60 00 09	•Washer	•Bricka		
37	72	72		50 01 94	•Screw	•Skruv		
38	12	12		45 01 22	•Shock absorber	•Gummi-element		B2
39	1	1		11 60 41	•Frame bearing, set	•Ramlager, sats		D 3
40	1	1		34 34 62	•Bearing cover	•Lagerlock		
41	1	1		33 56 61	•Cover	•Lock		
• 42	1	1		34 37 20	•Shock absorber	•Fäste för		
					bracket	gummi-element		
43	1	1		34 29 39	•Drive shaft	•Drivaxel		D3

Page Sida		Group Grupp	Picture No Bild nr	Issue Utgåva	ENGINE Caterpillar D-3208	MOTOR Caterpillar D-3208	
2		03	13981-2	S-10202-2			
Ref Pos	Quantity/Antal		Part No Art nr	Description	Benämning	Note Anmärkning	C, P K, L
	CA						
1	1		80 10 91	Engine, cpl.	Motor, kpl.		
2	1		75 20 51	•V-belt set (2 belts)	•Kilremssats (2 rem.)		B 2
3	1		75 20 46	•Alternator	•Växelströmsgenerator ...		C 3
4	1		75 20 28	•Pulley for alternator	•Remskiva för generator		
5	2		75 20 91	•Oil filter	•Oljefilter		A 1
6	1		81 34 60	Starter	Startmotor		C 3
7	3		50 20 76	Screw	Skruv		
8	3		60 40 11	Spring washer	Fjäderbricka		
9	1		75 23 04	Gasket	Packning		
10	8		50 20 33	Screw	Skruv		
11	8		60 40 06	Spring washer	Fjäderbricka		
12	1		34 11 06	Hydraulic pump gearing .. Comps, page 32	Fördelningsväxellåda Det. se sida 32		
13	12		50 20 35	Screw	Skruv		
14	12		61 50 44	Conical spring washer	Spännbricka		
15	4		50 20 28	Screw	Skruv		
16	4		61 50 43	Conical spring washer	Spännbricka		
17	1		80 11 51	Fan	Fläkt		D 3
18	1		98 90 78	Water temp. sender	Givare för vattentemp.		D 3
19	2		50 01 94	Screw	Skruv		
20	2		50 00 56	Screw	Skruv		
21	1		34 57 52	Beam	Balk		
22	2		60 50 02	Beam washer	Balkbricka		
23	2		57 00 07	Nut	Mutter		
24	2		58 60 19	Nut	Mutter		
25	1		81 34 65	Bushing	Bussning		
26	1		81 34 62	Oil pressure transmitter ..	Oljetrycksgivare		D 3
27	1		34 59 06	Spacer plate	Distansplatta		
28	2		34 57 51	Spacer sleeve	Distanshylsa		
29	2		50 21 48	Screw	Skruv		
30	2		60 00 13	Washer	Bricka		
31	1		-	Drive plate	Medbringarplatta	See page 32 ref. 2	
32	1		34 62 67	Oil drainage, cpl.	Oljeavtappning, kpl.	577024-	
33	1		48 01 25	•Washer	•Bricka		
34	1		81 34 44	•Elbow 90°	•Rörkrök 90°		
35	1		48 21 67	•Hose	•Slang		
36	1		23 45 12	•Bulk head union 90°	•Skottgenomgång 90°		
37	1		33 03 83	•Cap	•Huv		
38	2		60 00 09	Washer	Bricka		
39	1		75 20 18	Spacer sleeve	Distanshylsa		

2) CA 30 with Caterpillar
CA 30 med Caterpillar



Rev. 6/25/86

PA-25-2-PL08

Page Sida		Group Grupp		Picture No Bild nr		Issue Utgåva		AIR CLEANER Caterpillar		LUFTFILTER Caterpillar	
14		03		13986-1		S-10202-2					
Ref Pos	Quantity/Antal		Part No Art nr	Description	Benämning	Note Anmärkning	C, P K, L				
	CA	2)30									
1	2		81 37 91	Mounting band	Fästband						
2	8		50 00 48	Screw	Skruv						
3	8		81 50 44	Conical spring washer	Spännbricka						
4	1		34 57 42	Inlet hood	Insugningskåpa						
* 5	4		50 01 85	Screw	Skruv	-577075					
* 6	3		50 01 85	Screw	Skruv	577076-					
* 7	1		50 00 75	Screw	Skruv	577076-					
8	1		16 70 09	V-ring	V-ring						
* 9	1		80 11 74	Indicator	Indikator	-577075	D 3				
* 10	1		92 47 39	Indicator	Indikator	577076-	D 3				
11	1		91 23 85	Rubber elbow	Gummikrök		D 3				
12	3		31 31 05	Hose clamp	Slangklämma						
13	1		34 57 45	Intake pipe	Insugningsrör						
14	1		80 16 88	Rubber elbow	Gummikrök		D 3				
15	1		92 11 64	Hose clamp	Slangklämma						
16	1		80 21 46	Air cleaner, cpl.	Luftfilter, kpl						
17	1		49 95 54	•Dust cup	•Dammsamlare						
18	1		89 35 24	•Baffle	•Gummikopp						
19	2		49 95 49	•Wing nut w. seal	•Vingmutter m. tät.						
20	1		81 42 57	•Primary filter element	•Primärfilterelement		A 1				
21	1		89 32 28	•Clamp	•Klammer						
22	1		49 95 03	•Vacuator valve	•Vakuumentil						
23	1		81 42 56	•Safety filter element	•Säkerhetsfilterelement		A 1				
24	1		49 92 40	•O-ring	•O-ring		D 3				
25	4		57 00 06	Nut	Mutter						
26	1		34 59 13	Bracket	Fäste						
27	1		31 31 05	Hose clamp	Slangklämma	575011-					
28	1		81 37 92	Protective cap	Skyddshuv	575011-	D 4				

2) CA 30 with Caterpillar
CA 30 med Caterpillar

Page Sida		Group Grupp		Picture No Bild nr		Issue Utgåva		FUEL SYSTEM Detroit		BRÄNSLESYSTEM Detroit	
24		03		13991-1		S-10202-2					
Ref Pos	Quantity/Antal			Part No Art nr	Description	Benämning	Note Anmärkning	C, P K, L			
	CA										
1	1			34 31 51	Fuel hose	Bränsleslang					
2	1			81 34 42	Adapter	Adapter					
3	5			50 00 04	Screw	Skruv					
4	5			61 50 41	Conical spring washer	Spännbricka					
5	1			23 46 19	Elbow	Rörkrök					
6	2			81 34 23	Plug	Plugg					
7	1			34 59 14	Fuel hose	Bränsleslang					
8	3			33 41 74	Elbow	Rörkrök					
9	1			23 04 00	Cap nut	Huvmutter					
10	1			-	Fuel strainer element	Förfilterelement	See page 8 ref. 7				
11	5			31 30 41	Cable tie	Buntband					
12	1			81 33 15	Gasket	Packning		D 3			
13	1			81 33 14	Fuel level sender	Bränslenivågivare		D 3			
14	2			81 33 91	Magnetic plugg	Magnetplugg		D 3			

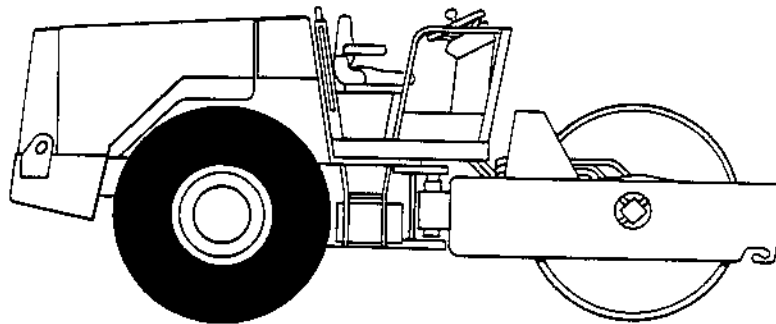
10) CA 30 with Detroit
CA 30 med Detroit

↓ DYNAPAC**TRANSMISSION**

Wheel
Gear box and wheel axle
Three-speed gear box
Funk
Renondin
Disc brake, Renondin
Wheel axle and planetary gearing
Differential carrier
Brake

KRAFTÖVERFÖRING

Hjul	2
Växellåda och hjulaxel	4
Tre-växlad växellåda	
Funk	6
Renondin	10
Skivbroms, Renondin	14
Hjulaxel och planetväxel	16
Differentialhållare	18
Broms	22



Page Sida		Group Grupp	Picture No Bild nr	Issue Utgåva	THREE-SPEED GEAR BOX Renordin	TRE-VÄXLAD VÄXELLÅDA Renordin	
10		04	13999-1	S-10202-2	577004-	577004-	
Ref Pos	Quantity/Antal		Part No Art nr	Description	Benämning	Note Anmärkning	C, P K, L
	CA						
	1)30						
1	1		34 20 64	Three-speed gear box, cpl	Tre-växlad växellåda, kpl.		C 4
2	1		15 10 35	•Snap ring	•Spårring		
3	1		42 33 91	•Splined sleeve	•Splineshylsa		D 3
4	1		15 00 20	•Snap ring	•Spårring		
5	1		42 34 05	•Housing	•Hus		
6	1		42 34 03	•Gasket	•Packning		D 3
7	1		42 33 98	•Lever with shaft	•Arm med axel		
8	1		42 34 14	•Seal ring	•Tätningring		D 3
9	1		50 00 28	•Screw	•Skruv		
10	1		61 50 44	•Conical spring washer ...	•Spännbricka		
11	-		-	-	-		
12	1		42 34 13	•Expanding pin	•Fjädrande rörpinne		
13	1		42 33 86	•Shim (set)	•Shims (sats)		
14	1		48 13 33	•Ventilating valve	•Urluftningsventil		D 4
15	8		50 00 21	•Screw	•Skruv		
16	8		61 50 43	•Conical spring washer ...	•Spännbricka		
17	1		42 33 84	•Plug	•Plugg		
18	1		42 33 88	•Rod	•Stång		
19	2		42 33 84	•Plug	•Plugg		
20	1		42 34 13	•Expanding pin	•Fjädrande rörpinne		
21	1		42 34 06	•Cover	•Lock		
22	1		42 33 90	•Lever	•Arm		
23	1		42 34 75	•Expanding pin	•Fjädrande rörpinne		
24	1		42 33 96	•Fork	•Gaffel		D 4
25	1		42 33 89	•Spring	•Fjäder		D 3
26	1		13 30 41	•Ball	•Kula		D 3
27	2		55 01 16	•Screw	•Skruv		
28	1		42 34 03	•Gasket	•Packning		D 3
29	1		42 34 08	•Cover	•Lock		
30	1		42 34 09	•Seal ring	•Tätningring		D 3
31	8		50 01 31	•Screw	•Skruv		
32	8		67 50 70	•Conical spring washer ...	•Spännbricka		
33	1		42 34 00	•Gasket	•Packning		D 3
34	1		42 34 07	•Housing	•Hus		
35	1		11 12 08	•Ball bearing	•Kullager		D 3
36	1		42 33 93	•Spacer	•Distansbricka		
37	1		42 33 87	•Gear	•Kuggjul		
38	1		42 34 01	•Splined shaft	•Splinesaxel		
39	1		42 33 94	•Gear	•Kuggjul		
40	1		42 33 81	•Needle bearing	•Nållager		D 3
41	1		42 34 02	•Shaft with gear	•Kuggaxel		
42	1		11 12 09	•Ball bearing	•Kullager		D 3
43	1		42 33 92	•Washer	•Bricka		
44	1		11 10 85	•Ball bearing	•Kullager		D 3
45	1		42 33 97	•Shaft with gear	•Kuggaxel		
46	1		11 10 86	•Ball bearing	•Kullager		D 3
47	2		42 33 82	•Plug	•Plugg		D 4
48	1		42 34 04	•Brake disc	•Bromsskiva		

1) CA 30, all models
CA 30, alla typer

Page Sida	Group Grupp	Picture No Bild nr	Issue Utgåva	6) WHEEL AXLE Differential carrier	6) HJULAXEL Differentialhållare	
20	04	14002-1	S-10202-2			
Ref Pos	Quantity/Antal	Part No Art nr	Description	Benämning	Note Anmärkning	C, P K, L
	CA 1)30					
32	1	81 39 49	•Washer	•Bricka		

1) CA 30, all models
 CA 30, alla typer

6) When ordering spare parts for wheel axle, always state type designation of axle. Type sign is located on axle housing between wheel and differential.
 Vid beställning av reservdelar till hjulaxel, ange alltid typbeteckningen på axeln. Typskyten är placerad på axelhuset mellan hjul och differential.

Page Sida	Group Grupp	Picture No Bild nr	Issue Utgåva	HYDRAULIC SYSTEM Propulsion	HYDRAULSYSTEM Framdrivning	
6	05	14005-2	S-10202-2			
Ref Pos	Quantity/Antal	Part No Art nr	Description	Benämning	Note Anmärkning	C, P K, L
	CA					
	30					
* 1	1	49 93 49	Suction filter	Sugfilter		A 1
* 2	1	23 33 27	Breather filter	Avluftningsfilter		D 3
* 3	1	98 91 51	Oil level gauge	Oljenivårör		D 3
* 4	1	-	Hydraulic oil tank	Hydrauloljetank	See group 1	
* 5	1	81 37 38	Adapter	Adapter		
* 6	1	23 33 04	Ball valve	Kulventil		
* 7	2	23 21 22	Plug	Plugg		
* 8	1	48 20 01	Suction hose	Sugsiang		D 3
* 9	1	33 42 28	Adapter	Adapter		
* 10	2	333 58 03 26	Hydraulic hose	Hydraulslang		D 3
* 11	1	33 41 58	Adapter	Adapter		
* 12	1	33 55 57	Hydr. motor, wheel drive Comps, page 24	Hydr. motor, hjuldrivr. Det. se sida 24	-477023,029,032	
* 13	1	80 11 58	Hydr. motor, wheel drive Comps, page 26	Hydr. motor, hjuldrivning Det. se sida 26	477024- 028,030,031,477033-	
* 14	1	48 22 52	Hydraulic hose	Hydraulslang		D 3
* 15	1	81 42 51	Elbow 90°	Rörkrök 90°		
* 16	1	81 42 50	Check valve	Backventil		
* 17	1	81 34 34	Adapter	Adapter		
* 18	1	98 91 50	Hydr. oil temp. sender	Givare för hydr. oljetemp		D 3
* 19	2	33 46 04	Elbow 90°	Rörkrök 90°		
* 20	4	50 00 37	Screw	Skruv		
* 21	4	61 50 45	Conical spring washer	Spännbricka		
* 22	1	33 55 56	Variable displ. pump, propulsion Comps, page 12	Hydraulpump, framdr. Det. se sida 12	-477023,029	
* 23	1	80 11 57	Variable displ. pump, propulsion Comps, page 16	Hydraulpump, framdrivning Det. se sida 16	477024- 028,477030-	
* 24	4	81 34 29	O-ring	O-ring		D 3
* 25	8	23 20 97	Flange half	Flänshalva		
* 26	16	50 20 36	Screw	Skruv		
* 27	1	48 22 51	Hydraulic hose	Hydraulsiang		D 3

Page Sida		Group Grupp		Picture No Bild nr		Issue Utgåva		VARIABLE DISPLACEMENT PUMP		HYDRAULPUMP Välsdrivning	
16		05		14008-2		S-10202-2		Drum drive 477024- 028,477030-		477024- 028,477030-	
Ref Pos	Quantity/Antal		Part No Art nr	Description	Benämning	Note Anmärkning	C, P K, L				
	CA	30 D						30 PD			
1	1	1	80 11 57	Variable displacement pump, drume drive, cpl	Hydraulpump, välsdrivning, kpl		C 3				
2	1	1	92 71 33	•Seal kit	•Packingssats	12)	D 3				
3	4	4	91 10 53	•Screw	•Skruv						
4	4	4	81 38 44	•Washer	•Bricka						
5	1	1	48 15 08	•Charge pump	•Matarpump						
				Comps, page 20	Det. se sida 20						
6	1	1	81 36 33	•Gasket	•Packning		D 3				
7	2	2	81 36 30	•Check valve, cpl	•Backventil, kpl		D 3				
8	1	1	81 36 14	••O-ring	••O-ring		D 3				
9	3	3	81 38 38	•Screw	•Skruv						
10	5	5	81 38 39	•Screw	•Skruv						
11	9	9	81 38 46	•Washer	•Bricka						
12	1	1	91 10 56	•Cover rear	•Lock bakre						
13	n	n	48 11 06	•Shim	•Mellanlägg						
14	1	1	48 10 92	•Gasket	•Packning		D 3				
15	1	1	48 10 77	•Roller bearing	•Rullager						
16	1	1	81 38 21	•Pin	•Pinne						
17	1	1	91 10 55	•Vaive plate	•Ventilplatta		D 3				
18	1	1	92 71 34	•Cylinder block kit cpl	•Cylinderblock sats kpl						
19	1	1	48 11 05	••Bearing plate	••Lagerplatta		D 3				
20	1	1	48 11 01	••Guide ring	••Styrning						
21	1	1	48 10 81	••Retaining ring	••Låsring						
22	1	1	48 10 89	••Spring holder	••Fjäderhållare						
23	1	1	48 10 85	••Spring guide	••Fjäderstyrning						
24	1	1	48 10 83	••Spring	••Fjäder						
25	1	1	48 10 88	••Spring holder	••Fjäderhållare						
26	1	1	48 03 73	••Pin	••Pinne						
27	1	1	48 11 00	••Cylinder block	••Cylinderhus						
28	6	6	48 10 84	••Spring	••Fjäder						
29	1	1	48 10 95	••Guide sleeve	••Styrhylsa						
30	1	1	48 10 99	••Piston retainer	••Kolmedbringare						
31	9	9	48 11 02	••Pisont, cpl	••Kolv, kpl						
32	1	1	48 10 98	••Thrust plate	••Tryckplatta						
33	1	1	48 11 03	•Pump housing	•Pumphus						
34	2	2	81 38 22	•Pin	•Pinne						
35	1	1	81 36 13	•O-ring	•O-ring		D 3				
36	1	1	91 10 62	•Plug	•Plugg						
37	1	1	92 71 32	•Plug, cpl	•Plugg, kpl						
38	1	1	81 36 17	••O-ring	••O-ring		D 3				
39	1	1	92 71 37	•Swash plate	•Flödesplatta						
40	1	1	81 38 85	•Link	•Länk						
41	2	2	48 02 88	•Retaining ring	•Låsbricka						
42	1	1	81 38 23	•Pin	•Pinne						
43	1	1	48 10 90	•Drive shaft	•Drivaxel						
44	1	1	48 10 79	•Roller bearing	•Rullager						
45	1	1	48 10 93	•Gasket	•Packning		D 3				
46	2	2	81 38 22	•Pin	•Pinne						
47	1	1	48 10 91	•Cover, front	•Lock, främre						

12) Includes ref: 6,8,14,35,38,45,51,52,63,64,72,73 and ref 3,4 on control valve.

Innehåller pos: 6,8,14,35,38,45,51,52,63,64,72,73 och pos 3,4 på manöverventil.

CLICK HERE TO **DOWNLOAD** THE COMPLETE MANUAL

- Thank you very much for reading the preview of the manual.
- You can download the complete manual from: www.heydownloads.com by clicking the link below



- Please note: If there is no response to CLICKING the link, please download this PDF first and then click on it.

CLICK HERE TO **DOWNLOAD** THE COMPLETE MANUAL

Page Sida	Group Grupp	Picture No Bild nr	Issue Utgåva	HYDRAULIC MOTOR Wheel drive 477024- 028,030,031,477033-	HYDRAULMOTOR Hjuldrivning 477024- 028,030,031,477033-	
26	05	14317-1	S-10202-2			
Ref Pos	Quantity/Antal	Part No Art nr	Description	Benämning	Note Anmärkning	C, P K, L
	CA					
	1)30					
1	1	80 11 58	Hydraulic motor, wheel ... drive, cpl.	Hydraulmotor, hjuldrivning, kpl.	SMF22-000-3900	C 3
2	1	92 76 53	•Seal kit	•Packningssats	14)	D 3
3	1	48 16 16	•Drive shaft seal	•Drivaxeltätning kpl.		D 3
4	1	81 36 21	••Retaining ring	••Låsring		
5	1	81 36 12	••O-ring	••O-ring		
6	1	81 36 16	••O-ring	••O-ring		
7	1	81 38 65	•Motor housing	•Motorhus		
8	1	81 38 25	•Plug	•Plugg		
9	1	91 15 70	•Pin	•Pinne		
10	1	81 38 27	•Plug	•Plugg		
11	1	81 36 18	•O-ring	•O-ring		
12	2	81 38 22	•Pin	•Pinne		D 3
13	1	48 10 79	•Roller bearing	•Rullager		
14	1	91 15 73	•Swash plate	•Flödesplatta		
15	1	91 15 71	•Drive shaft	•Drivaxel		
16	1	92 46 15	•Cylinder block kit, cpl. ...	•Cylinderblocksats, kpl. ...		
17	9	91 14 06	••Piston, cpl.	••Kolv, kpl.		
18	1	48 10 99	••Piston retainer	••Kolvmedbringare		
19	1	48 10 95	••Guide sleeve	••Styrhylsa		
20	6	48 10 84	••Spring	••Fjäder		
21	1	89 30 17	••Cylinder block	••Cylinderblock		
22	1	48 10 88	••Spring holder	••Fjäderhållare		
23	1	48 10 83	••Spring	••Fjäder		
24	1	48 10 85	••Spring guide	••Fjäderstyrning		
25	1	48 10 89	••Spring holder	••Fjäderhållare		
26	1	48 10 81	••Retaining ring	••Låsring		
27	1	48 11 01	••Guide ring	••Styrning		
28	1	48 11 05	••Bearing plate	••Lagerplatta		D 3
29	1	48 06 68	•Pin	•Pinne		
30	1	81 38 21	•Pin	•Pinne		
31	1	92 76 54	•Roller bearing	•Rullager		
32	1	48 10 92	•Gasket	•Packning		D 3
33	n	48 11 06	•Shim	•Mellanlägg		D 3
34	1	91 20 90	•Valve plate	•Ventilplatta		D 3
35	1	91 15 74	•Cover, rear	•Lock, bakre		
36	9	81 38 46	•Washer	•Bricka		
37	5	81 38 39	•Screw	•Skruv		
38	3	81 38 38	•Screw	•Skruv		
39	1	48 02 04	•Manifold valve, cpl. Comps, page 28	•Ventilblock, kpl. Det. se sida 28		
40	6	81 38 36	•Screw	•Skruv		
41	6	81 38 45	•Washer	•Bricka		
42	2	81 36 15	•O-ring	•O-ring		D 3
43	1	81 36 11	•O-ring	•O-ring		D 3
44	2	81 36 20	•Back-up ring	•Stödring		D 3

1) CA 30, all models
CA 30, alla typer

14) Includes ref: 5,6,11,32,42,43,44 and ref 9,10,11 on manifold valve.
Innehåller pos: 5,6,11,32,42,43,44 och pos 9,10,11 på ventilblock.

0020

Utgåva Issue		Bildnr Picture No		NY VIBR.PUMP CA25II/CA30II COMMERCIAL		NEW VIBR.PUMP CA25II/CA30II COMMERCIAL		Grupp Group	Sida Page
1991-10		15274						050	4
Pos Fig	Antal/Quantity			Art nr Part No	Benämning	Description	Sats Kit	L S	Anmärkning Notes
0020	1	1		35 56 91	HYDRAULPUMP	HYDR PUMP			
0040	2	1		92 79 45	.LÅSRING	.SNAPRING			
0060	3	1		92 79 43	.LAGER	.BEARING			
0080	4	1		92 76 91	.TÄTNING	.SEALING			
0100	5	1		92 76 92	.LOCK	.COVER			
0120	6	2		91 17 86	.PLUGG	.PLUG			
0140	7	4		92 76 72	.TÄTNING	.SEALING			
0160	8	4		91 17 85	.MUTTER	.NUT			
0180	9	4		92 76 73	.TRYCKBRICKA	.THRUST WASHER			
0200	10	8		91 16 50	.STIFT	.DOWEL PIN			
0220	11	1		21 25 69	.DRIVAXEL	.DRIVE SHAFT			
0240	12	4		92 76 71	.PACKNING	.GASKET			
0260	13	1			.HUS	.HOUSING			
0280	14	1			.HUS	.HOUSING			
0300	15	1		92 76 69	.AXEL	.SHAFT			
0320	16	1		92 76 70	.KUGGHJULSSATS	.GEAR SET			
0340	17	1			.HUS	.HOUSING			
0360	18	1			.LOCK	.COVER			
0380	19	4		81 39 15	.BRICKA	.WASHER			
0400	20	4		81 38 92	.PINNSKRUV	.STUD			

Page Sida	Group Grupp	Picture No Bild nr	Issue Utgåva	HYDRAULIC MOTOR Vibration -577030	HYDRAULIC MOTOR Vibration -577030			
40	05	14283-1	S-10202-2					
Ref Pos	Quantity/Antal			Part No Art nr	Description	Benämning	Note Anmärkning	C, P K, L
	CA							
	1)30							
* 1	1			80 11 60	Hydraulic motor,	Hydraulmotor, vibration, kpl.		C 3
* 2	1			81 36 78	•Snap ring	•Spårring		
* 3	1			81 36 74	•Ball bearing	•Kullager		D 3
* 4	1			81 36 76	•Seal ring	•Tätningssring		D 3
* 5	1			81 39 02	•Cover	•Lock		
* 6	1			81 39 10	•Plug	•Pfugg		
* 7	2			81 39 03	•Check valve	•Backventil		D 3
* 8	2			81 36 61	•Seal ring	•Tätningssring		D 3
* 9	4			81 39 06	•Roller bearing	•Rullager		D 3
* 10	12			81 36 46	•Sealing	•Tätning		D 3
* 11	2			81 36 83	•Thrust plate	•Tryckbricka		D 3
* 12	1			89 14 98	•Drive shaft and gear	•Drivaxel och kuggghjul		
* 13	2			81 36 69	•Gasket	•Packning		D 3
* 14	1			89 14 57	•Housing	•Hus		
* 15	1			81 39 23	•Cover	•Lock		
* 16	4			81 39 15	•Washer	•Bricka		
* 17	4			81 39 16	•Screw	•Skruv		
* 18	1			81 36 43	•Seal retainer	•Tätningshållare		

1) CA 30, all models
CA 30, alla typer

Page Sida		Group Grupp	Picture No Bild nr	Issue Utgåva	HYDRAULIC SYSTEM Steering	HYDRAULSYSTEM Styrning	
48		05	14018-2	S-10202-2			
Ref Pos	Quantity/Antal		Part No Art nr	Description	Benämning	Note Anmärkning	C, P K, L
	CA	1)30					
1	1		34 37 82	Steering wheel, cpl.	Ratt, kpl.		D 3
2	1		31 20 82	Turning knob	Rattspinnare		
3	1		92 69 63	Wheel nut	Rattmutter		
4	2		50 00 30	Screw	Skruv		
5	4		60 40 06	Conical spring washer	Spännbricka		
6	2		50 00 48	Screw	Skruv		
7	1		48 02 19	Steering unit	Styrventil		
				Comps, page 52	Det. se sida 52		
8	4		23 49 41	Adapter	Adapter		
9	1		48 22 61	Hydraulic hose	Hydraulslang		D3
10	1		48 22 54	Hydraulic hose	Hydraulslang		D3
11	4		16 20 15	Seal ring	Tätningarring		
12	1		92 07 72	Steering column	Rattstång		C 4
13	1		91 14 99	Relief valve block, cpl.	Ventilblock, kpl.		C 3
14	1		92 03 63	•Gasket set	•Packningsatts		D 3
15	2		48 09 23	••Screw	••Skruv		
16	1		48 20 72	Hydraulic hose	Hydraulslang		D3
17	1		48 20 69	Hydraulic hose	Hydraulslang		D3
18	1		48 22 55	Hydraulic hose	Hydraulslang		D3
19	1		33 42 05	Adapter	Adapter		
20	1		23 33 05	Check valve	Backventil		
21	1		81 37 38	Adapter	Adapter		
• 22	4		50 00 61	Screw	Skruv	-577085	
• 23	4		60 00 04	Washer	Bricka	-577085	
• 24	8		57 00 04	Nut	Mutter	-577085	
•	4		57 00 04	Nut	Mutter	577086-	
25	1		92 16 46	Hand pump	Handpump		
26	1		81 34 48	Elbow 90°	Rörkrök 90°		
27	1		33 10 92	Plug	Plugg		
28	2		23 48 00	Hose nipple	Slangnippel		
29	2		31 30 04	Hose clamp	Slangklämma		
30	1 x L		24 40 59	Hose	Slang	L = 3000 mm	
31	1		34 56 41	Handle	Handtag		
32	2		31 00 25	Grease nipple	Smörnippel		
33	2		33 55 60	Steering cylinder	Styrcylinder		
				Comps, page 54	Det. se sida 54		
34	2		333 56 03 04	Hydraulic hose	Hydraulslang		D3
35	2		33 40 70	T-adapter	T-adapter		
36	4		-	Bolt	Bult	See page 54 ref. 16	
37	2		81 33 16	Bearing	Lager		D 3
38	4		-	Locking pin	Låspinne	See page 54 ref. 17	
39	1		49 93 49	Return filter	Returfilter		A 1
40	1		23 31 42	Check valve	Backventil		D 3
41	1 x L		62 92 31	Pipe	Rör	L = 150 mm	
42	1		33 41 42	Adapter	Adapter		
43	1		33 41 35	L-adapter	L-adapter		
44	1		-	Hydr. pump.	Hydr. pump. vibr. o styren.		
				vibr./steering	Det. se sida 38		
				Comps, page 38			

1) CA 30, all models
CA 30, alla typer

Page Sida	Group Grupp	Picture No Bild nr	Issue Utgåva	ELECTRICAL EQUIPMENT Caterpillar	ELEKTRISK UTRUSTNING Caterpillar	
2	06	14021-2	S-10202-2			
Ref Pos	Quantity/Antal CA	Part No Art nr	Description	Benämning	Note Anmärkning	C, P K, L
	2)30					
1	1	34 57 25	Starting cable	Startkabel		
2	2	50 00 75	Screw	Skruv		
3	1	34 57 30	Cable	Kabel		
4	1	97 50 65	Starter relay	Startrelä		D 3
5	2	61 50 42	Conical spring washer	Spännbricka		
6	2	57 00 04	Nut	Mutter		
7	1	34 57 28	Ground cable	Jordkabel		
8	1	50 00 48	Screw	Skruv		
9	1	61 50 44	Conical spring washer	Spännbricka		
10	1	57 00 06	Nut	Mutter		
11	1	34 57 29	Cable	Kabel		
12	2	50 00 53	Screw	Skruv		
13	10	31 30 41	Cable tie	Buntband		
14	1	34 60 54	Voltage regulator bracket	Regulatorfäste		
15	2	61 50 43	Conical spring washer	Spännbricka		
16	2	57 00 05	Nut	Mutter		
17	1	34 57 27	Ground cable	Jordkabel		
18	1	75 20 24	Voltage regulator	Spänningsregulator		D 3
19	3	55 00 43	Screw	Skruv		
20	3	61 50 41	Conical Spring washer	Spännbricka		
21	2	81 33 30	Screw	Skruv		
22	1	34 57 24	Battery cable	Batterikabel		
23	1	93 01 50	Battery switch	Batteriströmställare		D 3
24	1	34 42 90	Bracket	Fäste		
25	2	61 50 44	Conical spring washer	Spännbricka		
26	2	57 00 06	Nut	Mutter		
27	1	34 57 26	Ground cable	Jordkabel		
28	2	61 50 41	Conical spring washer	Spännbricka		
29	2	57 00 03	Nut	Mutter		
30	1	34 33 69	Battery frame	Batteriram		
31	1	47 00 20	Battery	Batteri		D 4
32	1	34 27 74	Rubber cushion	Gummiunderlägg		
33	2	50 00 48	Screw	Skruv		
34	2	53 30 27	Screw	Skruv		
35	1	81 33 48	Grommet	Genomföring		
36	1	34 57 07	Cable harness	Kabelhärva	-577075	
37	1	34 54 18	Cable harness	Kabelhärva	577076-	
			Electr. equip, instr. board	Elektr. utr, instr. panel		
			Comps, page 12	Det. se sida 12		
38	1		Cable harness	Kabelhärva	See page 12 ref. 3	
39	2	34 57 32	Ground cable	Jordkabel		
40	1	50 00 75	Screw	Skruv		
41	1	61 50 42	Conical spring washer	Spännbricka		
42	1	57 00 04	Nut	Mutter		
43	1	34 57 31	Ground cable	Jordkabel		
44	1	99 90 24	Bracket	Fäste		
45	1	99 90 23	Horn	Signalhorn		
46	1	99 90 25	Nut	Mutter		D 4
47	1	50 00 53	Screw	Skruv		

2) CA 30 with Caterpillar
CA 30 med Caterpillar

Page Sida	Group Grupp	Picture No Bild nr	Issue Utgåva	ELECTRICAL EQUIPMENT Instrument board	ELEKTRISK UTRUSTNING Instrumentpanel	
12	06	14024-2	S-10202-2			
Ref Pos	Quantity/Antal	Part No Art nr	Description	Benämning	Note Anmärkning	C, P K, L
	1)30					
1	1		- Instrument board, cpl.	Instrumentpanel. kpl.	See group 7	
2	1		- •Instr. plate, left and right	•instr. plåt, vänster o höger	See group 7	
* 3	1	34 57 06	••Cable harness	••Kabelhärva	-577075	
* 4	1	34 62 50	••Cable harness	••Kabelhärva	577076-	
4	8	31 30 41	••Cable tie	••Buntband		
* 5	1	97 50 37	•Horn relay	•Signalhornsrelä	-577075	D 4
6	1	97 50 79	•Relay - vibr. circ.	•Relä - vibr.krets		D 4
* 7	1	97 50 64	•Realy - neutr. start	•Relä - neutr. start	-577075	D 4
8	3	34 57 19	•Ground cable	•Jorkabel		
* 9	1	97 50 77	•Relay - park. brake	•Relä - park. broms	-577075	D 4
10	1	34 57 21	•Cable	•Kabel		
* 11	1	34 57 20	•Cable	•Kabel	-577075	
12	1	34 57 23	•Cable	•Kabel		
* 13	1	34 57 22	•Cable	•Kabel	-577075	
* 14	1	34 63 77	•Cable	•Kabel	577076-	
14	10	31 30 41	•Cable tie	•Buntband		
15	1	92 00 65	•Connector plate	•Anslutningsbleck		
16	1	95 00 30	•Fuse box	•Säkringslåda		D 4
17	12	95 00 11	••Fuse	••Säkring		
* 18	2	61 50 42	•Conical spring washer ...	•Spännbricka	577076-	
* 19	2	97 50 77	•Relay, neutral start, oil pressure	•Relä, neutral start, oijetryck	577076-	D 4
* 20	1	97 50 64	•Relay, horn neutral start	•Relä, signal neutral start	577076-	D 4
* 21	1	34 63 75	•Relay bracket	•Reläfäste	577076-	
* 22	1	92 46 51	•Delaying relay	•Tidrelä	577076-	D 4
* 23	4	50 00 03	•Screw	•Skruv	577076-	
* 24	4	58 60 01	•Lock nut	•Låsmutter	577076-	
* 25	2	50 01 85	•Screw	•Skruv	577076-	
* 26	6	53 30 27	Screw	Skruv	-577075	
* 27	6	61 50 41	Conical spring washer	Spännbricka	-577075	
* 28	6	57 00 03	Nut	Mutter	-577075	
29	2	53 30 27	Screw	Skruv		
30	2	61 50 41	Conical spring washer	Spännbricka		
31	2	57 00 03	Nut	Mutter		

1) CA 30, all models
CA 30, alla typer

Page Sida		Group Grupp		Picture No Bild nr		Issue Utgåva		INSTRUMENT BOX		INSTRUMENTLÅDA	
8		07		14026-2		S-10202-2					
Ref Pos	Quantity/Antal				Part No Art nr	Description	Benämning	Note Anmärkning	C, P K, L		
	CA	2)30	3)30	10)30							
23	1	1	1		34 57 18	••Tachometer/Hourmeter	••Varvräknare/Timräkn. ..		D 3		
24	-	1	1		34 58 69	••Resistance	••Motstånd				
25	4	4	4		50 00 41	Screw	Skruv				
26	2	2	2		34 56 76	Bracket	Fäste				
27	2	2	2		55 01 32	Screw	Skruv				
28	1	1	1		34 56 21	Center bracket	Mittkonsol				
29	4	4	4		50 00 53	Screw	Skruv				
30	1	1	1		34 54 52	Instrument box	Instrumentlåda				
31	4	4	4		34 60 80	Lock plate	Låsplåt				
32	4	4	4		35 30 89	Hook	Hake				
33	8	8	8		53 50 03	Screw	Skruv				
34	4	4	4		58 60 03	Nut	Mutter				
35	1	1	1		34 63 93	Plug	Plugg				

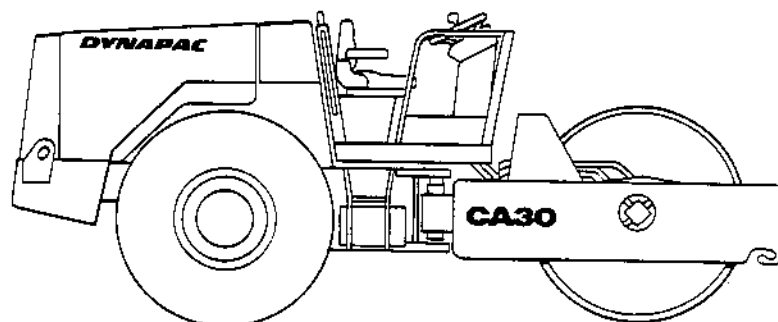
- 2) CA 30 with Caterpillar
CA 30 med Caterpillar
- 3) CA 30 with Deutz
CA 30 med Deutz
- 10) CA 30 with Detroit
CA 30 med Detroit



DECALS
Plates and decals

DEKALER
S skyltar och dekaler

2



Page Sida		Group Grupp		Picture No Bild nr		Issue Utgåva		WORKING LIGHT ARBETSBELYSNING	
2		10		14032-1		S-10202-2			
Ref Pos	Quantity/Antal			Part No Art nr	Description	Benämning	Note Anmärkning	C, P K, L	
	CA								
	1)30								
1	1			34 57 92	Working light, mount. kit	Arbetsbelysn. mont. sats			
2	1			34 59 88	•Cable	•Kabel			
3	1			93 01 92	•Head lamp switch	•Strömbr.-strålkastare			
4	1			93 01 95	•Contact piece	•Kontaktblock			
5	1			34 59 86	•Cable	•Kabel			
6	15			31 30 41	•Cable strap	•Buntband			
7	1			34 59 87	•Cable	•Kabel			
8	1			31 30 04	•Hose clamp	•Slangklämma			
9	1 x L			20 50 25	•Protective hose	•Skyddsslang	L = 650 mm		
10	1			34 59 89	•Cable pipe, left	•Kabelrör, vänster			
11	1			34 59 91	•Cable pipe, right	•Kabelrör, höger			
12	4			50 00 53	•Screw	•Skruv			
13	4			50 00 28	•Screw	•Skruv			
14	4			90 91 52	•Grommet	•Genomföring			
15	2			90 91 53	•Grommet	•Genomföring			
16	4			61 50 44	•Conical spring washer ...	•Spännbricka			
17	4			58 60 18	•Nut	•Mutter			
18	4			34 59 83	•Light box	•Ljusbox			
19	4			98 50 66	•Head lamp	•Strålkastare			
20	4			98 50 87	•Bulb	•Glödlampa			
21	4			96 00 79	•Cable clip	•Kabelsko			
22	4			34 59 84	•Bracket	•Fäste			
23	4			58 60 03	•Nut	•Mutter			
24	4			54 17 07	•Screw	•Skruv			
25	4			61 50 44	•Conical spring washer ...	•Spännbricka			
26	20			54 17 06	•Screw	•Skruv			
27	20			92 10 87	•Clamp	•Klammer			
28	4			34 59 90	•Cable pipe	•Kabelrör			

1) CA 30, all models
CA 30, alla typer

Page Sida	Group Grupp	Picture No Bild nr	Issue Utgåva	DRUM CONVERSION KIT CA30 to CA30D	OMBYGGNADSSATS CA30 till CA30D		
12	10	14039-1	S-10202-2				
Ref Pos	Quantity/Antal		Part No Art nr	Description	Benämning	Note Anmärkning	C, P K, L
	CA						
	30						
1	1		34 34 89	Drum conversion kit, CA30-CA30D	Ombyggnadssats, CA30-CA30D		
2	1		34 34 83	•Drum w. drive unit, cpl.	•Vals m. drivenhet, kpl. ...	See group 2	
3	1		34 07 83	•Cover	•Motorskydd	See group 2	
4	1		80 11 57	•Variable displ. pump, drum drive	•Hydraulpump, valsdrivn.	See group 5	
5	1		80 11 44	•Hydr. motor, drum drive	•Hydr. motor, valsdrivn. ...	See group 5	
6	2		33 56 69	•Flange	•Kopplingsfläns	See group 5	
7	2		81 34 99	•Elbow 90°	•Rörkrök 90°	See group 5	
8	1		33 42 05	•Adapter	•Adapter	See group 5	
9	1		33 45 58	•Elbow 90°	•Rörkrök 90°	See group 5	
10	1		48 21 05	•Hydraulic hose	•Hydraulslang	See group 5	
11	1		48 21 06	•Hydraulic hose	•Hydraulslang	See group 5	
12	1		48 21 07	•Hydraulic hose	•Hydraulslang	See group 5	
13	4		23 20 97	•Flange half	•Flänshalva	See group 5	
14	4		81 34 29	•O-ring	•O-ring	See group 5	
15	1		16 01 57	•O-ring	•O-ring	See group 5	
16	1		34 55 89	•Hose guard	•Slangskydd	See group 5	
17	4		33 56 75	•Hose holder	•Slanghållare	See group 5	
18	2		33 56 32	•Plate	•Platta	See group 5	
19	8		50 01 92	•Screw	•Skruv	See group 5	
20	4		50 20 59	•Screw	•Skruv	See group 5	
21	8		50 20 43	•Screw	•Skruv	See group 5	
22	4		50 02 82	•Screw	•Skruv	See group 2	
23	8		57 00 06	•Nut	•Mutter	See group 5	
24	4		58 60 22	•Nut	•Mutter	See group 2	
25	4		60 00 13	•Washer	•Bricka	See group 2	
26	8		60 00 08	•Washer	•Bricka	See group 5	
27	24		61 50 44	•Conical spring washer ...	•Spännbricka	See group 5	

Page Sida		Group Grupp		Picture No Bild nr		Issue Utgåva		ROPS PLATTFORM		ROPS PLATTFORM	
22		10		14281-1		S-10202-2					
Ref Pos	Quantity/Antal			Part No Art nr	Description	Benämning	Note Anmärkning	C, P K, L			
	CA										
	30										
	1			34 63 71	Rops plattform kit	Rops plattform sats	17)				
1	1			34 63 22	•Rops plattform	•Rops plattform					
2	4			45 01 44	•Shock absorber	•Gummielement					
3	4			84 27 56	•Washer	•Bricka					
4	16			50 80 74	•Screw	•Skruv					
5	2			92 48 43	•Screw	•Skruv					
6	2			92 38 55	•Screw	•Skruv					
7	2			34 63 57	•Stop	•Stopp					
8	2			34 63 56	•Stop	•Stopp					
9	4			58 60 23	•Lock nut	•Låsmutter					
10	4			92 38 44	•Plastic plug	•Plastplugg					
11	1			92 39 54	•Plastic plug	•Plastplugg					
12	1			34 60 79	•Moulding	•List					
13	23			92 31 35	•Screw	•Skruv					
14	23			60 10 01	•Washer	•Bricka					
15	4			34 63 54	•Mounting plate	•Monteringsplatta					

17) See service information 3336.

Se service information 3336.

Page Sida	Group Grupp	Picture No Bild nr	Issue Utgåva	CAB			HYTT	
32	10	14320-1	S-10202-2					
Ref Pos	Quantity/Antal			Part No Art nr	Description	Benämning	Note Anmärkning	C, P K, L
	CA							
	30							
41	1 x L			46 65 84	• Sealing profile, door opening	• Tätninglist, dörröppning	State length	

Page Sida		Group Grupp		Picture No Bild nr		Issue Utgåva		SIDE COVERS		SIDOLUCKOR	
42		10		14036-1		S-10202-2					
Ref Pos	Quantity/Antal		Part No Art nr	Description	Benämning	Note Anmärkning	C, P K, L				
	CA	1)30									
• 1	1		34 59 66	Side covers, mount. kit	Sidoluckor, mont. sats	2),3)					
• 2	1		34 62 73	Side covers, mont. kit	Sidoluckor, mont. sats	10)					
• 3	2		34 55 13	•Support plate	•Stödplåt						
• 4	4		54 17 05	•Screw	•Skruv						
• 5	1		34 59 75	•Bracket	•Fäste						
• 6	2xL		20 20 28	•List	•List	L = 1085 mm					
• 7	2		54 17 08	•Screw	•Skruv						
• 8	1		34 59 61	•Cover, right	•Lucka, höger						
• 9	1		34 59 62	•Cover, left	•Lucka, vänster	Not shown					
• 10	2xL		20 20 28	•List	•List	L = 1535 mm					
• 11	4		35 30 96	•Handle	•Handtag						
• 12	16		62 40 21	•Pop rivet	•Popnit						
• 13	8		34 55 16	•Plate holder	•Plåthållare						
• 14	8		50 00 28	•Screw	•Skruv						
• 15	8		61 50 44	•Conical spring washer ...	•Spännbricka						
• 16	8		57 00 07	•Nut	•Mutter						
• 17	8		60 00 09	•Washer	•Bricka						
• 18	16		50 00 28	•Screw	•Skruv						
• 19	4		92 58 46	•Screw	•Skruv						
• 20	2		34 55 18	•Stiffening	•Förstyvning	2),3)					
• 21	2		34 55 19	•Support	•Stöd	2),3)					
• 22	2		34 62 70	•Support	•Stöd	10)					
• 23	8		47 50 64	•Latch	•Låsspärr						
• 24	1		34 59 59	•Side plate, right	•Sidoplåt, höger						
• 25	1		34 59 60	•Side plate, left	•Sidoplåt, vänster	Not shown					
• 26	2xL		20 20 28	•List	•List	L = 480 mm					

- 1) CA 30, all models
CA 30, alla typer
- 2) CA 30 with Caterpillar
CA 30 med Caterpillar
- 3) CA 30 with Deutz
CA 30 med Deutz
- 10) CA 30 with Detroit
CA 30 med Detroit

CLICK HERE TO **DOWNLOAD** THE COMPLETE MANUAL

- Thank you very much for reading the preview of the manual.
- You can download the complete manual from: www.heydownloads.com by clicking the link below



- Please note: If there is no response to CLICKING the link, please download this PDF first and then click on it.

CLICK HERE TO **DOWNLOAD** THE COMPLETE MANUAL