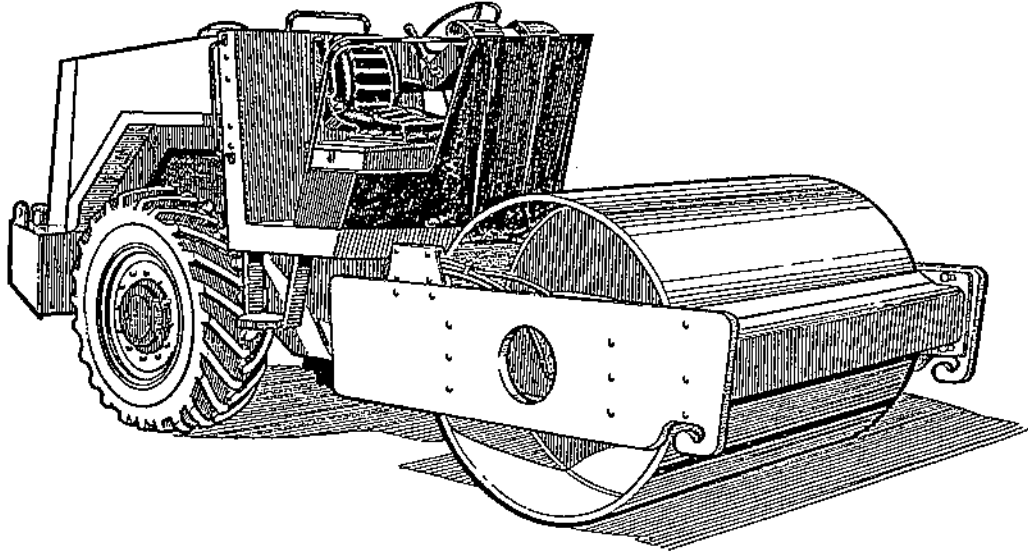


# SPARE PARTS CATALOGUE



Deutz diesel engine F4L 912

Cummins diesel engine 4BT 3.9

Gäller för ser.no. 598007-

Valid for ser.no. 598007-

SPARE PARTS CATALOGUE

## CA 151

VIBRATORY ROLLER

S-10216-2

Replaces

S-10216-1

## **DYNAPAC**

**DYNAPAC HEAVY EQUIPMENT AB**

Spare Parts

---

Postal address	Telephone	Telex	Telefax	Bankers
Main office: P O Box 504 S-371 23 Karlskrona · Sweden	Int. +46 455 229 30 Nat. 0455-229 30	43041 DYNKAR	Int. +46 455 295 39 Nat. 0455-295 39	Skandinaviska Enskilda Banken Malmö

---

We reserve the right to change specifications without notice

CLICK HERE TO **DOWNLOAD** THE COMPLETE MANUAL

- Thank you very much for reading the preview of the manual.
- You can download the complete manual from: [www.heydownloads.com](http://www.heydownloads.com) by clicking the link below



- Please note: If there is no response to CLICKING the link, please download this PDF first and then click on it.

CLICK HERE TO **DOWNLOAD** THE COMPLETE MANUAL

0010

Utgåva Issue	Bildnr Picture No	RAMAR	FRAMES	Grupp Group	Sida Page
1989-02	13759			10	4

0020  
0040  
0060  
0080  
0100  
0120  
0140  
0160  
0180  
0200  
0220  
0240  
0260  
0280  
0300  
0320  
0340  
0360  
0380  
0400  
0420  
0440  
0460

Pos. Fig.	Antal/Quantity				Art nr Part No	Benämning	Description	Sats Kit	L S	Anmärkning Notes
	CA 151									
1	1				34 89 53	Valsram .....	Drum frame .....			
2	1					Styrlid .....	Steering link .....			
						.det se sida 010 , 1a19 ....	.comp page 010 , 1a19 ....			
3	1				34 74 10	Verktygslåda, kpl .....	Tool box, cpl .....			
4	1				35 30 84	.Excenterregel .....	.Eccentric lock .....			
5	1				35 30 03	.Hake .....	.Hook .....			
6	3				50 00 21	Skruv .....	Screw .....			
7	3				61 50 43	Bricka .....	Washer .....			
8	2				92 64 29	Plugg .....	Plug .....			
9	6				92 79 93	Plugg .....	Plug .....			
10	6				50 00 47	Skruv .....	Screw .....			
11	6				61 50 43	Bricka .....	Washer .....			
12	1				49 90 97	Tanklock .....	Filler cap .....		D 3	
13	1				34 55 57	Lock .....	Cover .....			
14	1				85 01 45	Packning .....	Gasket .....			
15	1				50 20 31	Skruv .....	Screw .....			
16	1				60 00 08	Bricka .....	Washer .....			
17	1				34 37 75	Vajer .....	Wire .....			
18	1				63 50 19	Sprint .....	Pin .....			
19	1				50 02 08	Skruv .....	Screw .....			
20	1				81 52 15	Säkerhetslänk .....	Safety lock .....			
21	1				58 60 22	Mutter .....	Nut .....			
22	1				34 89 52	Traktorram .....	Tractor frame .....			

0010

Utgåva Issue	Bildnr Picture No	VALS	DRUM	Grupp Group	Sida Page
1989-02	14759			20	4

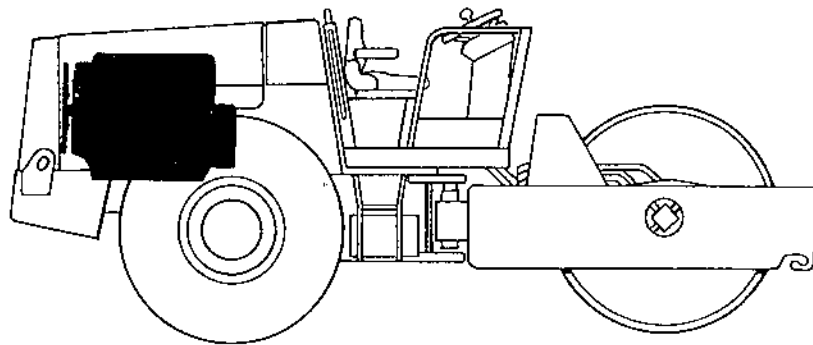
0020  
0040  
0060  
0080  
0100  
0120  
0140  
0160  
0180  
0200  
0220  
0240  
0260  
0280  
0300  
0320  
0340  
0360  
0380  
0400  
0420  
0440  
0460  
0480  
0500  
0520  
0540  
0560  
0580  
0600  
0620  
0640  
0660

Pos. Fig.	Antal/Quantity			Art nr Part No	Benämning	Description	Sats Kit	L S	Anmärkning Notes
	CA 151								
	1	1		34 91 81	Vals kpl .....	Drum cpl .....			
	2	1		34 91 50	.Vals .....	.Drum .....			
	3	16		50 01 02	.Skruv .....	.Screw .....			
	4	16		61 50 46	.Bricka .....	.Washer .....			
	5	16		50 01 34	.Skruv .....	.Screw .....			
	6	16		58 60 21	.Mutter .....	.Nut .....			
	7	16		60 00 11	.Bricka .....	.Washer .....			
	8	1		92 67 36	.Avluftningsnippel .....	.Air vent nipple .....	D	3	
	9	1		34 91 48	.Motorfläns .....	.Motor flange .....			
	10	2		16 01 05	.O-ring .....	.O-ring .....	D	3	
	11	2		34 34 62	.Lagerlock .....	.Bearing clamp .....			
	12	16		50 80 19	.Skruv .....	.Screw .....			
	13	2		11 60 41	.Lager .....	.Bearing .....	D	3	
	14	2		34 38 94	.Fästplåt .....	.Mounting plate .....			
	15	8		33 67 42	.Gummielement .....	.Shock absorber .....	B	2	
	16	64		50 00 37	.Skruv .....	.Screw .....			
	17	64		58 60 19	.Mutter .....	.Nut .....			
	18	64		60 00 09	.Bricka .....	.Washer .....			
	19	2		34 33 22	.Fästplåt .....	.Mounting plate .....			
	20	1		92 25 52	.Oljenivåglas .....	.Oil level glass .....	D	3	
	21	2		34 38 97	.Lagerhus .....	.Bearing housing .....			
	22	2		34 33 18	.Lagerhus .....	.Bearing housing .....			
	23	2		16 70 23	.Tätning .....	.Seal .....	D	3	
	24	2		11 40 36	.Lager .....	.Bearing .....	D	3	
	25	1		34 38 95	.Exenteraxel kpl .....	.Eccentric shaft cpl .....			
	26	2		16 01 07	.O-ring .....	.O-ring .....	D	3	
	27	1		34 34 61	.Lock .....	.Cover .....			
	28	8		50 01 95	.Skruv .....	.Screw .....			
	29	8		61 50 45	.Bricka .....	.Washer .....			
	30	1		34 37 44	.Plugg .....	.Plug .....			
	31	1		16 20 17	.Tätning .....	.Sealing .....	D	3	
	32	1		34 38 01	.Skylt .....	.Sign plate .....			
	33	4		58 70 02	.Skruv .....	.Screw .....			

# ***DYNAPAC***

ENGINE

MOTOR



0050

Utgåva Issue	Bildnr Picture No	BRÄNSLESYSTEM Deutz	FUEL SYSTEM Deutz	Grupp Group	Sida Page
1989-02	14767			30	12

0020  
0040  
0060  
0080  
0100  
0120  
0140  
0160  
0180  
0200  
0220  
0240  
0260  
0280  
0300  
0320  
0340

Pos. Fig.	Antal/Quantity				Art nr Part No	Benämning	Description	Sats Kit	L S	Anmärkning Notes
	CA									
1	2				33 01 70	Nippel .....	Nipple .....			
2	2				33 01 71	Skruv .....	Screw .....			
3	5				74 72 82	Bricka .....	Washer .....			
4	2				81 33 29	Slangklämma .....	Clamp .....			
5	1XL				81 33 28	Slang .....	Hose .....	D 3		L=380MM
6	2				33 40 41	Nippel .....	Nipple .....			
7	1				23 01 95	Skruv .....	Screw .....			
8	1				34 30 41	Adapter .....	Adapter .....			
9	5				74 81 15	Bricka .....	Washer .....			
10	2				31 30 55	Slangklämma .....	Clamp .....			
11	1XL				20 50 69	Slang .....	Hose .....	D 3		L=1725MM
12	1				34 89 23	Bränslenivågivare .....	Fuel level sender .....	D 4		
13	1				34 89 24	Packning .....	Gasket .....	D 3		
14	5				50 00 06	Skruv .....	Screw .....			
15	5				61 50 41	Bricka .....	Washer .....			
16	1				92 10 39	Klammer .....	Clamp .....			
17	4				31 30 41	Buntband .....	Cable tie .....			



0100

Utgåva Issue	Bildnr Picture No	AVGASSYSTEM Cummins	EXHAUST SYSTEM Cummins	Grupp Group	Sida Page
1989-02	14772			30	22

0020  
0040  
0060  
0080  
0100  
0120  
0140  
0160  
0180  
0200

Pos. Fig.	Antal/Quantity				Art nr Part No	Benämning	Description	Sats Kit	L S	Anmärkning Notes
	CA									
	151									
1	1				34 89 34	Avgasrör .....	Exhaust pipe .....	D	3	
2	1				92 90 87	Avgasslang .....	Exhaust hose .....	D	3	
3	1				80 26 20	Ljuddämpare .....	Muffler .....			
4	2				81 50 69	Fästband .....	Strap .....			
5	1				92 91 85	Klammer .....	Clamp .....			
6	2				31 30 94	Klammer .....	Clamp .....			
7	4				50 00 31	Skruv .....	Screw .....			
8	4				60 00 08	Bricka .....	Washer .....			
9	4				58 60 18	Mutter .....	Nut .....			
10	2				34 89 27	Distans .....	Spacer .....			



0030

Utgåva Issue	Bildnr Picture No	PLANETVÄXEL	PLANETARY GEAR	Grupp Group	Sida Page
1989-02	14677			40	8

Pos. Fig.	Antal/Quantity				Art nr Part No	Benämning	Description	Sats Kit	L S	Anmärkning Notes
	CA 151 26)									
0020	1	4			92 67 32	Plugg .....	Plug .....			
0040	2	2			92 96 49	Skruv .....	Screw .....			
0060	3	2			92 98 94	Packningssats .....	Seal kit .....	D	3	
0080	4	2				.Tätning .....	.Seal .....			
0100	5	1				.Tätning .....	.Seal .....			
0120	6	1				.O-ring .....	.O-ring .....			
0140	7	1				.O-ring .....	.O-ring .....			
0160	8	3				.O-ring .....	.O-ring .....			
0180	9	2			92 96 51	Ring .....	Ring .....			
0200	10	2			92 96 55	Axel .....	Shaft .....			
0220	11	2			92 96 76	Ring .....	Ring .....			
0240	12	4			92 96 74	Lager .....	Bearing .....			
0260	13	2			92 96 53	Nav .....	Hub .....			
0280	14	24			92 96 52	Pinnbult .....	Stud .....			
0300	15	24			92 67 83	Mutter .....	Nut .....			
0320	16	2			92 96 72	Ringdrev .....	Ring gear .....			
0340	17	2			92 96 71	Låsring .....	Snap ring .....			
0360	18	10			92 96 70	Tapp .....	Dowel .....			
0380	19	2			92 96 69	Ringdrevsstöd .....	Ring gear support .....			
0400	20	2			92 96 68	Låsplatta .....	Locking plate .....			
0420	21	10			92 96 54	Skruv .....	Screw .....			
0440	22	12			92 96 67	Skruv .....	Screw .....			
0460	23	6			92 96 66	Bricka .....	Washer .....			
0480	24	2			92 96 60	Planethjulshållare .....	Planet gear carrier .....			
0500	25	2			92 98 95	Planethjulssats .....	Planet gear kit .....	D	4	
0520	26	6				.Bricka .....	.Washer .....			
0540	27	6				.Låsring .....	.Snap ring .....			
0560	28	3				.Drev .....	.Gear .....			
0580	29	3				.Lager .....	.Bearing .....			
0600	30	3				.Axel .....	.Shaft .....			
0620	31	6			92 96 63	Tapp .....	Dowel .....			
0640	32	2			92 96 62	Distans .....	Spacer .....			
0660	33	8			92 96 61	Skruv .....	Screw .....			
0680	34	2			92 67 29	Magnetplugg .....	Magnetic plug .....			

26 } Gäller både vänster och höger sida Valid both for left and right side

0030

Utgåva Issue	Bildnr Picture No	HYDRAULSYSTEM Framdrivning	HYDRAULIC SYSTEM Propulsion	Grupp Group	Sida Page
1989-02	14776			50	8

Pos. Fig.	Antal/Quantity		Art nr Part No	Benämning	Description	Sats Kit	L S	Anmärkning Notes
	CA 151 D	CA 151 PD						
0020	1	1	16 01 57	O-ring .....	O-ring .....	D	3	
0040	2	8	60 40 08	Bricka .....	Washer .....			
0060	3	1	33 42 27	Adapter .....	Adapter .....			
0080	4	1	33 42 39	Adapter .....	Adapter .....			
0100	5	1	48 25 80	Hydraulslang .....	Hydr.hose .....	D	3	
0120	6	1	33 41 40	Adapter .....	Adapter .....			
0140	7	4	92 92 26	Flänshalva .....	Flange half .....			
0160	8	2	16 00 06	O-ring .....	O-ring .....	D	3	
0180	9	1		Hydraulpump .....	Hydraulic pump .....	D	4	
0200				.det se sida 012 , 1e13 .....	.comp page 012 , 1e13 .....			
0220	10	1	81 34 99	Adapter .....	Adapter .....			
0240	11	1	48 20 10	Hydraulslang .....	Hydr.hose .....	D	3	
0260	12	2	48 26 67	Hydraulslang .....	Hydr.hose .....	D	3	
0280	13	1	33 41 38	Adapter .....	Adapter .....			
0300	14	1	34 91 17	Hydraulmotor .....	Hydraulic motor .....	D	4	-598094
0320				.det se sida 014 , 1e15 .....	.comp page 014 , 1e15 .....			
0330 X		1	34 96 36	Hydraulmotor .....	Hydraulic motor .....	D	4	598095-
0340	15	1	23 42 33	Adapter .....	Adapter .....			
0360	16	2	90 04 55	Adapter .....	Adapter .....			
0380	17	1	48 21 82	Hydraulslang .....	Hydr.hose .....	D	3	
0400	18	1	48 23 58	Hydraulslang .....	Hydr.hose .....	D	3	
0420	19	1	23 47 46	Adapter .....	Adapter .....			
0440	20	2	81 34 29	O-ring .....	O-ring .....	D	3	
0460	21	1	23 48 75	Adapter .....	Adapter .....			
0480	22	1	33 41 57	Adapter .....	Adapter .....			
0500	23	1	23 33 12	Backventil .....	Check valve .....	D	4	
0520	24	1	81 37 38	Adapter .....	Adapter .....			
0540	25	2	90 02 29	Mät nipple .....	Measuring nipple .....	D	3	
0560	26	8	50 21 13	Skruv .....	Screw .....			
0580	27	8	60 40 08	Bricka .....	Washer .....			
0600	28	8	50 20 36	Skruv .....	Screw .....			
0620	29	8	60 40 06	Bricka .....	Washer .....			
0640	30	8	50 01 94	Skruv .....	Screw .....			
0660	31	12	61 50 45	Bricka .....	Washer .....			
0680	32	1	433 83 04 01	Nippel .....	Nipple .....			
0700	33	1	91 01 61	Mät nipple .....	Measuring nipple .....	D	3	
0720	34	4	92 33 84	Flänshalva .....	Flange half .....			
0740	35	1	33 41 35	Adapter .....	Adapter .....			
0760	36	2	23 42 43	Adapter .....	Adapter .....			
0780	37	1	48 21 07	Hydraulslang .....	Hydr.hose .....	D	3	
0800	38	2	48 26 68	Hydraulslang .....	Hydr.hose .....	D	3	
0820	39	4	34 37 32	Slanghållare .....	Hose clamp .....			
0840	40	3	34 92 10	Gummiplatta .....	Rubber plate .....			
0860	41	2	33 59 14	Bricka .....	Plate .....			
0880	42	1	34 92 11	Slangskydd .....	Hose protection .....			
0900	43	8	50 00 33	Skruv .....	Screw .....			
0920	44	8	60 00 08	Bricka .....	Washer .....			
0940	45	1	34 92 13	Plåt .....	Plate .....			
0960	46	1	34 92 12	Skydd .....	Cover .....			
0980	47	2	50 01 33	Skruv .....	Screw .....			
1000	48	2	60 00 09	Bricka .....	Washer .....			

0070

Utgåva Issue	Bildnr Picture No	HYDRAULSYSTEM Vibration	HYDRAULIC SYSTEM Vibration	Grupp Group	Sida Page
1989-02	14779			50	18

Pos. Fig.	Antal/Quantity			Art nr Part No	Benämning	Description	Sats Kit	L S	Anmärkning Notes
	CA 151								
0020	1	1		33 42 27	Adapter .....	Adapter .....			
0040	2	1		33 42 39	Adapter .....	Adapter .....			
0060	3	1		48 22 94	Hydraulslang .....	Hydr. hose .....	D	3	
0080	4	1		23 44 35	Adapter .....	Adapter .....			
0100	5	1		34 91 18	Hydraulpump .....	Hydraulic pump .....			
0120					.det se sida 020 , 1e21 .....	.comp page 020 , 1e21 .....			
0140	6	1		90 05 12	O-ring .....	O-ring .....	D	3	
0160	7	2		90 04 55	Adapter .....	Adapter .....			
0180	8	2		16 00 06	O-ring .....	O-ring .....	D	3	
0200	9	4		92 92 26	Flänshalva .....	Flange half .....			
0220	10	2		23 46 67	Adapter .....	Adapter .....			
0240	11	2		48 26 64	Hydraulslang .....	Hydr. hose .....	D	3	
0260	12	4		90 04 30	Flänshalva .....	Flange half .....			
0280	13	2		16 01 90	O-ring .....	O-ring .....	D	3	
0300	14	1		34 91 19	Hydraulmotor .....	Hydr. motor .....			
0320					.det se sida 022 , 1e23 .....	.comp page 022 , 1e23 .....			
0340	15	1		16 01 57	O-ring .....	O-ring .....	D	3	
0360	16	1		33 41 21	Adapter .....	Adapter .....			
0380	17	1		48 26 65	Hydraulslang .....	Hydr. hose .....	D	3	
0400	18	1		33 41 35	Adapter .....	Adapter .....			
0420	19	1		33 42 05	Adapter .....	Adapter .....			
0440	20	1		48 21 67	Hydraulslang .....	Hydr. hose .....	D	3	
0460	21	1		33 41 34	Adapter .....	Adapter .....			
0480	22	2		91 01 62	Mät nipple .....	Measuring nipple .....	D	3	
0500	23	1		91 01 61	Mät nipple .....	Measuring nipple .....	D	3	
0520	24	1		34 92 09	Plugg .....	Plug .....			
0540	25	4		34 37 32	Slanghållare .....	Hose clamp .....			
0560	26	3		34 92 10	Gummiplatta .....	Rubber plate .....			
0580	27	2		33 59 14	Bricka .....	Plate .....			
0600	28	1		34 92 12	Skydd .....	Cover .....			
0620	29	1		34 92 13	Plåt .....	Plate .....			
0640	30	2		50 20 58	Skruv .....	Screw .....			
0660	31	6		61 50 45	Bricka .....	Washer .....			
0680	32	8		50 20 36	Skruv .....	Screw .....			
0700	33	8		60 40 06	Bricka .....	Washer .....			
0720	34	8		50 00 32	Skruv .....	Screw .....			
0740	35	8		60 00 08	Bricka .....	Washer .....			
0760	36	2		50 01 33	Skruv .....	Screw .....			
0780	37	2		60 00 09	Bricka .....	Washer .....			
0800	38	2		58 60 19	Mutter .....	Nut .....			
0820	39	4		50 01 94	Skruv .....	Screw .....			
0840	40	8		50 20 19	Skruv .....	Screw .....			
0860	41	8		60 40 05	Bricka .....	Washer .....			



CLICK HERE TO **DOWNLOAD** THE COMPLETE MANUAL

- Thank you very much for reading the preview of the manual.
- You can download the complete manual from: [www.heydownloads.com](http://www.heydownloads.com) by clicking the link below



- Please note: If there is no response to CLICKING the link, please download this PDF first and then click on it.

CLICK HERE TO **DOWNLOAD** THE COMPLETE MANUAL

0090

Utgåva Issue	Bildnr Picture No	HYDRAULMOTOR Vibration	HYDRAULIC MOTOR Vibration	Grupp Group	Sida Page
1989-02	14781			50	22

0020  
0040  
0060  
0080

Pos. Fig.	Antal/Quantity				Art nr Part No	Benämning	Description	Sats Kit	L S	Anmärkning Notes
	CA 151									
1	1				34 91 19	Hydraulmotor kpl .....	Hydraulic motor cpl .....			
2	1				21 23 69	.Roterande grupp kpl .....	.Rotating group cpl .....	D	4	
3	1				21 23 70	.Packningssats .....	.Seal kit .....	D	3	
4	1				21 23 71	..Axeltätning .....	..Shaft seal .....	D	3	



0120

Utgåva Issue	Bildnr Picture No	STYRCYLINDER	STEERING CYLINDER	Grupp Group	Sida Page
1989-02	14784			50	32

0020  
0040  
0060  
0080  
0100  
0120  
0140  
0160  
0180  
0200  
0220  
0240  
0260  
0280

Pos. Fig.	Antal/Quantity				Art nr Part No	Benämning	Description	Sats Kit	L S	Anmärkning Notes
	CA 151									
	1	1			34 71 10	Styrcylinder kpl .....	Steering cylinder cpl .....	C	3	
	2	1			92 70 36	.Packningssats .....	.Seal kit .....	D	3	
	3	2				..O-ring .....	..O-ring .....			
	4	1				..Kolvtätning .....	..Piston seal .....			
	5	1				..Avstrykare .....	..Scraper ring .....			
	6	1				..O-ring .....	..O-ring .....			
	7	1				..Kolvstångtätning .....	..Piston rod seal .....			
	8	1				..Styrring .....	..Guide ring .....			
	9	4			92 69 77	.Mutter .....	.Nut .....			
	10	4			63 50 61	.Sprint .....	.Clip .....			
	11	2			34 71 19	.Axel .....	.Shaft .....			
	12	1			81 34 22	.Piugg .....	.Plug .....			
	13	2			92 58 06	.Skyddsplugg .....	.Protective plug .....			
	14	1			34 76 13	.Typdekal .....	.Type decal .....			



0010

Utgåva Issue	Bildnr Picture No	ELUTRUSTNING Deutz	ELECTRICAL EQUIPMENT Deutz	Grupp Group	Sida Page
1989-02	14788			60	4

0020  
0060  
0080  
0100  
0120  
0140  
0160  
0180  
0200  
0220  
0240  
0260  
0280  
0300  
0320  
0340  
0360  
0380  
0400  
0420  
0440  
0460  
0480  
0500  
0520  
0540  
0560  
0580

Pos. Fig.	Antal/Quantity				Art nr Part No	Benämning	Description	Sats Kit	L S	Anmärkning Notes
	CA									
1	1				34 89 99	Instrumentpanel .....	Dash board .....			SEE GROUP 70
2	1				34 88 51	Kabelhärva .....	Cable harness .....			
3	1				47 00 20	Batteri .....	Battery .....			
4	1				34 27 74	Gummimatta .....	Rubber sheet .....			
5	1				34 38 37	Batteriram .....	Battery bracket .....			
6	2				81 33 30	Skruv .....	Screw .....			
7	2				57 10 02	Mutter .....	Nut .....			
8	1				93 01 50	Batterifrånskiljare .....	Battery switch .....	D	3	
9	1				92 80 21	.Nyckel .....	.Key .....	D	3	
10	1				99 90 27	Signalhorn .....	Horn .....	D	4	
11	1				97 50 65	Startrelä .....	Starter relay .....	D	3	
12	1				34 81 36	Batterikabel .....	Battery cable .....			
13	1				34 57 25	Startkabel .....	Starting cable .....			
14	1				34 57 28	Jordkabel .....	Ground cable .....			
15	1				34 83 30	Jordkabel .....	Ground cable .....			
16	1				34 39 29	Fäste .....	Bracket .....			
17	N				31 30 41	Buntband .....	Cable tie .....			
18	1				34 90 82	Reläfäste .....	Relay bracket .....			
19	4				50 00 13	Skruv .....	Screw .....			
20	6				57 00 04	Mutter .....	Nut .....			
21	5				61 50 42	Bricka .....	Washer .....			
22	2				50 00 48	Skruv .....	Screw .....			
23	4				61 50 44	Bricka .....	Washer .....			
24	4				61 50 43	Bricka .....	Washer .....			
25	1				81 33 48	Gummigenomföring .....	Grommet .....			
26	1				50 00 25	Skruv .....	Screw .....			
27	1				57 00 05	Mutter .....	Nut .....			
28	1				92 57 15	Jordplint .....	Ground terminal .....			



0010

Utgåva Issue	Bildnr Picture No	FÖRARPLATTFORM	DRIVERS PLATFORM	Grupp Group	Sida Page
1989-02	14791			70	6

1040

1060

1080

1100

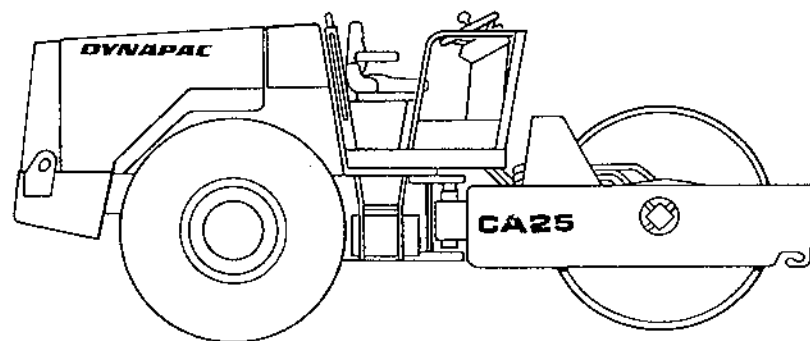
Pos. Fig.	Antal/Quantity				Art nr Part No	Benämning	Description	Sats Kit	L S	Anmärkning Notes
	CA									
	151									
51	16				50 00 29	Skruv .....	Screw.....			
52	4				50 01 42	Skruv .....	Screw.....			
53	16				61 50 44	Bricka .....	Washer .....			
54	4				58 60 21	Mutter.....	Nut.....			



# ***DYNAPAC***

DECALS

DEKALER



0010

Utgåva Issue	Bildnr Picture No	ARBETSBELYSNING WORKING LIGHT	Grupp Group	Sida Page
1989-02	13816-1		91	4

Pos. Fig.	Antal/Quantity				Art nr Part No	Benämning	Description	Sats Kit	L S	Anmärkning Notes
0020	1	1			34 57 92	Arbetsbelysning sats .....	Working light kit .....			
0040	2	1			34 59 88	.Kabel .....	.Cable .....			
0060	3	1			93 01 92	.Strömbr.-strålkastare .....	.Head lamp switch .....			
0080	4	1			93 01 95	.Kontaktblock .....	.Contact piece .....			
0100	5	1			34 59 86	.Kabel .....	.Cable .....			
0120	6	15			31 30 41	.Buntband .....	.Cable strap .....			
0140	7	1			34 59 87	.Kabel .....	.Cable .....			
0160	8	1			31 30 04	.Slangklämma .....	.Hose clamp .....			
0180	9	1XL			20 50 25	.Skyddsslang .....	.Protective hose .....			L=650MM
0200	10	1			34 59 89	.Kabelrör, vänster .....	.Cable pipe, left .....			
0220	11	1			34 59 91	.Kabelrör, höger .....	.Cable pipe, right .....			
0240	12	4			50 00 53	.Skruv .....	.Screw .....			
0260	13	4			50 00 28	.Skruv .....	.Screw .....			
0280	14	4			90 91 52	.Genomföring .....	.Grommet .....			
0300	15	2			90 91 53	.Genomföring .....	.Grommet .....			
0320	16	4			61 50 44	.Spännbricka .....	.Conical spring washer .....			
0340	17	4			58 60 18	.Mutter .....	.Nut .....			
0360	18	4			34 59 83	.Ljusbox .....	.Light box .....			
0380	19	4			98 50 66	.Strålkastare .....	.Head lamp .....			
0400	20	4			98 50 87	.Glödlampa .....	.Bulb .....			
0420	21	4			96 00 79	.Kabelsko .....	.Cable clip .....			
0440	22	4			34 59 84	.Fäste .....	.Bracket .....			
0460	23	4			58 60 03	.Mutter .....	.Nut .....			
0480	24	4			54 17 07	.Skruv .....	.Screw .....			
0500	25	4			61 50 44	.Spännbricka .....	.Conical spring washer .....			
0520	26	20			54 17 06	.Skruv .....	.Screw .....			
0540	27	20			92 10 87	.Klammer .....	.Clamp .....			
0560	28	4			34 59 90	.Kabelrör .....	.Cable pipe .....			
0580	29	1			93 01 54	.Kontaktblock .....	.Contact piece .....			



0060

Utgåva Issue	Bildnr Picture No	ROPS OCH HYTT	ROPS AND CAB	Grupp Group	Sida Page
1989-02	14267-1			91	14

0020  
0040  
0041  
0060  
0061

Pos. Fig.	Antal/Quantity				Art nr Part No	Benämning	Description	Sats Kit	L S	Anmärkning Notes
	1				34 63 69	Rops och hyttsats .....	Rops and cab kit cpl .....			27)
	1				34 63 70	.Rops kpl.....	.Rops cpl .....			27)
						.det se sida 016 , 1j17 .....	.comp page 016 , 1j17 .....			
	1				34 61 37	.Väderhytt sats kpl.....	.Weather cap kit cpl.....			
						.det se sida 020 , 1j21 .....	.comp page 020 , 1j21 .....			

27) Bara tillsammans med rops plattform Only together with rops platform



0100

Utgåva Issue		Bildnr Picture No		HYTTVÄRMARE CAB HEATER		Grupp Group	Sida Page		
1989-02		14286-1				91	24		
Pos. Fig.	Antal/Quantity			Art nr Part No	Benämning	Description	Sats Kit	L S	Anmärkning Notes
0020		1		34 62 38	Hyttvärmarsats, kpl .....	Cab heater kit, cpl .....			
0040	1	1		46 63 44	Hyttvärmare .....	Cab heater .....			
0060	2	1		46 64 12	Relä .....	Relay .....			
0080	3	1		46 64 19	Bränslepump .....	Fuel pump .....			
0100	4	1		46 63 65	Bränslefilter .....	Fuel filter .....			
0120	5	1		46 63 98	T-stycke .....	T-connection .....			
0140	6	1		46 64 16	Glödstift .....	Glow plug .....			
0160	7	1		46 64 18	Överhettningsskydd .....	Thermal cut off sw. ....			
0180	8	1		46 64 17	Termoströmställare .....	Temperatur switch .....			
0200	9	1		46 63 46	Tidur .....	Timer .....			
0220	10	1		46 63 47	Strömbrytare .....	Switch .....			
0240	11	1		34 49 94	Förbränningsluftslang .....	Combustion air hose .....			
0260	12	1		34 71 70	Avgasrör .....	Exhaust pipe .....			
0280	13	1		92 69 00	Slang .....	Hose .....			
0300	14	1		34 62 46	Anslutning .....	Connection .....			
0320	15	1		46 63 92	Bränsleledning .....	Fuel line .....			
0340	16	1XL		46 64 00	Bränsleslang .....	Fuel hose .....			STATE LENGHT
0360	17	1		46 63 99	Bränsleslang .....	Fuel hose .....			
0380	18	1		92 65 38	Säkringshållare .....	Fuse holder .....			



0150

Utgåva Issue	Bildnr Picture No	HJUL	TIRE AND WHEELS	Grupp Group	Sida Page
1989-02	14800			91	34

0020  
0040  
0060  
0080  
0100  
0120  
0140  
0160  
0180

Pos. Fig.	Antal/Quantity				Art nr Part No	Benämning	Description	Sats Kit	L S	Anmärkning Notes
	CA 151									
1	1				34 91 07	Hjul kpl .....	Tire and wheels cpl .....			
2	1				34 85 16	Hjul V .....	Wheel LH .....			
3	1				92 90 50	..Slang .....	..Tube .....			
4	1				92 90 49	..Däck .....	..Tire .....			
5	1				34 85 18	..Fälg .....	..Rim .....			
6	1				34 85 17	Hjul H .....	Wheel RH .....			
7	1				92 90 50	..Slang .....	..Tube .....			
8	1				92 90 49	..Däck .....	..Tire .....			
9	1				34 85 18	..Fälg .....	..Rim .....			



CLICK HERE TO **DOWNLOAD** THE COMPLETE MANUAL

- Thank you very much for reading the preview of the manual.
- You can download the complete manual from: [www.heydownloads.com](http://www.heydownloads.com) by clicking the link below



- Please note: If there is no response to CLICKING the link, please download this PDF first and then click on it.

CLICK HERE TO **DOWNLOAD** THE COMPLETE MANUAL