

TC-4255-2-00100 FOR OVERSEAS(FOR GT-600EX-1)

PB1000712-00 HYDRAULIC PRESSURE GENERATING SYSTEM

PC1000618-00 OUTRIGGER SYSTEM

PD1000611-00 SWING SYSTEM

PK1000699-04 FRAME

PL1000649-00 CONTROL DEVICES

PN1000586-01 ELECTRIC EQUIPMENT

PO1000155-01 INDICATION PLATES

PQ1000242-01 DRIVING POWER GENERATING SYSTEM

PR1000158-00 DRIVING POWER TRANSMISSION SYSTEM

PS1000185-00 STEERING SYSTEM

PT1000165-00 BRAKE SYSTEM

PU1000157-00 SUSPENSION

PW1000097-02 ACCESSORIES & TOOLS

PX1001115-03 MOUNTING PARTS

PY1001398-03 OPTIONS

ASSEMBLY

CLICK HERE TO **DOWNLOAD** THE COMPLETE MANUAL

- Thank you very much for reading the preview of the manual.
- You can download the complete manual from: www.heydownloads.com by clicking the link below



- Please note: If there is no response to CLICKING the link, please download this PDF first and then click on it.

CLICK HERE TO **DOWNLOAD** THE COMPLETE MANUAL

TC-4255-2-00100 FOR OVERSEAS(FOR GT-600EX-1)

Pos No.	Parts No	Parts Name	Qty	Unit	Technical Data	Serial No (Start)	Serial No (E
1	(*****)	OPE.ASSY,ACCELERATOR (CARRIER CAB)	1				
2	(*****)	OPE.ASSY,ACCELERATOR (LOWER)	1				

TC-4255-2-00100 FOR OVERSEAS(FOR GT-600EX-1)

Pos No.	Parts No	Parts Name	Qty	Unit	Technical Data	Serial No (Start)	Serial No (End)
1	(*****)	OPE.ASSY,STEERING (CARRIER)	1				
2	(*****)	OPE.ASSY,STEERING (CARRIER CAB)	1				
3	(*****)	PIPING,STEERING	1				

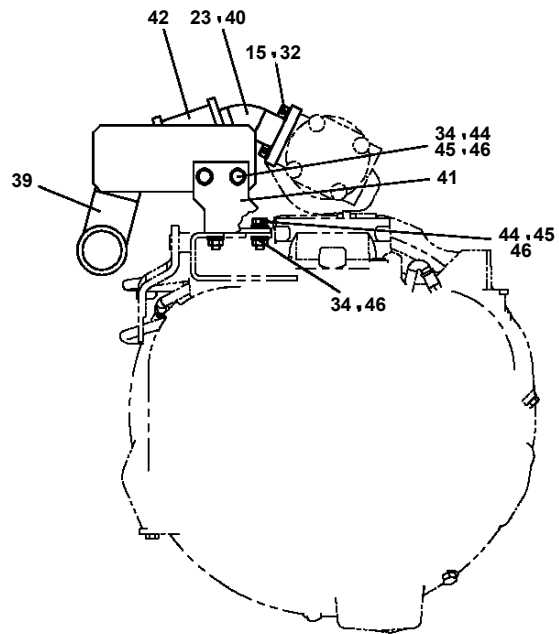
TC-4255-2-00100 FOR OVERSEAS(FOR GT-600EX-1)

Pos No.	Parts No	Parts Name	Qty	Unit	Technical Data	Serial No (Start)	Serial No (End)
1	(*****)	BOX,TOOL	1				
4	(*****)	PIPING,STEERING (EMERGENCY)	1				
5	(*****)	MOUNT (GAUGE CONNECTOR)	1				
6	35620432600	CAB,OPERATOR (WIPER BLADE ASSY)	1				
7	(*****)	INFLATOR,AIR	1				
8	(*****)	COCK,DRAIN (MOUNT)	1				
9	(*****)	MOUNT,LAMP (FOG)	1				

TC-4255-2-00100 FOR OVERSEAS(FOR GT-600EX-1)

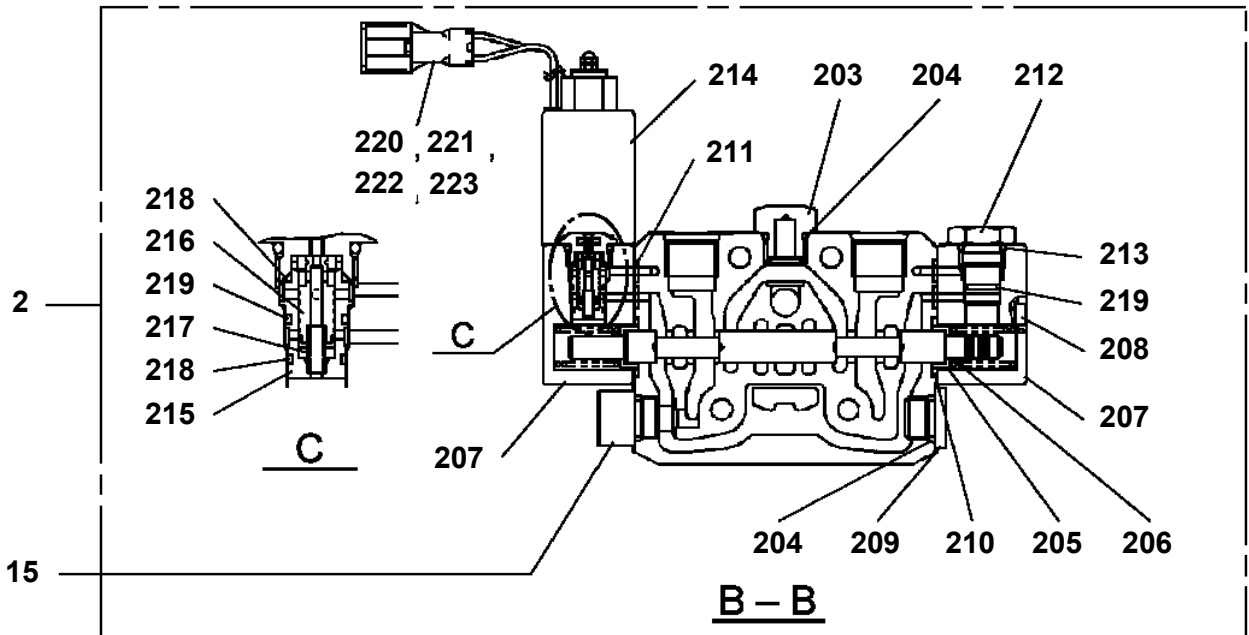
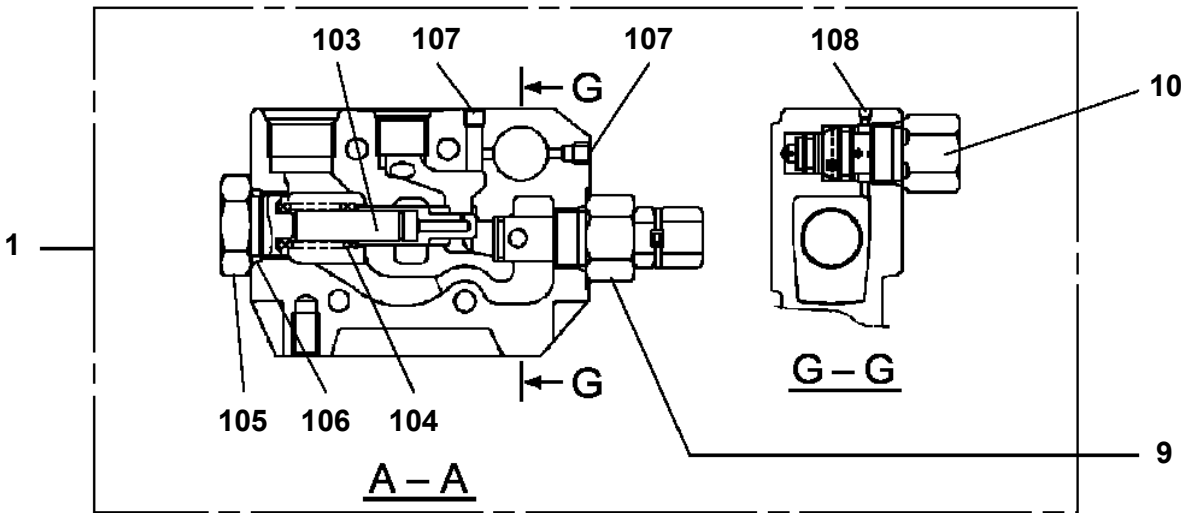
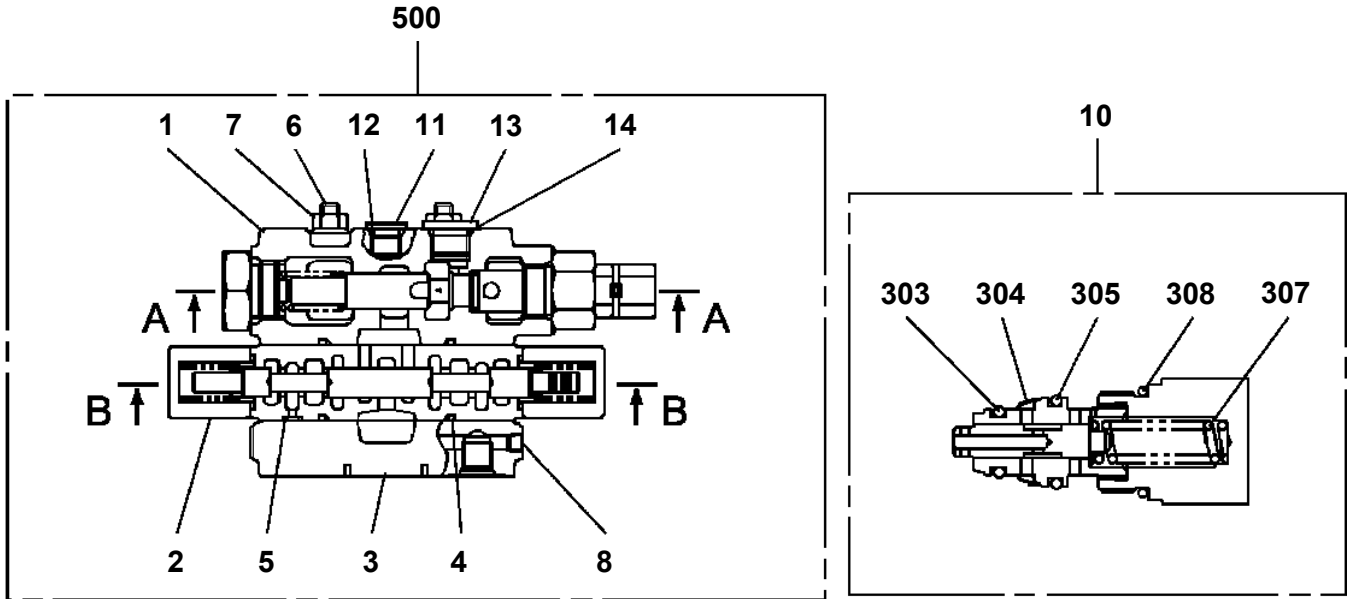
Pos No.	Parts No	Parts Name	Qty	Unit	Technical Data	Serial No (Start)	Serial No (End)	Rem
307	36653515020	GEAR,IDLE	1					
308	36653875070	GEAR	1					
309	36650845010	PLATE (A)	2					
310	36650845020	PLATE (B)	2					
311	36650115140	SEAL,SHAFT	4					
312	36651265010	COUPLING	1					
313	36651265020	BUSH	1					
314	36654455060	BOLT	4		M14X100			
315	36653155010	BEARING,NEEDLE	4					
316	36653656030	RING	2					
318	36651595020	SEAL,POCKET (O-RING)	12					
319	80602110190	RING,RITAINING	1		R19			
320	36653075120	WASHER,PLAIN	2					
321	80316030020	PLUG	2		PT1/8			
322	90303071401	WASHER,PLAIN	8		14			
323	90201701400	NUT	2		M14			
324	80730080020	PIN (STRAIGHT)	4		8X20			
325	36651595080	O-RING	1					
326	90171110030	BOLT	4		M10X30			
327	90302041001	WASHER,SPRING	2		10			
328	36654455070	BOLT	2		M14X95			
329	36653875080	BOLT,STUD	2		M14X140			
500	36654450000	PUMP,HYDRAULIC	1					

TC-4255-2-00100 FOR OVERSEAS(FOR GT-600EX-1)
PB1200202-01 PIPING,SUCTION

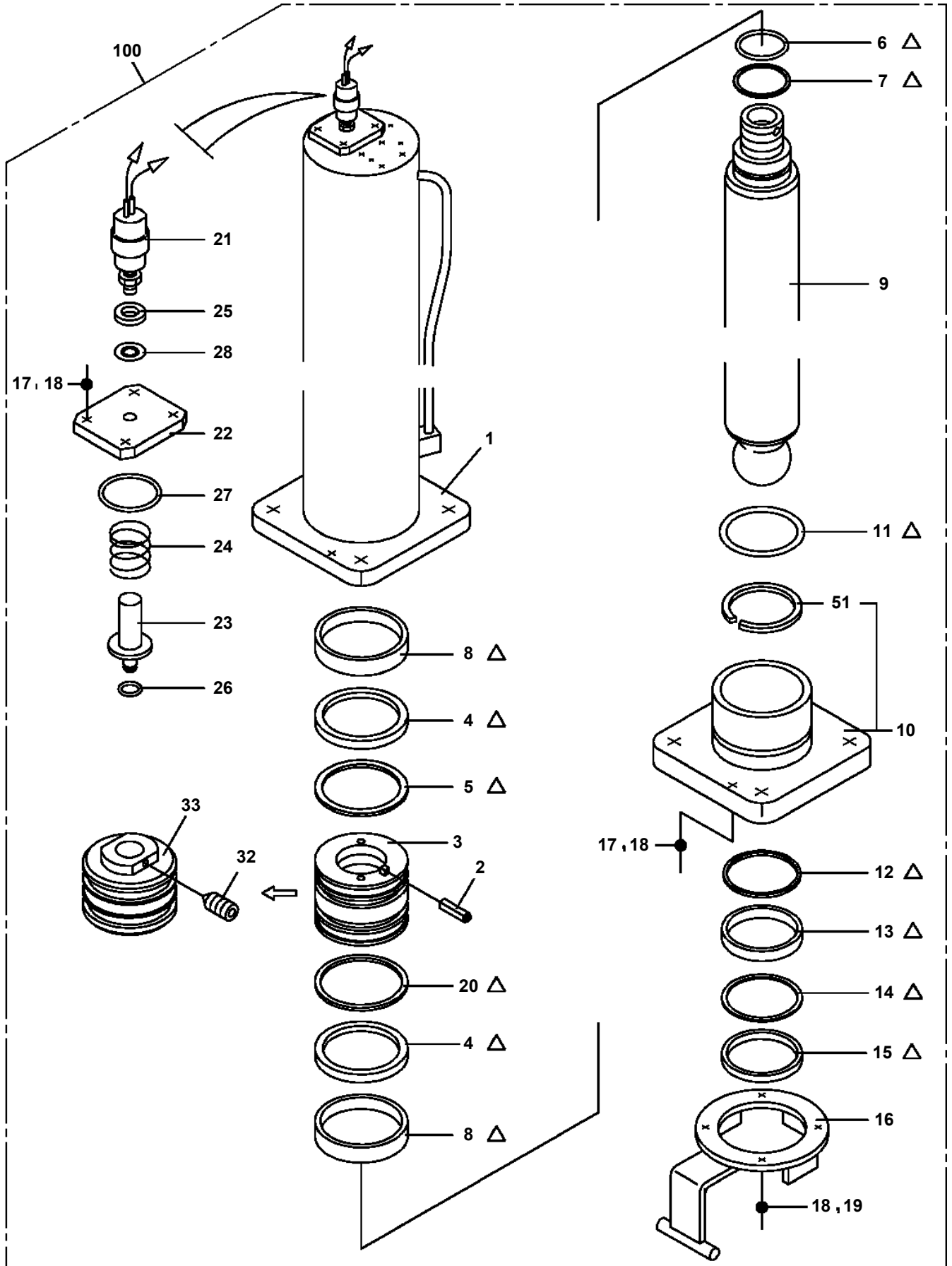


A

TC-4255-2-00100 FOR OVERSEAS(FOR GT-600EX-1)
 PB1360035-00 VALVE,PILOT CONTROL



TC-4255-2-00100 FOR OVERSEAS(FOR GT-600EX-1)
 PC1030461-01 CYLINDER,JACK



Δ:PACKING SET KEY NO.70 (KEY NO.4,5,6,7,8,11,12,13,14,15,20)

TC-4255-2-00100 FOR OVERSEAS(FOR GT-600EX-1)

Pos No.	Parts No	Parts Name	Qty	Unit	Technical Data	Serial No (Start)	Serial No (End)	Remarks	Pages
1	37002469140	HOSE	12		L=600				
2	80306010105	NUT	12		KKN12-000E				
3	80301010100	FITTING	14		KUA12-000N				
4	80301010160	FITTING	1		KUA18-000N				
5	80330000100	FITTING,TEE	2		KTZ-00003N				
6	80305010160	FITTING,TEE	1		KTA18-000E				
7	80305010100	FITTING,TEE	1		KTA12-000N				
8	80302090241	FITTING	1		KCO18-040N				
9	91002801800	O-RING	1		1B P18				
10	80302090161	FITTING	10		KCO12-030N				
11	91002801400	O-RING	22		1B P14				
12	81408000160	PIPE,STEEL	2	M	12X1.4T				
13	81408000160	PIPE,STEEL	3	M	12X1.4T				
14	81408000160	PIPE,STEEL	3	M	12X1.4T				
15	81408000160	PIPE,STEEL	2	M	12X1.4T				
16	81408000160	PIPE,STEEL	2	M	12X1.4T				
17	81408000160	PIPE,STEEL	2	M	12X1.4T				
18	81408000160	PIPE,STEEL	2	M	12X1.4T				
19	81408000160	PIPE,STEEL	2	M	12X1.4T				
20	81408000160	PIPE,STEEL	1	M	12X1.4T				
21	81408000160	PIPE,STEEL	1	M	12X1.4T				
22	81408000160	PIPE,STEEL	1	M	12X1.4T				
23	81408000160	PIPE,STEEL	1	M	12X1.4T				
24	81408000241	PIPE,STEEL	1	M	18X1.9T				
25	81408000241	PIPE,STEEL	1	M	18X1.9T				
26	81408000160	PIPE,STEEL	1	M	12X1.4T				
27	81408000241	PIPE,STEEL	4	M	18X1.9T				
28	81408000160	PIPE,STEEL	4	M	12X1.4T				
29	81408000160	PIPE,STEEL	4	M	12X1.4T				
30	81408000160	PIPE,STEEL	4	M	12X1.4T				
31	81408000160	PIPE,STEEL	4	M	12X1.4T				
32	81408000241	PIPE,STEEL	2	M	18X1.9T				
33	81408000160	PIPE,STEEL	3	M	12X1.4T				
34	81408000160	PIPE,STEEL	3	M	12X1.4T				
35	81408000160	PIPE,STEEL	3	M	12X1.4T				
36	81408000160	PIPE,STEEL	3	M	12X1.4T				
37	81408000160	PIPE,STEEL	1	M	12X1.4T				
38	81408000160	PIPE,STEEL	2	M	12X1.4T				
39	81408000160	PIPE,STEEL	2	M	12X1.4T				
40	81408000160	PIPE,STEEL	3	M	12X1.4T				
41	81408000160	PIPE,STEEL	2	M	12X1.4T				
42	81408000160	PIPE,STEEL	2	M	12X1.4T				
43	81408000160	PIPE,STEEL	2	M	12X1.4T				
44	37000711170	CLAMP ASSY	10		12X3				
45	37000600400	CLAMP	6						
46	37000711410	CLAMP ASSY	1		12-4				
47	80309010105	SLEEVE	12		KK012-000E				
49	90101508016	BOLT	12		M8X16				
50	90302040801	WASHER,SPRING	12		8				
71	37000570880	PLATE	2						
73	37000509200	PLATE	4						

TC-4255-2-00100 FOR OVERSEAS(FOR GT-600EX-1)

Pos No.	Parts No	Parts Name	Qty	Unit	Technical Data	Serial No (Start)	Serial No (End)	Remarks	Page
100	36361391260	COMPRESSOR ASSY	1						

TC-4255-2-00100 FOR OVERSEAS(FOR GT-600EX-1)

Pos No.	Parts No	Parts Name	Qty	Unit	Technical Data	Serial No (Start)	Serial No (End)	Remarks	Pages
1	35620434300	SUPPORT	1						
2	90101506020	BOLT	1		M6X20				
3	90303070601	WASHER,PLAIN	1		6				
4	90302040601	WASHER,SPRING	1		6				

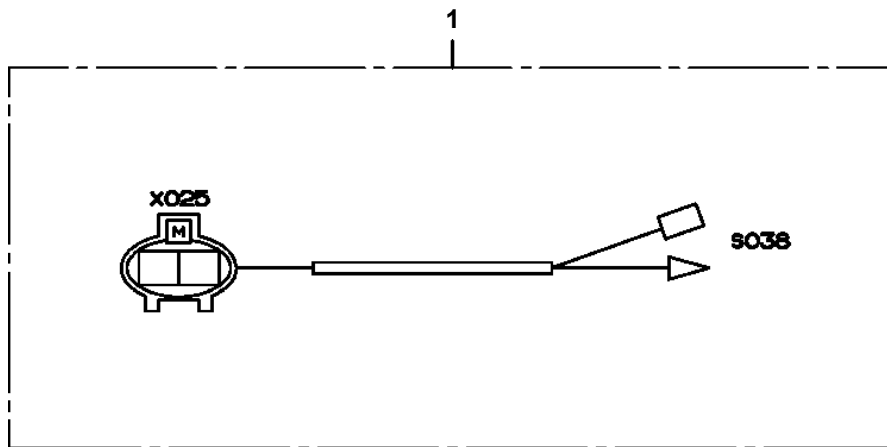
TC-4255-2-00100 FOR OVERSEAS(FOR GT-600EX-1)

Pos No.	Parts No	Parts Name	Qty	Unit	Technical Data	Serial No (Start)	Serial No (End)	Remarks	Pages
1	35410251100	COVER	1						
2	35410251200	LEVER ASSY	1						
3	90101208016	BOLT	3		M8X16				
4	90302040801	WASHER,SPRING	3		8				
5	90303070801	WASHER,PLAIN	3		8				
6	82100002037	CLAMP	1		WE10				
7	90302040601	WASHER,SPRING	1		6				
8	90201200600	NUT	1		M6				
9	90201202000	NUT	1		M20				
10	90302042001	WASHER,SPRING	1		20				
11	34960631200	PLATE	1						
12	82108501110	SWITCH	2		FL7M-5A6N-901		DC0857		
	82108503110	SWITCH	2			DC0858			
13	35410251500	SUPPORT	1						
32	80801002510	BEARING,PLAIN	2						
33	91280412921	SEAL,OIL	2						
50	35410251000	DETECTOR ASSY	1						

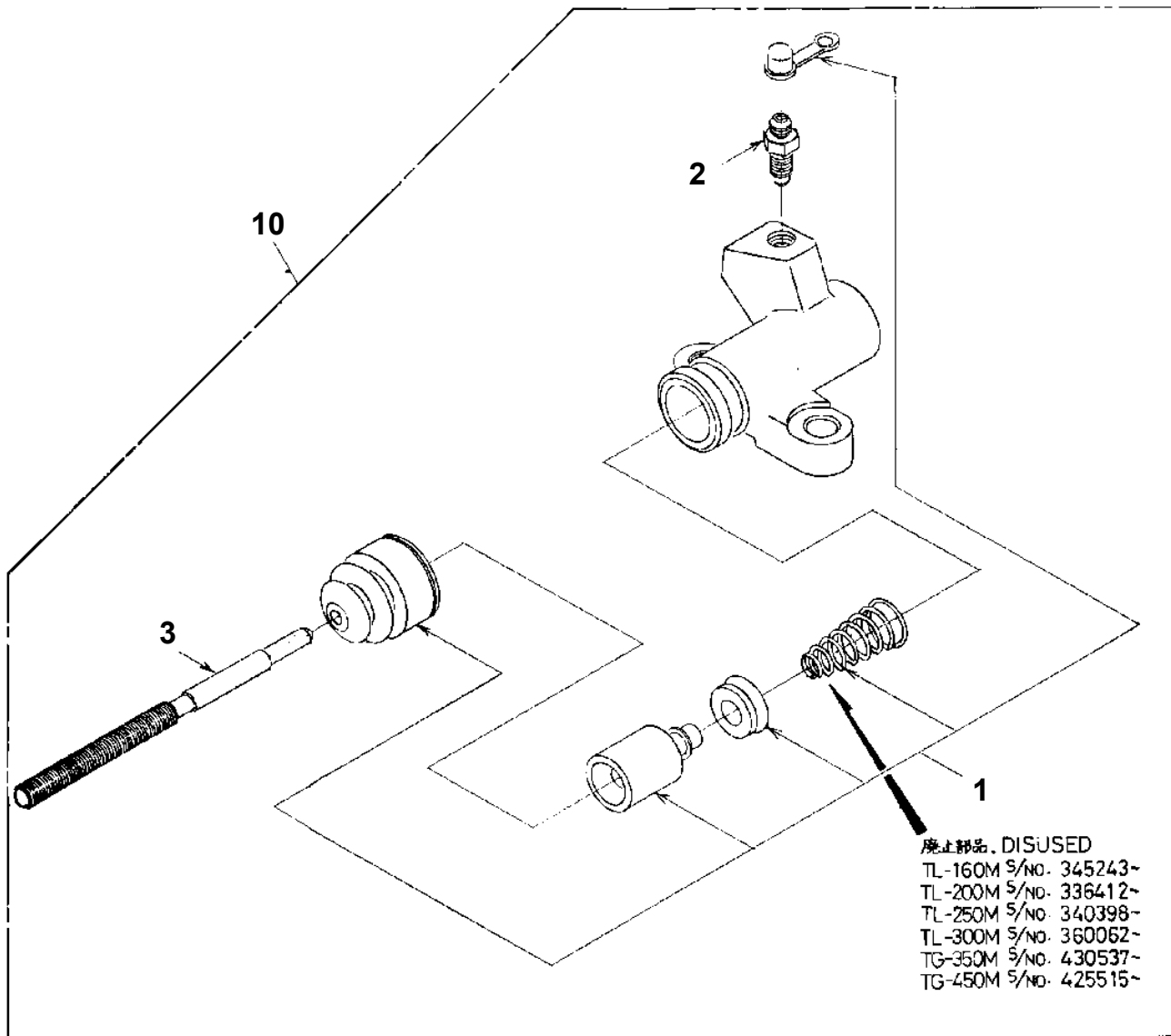
TC-4255-2-00100 FOR OVERSEAS(FOR GT-600EX-1)

Pos No.	Parts No	Parts Name	Qty	Unit	Technical Data	Serial No (Start)	Serial No (End)	Remarks	Pages
1	99707019004	MIRROR GLASS	1						
2	99707019005	COVER	1						
100	99707017655	MIRROR	1						

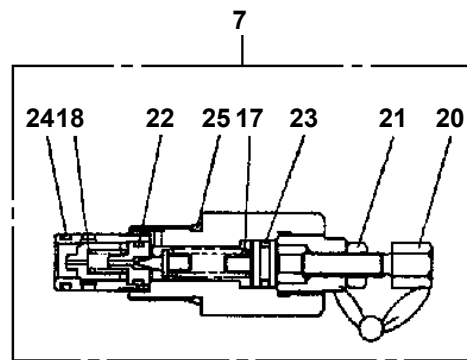
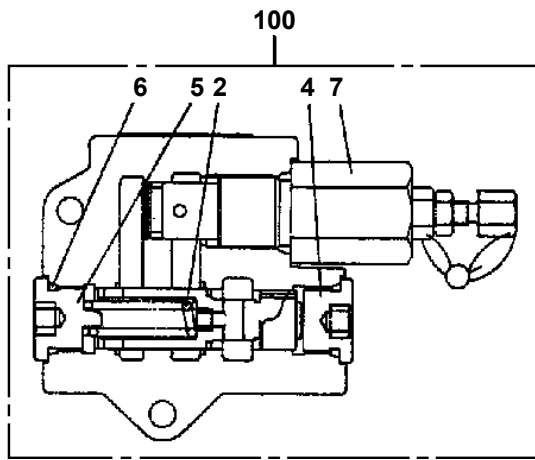
**TC-4255-2-00100 FOR OVERSEAS(FOR GT-600EX-1)
PH5030129-00 HARNESS (FOR AIR CLEANER CLOGGING DETECTOR SW)**



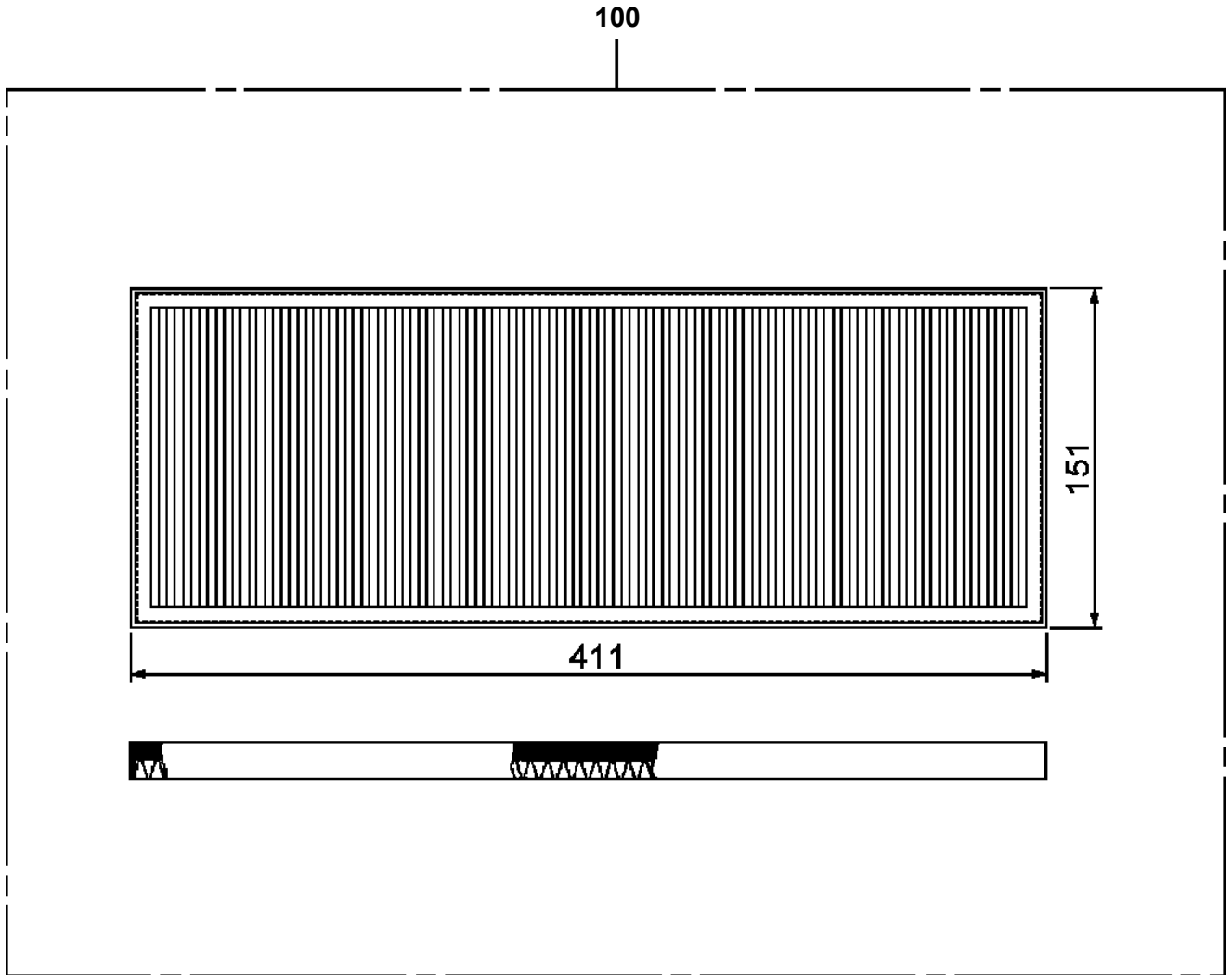
TC-4255-2-00100 FOR OVERSEAS(FOR GT-600EX-1)
PI1030008-01 CYLINDER,MASTER



**TC-4255-2-00100 FOR OVERSEAS(FOR GT-600EX-1)
PI1160002-01 VALVE,FLOW CONTROL**

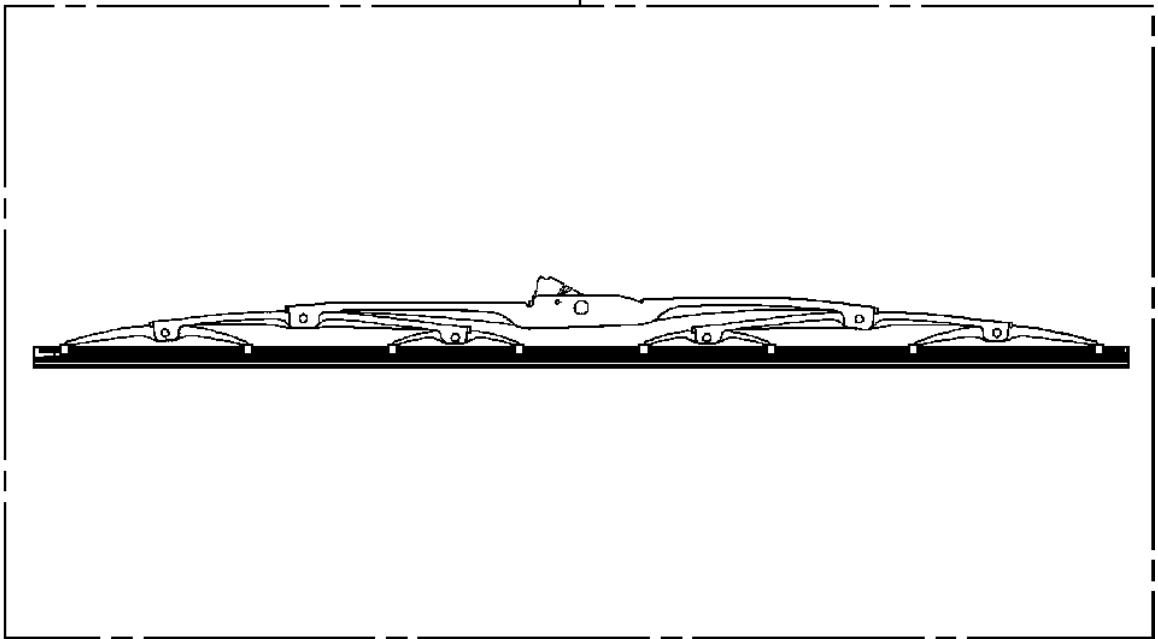


TC-4255-2-00100 FOR OVERSEAS(FOR GT-600EX-1)
PI1300059-00 FILTER

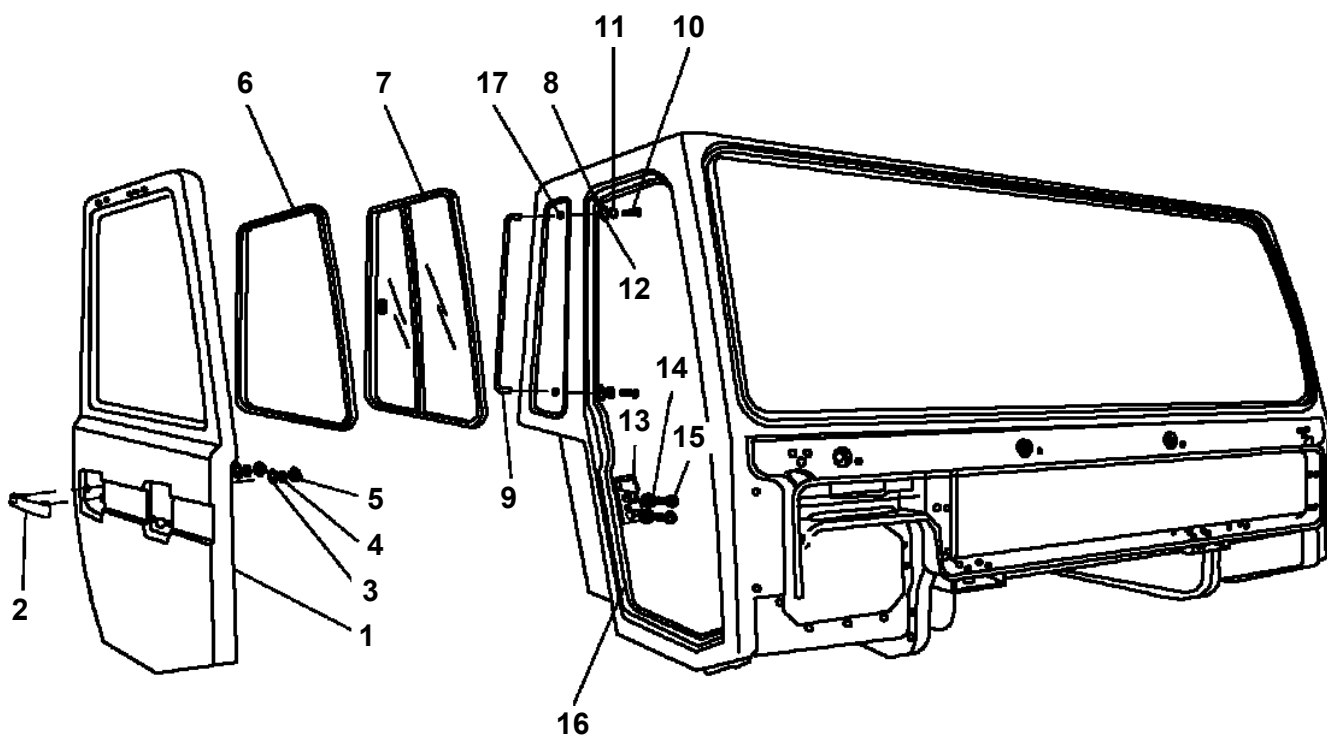


**TC-4255-2-00100 FOR OVERSEAS(FOR GT-600EX-1)
PK1140272-00 CAB,OPERATOR (WIPER BLADE ASSY)**

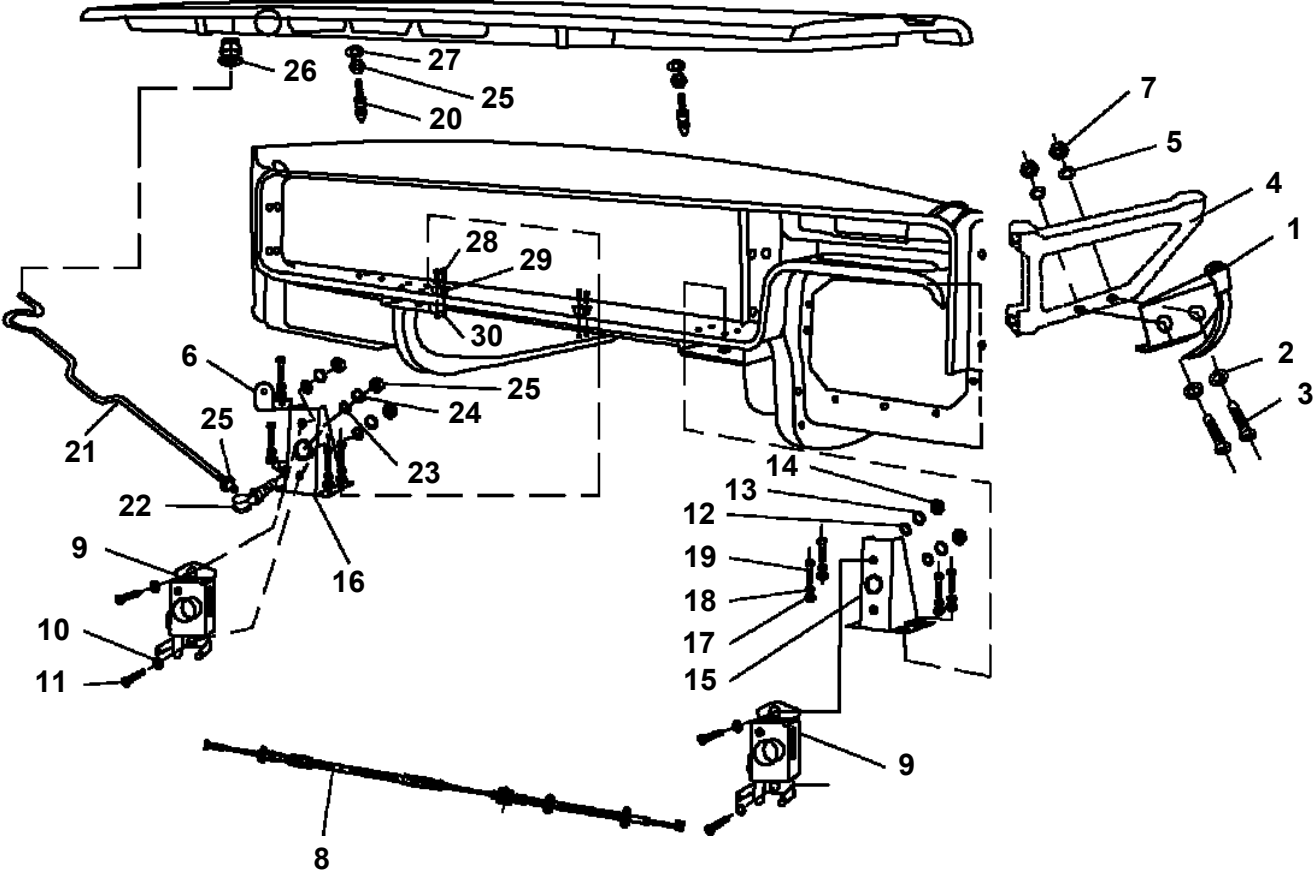
100



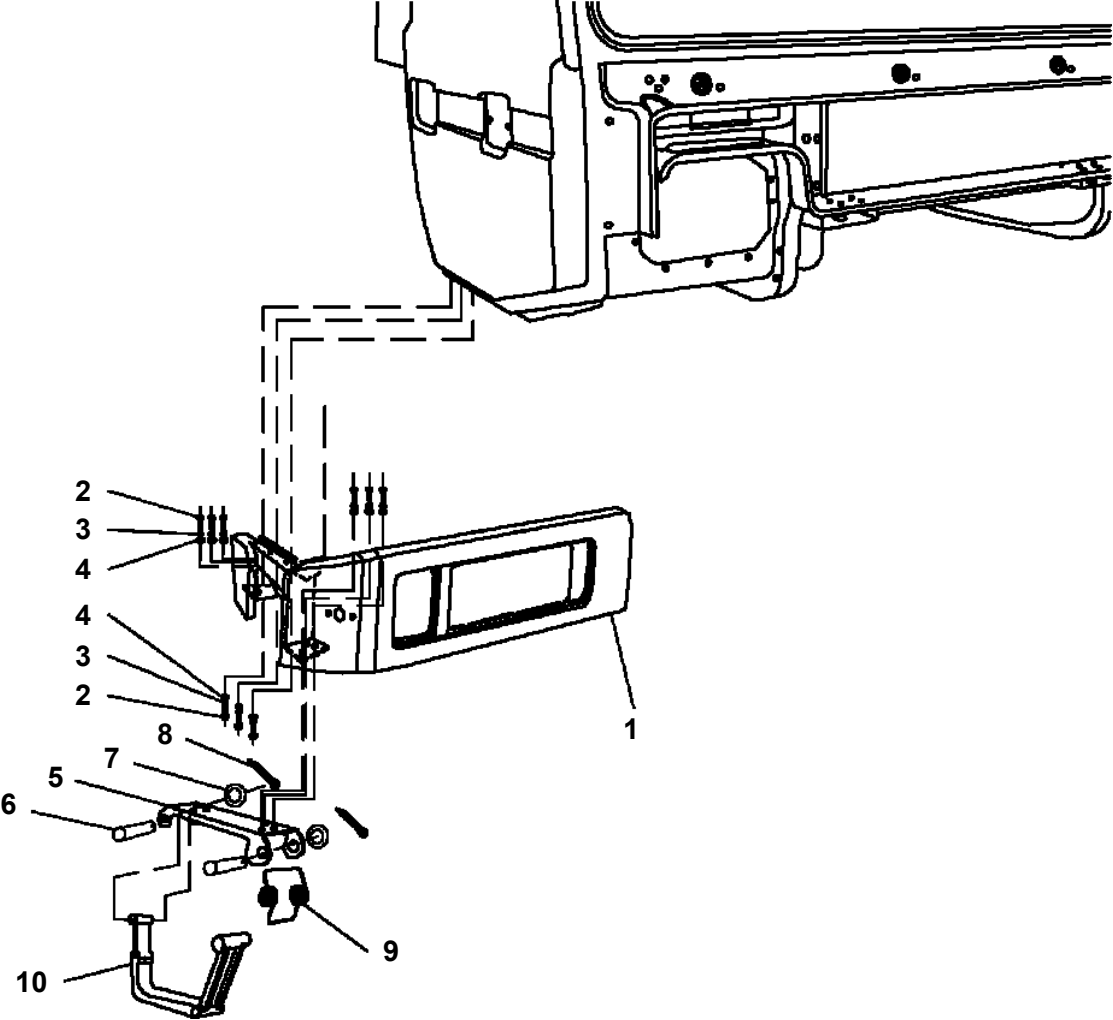
TC-4255-2-00100 FOR OVERSEAS(FOR GT-600EX-1)
PK1140278-01 CAB,OPERATOR (DOOR,RIGHT)



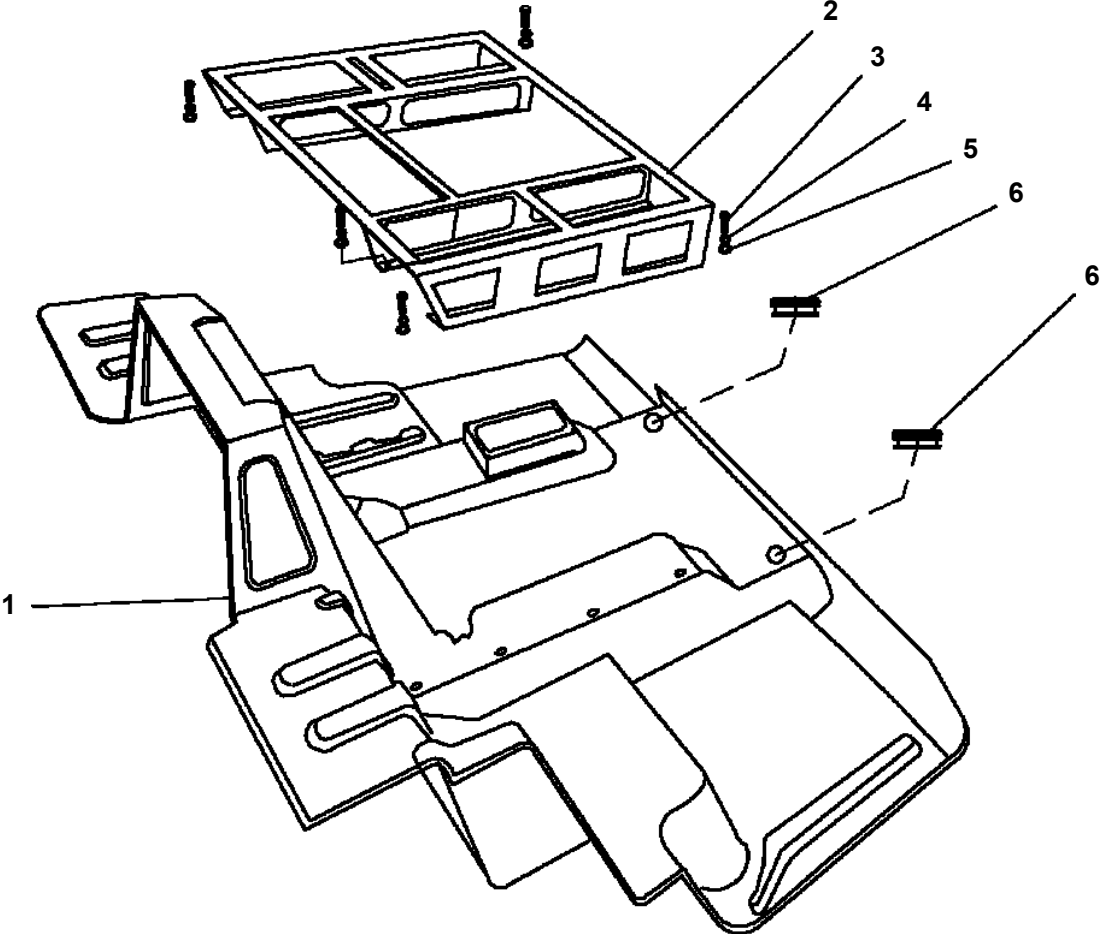
TC-4255-2-00100 FOR OVERSEAS(FOR GT-600EX-1)
PK1140283-01 CAB, OPERATOR (LOCK)



**TC-4255-2-00100 FOR OVERSEAS(FOR GT-600EX-1)
PK1140288-00 CAB,OPERATOR (RIGHT BUMPER & STEP)**

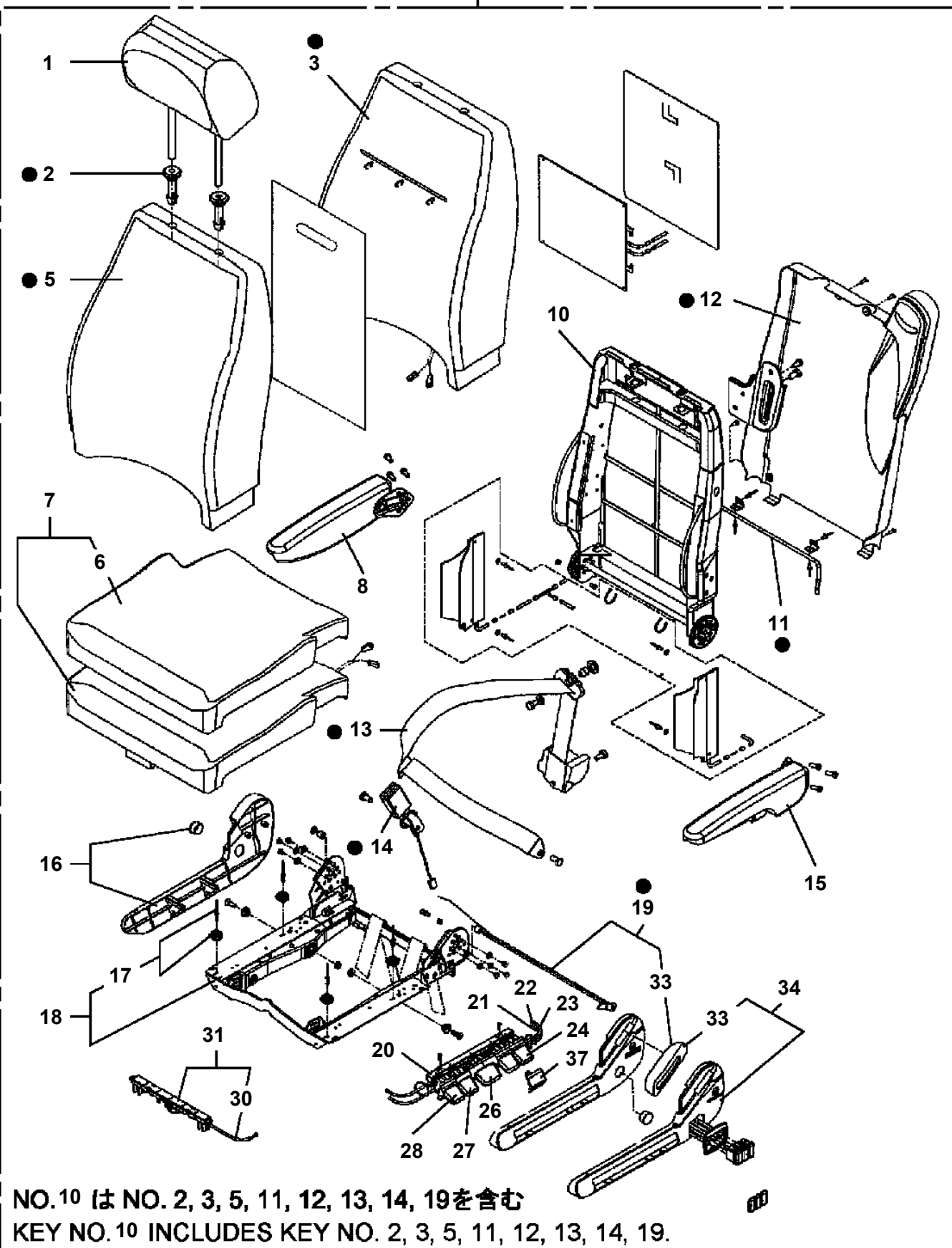


TC-4255-2-00100 FOR OVERSEAS(FOR GT-600EX-1)
PK1140293-00 CAB,OPERATOR (FLOOR)

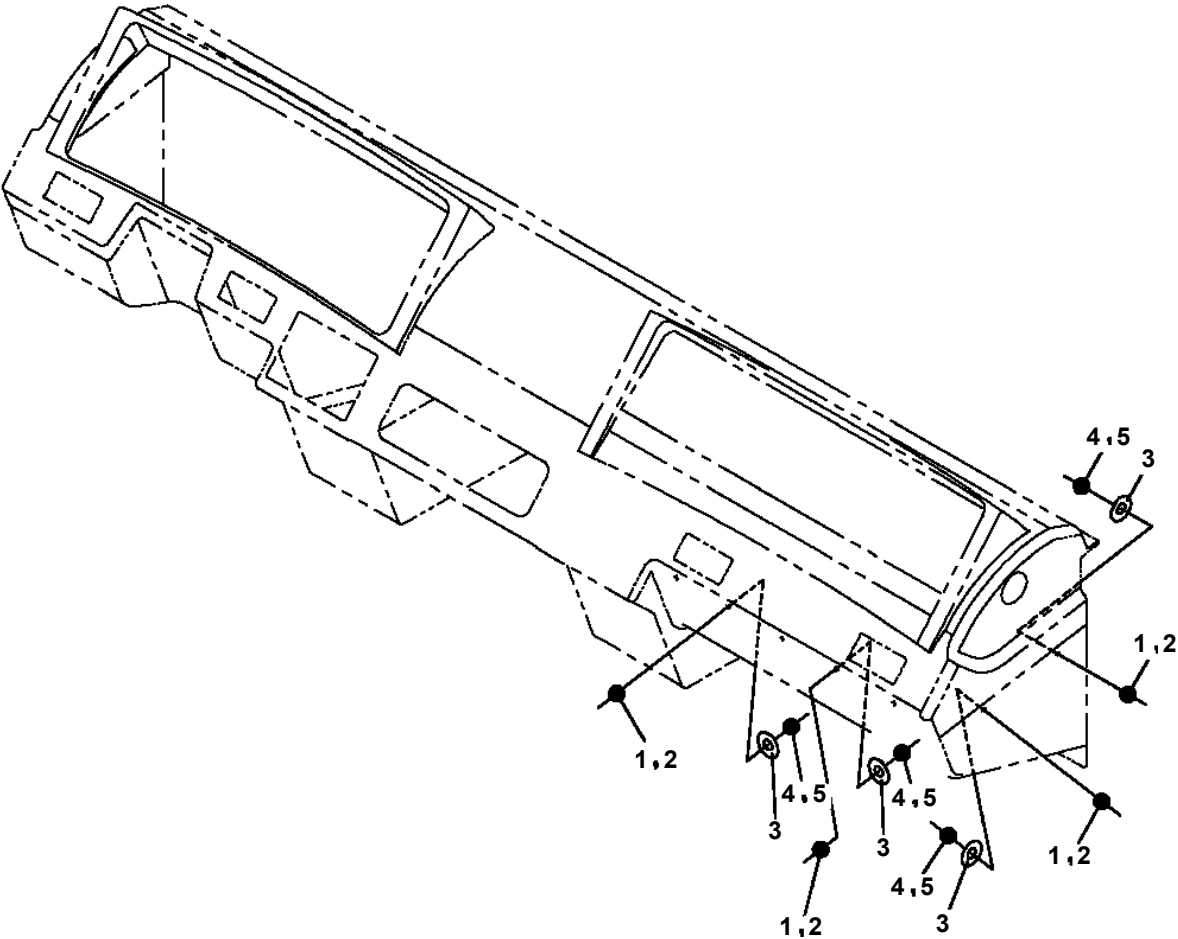


TC-4255-2-00100 FOR OVERSEAS(FOR GT-600EX-1)
 PK1150047-00 SEAT, OPERATOR

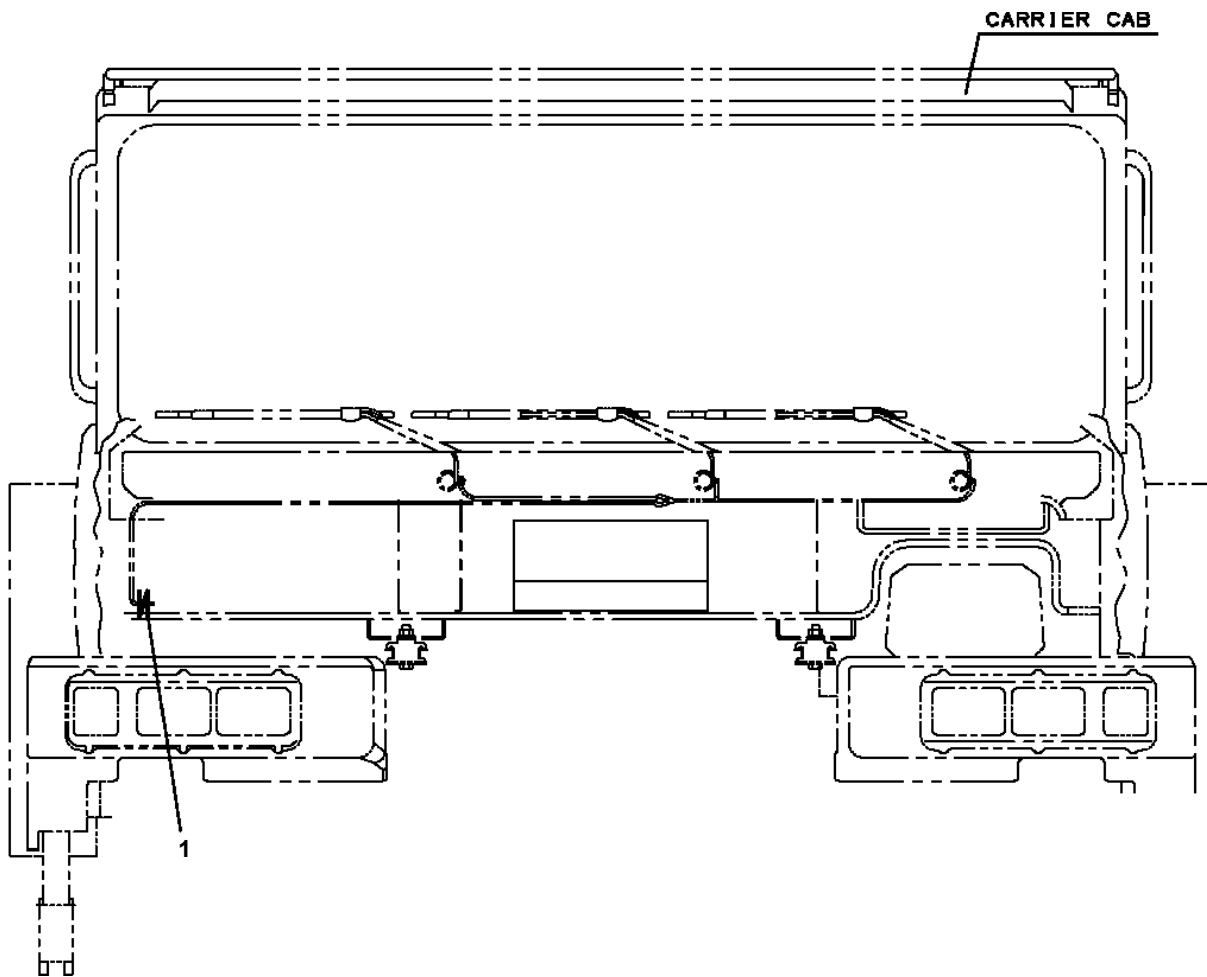
100



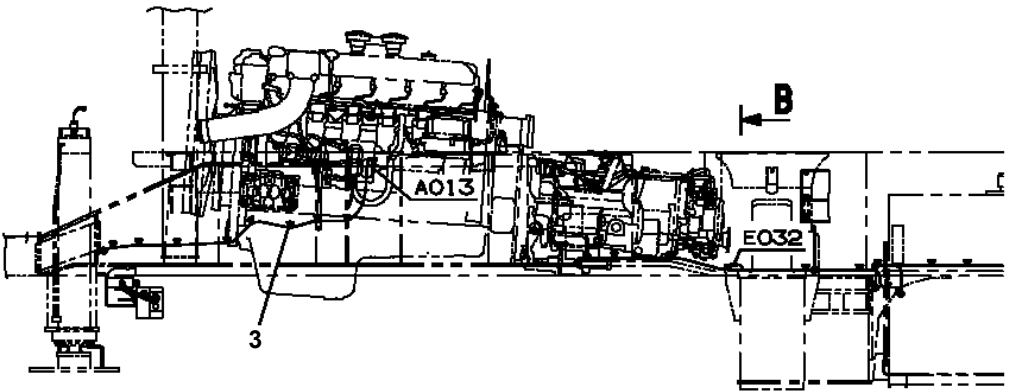
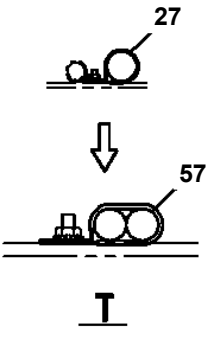
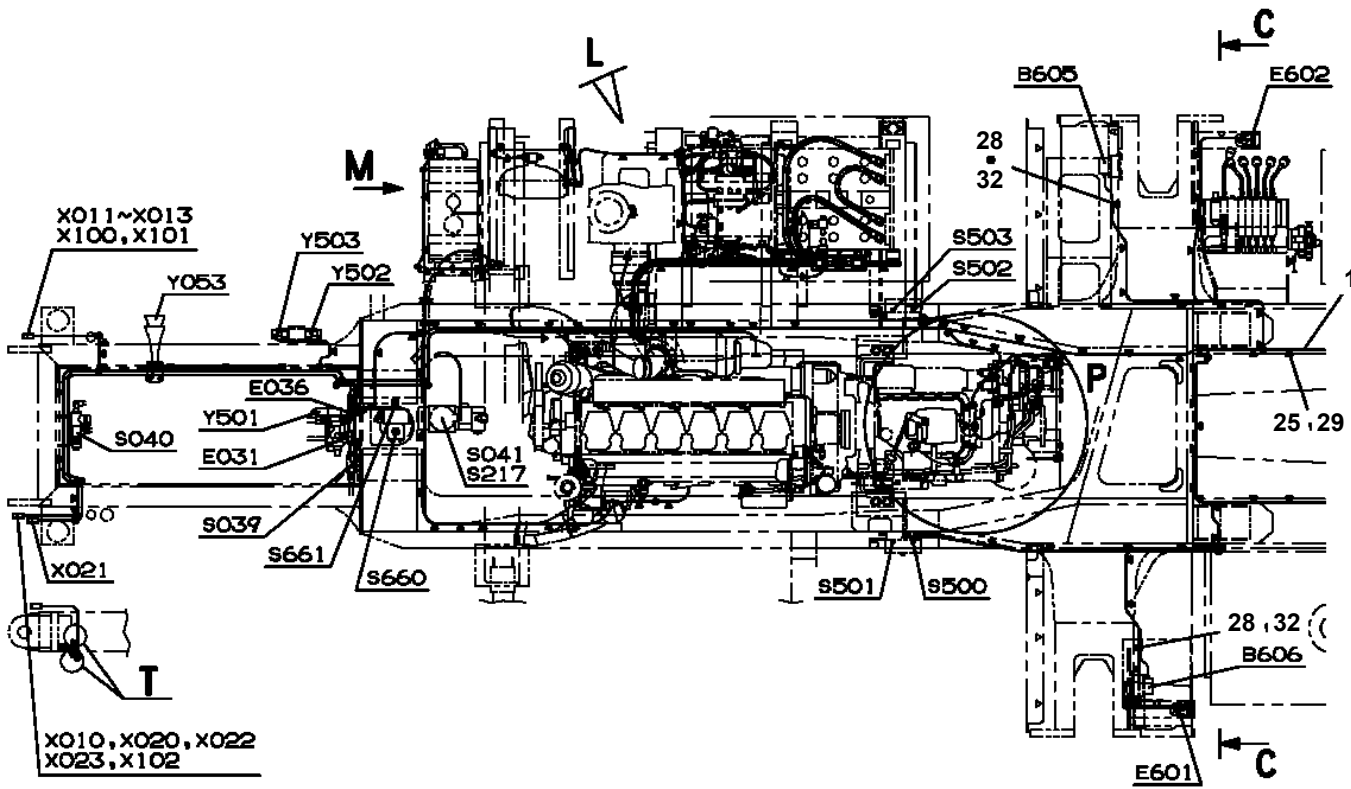
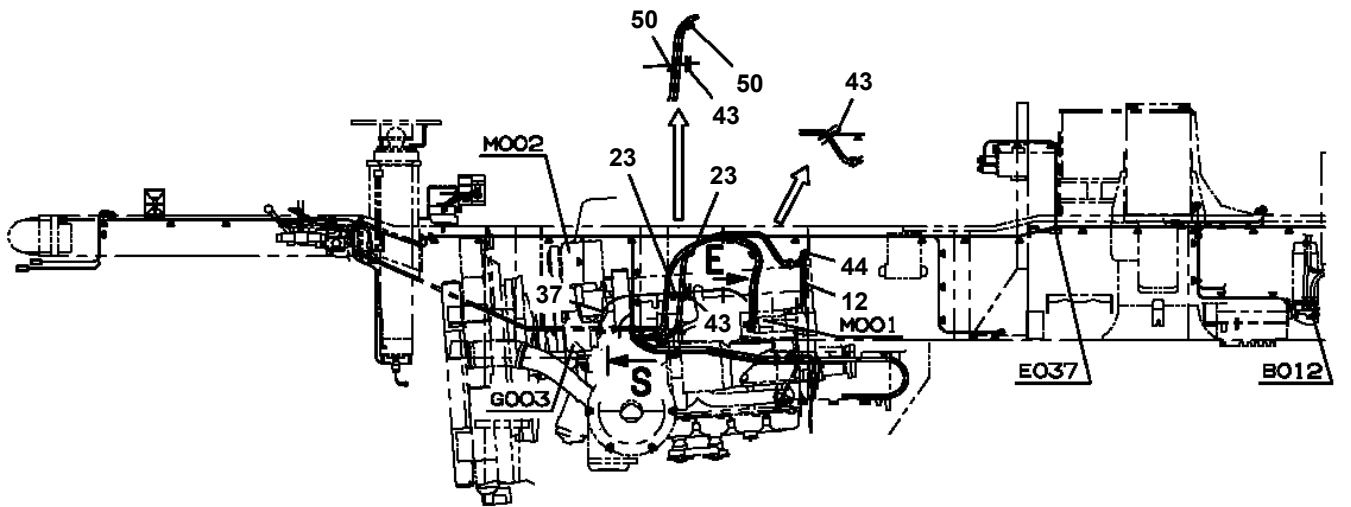
**TC-4255-2-00100 FOR OVERSEAS(FOR GT-600EX-1)
PK1330449-00 COVER (INSTRUMENT PANEL INSTALLATION)**



**TC-4255-2-00100 FOR OVERSEAS(FOR GT-600EX-1)
PM5150007-00 MODIFICATION ASSY (WASHER HOSE)**



TC-4255-2-00100 FOR OVERSEAS(FOR GT-600EX-1)
 PN1014820-06 ELEC.ASSY (CARRIER)

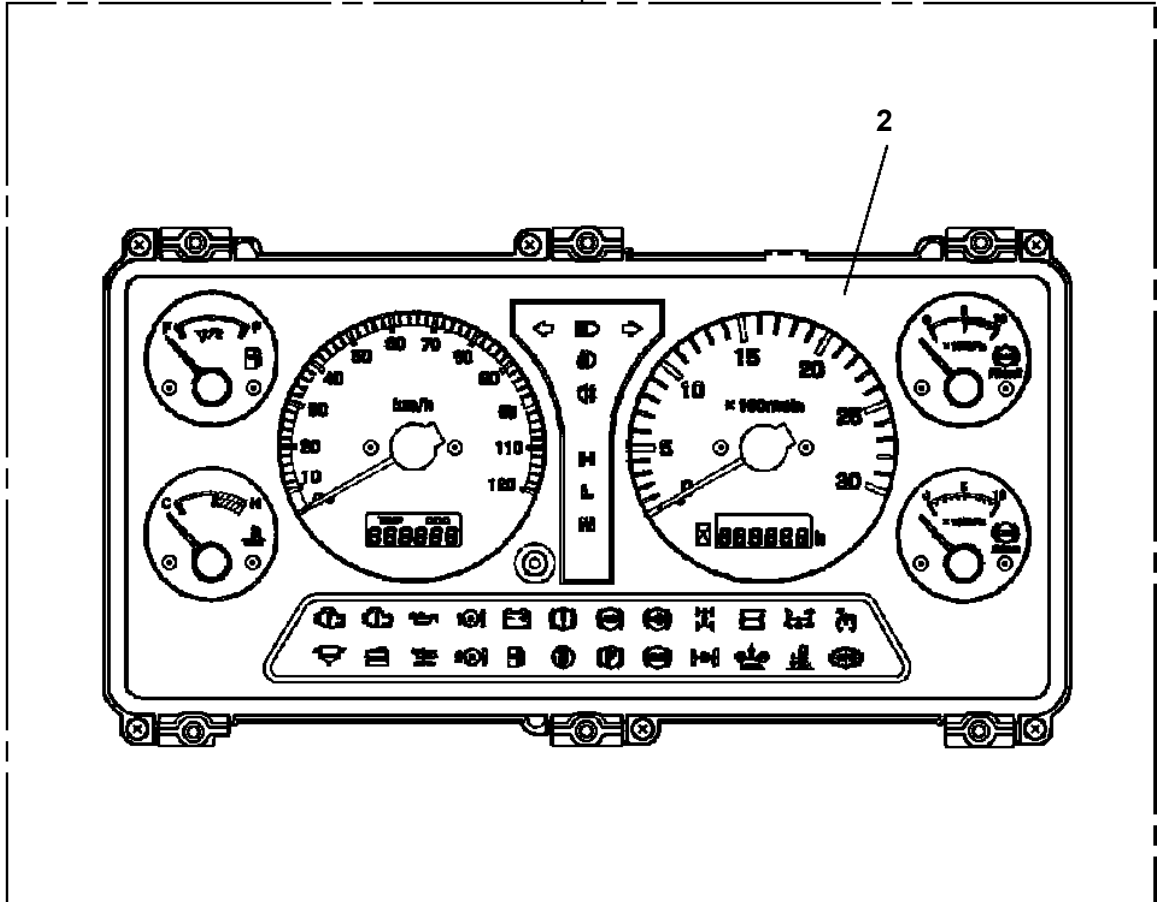


FRONT SIDE

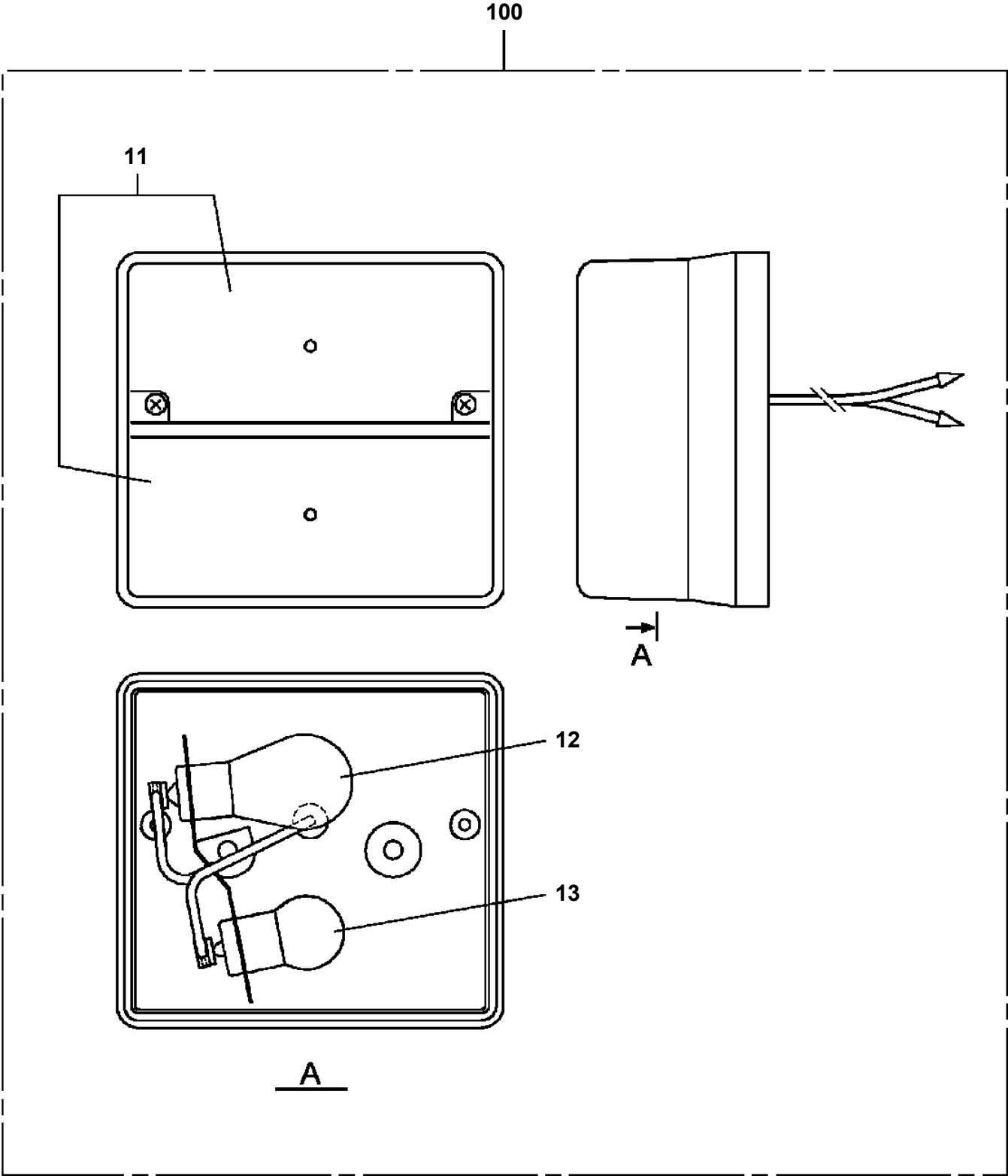
TC-4255-2-00100 FOR OVERSEAS(FOR GT-600EX-1)
PN1040024-00 METER,COMBINATION

100

2

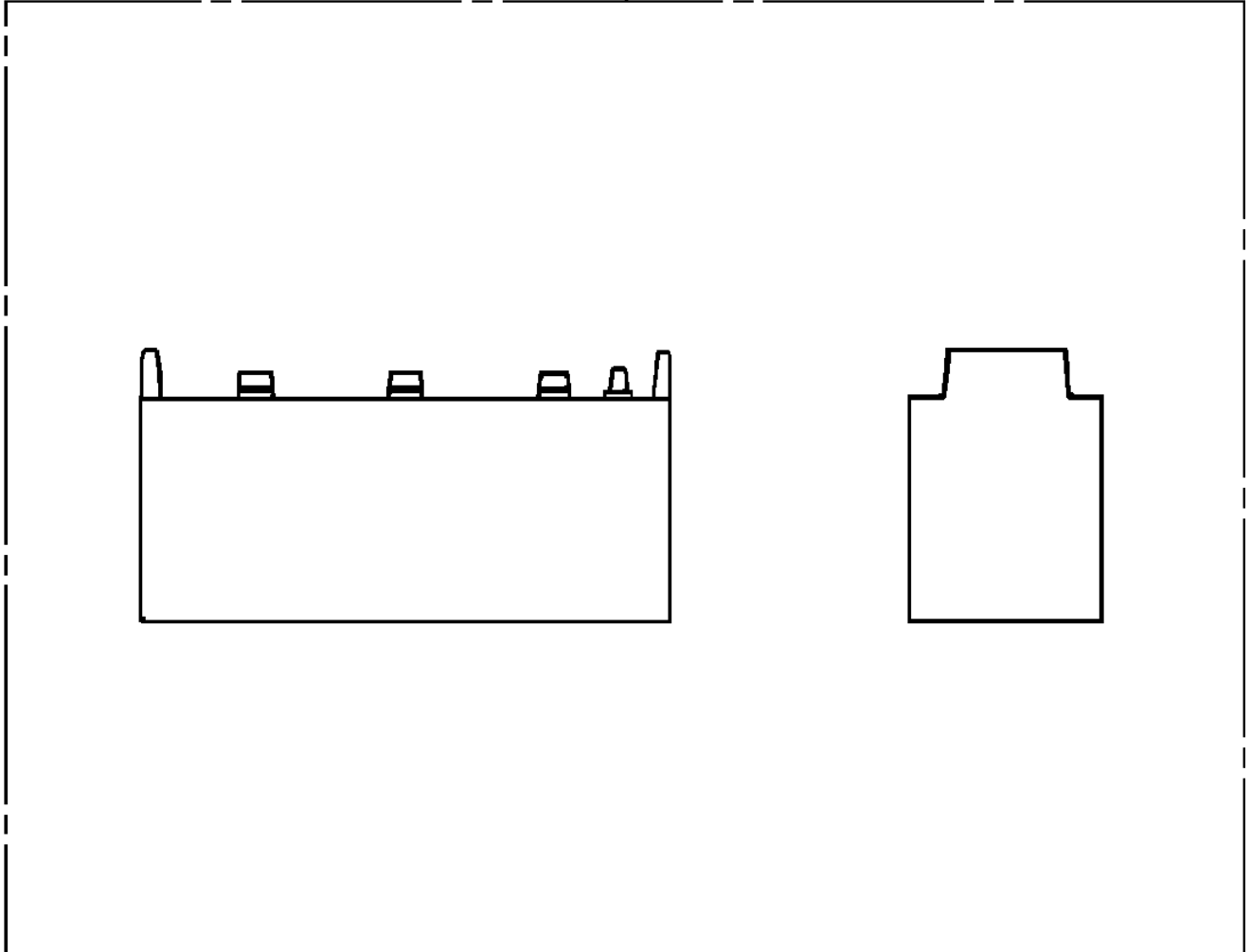


TC-4255-2-00100 FOR OVERSEAS(FOR GT-600EX-1)
PN1080459-00 LAMP (COMBINATION)

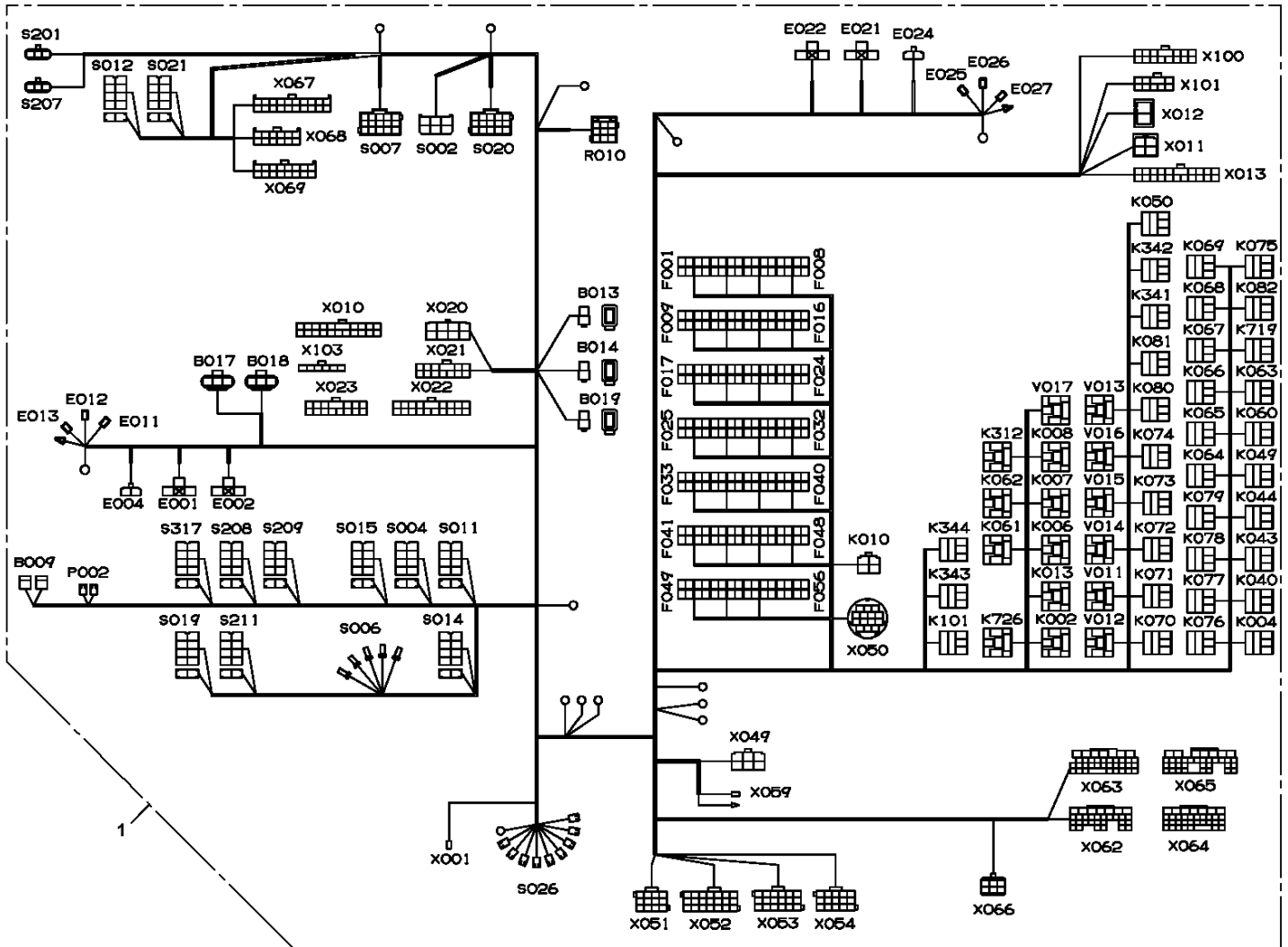


**TC-4255-2-00100 FOR OVERSEAS(FOR GT-600EX-1)
PN1370123-00 BATTERY (YUASA,145F51)**

1



TC-4255-2-00100 FOR OVERSEAS(FOR GT-600EX-1)
PN1450153-00 HARNESS (CAB:MAIN)



TC-4255-2-00100 FOR OVERSEAS(FOR GT-600EX-1)

Pos No.	Parts No	Parts Name	Qty	Unit	Technical Data	Serial No (Start)	Se
1	37002227400	PLATE,NAME (TADANO)	1				
2	34391202130	PLATE,CAUTION (!WARNING RADIATOR)	1				
3	34391202060	PLATE,CAUTION (NO STEP)	3				
4	34392735010	PLATE,CAUTION (DO NOT TOUCH)	1				
5	34391202101	PLATE,CAUTION (FALLING LOAD OR)	4				
6	34391202090	PLATE,CAUTION (!WARNING OUTRIGGER)	4				
7	31491620300	PLATE,CAUTION (OUTRIGGER BEAM LAT)	4				
8	35800132100	PLATE,NAME (OUTRIGGER OPERATION)	1				
9	35800132090	PLATE,NAME (OUTRIGGER OPERATION)	1				
10	34394192040	PLATE,CAUTION (NOTICE HYDRAULIC FLUID)	1				
11	34391202120	PLATE,CAUTION (!WARNING CLIMB UP)	6				
12	35800132010	PLATE,CAUTION (DO NOT LEAVE DOOR OPEN)	2				
13	35800132020	PLATE,NAME (AIR CLEANER)	1				
14	34391202201	PLATE,CAUTION (ROTATING FAN.)	1				
15	35800132030	PLATE,NAME (NOTICE USE EMERGENCY LEVEL)	1				
16	35800132040	PLATE,NAME (NOTICE BEFORE REPLACING)	1				
17	35800132050	PLATE,NAME(LIFTNG OF CRANE FOR SHIPMENT)	1				
18	14137207000	PLATE,NAME (GREASE)	39				
19	35800132060	PLATE,NAME (INSPECTION HOLE)	4				
20	35800132070	PLATE,NAME (INSPECTION HOLE)	4				
21	35800132080	PLATE,NAME (DO NOT LEAVE DOOR OPEN)	1				
30	36350631300	ACCESSORY LIST(PTO INFO KIT)	1				

CLICK HERE TO **DOWNLOAD** THE COMPLETE MANUAL

- Thank you very much for reading the preview of the manual.
- You can download the complete manual from: www.heydownloads.com by clicking the link below

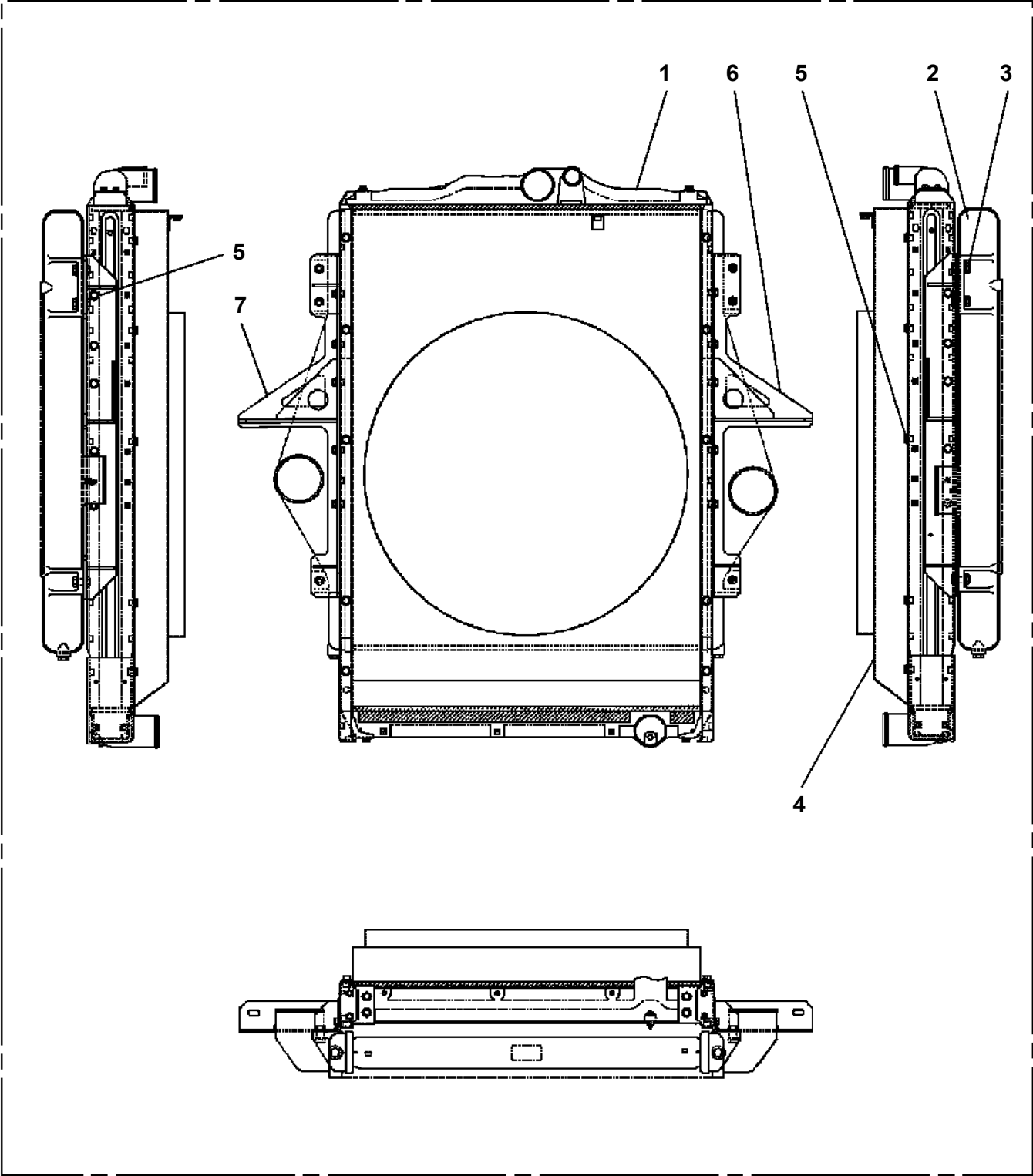


- Please note: If there is no response to CLICKING the link, please download this PDF first and then click on it.

CLICK HERE TO **DOWNLOAD** THE COMPLETE MANUAL

TC-4255-2-00100 FOR OVERSEAS(FOR GT-600EX-1)
PQ1020110-00 RADIATOR

100

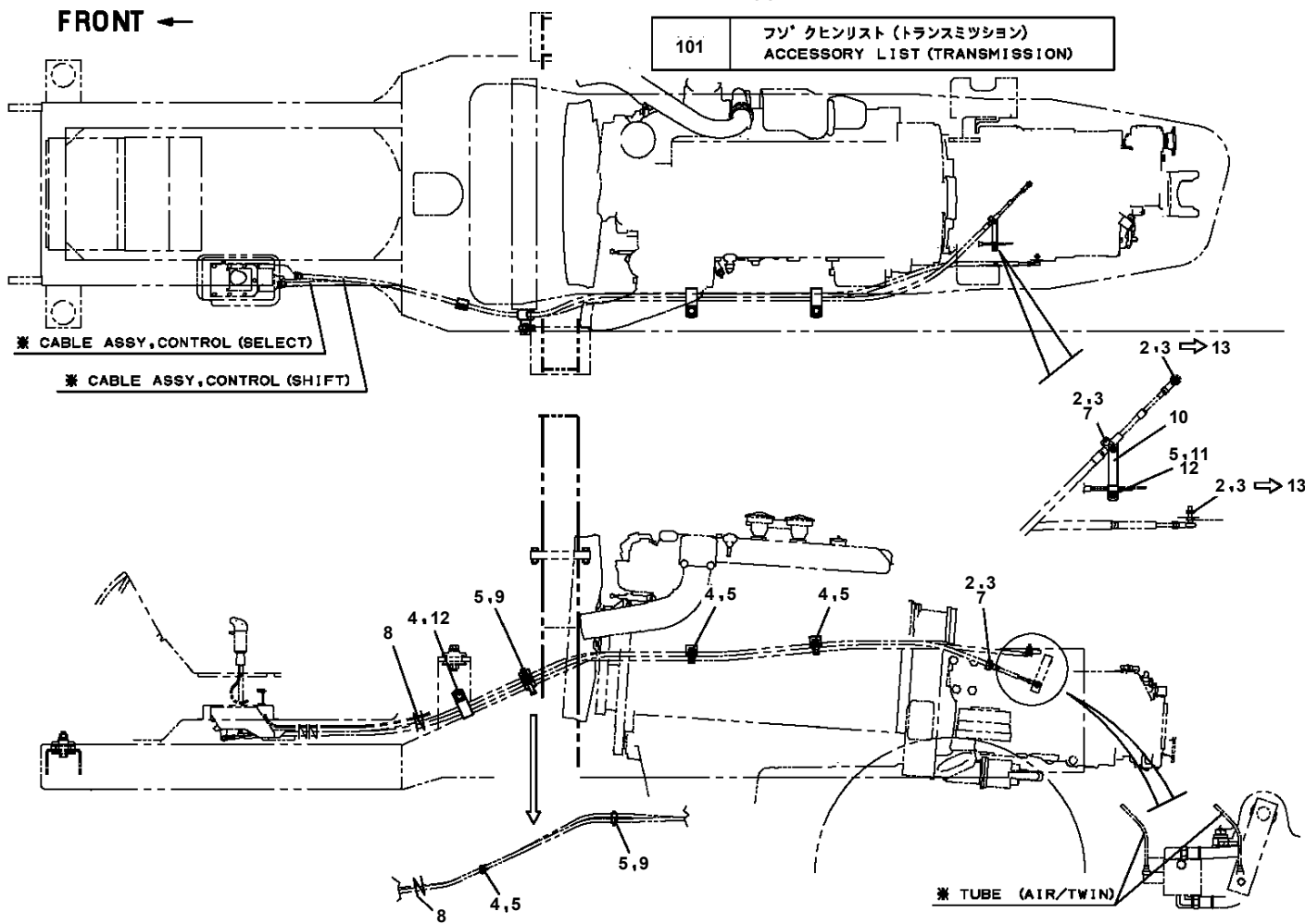


TC-4255-2-00100 FOR OVERSEAS(FOR GT-600EX-1)

Pos No.	Parts No	Parts Name	Qty	Unit	Technical Data	Serial No (Start)	Serial No (End)	Remarks	P
57	36102835010	CAP (FUEL,WITH KEY)	1						
58	36101875030	COVER	1						
59	36101875040	PACKING	1						
61	36101875050	BOLT (WITH WASHER)	5		M5X10				
63	36101875060	STRAINER ASSY	1						
65	90303391601	WASHER	2		M16				
66	36101875070	PLUG	2						
100	36101870000	TANK,FUEL (300L)	1						

TC-4255-2-00100 FOR OVERSEAS(FOR GT-600EX-1)
 PR1010025-04 OPE.ASSY,TRANSMISSION (CARRIER)

※材は〔付属品リスト〕より検索してください。
 FOR THE PART ※,SEE THE CORRESPONDING "ACCESSORY LIST."

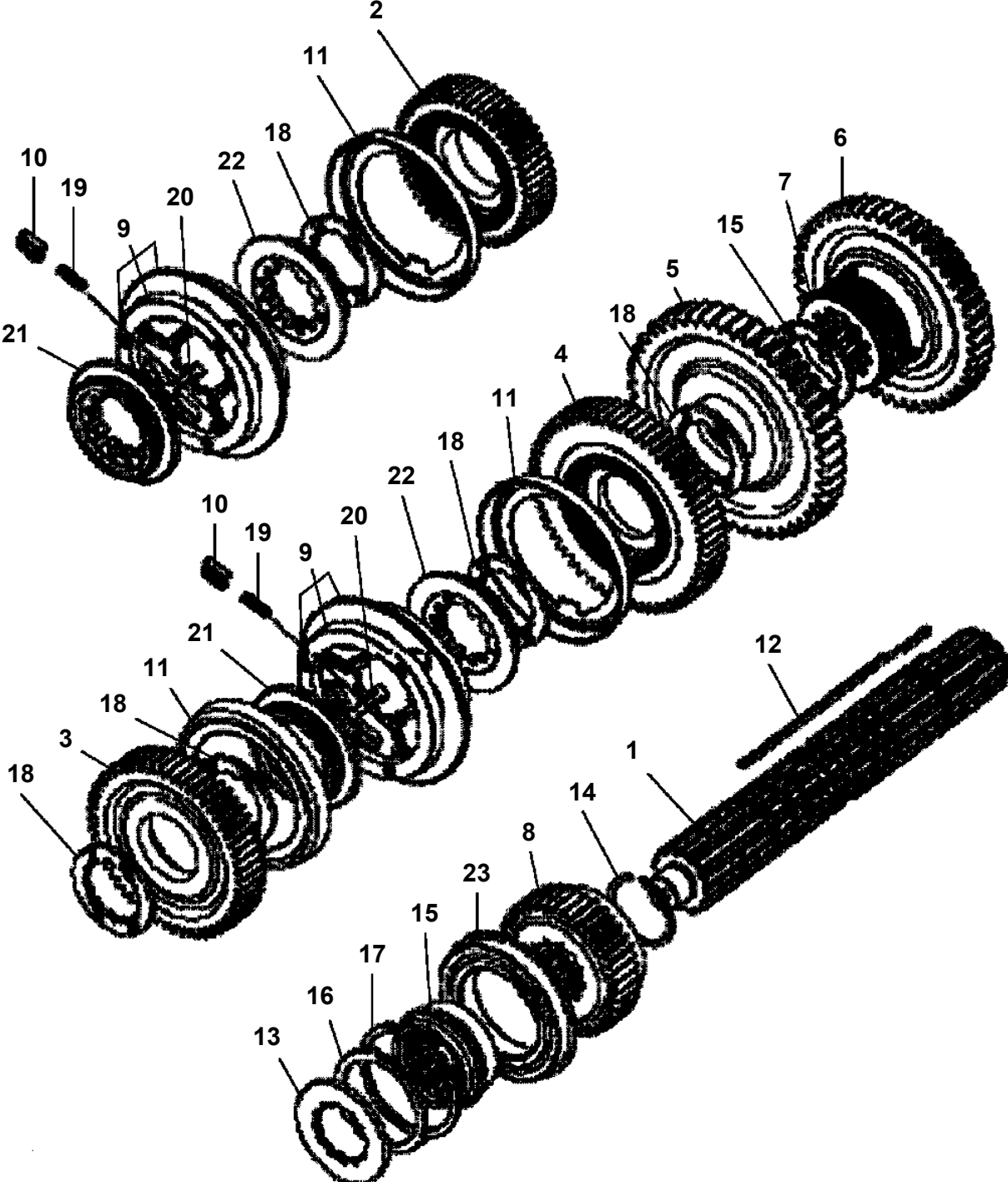


**TC-4255-2-00100 FOR OVERSEAS(FOR GT-600EX-1)
PR1400069-03 TRANSMISSION**

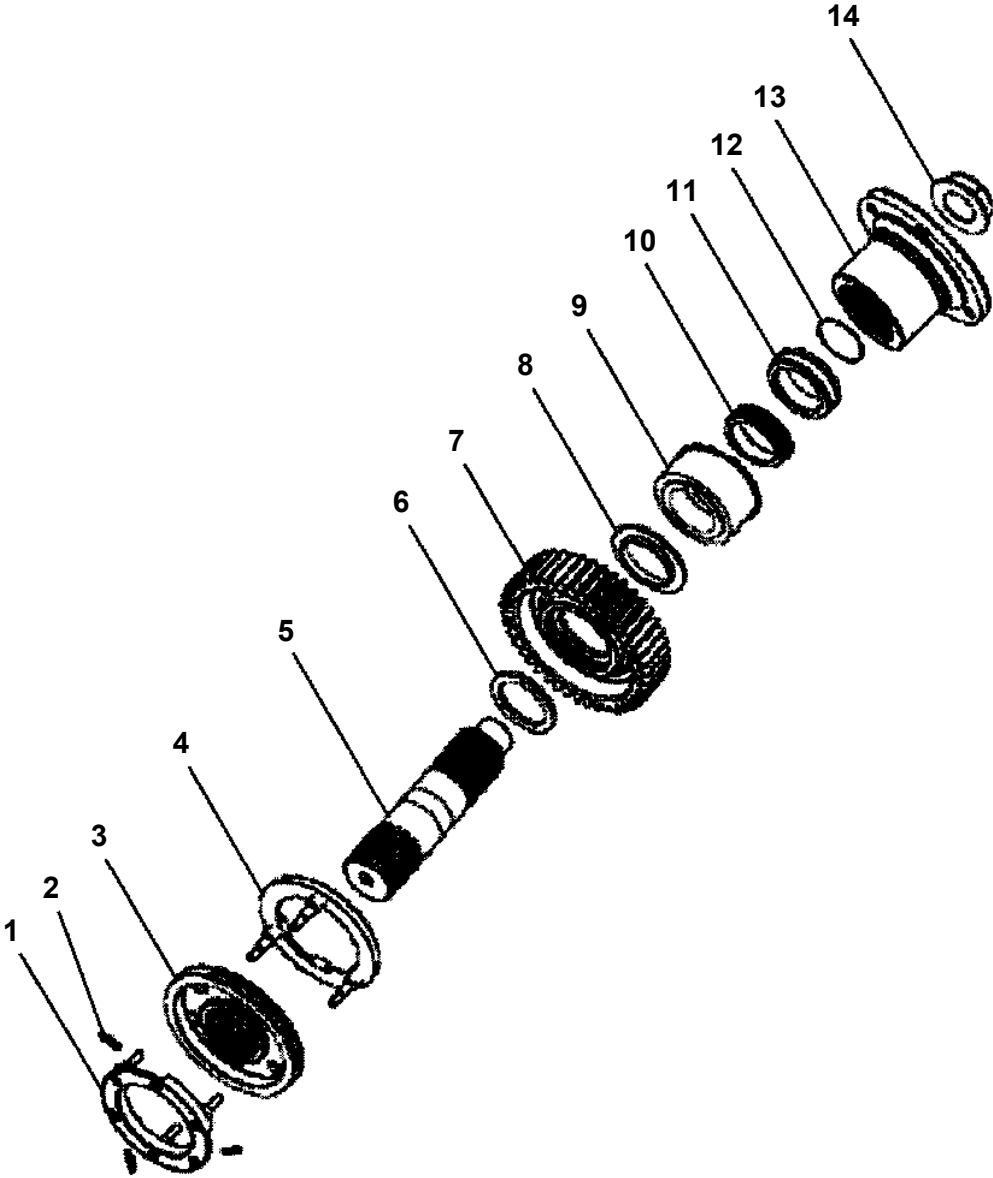
100

指示番号 KEY NO.	トランスミッション TRANSMISSION
2	FILTER REGULATOR& A-5000 VALVE
3	SHIFT BAR HOUSING ASSY
4	CASE (FRONT)
5	CLUTCH HOUSING & RELEASE SYSTEM
6	MAINSHAFT ASSY
7	COUNTERSHAFT ASSY
8	INPUT SHAFT & DRIVE GEAR
9	REVERSE IDLER
10	CASE (AUX)
11	MAINSHAFT & SYNCHRO(AUX)
12	COUNTERSHAFT & BRGS(AUX)
13	RANGE CYLINDER
14	PTO ASSY
15	NEUTRAL INTERLOCK
16	SHIFT CAB UNIT
17	SWITCH (PTO ASSY)
18	SWITCH (NEUTRAL SWITCH, REVERSE SWITCH)

TC-4255-2-00100 FOR OVERSEAS(FOR GT-600EX-1)
PR1400074-00 TRANSMISSION (MAINSHAFT ASSY)

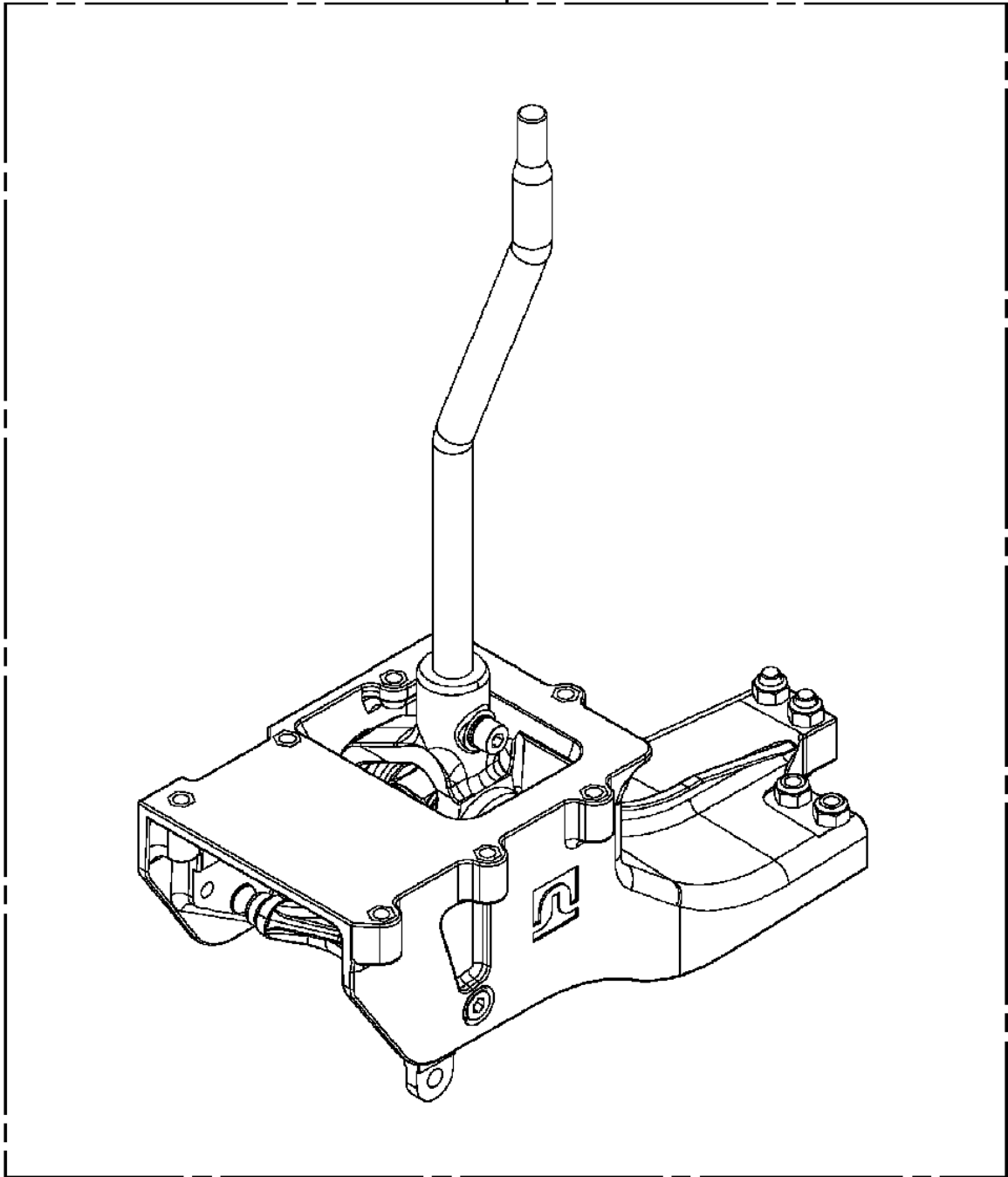


**TC-4255-2-00100 FOR OVERSEAS(FOR GT-600EX-1)
PR1400079-00 TRANSMISSION (MAINSHAFT & SYNCHRO AUX)**



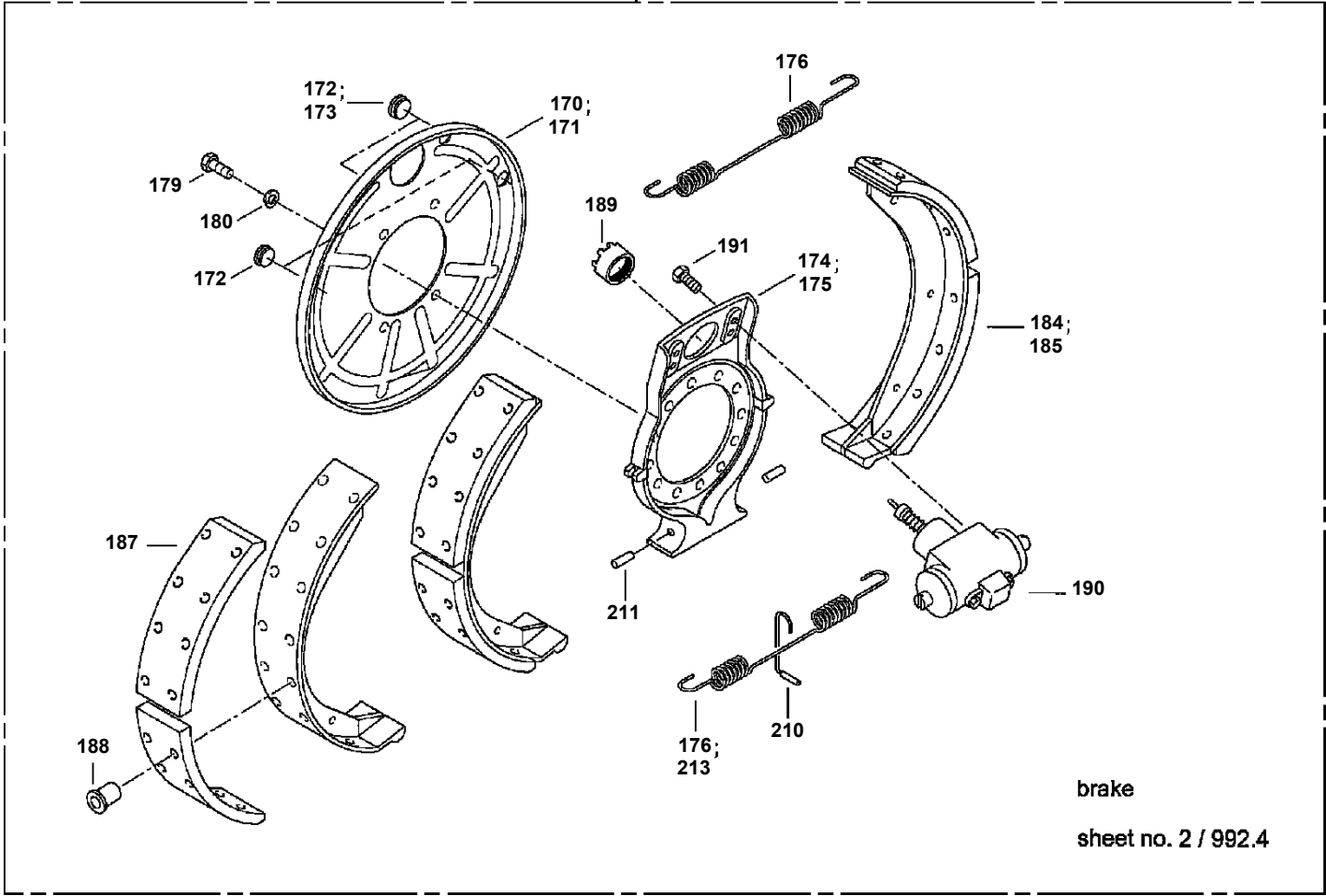
**TC-4255-2-00100 FOR OVERSEAS(FOR GT-600EX-1)
PR1400084-00 TRANSMISSION (SHIFT CAB UNIT)**

10



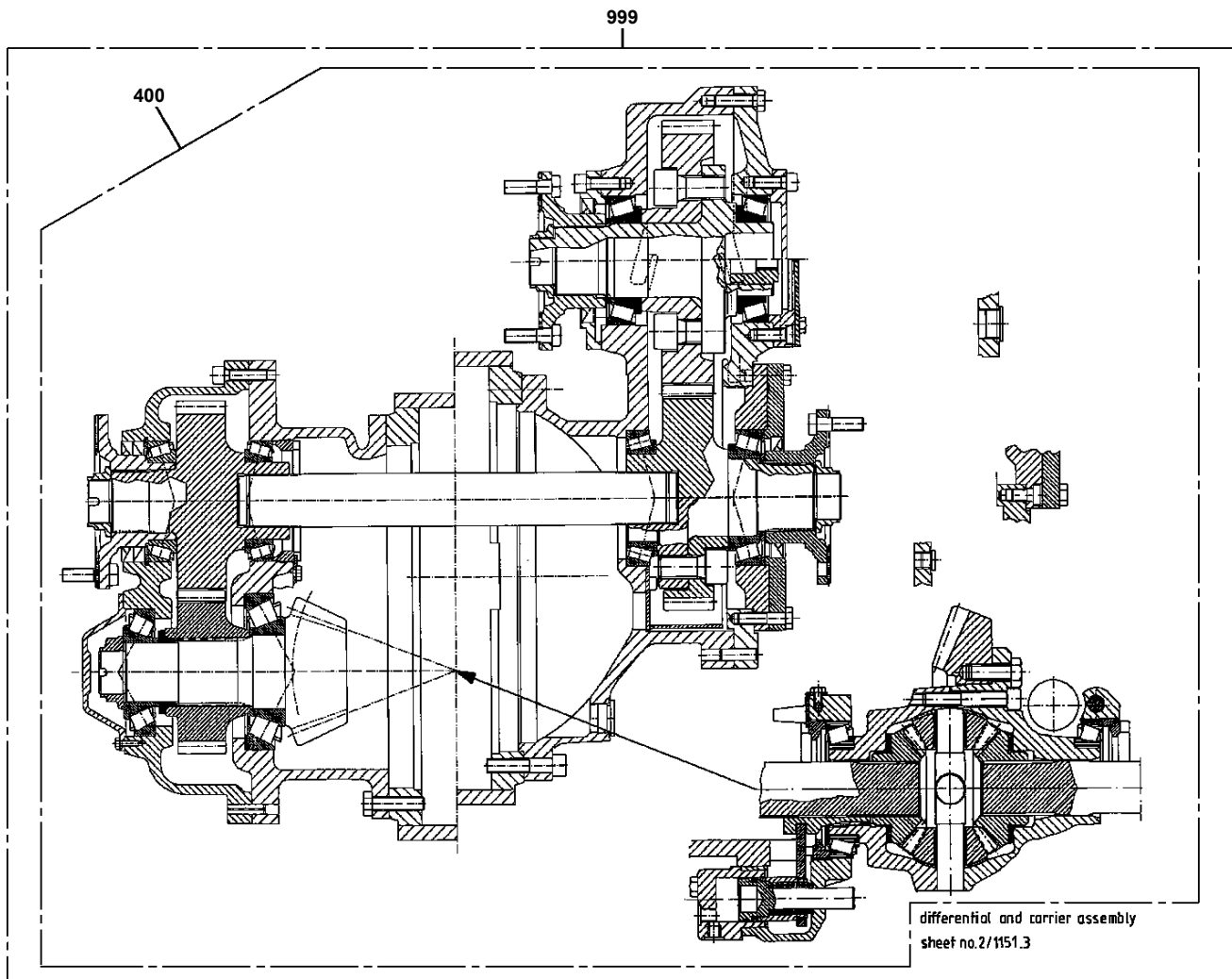
TC-4255-2-00100 FOR OVERSEAS(FOR GT-600EX-1)
PR2010129-00 AXLE

999



brake
sheet no. 2 / 992.4

TC-4255-2-00100 FOR OVERSEAS(FOR GT-600EX-1)
PR2010131-01 AXLE



TC-4255-2-00100 FOR OVERSEAS(FOR GT-600EX-1)

Pos No.	Parts No	Parts Name	Qty	Unit	Technical Data	Serial No (Start)	Serial No (End)	Rem
150	36382045880	HOUSING	1					
151	36382045570	BOLT	20					
152	36382045890	PLUG,SCREW	2					
153	36382045900	RING,SEAL	2					
154	36382045910	COVER	1					
155	36382045920	PIN	3					
156	36382045930	BOLT	17					
157	36382045940	BOLT	6					
158	36382045950	SLING (OIL)	1					
159	36382045960	BOLT,HEXAGON SOCKET	4					
160	36382045970	COVER	1					
161	36382045980	BOLT	7					
162	36382045990	O-RING	1					
163	36382046000	FLANGE	1					
164	36382046010	COVER	1					
165	36382046020	BOLT,HEXAGON SOCKET	6					
166	36382045620	SEAL,RING	1					
167	36382045620	SEAL,RING	1					
168	36382046030	COVER	1					
169	36382046040	BOLT,HEXAGON SOCKET	6					
170	36382046050	GEAR,WHEEL	1					
171	36382046060	GEAR,WHEEL	1					
172	36382046070	SHAFT	1					
173	36382046080	BOLT,HEXAGON SOCKET	10					
174	36382046090	BEARING,TAPER ROLLER	1					
175	36382046100	BEARING,TAPER ROLLER	1					
176	36382046110	DISK	1					
177	36382046120	RING	1					
178	36382046130	BEARING,TAPER ROLLER	1					
179	36382046130	BEARING,TAPER ROLLER	1					
180	36382046150	DISK	1					
181	36382046160	RING	1					
182	36382046170	FLANGE	1					
183	36382046170	FLANGE	1					
184	36382046190	NUT (ADJUST)	1					
185	36382046190	NUT (ADJUST)	1					
186	36382046210	BOLT	4					
187	36382046210	BOLT	4					
188	36382046230	BOLT,HEXAGON SOCKET	4					
189	36382046240	SHAFT	1					
190	36382046080	BOLT,HEXAGON SOCKET	10					
191	36382046250	SHAFT	1					
192	36382045030	PLUG	1					
193	36382045040	RING,SEAL	1					
405	36382045410	SPIDER	1					
406	36382045420	GEAR,DIFFERENTIAL	2					
408	36382045430	PINION (DIFFERENTIAL)	4					
409	36382045440	DISK	2					
411	36382045450	WASHER,THRUST	4					
412	36382045460	BUSH (BEARING)	4					
413	36382045470	BOLT,HEXAGON SOCKET	12					
414	36382045480	BOLT	16					
415	36382045490	BEARING,TAPER ROLLER	1					
416	36382045500	BEARING,TAPER ROLLER	1					
417	36382045510	DIFFERENTIAL CARRIER,AXLE	1					
418	36382045520	BOLT	4					
419	36382045530	RING	2					
421	36382045540	PLATE (LOCK)	2					
422	36382045550	BOLT	2					
423	36382045560	BOLT,HEXAGON SOCKET	17					
424	36382045570	BOLT	1					
425	36382045470	BOLT,HEXAGON SOCKET	2					
432	36382045580	BEARING,TAPER ROLLER	1					

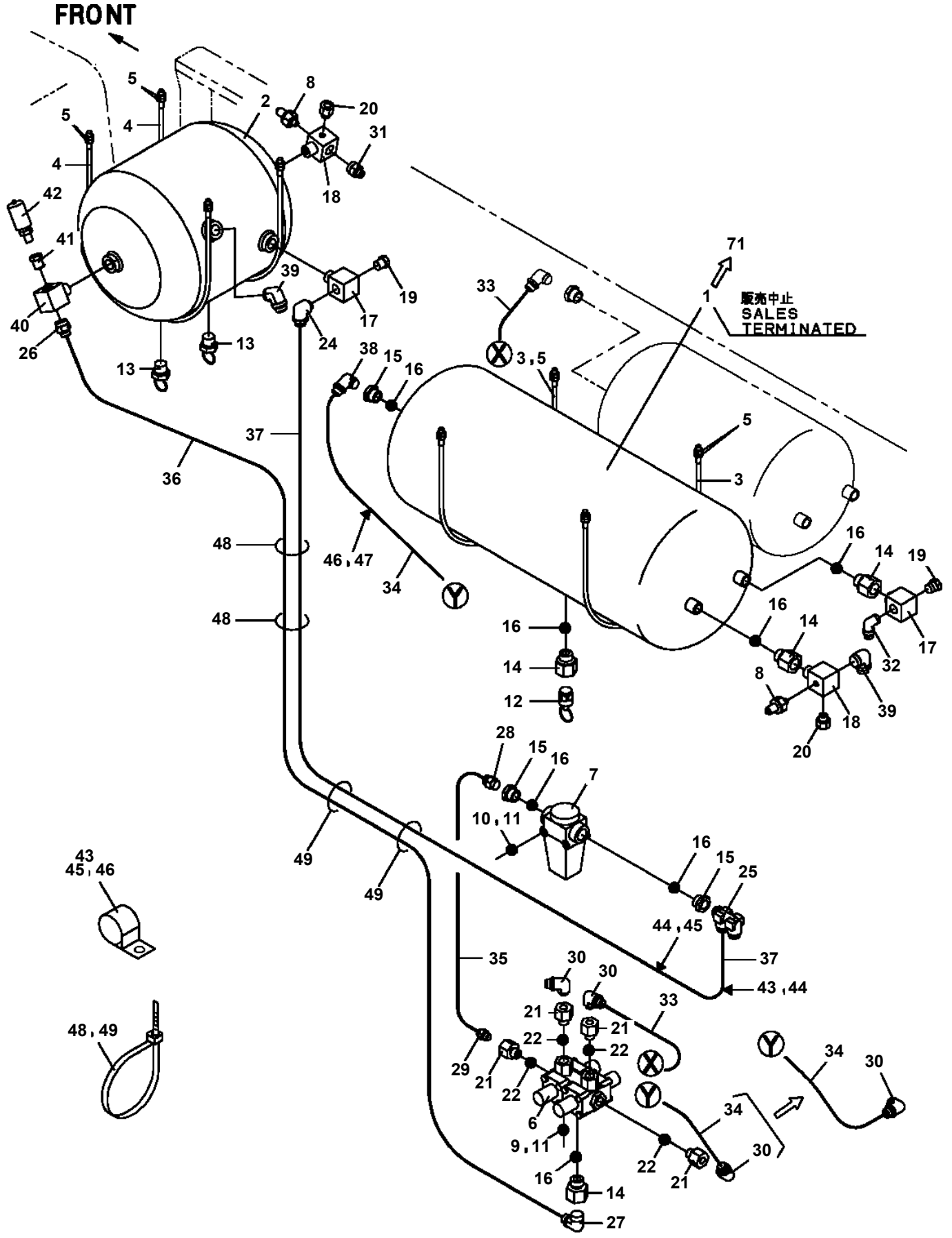
TC-4255-2-00100 FOR OVERSEAS(FOR GT-600EX-1)

Pos No.	Parts No	Parts Name	Qty	Unit	Technical Data	Serial No (Start)	Serial No (End)	Remark
2	90171108025	BOLT	4		M8X25			
3	90303070801	WASHER,PLAIN	4		8			
4	90302040801	WASHER,SPRING	4		8			
5	90171106025	BOLT	5		M6X25			
6	90303070601	WASHER,PLAIN	5		6			
7	82100000950	GROMMET	1					
8	35450138010	TUBE ASSY	1					
9	82100002002	CLAMP	1		WR6			
11	90280200600	NUT,FLANGE	1		M6			
12	80353070616	JOINT	1					
13	90304111601	WASHER,TOOTH	1		16			
14	90211201600	NUT	1		M16			
41	99707006638	SEALING BAND	1	M				
42	99707008315	STEERING COLUMN	1					
43	99707008487	CAP	1					
44	99707008316	IGNITION SWITCH	1					
45	99707006247	SCREW	2					
46	99707008317	SWITCH	1					
47	99707006142	SCREW	6					
48	99707008419	COVER	1					
49	99707008318	COVERING	1					
50	99707008321	CUP	1					
51	99707006252	SCREW	2				DC0513	
	99707033807	SCREW,MACHINE	2			DC0514		
52	99707014865	FILLISTER HEAD SCREW	1		M5X45			
53	99707008319	STEERING WHEEL	1				DC0681	
	99707062063	STEERING WHEEL	1			DC0682		
54	99707006254	NUT	1					
56	99707008320	COVER	1					
58	99707787577	SHAFT,STEERING	1				DC0661	
	99707040641	SHAFT (STEERRING)	1			DC0662		
59	99707762513	FIT BOLT	1		M8X42			
60	99708475947	LOCK NUT	1		M8			
61	80172305020	SCREW,MACHINE	3		M5X20			
62	37000526010	PLATE	6					
63	90302040501	WASHER,SPRING	3		5			
64	90201200500	NUT	3		M5			
65	99707011451	SWITCH ASSY	1					
66	99707778984	LOCK ZYLINDER (KEY SET)	1					
67	99707062064	CAP	1			DC0682		
68	35450131100	PLATE	5			DC0804		

TC-4255-2-00100 FOR OVERSEAS(FOR GT-600EX-1)

Pos No.	Parts No	Parts Name	Qty	Unit	Technical Data	Serial No (Start)	Serial No (End)	Remarks	Pa
1	36063052100	CYLINDER	1						
2	80136340045	PIN,SPLIT	1		4X45				
3	90236202000	NUT,CASTLE	1		M20				
4	36062712000	PISTON	1						
5	91302206000	BEARING,PLAIN	2						
6	91684006000	PACKING	2						
7	91411205001	RING,BACKUP	2						
8	91002803000	O-RING	1		1B P30				
9	36063052200	ROD	1						
10	36062714000	COVER,ROD	1						
11	91002805001	O-RING	1		1B P50A				
12	91301103000	BEARING,PLAIN	1						
13	91251100300	RING,DAMPER	1						
14	91694003000	PACKING	1						
15	91410203001	RING,BACKUP	1						
16	91660003000	SEAL,DUST	1						
17	80622000300	RING,RITAINING	1		SP30				
18	36063052300	BOOT	1						
19	91803600350	CLIP	1		D=25-35				
20	91803600900	CLIP	1		D=70-90				
40	36062719900	PACKING SET	1		30X60				
100	36063052000	CYLINDER,STEERING	1						

**TC-4255-2-00100 FOR OVERSEAS(FOR GT-600EX-1)
PT1200137-01 PIPING,BRAKE (INSIDE AIR COVER)**



TC-4255-2-00100 FOR OVERSEAS(FOR GT-600EX-1)

Pos No.	Parts No	Parts Name	Qty	Unit	Technical Data	Serial No (Start)	Serial No
109	35770298650	TUBE ASSY	1				
110	90201200800	NUT	25		M8		
111	90302041201	WASHER,SPRING	3		12		
112	90103212025	BOLT	3		M12X1.25X25		
113	90302040801	WASHER,SPRING	15		8		
114	90280200800	NUT,FLANGE	56		M8		DC0628
	90280200800	NUT,FLANGE	63		M8	DC0629	
115	90280200600	NUT,FLANGE	24		M6		DC0628
	90280200600	NUT,FLANGE	19		M6	DC0629	
116	37000711010	CLAMP ASSY	1		18X1		
117	90103216030	BOLT	2		M16X30		
118	90302041601	WASHER,SPRING	2		16		
119	90303071601	WASHER,PLAIN	2		16		
120	90101208020	BOLT	2		M8X20		
121	90101208030	BOLT	4		M8X30		
122	90186208020	BOLT,FLANGE	10		M8X20		DC0659
	90186208020	BOLT,FLANGE	9		M8X20	DC0660	
123	82100002038	CLAMP	2		WEC10		DC0628
	82100002039	CLAMP	2			DC0629	
124	82100002019	CLAMP	14		WR40		
125	82100001802	TUBE,CORRUGATE	N		10	DC0571	
126	82100002017	CLAMP	24		WR30		
127	82100002016	CLAMP	7		WR25		
129	82100002010	CLAMP	5		WR15		
130	37005700020	CLAMP	1		12X2		
131	37005700040	CLAMP	2		18X1		
132	90101208075	BOLT	2		M8X75		
133	42623146010	PLATE	2				
134	90186208016	BOLT,FLANGE	3		M8X16		DC0659
	90186208016	BOLT,FLANGE	4		M8X16	DC0660	
135	82100001819	TUBE,SPIRAL	N		SE-18BK		
136	82100001819	TUBE,SPIRAL	N		SE-18BK		
137	82100001803	TUBE,CORRUGATE	N		13		
138	82100001803	TUBE,CORRUGATE	N		13		
139	82100001803	TUBE,CORRUGATE	N		13		
140	82100001803	TUBE,CORRUGATE	N		13		
141	82100001803	TUBE,CORRUGATE	N		13		
142	82100001803	TUBE,CORRUGATE	N		13		
143	82100001806	TUBE,CORRUGATE	N		22		
144	82100001807	TUBE,CORRUGATE	N		28		
145	82100001807	TUBE,CORRUGATE	N		28		
146	82100001807	TUBE,CORRUGATE	N		28		
147	82100001806	TUBE,CORRUGATE	N		22		
148	82100001802	TUBE,CORRUGATE	N		10		
149	82100001806	TUBE,CORRUGATE	N		22		
150	37000505280	PLATE	1				
151	37000588790	SUPPORT	3				
152	82100002012	CLAMP	5		WR18		
153	90186206014	BOLT,FLANGE	6		M6X14		
154	82100002005	CLAMP	5		WRC8		
155	82100001801	TUBE,CORRUGATE	N		7		
156	90186208035	BOLT,FLANGE	1		M8X35		
157	82100002011	CLAMP	2		WRC15		
158	91810130270	FASTENER	4				DC0570
	91810130270	FASTENER	5			DC0571	DC0598
	91810130270	FASTENER	6			DC0599	DC0628
	91810130270	FASTENER	10			DC0629	DC0637
	91810130270	FASTENER	14			DC0638	
159	37000588870	SUPPORT	1				
160	37000588880	SUPPORT	1				
204	36103150000	TANK,AIR (ASSY ONLY)	1				
205	36103140000	TANK,AIR (ASSY ONLY)	1				

TC-4255-2-00100 FOR OVERSEAS(FOR GT-600EX-1)

Pos No.	Parts No	Parts Name	Qty	Unit	Technical Data	Serial No (Start)	Serial No (End)	Remarks
1	36600565010	VALVE KIT (REPAIR KIT)	1					
10	36600560000	VALVE,RELAY	1					

TC-4255-2-00100 FOR OVERSEAS(FOR GT-600EX-1)

Pos No.	Parts No	Parts Name	Qty	Unit	Technical Data	Serial No (Start)	Serial No (End)	Remarks	
1	36350637910	GASKET (SHIFT LEVER)	1						
2	36350637920	REMOTE CONTROL	1						
3	36350637930	NUT	4						
4	36350637940	NUT	4						
5	36350637950	STUD	4						

TC-4255-2-00100 FOR OVERSEAS(FOR GT-600EX-1)

Pos No.	Parts No	Parts Name	Qty	Unit	Technical Data	Serial No (Start)	Serial No
1	36350636000	SHAFT (MAIN)	1				
2	36350636010	GEAR (M/S 3RD)	1				
3	36350636020	GEAR (M/S 2ND)	1				
4	36350636030	GEAR (M/S 1ST)	1				
5	36350636040	GEAR (M/S LOW)	1				
6	36350636050	GEAR (M/S REV)	1				
7	36350636060	CLUTCH	1				
8	36350636070	GEAR (AUX DRIVE)	1				
9	36350636080	GEAR ASSY (SYNCHRONIZER ASSEMBLY)	2				
10	36350636090	PLUNGER	6				
11	36350636100	CUP (SYNCHRONIZER)	4				
12	36350636110	KEY	1				
13	36350636120	WASHER	1				
14	36350636130	RING,SNAP	1				
15	36350636140	SPACER (BEARING)	1				
16	36350636150	SPACER (GEAR)	1				
17	36350636160	RING,SNAP	1				
18	36350636170	WASHER	6				
19	36350636180	SPRING (COMPRESSION)	6				
20	36350636190	RETAINER	6				
21	36350636200	CLUTCH (SLIDING)	2				
22	36350636210	CLUTCH (SLIDING)	2				
23	36350636220	BEARING	1				

TC-4255-2-00100 FOR OVERSEAS(FOR GT-600EX-1)

Pos No.	Parts No	Parts Name	Qty	Unit	Technical Data	Serial No (Start)	Serial No (End)
1	36350636900	GUIDE ASSY (AUX DIRECT SYNC ASSY)	1				
2	36350636910	SPRING	3				
3	36350636920	CLUTCH	1				
4	36350636930	GUIDE (AUX REDN SYNC ASSY)	1				
5	36350636940	SHAFT	1				
6	36350636950	WASHER	1				
7	36350636960	GEAR	1				
8	36350636970	SPACER	1				
9	36350638270	BEARING,TAPER ROLLER	1				
12	36350637010	O-RING	1				
13	36350638280	FLANGE (OUTPUT)	1				
14	36350637030	NUT,FLANGE (HEX)	1				

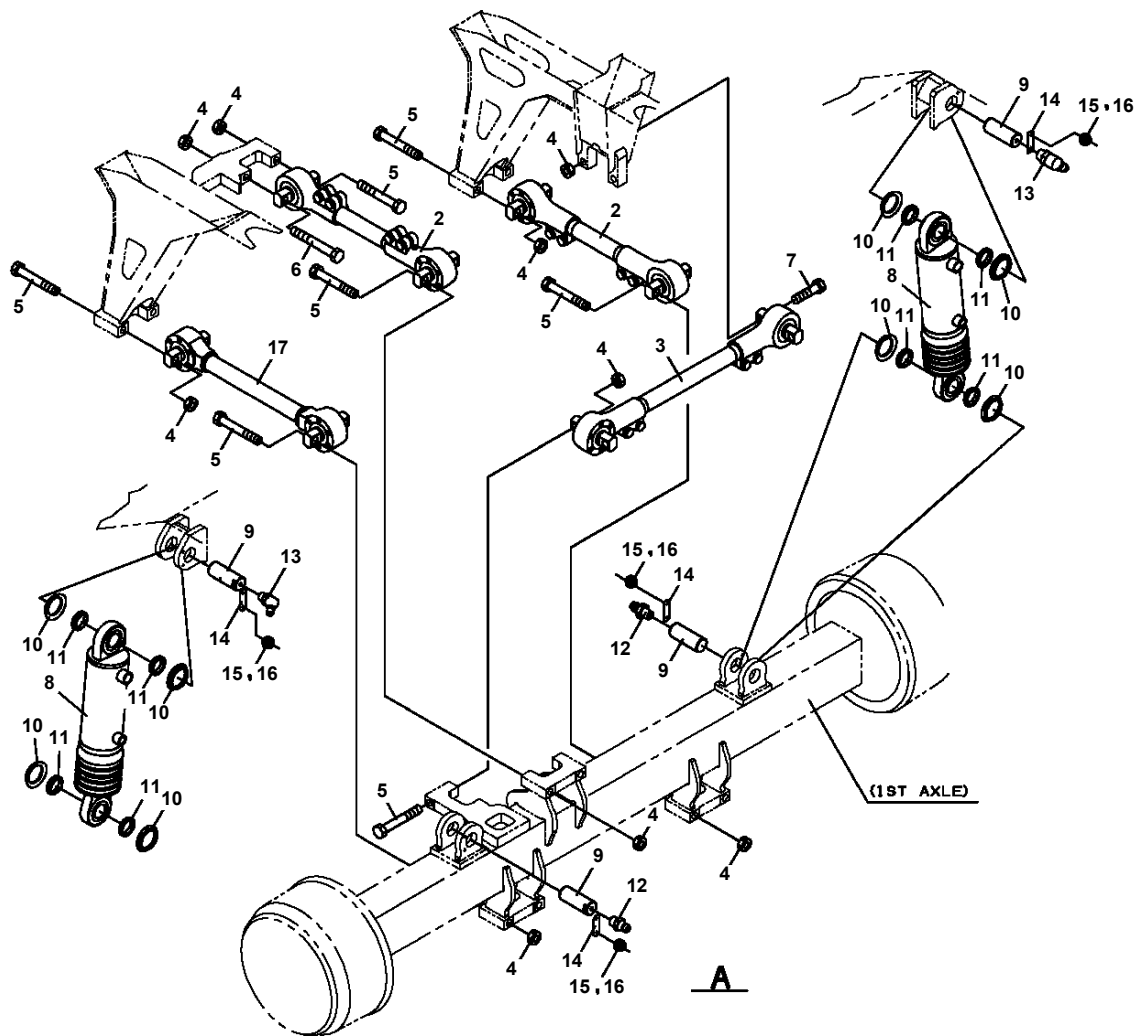
TC-4255-2-00100 FOR OVERSEAS(FOR GT-600EX-1)

Pos No.	Parts No	Parts Name	Qty	Unit	Technical Data	Serial No (Start)	Serial No (End)	R
1	36350638360	VALVE ASSY	1					
2	36350638370	CONNECTOR	2					
3	36350631040	NUT (JAM NUT UNC1/2)	1					
4	36350631160	PLATE (VALVE SHIFT)	1					
5	36350631220	TRANSMISSION (SHIFT CAB UNIT)	1					

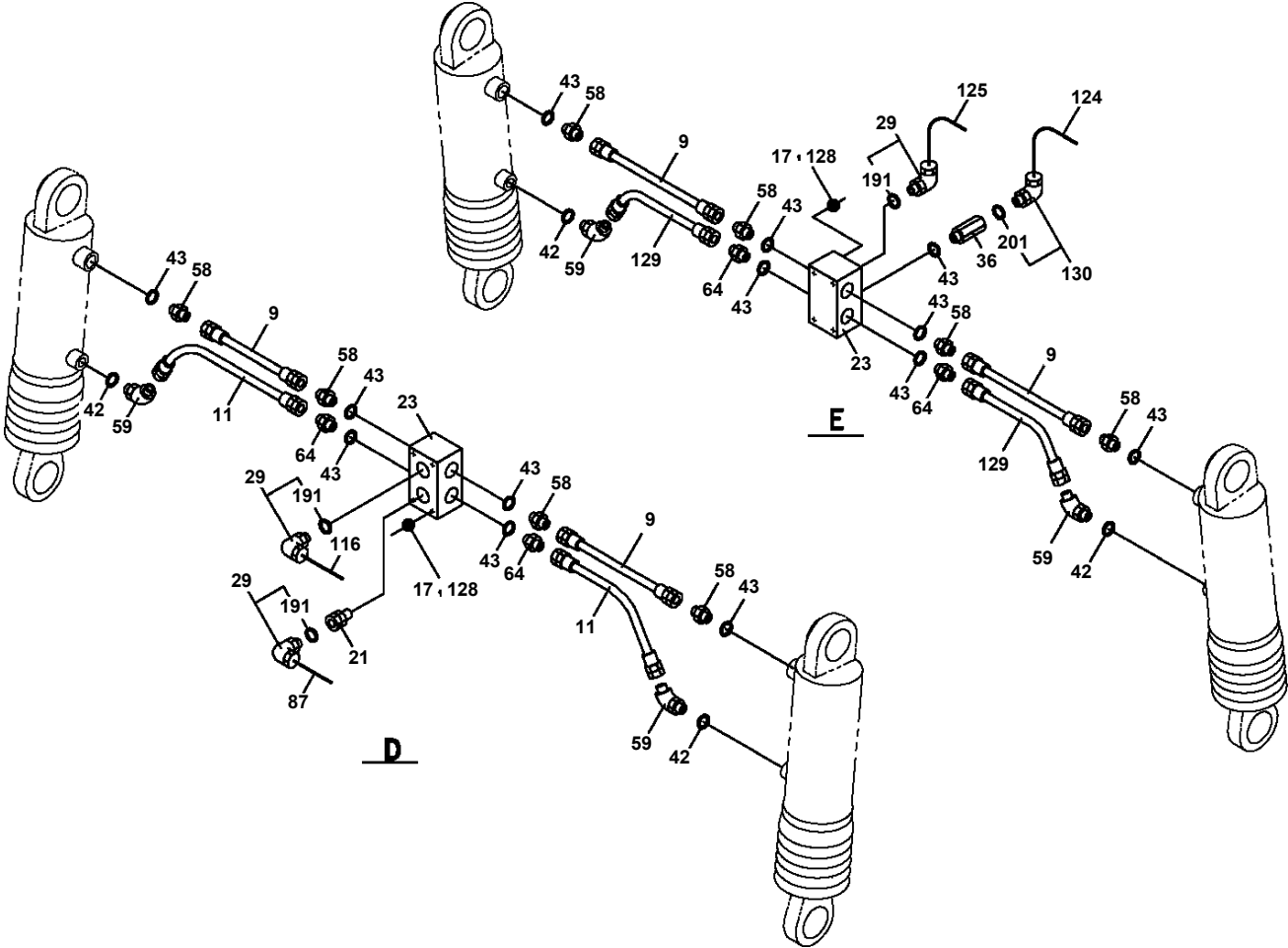
TC-4255-2-00100 FOR OVERSEAS(FOR GT-600EX-1)

Pos No.	Parts No	Parts Name	Qty	Unit	Technical Data	Serial No (Start)	Serial No (End)	Rema
2	35410247510	END	1					
3	35410247520	END	1					
4	35410247530	SUPPORT(BEARING)	4					
5	35410247540	BEARING	4					
6	35410247550	STUD(BALL)	2					
7	35410247560	COVER	2					
8	35410247570	BOLT	12					
9	35410247580	BOOT	4					
10	35410247590	BOLT	4					
11	35410247600	WASHER,SPRING	4					
12	35410247610	NUT	4					
100	35410240100	ROD,TORQUE (ADJUST TYPE)	1		L=600			

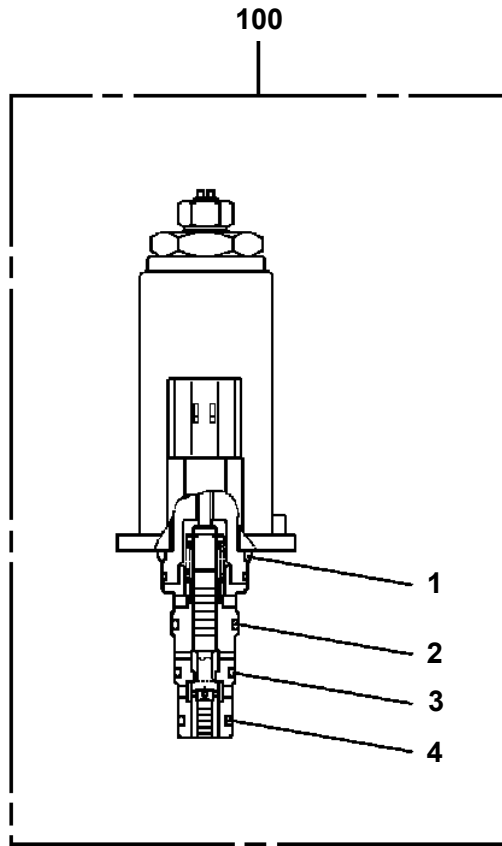
TC-4255-2-00100 FOR OVERSEAS(FOR GT-600EX-1)
PU1100078-00 MOUNT,SUSPENSION (FRONT)



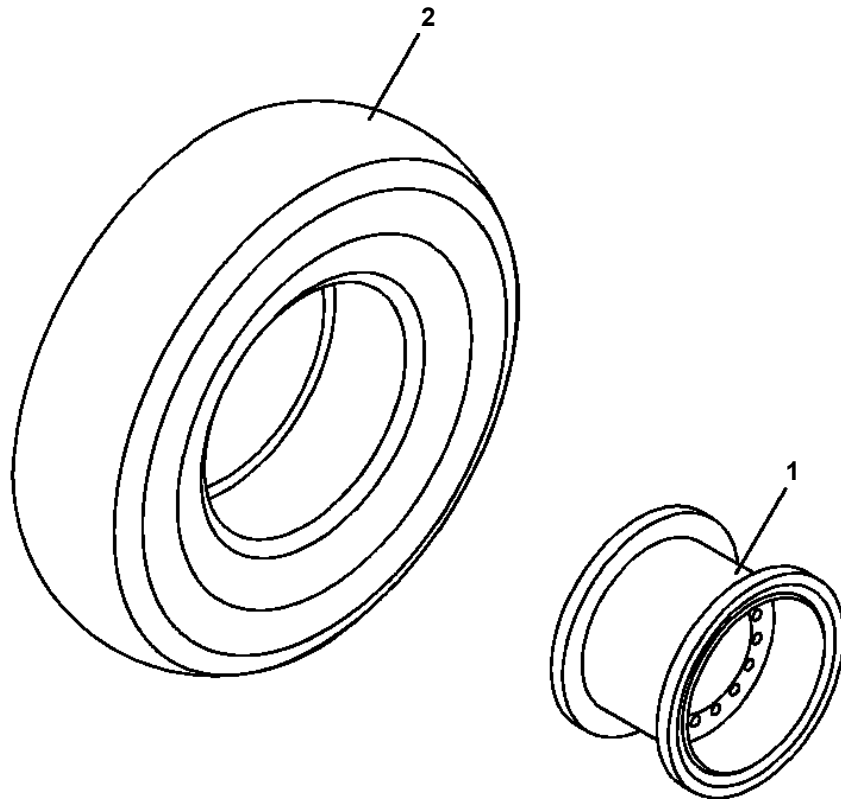
**TC-4255-2-00100 FOR OVERSEAS(FOR GT-600EX-1)
PU1150016-02 PIPING,SUSPENSION**



**TC-4255-2-00100 FOR OVERSEAS(FOR GT-600EX-1)
PV5410001-00 VALVE,SOLENOID**



**TC-4255-2-00100 FOR OVERSEAS(FOR GT-600EX-1)
PW5030018-00 WHEEL ASSY (TOPY + BRIDGESTONE)**



TC-4255-2-00100 FOR OVERSEAS(FOR GT-600EX-1)

Pos No.	Parts No	Parts Name	Qty	Unit	Technical Data	Serial No (Start)	Serial No (End)	Remarks	Pages
1	35590250101	COVER	1						
2	35590250200	COVER	1				DC0625		
	35590250201	COVER	1			DC0626			
3	35590250300	COVER	1						
4	35590250400	COVER	1						
5	35590250500	COVER	1						
6	35590250601	COVER	1				DC0561		
7	35590250701	COVER	1						
8	35590250801	COVER	1						
9	35590250900	COVER	1						
10	35590251000	COVER	1						
11	35590251100	COVER	1						
12	35590251201	COVER	1						
13	35590251301	COVER	1						
14	35590251401	COVER	1						
15	35590251500	COVER ASSY	1				DC0561		
	35590251501	COVER ASSY	1			DC0562			
16	35590251600	COVER	1						
17	35590251701	COVER	1						
18	35590251801	COVER	1						
19	35590251902	COVER	1						
20	35590252001	COVER	1						
21	35590252100	COVER	1						
22	35590252201	COVER	1						
23	35590252301	COVER	1						
24	35590252401	COVER	1						
25	35590252501	COVER	1						
26	35590252601	STEP	2						
27	35590252701	STEP	2						
28	35590252840	COVER	1						
29	35590252900	SUPPORT	2						
30	35590253000	SUPPORT	1						
31	35590253100	SUPPORT	1						
32	35590253200	SUPPORT	1						
33	35590253300	SUPPORT	1						
34	35590253400	SUPPORT	1						
35	35590253500	SUPPORT	1						
36	35590253600	SUPPORT	10						
37	35590253700	SUPPORT	2						
38	35590253800	SUPPORT	2						
39	35590254500	SUPPORT	2						
40	35590254000	SUPPORT	4						
41	35590254100	SUPPORT	1						
42	35590254200	SUPPORT	2				DC0631		
	35590254201	SUPPORT	2			DC0632			
43	34691266900	SUPPORT	1						
44	33810190100	GUARD	1				DC0638		
45	35590254300	RAIL	1						
46	35590254400	RAIL	1						
47	99707787064	RAIL	4						
48	35590252870	COVER	1						
49	35590273400	PLATE	2						
50	82460104215	GRIP	8						
51	90302040801	WASHER,SPRING	72	8					
52	90303071001	WASHER,PLAIN	89	10			DC0561		
	90303071001	WASHER,PLAIN	96	10		DC0562			
53	90186210020	BOLT,FLANGE	N		M10X20				
54	37000556830	PLATE	13						
55	90101208014	BOLT	72		M8X14				
56	35590254600	PLATE	72						
57	90280201000	NUT,FLANGE	28		M10				
58	90186208020	BOLT,FLANGE	2		M8X20		DC0694		
	90186208020	BOLT,FLANGE	N		M8X20				

TC-4255-2-00100 FOR OVERSEAS(FOR GT-600EX-1)

Pos No.	Parts No	Parts Name	Qty	Unit	Technical Data	Serial No (Start)	Serial No (End)	Remarks	Page
1	37000305290	SPACER	4		L=150				
2	35220063100	SUPPORT	2						
3	34860160900	PIN	2						
5	35220063300	SUPPORT	1						
6	35220063500	SUPPORT	1						
8	37000128890	PIN	2						
31	35220068030	CASE ASSY, OUTER	2				DC0601		
	35220068030	CASE ASSY, OUTER	1			DC0602			
32	35220068040	CASE ASSY, OUTER	1			DC0602			

TC-4255-2-00100 FOR OVERSEAS(FOR GT-600EX-1)

Pos No.	Parts No	Parts Name	Qty	Unit	Technical Data	Serial No (Start)	Serial No (End)	Remarks
1	35780313200	LAMP,HEAD (ASSY ONLY)	4					
2	35780313400	BULB,LAMP	4				DC0643	
	35780313401	BULB,LAMP (ASSY ONLY)	4			DC0644		
4	35780316000	LAMP (COMBINATION)	1					
5	34930704500	LAMP,TURN SIGNAL (R)	1					
6	34930705000	LAMP,TURN SIGNAL (L)	1					
7	35780316100	LAMP (COMBINATION)	1					
8	35780313300	FRAME	4					
9	90186206010	BOLT,FLANGE	12		M6X10			
10	90101205014	BOLT	4		M5X14			
11	90201200500	NUT	4		M5			
12	90302040501	WASHER,SPRING	4		5			
13	80182806012	SCREW,MACHINE	12		M6X12			
14	90302040601	WASHER,SPRING	12		6			
15	90303070601	WASHER,PLAIN	12		6			
16	35780315200	CAP	2					
17	35780315300	COVER	1					
18	35780315400	COVER	1					
19	35780315500	COVER	1					
20	35780315600	COVER	1					
21	35780315700	COVER	1					
22	35780315800	COVER	1					
51	34930707520	LENS	1					
58	82166300210	BULB,LAMP (KOITO)	2		24V 21W			
71	34930707530	LENS	1					

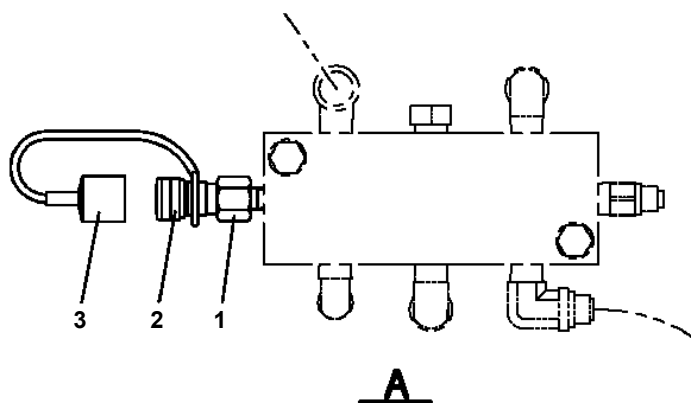
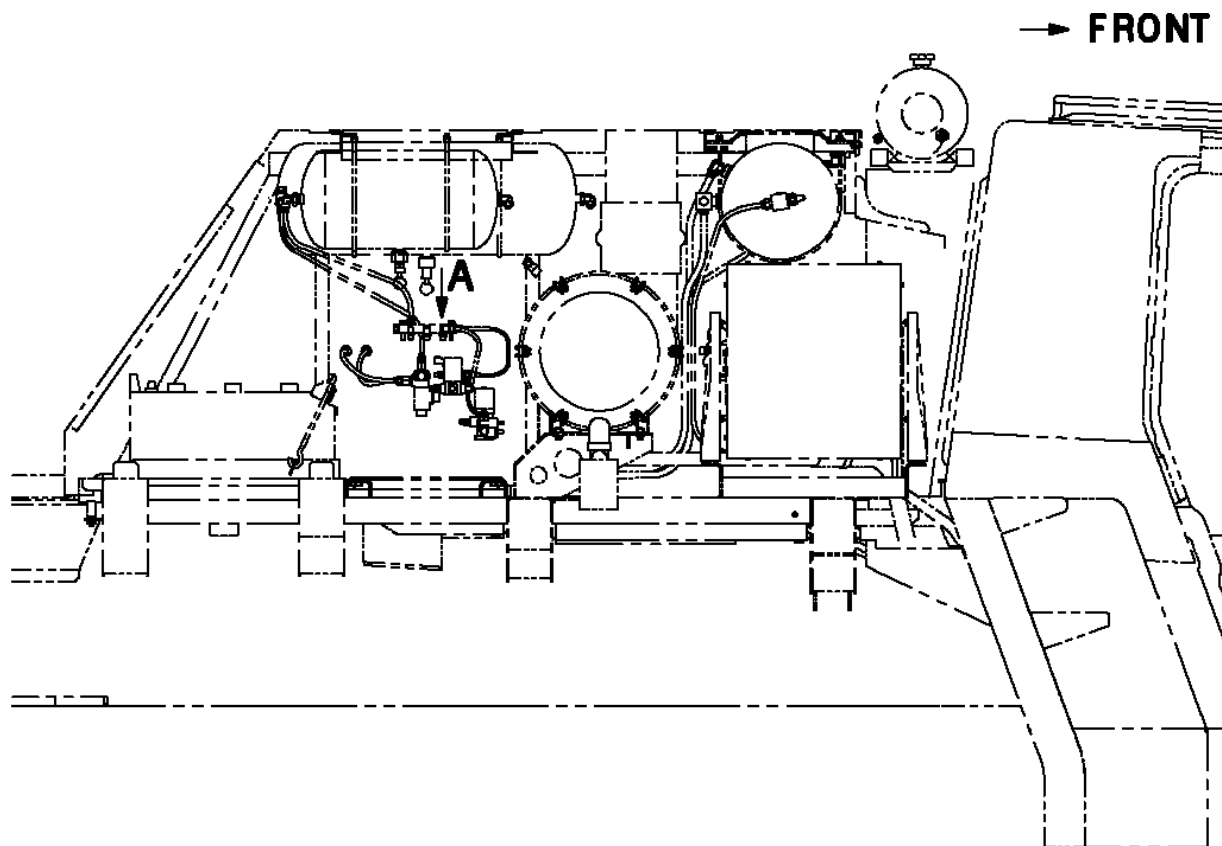
TC-4255-2-00100 FOR OVERSEAS(FOR GT-600EX-1)

Pos No.	Parts No	Parts Name	Qty	Unit	Technical Data	Serial No (Start)	Serial No (End)	Remarks	Pages
1	91996100003	ADAPTER	4						

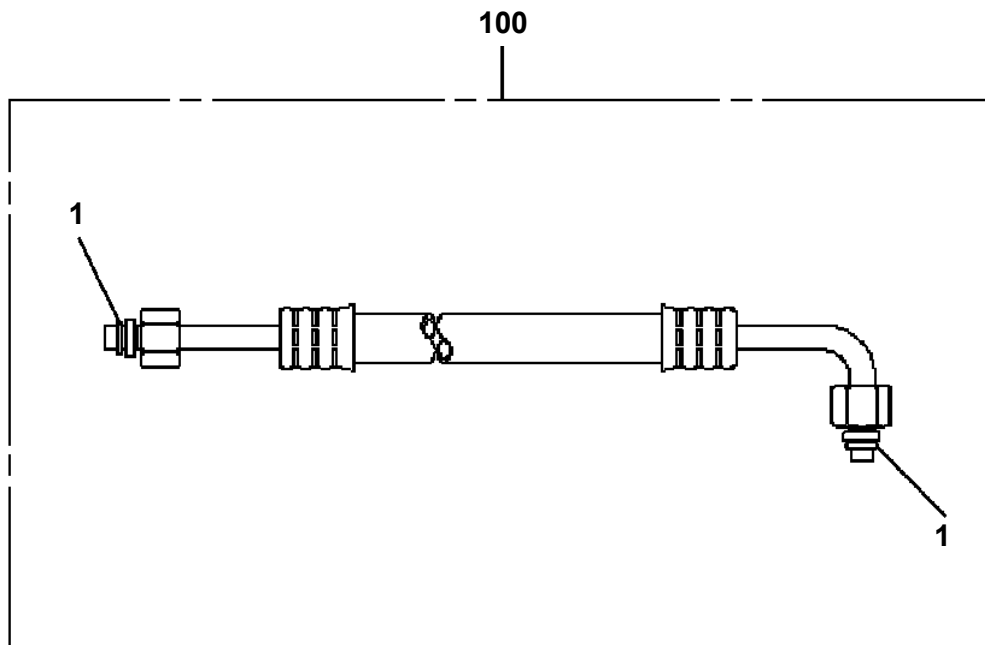
TC-4255-2-00100 FOR OVERSEAS(FOR GT-600EX-1)

Pos No.	Parts No	Parts Name	Qty	Unit	Technical Data	Serial No (Start)	Serial No (End)	Remarks	Pages
1	91803601000	CLIP	2		D=85-100				
2	91803600600	CLIP	1		D=45-60				
3	91803600550	CLIP	11		D=40-55				

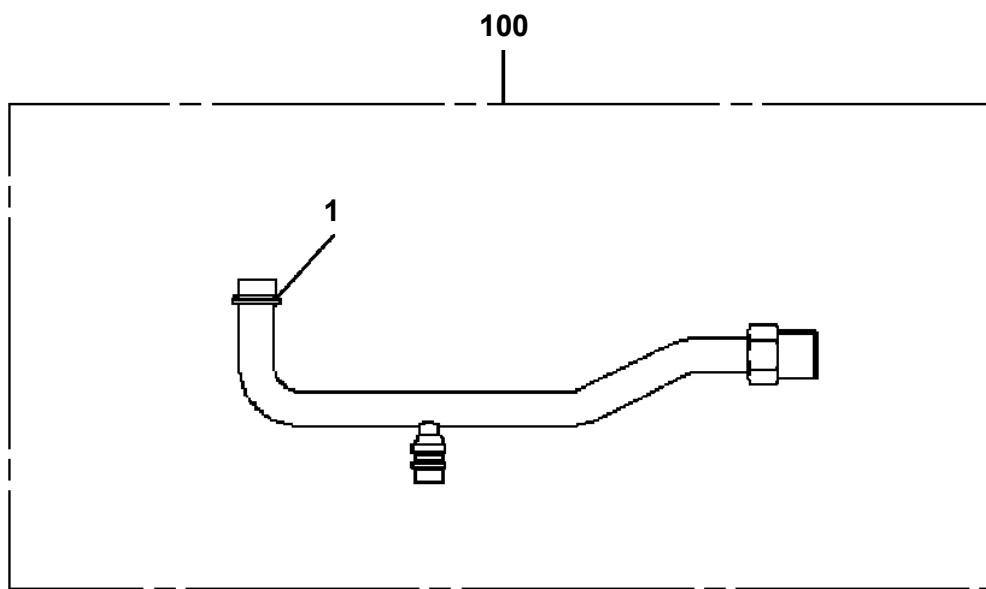
TC-4255-2-00100 FOR OVERSEAS(FOR GT-600EX-1)
PY1430012-00 INFLATOR,AIR (AIR-SUPPLY PORT)



**TC-4255-2-00100 FOR OVERSEAS(FOR GT-600EX-1)
PY2270057-00 AIR CONDITIONER (HOSE)**



**TC-4255-2-00100 FOR OVERSEAS(FOR GT-600EX-1)
PY2270062-00 AIR CONDITIONER (JOINT)**



CLICK HERE TO **DOWNLOAD** THE COMPLETE MANUAL

- Thank you very much for reading the preview of the manual.
- You can download the complete manual from: www.heydownloads.com by clicking the link below



- Please note: If there is no response to CLICKING the link, please download this PDF first and then click on it.

CLICK HERE TO **DOWNLOAD** THE COMPLETE MANUAL