

SL-5-1-00002 WITHOUT RADIO CONT.,WITHOUT WINCH
PK1000573-00 FRAME
ASSEMBLY

CLICK HERE TO **DOWNLOAD** THE COMPLETE MANUAL

- Thank you very much for reading the preview of the manual.
- You can download the complete manual from: www.heydownloads.com by clicking the link below

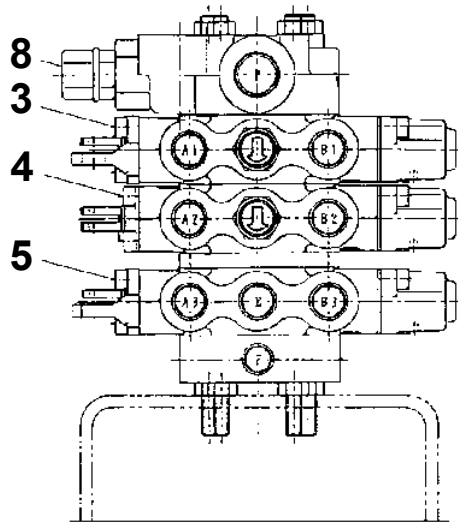


- Please note: If there is no response to CLICKING the link, please download this PDF first and then click on it.

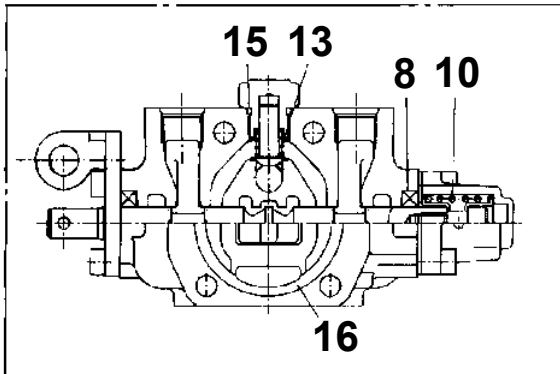
CLICK HERE TO **DOWNLOAD** THE COMPLETE MANUAL

SL-5-1-00002 WITHOUT RADIO CONT.,WITHOUT WINCH
 PB1320328-00 VALVE,MANUAL CONTROL

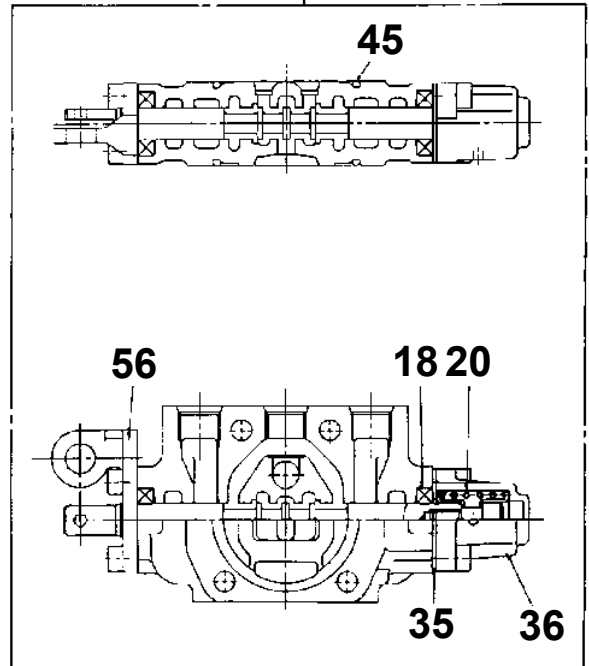
100



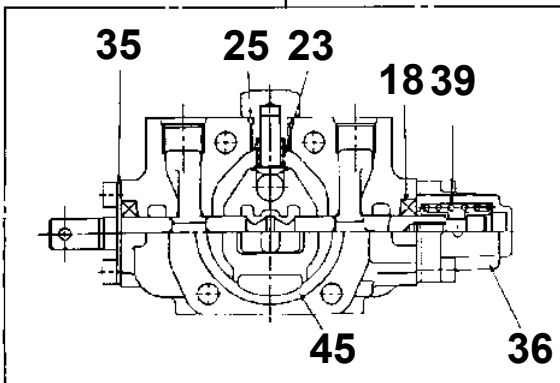
3



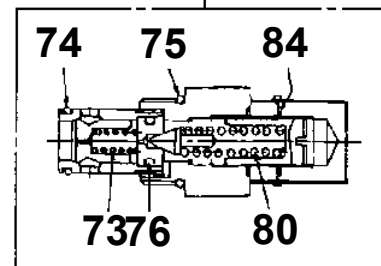
5



4



8



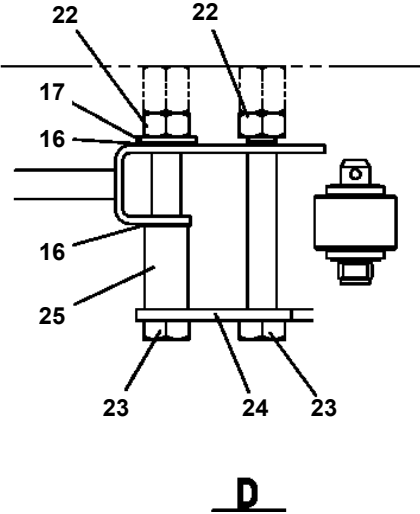
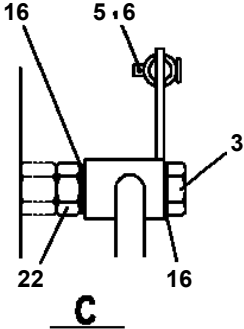
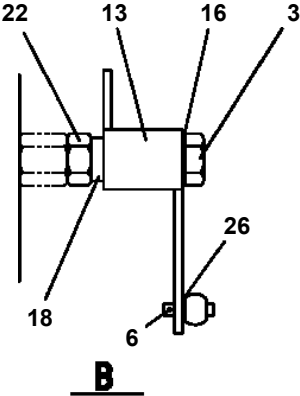
SL-5-1-00002 WITHOUT RADIO CONT.,WITHOUT WINCH

Pos No.	Parts No	Parts Name	Qty	Unit	Technical Data	Serial No (Start)	Serial No (End)	Remarks	Pages
1	31653031100	HARNESS	1						

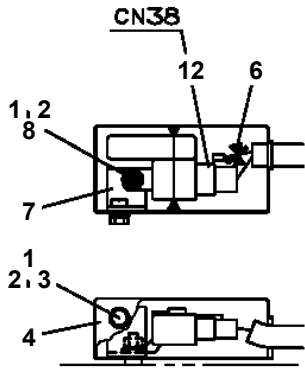
SL-5-1-00002 WITHOUT RADIO CONT.,WITHOUT WINCH

Pos No.	Parts No	Parts Name	Qty	Unit	Technical Data	Serial No (Start)	Serial No (End)	Remarks
1	36672285010	HEAD ASSY	1					
2	36670109511	FILTER,CARTRIDGE	1				UA5391	
	36672580000	FILTER,CARTRIDGE	1			UA5392		
10	36672280000	FILTER,OIL (YAMASHIN)	1					

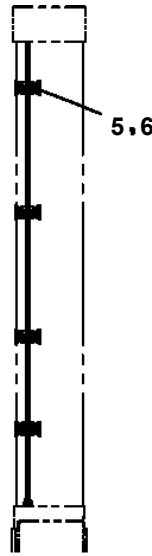
**SL-5-1-00002 WITHOUT RADIO CONT.,WITHOUT WINCH
PL1011021-02 OPE.ASSY,CONT.VALVE**



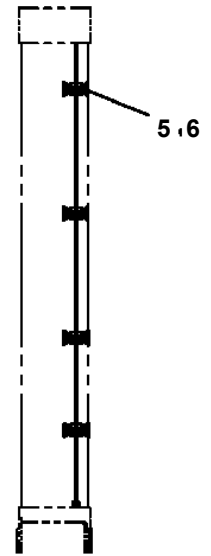
**SL-5-1-00002 WITHOUT RADIO CONT.,WITHOUT WINCH
PN1011987-01 ELECTRICAL ACCESSORIES**



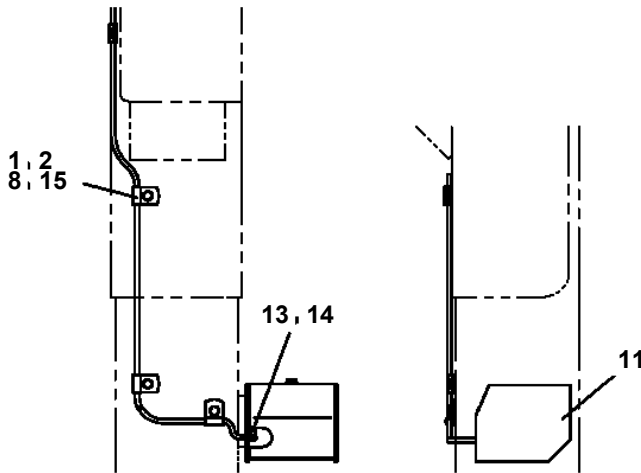
A



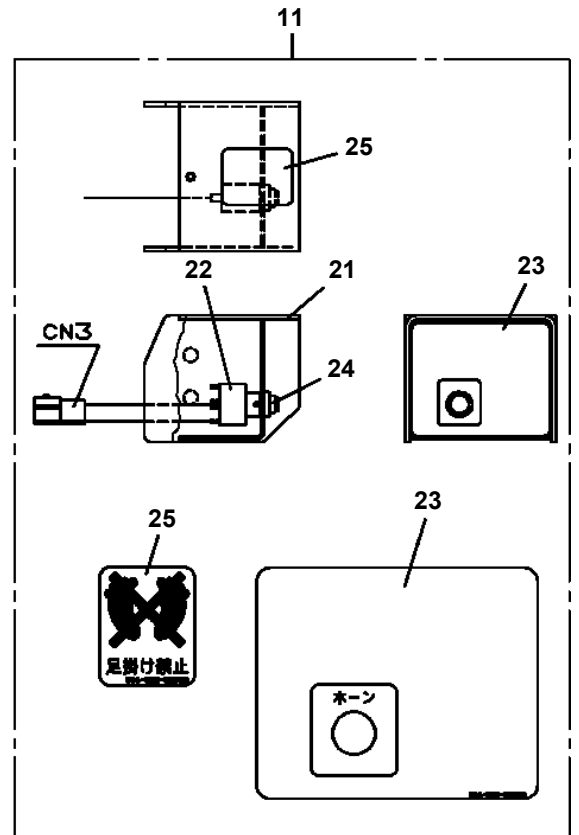
B



C



D



CLICK HERE TO **DOWNLOAD** THE COMPLETE MANUAL

- Thank you very much for reading the preview of the manual.
- You can download the complete manual from: www.heydownloads.com by clicking the link below



- Please note: If there is no response to CLICKING the link, please download this PDF first and then click on it.

CLICK HERE TO **DOWNLOAD** THE COMPLETE MANUAL