

SL-15-2-00301 SEPARATED FRONT GUARD,WITH WINCH

PK2001451-00 FRAME UNIT

PO1000152-01 INDICATION PLATES

ASSEMBLY

CLICK HERE TO **DOWNLOAD** THE COMPLETE MANUAL

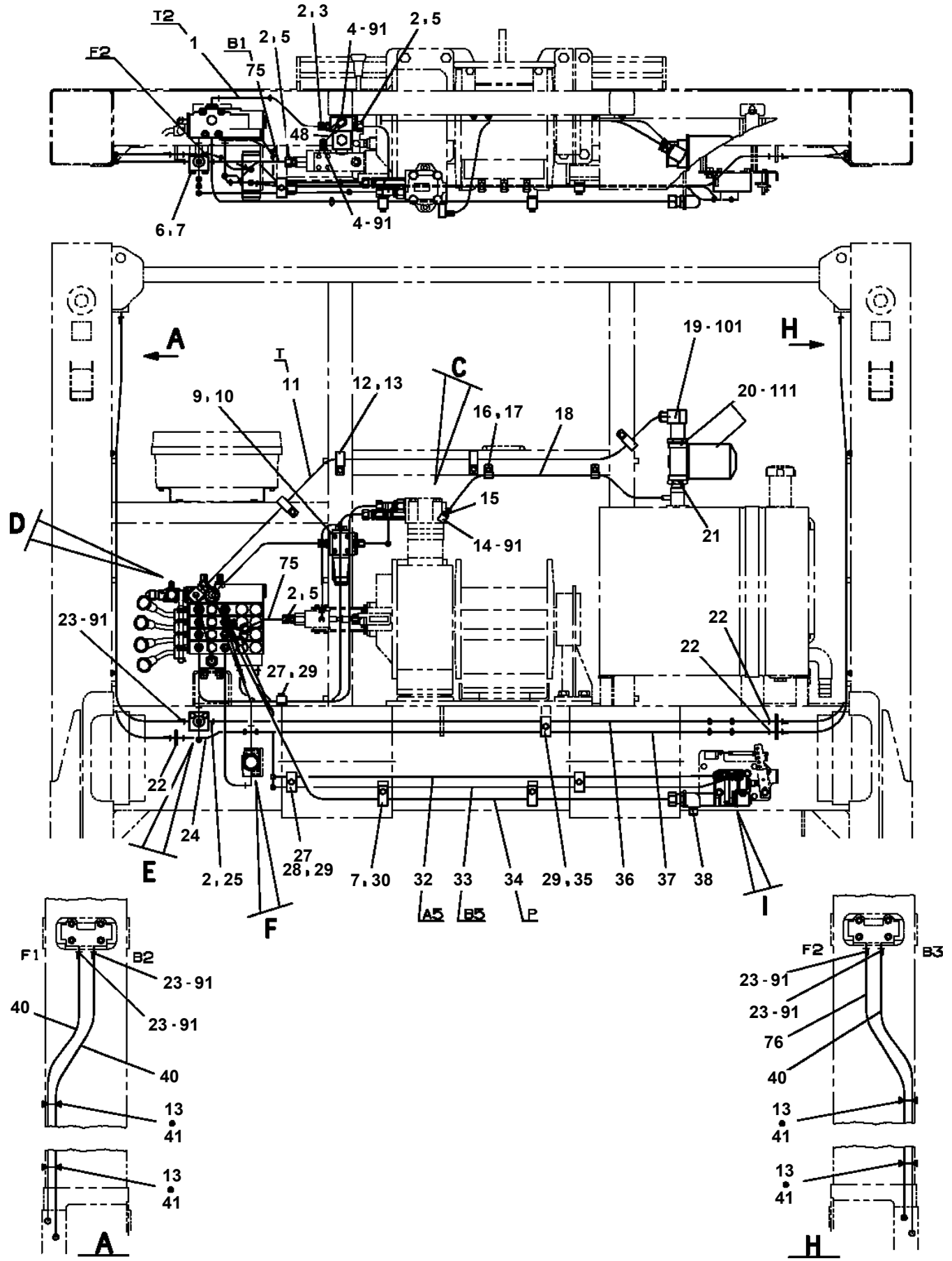
- Thank you very much for reading the preview of the manual.
- You can download the complete manual from: www.heydownloads.com by clicking the link below



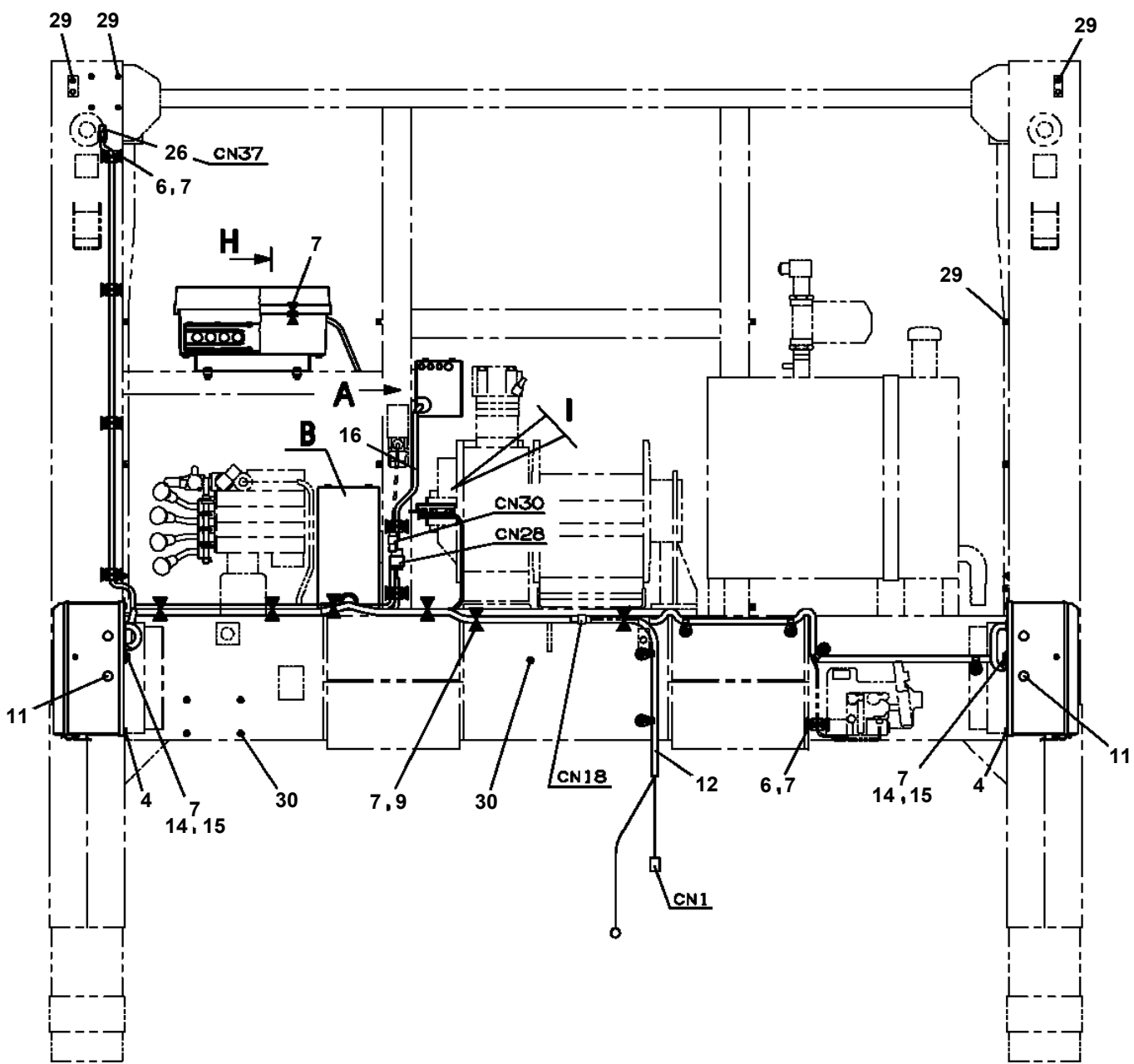
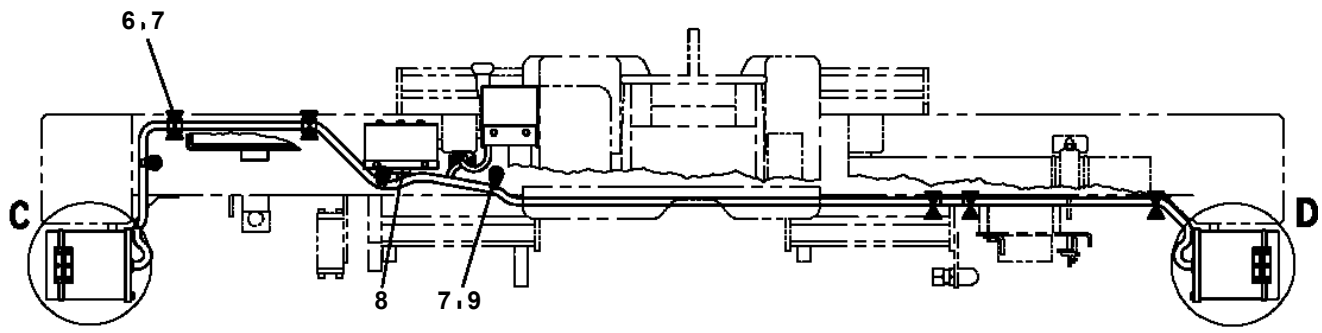
- Please note: If there is no response to CLICKING the link, please download this PDF first and then click on it.

CLICK HERE TO **DOWNLOAD** THE COMPLETE MANUAL

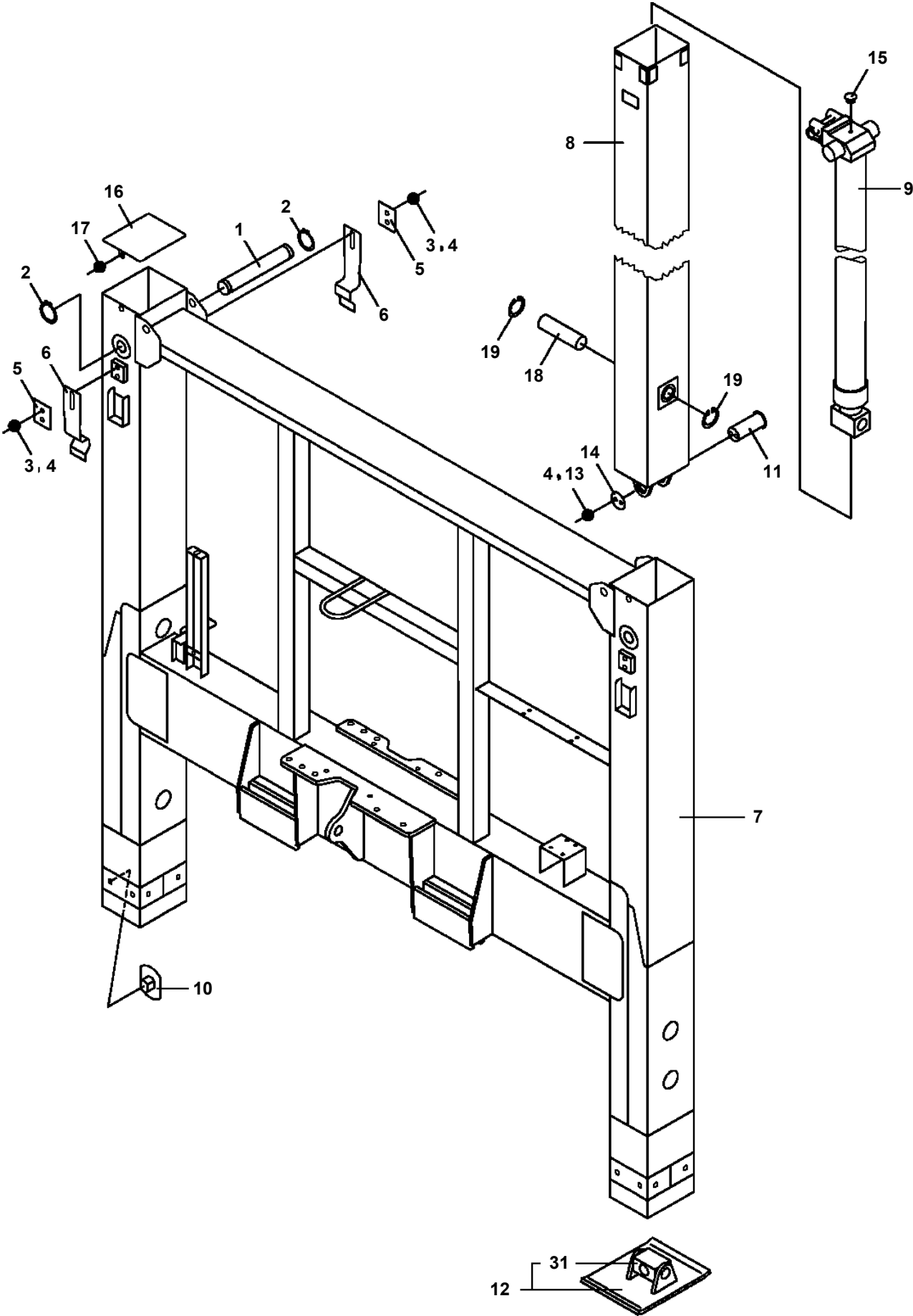
**SL-15-2-00301 SEPARATED FRONT GUARD,WITH WINCH
PB1411812-00 PIPING,LOWER**



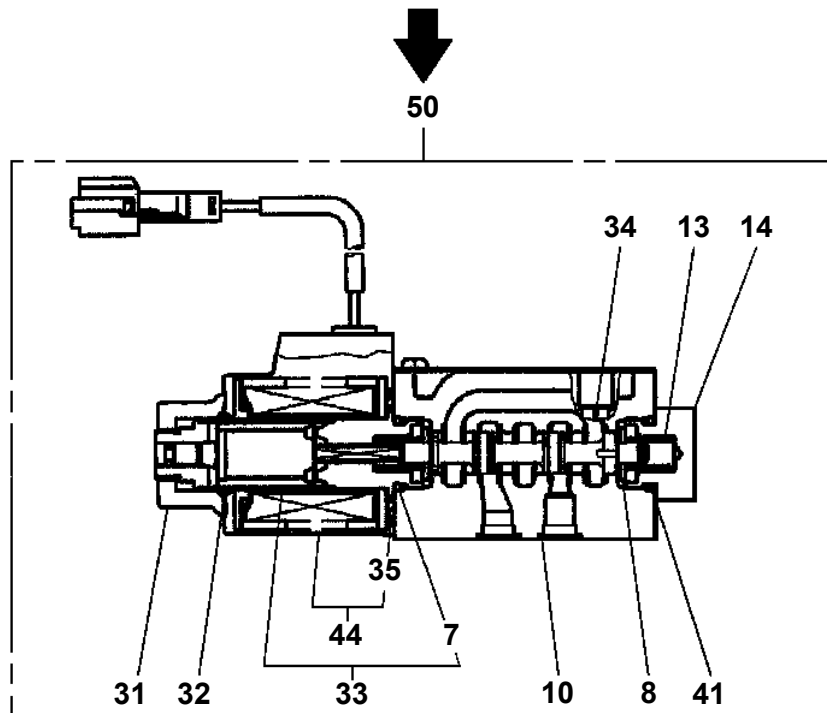
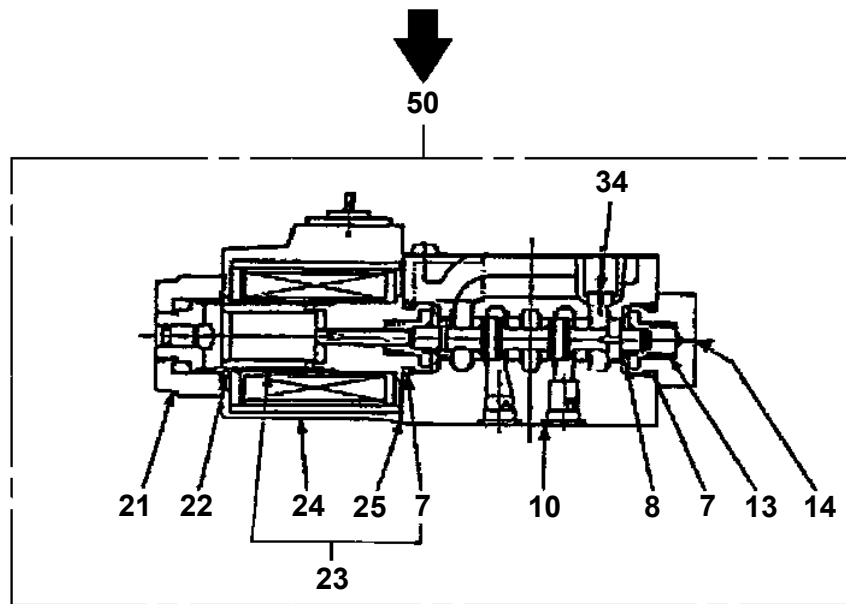
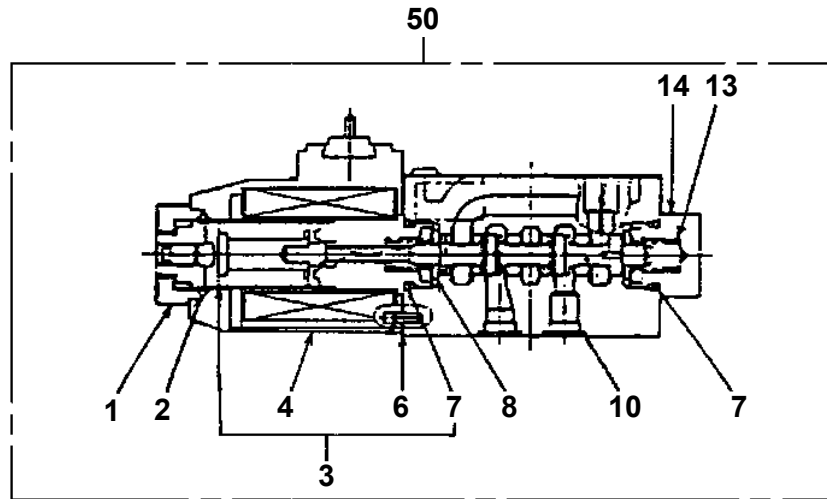
SL-15-2-00301 SEPARATED FRONT GUARD, WITH WINCH
PE5021040-00 ELEC.ASSY



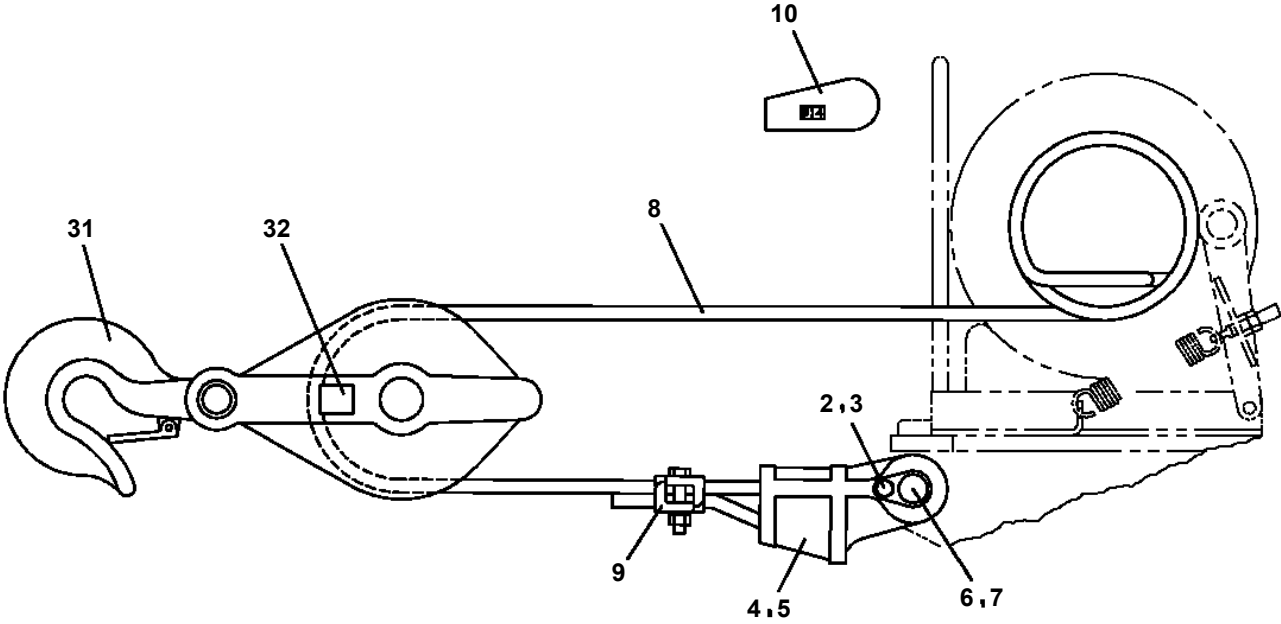
**SL-15-2-00301 SEPARATED FRONT GUARD,WITH WINCH
PF5100097-00 FRAME ASSY**



**SL-15-2-00301 SEPARATED FRONT GUARD,WITH WINCH
PI1120142-02 VALVE,SOLENOID**



**SL-15-2-00301 SEPARATED FRONT GUARD,WITH WINCH
PL5210006-00 LIFTING DEVICE ASSY**



32
PULL
LOAD
8000kg
218-551-11122

SL-15-2-00301 SEPARATED FRONT GUARD,WITH WINCH

| Pos No. | Parts No | Parts Name | Qty | Unit | Technical Data | Serial No (Start) | Seri |
|---------|-------------|-----------------------------------------|-----|------|----------------|-------------------|------|
| 1 | 31395270100 | PLATE,NAME (TADANO SELF LOADER) | 2 | | | | |
| 2 | 37002231690 | PLATE,CAUTION (PINCH POINT WILL CAUSE) | 4 | | | | |
| 3 | 37002223170 | PLATE,CAUTION | 1 | | | | |
| 4 | 37002231700 | PLATE,CAUTION (HANDLING OF SELF LOADER) | 2 | | | | |
| 5 | 37002221870 | PLATE,NAME (LEFT JACK/RE/EXT) | 1 | | | | |
| 6 | 37002221860 | PLATE,NAME (RIGHT JACK/RET/EXT) | 1 | | | | |
| 7 | 37002231710 | PLATE,NAME (RET. EXT.) | 1 | | | | |
| 8 | 37002223150 | PLATE,CAUTION (CRUSH HAZRRD) | 2 | | | | |
| 9 | 37002205300 | PLATE,NAME (LEVEL) | 1 | | | | |
| 11 | 90451700100 | SCREW,TAPPING | 4 | | M4X6.4 | | |

SL-15-2-00301 SEPARATED FRONT GUARD,WITH WINCH

| Pos No. | Parts No | Parts Name | Qty | Unit | Technical Data | Serial No (Start) | Serial No (End) | Rema |
|---------|-------------|---------------------------|-----|------|----------------|-------------------|-----------------|------|
| 2 | 36101895020 | BREATHER ASSY (OB-10B) | 1 | | | | | |
| 3 | 36102635010 | GAUGE,OIL | 1 | | | | | |
| 4 | 36102790010 | PLUG | 1 | | | | | |
| 5 | 91803880070 | CLIP | 2 | | D=13.1-16.2 | | | |
| 8 | 90303392001 | WASHER | 1 | | M20 | | | |
| 21 | 53156005010 | ELEMENT (OB-10T & OB-10B) | 1 | | | | | |
| 22 | 36101895030 | RETAINER ASSY | 1 | | | | | |
| 100 | 36102540001 | TANK ASSY | 1 | | | | | |

CLICK HERE TO **DOWNLOAD** THE COMPLETE MANUAL

- Thank you very much for reading the preview of the manual.
- You can download the complete manual from: www.heydownloads.com by clicking the link below



- Please note: If there is no response to CLICKING the link, please download this PDF first and then click on it.

CLICK HERE TO **DOWNLOAD** THE COMPLETE MANUAL