

AC-120-1-80201 3 BOOM,CRAWLER TYPE

PB1000204-02 HYDRAULIC PRESSURE GENERATING SYSTEM

PD1000189-01 SWING SYSTEM

PE1000187-02 ELEVATING SYSTEM

PG1000183-01 TELESCOPING SYSTEM

PH1000174-00 SAFETY DEVICES

PI1000207-01 HYDRAULIC DEVICES

PJ3000037-00 PLATFORM SYSTEM

PK1000197-02 FRAME

PL1000194-01 CONTROL DEVICES

PN1000132-02 ELECTRIC EQUIPMENT

PO1000131-03 INDICATION PLATES

PW1000109-01 ACCESSORIES & TOOLS

PY1000175-01 OPTIONS

ASSEMBLY

CLICK HERE TO **DOWNLOAD** THE COMPLETE MANUAL

- Thank you very much for reading the preview of the manual.
- You can download the complete manual from: www.heydownloads.com by clicking the link below



- Please note: If there is no response to CLICKING the link, please download this PDF first and then click on it.

CLICK HERE TO **DOWNLOAD** THE COMPLETE MANUAL

AC-120-1-80201 3 BOOM,CRAWLER TYPE

Pos No.	Parts No	Parts Name	Qty	Unit	Technical Data	Serial No (Start)	Serial No (End)	Remarks
1	(*****)	DETECTOR,FRAME ANGLE	1					
2	(*****)	FOOT SWITCH (LOWER)	1					
3	(*****)	FOOT SWITCH (UPPER)	1					
	(*****)	FOOT SWITCH (UPPER)	1					
4	(*****)	TOUCH SWITCH	1					

AC-120-1-80201 3 BOOM,CRAWLER TYPE

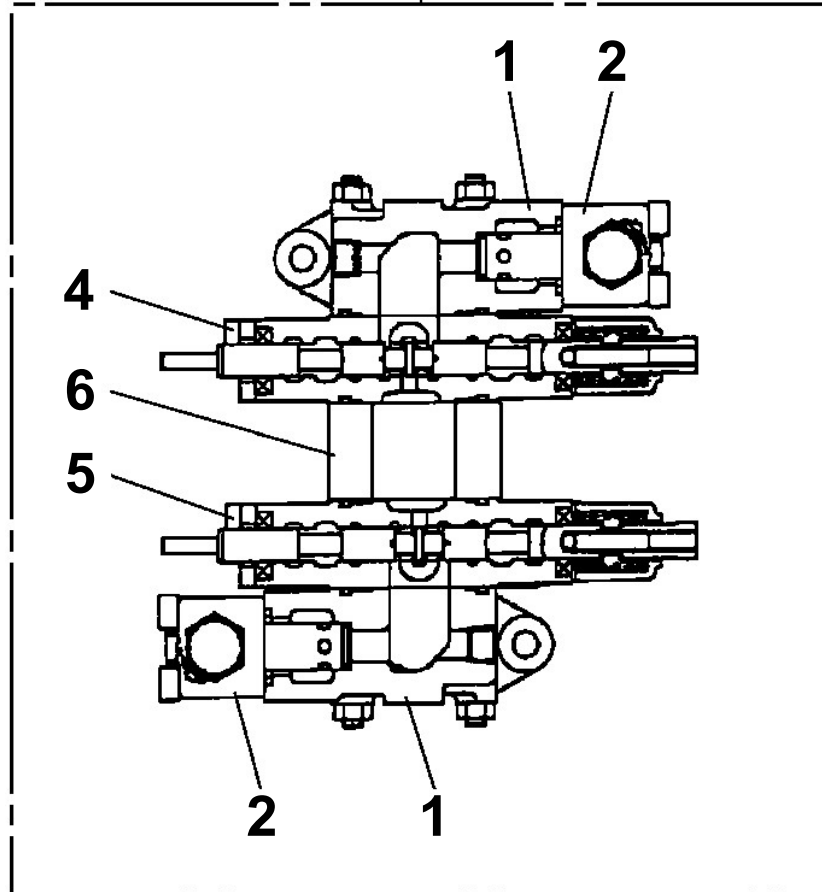
Pos No.	Parts No	Parts Name	Qty	Unit	Technical Data	Serial No (Start)	Serial No (End)	Rema
1	(*****)	ELEC.ASSY (SWING FRAME 1)	1					
2	(*****)	ELEC.ASSY (SWING FRAME 2)	1					
3	(*****)	ELEC.ASSY (BOOM)	1			095049	095196	
	(*****)	ELEC.ASSY (BOOM)	1			095197		
	(*****)	ELEC.ASSY (BOOM)	1				095048	
4	(*****)	ELEC.ASSY (BASKET)	1					
7	(*****)	RELAY BOX	1					
8	44430251201	RELAY	1					

AC-120-1-80201 3 BOOM,CRAWLER TYPE

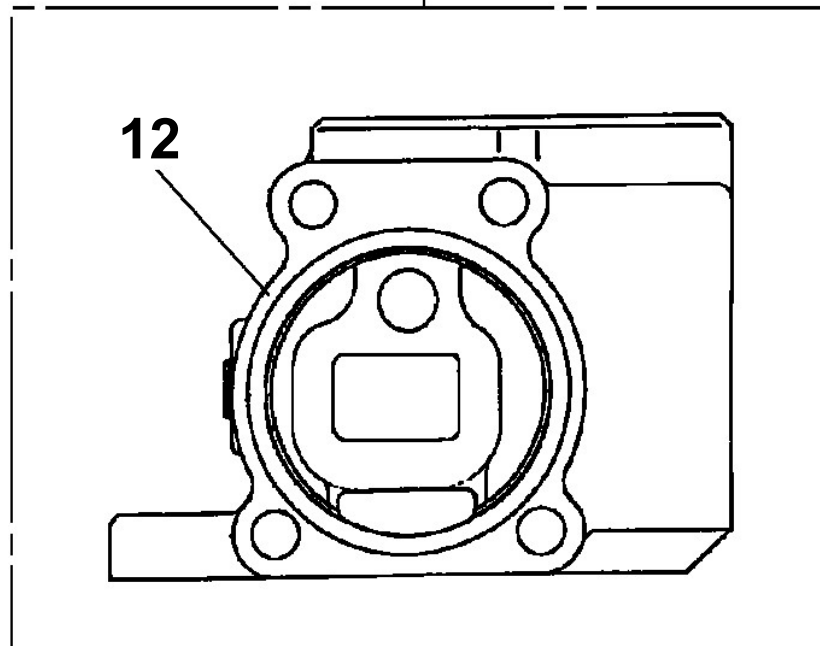
Pos No.	Parts No	Parts Name	Qty	Unit	Technical Data	Serial No (Start)	Serial No (End)	R
1	19215195580	MOTOR ASSY	1		24V			
10	36651345010	PUMP ASSY	1					
13	19215105160	SEAL,OIL	1					
20	36651290000	PUMP,HYDRAULIC (EMERGENCY)	1					

AC-120-1-80201 3 BOOM,CRAWLER TYPE
PB1320179-01 VALVE,MANUAL CONTROL

200



1



AC-120-1-80201 3 BOOM,CRAWLER TYPE

Pos No.	Parts No	Parts Name	Qty	Unit	Technical Data	Serial No (Start)	Serial No (End)
4	37000906450	JOINT	1				
5	80302010100	FITTING	2		KCT10-020N		
6	81408000130	PIPE,STEEL	1	M	10X1.8T		
10	36600280000	VALVE,PRESSURE CONTROL (D TYPE)	1				
11	90101210060	BOLT	2		M10X60		
12	90302041001	WASHER,SPRING	2		10		
13	90303071001	WASHER,PLAIN	2		10		
14	37002439550	HOSE	1		L=800		
15	80400160103	FITTING	1		20368-U3/8X1/4	095175	
	80400160103	FITTING	2		20368-U3/8X1/4		095174
16	33340081040	HOSE	1	M	660-NFK		095174
17	80400160125	FITTING,TEE	2		20364-U3/8		095174
	80400160125	FITTING,TEE	1		20364-U3/8	095175	
18	33340081000	HOSE	1	M	880-NKF	095175	
	33340081040	HOSE	1	M	660-NFK		095174
19	33340081040	HOSE	1	M	660-NFK		
20	33340081040	HOSE	1	M	660-NFK		
21	33340081040	HOSE	2	M	660-NFK		
22	80315040040	JOINT	3				
23	91002801100	O-RING	3		1B P11		
24	36642920000	VALVE,SOLENOID	1				
25	90101205016	BOLT	2		M5X16		
26	90302040501	WASHER,SPRING	2		5		
27	91800000003	FASTENER	10				
28	80400160109	FITTING,ELBOW	1		20369-U3/8X1/4		
29	80315020080	JOINT,BUSHING	1				
31	80430450650	JOINT	1				
32	82100001412	TUBE,SPIRAL	5	M	SE-12BK		
33	82100001819	TUBE,SPIRAL	3	M	SE-18BK		
34	80430450450	JOINT	4		YL502		
36	37002414110	HOSE	1		L=1120		
37	82420102413	TRIM	1	M			
38	82100001807	TUBE,CORRUGATE	2	M	28		
39	80315060060	JOINT,BUSHING	1			095175	
40	80400160105	FITTING	1		20368-U1/2X3/8	095175	
41	91002801400	O-RING	1		1B P14	095175	
42	80315040060	JOINT	1			095175	
43	80400160111	FITTING,ELBOW	1			095175	

AC-120-1-80201 3 BOOM,CRAWLER TYPE

Pos No.	Parts No	Parts Name	Qty	Unit	Technical Data	Serial No (Start)	Serial No (End)	Remarks	Pages
1	44440130100	PLATE	2						
2	44440130200	SUPPORT	1						
3	44440130300	PIN	1						
4	44440130400	COVER	1						
5	37000514950	PLATE	1						
6	31320020010	KNOB (BLACK)	1						
7	90101208025	BOLT	2		M8X25				
8	90240200800	NUT,CAP	2		M8				
9	90302040801	WASHER,SPRING	4		8				
10	90303070801	WASHER,PLAIN	2		8				
11	90101208020	BOLT	2		M8X20				

AC-120-1-80201 3 BOOM,CRAWLER TYPE

Pos No.	Parts No	Parts Name	Qty	Unit	Technical Data	Serial No (Start)	Serial No (End)	Remarks
4	11621004000	RETAINER	4					
5	37001903310	ROPE,WIRE	1					
6	37001912080	ROPE,WIRE (TESAC)	1					
	37001910710	ROPE,WIRE (KOKOKU)	1					
7	37000144710	PIN	1					
9	80602110400	RING,RITAINING	2		R40			
10	37000113850	PIN	2					
11	80601110400	RING,RITAINING	2		S40			
12	37000113840	PIN	1					
13	37002002070	PLATE,SLIDE	4					
14	37000510800	PLATE	16		T=0.8			
15	80184306012	SCREW,MACHINE	12		M6X12			
16	37002002060	PLATE,SLIDE	4					
17	42200021010	PLATE	12		T=0.8			
18	37000144700	PIN	1					
19	12626208001	BUSH	2					
20	82458101000	NIPPLE,GREASE	1		B-PT1/8			
21	90101210025	BOLT	2		M10X25			
22	44200181000	BOOM,BASE	1					
23	44200185000	BOOM,2ND	1					
24	44200183000	BOOM,TOP	1					
25	37002002080	PLATE,SLIDE	2					
26	37000510810	PLATE	12		T=0.6			
27	90101210020	BOLT	2		M10X20			
28	90202401800	NUT	4		M18			
29	90202401600	NUT	4		M16			
30	37002003400	PLATE,SLIDE	2					
31	90131510040	BOLT,HEXAGON SOCKET	4		M10X40			
32	90101510016	BOLT	16		M10X16			
33	90302041001	WASHER,SPRING	34		10			
34	37000544160	PLATE,SLIDE	2					
35	37002002090	PLATE,SLIDE	2					
36	37000510790	PLATE	16		T=0.6			
38	90101510014	BOLT	8		M10X14			
39	90303071001	WASHER,PLAIN	4		10			
40	37000544170	PLATE	4					
41	37000132370	PIN	1					
42	90238402408	NUT,CASTLE	1		M24			
43	37000523310	BAR	1					
44	80136350045	PIN,SPLIT	1		5X45			
45	90303072401	WASHER,PLAIN	1		24			
46	37002001720	PLATE,SLIDE	4					
47	37000508520	PLATE	8		T=0.8			
48	37000112190	PIN	1					
49	80601110300	RING,RITAINING	2		S30			
50	89631502000	HOSE,VINYL	1		18X22,2M			
51	90101512030	BOLT	2		M12X30			
52	90302041201	WASHER,SPRING	2		12			
53	37000524070	PLATE	1		T=6			
54	90101510020	BOLT	2		M10X20			
55	37000509190	PLATE	1					
61	42200013410	SUPPORT	4					
62	37002001720	PLATE,SLIDE	4					
63	37000508520	PLATE	4		T=0.8			
64	80184306012	SCREW,MACHINE	4		M6X12			
72	80612110950	RING,RITAINING	2		AR95			
74	42200021510	PLATE	2					
75	42200021520	PIN	2					
78	90302041001	WASHER,SPRING	30		10			
81	37002002060	PLATE,SLIDE	4					
82	42200021010	PLATE	12		T=0.8			
83	80184306010	SCREW,MACHINE	4		M6X10			
84	42200300110	RETAINER	4					

AC-120-1-80201 3 BOOM,CRAWLER TYPE

Pos No.	Parts No	Parts Name	Qty	Unit	Technical Data	Serial No (Start)	Serial No (End)	Remarks
4	11621004000	RETAINER	4				095689	
	42200720100	RETAINER	4			095690		
5	37001908080	ROPE,WIRE	1			095323		
	37001903310	ROPE,WIRE	1				095322	
6	37001912080	ROPE,WIRE (TESAC)	1					
	37001910710	ROPE,WIRE (KOKOKU)	1					
7	37000144710	PIN	1					
9	80602110400	RING,RITAINING	2		R40			
10	37000113850	PIN	2					
11	80601110400	RING,RITAINING	2		S40			
12	37000113840	PIN	1					
13	37002002070	PLATE,SLIDE	4					
14	37000510800	PLATE	16		T=0.8			
15	80184306012	SCREW,MACHINE	12		M6X12			
16	37002002060	PLATE,SLIDE	4					
17	42200021010	PLATE	12		T=0.8			
18	37000144700	PIN	1					
19	12626208001	BUSH	2					
20	82458101000	NIPPLE,GREASE	1		B-PT1/8			
21	90101210025	BOLT	2		M10X25			
22	44200181000	BOOM,BASE	1					
23	44200185000	BOOM,2ND	1					
24	44200183002	BOOM,TOP	1			095684		
	44200183001	BOOM,TOP	1				095683	
25	37002002080	PLATE,SLIDE	2					
26	37000510810	PLATE	12		T=0.6			
27	90101210020	BOLT	2		M10X20			
28	90202401800	NUT	4		M18			
29	90202401600	NUT	4		M16			
30	37002003400	PLATE,SLIDE	2					
31	90131510040	BOLT,HEXAGON SOCKET	4		M10X40			
32	90101510016	BOLT	16		M10X16		095284	
	90101510016	BOLT	24		M10X16	095285		
33	90302041001	WASHER,SPRING	34		10			
34	37000544160	PLATE,SLIDE	2					
35	37002002090	PLATE,SLIDE	2					
36	37000510790	PLATE	16		T=0.6			
38	90101510014	BOLT	8		M10X14		095284	
39	90303071001	WASHER,PLAIN	4		10		095284	
	90303071001	WASHER,PLAIN	8		10	095285		
40	37000544170	PLATE	4					
41	37000132370	PIN	1					
42	90238402408	NUT,CASTLE	1		M24			
43	37000523310	BAR	1					
44	80136350045	PIN,SPLIT	1		5X45			
45	90303072401	WASHER,PLAIN	1		24			
46	37002001720	PLATE,SLIDE	4					
47	37000508520	PLATE	8		T=0.8			
48	37000112190	PIN	1					
49	80601110300	RING,RITAINING	2		S30			
50	89631502000	HOSE,VINYL	1		18X22,2M			
51	90101512030	BOLT	2		M12X30			
52	90302041201	WASHER,SPRING	2		12			
53	37000524070	PLATE	1		T=6			
54	90101510020	BOLT	2		M10X20			
55	37000509190	PLATE	1					
61	42200013410	SUPPORT	4					
62	37002001720	PLATE,SLIDE	4					
63	37000508520	PLATE	4		T=0.8			
64	80184306012	SCREW,MACHINE	4		M6X12			
72	80612110950	RING,RITAINING	2		AR95			
74	42200021510	PLATE	2					
75	42200021520	PIN	2					

CLICK HERE TO **DOWNLOAD** THE COMPLETE MANUAL

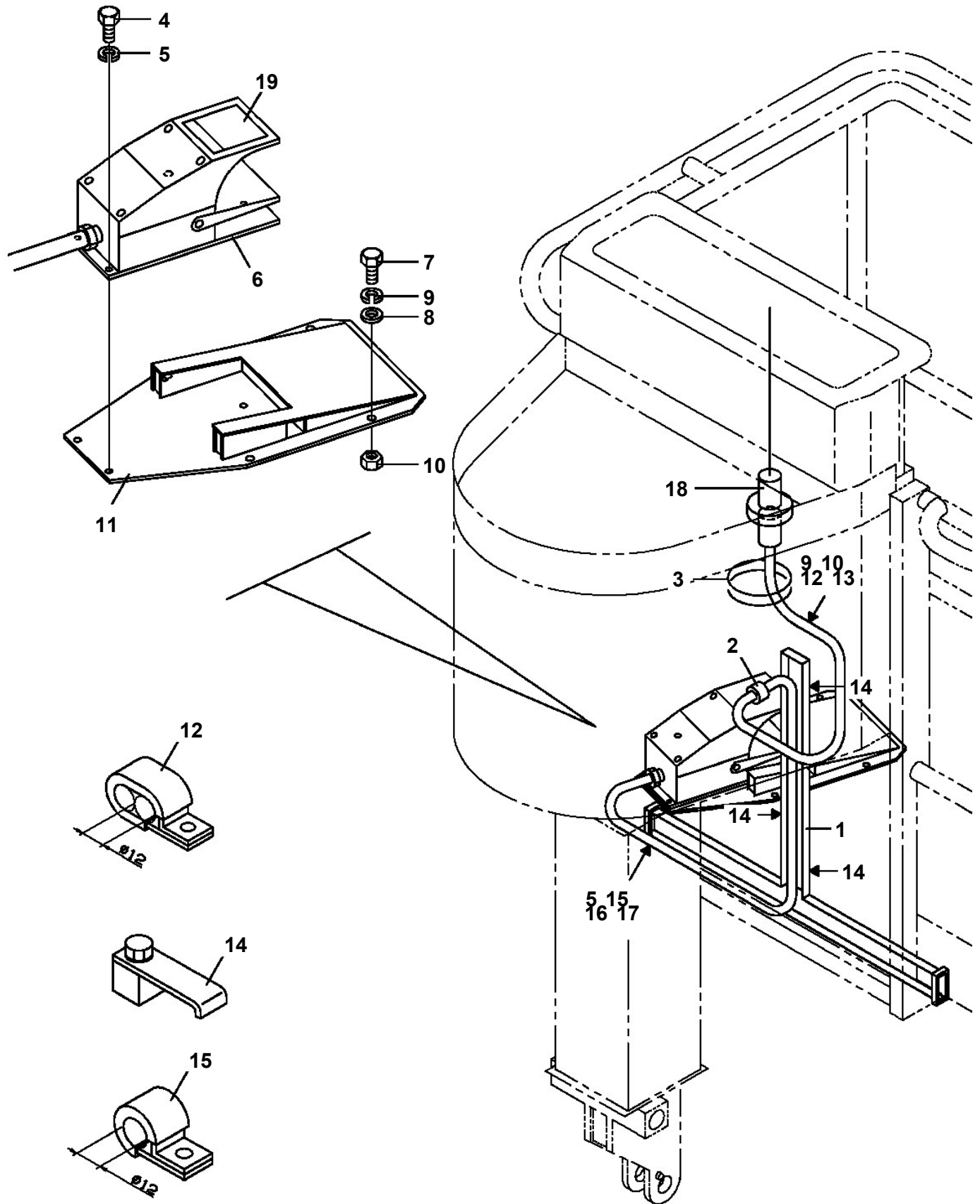
- Thank you very much for reading the preview of the manual.
- You can download the complete manual from: www.heydownloads.com by clicking the link below



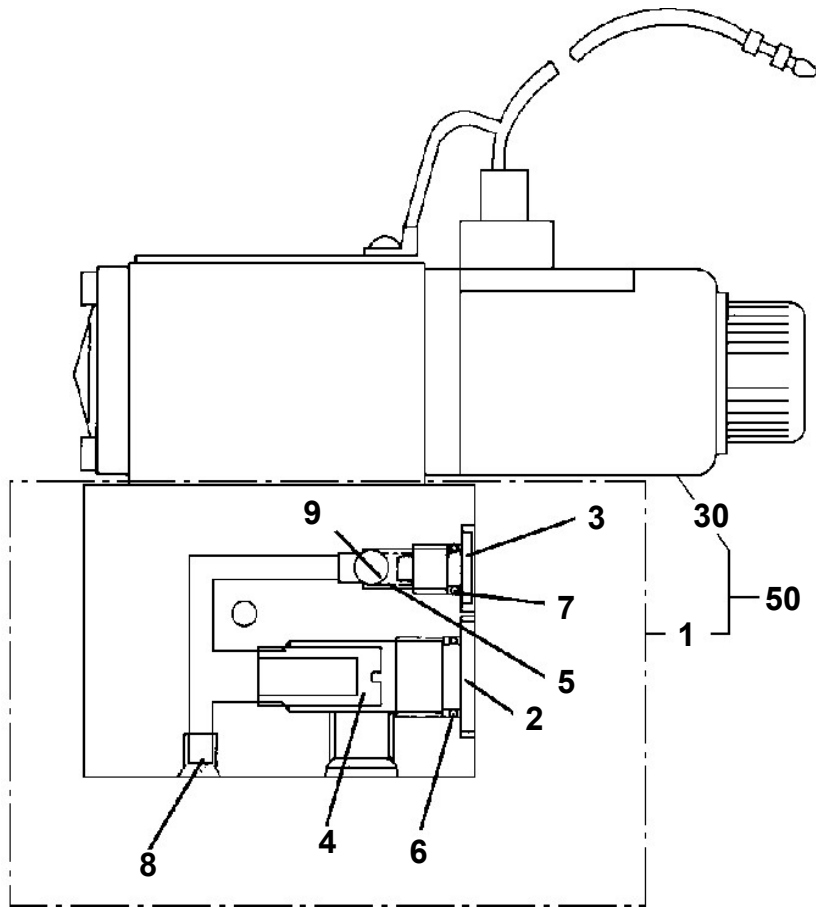
- Please note: If there is no response to CLICKING the link, please download this PDF first and then click on it.

CLICK HERE TO **DOWNLOAD** THE COMPLETE MANUAL

AC-120-1-80201 3 BOOM,CRAWLER TYPE
PH1540009-00 FOOT SWITCH (UPPER)

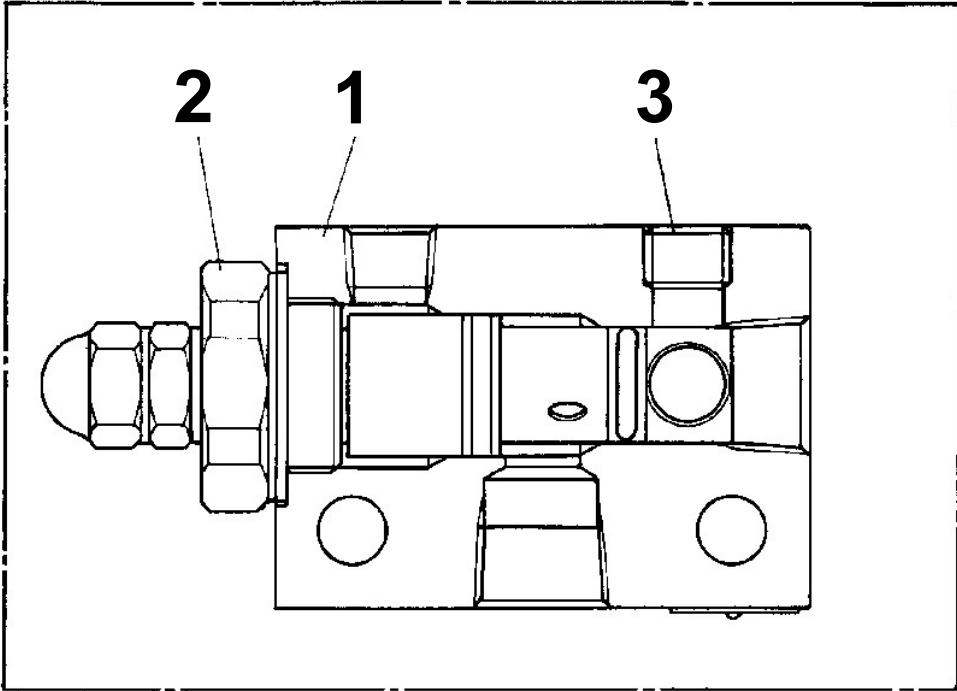


**AC-120-1-80201 3 BOOM,CRAWLER TYPE
PI1120085-02 VALVE,SOLENOID**

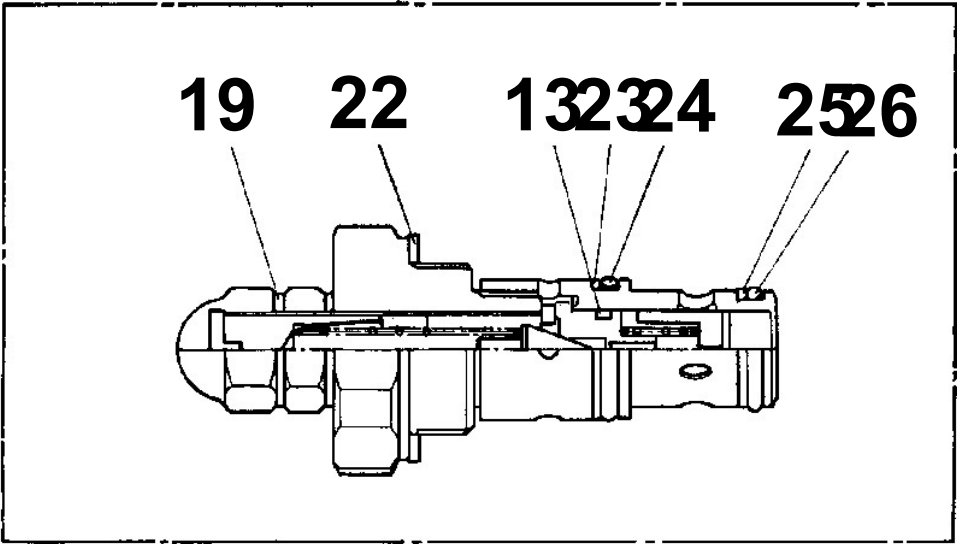


AC-120-1-80201 3 BOOM,CRAWLER TYPE
PI1180020-01 VALVE,PRESSURE CONTROL (D TYPE)

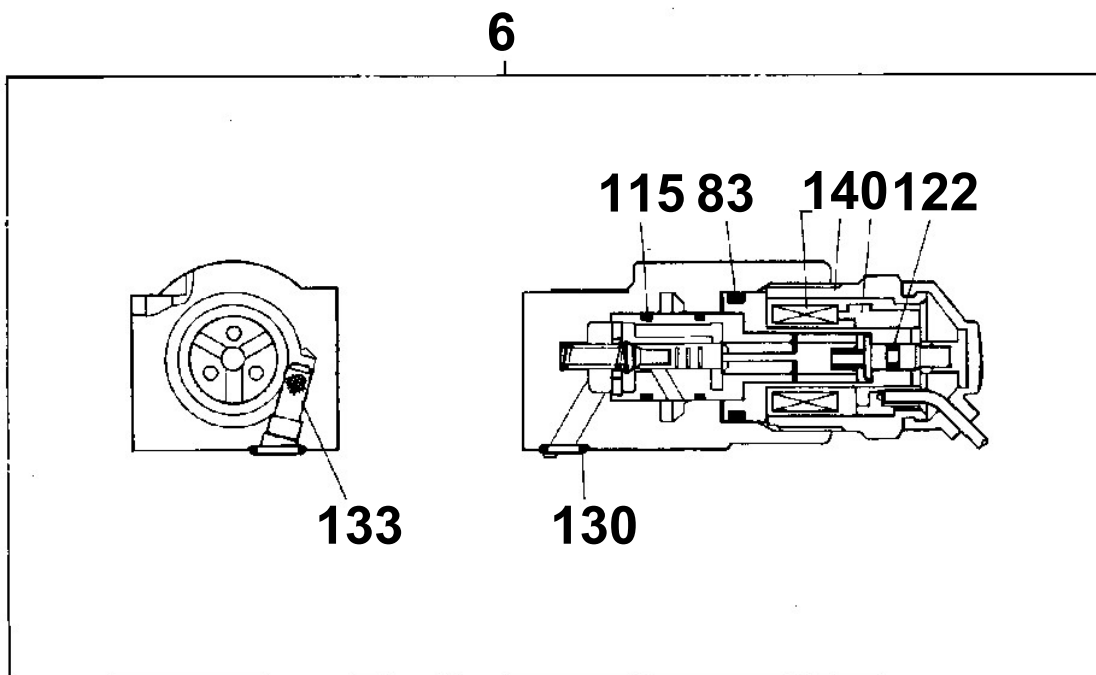
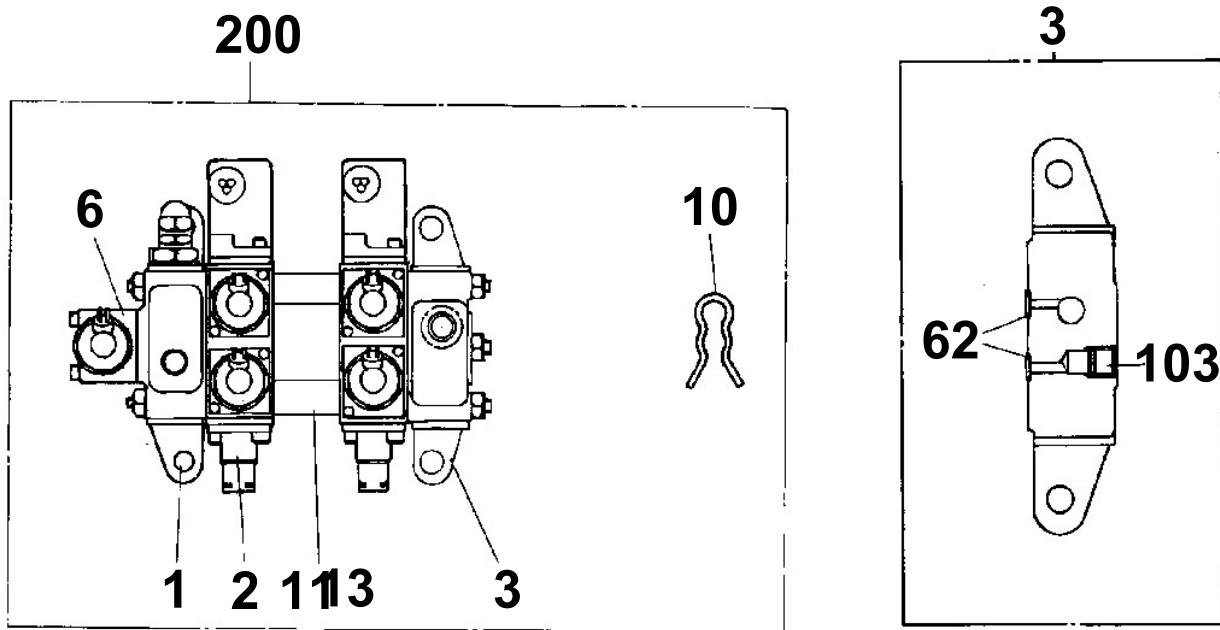
30



2



AC-120-1-80201 3 BOOM,CRAWLER TYPE
PI1310004-00 CYLINDER,SERVO



AC-120-1-80201 3 BOOM,CRAWLER TYPE

Pos No.	Parts No	Parts Name	Qty	Unit	Technical Data	Serial No (Start)	Serial No (End)	Remarks	Pages
1	44440160010	GUARD	2						
2	44440160020	GUARD	2						
3	44440160030	SUPPORT	2						
4	44440160040	PIPE	2						
5	37000105450	PIN	4						
6	90303071201	WASHER,PLAIN	8		12				
7	80136332025	PIN,SPLIT	8		3.2X25				

AC-120-1-80201 3 BOOM,CRAWLER TYPE

Pos No.	Parts No	Parts Name	Qty	Unit	Technical Data	Serial No (Start)	Serial No (End)	Remarks	Pages
1	90103520045	BOLT	1		M20X45				
2	90302042001	WASHER,SPRING	1		20				
3	37000507730	PLATE	1						
4	37000112680	PIN	1						
5	37000154210	PIN	1			095101			
	37000112150	PIN	1				095100		
6	37000151740	PIN	1						
7	37000150020	PIN	2						
8	90191512030	BOLT	8		M12X30				
9	90302041201	WASHER,SPRING	8		12				
10	37000509190	PLATE	4				095048		
	37000509190	PLATE	5			095049			
11	37000505950	PLATE	1		T=3.2				
12	90101510022	BOLT	3		M10X22				
13	90302041001	WASHER,SPRING	3		10				
14	37000507550	PLATE	1						
15	37000507540	PLATE	1						
16	37000507560	PLATE	1						
17	37000548560	PLATE	4						
18	37000548570	PLATE	4						
19	44230072100	SUPPORT	1				095048		
	44230072101	SUPPORT	1			095049			
20	37000150010	PIN	1						
21	37000548660	PLATE	8			095312			
	37000548660	PLATE	5				095311		
22	44230072200	SUPPORT	1						
25	44230071000	TABLE,SLEWING	1				095100		
26	44230071001	TABLE,SLEWING	1			095101			
	44230072300	SUPPORT	2						
27	44230072400	GUIDE	1				095038		
	44230072500	GUIDE	1			095039			
28	37000551660	PLATE	1			095049			

AC-120-1-80201 3 BOOM,CRAWLER TYPE

Pos No.	Parts No	Parts Name	Qty	Unit	Technical Data	Serial No (Start)	Serial No (End)	Remarks	Pages
1	90101208012	BOLT	3		M8X12				
2	90302040801	WASHER,SPRING	3		8				
3	82100000801	GROMMET	2						
4	82100002286	CONNECTOR	1						
5	82100002330	PLUG	2						
6	82100000969	PLUG	6						
7	44260280070	COVER	2						
8	80172305010	SCREW,MACHINE	8		M5X10				
9	90302040501	WASHER,SPRING	8		5				
10	90201200500	NUT	8		M5				
11	82100002285	CONNECTOR	1						

AC-120-1-80201 3 BOOM,CRAWLER TYPE

Pos No.	Parts No	Parts Name	Qty	Unit	Technical Data	Serial No (Start)	Serial No (End)	Remarks	Pages
1	44330080800	SUPPORT	1						
2	82100001799	SOLENOID	3						
4	37001705380	CABLE,CONTROL	3						
5	44330081000	LINK	1						
6	44330080700	COVER	1						
7	44330080600	SUPPORT	1						
8	44330081100	LINK	1						
9	90101208012	BOLT	3		M8X12				
10	90302040801	WASHER,SPRING	11		8				
11	90201200800	NUT	8		M8				
12	37000105720	PIN	3						
13	80136320010	PIN,SPLIT	6		2X10				
14	90303070601	WASHER,PLAIN	6		6				
15	42710150200	PIN	3						
16	90101206016	BOLT	1		M6X16				
17	90201200600	NUT	1		M6				
18	90302040601	WASHER,SPRING	1		6				
19	90101204016	BOLT	1		M4X16				
20	90201200400	NUT	1		M4				
21	90302040401	WASHER,SPRING	1		4				
22	44330081200	COVER	1						
23	90101208025	BOLT	8		M8X25				
24	42800040030	HARNESS	3						000041
25	90915040105	SCREW,TAPPING	4		M4X10				
26	90303070801	WASHER,PLAIN	2		8				
27	44330081300	SUPPORT	1						
28	82100001411	TUBE,SPIRAL	1		SE-08BK				
29	91800000003	FASTENER	3						

AC-120-1-80201 3 BOOM,CRAWLER TYPE

Pos No.	Parts No	Parts Name	Qty	Unit	Technical Data	Serial No (Start)	Serial No (End)	Remarks	Page
1	44430255010	CABLE ASSY	1						
2	91800000003	FASTENER	10						
3	44430255020	CABLE ASSY	1						
4	44430255040	HARNES	1						
5	90101208014	BOLT	1		M8X14				
6	90302040801	WASHER,SPRING	2		8				
7	90303070801	WASHER,PLAIN	1		8				
8	42802170030	CABLE ASSY	1		L=250				
9	37000705930	CLAMP ASSY	2		D=12				
10	82100001803	TUBE,CORRUGATE	8	M	13				
11	90101208040	BOLT	1		M8X40				
12	90201200800	NUT	1		M8				
13	37000600120	CLAMP	1		WR45				
14	90101206016	BOLT	1		M6X16				
15	90201200600	NUT	1		M6				
16	90302040601	WASHER,SPRING	1		6				
17	90303070601	WASHER,PLAIN	1		6				

AC-120-1-80201 3 BOOM,CRAWLER TYPE

Pos No.	Parts No	Parts Name	Qty	Unit	Technical Data	Serial No (Start)	Serial No (End)	Remarks	Pages
1	82100002135	CONNECTOR	2						
2	80175805020	SCREW,MACHINE	8		M5X20				
3	44430260010	COVER	2						
4	44430260030	HARNESS	1						
5	44430260040	HARNESS	1						

CLICK HERE TO **DOWNLOAD** THE COMPLETE MANUAL

- Thank you very much for reading the preview of the manual.
- You can download the complete manual from: www.heydownloads.com by clicking the link below



- Please note: If there is no response to CLICKING the link, please download this PDF first and then click on it.

CLICK HERE TO **DOWNLOAD** THE COMPLETE MANUAL