

LS-1800-2-42423 UPPER,LOWER ISUZU PKG-NPR75N-HN5AY

PD2000157-00 SWING UNIT

PG2000178-03 BOOM UNIT

PH1000550-00 SAFETY DEVICES (MOTION CONTROLLER)

PK2000665-01 FRAME UNIT

PN2000011-00 LIGHTING UNIT

PO1000154-00 INDICATION PLATES

PW1000109-01 ACCESSORIES & TOOLS

PX2001289-00 CARRIER UNIT

PX3000683-00 MOUNTING UNIT

PY1001296-00 OPTIONS,1

ASSEMBLY

CLICK HERE TO **DOWNLOAD** THE COMPLETE MANUAL

- Thank you very much for reading the preview of the manual.
- You can download the complete manual from: www.heydownloads.com by clicking the link below



- Please note: If there is no response to CLICKING the link, please download this PDF first and then click on it.

CLICK HERE TO **DOWNLOAD** THE COMPLETE MANUAL

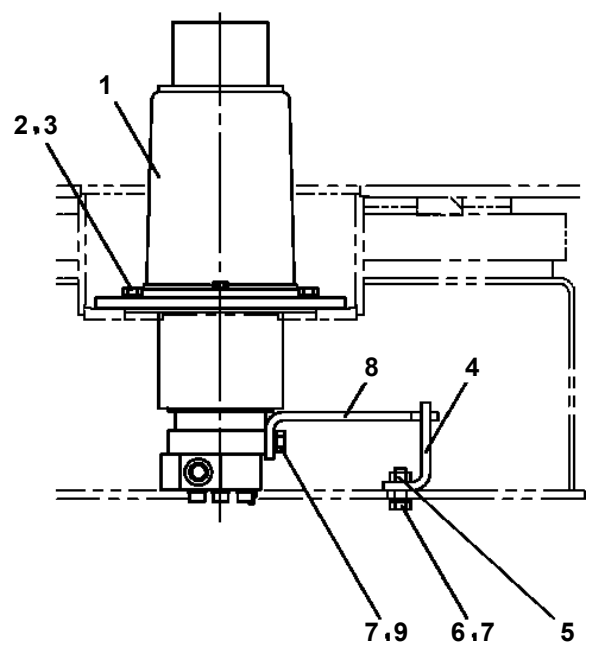
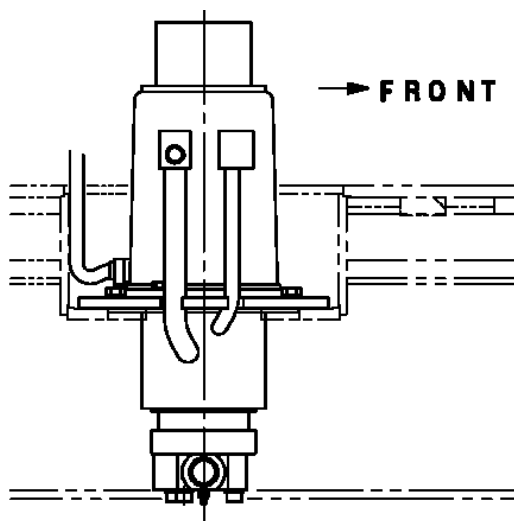
LS-1800-2-42423 UPPER,LOWER ISUZU PKG-NPR75N-HN5AY

Pos No.	Parts No	Parts Name	Qty	Unit	Technical Data	Serial No (Start)	Serial No (End)	Remarks	Pages
1	(***** *****)	LAMP ASSY (TILT)	1				HD0322		000117
	(***** *****)	LAMP ASSY	1			HD0323			000118

LS-1800-2-42423 UPPER,LOWER ISUZU PKG-NPR75N-HN5AY

Pos No.	Parts No	Parts Name	Qty	Unit	Technical Data	Serial No (Start)	Serial No
1	(*****)	ELEC.ASSY (ANEMOMETER)	1				
2	(*****)	ANEMOMETER INSTALLATION (BOOM HEAD)	1				
3	(*****)	BOX,TOOL	1				

LS-1800-2-42423 UPPER,LOWER ISUZU PKG-NPR75N-HN5AY
PB1300285-00 JOINT,ROTARY (MOUNT)



LS-1800-2-42423 UPPER,LOWER ISUZU PKG-NPR75N-HN5AY

Pos No.	Parts No	Parts Name	Qty	Unit	Technical Data	Serial No (Start)	Serial No (End)	Remarks	P
1	37000714180	CLAMP ASSY	1						
2	(*****)	VALVE,CONTROL	1						00
3	37002443990	HOSE	1		L=1900				
4	37002477860	HOSE	1		L=1950				
5	37000909290	JOINT	1						
6	80430620400	JOINT	2						
9	91810132530	FASTENER	10						
10	80471020504	JOINT	1		HL205-04				
11	91002801800	O-RING	2		1B P18				
12	37002483320	HOSE	1		L=500				
13	80316070080	PLUG	1		PF1/2				
14	82100001412	TUBE, SPIRAL	2	M	SE-12BK				
15	82400000205	GROMMET	2						
16	82100001411	TUBE, SPIRAL	1	M	SE-08BK				
17	37002413180	HOSE	1		L=500				
18	89640202000	HOSE	1						
19	90101210040	BOLT	4		M10X40				
21	37002477560	HOSE	1		L=1820				
22	37000900750	JOINT	1		L,R1/4-G3/8				
23	37002472220	HOSE	1		L=1830				
24	80441030604	FITTING, ELBOW	2						
25	37000908730	JOINT (WITH O-RING)	2		L,G3/8-G1/4				
26	37002451970	HOSE	1		L=1250				
27	80316070060	PLUG	2		PF3/8				
28	91002801400	O-RING	3		1B P14				
29	90302041001	WASHER, SPRING	6		10				
30	37002475250	HOSE	1		L=1970				
31	37002440310	HOSE	1		L=1950				
32	80471020503	JOINT	1		45,G3/8-G3/8				
33	37000714020	CLAMP ASSY	1		12X2				
35	90101210065	BOLT	2		M10X65				
36	37002487420	HOSE	1		L=510				
37	37002434830	HOSE	1		L=380				
39	37002408420	HOSE	1		L=375				
40	37002474070	HOSE	1		L=1580 TO 1620				
41	37002468050	HOSE	1		L=1750				
61	37000605400	CLAMP	1						
62	37000605410	CUSHION	2						
63	90101208045	BOLT	3		M8X45				
64	90302040801	WASHER, SPRING	3		8				
71	91002801100	O-RING	8		1B P11				
81	91002801400	O-RING	2		1B P14				
91	36625000000	VALVE ASSY,CHECK	1						00
92	80400160127	JOINT	4						

LS-1800-2-42423 UPPER,LOWER ISUZU PKG-NPR75N-HN5AY

Pos No.	Parts No	Parts Name	Qty	Unit	Technical Data	Serial No (Start)	Serial No (End)	R
1	42614635000	CASE,INNER	1					
2	42613661200	CASE,INNER	1					
4	36035400000	CYLINDER,JACK	1					
5	42612851400	FLOAT ASSY	1					
6	37000184210	PIN	1		25			
7	80601110250	RING,RITAINING	1		S25			
8	37000169010	PIN	1		30			
9	80601110300	RING,RITAINING	2		S30			
10	36625740001	VALVE,CHECK	1					
11	90171108055	BOLT	4		M8X55			
12	37000138750	PIN	1		18			
13	80136332036	PIN,SPLIT	2		3.2X36			
14	80400160127	JOINT	1					
15	91002801100	O-RING	1		1B P11			
16	36672460000	FILTER (NIPPLE TYPE)	1					
17	42613611010	COVER	1					
18	90186206014	BOLT,FLANGE	2		M6X14			
19	37000582990	PLATE	N		T=1.0			
20	91810130240	FASTENER	2					
21	37000184220	PIN	2		12			
22	80601110120	RING,RITAINING	4		S12			
23	90280200600	NUT,FLANGE	1		M6			
24	37000600700	CLAMP	1		12X3			
41	36043350000	CYLINDER,EXTENSION	1					
42	80400160127	JOINT	2					
43	91002801100	O-RING	3		1B P11			
44	37002468200	HOSE	1		L=1970			
45	42612861350	HARNESS	1					
	42614061350	HARNESS	1			HD0255		HD0254
46	91810130250	FASTENER	15					
51	42612851420	TRUNNION	1					
100	42614631001	OUTRIGGER (CASE,INNER/REAR)	1					

LS-1800-2-42423 UPPER,LOWER ISUZU PKG-NPR75N-HN5AY

Pos No.	Parts No	Parts Name	Qty	Unit	Technical Data	Serial No (Start)	Serial No (End)
1	36634190000	VALVE,MANUAL CONTROL (OUTRIGGER)	1				
2	90101208025	BOLT	3		M8X25		
3	90302040801	WASHER,SPRING	7		8		
4	37000105610	PIN	20		L=18		
6	80136320010	PIN,SPLIT	20		2X10		
7	42700010010	LINK	5				
8	42700010050	LINK	5				
9	31320020020	KNOB (RED)	1				
10	31320020010	KNOB (BLACK)	4				
11	90101208016	BOLT	4		M8X16		
12	32700007500	LEVEL	1				
13	42700611000	LEVER ASSY	1				
16	80456950401	JOINT,SELF SEALING (COUPLER)	1				
41	90101208012	BOLT	1		M8X12		
42	90302040801	WASHER,SPRING	1		8		
43	37000176740	PIN	1				
44	42700010301	SUPPORT	1				
45	42700010100	LEVER	1				
46	42700010150	LEVER	1				
47	42700010180	LEVER	1				
48	42700010210	LEVER	1				
49	42700010240	LEVER	1				
50	42700010360	SPACER	1		L=46		

LS-1800-2-42423 UPPER,LOWER ISUZU PKG-NPR75N-HN5AY

Pos No.	Parts No	Parts Name	Qty	Unit	Technical Data	Serial No (Start)	Serial No (End)	R
1	36132155010	PLATE (BASE)	1					
2	36132155020	CASE	1					
3	36132155030	COVER	1					
8	36132155080	BRACKET	1					
9	36131805010	PACKING	1					
10	36131745010	POTENTIOMETER	1					
11	36132155090	GEAR	1					
12	36132155100	GEAR	1					
13	36132155110	WIRE ASSY	1					
14	36132155120	CORD ASSY	1					
51	36132155140	SPRING ASSY	1					
100	36132150000	DETECTOR,OUTRIGGER LENGTH	1					

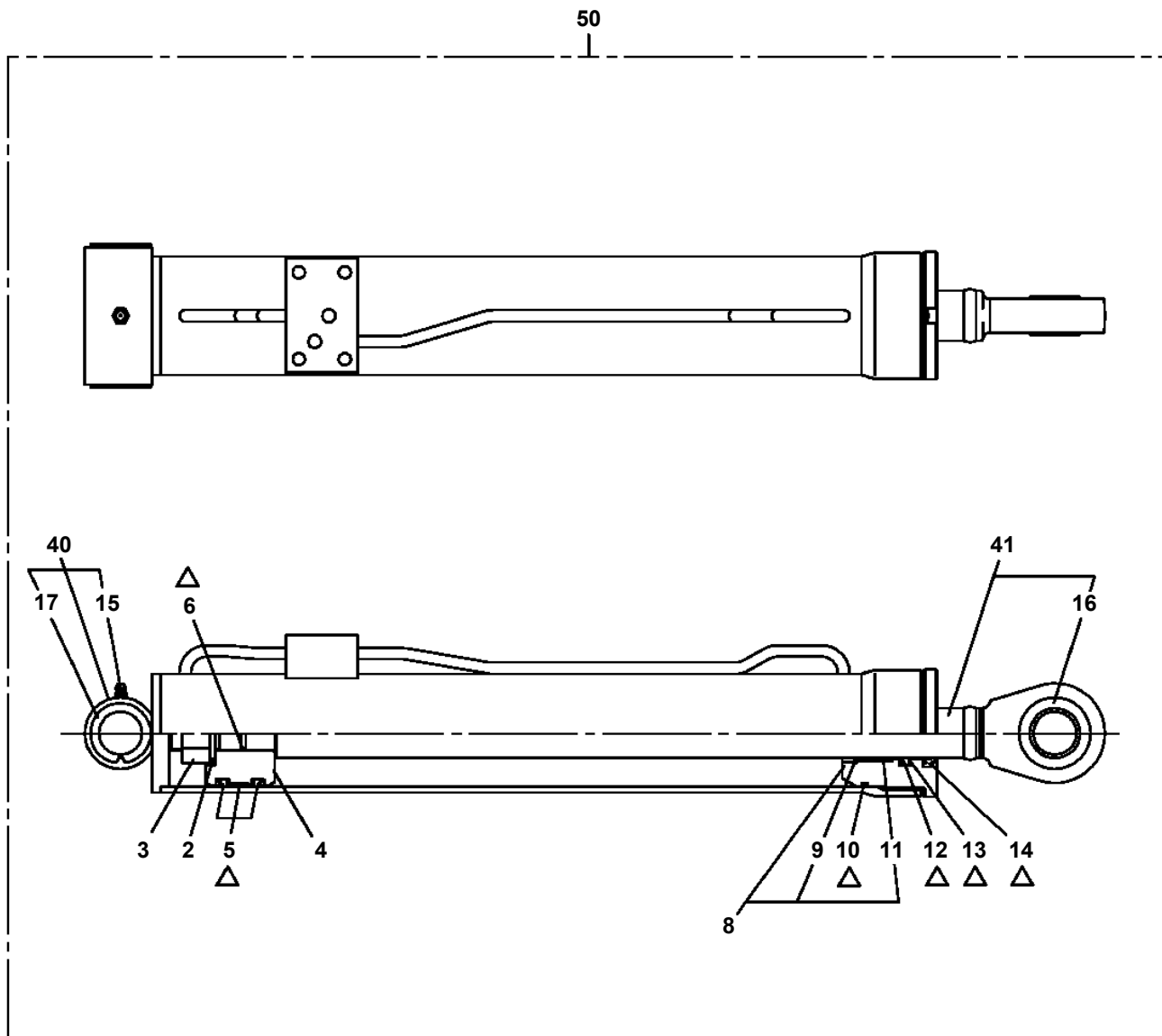
LS-1800-2-42423 UPPER,LOWER ISUZU PKG-NPR75N-HN5AY

Pos No.	Parts No	Parts Name	Qty	Unit	Technical Data	Serial No (Start)	Serial No (End)	Remarks	Pages
1	42272580100	COVER	1						
2	42272580200	COVER	1						
3	42272580301	COVER	1						
5	90101208016	BOLT	12		M8X16	HD0317			
6	90303070801	WASHER,PLAIN	12		8	HD0317			
7	90302040801	WASHER,SPRING	12		8	HD0317			
8	82121800010	PLUG (OTUKA)	2			HD0317			

LS-1800-2-42423 UPPER,LOWER ISUZU PKG-NPR75N-HN5AY

Pos No.	Parts No	Parts Name	Qty	Unit	Technical Data	Serial No (Start)	Serial No (End)
2	36080900000	REDUCER,SWING SPEED	1				
3	90101516065	BOLT	3		M16X65		
4	90303071601	WASHER,PLAIN	3		16		
5	90201701600	NUT	3		M16		
6	90302041601	WASHER,SPRING	3		16		
7	90710012400	SCREW,SET	2		M12X40		
8	90203201200	NUT	2		M12		
9	90131512035	BOLT,HEXAGON SOCKET	2		M12X35		
10	36662590000	MOTOR,HYDRAULIC (SWING)	1				HD0250
	36664070000	MOTOR,OIL	1			HD0251	
11	90302041201	WASHER,SPRING	2		12		
21	37002302450	BEARING,SWING (NSK)	1				
22	37002303560	BEARING,SWING (NIHON MONORACE)	1				
23	37002304750	BEARING,SWING (KOYO)	1				
31	37002399010	SEAL (UP,DOWN-SIDE SET)	1				
32	82456201000	NIPPLE,GREASE	6		A-TYPE PT1/8		

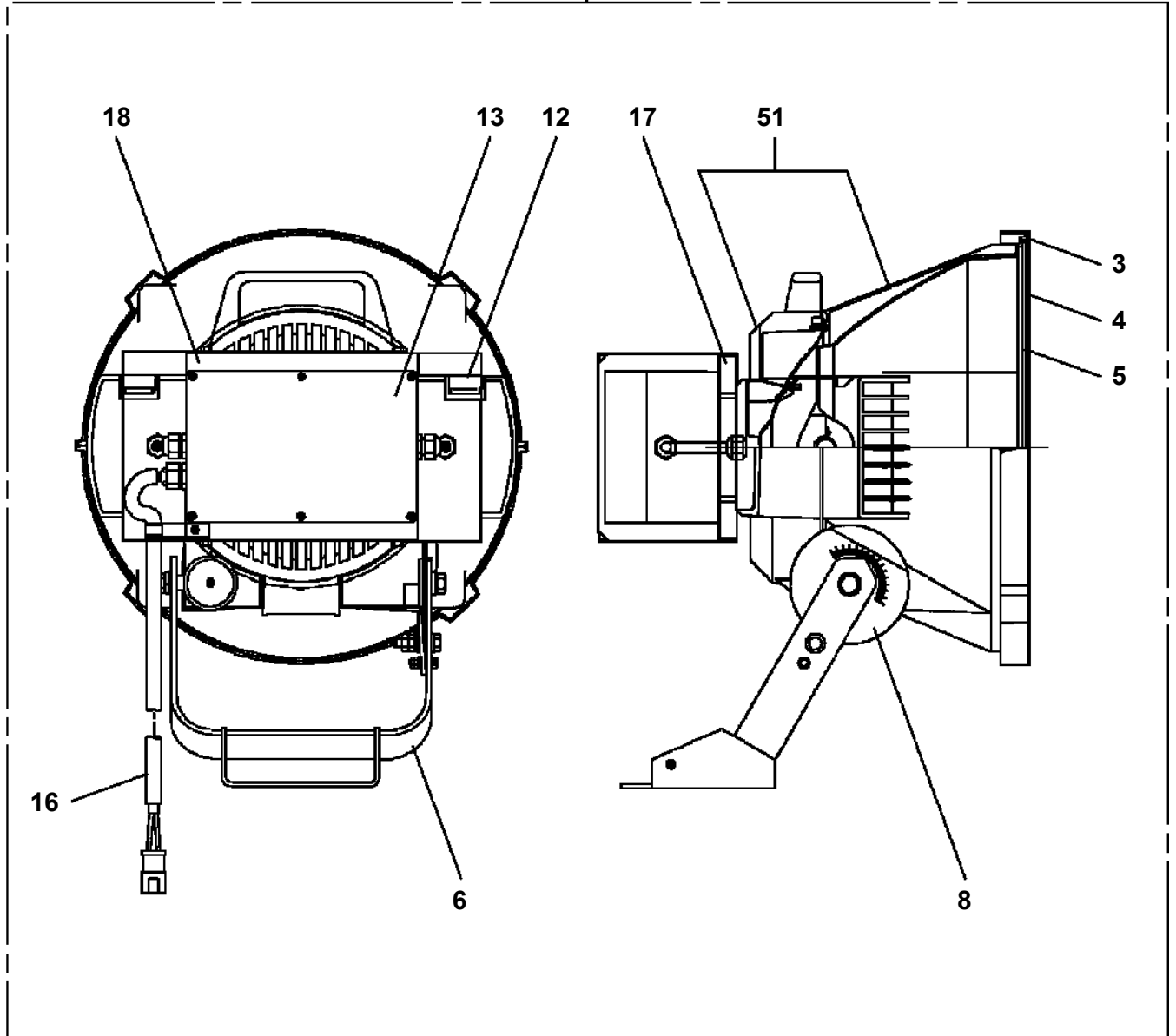
LS-1800-2-42423 UPPER,LOWER ISUZU PKG-NPR75N-HN5AY
PE1390002-03 CYLINDER,TILT



Δ:PACKING SET KEY NO.60 (KEY NO.5,6,10,12,13,14)

LS-1800-2-42423 UPPER,LOWER ISUZU PKG-NPR75N-HN5AY
PF5130001-00 FLOOD LIGHT

100



LS-1800-2-42423 UPPER,LOWER ISUZU PKG-NPR75N-HN5AY

Pos No.	Parts No	Parts Name	Qty	Unit	Technical Data	Serial No (Start)	Serial No (End)	Remarks	Pages
1	42220511000	JIB ASSY	1						
2	42220020010	PIN	2						
3	36090020120	PLATE	3						
4	90171112020	BOLT	9		M12X20				
5	90302041201	WASHER,SPRING	9		12				
6	42220430100	LINK	1						
7	42220430200	LINK	1						
8	42220430300	LINK	1						
9	42220430400	LINK	1						
10	37000147620	PIN	1						
11	42220020190	PIN	1						
12	82456101000	NIPPLE,GREASE	2		A-PT1/8				
13	37000526950	PLATE	1						
14	90171110016	BOLT	2		M10X16				
15	90302041001	WASHER,SPRING	2		10				
16	37000170640	PIN	1						
17	42260010200	WASHER	1						
18	90171112040	BOLT	1		M12X40				
19	80601110450	RING,RITAINING	1		S45				
20	82455106000	NIPPLE,GREASE	1		A-M6F FE				
54	80801004550	BEARING,PLAIN	6						
61	80801003030	BEARING,PLAIN	4						
62	90190000008	BOLT,STUD	6		M6X20				
63	42220513300	SUPPORT	1						
65	42220513400	SUPPORT	1						
66	42220513200	SUPPORT	1						
67	82400000203	GROMMET	3		L=250				
68	82400000204	GROMMET	5		L=320				
69	37000512530	PLATE	1						
70	42220433070	PLATE	1						
71	42220433080	PLATE	1						
72	42220513100	SUPPORT	1						

LS-1800-2-42423 UPPER,LOWER ISUZU PKG-NPR75N-HN5AY

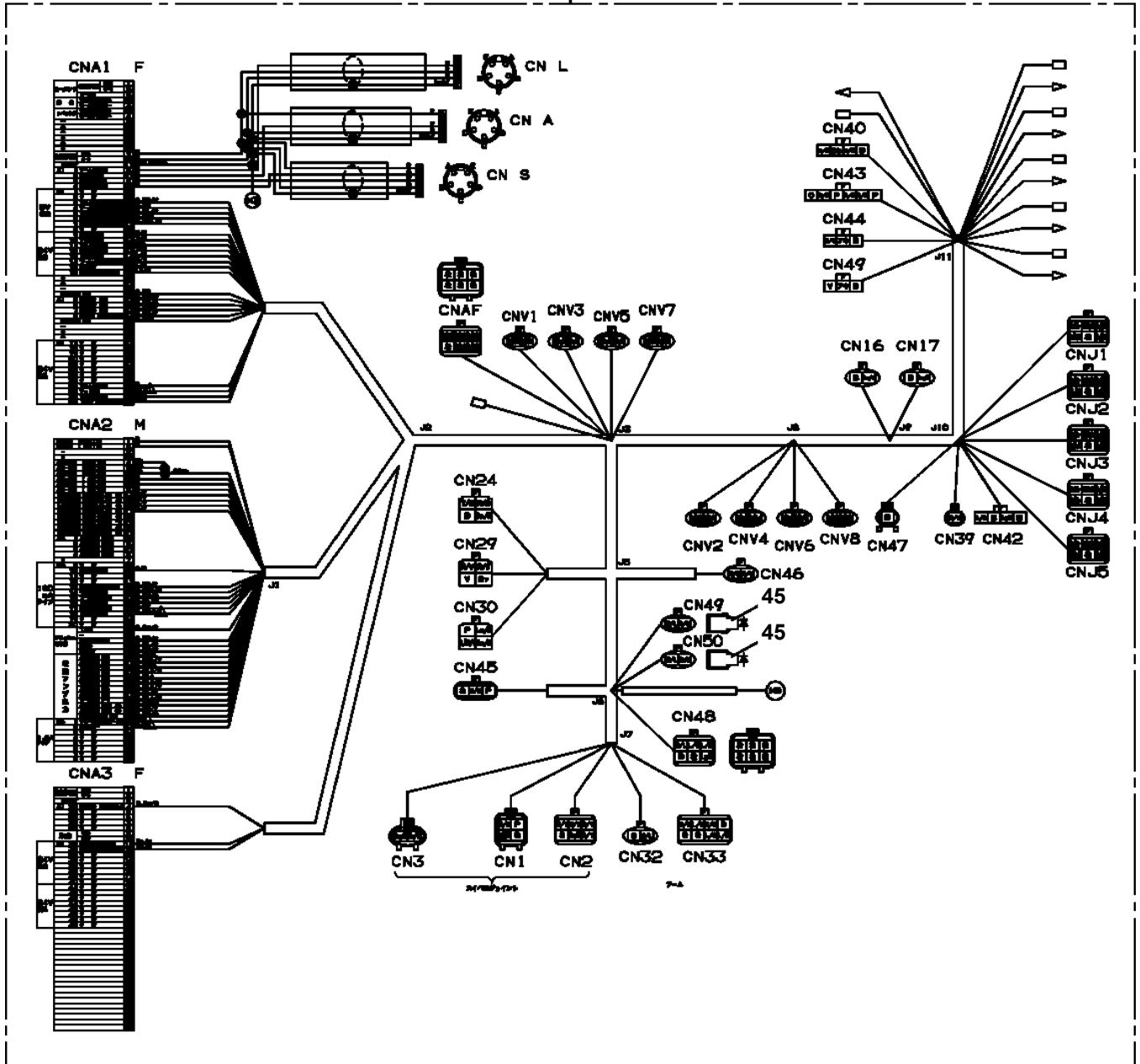
Pos No.	Parts No	Parts Name	Qty	Unit	Technical Data	Serial No (Start)	Serial No (End)	Remarks	Pages
1	42271530100	COVER	1						
2	90101208016	BOLT	17		M8X16				
3	90302040801	WASHER,SPRING	12		8				
4	90303070801	WASHER,PLAIN	10		8				
5	90201200800	NUT	5		M8				
6	42340042050	BLADE	1						
7	42340042060	PLATE	1						
8	42340042010	COVER	1						
9	82400000200	GROMMET	1		KG-012,L=250				
20	42340048010	COVER ASSY	1						
21	90101208020	BOLT	5		M8X20				
23	90302040801	WASHER,SPRING	5		8				

LS-1800-2-42423 UPPER,LOWER ISUZU PKG-NPR75N-HN5AY

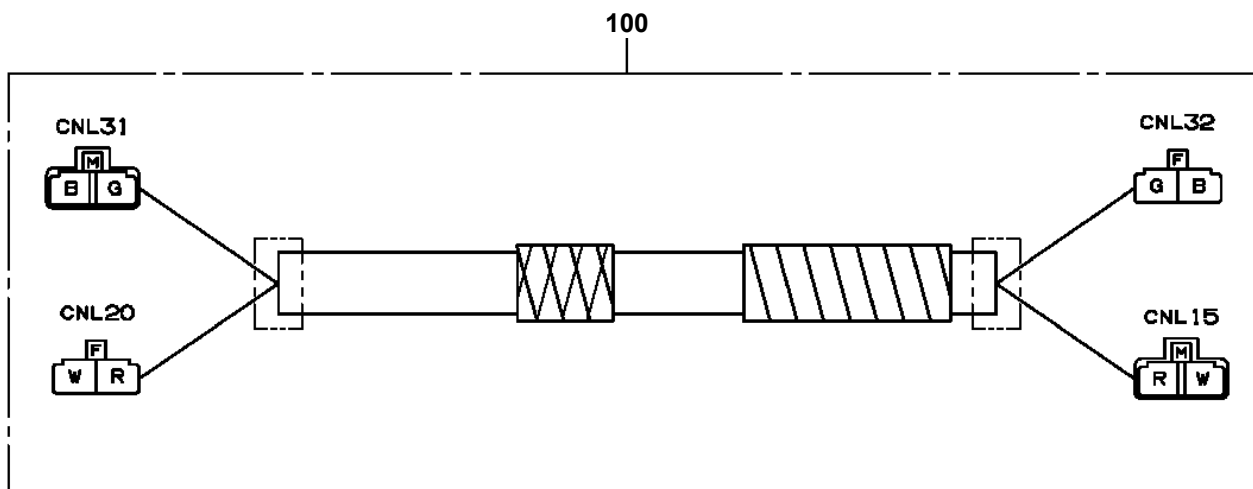
Pos No.	Parts No	Parts Name	Qty	Unit	Technical Data	Serial No (Start)	Serial No (End)	Remarks	Pages
1	42775892101	GUARD,SIDE	1						
2	42775213201	COVER	1						
3	82400000313	HINGE	2						
4	80172805014	SCREW,MACHINE	4		M5X14				
5	90201500500	NUT	4		M5				
6	90302510501	WASHER,SPRING	8		5				
7	80175805010	SCREW,MACHINE	6		M5X10				
8	82466101222	CATCH	1						
9	80175803006	SCREW,MACHINE	4		M3X6				
10	82466188304	LOCK	1						
11	80172805008	SCREW,MACHINE	4		M5X8				
100	42775892001	GUARD ASSY,SIDE	1						

LS-1800-2-42423 UPPER,LOWER ISUZU PKG-NPR75N-HN5AY
PH5030933-00 HARNESS

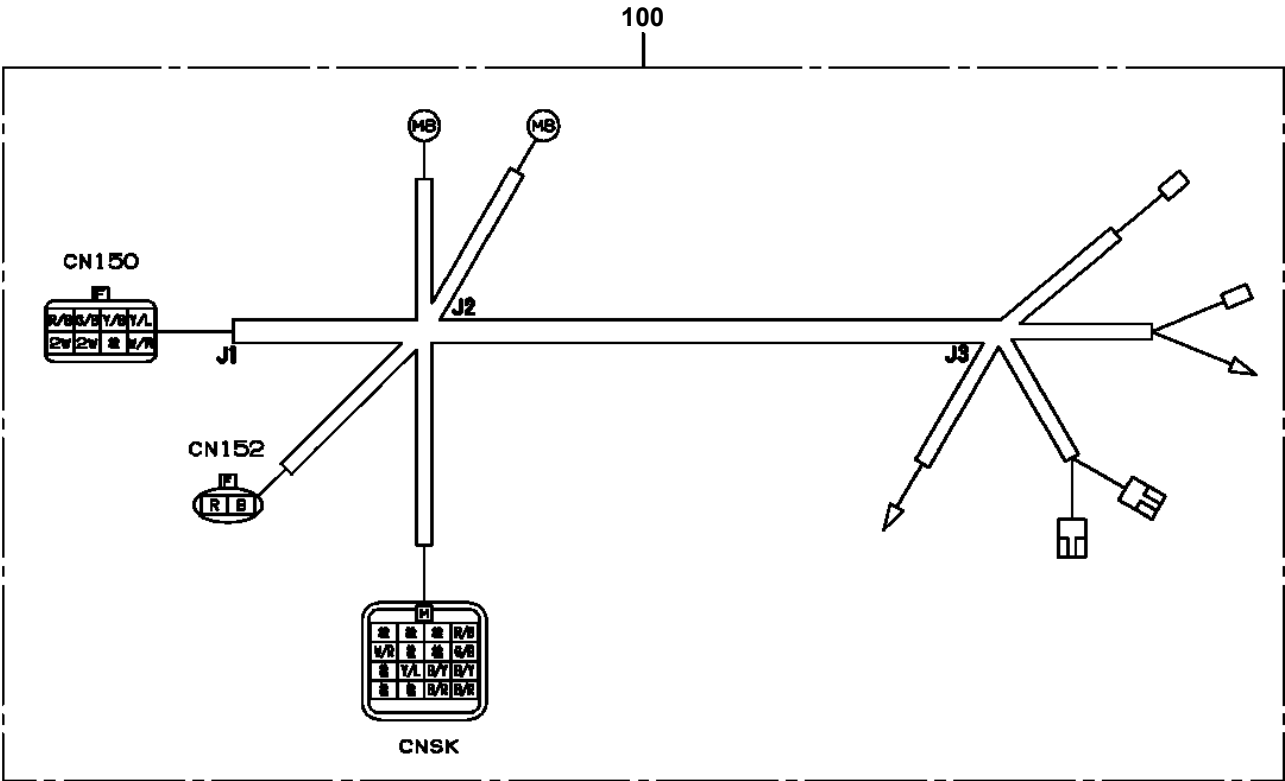
100



LS-1800-2-42423 UPPER,LOWER ISUZU PKG-NPR75N-HN5AY
PH5030940-00 HARNESS



LS-1800-2-42423 UPPER,LOWER ISUZU PKG-NPR75N-HN5AY
 PH5030946-00 HARNESS



CLICK HERE TO **DOWNLOAD** THE COMPLETE MANUAL

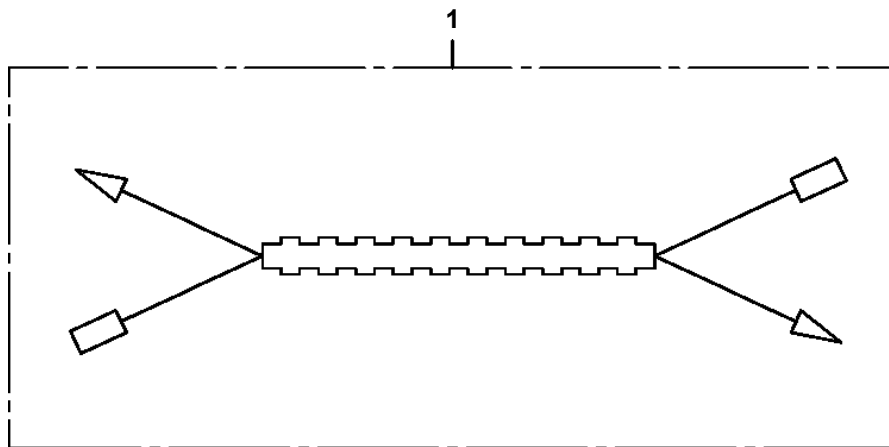
- Thank you very much for reading the preview of the manual.
- You can download the complete manual from: www.heydownloads.com by clicking the link below



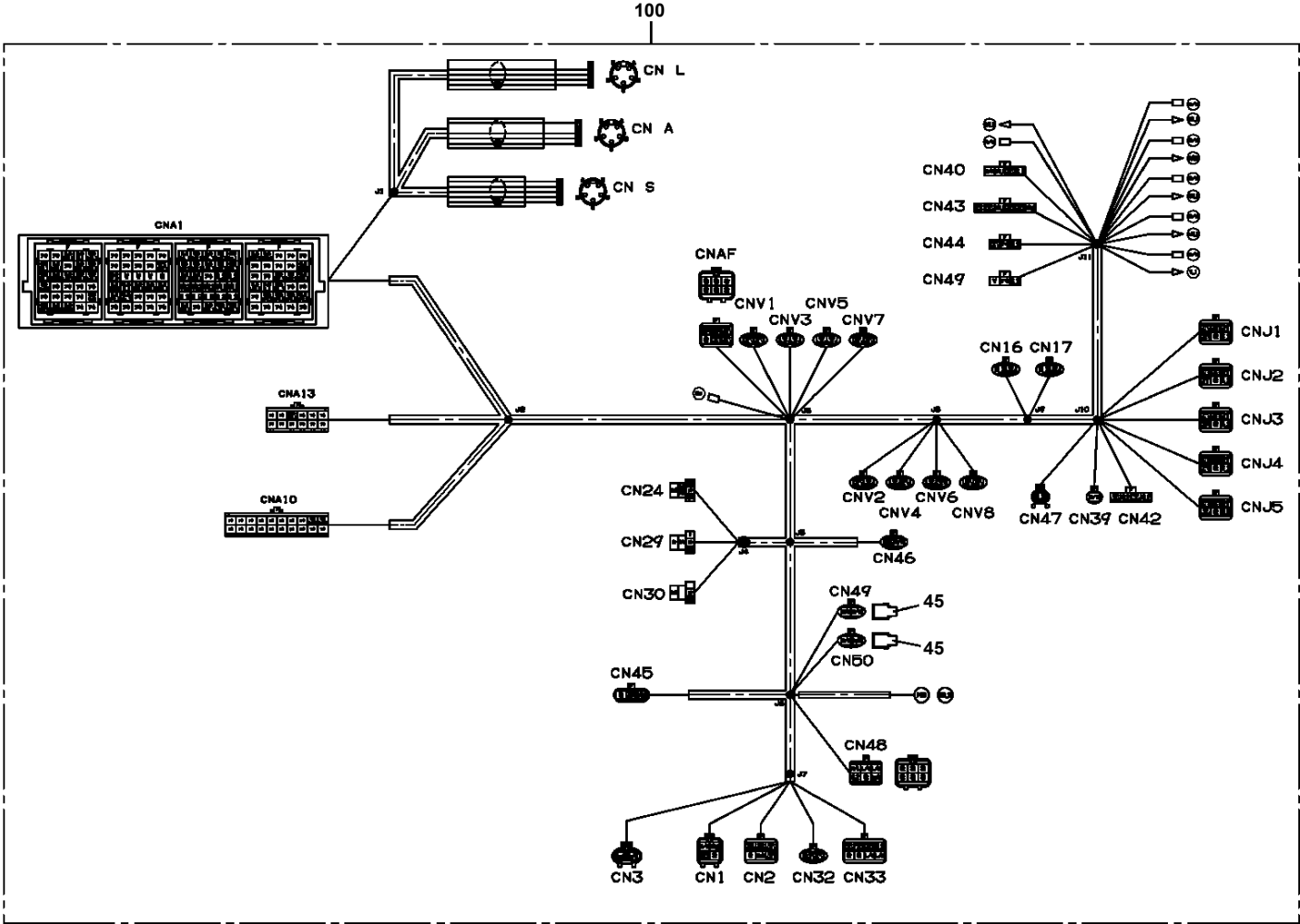
- Please note: If there is no response to CLICKING the link, please download this PDF first and then click on it.

CLICK HERE TO **DOWNLOAD** THE COMPLETE MANUAL

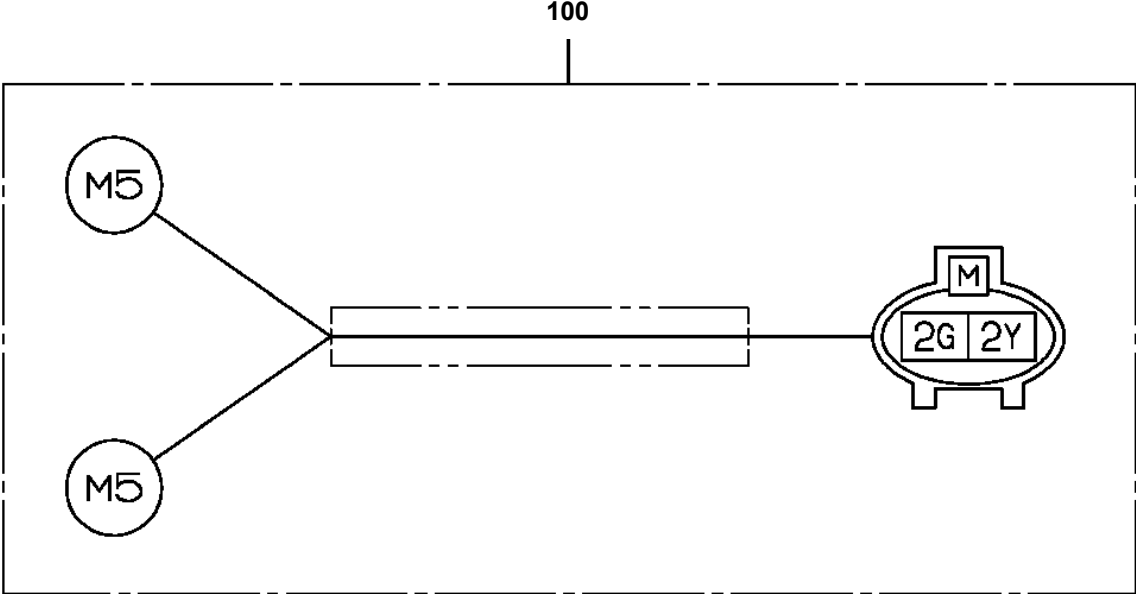
LS-1800-2-42423 UPPER,LOWER ISUZU PKG-NPR75N-HN5AY
PH5031325-00 HARNESS



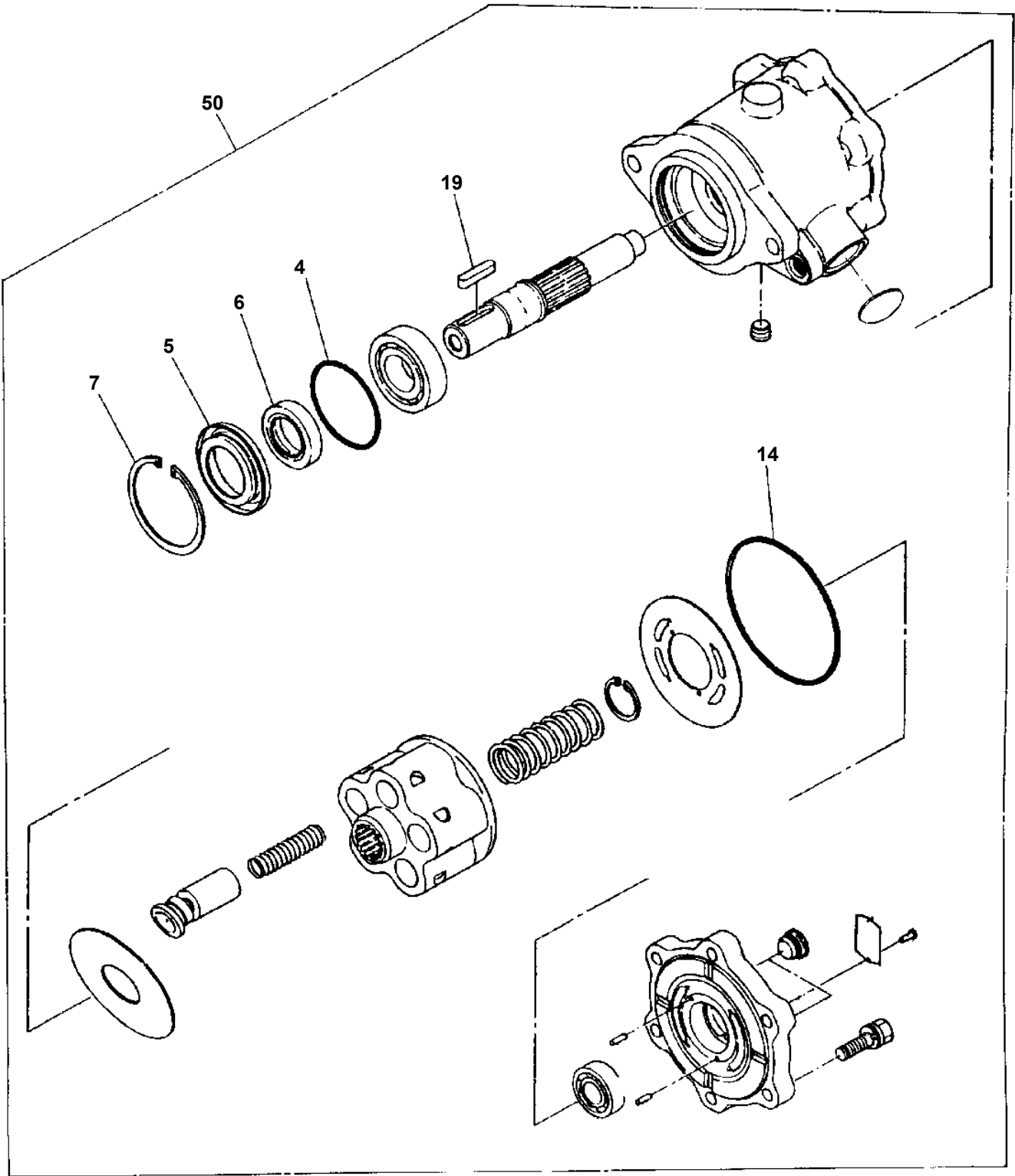
LS-1800-2-42423 UPPER,LOWER ISUZU PKG-NPR75N-HN5AY
 PH5032836-01 HARNESS



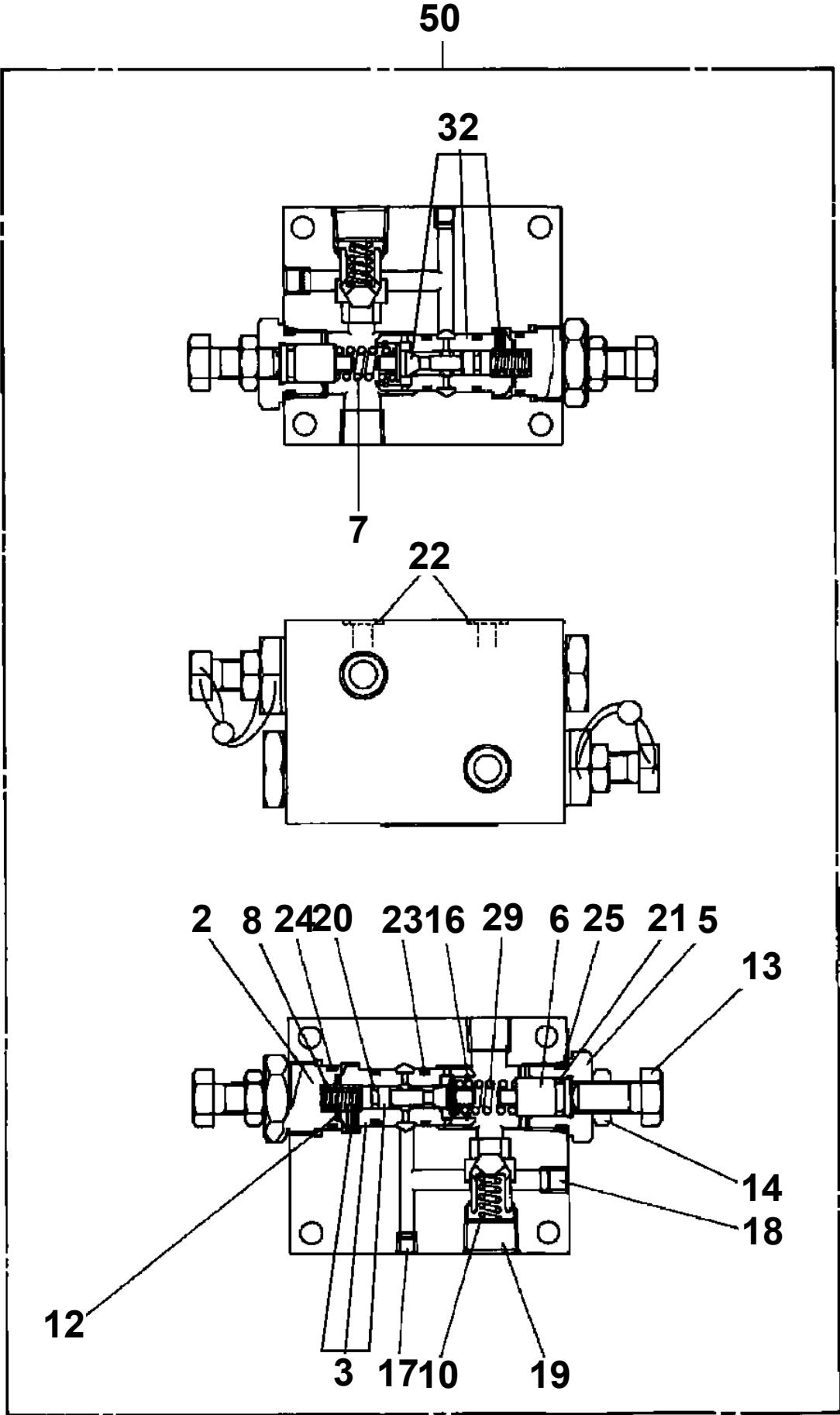
LS-1800-2-42423 UPPER,LOWER ISUZU PKG-NPR75N-HN5AY
PH5034450-00 HARNESS



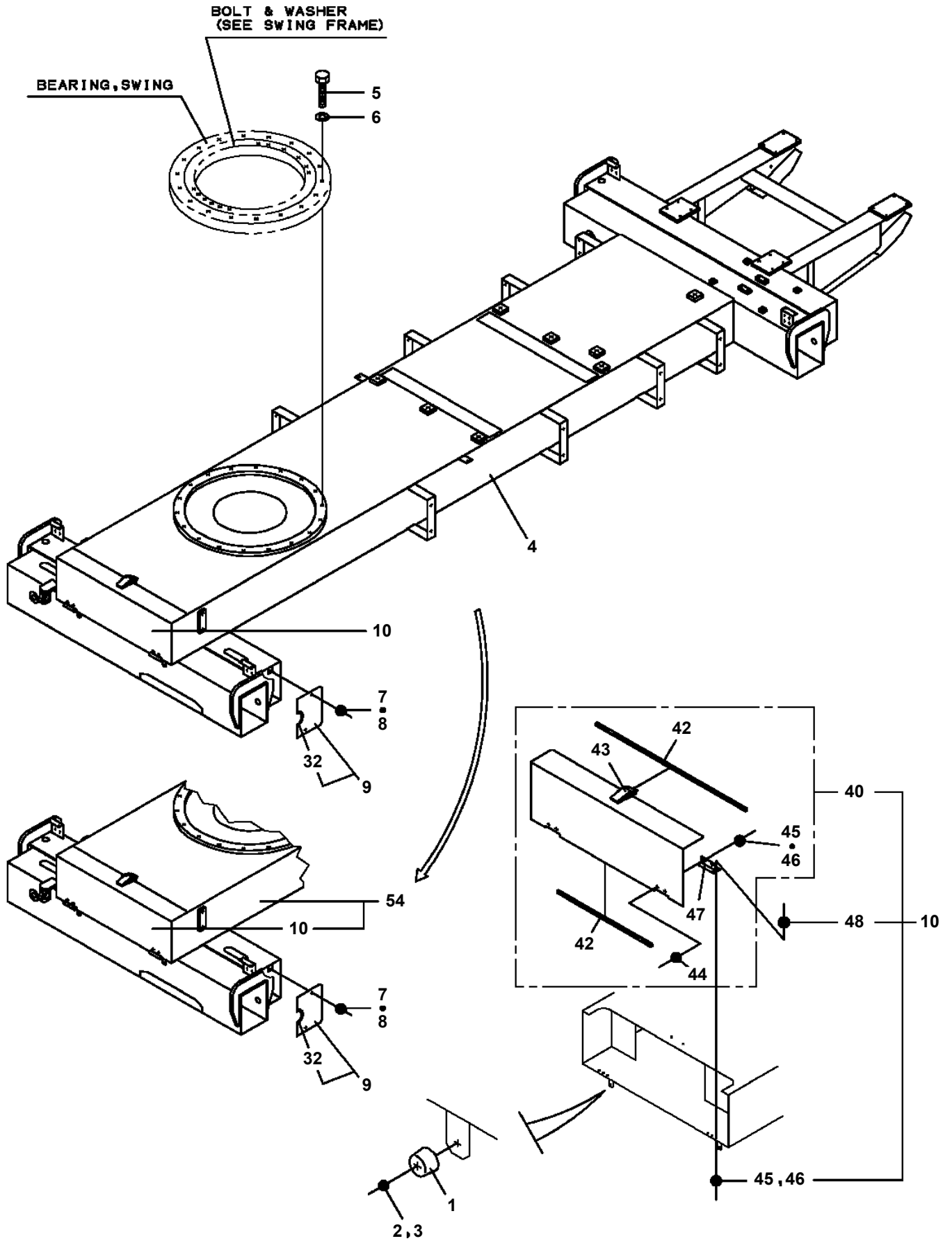
LS-1800-2-42423 UPPER,LOWER ISUZU PKG-NPR75N-HN5AY
PI1010074-00 MOTOR,HYDRAULIC (SWING)



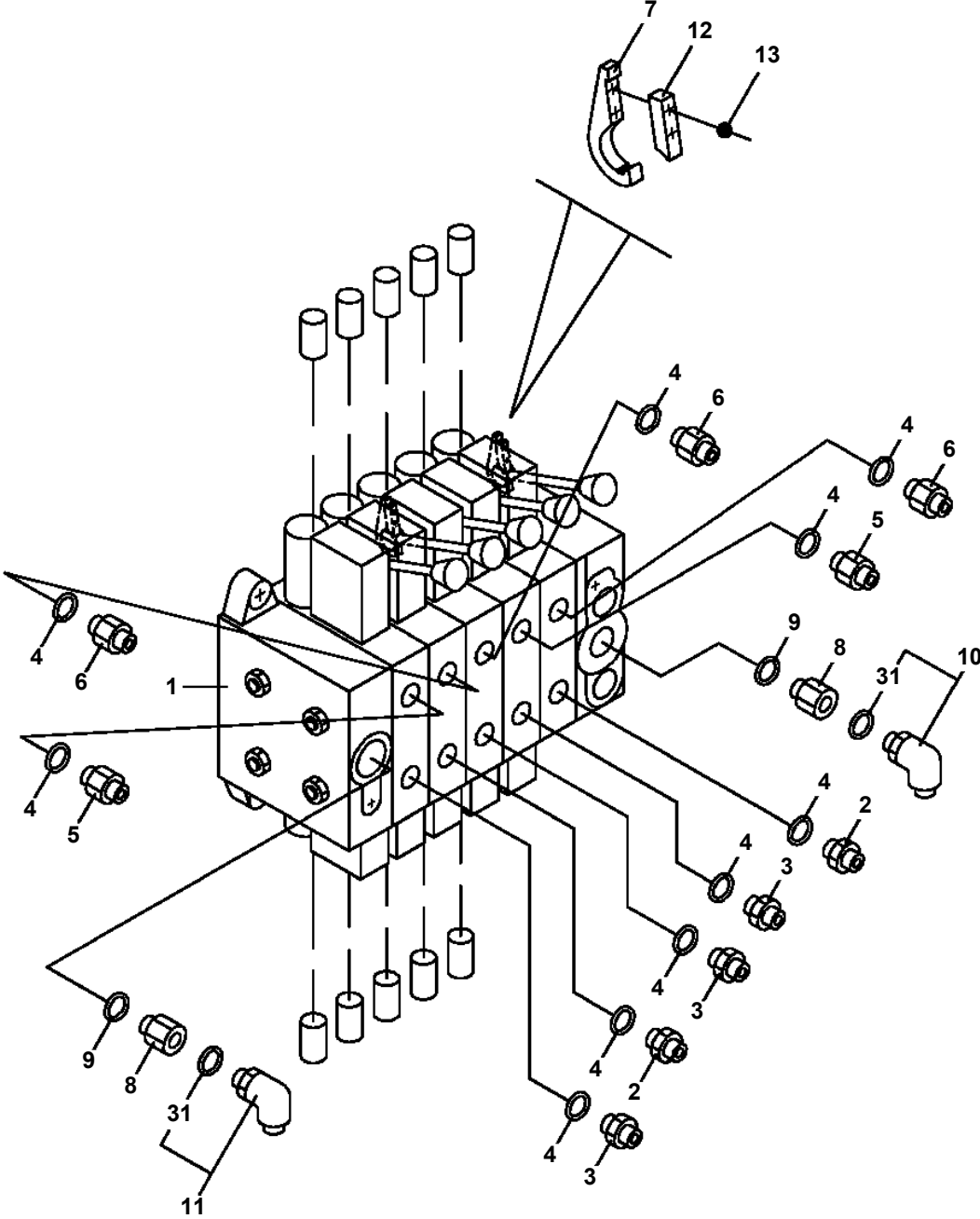
LS-1800-2-42423 UPPER,LOWER ISUZU PKG-NPR75N-HN5AY
PI1250006-03 VALVE,COUNTERBALANCE



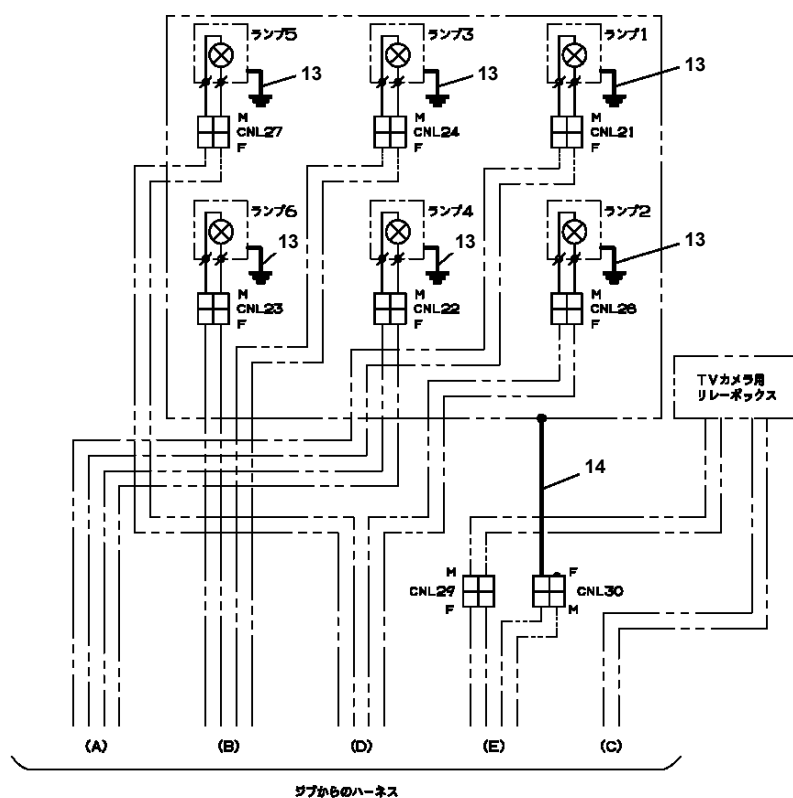
LS-1800-2-42423 UPPER, LOWER ISUZU PKG-NPR75N-HN5AY
PK1011316-02 FRAME



LS-1800-2-42423 UPPER,LOWER ISUZU PKG-NPR75N-HN5AY
PL1250074-00 VALVE,CONTROL

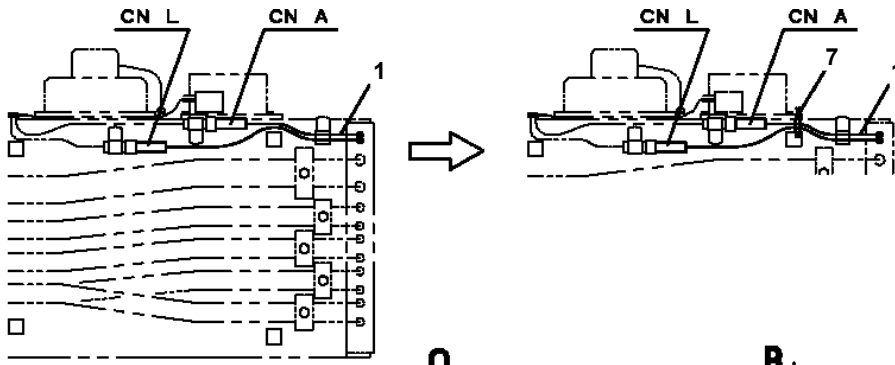


LS-1800-2-42423 UPPER,LOWER ISUZU PKG-NPR75N-HN5AY
PL5020122-00 LAMP ASSY

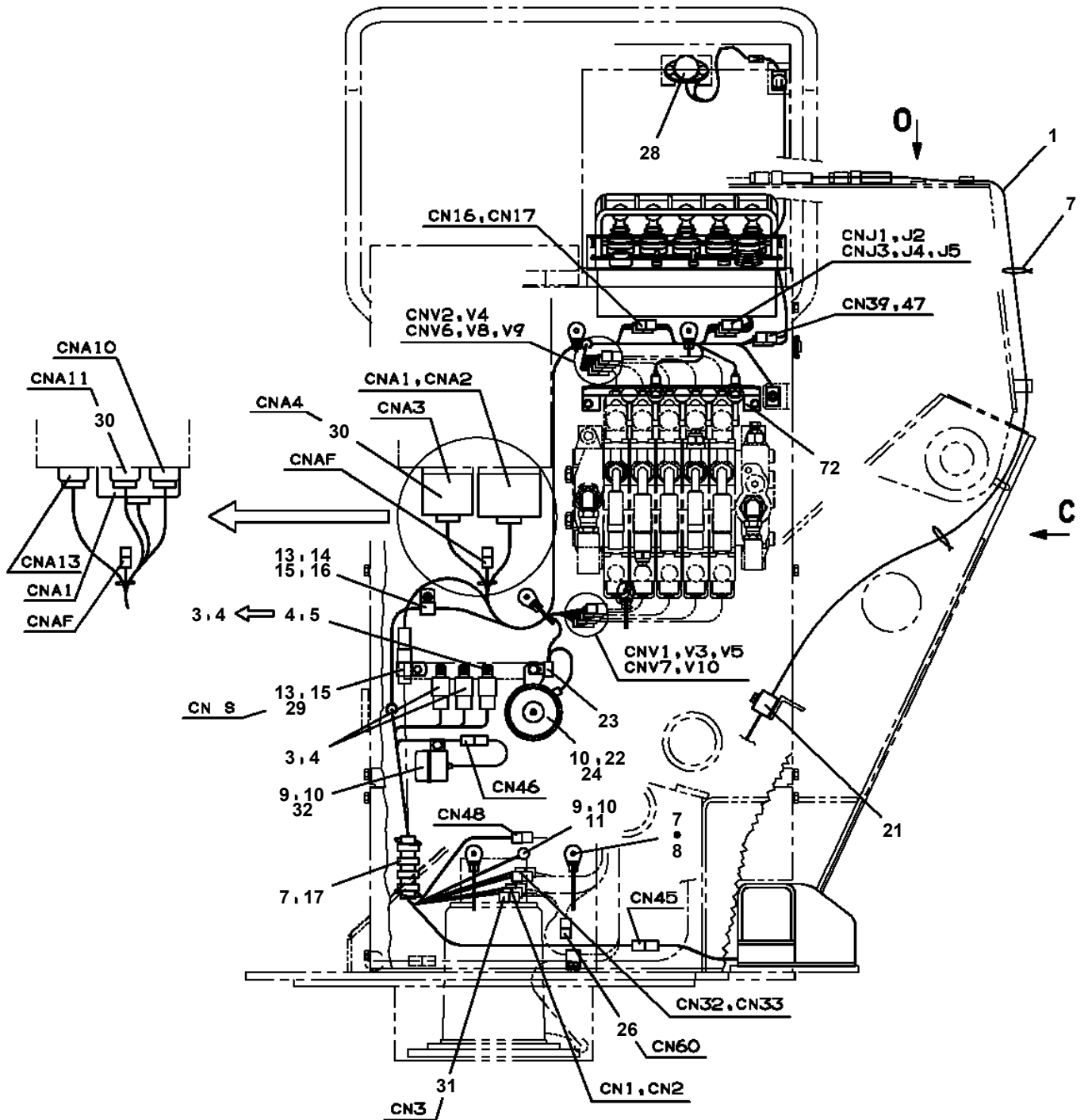


配線詳細図

**LS-1800-2-42423 UPPER,LOWER ISUZU PKG-NPR75N-HN5AY
PN1014104-06 ELEC.ASSY (SWING FRAME)**

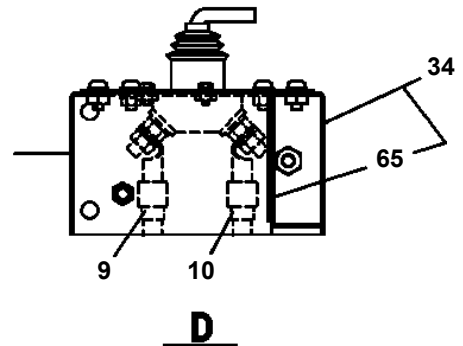
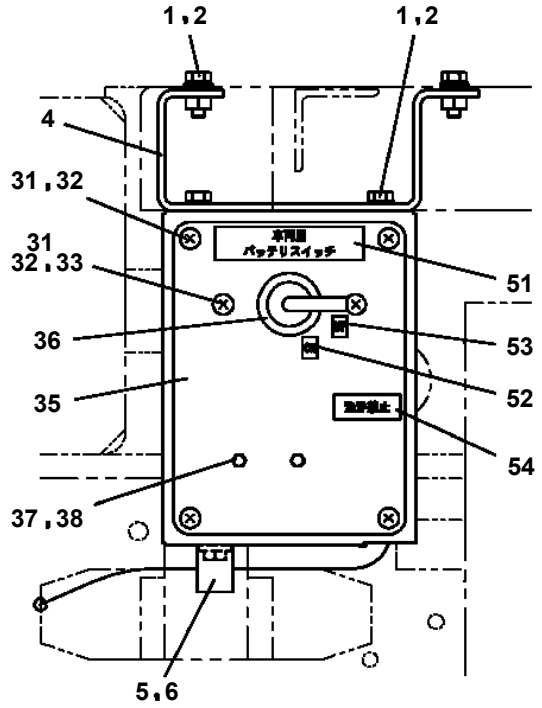
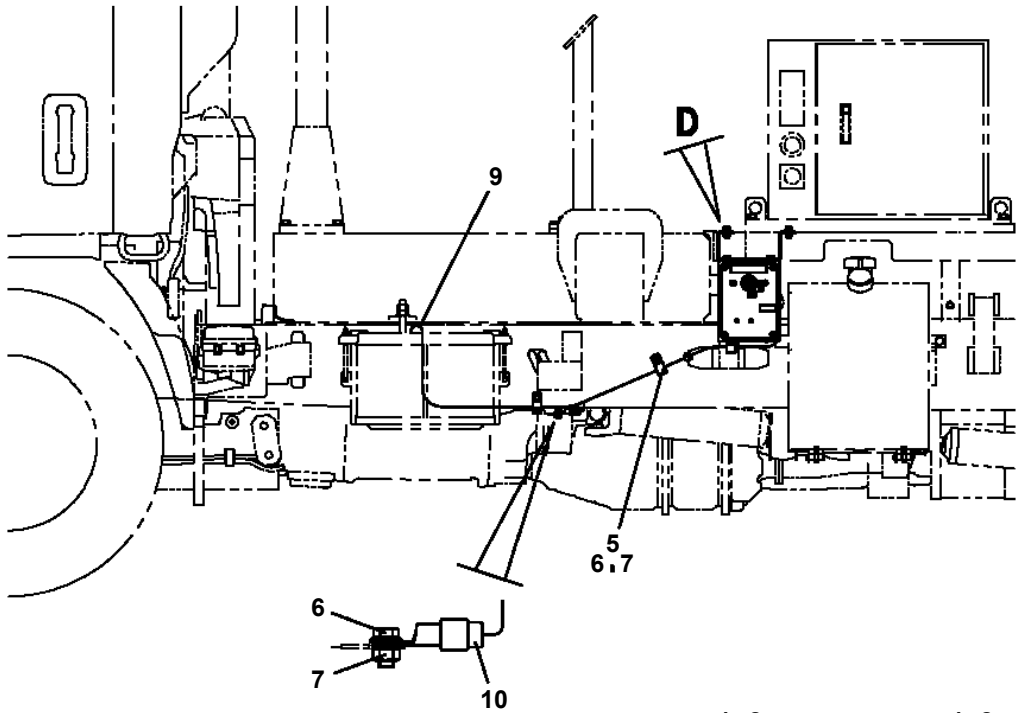


O **B**



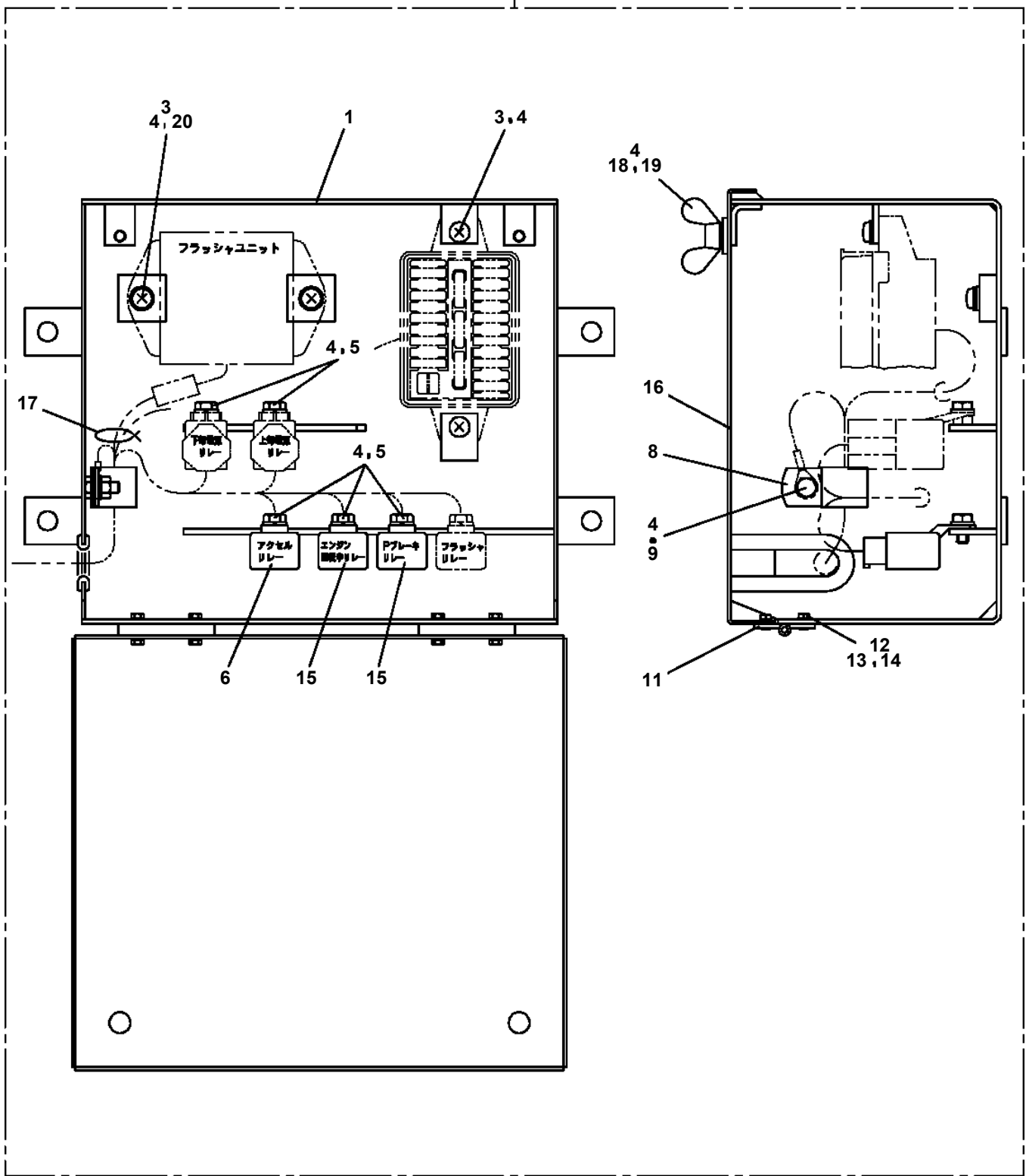
LS-1800-2-42423 UPPER,LOWER ISUZU PKG-NPR75N-HN5AY
 PN1020067-01 POWER SOURCE

FRONT ←



LS-1800-2-42423 UPPER,LOWER ISUZU PKG-NPR75N-HN5AY
 PN1100036-00 RELAY BOX

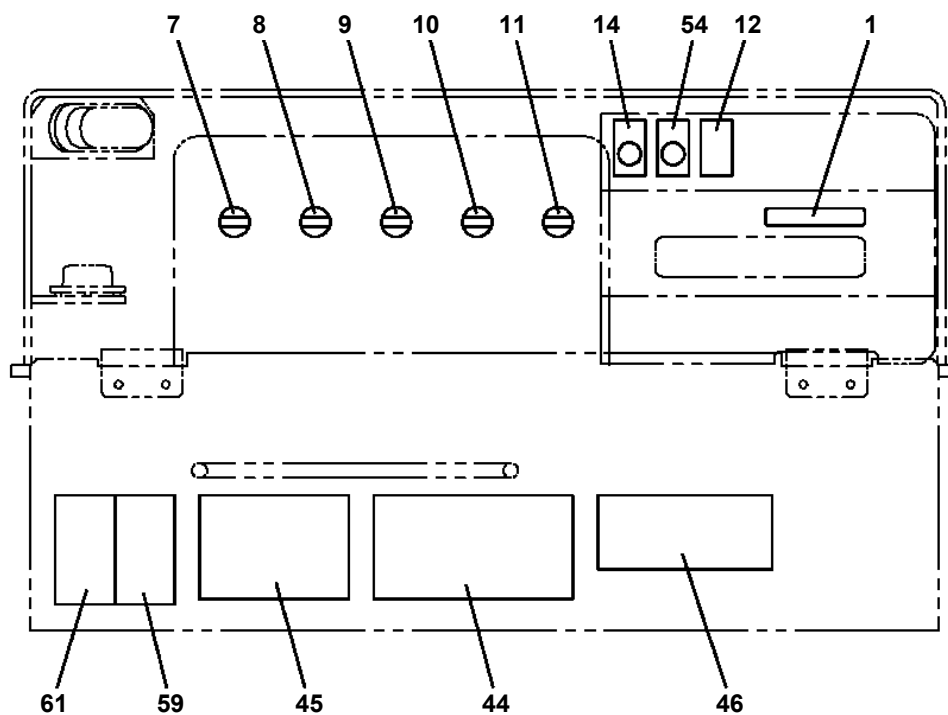
100



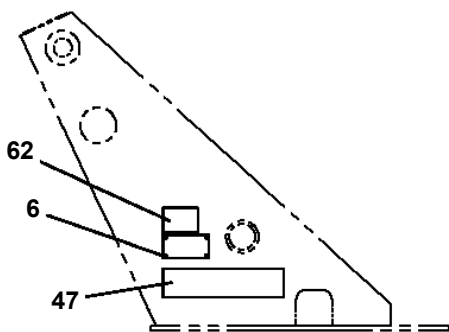
LS-1800-2-42423 UPPER,LOWER ISUZU PKG-NPR75N-HN5AY

Pos No.	Parts No	Parts Name	Qty	Unit	Technical Data	Serial No (Start)	Serial No (End)	Remarks	Pages
1	37002222390	PLATE,NAME	1						
4	42805473050	PLATE,CAUTION	1						
5	42941480230	PLATE,NAME	1						
6	42397662100	PLATE,NAME	1						
7	42399082010	PLATE,NAME	1						
8	42397662300	PLATE,CAUTION	1						
9	42394412040	PLATE,CAUTION	1						
10	42394472040	PLATE,NAME	1						
11	42397662400	PLATE,NAME	1						

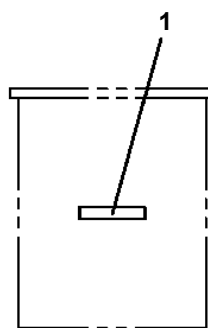
LS-1800-2-42423 UPPER,LOWER ISUZU PKG-NPR75N-HN5AY
 PO1015040-01 PLATE ASSY,NAME (UPPER)



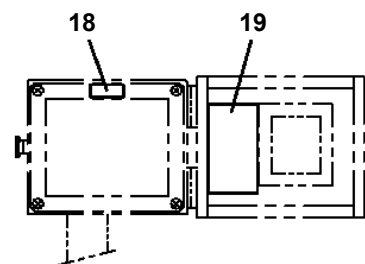
C



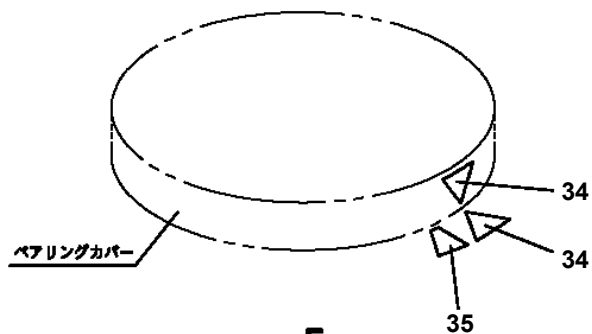
I



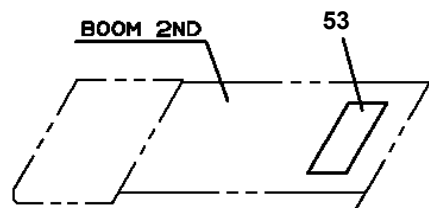
AMC本体



J
 扉を開いた状態



F



LS-1800-2-42423 UPPER,LOWER ISUZU PKG-NPR75N-HN5AY

Pos No.	Parts No	Parts Name	Qty	Unit	Technical Data	Serial No (Start)	Serial No (End)
1	42653451100	PANEL	1				
2	42653451201	INDICATOR ASSY,OUTRIGGER	1				
3	80192486014	SCREW,MACHINE (WITH WASHER)	4		M6X14		
4	90302040601	WASHER,SPRING	4		6		
5	90201200600	NUT	4		M6		
6	42736070100	SWITCH ASSY (WITH HARNESS)	3				
7	82199504017	NUT	3		AT-401N		
8	82197518114	CAP (MATSUSHITA/BLACK)	3				
	82197518119	CAP (PLUS ONE MFG./BLACK)	3				
9	44320516500	PLUG (12 POLES,FEMALE)	1				
10	42352970010	PLUG (14 POLES,FEMALE)	1				
11	82198300302	PLUG	1				
31	42652802001	INDICATOR,OUTRIGGER	1				
32	42653451210	PLATE,NAME	1				
100	42653451001	PANEL ASSY,CONTROL	1				

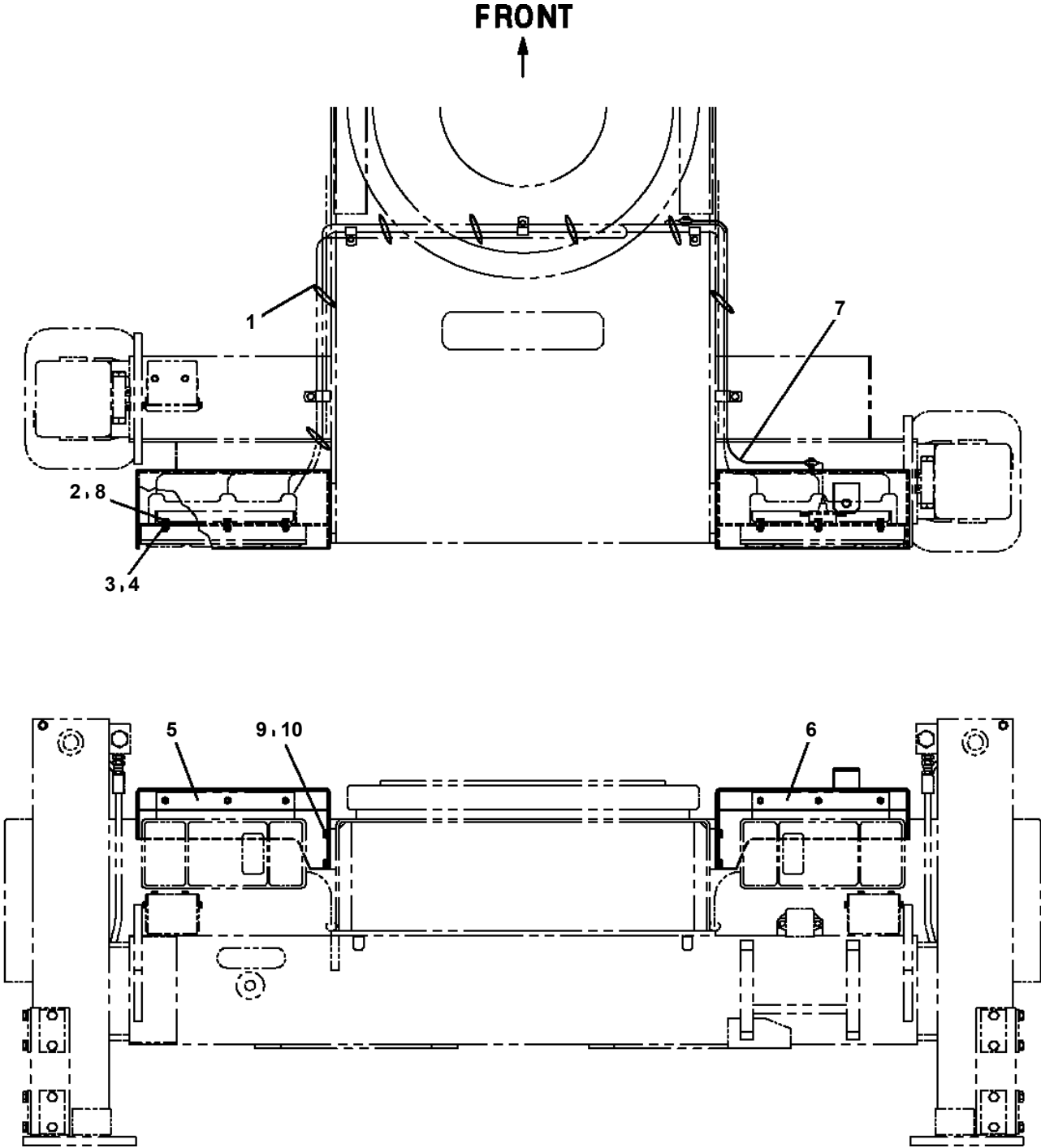
LS-1800-2-42423 UPPER,LOWER ISUZU PKG-NPR75N-HN5AY

Pos No.	Parts No	Parts Name	Qty	Unit	Technical Data	Serial No (Start)	Serial No (End)	Remarks	Page
5	50815054503	PACKING	2						
6	36624970600	SPRING	2						
7	91002801800	O-RING	2		1B P18				
8	50815054703	PIN (STOP)	2						
9	36623835900	PLUG	2						
10	36624971100	SPACER	2						
100	36625000000	VALVE ASSY,CHECK	1						

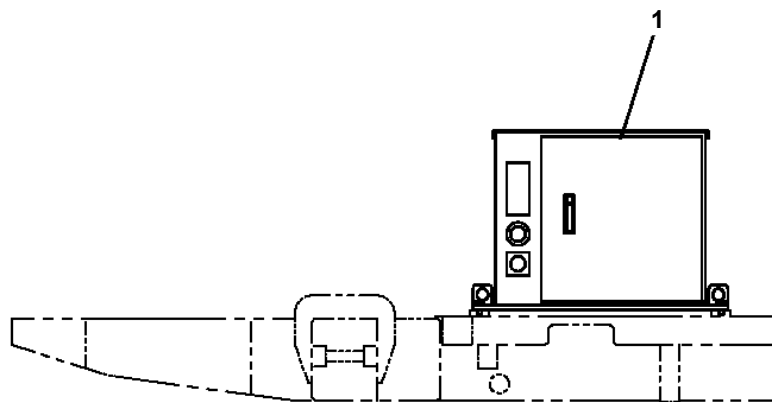
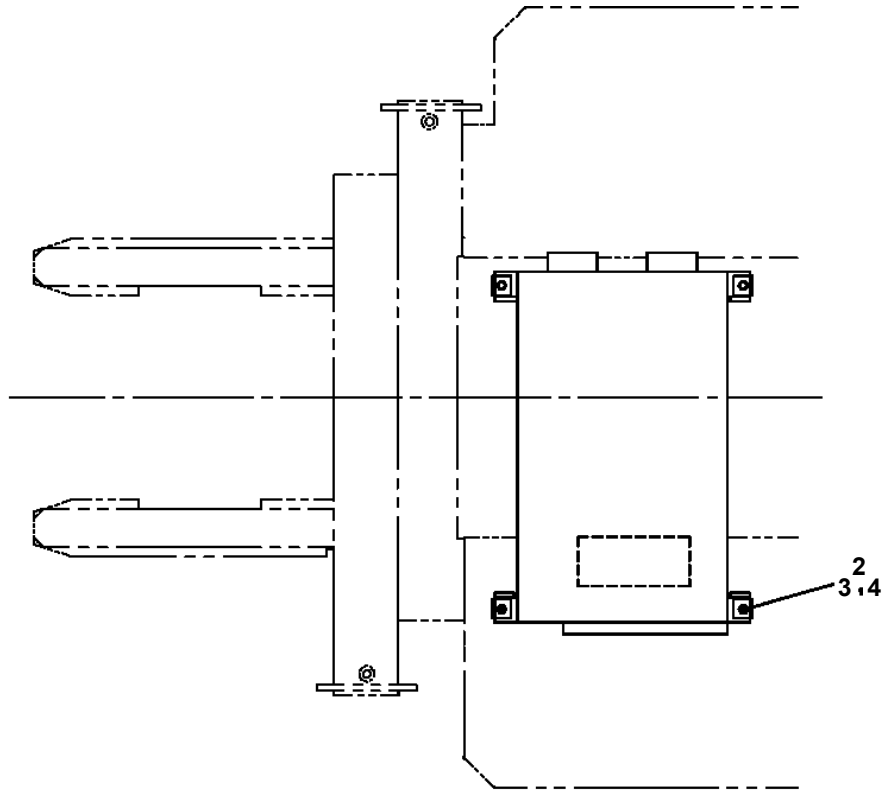
LS-1800-2-42423 UPPER,LOWER ISUZU PKG-NPR75N-HN5AY

Pos No.	Parts No	Parts Name	Qty	Unit	Technical Data	Serial No (Start)	Serial No (End)	Remarks	Pages
1	42875351000	SUPPORT	1						
2	90171112022	BOLT	8		M12X22				
3	90302041201	WASHER,SPRING	8		12				
4	42873270200	SUPPORT	1						
5	90101210055	BOLT	8		M10X55				
6	90302041001	WASHER,SPRING	8		10				
7	90303071001	WASHER,PLAIN	8		10				
8	42873150200	CUSHION	2						
9	90101208025	BOLT	4		M8X25				
10	90302040801	WASHER,SPRING	4		8				
11	37000572420	PLATE	N		T=0.5				
12	37000572430	PLATE	N		T=1.0				
13	37000572440	PLATE	N		T=3.0				
14	42873270300	PLATE	N		T=1.0				
15	37000575980	PLATE	4						
33	42872870130	RUBBER	2		T=9				
45	42872870450	RUBBER	2		T=6				

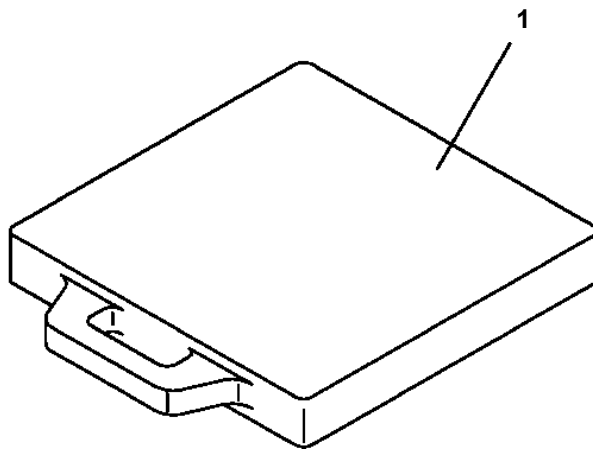
LS-1800-2-42423 UPPER,LOWER ISUZU PKG-NPR75N-HN5AY
PX1310258-00 MOUNT,LAMP (TAIL)



LS-1800-2-42423 UPPER,LOWER ISUZU PKG-NPR75N-HN5AY
PX1640007-00 BOARD (SWITCH BOARD)



**LS-1800-2-42423 UPPER,LOWER ISUZU PKG-NPR75N-HN5AY
PY1930005-00 BLOCK,RUBBER (NAKAMURA)**



CLICK HERE TO **DOWNLOAD** THE COMPLETE MANUAL

- Thank you very much for reading the preview of the manual.
- You can download the complete manual from: www.heydownloads.com by clicking the link below



- Please note: If there is no response to CLICKING the link, please download this PDF first and then click on it.

CLICK HERE TO **DOWNLOAD** THE COMPLETE MANUAL